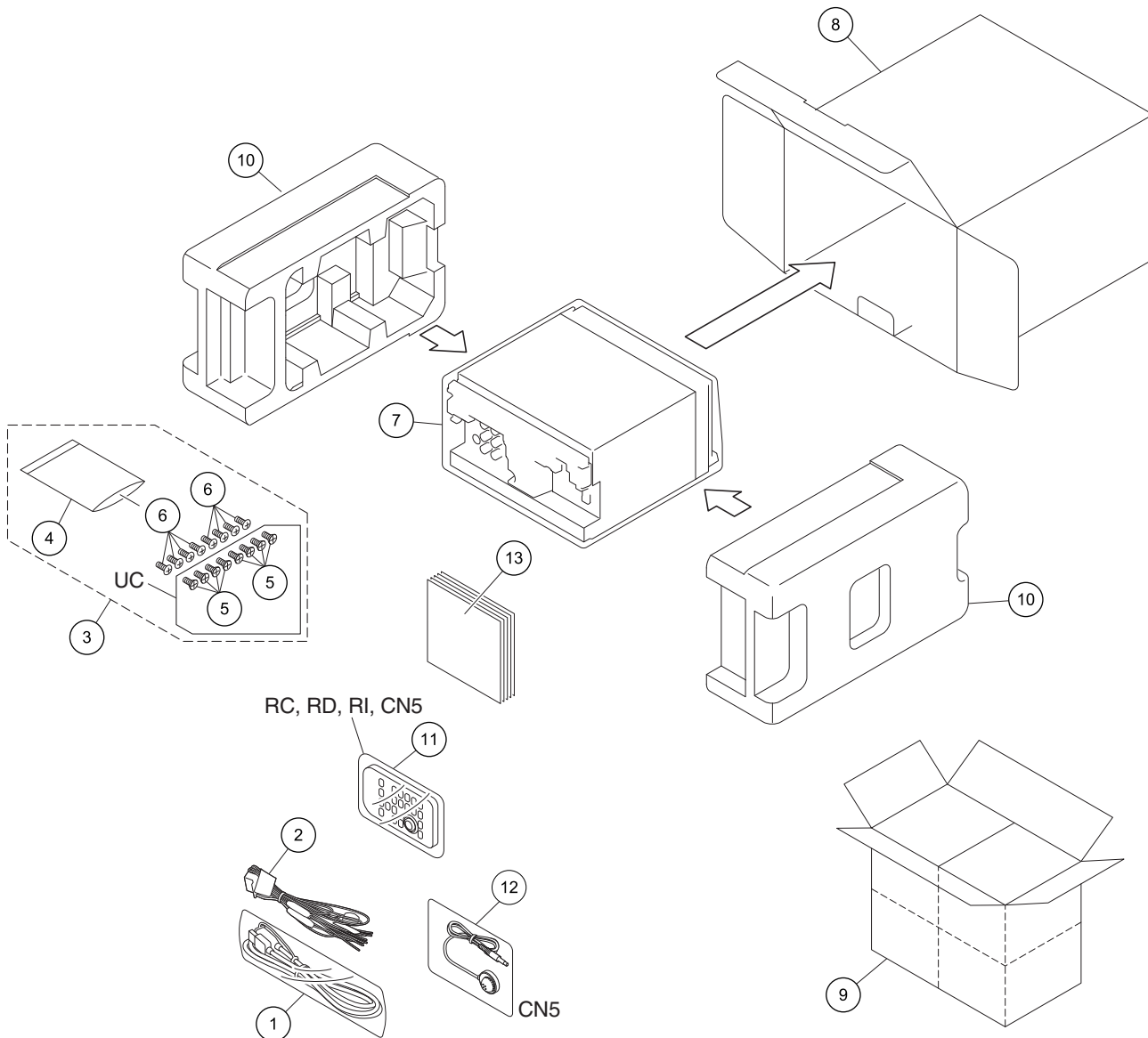


9. EXPLODED VIEWS AND PARTS LIST

NOTES : • Parts marked by " * " are generally unavailable because they are not in our Master Spare Parts List.

- The \triangle mark found on some component parts indicates the importance of the safety factor of the part. Therefore, when replacing, be sure to use parts of identical designation.
- Screw adjacent to ∇ mark on the product are used for disassembly.
- For the applying amount of lubricants or glue, follow the instructions in this manual.
(In the case of no amount instructions, apply as you think it appropriate.)

9.1 PACKING



(1) PACKING SECTION PARTS LIST

<u>Mark No.</u>	<u>Description</u>	<u>Part No.</u>	<u>Mark No.</u>	<u>Description</u>	<u>Part No.</u>
1	Cord Assy	See Contrast table (2)	10	Protector	CHP3951
2	Cord Assy	CDP1301			
3	Screw Assy	See Contrast table (2)	11	Remote Control Unit	See Contrast table (2)
* 4	Polyethylene Bag	CEG-127	12	Microphone Assy	See Contrast table (2)
5	Screw	See Contrast table (2)	13-1	Owner's Manual	See Contrast table (2)
			13-2	Owner's Manual	See Contrast table (2)
6	Screw	TRZ50P080FTC	13-3	Owner's Manual	See Contrast table (2)
7	Polyethylene Bag	See Contrast table (2)			
8	Unit Box	See Contrast table (2)	13-4	Installation Manual	See Contrast table (2)
9	Contain Box	See Contrast table (2)	* 13-5	Warranty Card	See Contrast table (2)

(2) CONTRAST TABLE

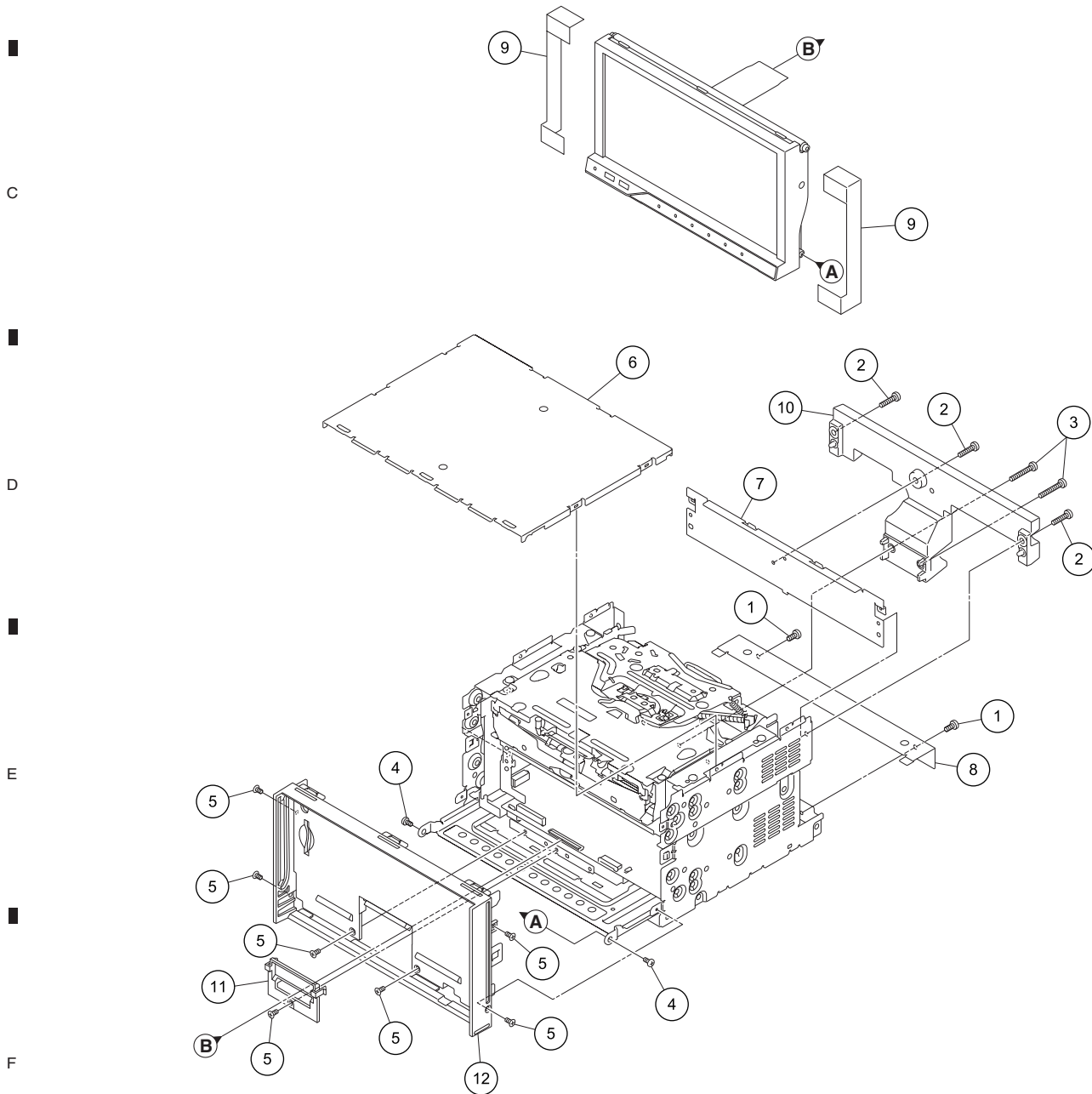
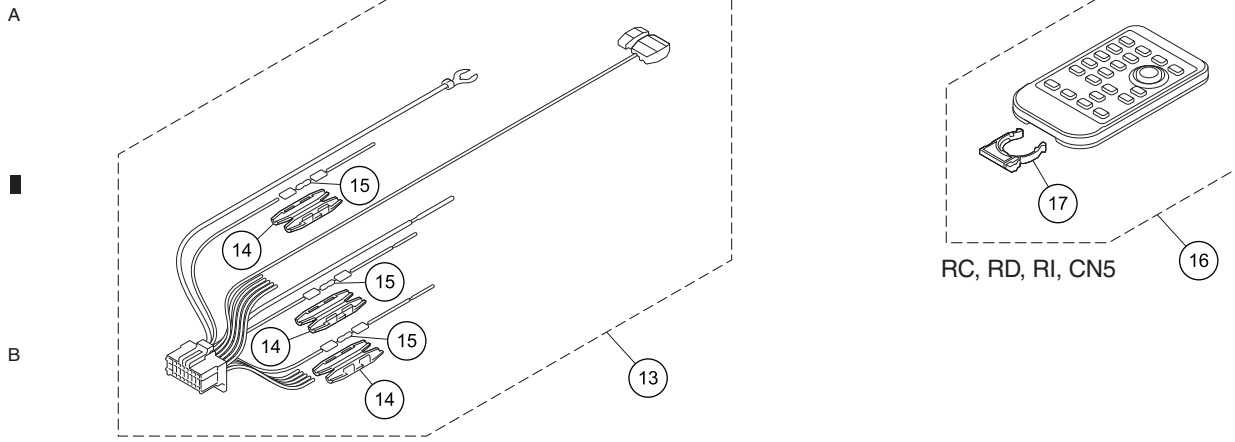
AVH-P4200DVD/XNUC, AVH-P4250DVD/XNRC, AVH-P4250DVD/XNRD, AVH-P4250DVD/XNRI and AVH-P4250DVD/XNCN5 are constructed the same except for the following:

Mark	No.	Description	AVH-P4200DVD/XNUC	AVH-P4250DVD/XNRC	AVH-P4250DVD/XNRD	AVH-P4250DVD/XNRI	AVH-P4250DVD/XNCN5
	1	Cord Assy	CDP1219	CDP1040	CDP1040	CDP1040	CDP1040
	3	Screw Assy	CEA3559	CEC3542	CEC3542	CEC3542	CEC3542
	5	Screw	CRZ50P090FTC	Not used	Not used	Not used	Not used
	7	Polyethylene Bag	CEG1402	CEG1401	CEG1401	CEG1401	CEG1401
	8	Unit Box	CHG7159	CHG7160	CHG7161	CHG7162	CHG7163
	9	Contain Box	CHL7159	CHL7160	CHL7161	CHL7162	CHL7163
	11	Remote Control Unit	Not Used	CXE2833	CXE2833	CXE2833	CXE2833
	12	Microphone Assy	Not Used	Not Used	Not Used	Not Used	CPM1086
	13-1	Owner's Manual	CRB3174	CRB3177	CRB3180	CRB3177	CRB3183
	13-2	Owner's Manual	CRB3175	CRB3178	CRB3181	CRB3182	Not used
	13-3	Owner's Manual	CRB3176	CRB3179	CRB3276	Not used	Not used
	13-4	Installation Manual	CRD4452	CRD4453	CRD4454	CRD4455	Not used
*	13-5	Warranty Card	CRY1276	Not used	Not used	Not used	YRY5002

Owner's Manual, Installation Manual

Part No.	Language
CRB3174	English
CRB3175	French
CRB3176	Spanish(Espanol)
CRD4452	English, French, Spanish(Espanol)
CRB3177	English
CRB3178	Traditional Chinese
CRB3179	Korean
CRD4453	English, Traditional Chinese, Korean
CRB3276	English
CRB3180	Spanish(Espanol)
CRB3181	Portuguese(B)
CRD4454	English, Spanish(Espanol), Portuguese(B)
CRB3182	Arabic
CRD4455	English, Arabic
CRB3183	Simplified Chinese

9.2 EXTERIOR(1)



(1) EXTERIOR(1) SECTION PARTS LIST

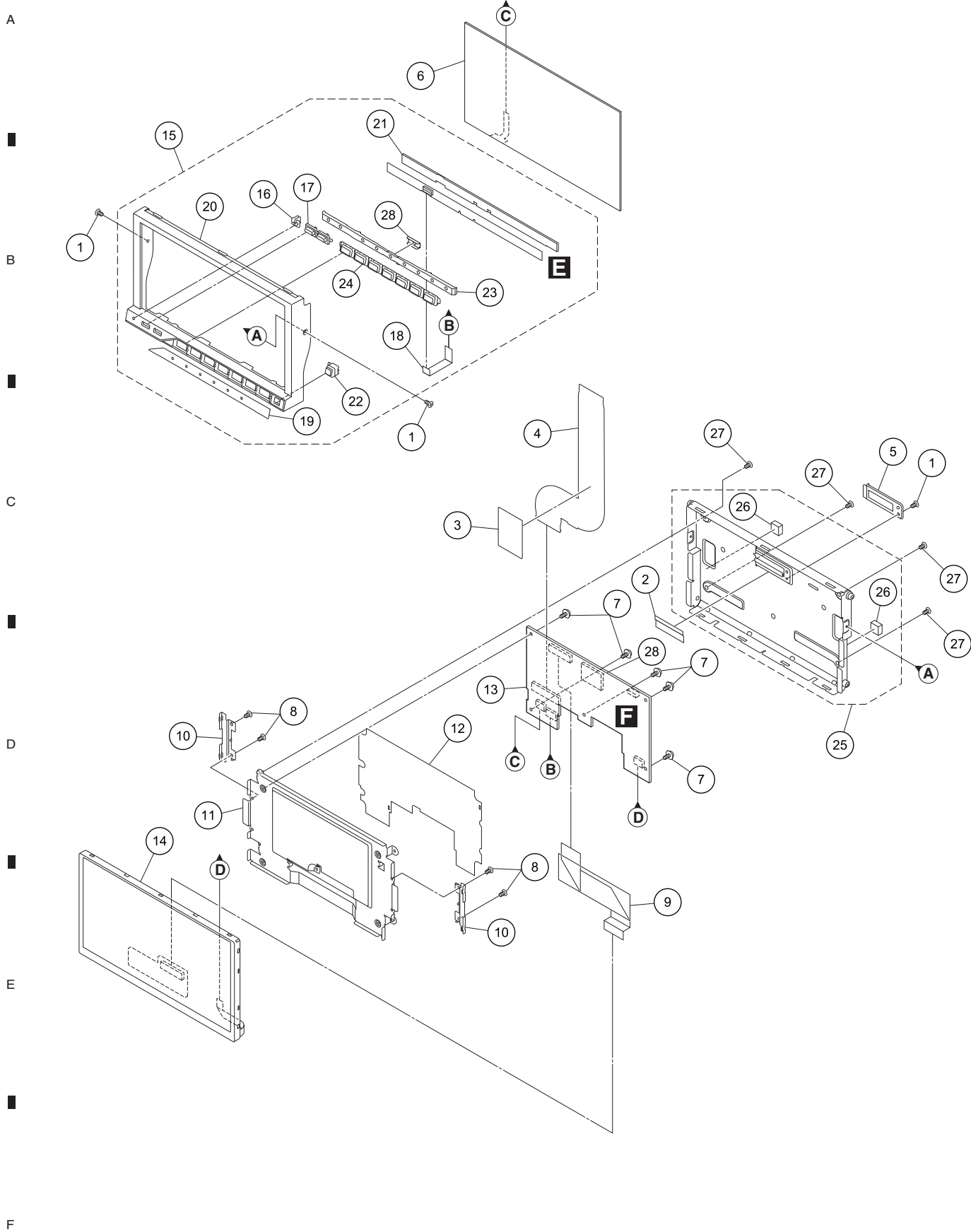
<u>Mark No.</u>	<u>Description</u>	<u>Part No.</u>	<u>Mark No.</u>	<u>Description</u>	<u>Part No.</u>
1	Screw	BMZ26P040FTC	10	Heat Sink	CNR2052
2	Screw	BSZ26P100FTC	11	Cover	CNW1450
3	Screw	BSZ26P160FTC	12	Panel Unit	See Contrast table (2)
4	Screw	CBA1735	13	Cord Assy	CDP1301
5	Screw(M2 x 3)	CBA1877	14	Cap	CNS1472
6	Case	CNB3543	15	Resistor	RS1/2PMF102J
7	Holder	CND4809	16	Remote Control Unit	See Contrast table (2)
8	Bracket	CND5471	17	Cover	See Contrast table (2)
9	Sheet	CNN3089			

(2) CONTRAST TABLE

AVH-P4200DVD/XNUC, AVH-P4250DVD/XNRC, AVH-P4250DVD/XNRD, AVH-P4250DVD/XNRI and AVH-P4250DVD/XNCN5 are constructed the same except for the following:

<u>Mark</u>	<u>No.</u>	<u>Description</u>	<u>AVH-P4200DVD/XNUC</u>	<u>AVH-P4250DVD/XNRC</u>	<u>AVH-P4250DVD/XNRD</u>	<u>AVH-P4250DVD/XNRI</u>	<u>AVH-P4250DVD/XNCN5</u>
	12	Panel Unit	CXE2608	CXE2917	CXE2917	CXE2917	CXE2917
	16	Remote Control Unit	Not Used	CXE2833	CXE2833	CXE2833	CXE2833
	17	Cover	Not Used	CZN5357	CZN5357	CZN5357	CZN5357

9.3 EXTERIOR(2)



(1) EXTERIOR(2) SECTION PARTS LIST

<u>Mark No.</u>	<u>Description</u>	<u>Part No.</u>	<u>Mark No.</u>	<u>Description</u>	<u>Part No.</u>
1	Screw(M2 x 3)	CBA1877	16	Button(RESET)	CAI2199
2	Cover	CNN3216	17	Button(MENU, MODE)	CAI2716
3	Cover	CNN3217	18	FFC	CDE9217
4	Flexible PCB	CNQ3509	19	Plate	CNN3203
5	Cover	CNW1449	20	Grille	See Contrast table (2)
6	Touch Panel	CSX1152	21	Holder	CNU1092
7	Screw	AMZ20P030FTC	22	Lighting Conductor	CNW1769
8	Screw(M2 x 2)	CBA1771	23	Lighting Conductor	CNW1770
9	FFC	CDE9139	24	Button Unit	CXE2605
10	Holder	CND4805	25	Case Unit	CXE2607
11	Holder	CND5461	26	Cushion	CNN1325
12	Insulator	CNN3205	27	Screw	IMS20P030FTC
13	Service Unit(Monitor PCB)	See Contrast table (2)	28	Cushion	See Contrast table (2)
14	LCD	CWX3867			
15	Grille Assy	See Contrast table (2)			

(2) CONTRAST TABLE

AVH-P4200DVD/XNUC, AVH-P4250DVD/XNRC, AVH-P4250DVD/XNRD, AVH-P4250DVD/XNRI and AVH-P4250DVD/XNCN5 are constructed the same except for the following:

<u>Mark</u>	<u>No.</u>	<u>Description</u>	<u>AVH-P4200DVD/XNUC</u>	<u>AVH-P4250DVD/XNRC</u>	<u>AVH-P4250DVD/XNRD</u>	<u>AVH-P4250DVD/XNRI</u>	<u>AVH-P4250DVD/XNCN5</u>
	13	Service Unit(Monitor PCB)	CXX2775	CXX2775	CXX2775	CXX2775	CXX2776
	15	Grille Assy	CXE2467	CXE2468	CXE2468	CXE2468	CXE2468
	20	Grille	CNU1090	CNU1174	CNU1174	CNU1174	CNU1174
	28	Cushion	Not used	CNN3446	CNN3446	CNN3446	Not used

9.4 EXTERIOR(3)

A

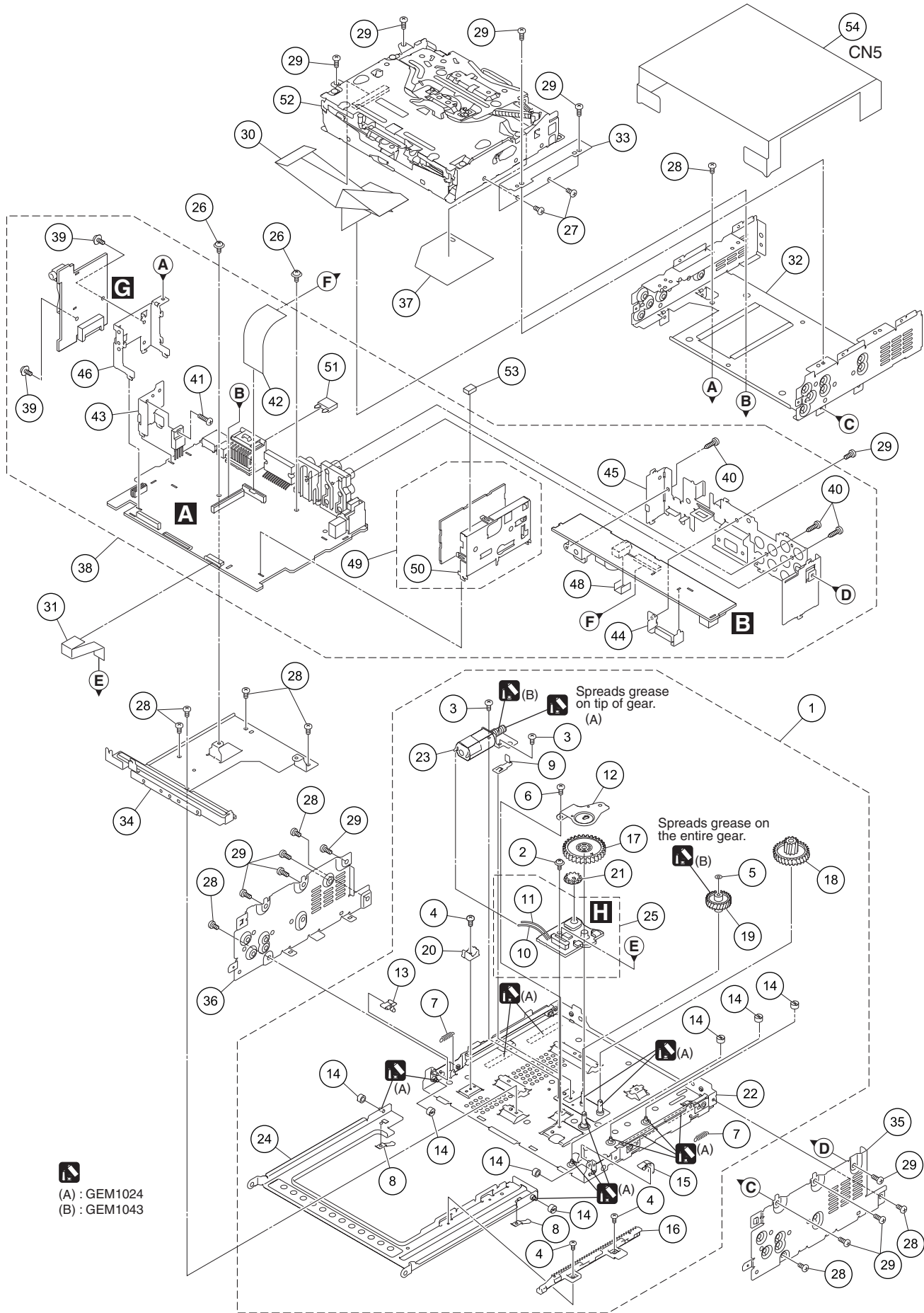
B

C

D

E

F



(1) EXTERIOR(3) SECTION PARTS LIST

<u>Mark No.</u>	<u>Description</u>	<u>Part No.</u>	<u>Mark No.</u>	<u>Description</u>	<u>Part No.</u>
1	Drive Unit	CXE1522	28	Screw	BMZ26P040FTC
2	Screw	AMZ26P030FTC	29	Screw	BSZ26P060FTC
3	Screw	BMZ20P020FTC	30	FFC	CDE9120
4	Screw(M2 x 2)	CBA1527			
5	Washer	CBF1039	31	FFC	CDE9122
			32	Chassis	CNA3157
6	Screw	EBA1051	33	Holder	CND4810
7	Spring	EBH1684	34	Bracket	CND5466
8	Spring	EBL1033	35	Bracket	CND5467
9	Spring	EBL1034			
10	Cord(Purple)	EDC1026	36	Bracket	CND5468
			37	Insulator	CNN2764
11	Cord(Green)	EDC1027	38	Service Unit(Mother Assy)	See Contrast table (2)
12	Bracket	ENC1604	39	Screw	ASZ26P050FTC
13	Arm	ENV1615	40	Screw	BPZ26P080FTC
14	Roller	ENV1619			
15	Arm	ENV1623	41	Screw	BSZ26P060FTC
			42	FFC	CDE8747
16	Rack	ENV1629	43	Holder	CND4811
17	Gear	ENV1630	44	Holder	CND4814
18	Gear	ENV1631	45	Holder	See Contrast table (2)
19	Gear	ENV1632			
20	Holder	ENV1634	46	Holder	CND5475
			47	
21	Gear	ENV1635	48	Insulator	CNN2307
22	Chassis Unit	EXA1688	49	FM/AM Tuner Unit	See Contrast table (2)
23	Motor Unit	EXA1692	50	Holder	CND4324
24	Frame Unit	EXA1693			
25	PCB Assy(Service)	EXX1060	⚠ 51	Fuse(10 A)	YEK5001
			52	DVD Mechanism Module(LS1)	CXK6811
26	Screw	ASZ26P050FTC	53	Gasket	CNN3364
27	Screw	BMZ25P040FTB	54	Sheet	See Contrast table (2)

(2) CONTRAST TABLE

AVH-P4200DVD/XNUC, AVH-P4250DVD/XNRC, AVH-P4250DVD/XNRD, AVH-P4250DVD/XNRI and AVH-P4250DVD/XNCN5 are constructed the same except for the following:

Mark	No.	Description	AVH-P4200DVD/XNUC	AVH-P4250DVD/XNRC	AVH-P4250DVD/XNRD	AVH-P4250DVD/XNRI	AVH-P4250DVD/XNCN5
	38	Service Unit(Mother Assy)	CXX2772	CXX2769	CXX2770	CXX2771	CXX2774
	45	Holder	CND5571	CND5472	CND5472	CND5472	CND5472
	49	FM/AM Tuner Unit	CWE2097	CWE2098	CWE2098	CWE2098	CWE2098
	54	Sheet	Not Used	Not Used	Not Used	Not Used	CNN3003

* Sheet (No.54 : CNN3003) is NOT reusable. If you remove it, please replace it with the new one.

9.5 DVD MECHANISM MODULE

A

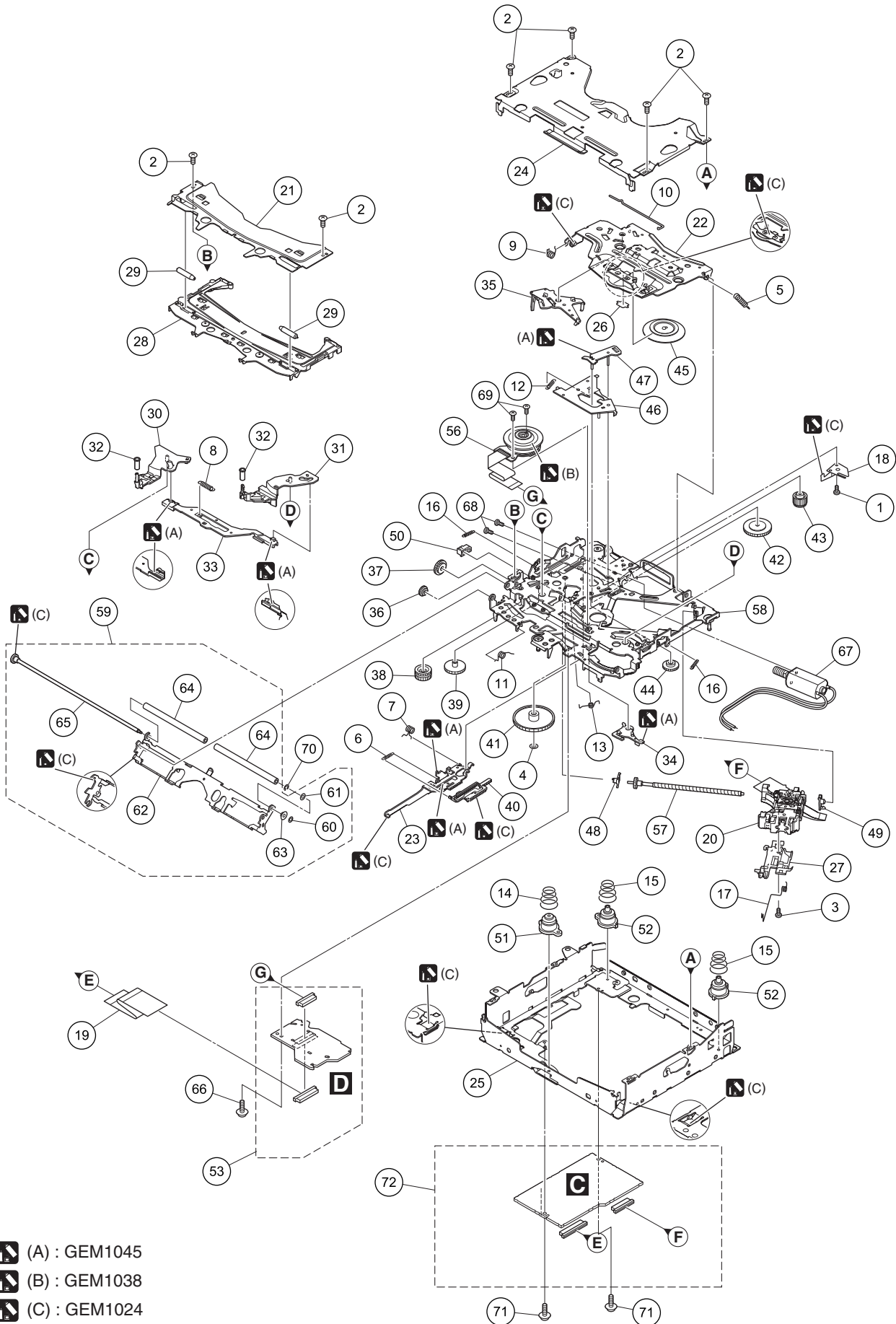
B

C

D

E

F



- (A) : GEM1045
- (B) : GEM1038
- (C) : GEM1024

DVD MECHANISM MODULE SECTION PARTS LIST

<u>Mark No.</u>	<u>Description</u>	<u>Part No.</u>	<u>Mark No.</u>	<u>Description</u>	<u>Part No.</u>	
1	Screw	BMZ20P020FTC	50	Holder	CNW1195	
2	Screw	BSZ20P040FTC				
3	Screw(M2 x 4)	CBA1835	51	Damper	CNW1197	A
4	Washer	CBF1038	52	Damper	CNW1198	
5	Spring	CBH2860	*	Connect PCB Unit	CWX3618	
			54		
6	Spring	CBH3010	55		
7	Spring	CBH3011				
8	Spring	CBH3012	56	Motor(M2)(SPINDLE)	EXM1050	
9	Spring	CBH3013	57	Screw Unit	CXC8894	
10	Spring	CBH3014	58	Chassis Unit	CXC8895	
			59	Arm Assy	CXC8896	
11	Spring	CBH3015	60	Washer	CBF1037	B
12	Spring	CBH3016				
13	Spring	CBH3017	61	Washer	CBF1038	
14	Spring	CBH3018	62	Arm	CND4554	
15	Spring	CBH3019	63	Collar	CNV6906	
			64	Roller	CNW1196	
16	Spring	CBH3020	65	Gear Unit	CXC8893	
17	Spring	CBH3030				
18	Plate Spring	CBL1797	66	Screw	IMS20P030FTC	
19	Cable	CDE8631	67	Motor Unit(M1)(LOAD/CRG)	CXC4026	
20	Pickup Unit(Service)	CXX2398	68	Screw	JFZ20P025FTC	
			69	Screw	JGZ17P022FTC	C
21	Bracket	CND4553	70	Washer	YE15FTC	
22	Arm	CND4555				
23	Lever	CND5398	71	Screw	IMS20P030FTC	
24	Frame	CND4557	72	DVD Core Unit	YWX5013	
25	Frame	CND4558				
26	Sheet	CNN2280				
27	Rack	CNW1170				
28	Guide	CNW1171				
29	Roller	CNW1172				
30	Arm	CNW1173				D
31	Arm	CNW1174				
32	Roller	CNW1175				
33	Lever	CNW1176				
34	Arm	CNW1177				
35	Arm	CNW1178				
36	Gear	CNW1180				
37	Gear	CNW1181				
38	Gear	CNW1182				E
39	Gear	CNW1183				
40	Rack	CNW1184				
41	Gear	CNW1185				
42	Gear	CNW1186				
43	Gear	CNW1187				
44	Gear	CNW1188				
45	Clamper	CNW1190				
46	Arm	CNW1191				
47	Arm	CNW1192				F
48	Holder	CNW1193				
49	Holder	CNW1194				

12. ELECTRICAL PARTS LIST

NOTE:

- Parts whose parts numbers are omitted are subject to being not supplied.
- The part numbers shown below indicate chip components.

Chip Resistor

RS1/OS○○○○J,RS1/○○S○○○○J

Chip Capacitor (except for CQS.....)

CKS....., CCS....., CSZS.....

- The \triangle mark found on some component parts indicates the importance of the safety factor of the part. Therefore, when replacing, be sure to use parts of identical designation.
- Meaning of the figures and others in the parentheses in the parts list.

Example) IC 301 is on the point (face A, 91 of x-axis, and 111 of y-axis) of the corresponding PC board.

IC 301 (A, 91, 111) IC NJM2068V

<u>Circuit Symbol and No.</u>	<u>Part No.</u>	<u>Circuit Symbol and No.</u>	<u>Part No.</u>
C:AVH-P4200DVD/XNUC		A	
D:AVH-P4250DVD/XNRC			Unit Number : (C)
E:AVH-P4250DVD/XNRD			Unit Number : (D)
F:AVH-P4250DVD/XNRI			Unit Number : (E)
G:AVH-P4250DVD/XNCN5			Unit Number : (F)
Unit Number : (C)			Unit Number : (G)
Unit Number : (D)			Unit Name : Mother Unit
Unit Number : (E)			
Unit Number : (F)			
Unit Number : (G)			
Unit Name : Mother Unit		MISCELLANEOUS	
Unit Number : (C,D,E,F)		IC 151 (A,84,119) IC	PA2030A
Unit Number : (G)		IC 201 (B,111,90) IC	PML020A
Unit Name : Mother Unit		IC 251 (B,140,94) IC	BH7649KS2
Unit Number : (C,D,E,F)		IC 301 (B,93,81) IC	NJM2138V
Unit Number : (G)		IC 331 (A,138,32) IC	HA12241FP
Unit Name : Monitor I/F Unit		IC 341 (B,18,26) IC	BH2227AFV
Unit Number :		IC 541 (B,38,30) IC	R5523N001B
Unit Name : Keyboard Unit		IC 542 (B,38,34) IC	TC7MBL6126SFK
Unit Number : EXX1060		IC 581 (A,35,105) L-MOS And Gate(D,E,F,G)	TC7SET08FUS1
Unit Name : PCB Assy(Service)		IC 601 (B,130,47) IC	S-80827CNNB-B8M
Unit Number : YWX5013		IC 602 (A,130,53) IC(C)	PE5725A8
Unit Name : DVD Core Unit		(A,130,53) IC(D,E,F,G)	PE5727A8
Unit Number :		IC 801 (A,64,38) IC	MN2DS0018MAUB
Unit Name : Connect PCB		IC 802 (A,76,22) Logic IC	TC7SZU04FU
		IC 901 (B,57,40) SDRAM(64M)	K4S641632N-LC75
		IC 921 (B,81,35) Flash ROM Unit(C,D,E,F)	CWW2021
		(B,81,35) Software(G)	CWW2338
		IC 922 (B,81,48) Flash ROM Unit(C,D,E,F)	CWW2020
		(B,81,48) Software(G)	CWW2337
		IC 923 (B,79,23) IC	TC74LCX16373FT
		IC 924 (B,55,23) IC	TC7SZ08FU
		IC 941 (A,64,61) D/A Converter	PCM1753DBQ
C:AVH-P4200DVD/XNUC		IC 951 (A,92,22) IC	341S2162
D:AVH-P4250DVD/XNRC		IC 1001 (B,21,59) IC	S-812C33AUA-C2N
E:AVH-P4250DVD/XNRD		IC 1201 (A,9,82) IC	NJM2388F84
F:AVH-P4250DVD/XNRI		IC 1221 (B,80,59) IC	S-1200B50-M5
G:AVH-P4250DVD/XNCN5		IC 1501 (B,50,70) IC	BD9017KV
		IC 1621 (B,114,70) IC	TK11840L
		IC 1741 (B,151,29) Regulator IC	S-1132B33-U5

	1	2	3	4
	<u>Circuit Symbol and No.</u>	<u>Part No.</u>	<u>Circuit Symbol and No.</u>	<u>Part No.</u>
	IC 1771 (B,27,42) IC	NJM2855DL1-33	D 301 (B,92,75) Diode	RKZ2.4KG(B)
	IC 1791 (A,40,50) IC	PQ012GN01Z	D 361 (A,78,101) Diode	RKZ3.9KG(B2)
A	Q 121 (B,44,96) Transistor	LTC114EUB	D 543 (A,17,106) Diode	HZM6.8Z4MWA
	Q 122 (B,47,90) Transistor	UMX1N	D 561 (A,121,114) Diode	DZ2S068C
	Q 123 (B,21,91) Transistor	UMT1N	D 562 (A,114,113) Diode	DZ2S068C
	Q 124 (B,23,99) Transistor	LTC114EUB	D 563 (A,127,114) Diode	DZ2S068C
	Q 125 (B,44,92) Transistor	LSC4081UB	D 564 (B,106,110) Diode	DZ2S068C
	Q 153 (A,98,109) Transistor	UMH1N	D 581 (A,32,106) Diode(D,E,F,G)	DZ2S068C
	Q 154 (B,79,102) Transistor	LSC4081UB	D 601 (B,127,46) Diode	1SS352
	Q 155 (A,94,109) Transistor	UMD3N	D 602 (B,121,49) Diode	RB751V-40
	Q 161 (A,89,107) Chip Digital Transistor	LTA124EUB	D 603 (B,117,49) Diode	RB501V-40
	Q 162 (A,86,109) Chip Digital Transistor	LTA124EUB	D 771 (A,170,6) LED	SMLE12BC7T
	Q 163 (A,90,111) Transistor	2SC4116	D 981 (B,111,44) Diode	1SS352
B	Q 164 (A,97,100) Transistor	UMD2N	D 1001 (A,12,67) Diode	1SR154-400
	Q 331 (B,76,86) Transistor	UMF23N	D 1002 (A,11,70) Diode	RKZ18KG(B2)
	Q 361 (A,83,107) Transistor	LSA1576UB	D 1501 (B,49,79) Diode	RB551V-30
	Q 363 (A,77,107) Transistor	UMF23N	D 1502 (B,44,59) Diode	RB551V-30
	Q 403 (B,155,37) Transistor(C)	UMH1N	D 1503 (A,34,87) Diode	RB050LA-30
	Q 404 (B,150,47) Transistor(C)	UMH1N	D 1504 (A,34,84) Diode	RB050LA-30
	Q 561 (A,135,111) Transistor	RT3C99M	D 1621 (B,102,70) Diode	HZU13(B1)
	Q 562 (A,144,111) Transistor	RT3C99M	D 1622 (B,109,73) Diode	RB551V-30
	Q 563 (A,153,111) Transistor	RT3C99M	D 1681 (B,133,22) Diode	HZU6R2(B3)
	Q 581 (B,25,105) Transistor(D,E,F,G)	LSA1576UB	D 1682 (B,131,12) Diode	1SR154-400
	Q 601 (B,126,36) Transistor	LSC4081UB	D 1741 (B,151,23) Diode	1SR154-400
C	Q 751 (B,90,70) Transistor	UMD3N	D 1771 (B,30,51) Diode	1SR154-400
	Q 752 (B,85,71) Transistor	RT3C99M	L 101 (A,31,96) Choke Coil 600 uH	CTH1221
	Q 771 (B,164,10) Transistor	2SC4116	L 121 (B,25,87) Chip Coil	BTH1101
	Q 941 (B,92,57) Transistor	UMD3N	L 122 (B,25,97) Chip Coil	BTH1101
	Q 942 (B,98,58) Transistor	RT3C99M	L 123 (B,24,102) Inductor	CTF1295
	Q 951 (A,97,26) Transistor	UMD22N	L 401 (A,151,57) Chip Coil	BTH1100
	Q 981 (B,107,44) Transistor	FMG12	L 402 (A,145,78) Chip Coil	BTH1100
	Q 982 (B,113,35) Transistor	UMF5N	L 403 (B,167,84) Chip Coil	BTH1104
	Q 983 (B,107,35) Transistor	UMF5N	L 541 (B,33,34) Inductor	CTF1713
	Q 1001 (B,17,66) Transistor	2SB1184F5	L 581 (A,30,106) Inductor(D,E,F,G)	CTF1389
	Q 1002 (A,11,74) Transistor	2SD1664	L 582 (B,21,106) Inductor(D,E,F,G)	CTF1379
D	Q 1501 (A,45,81) FET	HAT2210RJ	L 601 (B,123,43) Inductor	CTF1346
	Q 1502 (A,45,64) FET	HAT2210RJ	L 602 (B,139,44) Inductor	CTF1346
	Q 1621 (B,104,72) Transistor	LSC4081UB	L 603 (B,139,54) Inductor	CTF1346
	Q 1622 (B,110,70) FET	RSF014N03	L 604 (B,123,62) Inductor	CTF1346
	Q 1623 (A,120,72) Transistor	LTC143EUB	L 605 (B,120,54) Inductor	CTF1346
	Q 1681 (B,127,18) Transistor	2SD2118	L 801 (A,49,42) Inductor	CTF1743
	Q 1682 (A,124,20) Transistor	LTC114EUB	L 802 (A,54,23) Inductor	CTF1778
	D 101 (B,39,98) Diode	1SR154-400	L 821 (A,64,56) Ferrite Bead	CTF1528
	D 102 (B,39,101) Diode	1SR154-400	L 921 (B,68,45) Inductor	CTF1473
	D 121 (B,47,102) Diode	1SS352	L 922 (B,66,52) Inductor	CTF1473
E	D 122 (B,39,88) Diode	HZU7L(A1)	L 923 (B,55,21) Inductor	CTF1473
	D 123 (B,38,95) Diode	HZU7L(C3)	L 981 (B,116,34) Inductor	CTF1473
	D 124 (B,21,95) Diode	DAN202U	L 1501 (A,57,83) Choke Coil 6.8 uH	CTH1434
	D 125 (B,25,91) Diode	DAN202U	L 1502 (A,54,65) Inductor	CTH1253
	D 126 (B,20,100) Diode	RKZ5.6KG(B2)	L 1503 (A,48,87) Inductor	CTF1661
	D 127 (B,38,93) Diode	RKZ20KG(B2)	L 1504 (A,50,83) Inductor	CTF1661
	D 151 (B,58,101) Diode	1SR154-400	L 1505 (A,46,69) Inductor	CTF1661
	D 152 (B,65,101) Diode	1SR154-400	L 1506 (A,44,58) Inductor	CTF1661
	D 153 (A,101,105) Diode	DAN202U	L 1507 (A,25,83) Choke Coil 10 uH	CTH1446
	D 154 (A,80,110) Diode	1SS352	L 1621 (A,114,71) Inductor	ATH7061
	D 155 (B,75,99) Diode	1SS352	L 1661 (A,162,13) Inductor	CTH1262
F	D 156 (B,74,106) Diode	RKZ8.2KG(B2)	L 1712 (A,84,62) Inductor	CTF1629
	D 161 (A,98,95) Diode	DAN202U	X 601 (A,126,33) Oscillator 3.932 16 MHz	CSS1790
	D 251 (A,127,100) Diode	RB551V-30	X 801 (A,56,57) Oscillator 27 MHz	CSS1791
	D 252 (A,129,100) Diode	RB551V-30	X 802 (A,75,18) Oscillator 48 MHz	CSS1793

5			6			7			8		
<u>Circuit Symbol and No.</u>			<u>Part No.</u>			<u>Circuit Symbol and No.</u>			<u>Part No.</u>		
P 401	(B,169,82)	Surge Protector	IMSA-6802-01Y900	R 206	(B,114,100)	RS1/16SS182J	R 207	(B,105,100)	RS1/16SS182J		
△P521	(A,78,98)	Poly Switch	MINISMDC075F/24	R 208	(A,116,103)	RS1/16SS272J	R 209	(A,105,104)	RS1/16SS272J	A	
△P561	(A,104,111)	Poly Switch	MINISMDC075F/24	R 223	(B,102,84)	RS1/16SS473J	R 227	(B,122,85)	RS1/16SS272J		
△P564	(A,157,104)	Poly Switch	MINISMDC075F/24	R 228	(B,122,82)	RS1/16SS272J	R 229	(B,122,83)	RS1/16SS562J		
△P1501	(B,26,77)	Fuse 6.3 A	CEK1262	R 253	(B,141,103)	RS1/16SS471J	R 254	(B,144,103)	RS1/16SS471J		
△P1611	(A,72,60)	Fuse 2.5 A	CEK1285	R 255	(B,146,103)	RS1/16SS471J	R 256	(B,127,92)	RS1/16SS471J		
△P1641	(A,135,16)	Fuse 2.5 A	CEK1285	R 257	(B,127,91)	RS1/16SS471J	R 259	(A,129,95)	RS1/16SS75R0F	B	
△P1651	(A,155,19)	Fuse 1.5 A	CEK1282	R 260	(B,127,101)	RS1/16SS471J	R 261	(B,127,100)	RS1/16SS471J		
△P1711	(A,71,69)	Fuse 1.25 A	CEK1281	R 262	(B,149,100)	RS1/16SS471J	R 263	(B,150,100)	RS1/16SS471J		
△P1721	(A,73,55)	Fuse 2 A	CEK1284	R 264	(B,151,100)	RS1/16SS471J	R 265	(B,127,94)	RS1/16SS471J		
△P1731	(A,144,11)	Fuse 1.75 A	CEK1283	R 266	(B,127,95)	RS1/16SS471J	R 301	(B,87,78)	RS1/16SS472J		
CN501	(A,126,8)	Connector	CKS6095	R 302	(B,87,79)	RS1/16SS273J	R 303	(A,98,75)	RS1/16SS472J	C	
CN511	(A,87,8)	Connector	DKN1385	R 304	(B,100,79)	RS1/16SS472J	R 305	(B,87,82)	RS1/16SS472J		
CN521	(A,86,90)	Connector	CKS6051	R 306	(B,87,80)	RS1/16SS472J	R 307	(A,90,75)	RS1/16SS273J		
CN542	(A,17,117)	Connector	CKS5669	R 308	(A,90,80)	RS1/16SS472J	R 309	(A,90,81)	RS1/16SS472J		
CN751	(A,79,69)	Connector	CKS3871	R 310	(A,93,81)	RS1/16SS472J	R 311	(B,95,76)	RS1/16SS561J		
CN796	(A,21,34)	Connector	CKS6205	R 312	(A,82,86)	RS1/16SS0R0J	R 314	(A,100,78)	RS1/16SS472J		
JA101	(A,51,116)	Plug	CKM1376	R 315	(B,100,81)	RS1/16SS472J	R 316	(A,96,81)	RS1/16SS472J	D	
JA401	(A,165,109)	Antenna Jack	CKX1060	R 317	(A,96,80)	RS1/16SS472J	R 318	(B,100,80)	RS1/16SS472J		
JA561	(A,115,120)	Pin Jack	CKB1085	R 319	(A,90,78)	RS1/16SS101J	R 321	(A,95,87)	RS1/16SS221J		
JA562	(A,144,118)	Pin Jack	XKB7001	R 322	(A,94,87)	RS1/16SS221J	R 323	(A,92,87)	RS1/16SS221J		
JA581	(A,31,116)	Jack(D,E,F,G)	CKN1042	R 325	(A,96,78)	RS1/16SS101J	R 326	(A,96,75)	RS1/16SS101J		
		FM/AM Tuner Unit(C)	CWE2097	R 327	(A,93,75)	RS1/16SS101J	R 328	(B,100,78)	RS1/16SS472J	E	
		FM/AM Tuner Unit(D,E,F,G)	CWE2098	R 331	(B,74,88)	RS1/16SS562J	R 332	(B,73,87)	RS1/16SS332J		
<u>RESISTORS</u>											
R 121	(B,44,102)		RS1/16SS103J	R 333	(B,141,31)	RS1/16SS150J	R 334	(B,141,32)	RS1/16SS470J		
R 122	(B,20,97)		RS1/16SS473J	R 335	(B,141,30)	RS1/16SS101J	R 336	(B,141,33)	RS1/16SS101J		
R 123	(B,43,89)		RS1/16SS103J	R 337	(B,144,33)	RS1/16SS102J	R 342	(B,25,26)	RS1/16SS0R0J		
R 124	(B,42,95)		RS1/16SS104J	R 343	(B,25,23)	RS1/16SS0R0J	R 344	(B,19,20)	RS1/16SS0R0J		
R 125	(B,20,93)		RS1/16SS473J	R 350	(A,85,14)	RS1/16SS0R0J	R 351	(A,86,14)	RS1/16SS0R0J	F	
R 126	(B,39,89)		RS1/16SS473J	R 351	(A,86,14)	RS1/16SS0R0J	R 361	(A,81,107)	RS1/16SS104J		
R 127	(B,39,91)		RS1/16SS473J	R 363	(A,80,107)	RS1/16SS473J					
R 128	(B,19,90)		RS1/16SS473J								
R 130	(B,22,93)		RS1/16SS473J								
R 131	(B,23,91)		RS1/10SR472J								
R 132	(B,26,103)		RS1/16SS104J								
R 133	(B,36,90)		RS1/16SS472J								
R 134	(B,22,97)		RS1/16SS103J								
R 135	(B,22,101)		RS1/16SS103J								
R 136	(B,26,89)		RS1/16SS153J								
R 139	(B,42,93)		RS1/16SS103J								
R 140	(B,42,91)		RS1/16SS103J								
R 152	(A,72,110)		RS1/16SS102J								
R 153	(A,96,109)		RS1/16SS683J								
R 154	(A,100,110)		RS1/16SS152J								
R 155	(A,96,107)		RS1/16SS683J								
R 156	(A,100,112)		RS1/16SS101J								
R 157	(B,77,100)		RS1/16SS103J								
R 158	(B,75,106)		RS1/16SS104J								
R 159	(B,77,106)		RS1/16SS473J								
R 160	(A,96,106)		RS1/16SS103J								
R 161	(A,95,111)		RS1/16SS473J								
R 162	(A,92,107)		RS1/16SS472J								
R 163	(A,92,111)		RS1/16SS473J								
R 202	(B,116,100)		RS1/16SS182J								
R 203	(B,103,100)		RS1/16SS182J								
R 204	(A,117,103)		RS1/16SS272J								
R 205	(A,103,104)		RS1/16SS272J								

1

2

3

4

Circuit Symbol and No.**Part No.****Circuit Symbol and No.****Part No.**

R 365	(A,76,104)	RS1/16SS104J	R 578	(A,154,109)	RS1/16SS472J
R 367	(A,78,104)	RS1/16SS473J	R 579	(A,136,109)	RS1/16SS472J
A R 371	(A,74,102)	RS1/16SS102J	R 580	(A,133,109)	RS1/16SS472J
R 372	(A,75,104)	RS1/16SS152J	R 582	(A,37,105) (D,E,F,G)	RS1/16SS473J
R 375	(A,75,101)	RS1/16SS122J	R 583	(A,33,105) (D,E,F,G)	RS1/16SS121J
R 377	(A,84,84)	RS1/16SS0R0J	R 584	(B,23,105) (D,E,F,G)	RS1/16SS104J
R 402	(B,154,46)	RS1/16SS0R0J	R 585	(B,27,107) (D,E,F,G)	RS1/16SS103J
R 408	(B,155,68)	RS1/16SS102J	R 586	(A,125,110)	RS1/16SS223J
R 409	(B,150,94)	RS1/16SS683J	R 602	(A,132,70)	RS1/16SS0R0J
R 411	(B,155,72)	RS1/16SS681J	R 609	(B,126,47)	RS1/16SS104J
R 412	(B,155,73)	RS1/16SS681J	R 611	(B,135,40)	RS1/16SS102J
R 413	(B,155,74)	RS1/16SS681J	R 612	(B,130,40)	RS1/16SS104J
R 414	(B,155,75)	RS1/16SS681J	R 614	(B,129,40)	RS1/16SS104J
R 415	(B,155,77)	RS1/16SS681J	R 618	(B,145,38)	RS1/16SS473J
R 416	(B,119,34)	RS1/16SS152J	R 619	(B,127,41)	RS1/16SS102J
R 417	(B,155,35) (C)	RS1/16SS681J	R 620	(B,129,44)	RS1/16SS473J
R 418	(B,155,40) (C)	RS1/16SS681J	R 623	(A,113,18)	RS1/16SS472J
R 419	(B,152,49) (C)	RS1/16SS681J	R 624	(A,114,18)	RS1/16SS472J
R 420	(B,152,47) (C)	RS1/16SS681J	R 625	(A,115,39)	RS1/16SS471J
R 421	(B,166,45) (C)	RS1/16SS104J	R 626	(A,114,39)	RS1/16SS471J
R 422	(B,166,42) (C)	RS1/16SS104J	R 627	(B,142,43)	RS1/16SS473J
R 501	(B,127,8)	RS1/16SS473J	R 628	(B,142,44)	RS1/16SS473J
R 502	(B,128,8)	RS1/16SS473J	R 629	(B,142,45)	RS1/16SS473J
R 503	(A,119,16)	RS1/16SS681J	R 630	(B,139,47)	RS1/16SS473J
R 511	(A,84,14)	RS1/16SS0R0J	R 631	(A,122,70)	RS1/16SS223J
R 512	(A,87,14)	RS1/16SS0R0J	R 632	(B,143,53)	RS1/16SS182J
R 521	(A,86,83)	RS1/16SS471J	R 633	(B,143,54)	RS1/16SS182J
R 522	(A,85,83)	RS1/16SS471J	R 635	(B,119,42)	RS1/16SS104J
R 523	(B,83,88)	RS1/16SS181J	R 636	(A,113,66)	RS1/16SS104J
R 524	(B,83,92)	RS1/16SS181J	R 637	(A,135,70)	RS1/16SS473J
R 525	(B,82,83)	RS1/16SS222J	R 638	(A,136,70)	RS1/16SS473J
R 526	(B,82,92)	RS1/16SS223J	R 639	(B,133,40)	RS1/16SS104J
R 527	(B,82,87)	RS1/16SS223J	R 640	(B,123,36)	RS1/16SS473J
R 528	(B,80,87)	RS1/16SS102J	R 641	(B,124,36)	RS1/16SS473J
R 529	(B,80,92)	RS1/16SS102J	R 642	(B,118,34)	RS1/16SS473J
D R 530	(B,85,96)	RS1/16SS0R0J	R 643	(A,127,37)	RS1/16SS100J
R 533	(B,83,97)	RS1/16SS0R0J	R 645	(A,138,36)	RS1/16SS472J
R 550	(B,29,26)	RS1/10SR0R0J	R 646	(A,139,36)	RS1/16SS472J
R 551	(B,30,35)	RS1/16SS0R0J	R 647	(A,140,36)	RS1/16SS472J
R 552	(B,30,34)	RS1/16SS0R0J	R 648	(A,111,36)	RS1/16SS473J
R 556	(A,87,16)	RS1/16SS0R0J	R 649	(A,111,38) (D,E)	RS1/16SS473J
R 557	(A,83,14)	RS1/16SS0R0J	R 650	(A,111,40) (E,F)	RS1/16SS473J
R 558	(B,38,25)	RS1/16SS472J	R 651	(A,111,41)	RS1/16SS473J
R 561	(A,131,109)	RS1/16SS390J	R 659	(A,134,37)	RS1/16SS0R0J
R 562	(A,147,109)	RS1/16SS390J	R 660	(B,114,57)	RS1/16SS473J
R 563	(A,140,109)	RS1/16SS390J	R 661	(A,113,60)	RS1/16SS0R0J
E R 564	(A,157,109)	RS1/16SS390J	R 662	(A,113,61)	RS1/16SS0R0J
R 565	(A,138,109)	RS1/16SS390J	R 665	(B,142,57)	RS1/16SS473J
R 566	(A,150,109)	RS1/16SS390J	R 667	(A,137,70) (C)	RS1/16SS223J
R 567	(A,134,113)	RS1/16SS223J	R 671	(A,128,70)	RS1/16SS104J
R 568	(A,145,112)	RS1/16SS223J	R 675	(A,113,47)	RS1/16SS101J
R 569	(A,143,112)	RS1/16SS223J	R 679	(A,146,55)	RS1/16SS221J
R 570	(A,154,113)	RS1/16SS223J	R 680	(A,147,55)	RS1/16SS221J
R 571	(A,136,113)	RS1/16SS223J	R 681	(A,122,38)	RS1/16SS101J
R 572	(A,152,113)	RS1/16SS223J	R 682	(B,114,59)	RS1/16SS0R0J
R 573	(A,120,112)	RS1/16SS750J	R 683	(B,114,58)	RS1/16SS0R0J
F R 574	(A,126,111)	RS1/16SS223J	R 691	(B,132,40)	RS1/16SS273J
R 575	(A,145,109)	RS1/16SS472J	R 701	(A,145,62)	RS1/16SS751J
R 576	(A,143,109)	RS1/16SS472J	R 702	(B,142,58)	RS1/16SS473J
R 577	(A,152,109)	RS1/16SS472J	R 703	(A,146,65)	RS1/16SS471J

1

2

3

4

5		6		7		8	
<u>Circuit Symbol and No.</u>		<u>Part No.</u>		<u>Circuit Symbol and No.</u>		<u>Part No.</u>	
R 704	(A,141,70)	RS1/16SS471J		R 833	(A,83,24)	RS1/16SS104J	
R 705	(A,124,70) (C)	RS1/16SS223J		R 834	(A,70,14)	RS1/16SS181J	
R 706	(A,123,70) (C)	RS1/16SS223J		R 835	(A,93,38)	RS1/16SS472J	A
R 707	(A,125,70) (C)	RS1/16SS223J		R 836	(A,43,34)	RS1/16SS104J	
R 708	(A,139,70)	RS1/16SS471J		R 837	(A,83,28)	RS1/16SS104J	
R 709	(A,121,70)	RS1/16SS223J		R 838	(A,93,35)	RS1/16SS102J	
R 710	(A,113,62)	RS1/16SS104J		R 839	(A,93,36)	RS1/16SS102J	
R 711	(B,124,56)	RS1/16SS473J		R 841	(A,73,20)	RS1/16SS105J	
R 712	(B,121,51)	RS1/16SS103J		R 842	(A,72,20)	RS1/16SS471J	
R 713	(B,117,51)	RS1/16SS104J		R 843	(A,83,27)	RS1/16SS221J	
R 719	(A,133,37)	RS1/16SS681J		R 844	(A,83,35)	RS1/16SS221J	
R 724	(A,146,52)	RS1/16SS471J		R 845	(A,82,35)	RS1/16SS104J	
R 731	(B,137,44)	RS1/16SS473J		R 846	(A,89,29)	RS1/16SS102J	
R 735	(A,109,38) (F,G)	RS1/16SS473J		R 847	(B,66,62)	RS1/16SS2000D	B
R 736	(A,109,40) (D,F,G)	RS1/16SS473J		R 848	(A,86,34)	RS1/16SS472J	
R 751	(B,93,71)	RS1/16SS102J		R 850	(A,55,22)	RS1/16SS470J	
R 752	(B,77,63)	RS1/16SS471J		R 854	(A,53,22)	RS1/16SS331J	
R 753	(B,83,65)	RS1/16SS102J		R 856	(A,86,21)	RS1/16SS473J	
R 754	(B,77,64)	RS1/16SS221J		R 857	(A,80,27)	RS1/16SS101J	
R 755	(B,85,65)	RS1/16SS221J		R 858	(B,52,28)	RS1/16SS101J	
R 756	(B,77,65)	RS1/16SS221J		R 859	(B,55,28)	RS1/16SS101J	
R 757	(B,85,66)	RS1/16SS221J		R 867	(A,69,14)	RS1/16SS104J	
R 760	(B,83,74)	RS1/16SS0R0J		R 872	(A,48,29)	RS1/16SS151J	
R 761	(A,73,88)	RS1/16SS101J		R 901	(B,65,48)	RAB4CQ560J	
R 762	(B,88,71)	RS1/16SS472J		R 902	(B,65,45)	RS1/16SS560J	C
R 763	(B,88,70)	RS1/16SS472J		R 903	(B,65,38)	RAB4CQ560J	
R 771	(B,167,11)	RS1/10SR181J		R 904	(B,65,35)	RAB4CQ560J	
R 772	(B,167,10)	RS1/10SR181J		R 905	(B,65,32)	RAB4CQ560J	
R 773	(B,162,12)	RS1/16SS472J		R 906	(B,49,49)	RAB4CQ560J	
R 774	(B,164,12)	RS1/16SS223J		R 907	(B,49,45)	RAB4CQ560J	
R 796	(A,20,54)	RS1/16SS473J		R 908	(B,49,35)	RAB4CQ560J	
R 802	(A,45,27)	RS1/10SR0R0J		R 909	(B,49,32)	RAB4CQ560J	
R 803	(A,48,37)	RS1/16SS104J		R 910	(B,49,39)	RS1/16SS560J	
R 804	(A,48,40)	RS1/16SS101J		R 911	(B,49,38)	RS1/16SS0R0J	
R 805	(A,54,55)	RS1/16SS122J		R 912	(B,49,41)	RS1/16SS560J	
R 806	(A,56,54)	RS1/16SS105J		R 913	(B,65,43)	RS1/16SS560J	D
R 807	(A,71,14)	RS1/16SS181J		R 914	(B,66,42)	RS1/16SS560J	
R 808	(A,59,56)	RS1/16SS101J		R 915	(B,66,41)	RS1/16SS560J	
R 809	(A,60,56)	RS1/16SS101J		R 924	(B,93,34)	RS1/16SS221J	
R 810	(A,61,56)	RS1/16SS101J		R 925	(B,69,35)	RS1/16SS104J	
R 811	(A,62,56)	RS1/16SS221J		R 926	(B,93,47)	RS1/16SS221J	
R 812	(B,62,55)	RS1/10SR24R0D		R 927	(B,69,47)	RS1/16SS104J	
R 813	(B,62,58)	RS1/10SR24R0D		R 929	(B,69,44)	RS1/16SS472J	
R 814	(B,62,59)	RS1/16SS153J		R 930	(B,57,23)	RS1/16SS331J	
R 815	(B,62,56)	RS1/16SS153J		R 933	(A,68,18)	RAB4CQ151J	
R 816	(B,61,26)	RS1/16SS103J		R 934	(A,67,22)	RAB4CQ151J	
R 817	(B,60,27)	RS1/16SS103J		R 935	(A,63,19)	RAB4CQ151J	E
R 818	(B,63,26)	RS1/16SS103J		R 936	(A,62,21)	RAB4CQ151J	
R 819	(B,63,27)	RS1/16SS103J		R 937	(B,86,19)	RS1/16SS151J	
R 820	(A,67,57)	RS1/16SS1002D		R 941	(B,95,62)	RS1/16SS821J	
R 822	(A,65,57)	RS1/16SS3002D		R 942	(B,101,55)	RS1/16SS821J	
R 823	(A,68,55)	RS1/16SS2402D		R 943	(B,104,61)	RS1/16SS104J	
R 824	(A,68,14)	RS1/16SS103J		R 944	(B,104,58)	RS1/16SS104J	
R 825	(A,96,34)	RS1/16SS103J		R 946	(B,89,58)	RS1/16SS102J	
R 826	(A,87,26)	RS1/16SS104J		R 947	(B,97,61)	RS1/16SS472J	
R 827	(A,87,29)	RS1/16SS101J		R 948	(B,96,60)	RS1/16SS472J	
R 828	(A,74,14)	RS1/16SS221J		R 951	(A,90,19)	RS1/16SS103J	F
R 829	(A,74,13)	RS1/16SS104J		R 952	(A,91,26)	RS1/16SS102J	
R 830	(A,74,15)	RS1/16SS221J		R 953	(A,91,18)	RS1/16SS101J	
R 831	(A,85,24)	RS1/16SS0R0J		R 954	(A,92,18)	RS1/16SS101J	

1

2

3

4

Circuit Symbol and No.**Part No.****Circuit Symbol and No.****Part No.**

R 955	(A,92,26)	RS1/16SS104J	C 126	(B,24,94)	CKSRYB103K50
R 956	(A,93,18)	RS1/16SS1003F	C 127	(A,26,105)	CKSRYB104K50
			C 128	(B,22,103)	CKSRYB104K50
R 958	(A,88,26)	RS1/16SS103J	C 151	(B,81,103)	CKSRYB474K16
R 959	(A,93,16)	RS1/16SS103J			
R 981	(B,107,47)	RS1/16SS102J	C 152	(B,84,103)	CKSRYB474K16
R 986	(B,107,41)	RS1/16SS102J	C 153	(B,88,103)	CKSRYB474K16
R 987	(B,113,32)	RS1/16SS105J	C 154	(B,86,103)	CKSRYB474K16
			C 155	(B,81,107)	CKSQYB474K16
R 988	(B,106,32)	RS1/16SS105J	C 156	(B,84,107)	CKSQYB474K16
R 990	(B,111,36)	RS1/16SS103J			
R 991	(B,106,36)	RS1/16SS103J	C 157	(B,88,107)	CKSQYB474K16
R 992	(B,113,36)	RS1/16SS103J	C 158	(B,86,107)	CKSQYB474K16
R 993	(B,108,36)	RS1/16SS103J	C 159	(B,61,99)	CKSQYB104K50
			C 160	(A,114,108)	CEVW101M16
R 1001	(B,12,66)	RS1/16SS391J	C 161	(A,98,111)	CKSQYB475K6R3
R 1002	(A,11,64)	RS1/10SR2R2J			
R 1003	(A,14,64)	RS1/10SR2R2J	C 162	(B,92,107)	CKSQYB225K10
R 1004	(A,11,65)	RS1/10SR2R2J	C 163	(A,72,111)	CKSRYB104K50
R 1005	(A,14,65)	RS1/10SR2R2J	C 164	(B,79,106) 10 uF	CCG1236
			C 165	(B,90,107)	CKSQYB225K10
R 1006	(A,15,72)	RS1/16SS911J	C 166	(B,75,101) 10 uF	DCH1201
R 1201	(A,13,88)	RS1/16SS683J			
R 1203	(B,21,86)	RS1/16SS102J	C 207	(B,121,91)	CKSRYB105K10
R 1503	(B,54,78)	RS1/16SS561J	C 208	(B,101,90)	CKSRYB105K10
R 1504	(B,52,81)	RS1/16SS2202D	C 211	(B,121,88)	CKSRYB105K10
			C 212	(B,101,87)	CKSRYB105K10
R 1505	(B,53,78)	RS1/16SS3302D	C 213	(B,121,86)	CKSRYB105K10
R 1506	(B,52,78)	RS1/16SS1002D			
R 1507	(B,55,78)	RS1/16SS432J	C 214	(B,101,85)	CKSRYB105K10
R 1508	(B,49,81)	RS1/10SR2R2J	C 215	(B,120,85)	CKSRYB105K10
R 1509	(B,43,74)	RS1/10SR6R8J	C 216	(B,120,83)	CKSRYB105K10
			C 217	(B,121,92)	CKSRYB105K10
R 1512	(B,57,70)	RS1/16SS104J	C 218	(B,121,95)	CKSRYB105K10
R 1513	(B,57,68)	RS1/16SS102J			
R 1514	(B,56,63)	RS1/16SS103J	C 219	(B,101,95)	CKSRYB105K10
R 1515	(B,49,64)	RS1/10SR2R2J	C 220	(B,101,93)	CKSRYB105K10
R 1516	(B,45,64)	RS1/10SR6R8J	C 221	(B,101,91)	CKSRYB105K10
			C 222	(B,119,81)	CKSQYB225K10
R 1517	(B,54,61)	RS1/16SS8202D	C 225	(B,115,81)	CKSRYB474K10
R 1518	(B,54,63)	RS1/16SS1001D			
R 1519	(B,55,63)	RS1/16SS331J	C 226	(A,114,82)	CKSYB106K16
R 1520	(B,53,63)	RS1/16SS9101D	C 227	(A,116,84)	CKSSYB104K10
R 1522	(B,46,77)	RS1/10SR2R2J	C 229	(A,109,84)	CKSSYB104K10
			C 231	(A,108,100)	CKSSYB104K16
R 1523	(B,47,62)	RS1/10SR2R2J	C 232	(A,107,96)	CEVW470M16
R 1531	(A,60,72)	RS1/16SS0R0J			
R 1532	(A,66,67)	RS1/16SS0R0J	C 233	(A,114,100)	CKSYB106K16
R 1621	(B,105,70)	RS1/16SS681J	C 234	(A,115,96)	CCSQCH223J50
R 1623	(B,118,72)	RS1/16SS3003D	C 235	(A,115,94)	CCSQCH223J50
			C 237	(B,112,80)	CCSSCH100D50
R 1624	(B,119,72)	RS1/16SS1102D	C 238	(B,110,99)	CCSSCH100D50
R 1625	(B,109,68)	RS1/16SS512J			
R 1627	(B,116,68)	RS1/16SS621J	C 251	(B,133,103)	CKSRYB105K10
R 1629	(A,119,69)	RS1/16SS4701D	C 252	(B,136,103)	CKSRYB105K10
R 1681	(B,137,22)	RS1/16SS473J	C 253	(B,137,103)	CKSRYB105K10
			C 254	(B,140,103)	CKSRYB105K10
R 1682	(A,127,21)	RS1/16SS220J	C 255	(B,143,103)	CKSRYB105K10
R 1683	(B,132,18)	RS1/10SR121J			
R 1742	(B,154,27)	RS1/16SS683J	C 256	(B,148,103)	CKSRYB105K10
R 1743	(B,154,25)	RS1/16SS473J	C 257	(B,149,103)	CKSRYB105K10
			C 258	(B,152,103)	CKSRYB105K10
			C 259	(B,149,97)	CKSRYB105K10
			C 260	(B,149,93)	CKSRYB105K10

CAPACITORS

C 101	(A,54,96)	CEAT332M16(P35)			
C 121	(B,27,94)	CKSRYB104K50	C 264	(A,151,103)	CKSSYB104K10
C 122	(B,45,98)	CKSRYB105K10	C 265	(A,136,104)	CKSSYB104K10
C 123	(B,47,100)	CKSRYB104K50	C 266	(A,136,101)	CEVW220M16
C 124	(B,38,90)	CKSRYB104K50	C 267	(B,139,103)	CKSRYB105K10
			C 270	(B,145,103)	CKSRYB105K10
C 125	(B,18,100)	CKSRYB104K50			
			C 271	(B,130,95)	CKSRYB105K10

1

2

3

4

5		6		7		8	
<u>Circuit Symbol and No.</u>		<u>Part No.</u>		<u>Circuit Symbol and No.</u>		<u>Part No.</u>	
C 272	(B,130,94)	CKSRYB105K10		C 571	(B,158,109)	CKSSYB102K50	
C 273	(B,130,92)	CKSRYB105K10		C 581	(A,27,106) 10 uF(D,E,F,G)	CCG1171	
C 274	(B,130,91)	CKSRYB105K10		C 582	(A,35,104) (D,E,F,G)	CKSSYB104K10	
C 275	(B,151,103)	CKSRYB105K10		C 601	(B,130,45)	CKSRYB105K10	A
C 276	(B,130,89)	CKSRYB105K10		C 602	(A,124,38)	CKSSYB104K10	
C 277	(B,130,88)	CKSRYB105K10		C 603	(B,124,40)	CKSQYB475K6R3	
C 279	(B,134,84)	CKSRYB105K10		C 604	(A,138,38)	CKSSYB104K10	
C 280	(B,149,96)	CKSRYB105K10		C 605	(A,119,38)	CKSSYB104K10	
C 283	(B,130,100)	CKSRYB105K10		C 606	(A,115,53)	CKSSYB104K10	
C 284	(B,130,101)	CKSRYB105K10		C 607	(A,144,55)	CKSSYB104K10	
C 285	(B,134,103)	CKSRYB105K10		C 608	(A,123,67)	CKSSYB104K10	
C 287	(A,146,84)	CKSSYB104K10		C 609	(A,125,36)	CCSSCH150J50	
C 288	(A,146,95)	CEVW220M16		C 610	(A,127,36)	CCSSCH150J50	
C 289	(A,150,97)	CKSSYB104K10		C 611	(A,113,20)	CKSSYB104K10	
C 290	(A,136,95)	CEVW220M16		C 612	(B,118,47)	CKSSYB103K16	B
C 291	(A,132,98)	CKSSYB104K10		C 751	(A,83,60)	CKSSYB104K10	
C 293	(B,138,84)	CKSRYB104K16		C 801	(A,49,37)	CKSSYB104K10	
C 294	(B,140,84)	CKSRYB104K16		C 802	(A,49,48)	CKSSYB104K10	
C 301	(A,92,75)	CCSSCH6R0D50		C 803	(A,49,45)	CKSSYB104K10	
C 302	(A,90,79)	CCSSCH6R0D50		C 804	(A,50,40)	CKSRYB104K10	
C 303	(A,97,75)	CCSSCH6R0D50		C 805	(A,49,35)	CKSSYB104K10	
C 304	(A,96,79)	CCSSCH6R0D50		C 806	(A,49,33)	CKSSYB104K10	
C 305	(B,90,77)	CKSRYB105K10		C 807	(A,49,30)	CKSSYB104K10	
C 308	(A,90,84) 10 uF	DCH1201		C 808	(A,54,54)	CCSSCH120J50	
C 309	(B,92,86) 22 uF	DCH1256		C 809	(A,55,53)	CKSSYB104K10	C
C 310	(B,90,86) 10 uF	DCH1201		C 810	(A,56,23)	CKSSYB104K10	
C 311	(A,92,84) 10 uF	DCH1201		C 811	(A,58,54)	CCSSCH100D50	
C 312	(A,96,84) 10 uF	DCH1201		C 812	(A,58,53)	CKSSYB104K10	
C 313	(B,95,86) 22 uF	DCH1256		C 813	(A,60,54)	CKSSYB104K10	
C 314	(B,94,86) 22 uF	DCH1256		C 814	(A,59,24)	CKSSYB104K10	
C 315	(A,94,84) 10 uF	DCH1201		C 816	(A,61,24)	CKSSYB104K10	
C 331	(B,141,29)	CKSSYB102K50		C 817	(A,62,53)	CKSSYB104K10	
C 332	(B,141,34)	CKSSYB102K50		C 818	(A,66,57)	CKSSYB104K10	
C 333	(B,143,29)	CKSSYB104K10		C 819	(A,68,57)	CKSSYB104K10	
C 344	(B,19,31)	CKSQYB225K10		C 820	(A,68,54)	CKSRYB105K10	
C 361	(A,75,107)	CKSRYB471K16		C 821	(A,66,24)	CKSSYB104K10	D
C 401	(B,154,54)	CKSQYB475K10		C 822	(A,68,53)	CKSSYB104K10	
C 404	(B,156,58)	CKSSYB103K16		C 823	(A,71,24)	CKSSYB104K10	
C 406	(B,154,60) 10 uF	DCH1201		C 824	(A,74,24)	CKSSYB104K10	
C 407	(B,154,63)	CKSSYB103K16		C 825	(A,74,20)	CKSSYB104K10	
C 408	(B,155,81)	CKSRYB103K50		C 826	(A,84,36)	CKSSYB103K16	
C 409	(A,151,78)	CEVW101M16		C 832	(A,79,49)	CKSSYB104K10	
C 410	(A,151,67)	CEVW101M16		C 833	(A,81,40)	CKSSYB104K10	
C 413	(B,166,43) (C)	CKSSYB122K50		C 834	(A,79,34)	CKSSYB104K10	
C 414	(B,166,44) (C)	CKSSYB122K50		C 835	(A,81,41)	CKSSYB104K10	
C 501	(A,118,16)	CKSSYB104K10		C 836	(A,81,50) 10 uF	DCH1201	E
C 541	(B,38,37)	CKSSYB104K10		C 837	(A,83,45)	CKSSYB104K10	
C 542	(B,38,27)	CKSSYB104K10		C 838	(A,73,18)	CCSSCH100D50	
C 543	(B,38,26)	CKSRYB105K10		C 839	(A,78,22)	CCSSCH100D50	
C 547	(B,41,30)	CKSRYB105K10		C 840	(A,45,25) 10 uF	DCH1201	
C 548	(A,24,106)	CKSQYB475K10		C 841	(A,39,36) 10 uF	DCH1201	
C 561	(A,131,111)	CKSQYB475K10		C 901	(B,65,51)	CKSSYB104K10	
C 562	(A,148,111)	CKSQYB475K10		C 902	(B,60,53)	CKSSYB104K10	
C 563	(A,140,111)	CKSQYB475K10		C 903	(B,66,44)	CKSSYB104K10	
C 564	(A,157,111)	CKSQYB475K10		C 904	(B,64,41)	CKSSYB104K10	
C 565	(A,138,111)	CKSQYB475K10		C 905	(B,65,29)	CKSSYB104K10	
C 566	(A,150,111)	CKSQYB475K10		C 906	(B,49,42)	CKSSYB104K10	
C 567	(A,124,114)	CKSRYB104K50		C 907	(B,49,47)	CKSSYB104K10	F
C 568	(A,117,114)	CKSRYB104K50		C 908	(B,50,27)	CKSSYB102K50	
C 569	(A,114,114)	CKSRYB104K50		C 909	(B,48,26) 10 uF	DCH1201	

1

2

3

4

Circuit Symbol and No.Part No.Circuit Symbol and No.Part No.

C 921 (B,93,35) CKSSYB103K16
 C 922 (B,69,34) CKSSYB104K10
 C 923 (B,69,37) CKSQYB475K6R3
 C 924 (B,93,48) CKSSYB103K16

C 1529 (A,58,75) 22 uF
 C 1530 (A,53,76) 10 uF
 C 1531 (A,71,63)
 C 1621 (B,102,73)

CCG1274
 CCG1236
 CKSSYB102K50
 CKSSYB104K16

C 925 (B,69,49) CKSSYB104K10
 C 926 (B,69,52) CKSQYB475K6R3
 C 927 (A,78,24) CKSSYB104K10
 C 928 (B,76,18) CKSSYB104K10
 C 929 (A,83,29) CKSSYB104K10

C 1624 (B,117,72)
 C 1625 (B,108,70) 4.7 uF
 C 1626 (B,113,73)
 C 1627 (B,119,71)
 C 1628 (B,119,68) 4.7 uF

CKSSYB103K16
 CCG1222
 CKSRYB104K16
 CKSSYB104K16
 CCG1222

C 930 (B,81,18) CKSSYB104K10
 C 931 (B,53,23) CKSSYB104K10
 C 932 (B,58,21) CKSRYB105K10
 C 943 (A,60,60) CKSSYB104K10
 C 944 (B,102,57) CKSQYB475K6R3

C 1629 (A,119,75)
 C 1641 (A,133,22) 100 uF/16 V
 C 1642 (B,136,22)
 C 1644 (A,136,26)
 C 1661 (B,157,14)

CCSSCH271J25
 CCH1565
 CKSRYB105K10
 CKSSYB102K50
 CKSRYB104K16

C 945 (B,98,62) CKSQYB475K6R3
 C 946 (A,70,60) 10 uF DCH1201
 C 951 (A,89,26) CKSSYB104K10
 C 952 (A,86,26) CKSSYB104K10
 C 981 (B,108,47) CKSSYB473K10

C 1662 (A,151,13)
 C 1681 (A,124,22)
 C 1712 (A,69,68)
 C 1731 (A,146,19)
 C 1732 (A,140,22)

CEAT471M16(P35)
 CKSSYB104K16
 CKSSYB104K10
 CKSSYB104K10
 CEVW101M16

C 982 (B,108,41) CKSSYB473K10
 C 983 (B,112,32) CKSSYB102K50
 C 984 (B,107,32) CKSSYB102K50
 C 985 (B,115,36) CKSSYB104K10
 C 1001 (A,10,48) CEVW470M4

C 1733 (A,145,19)
 C 1746 (B,150,33)
 C 1747 (B,150,25)
 C 1771 (B,28,37)
 C 1772 (B,34,43)

CKSSYB104K10
 CKSSYB104K10
 CKSSYB104K10
 CKSQYB225K10
 CKSRYB334K10

C 1002 (B,21,62) CKSSYB103K16
 C 1003 (B,21,55) CKSRYB103K50
 C 1004 (A,11,57) CEAT102M16(P30)
 C 1005 (A,9,71) CKSRYB104K50
 C 1201 (A,12,100) CEVW101M16

C 1791 (A,42,55)
 C 1792 (A,31,53)

CKSQYB106K6R3
 CKSRYB105K10

C 1202 (A,13,84) CKSYB105K35
 C 1221 (B,83,59) CKSRYB105K10
 C 1222 (B,80,56) CKSRYB105K10
 C 1501 (B,43,69) CKSYB105K35
 C 1502 (A,63,78) CKSSYB102K50

Monitor I/F Unit

Consists of
Interface PCB
Monitor PCB
SD PCB

BFG

Unit Number : (C,D,E,F)

Unit Number : (G)

Unit Name : Monitor I/F Unit

MISCELLANEOUS

C 1503 (A,37,79) 10 uF CCG1223
 C 1504 (A,63,79) CKSSYB104K16
 C 1505 (A,58,72) CKSSYB104K16
 C 1506 (A,56,73) 10 uF CCG1236
 C 1507 (B,53,81) CCSRCH561J50

IC 5201 (A,126,69) IC PQ1LA125MSPQ
 IC 5202 (A,129,62) IC S-1172B34-E6
 IC 5301 (A,97,35) IC NJM2505AF
 IC 5311 (A,97,44) IC TC75S57FU
 IC 5312 (A,90,44) L-MOS And Gate TC7SET08FUS1

C 1508 (B,56,78) CCSSCH121J50
 C 1509 (B,56,80) CKSRYB332K50
 C 1510 (A,40,79) 10 uF CCG1223
 C 1511 (B,49,77) CKSQYB475K10
 C 1512 (B,54,77) CKSSYB223K16

IC 5501 (A,77,47) IC S-93C66BD01-I8
 IC 5502 (A,58,60) IC MN103SH13UB
 IC 5503 (A,65,78) Logic IC TC7SHU04FUS1
 IC 5701 (A,16,26) IC TK61222CQ6
 IC 5702 (A,10,29) L-MOS And Gate TC7SET08FUS1

C 1513 (B,46,78) CKSRYB104K25
 C 1514 (A,58,71) CKSSYB102K50
 C 1515 (A,37,66) 10 uF CCG1223
 C 1516 (B,44,61) CKSRYB104K25
 C 1517 (B,55,65) CKSSYB223K16

C 1518 (B,57,61) CKSRYB222K50
 C 1519 (B,57,63) CCSSCH470J50
 C 1520 (A,40,66) 10 uF CCG1223
 C 1521 (B,50,62) CKSQYB475K10
 C 1522 (B,50,60) CKSQYB334K50

IC 5703 (A,23,61) Flash ROM Unit(C,D,E,F) CWW2019
 (A,23,61) Software(G) CWW2336

C 1523 (B,26,80) CKSYB105K35
 C 1524 (B,55,61) CCSRCH471J50
 C 1525 (A,54,73) 10 uF CCG1236
 C 1526 (A,26,68) CEAT472M16(P30)
 C 1527 (A,51,73) 10 uF CCG1236

Q 2001 (A,153,11) Transistor RT3C99M
 Q 5701 (A,7,36) Transistor LSC4081UB
 Q 5702 (A,12,32) Transistor LTC114EUB
 Q 5703 (A,11,50) FET RSQ025P03

C 1528 (A,61,75) 22 uF CCG1274

Q 5705 (A,30,27) Transistor LSC4081UB
 Q 5801 (A,110,56) Transistor UMX1N
 Q 5802 (A,120,51) Transistor LSC4081UB

1

2

3

4

1

2

3

4

Circuit Symbol and No.**Part No.****Circuit Symbol and No.****Part No.**

R 5514	(A,81,51)	RS1/16SS471J	R 5730	(A,6,39)	RS1/16SS473J
R 5515	(A,78,52)	RS1/16SS181J	R 5731	(A,6,24)	RS1/16SS0R0J
R 5516	(A,81,49)	RS1/16SS271J	R 5801	(A,108,58)	RS1/16SS201J
R 5517	(A,79,50)	RS1/16SS271J	R 5802	(A,108,59)	RS1/16SS151J
R 5518	(A,60,43)	RS1/16SS1002D	R 5803	(A,109,60)	RS1/16SS0R0J
R 5520	(A,82,61)	RS1/16SS103J	R 5804	(A,107,56)	RS1/16SS103J
R 5521	(A,50,44)	RS1/16SS473J	R 5806	(A,113,62)	RS1/16SS201J
R 5522	(A,82,64)	RS1/16SS271J	R 5807	(A,113,63)	RS1/16SS151J
R 5523	(A,88,60)	RS1/16SS271J	R 5808	(A,113,64)	RS1/16SS0R0J
R 5524	(A,38,49)	RAB4CQ103J	R 5809	(A,111,61)	RS1/16SS103J
R 5530	(A,91,61)	RS1/16SS101J	R 5811	(A,113,54)	RS1/16SS271J
R 5531	(A,81,66)	RS1/16SS101J	R 5812	(A,115,54)	RS1/16SS271J
R 5532	(A,42,49)	RAB4CQ103J	R 5813	(A,117,55)	RS1/16SS0R0J
R 5533	(A,49,50)	RS1/16SS103J	R 5814	(A,115,56)	RS1/16SS103J
R 5534	(A,83,57)	RS1/16SS101J	R 5816	(A,113,57)	RS1/16SS271J
R 5536	(A,88,65)	RS1/16SS101J	R 5817	(A,115,57)	RS1/16SS271J
R 5537	(A,87,66)	RS1/16SS101J	R 5818	(A,117,57)	RS1/16SS0R0J
R 5539	(A,79,70)	RS1/16SS101J	R 5819	(A,116,59)	RS1/16SS103J
R 5540	(A,76,71)	RS1/16SS101J	R 5821	(A,118,50)	RS1/16SS221J
R 5543	(A,55,76)	RS1/16SS103J	R 5822	(A,116,50)	RS1/16SS221J
R 5544	(A,55,79)	RS1/16SS102J	R 5823	(A,114,50)	RS1/16SS0R0J
R 5546	(A,68,78)	RS1/16SS105J	R 5824	(A,117,52)	RS1/16SS103J
R 5547	(A,62,79)	RS1/16SS220J	R 5826	(A,111,51)	RS1/16SS221J
R 5548	(A,70,79)	RS1/16SS332J	R 5827	(A,109,51)	RS1/16SS221J
R 5549	(A,66,75)	RS1/10SR0R0J	R 5828	(A,107,51)	RS1/16SS0R0J
R 5550	(A,78,72)	RAB4CQ101J	R 5829	(A,116,52)	RS1/16SS103J
R 5551	(A,91,67)	RAB4CQ101J	R 5833	(A,98,40)	RS1/16SS391J
R 5552	(A,88,63)	RAB4CQ101J	R 5834	(A,104,47)	RS1/16SS391J
R 5555	(A,92,54)	RS1/16SS103J	R 5835	(A,97,49)	RS1/16SS391J
R 5556	(A,91,56)	RS1/16SS103J	R 5836	(A,104,51)	RS1/16SS272J
R 5557	(A,57,79)	RS1/16SS0R0J	R 5838	(A,101,41)	RS1/16SS272J
R 5560	(A,84,49)	RS1/16SS103J	R 5839	(A,107,45)	RS1/16SS272J
R 5561	(A,86,52)	RS1/16SS103J	R 5840	(A,101,52)	RS1/16SS472J
R 5570	(A,74,62)	RS1/16SS471J	R 5841	(A,100,39)	RS1/16SS472J
R 5701	(A,24,35)	RS1/10SR1203D	R 5870	(B,34,49)	RS1/16SS180J
R 5702	(A,24,33)	RS1/10SR1002F	R 5871	(B,32,56)	RS1/16SS180J
R 5703	(A,9,23)	RS1/16SS101J	R 5872	(B,29,49)	RS1/16SS180J
R 5704	(A,18,32)	RS1/16SS101J	R 5873	(B,34,52)	RS1/16SS180J
R 5705	(A,20,32)	RS1/16SS0R0J	R 5874	(B,31,50)	RS1/16SS180J
R 5706	(A,19,32)	RS1/16SS0R0J	R 5875	(B,32,53)	RS1/16SS180J
R 5707	(A,33,39)	RS1/16SS3301F	R 5876	(B,34,51)	RS1/16SS180J
R 5708	(A,10,33)	RS1/16SS102J	R 5877	(B,32,58)	RS1/16SS180J
R 5709	(A,24,27)	RS1/10SR1103D	R 5878	(B,31,51)	RS1/16SS180J
R 5710	(A,22,26)	RS1/10SR8201D	R 5879	(B,27,56)	RS1/16SS180J
R 5711	(A,21,24)	RS1/10SR6202D	R 5880	(B,32,54)	RS1/16SS180J
R 5713	(A,30,23)	RS1/16SS472J	R 5881	(B,21,56)	RS1/16SS180J
R 5714	(A,17,32)	RS1/16SS223J	R 5882	(B,29,54)	RS1/16SS180J
R 5716	(A,11,53)	RS1/16SS562J	R 5883	(B,24,56)	RS1/16SS180J
R 5717	(A,10,36)	RS1/16SS562J	R 5884	(B,29,55)	RS1/16SS180J
R 5718	(A,24,23)	RS1/10SR4700D	R 5885	(B,21,57)	RS1/16SS180J
R 5719	(A,13,28)	RS1/16SS152J	R 5886	(B,18,57)	RS1/16SS680J
R 5720	(A,12,23)	RS1/16SS221J	R 5889	(B,18,56)	RS1/16SS390J
R 5722	(A,9,33)	RS1/16SS103J	R 5900	(A,127,79)	RS1/16SS562J
R 5723	(A,11,21)	RS1/10SR1203D	R 5901	(A,85,80)	RS1/16SS101J
R 5724	(A,8,21)	RS1/10SR0R0J	R 5902	(A,87,82)	RS1/10SR680J
R 5725	(A,12,28)	RS1/16SS152J	R 5903	(A,85,82)	RS1/16SS270J
R 5726	(A,30,24)	RS1/16SS103J	R 5904	(A,121,82)	RS1/16SS473J
R 5727	(A,28,24)	RS1/16SS472J	R 5905	(A,81,78)	RS1/16SS104J
R 5728	(A,29,22)	RS1/16SS332J	R 7001	(A,11,13)	RAB4CQ223J
R 5729	(A,7,26)	RS1/16SS273J	R 7002	(A,41,57)	RAB4CQ223J

1

2

3

4

5		6		7		8	
<u>Circuit Symbol and No.</u>		<u>Part No.</u>		<u>Circuit Symbol and No.</u>		<u>Part No.</u>	
R 7007	(B,34,22)	RS1/16SS151J		C 5513	(A,63,46)	CKSSYB104K10	
R 7009	(B,33,22)	RS1/16SS151J		C 5516	(A,65,43)	CKSSYB104K10	
R 7011	(B,38,22)	RS1/16SS151J		C 5517	(A,68,45)	CKSSYB104K10	
R 7012	(B,18,13)	RS1/16SS151J		C 5518	(A,61,43)	CKSSYB104K10	A
R 7013	(B,18,10)	RS1/16SS151J		C 5519	(A,69,47)	CKSSYB471K50	
R 7014	(B,18,12)	RS1/16SS151J		C 5521	(A,92,46) 10 uF	DCH1201	
R 7015	(B,18,9)	RS1/16SS151J		C 5522	(B,66,57)	CKSSYB104K10	
R 7017	(B,43,22)	RS1/16SS102J		C 5523	(A,73,56)	CKSSYB104K10	
R 7021	(B,39,42)	RS1/16SS470J		C 5524	(A,88,40) 10 uF	DCH1201	
R 7022	(B,39,40)	RS1/16SS470J		C 5525	(A,58,43)	CCSSCH330J50	
R 7023	(B,40,58)	RS1/16SS470J		C 5526	(A,94,49) 10 uF	DCH1201	
R 7024	(B,40,56)	RS1/16SS470J		C 5527	(A,64,45)	CKSSYB104K10	
R 7025	(B,40,54)	RS1/16SS470J		C 5528	(A,74,53)	CKSSYB104K10	
R 7521	(B,11,17)	RS1/16SS103J		C 5529	(A,66,46)	CKSSYB104K10	
R 7522	(B,12,18)	RS1/16SS681J		C 5530	(A,77,58)	CCSSCH9R0D50	B
R 7523	(B,7,19)	RS1/16SS102J		C 5531	(A,77,61)	CCSSCH120J50	
				C 5532	(A,53,46)	CKSSYB104K10	
				C 5533	(A,71,64)	CKSSYB104K10	
				C 5534	(B,53,52)	CKSSYB104K10	
<u>CAPACITORS</u>							
C 2001	(A,159,9)	CKSQYB475K10					
C 2002	(A,147,10)	CKSQYB475K10		C 5535	(B,64,62)	CKSSYB104K10	
C 2003	(B,24,13)	CKSRYB104K50		C 5536	(A,50,50)	CKSSYB104K10	
C 2004	(B,125,8)	CKSRYB104K50		C 5537	(A,70,67)	CKSSYB104K10	
C 2005	(B,94,17)	CKSRYB104K50		C 5538	(A,64,72)	CKSSYB104K10	
				C 5539	(A,44,53)	CKSSYB104K10	
C 2006	(B,93,19)	CKSRYB104K50					
C 2007	(B,145,13)	CKSSYB104K10		C 5540	(A,63,73)	CKSSYB104K10	C
C 2008	(B,56,19)	CKSRYB104K50		C 5541	(A,63,75)	CKSSYB104K10	
C 2009	(B,69,21)	CCSRCH101J50		C 5542	(A,36,67)	CSZSR470M10	
C 5003	(B,109,39)	CKSSYB105K6R3		C 5543	(A,57,77)	CKSSYB102K50	
				C 5544	(A,45,67)	CKSSYB104K10	
C 5201	(A,125,65)	CKSSYB103K16					
C 5202	(A,127,73)	CKSRYB105K10		C 5545	(A,40,65)	CKSSYB103K16	
C 5203	(A,134,63)	CKSQYB106K6R3		C 5546	(B,59,69)	CKSRYB105K10	
C 5208	(A,124,62)	CKSRYB105K10		C 5547	(A,41,60)	CKSSYB104K10	
C 5209	(A,123,59)	CKSSYB104K10		C 5548	(A,42,63)	CKSSYB104K10	
				C 5549	(A,42,64)	CKSSYB104K10	
C 5210	(A,124,58)	CKSQYB475K10					
C 5211	(A,122,70)	CKSQYB475K6R3		C 5550	(A,45,65)	CKSSYB104K10	
C 5212	(A,122,74)	CKSRYB105K10		C 5551	(A,47,72)	CKSSYB104K10	D
C 5301	(A,101,35) 10 uF	DCH1201		C 5552	(A,51,71)	CKSSYB104K10	
C 5302	(A,101,37) 10 uF	DCH1201		C 5553	(A,53,74)	CKSSYB104K10	
				C 5555	(A,38,57)	CSZSR470M10	
C 5303	(A,95,33)	CKSSYB104K10					
C 5304	(A,90,38)	CKSSYB104K10		C 5556	(A,70,73)	CCSSCH180J50	
C 5307	(A,93,42)	CKSSYB104K10		C 5557	(A,41,74)	CSZSR470M10	
C 5308	(A,97,42)	CKSSYB104K10		C 5558	(A,72,79)	CCSSCH180J50	
C 5309	(A,93,35) 10 uF	DCH1201		C 5560	(A,65,77)	CKSSYB104K10	
				C 5570	(A,57,41)	CKSSYB102K50	
C 5314	(A,94,42)	CKSSYB104K10					
C 5401	(A,24,46)	CKSQYB475K6R3		C 5571	(A,72,46)	CKSSYB104K10	
C 5402	(A,32,48)	CKSSYB104K10		C 5601	(A,88,78) 10 uF	DCH1201	
C 5403	(A,22,48)	CKSSYB104K10		C 5602	(A,89,75)	CKSSYB104K10	E
C 5501	(A,82,77)	CKSRYB105K10		C 5701	(A,15,32)	CKSRYB105K16	
				C 5702	(A,11,42) 10 uF	CCG1236	
C 5502	(A,41,68)	CKSRYB105K10					
C 5503	(A,82,47)	CKSSYB104K10		C 5703	(A,7,51) 10 uF	CCG1236	
C 5504	(A,85,36) 10 uF	DCH1201		C 5704	(A,11,54)	CKSRYB104K16	
C 5505	(A,73,44)	CSZS100M10		C 5705	(A,25,31) 10 uF	CCG1236	
C 5506	(A,58,39)	CSZS100M10		C 5706	(A,14,35)	CKSSYB104K16	
				C 5707	(A,14,32)	CKSRYB105K10	
C 5507	(A,60,42)	CKSSYB104K10					
C 5508	(A,62,41)	CKSSYB104K10		C 5708	(A,21,23)	CKSRYB474K10	
C 5509	(A,64,40)	CKSSYB104K10		C 5710	(A,11,20)	CKSRYB105K10	
C 5510	(A,65,41)	CKSSYB104K10		C 5711	(A,21,33)	CKSSYB104K10	F
C 5511	(A,68,41)	CKSSYB104K10		C 5713	(A,9,47) 10 uF	CCG1236	
				C 5714	(A,9,44) 10 uF	CCG1236	
C 5512	(A,69,41)	CKSSYB104K10					
				C 5715	(A,25,29) 10 uF	CCG1236	

1

Circuit Symbol and No.

2

Part No.

C 5716	(A,12,26)	CKSSYB104K10
C 5718	(A,10,31)	CKSSYB104K10
C 5805	(A,94,38)	CKSSYB104K10
C 5806	(A,98,46)	CKSSYB104K10

A

C 5807	(A,98,49)	CKSSYB104K10
C 5810	(A,103,52)	CCSSCH390J50
C 5811	(A,101,40)	CCSSCH390J50
C 5812	(A,107,44)	CCSSCH390J50
C 7002	(A,47,59)	CKSSYB104K10

C 7003	(A,44,43)	CKSSYB104K10
C 7004	(A,16,28)	CKSSYB104K10
C 7007	(B,45,50)	CCSSCH180J50
C 7008	(B,41,46)	CCSSCH180J50
C 7009	(B,42,46)	CCSSCH180J50

B

C 7010	(B,43,50)	CCSSCH180J50
C 7011	(B,44,50)	CCSSCH180J50
C 7521	(B,9,19)	CKSSYB104K10

E**Unit Number :****Unit Name : Keyboard Unit****MISCELLANEOUS**

C D 3001	(A,11,6) Chip LED	NSSM038A-6430
D 3002	(A,156,6) Chip LED	NSSM038A-6430
S 3001	(A,88,6) Switch	VSG1020
S 3002	(A,73,6) Switch	VSG1020
S 3003	(A,58,6) Switch	VSG1020

S 3004	(A,34,6) Switch	VSG1020
S 3005	(A,21,6) Switch	VSG1020
S 3006	(A,147,6) Switch	VSG1020
S 3007	(A,132,6) Switch	VSG1020
S 3008	(A,117,6) Switch	VSG1020

S 3009	(A,102,6) Switch	VSG1020
D S 3010	(A,8,6) Push Switch	CSG1155
U 3001	(A,162,6) Sensor	RS-470
CN3001	(A,43,6) Connector	CKS5982

RESISTORS

R 3001	(A,137,8)	RS1/16SS470J
R 3002	(A,63,5)	RS1/16SS0R0J
R 3003	(A,83,7)	RS1/16SS182J
R 3004	(A,63,7)	RS1/16SS222J
R 3005	(A,53,6)	RS1/16SS472J

R 3006	(A,26,7)	RS1/16SS123J
R 3007	(A,138,6)	RS1/16SS182J
R 3008	(A,123,5)	RS1/16SS222J
R 3009	(A,109,7)	RS1/16SS472J

CAPACITORS

C 3005	(A,166,6)	CKSSYB104K16
C 3006	(A,92,6)	CKSSYB104K16
C 3007	(A,141,5)	CKSSYB104K16
C 3008	(A,113,6)	CKSSYB104K16
C 3012	(A,30,9)	CKSSYB104K16

F C 3013	(A,25,8)	CKSSYB104K16
C 3014	(A,27,5)	CKSSYB104K16

3

Circuit Symbol and No.

4

Part No.**H****Unit Number : EXX1060****Unit Name : PCB Assy(Service)****MISCELLANEOUS**

IC 101	Driver IC	BA6288FS
VR101	Volume 10 kohm	CCW1029
S 101	Switch	CSN1067
S 102	Switch	CSN1068
CN101	Connector	CKS4997

RESISTORS

R 101	RS1/16S221J
R 102	RS1/16S221J
R 103	RS1/16S0R0J

CAPACITORS

C 101	CEVW220M16
C 102	CKSRYB104K16

C**Unit Number : YWX5013****Unit Name : DVD Core Unit****MISCELLANEOUS**

IC 1002	(B,21,41) Regulator IC	S-1133B50-U5
IC 1003	(B,35,23) IC	S-1200B50-M5
IC 1004	(B,25,11) IC	NJM2885DL1-33
IC 1005	(B,19,21) IC	R1232D121B
IC 1201	(A,15,29) IC	BD8231EFV

*IC1401	(B,63,36) Flash ROM Unit	CWW2267
*IC1402	(B,50,36) Flash ROM Unit	CWW2268
IC 1480	(B,59,13) SDRAM(64M)	K4S641632N-LC75
IC 1501	(A,60,20) IC	MN2DS0018MAUB
IC 1801	(B,37,16) D/A Converter	PCM1753DBQ

Q 1101	(A,35,39) Transistor	2SC4081
Q 1102	(A,46,42) Transistor	2SC4081
Q 1103	(A,38,45) Transistor	2SB1132
Q 1104	(A,45,49) Transistor	2SB1132

L 1003	(B,22,26) Inductor	CTF1677
L 1004	(B,14,17) Inductor	CTF1678
L 1512	(A,57,5) Inductor	CTF1743
L 1902	(B,5,8) Inductor	CTF1487
L 1903	(B,12,11) Inductor	CTF1558

L 1904	(B,46,19) Inductor	CTF1473
X 1501	(B,43,7) Oscillator 27.000 MHz	CSS1768
EF1001	(B,5,12) Chip EMI Filter	DTF1106
EF1002	(B,11,13) Chip EMI Filter	DTL1106
CN1101	(A,66,49) Connector	CKS5775

CN1201	(A,16,44) Connector	CKS6003
CN1901	(A,21,7) Connector	CKS6025

RESISTORS

R 1002	(B,18,27)	RS1/16SS101J
R 1004	(A,29,27)	RS1/16SS4702D
R 1007	(A,29,26)	RS1/16SS6801D
R 1019	(B,15,9)	RS1/16SS101J

1

2

3

4

5		6		7		8	
<u>Circuit Symbol and No.</u>		<u>Part No.</u>		<u>Circuit Symbol and No.</u>		<u>Part No.</u>	
R 1021	(A,27,15)	RS1/16SS0R0J		R 1516	(A,65,36)	RS1/16SS103J	
R 1025	(B,19,11)	RS1/16SS101J		R 1517	(A,76,16)	RS1/16SS103J	
R 1027	(A,27,19)	RS1/16SS101J		R 1518	(A,74,24)	RS1/16SS103J	
R 1101	(A,35,36)	RS1/16SS104J		R 1519	(A,70,34)	RS1/16SS102J	A
R 1102	(A,43,42)	RS1/16SS104J		R 1522	(A,65,38)	RS1/16SS104J	
R 1103	(A,34,41)	RS1/16SS391J		R 1523	(A,66,37)	RS1/16SS221J	
R 1104	(A,36,36)	RS1/16SS511J		R 1524	(A,64,37)	RS1/16SS472J	
R 1105	(A,42,44)	RS1/16SS391J		R 1525	(A,71,34)	RS1/16SS103J	
R 1106	(A,45,39)	RS1/16SS561J		R 1526	(A,67,34)	RS1/16SS103J	
R 1109	(A,34,43)	RS1/16SS3R3J		R 1527	(B,77,29)	RS1/16SS682J	
R 1110	(A,41,43)	RS1/16SS3R3J		R 1528	(A,78,20)	RS1/16SS103J	
R 1111	(A,38,39)	RS1/10SR1R5J		R 1529	(A,76,18)	RS1/16SS103J	
R 1112	(A,38,38)	RS1/10SR1R5J		R 1530	(A,77,20)	RS1/16SS103J	
R 1113	(A,49,46)	RS1/10SR1R5J		R 1531	(A,75,24)	RS1/16SS103J	
R 1114	(A,48,46)	RS1/10SR1R5J		R 1533	(A,75,29)	RS1/16SS104J	B
R 1115	(A,41,38)	RS1/10SR1R5J		R 1534	(A,78,30)	RS1/16SS221J	
R 1116	(A,41,39)	RS1/10SR1R5J		R 1535	(B,70,34)	RS1/16SS104J	
R 1117	(A,48,43)	RS1/10SR1R5J		R 1536	(A,78,31)	RS1/16SS104J	
R 1118	(A,49,43)	RS1/10SR1R5J		R 1537	(A,73,35)	RS1/16SS104J	
R 1201	(A,16,36)	RS1/16SS221J		R 1538	(A,61,4)	RS1/16SS104J	
R 1202	(A,17,35)	RS1/16SS221J		R 1539	(A,77,23)	RS1/16SS104J	
R 1203	(A,22,35)	RS1/16SS103J		R 1540	(A,73,32)	RS1/16SS221J	
R 1204	(A,19,35)	RS1/16SS153J		R 1541	(A,75,32)	RS1/16SS221J	
R 1212	(A,7,36)	RS1/16SS271J		R 1542	(A,77,29)	RS1/16SS103J	
R 1213	(B,8,29)	RS1/16SS1R0J		R 1546	(B,75,29)	RS1/16SS682J	C
R 1214	(B,8,27)	RS1/16SS1R0J		R 1601	(A,42,25)	RS1/16SS123J	
R 1215	(B,8,28)	RS1/16SS1R0J		R 1602	(A,44,25)	RS1/16SS123J	
R 1216	(B,8,24)	RS1/16SS1R0J		R 1603	(A,43,30)	RN1/16SE1002D	
R 1217	(B,8,25)	RS1/16SS1R0J		R 1604	(A,50,35)	RS1/16SS105J	
R 1218	(B,8,26)	RS1/16SS1R0J		R 1605	(A,49,37)	RS1/16SS105J	
R 1222	(B,26,39)	RS1/16SS271J		R 1670	(A,34,21)	RS1/16SS1002D	
R 1300	(B,39,24)	RS1/16SS0R0J		R 1671	(A,36,21)	RS1/16SS2402D	
R 1401	(B,63,49)	RS1/16SS221J		R 1672	(A,45,19)	RS1/16SS2000D	
R 1402	(B,70,27)	RS1/16SS104J		R 1674	(A,45,20)	RS1/16SS3002D	
R 1405	(B,56,24)	RS1/16SS104J		R 1801	(B,35,6)	RS1/16SS104J	D
R 1406	(B,54,25)	RS1/16SS104J		R 1802	(B,33,6)	RS1/16SS104J	
R 1480	(B,52,21)	RAB4CQ560J		R 1803	(B,35,11)	RS1/16SS821J	
R 1481	(B,56,21)	RAB4CQ560J		R 1804	(B,34,11)	RS1/16SS821J	
R 1482	(B,61,21)	RAB4CQ560J		<u>CAPACITORS</u>			
R 1483	(B,64,21)	RAB4CQ560J		C 1001	(B,36,21)	CKSRYB105K10	
R 1484	(B,67,21)	RAB4CQ560J		C 1003	(B,18,44)	CKSSYB104K16	
R 1485	(B,50,5)	RAB4CQ560J		C 1004	(B,24,40)	CKSQYB475K10	
R 1486	(B,55,5)	RAB4CQ560J		C 1005	(B,32,23)	CKSRYB105K16	
R 1487	(B,64,5)	RAB4CQ560J		C 1008	(B,20,31) 10 uF	DCH1201	
R 1488	(B,68,5)	RAB4CQ560J		C 1009	(B,18,31) 10 uF	DCH1201	E
R 1489	(B,59,5)	RS1/16SS560J		C 1010	(B,26,18)	CKSQYB225K10	
R 1490	(B,50,21)	RS1/16SS560J		C 1011	(B,22,18)	CKSRYB105K10	
R 1501	(B,46,7)	RS1/16SS122J		C 1013	(B,15,25) 10 uF	DCH1201	
R 1503	(B,45,8)	RS1/16SS105J		C 1014	(B,13,25) 10 uF	DCH1201	
R 1504	(B,45,13)	RS1/16SS120J		C 1015	(B,7,8)	CKSSYB102K50	
R 1505	(A,43,13)	RS1/16SS101J		C 1016	(B,12,10)	CKSSYB102K50	
R 1506	(A,37,14)	RS1/16SS101J		C 1018	(A,28,28)	CKSSYB104K10	
R 1507	(A,44,14)	RS1/16SS101J		C 1019	(A,10,17)	CKSSYB104K10	
R 1508	(A,43,15)	RS1/16SS221J		C 1021	(B,34,4)	CCSRCH681J50	
R 1509	(A,63,35)	RS1/16SS102J		C 1022	(A,23,21)	CCSRCH681J50	F
R 1510	(A,64,35)	RS1/16SS102J		C 1101	(B,31,40) 10 uF	DCH1201	
R 1511	(B,46,13)	RS1/16S0R0J		C 1104	(A,34,42)	CKSSYB104K10	
R 1512	(A,58,5)	RS1/16SS101J		C 1105	(A,42,45)	CKSSYB104K10	
R 1513	(A,66,35)	RS1/16SS103J					
R 1514	(A,68,35)	RS1/16SS183J					

1

2

3

4

Circuit Symbol and No.**Part No.****Circuit Symbol and No.****Part No.**

C 1106	(A,37,48)	CKSSYB103K16	C 1605	(A,43,27)	CCSSCH680J50
C 1107	(A,41,49)	CKSSYB103K16	C 1606	(A,41,23)	CKSSYB104K10
C 1108	(A,74,42)	CKSSYB103K16	C 1607	(A,41,35)	CKSQYB106K6R3
C 1109	(A,56,41)	CKSRYB224K10	C 1608	(A,43,36)	CKSRYB105K10
C 1110	(A,71,42)	CKSSYB103K16	C 1609	(A,48,35)	CKSSYB104K10
C 1111	(A,61,39)	CKSRYB224K10	C 1610	(A,50,37)	CKSSYB104K10
C 1112	(B,40,39) 22 uF	CCG1178	C 1611	(A,51,37)	CKSSYB104K10
C 1113	(B,36,38) 22 uF	CCG1178	C 1612	(A,52,34)	CKSSYB104K10
C 1201	(B,12,34)	CEVW101M16	C 1613	(A,52,37)	CKSSYB104K10
C 1204	(A,8,24)	CKSSYB222K50	C 1614	(A,53,34)	CKSSYB104K10
C 1205	(A,13,23)	CKSSYB104K16	C 1615	(A,54,34)	CKSSYB104K10
C 1207	(A,22,25)	CKSSYB104K16	C 1616	(A,54,37)	CKSSYB104K10
C 1208	(A,15,36)	CKSSYB103K16	C 1617	(A,54,38)	CKSSYB104K10
C 1209	(B,10,25)	CKSSYB104K16	C 1618	(A,56,34)	CCSSCH101J50
C 1210	(B,6,23)	CKSSYB104K16	C 1619	(A,57,34)	CKSSYB562K25
C 1211	(B,9,22)	CKSYB475K16	C 1620	(A,58,34)	CKSSYB224K6R3
C 1401	(B,63,48)	CKSSYB103K16	C 1621	(A,57,37)	CKSSYB224K6R3
C 1403	(B,69,23)	CKSSYB104K10	C 1622	(A,59,35)	CKSSYB333K16
C 1404	(B,58,25)	CKSQYB475K6R3	C 1623	(A,45,35)	CKSRYB105K10
C 1408	(B,47,25)	CKSSYB104K10	C 1624	(A,58,37)	CKSSYB104K10
C 1409	(B,47,23)	CKSQYB475K6R3	C 1625	(A,56,37)	CKSSYB104K10
C 1480	(B,47,21)	CKSSYB104K10	C 1671	(A,44,17)	CKSSYB104K10
C 1481	(B,49,23)	CKSSYB104K10	C 1672	(A,45,18)	CKSSYB104K10
C 1482	(B,54,21)	CKSSYB104K10	C 1673	(A,45,22)	CKSSYB104K10
C 1484	(B,59,20)	CKSSYB104K10	C 1674	(A,43,21)	CKSSYB104K10
C 1485	(B,69,21)	CKSSYB104K10	C 1676	(A,38,22)	CKSRYB105K10
C 1487	(B,58,4)	CKSSYB104K10	C 1801	(B,34,8)	CKSQYB475K6R3
C 1488	(B,52,5)	CKSSYB104K10	C 1802	(B,32,8)	CKSQYB475K6R3
C 1489	(B,45,20)	CKSQYB106K6R3	C 1803	(B,36,8)	CCSRCH182J50
C 1490	(B,45,23)	CKSSYB102K50	C 1804	(B,31,7)	CCSRCH182J50
C 1501	(B,72,9)	CKSQYB106K6R3	C 1805	(B,32,19)	CKSSYB104K10
C 1502	(A,35,32)	CKSQYB106K6R3	C 1806	(B,39,9) 10 uF	DCH1201
C 1503	(A,60,4)	CKSSYB104K10	C 1809	(B,43,16)	CKSSYB104K10
C 1504	(A,51,5)	CKSSYB104K10	C 1934	(B,42,29)	CCSRCH680J50
C 1505	(A,53,5)	CKSSYB104K10	C 1954	(B,43,49)	CCSRCH470J50
C 1506	(A,55,5)	CKSSYB104K10			
C 1507	(A,62,5)	CKSSYB104K10			
C 1508	(A,66,5)	CKSSYB104K10			
C 1509	(A,69,5)	CKSSYB104K10			
C 1510	(B,46,5)	CCSSCH120J50			
C 1511	(A,46,9)	CKSSYB104K10			
C 1512	(B,43,10)	CCSSCH100D50			
C 1513	(B,74,12)	CKSSYB104K10			
C 1514	(A,46,13)	CKSSYB104K10			
C 1515	(A,45,15)	CKSSYB104K10			
C 1516	(A,75,15)	CKSSYB104K10			
C 1517	(A,74,16)	CKSSYB104K10			
C 1518	(A,75,22)	CKSSYB104K10			
C 1519	(A,74,26)	CKSSYB104K10			
C 1520	(A,75,30)	CKSSYB104K10			
C 1521	(A,60,37)	CKSSYB104K10			
C 1522	(A,65,34)	CKSSYB104K10			
C 1523	(A,68,37)	CKSSYB104K10			
C 1524	(A,69,37)	CKSSYB473K10			
C 1526	(A,68,37)	CKSSYB103K16			
C 1528	(A,78,29)	CCSSCH471J16			
C 1601	(A,44,29)	CKSSYB103K16			
C 1602	(A,42,24)	CCSSCH101J50			
C 1603	(A,44,27)	CCSSCH101J50			
C 1604	(A,41,27)	CCSSCH680J50			

D**Unit Number :****Unit Name : Connect PCB****MISCELLANEOUS**

S 101	(B,51,37) Switch(HOME)	CSN1068
S 102	(B,12,23) Switch(DSCSNS)	CSN1068
S 103	(B,22,10) Switch(8SNS)	CSN1068
R 101	(B,52,27)	RS1/16S101J
R 102	(B,15,29)	RS1/16S101J
R 103	(B,16,11)	RS1/16S101J
C 101	(B,51,23)	CKSRYB104K50

Miscellaneous Parts List

M 1	Pickup Unit(Service)	CXX2398
M 2	Motor Unit(LOAD/CRG)	CXC4026
	Motor(SPINDLE)	EXM1050
	Motor Unit	EXA1692

1

2

3

4