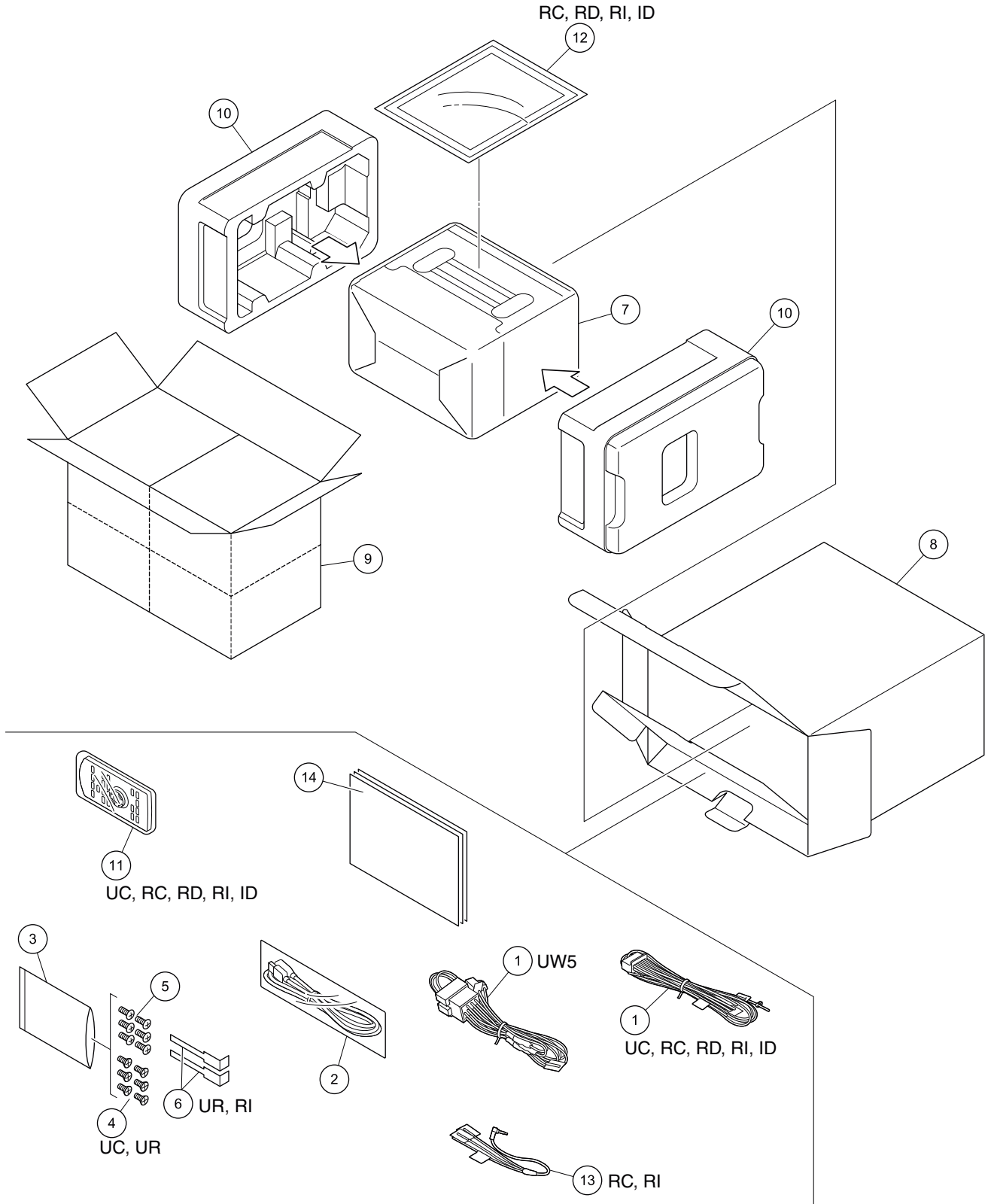


9. EXPLODED VIEWS AND PARTS LIST

- NOTES :
- Parts marked by "*" are generally unavailable because they are not in our Master Spare Parts List.
 - The Δ mark found on some component parts indicates the importance of the safety factor of the part. Therefore, when replacing, be sure to use parts of identical designation.
 - Screw adjacent to ∇ mark on the product are used for disassembly.
 - For the applying amount of lubricants or glue, follow the instructions in this manual.
(In the case of no amount instructions, apply as you think it appropriate.)

9.1 PACKING



(1) PACKING SECTION PARTS LIST

<u>Mark No.</u>	<u>Description</u>	<u>Part No.</u>	<u>Mark No.</u>	<u>Description</u>	<u>Part No.</u>
1	Cord Assy	See Contrast table (2)	10	Protector	See Contrast table (2)
2	USB Extended Cable	CDP1587			
3	Polyethylene Bag	CEG1160	11	Card Remote Control Unit	See Contrast table (2)
4	Screw	See Contrast table (2)	12	Panel	See Contrast table (2)
5	Screw	CBA2384	13	Cord Assy	See Contrast table (2)
			14-1	Owner's Manual	See Contrast table (2)
6	Handle	See Contrast table (2)	*	14-2 Warranty Card	See Contrast table (2)
7	Cover	See Contrast table (2)			
8	Unit Box	See Contrast table (2)	*	14-3 Service Network	See Contrast table (2)
9	Contain Box	See Contrast table (2)			

(2) CONTRAST TABLE

AVH-X1800S/XNUC, AVH-X1800DVD/XNUR, AVH-X1850DVD/XNRC, AVH-X1850DVD/XNRD, AVH-X1850DVD/XNRI and AVH-X1890DVD/XNID are constructed the same except for the following:

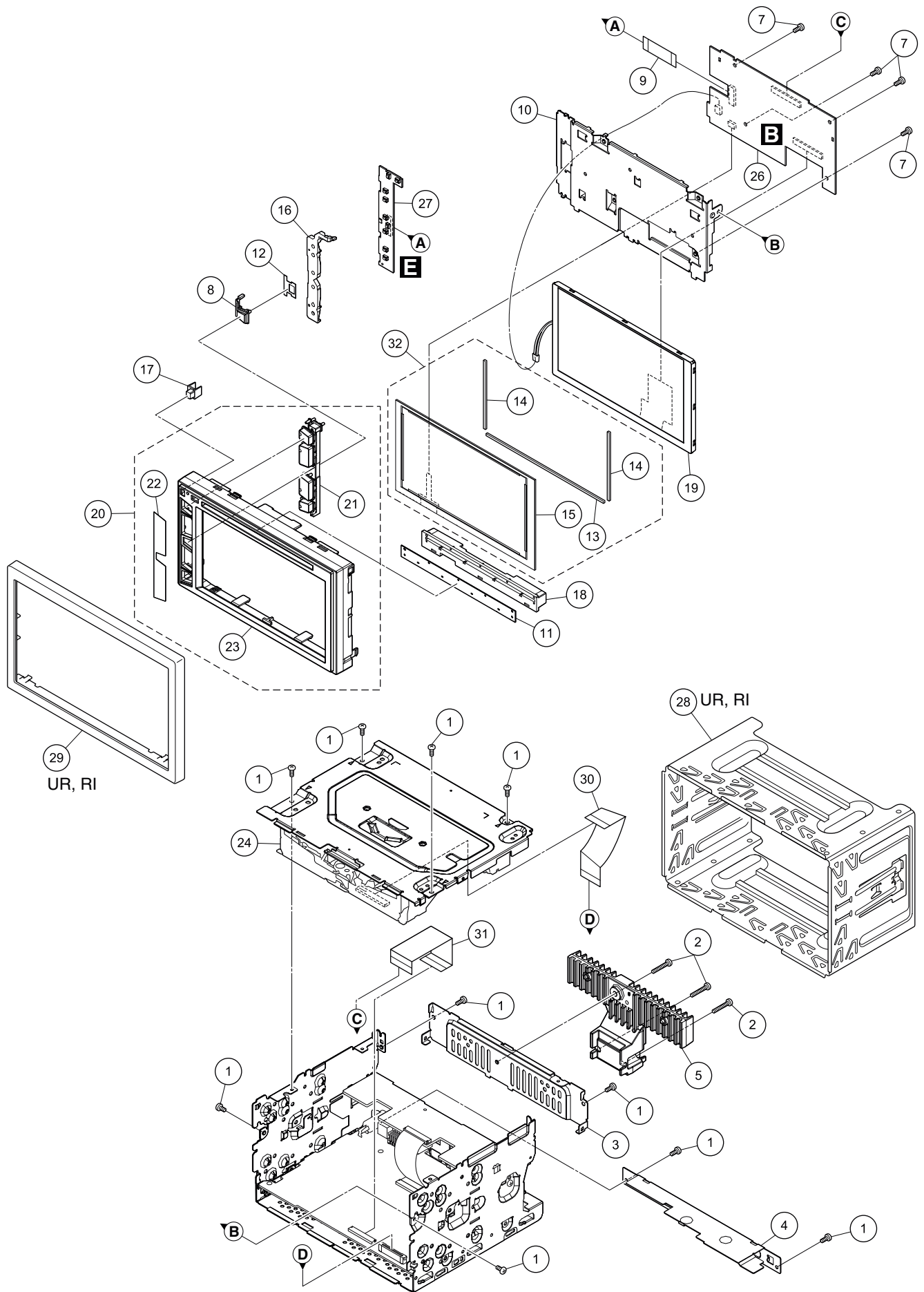
Mark	No.	Description	AVH-X1800S/ XNUC	AVH- X1800DVD/ XNUR	AVH- X1850DVD/ XNRC	AVH- X1850DVD/ XNRD	AVH- X1850DVD/ XNRI	AVH- X1890DVD/ XNID
	1	Cord Assy	CDP1665	CDP1670	CDP1665	CDP1665	CDP1665	CDP1665
	4	Screw	CBA2383	CBA2383	Not used	Not used	Not used	Not used
	6	Handle	Not used	CND6289	Not used	Not used	CND6289	Not used
	7	Cover	CEG1359	CEG1356	CEG1356	CEG1356	CEG1356	CEG1356
	8	Unit Box	CHG9132	CHG9140	CHG9133	CHG9134	CHG9141	CHG9135
	9	Contain Box	CHL9132	CHL9140	CHL9133	CHL9134	CHL9141	CHL9135
	10	Protector	CHP4598	CHP4599	CHP4598	CHP4598	CHP4599	CHP4598
	11	Card Remote Control Unit	CXE5116	Not used	CXE5116	CXE5116	CXE5116	CXE5116
	12	Panel	Not used	Not used	CNS9475	CNS9475	CNS9475	CNS9475
	13	Cord Assy	Not used	Not used	CDP1655	Not used	CDP1655	Not used
	14-1	Owner's Manual	CRD4924	CRB4734	CRD4925	CRD4926	CRD4927	CRB4735
*	14-2	Warranty Card	QRY3001	CRY1376	Not used	Not used	Not used	CRY1304
*	14-3	Service Network	Not used	Not used	Not used	Not used	Not used	CRY1305

Owner's Manual, Installation Manual

Pats No.	Language
CRD4924	English, French, Spanish(Espanol)
CRD4925	English, Traditional Chinese
CRD4926	English, Spanish(Espanol), Portuguese(B)
CRD4927	English, Arabic, Persian
CRB4734	Russian
CRB4735	English

5 6 7 8

9.2 EXTERIOR(1)



(1) EXTERIOR (1) SECTION PARTS LIST

<u>Mark No.</u>	<u>Description</u>	<u>Part No.</u>	<u>Mark No.</u>	<u>Description</u>	<u>Part No.</u>
1	Screw	BSZ26P060FTC	17	Lighting Conductor	CNW3303
2	Screw	BSZ26P120FTC	18	Holder	CNW3304
3	Holder	CND7211	19	TFT LCD	CWX4348
4	Holder	CND7212	20	Grille Assy	See Contrast table (2)
5	Heat Sink	CNR2170	21	Button	CAI4447
6	Service Unit	See Contrast table (2)	22	Plate	CNN4857
7	Screw	BSZ26P060FTC	23	Grille	See Contrast table (2)
8	Button (HOME)	CAI4448	24	DVD Mechanism Module (LS2.5)CXK8100	
9	FFC	CDE9768	25	•••••	
10	Holder	CND7198	26	Service Unit (Monitor)	CXX8381
11	Cover	CNN4865	27	Service Unit (Keyboard)	CXX8416
12	Sheet	CNN4864	28	Holder	See Contrast table (2)
13	Cushion	CNN4273	29	Panel	See Contrast table (2)
14	Cushion	CNN4964	30	FFC	CDD1069
15	Touch Panel	CSX1273	31	FFC	CDD1071
16	Lighting Conductor	CNW3302	32	Touch Panel Unit	CXE8371

(2) CONTRAST TABLE

AVH-X1800S/XNUC, AVH-X1800DVD/XNUR, AVH-X1850DVD/XNRC, AVH-X1850DVD/XNRD, AVH-X1850DVD/XNRI and AVH-X1890DVD/XNID are constructed the same except for the following:

Mark	No.	Description	AVH-X1800S/ XNUC	AVH- X1800DVD/ XNUR	AVH- X1850DVD/ XNRC	AVH- X1850DVD/ XNRD	AVH- X1850DVD/ XNRI	AVH- X1890DVD/ XNID
	20	Grille Assy	CXE8846	CXE8847	CXE8848	CXE8848	CXE8848	CXE8849
	23	Grille	CNU3417	CNU3418	CNU3419	CNU3419	CNU3419	CNU3420
	28	Holder	Not used	CND7102	Not used	Not used	CND7102	Not used
	29	Panel	Not used	CNU2645	Not used	Not used	CNU2645	Not used

(1) EXTERIOR (2) SECTION PARTS LIST

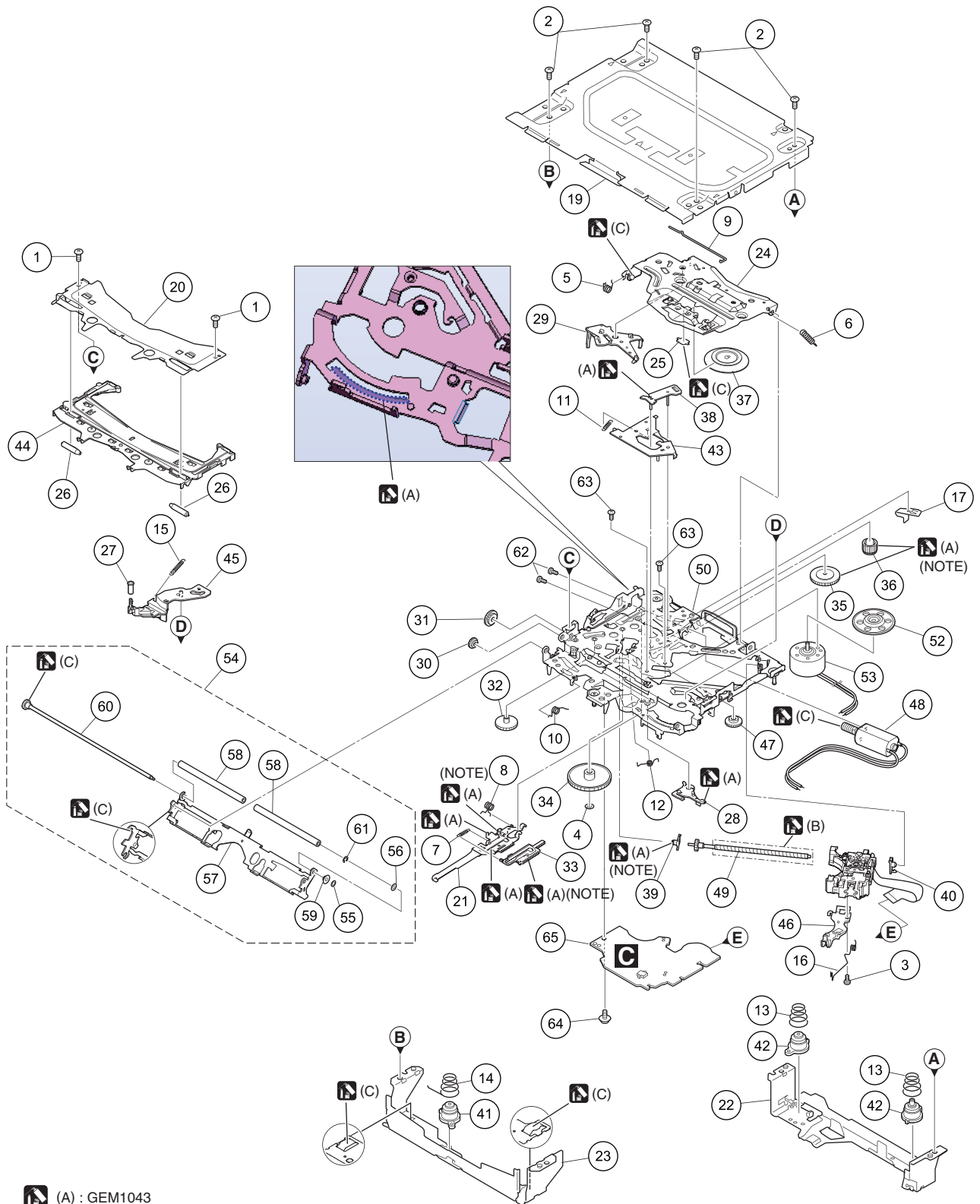
<u>Mark No.</u>	<u>Description</u>	<u>Part No.</u>	<u>Mark No.</u>	<u>Description</u>	<u>Part No.</u>
1	Screw	BSZ26P060FTC	10	
2	Cord Assy	See Contrast table (2)	11	Screw	BPZ26P080FTC
3		12	Screw	BSZ26P060FTC
4	Card Remote Control Unit	See Contrast table (2)	13	FFC	CDE9766
5	Battery Cover	See Contrast table (2)	14	Holder	See Contrast table (2)
6	Chassis	CNA3310	△ 15	Fuse (10 A)	YEK5001
7	Bracket	CND6985	16	Service Unit (Mother I/F)	See Contrast table (2)
8	Bracket	CND6986			
9				

(2) CONTRAST TABLE

AVH-X1800S/XNUC, AVH-X1800DVD/XNUR, AVH-X1850DVD/XNRC, AVH-X1850DVD/XNRD, AVH-X1850DVD/XNRI and AVH-X1890DVD/XNID are constructed the same except for the following:

Mark	No.	Description	AVH-X1800S/ XNUC	AVH- X1800DVD/ XNUR	AVH- X1850DVD/ XNRC	AVH- X1850DVD/ XNRD	AVH- X1850DVD/ XNRI	AVH- X1890DVD/ XNID
	2	Cord Assy	CDP1665	CDP1670	CDP1665	CDP1665	CDP1665	CDP1665
	4	Card Remote Control Unit	CXE5116	Not used	CXE5116	CXE5116	CXE5116	CXE5116
	5	Battery Cover	CNU1624	Not used	CNU1624	CNU1624	CNU1624	CNU1624
	14	Holder	CND7539	CND7202	CND7202	CND7202	CND7202	CND7202
	16	Service Unit (Mother I/F)	CXX8351	CXX8352	CXX8353	CXX8354	CXX8355	CXX8356

9.4 DVD MECHANISM MODULE(1)



- (A) : GEM1043
- (B) : GEM1045
- (C) : GEM1024

(NOTE) Apply grease to the whole part.

A
B
C
D
E
F

DVD MECHANISM MODULE (1) SECTION PARTS LIST

Mark No.	Description	Part No.	Mark No.	Description	Part No.
	1 Screw	BSZ20P040FTC	50	Chassis Unit	CXE8407
A	2 Screw	BSZ26P060FTC			
	3 Screw (M2 x 4)	CBA1835	51	*****	
	4 Washer	CBF1038	*	52 Support Wheel	CNW2052
	5 Spring	CBH2855	*	53 Spindle Motor	EXM2002
				54 Arm Assy	CXE7890
	6 Spring	CBH2860		55 Washer	CBF1037
	7 Spring	CBH3010			
	8 Spring	CBH3011	56	Washer	CBF1038
	9 Spring	CBH3014	57	Arm	CND6779
	10 Spring	CBH3015	58	Roller	CNW2500
B	11 Spring	CBH3016	59	Collar	CNW2444
	12 Spring	CBH3017	60	Gear Unit	CXE6225
	13 Spring	CBH3019	61	Washer	YE15FTC
	14 Spring	CBH3086	62	Screw	JFZ20P025FTC
	15 Spring	CBH3095	63	Screw	JGZ17P020FTC
			64	Screw (M2 x 5)	EBA1028
	16 Spring	CBH3096	65	DVD Core Unit	CWX4609
	17 Plate Spring	CBL1824			
	18 *****				
	19 Case	CNB3928	Pickup, Spindle Motor and Support Wheel are not available as service parts, because they need adjustment by special equipment after replacing.		
C	20 Bracket	CND4553			
	21 Lever	CND7225			
	22 Bracket	CND5710			
	23 Bracket	CND6127			
	24 Arm	CND7224			
	25 Sheet	CNN3678			
	26 Roller	CNW1172			
	27 Roller	CNW1175			
	28 Arm	CNW1177			
D	29 Arm	CNW1178			
	30 Gear	CNW1180			
	31 Gear	CNW1181			
	32 Gear	CNW1183			
	33 Rack	CNW1184			
	34 Gear	CNW1185			
	35 Gear	CNW1186			
	36 Gear	CNW1187			
	37 Clamper	CNW1190			
E	38 Arm	CNW1192			
	39 Holder	CNW1193			
	40 Holder	CNW1194			
	41 Damper	CNW2439			
	42 Damper	CNW2440			
	43 Arm	CNW1726			
	44 Guide	CNW3489			
	45 Arm	CNW2241			
	46 Rack	CNW2265			
F	47 Gear	CNW2287			
	48 Motor Unit	CXC4026			
	49 Screw Unit	CXC8894			

12. ELECTRICAL PARTS LIST

NOTE:

- Parts whose parts numbers are omitted are subject to being not supplied.
- The part numbers shown below indicate chip components.

Chip Resistor

RS1/○S○○○○J,RS1/○○S○○○○J

Chip Capacitor (except for CQS.....)

CKS....., CCS....., CSZS.....

- The \triangle mark found on some component parts indicates the importance of the safety factor of the part. Therefore, when replacing, be sure to use parts of identical designation.
- Meaning of the figures and others in the parentheses in the parts list.

Example) IC 301 is on the point (face A, 91 of x-axis, and 111 of y-axis) of the corresponding PC board.

IC 301 (A, 91, 111) IC NJM2068V

- The expression of the unit in this manual is shown by u instead of μ . Please do not make a mistake.

<u>Circuit Symbol and No.</u>	<u>Part No.</u>	<u>Circuit Symbol and No.</u>	<u>Part No.</u>
A:AVH-X1800S/XNUC		IC 101 (B,51,104) IC	NJW4181U3-33B
B:AVH-X1800DVD/XNUR		IC 111 (A,100,98) IC	NJW4184DL3-08A
C:AVH-X1850DVD/XNRC		IC 141 (A,125,63) IC	MM3479A33P
D:AVH-X1850DVD/XNRD		IC 160 (B,169,78) IC	RP132J001B-AE
E:AVH-X1850DVD/XNRI		IC 231 (B,121,71) IC	MM1856A50N
F:AVH-X1890DVD/XNID		IC 271 (B,147,31) IC	MM1856A58N
Unit Number:CXX8351(A)		IC 301 (B,160,44) IC	AN33012UA
Unit Number:CXX8352(B)		IC 351 (B,156,67) IC	KBD9876EFJ
Unit Number:CXX8353(C)		*IC401 (A,50,40) IC	MN103LF15RXW
Unit Number:CXX8354(D)		IC 601 (A,92,48) IC	MN1AA9010Z
Unit Number:CXX8355(E)		IC 603 (B,152,93) IC	MC74VHC1GT08DFG
Unit Number:CXX8356(F)		IC 851 (B,105,24) IC	MD56V82160A6TALA3L
Unit Name:Service Unit(Mother I/F)		IC 871 (B,79,55) Flash Memory IC(A)	W25Q64FVSSIG
Unit Number:CXX8381		IC 871 (B,79,55) Flash Memory IC(B,C,D,E,F)	W25Q16DVSSIG
Unit Name:Service Unit(Monitor)		IC 881 (B,79,43) Flash ROM Unit(A)	CWJ2177
Unit Number:CWX4609		IC 881 (B,79,43) Flash ROM Unit(B,C,D,E,F)	CWJ2175
Unit Name:DVD Core Unit		IC 891 (A,125,57) IC	337S3959
Unit Number:CXX8416		IC 901 (B,111,57) IC	AK8814VQ
Unit Name:Service Unit(Keyboard)		IC 931 (B,99,75) IC	NJM2283V
		IC 1101 (B,138,52) IC	AK4223VQ
		IC 1201 (B,138,82) IC	PM9015A
		IC 1271 (B,114,87) IC	NJW1240V
		IC 1301 (A,89,124) IC	PA2032A
Service Unit(Mother I/F)		IC 2004 (A,38,62) IC	MM3479A33P
Consists of		IC 2201 (A,41,76) IC	TEF6686HN
Mother PCB		IC 2401 (B,161,89) IC	AN33014UA
Interface PCB		IC 2501 (A,144,28) IC	TC7SZ32FUS1
		IC 3191 (B,156,103) IC	STCC2540IQ
		IC 3221 (B,76,73) IC	TC75S57FU
		IC 3231 (B,84,75) IC	BH7673G
Unit Number : CXX8351(A)		IC 3232 (B,90,81) IC	BH7673G
Unit Number : CXX8352(B)		IC 3233 (B,112,72) IC	BH7673G
Unit Number : CXX8353(C)		IC 3234 (B,99,84) IC	BH7673G
Unit Number : CXX8354(D)		IC 4001 (B,25,33) IC(A)	TC7SH126FU
Unit Number : CXX8355(E)		IC 4002 (B,21,35) IC(A)	MC74VHC1GT08DFG
Unit Number : CXX8356(F)		Q 11 (B,73,98) Transistor	HN1C01FU
Unit Name : Service Unit(Mother I/F)		Q 21 (B,60,130) Transistor	LTC014EEB
		Q 31 (B,65,127) Transistor	LTC014EEB
		Q 51 (B,41,127) Transistor	LSAR523UB
		Q 61 (B,52,130) Transistor	LSAR523UB

MISCELLANEOUS

	1	2	3	4
	<u>Circuit Symbol and No.</u>	<u>Part No.</u>	<u>Circuit Symbol and No.</u>	<u>Part No.</u>
A	Q 301 (A,168,45) Transistor	ATP112-H	L 703 (A,81,31) Chip Beads	VTL1126
	Q 302 (A,158,43) Transistor	ATP112-H	L 704 (A,82,29) Chip Beads	VTL1126
	Q 401 (A,55,58) Transistor	LSCR523UB	L 705 (A,82,31) Chip Beads	VTL1126
	Q 402 (A,31,38) Transistor(C,D,E,F)	RN4982	L 706 (A,83,29) Chip Beads	VTL1126
	Q 403 (B,60,56) Transistor(C,D,E,F)	RN4982	L 707 (A,83,31) Chip Beads	VTL1126
Q	Q 404 (B,39,38) Transistor(C,D,E,F)	RN4982	L 708 (A,84,29) Chip Beads	VTL1126
	Q 405 (B,65,54) Transistor(C,D,E,F)	RN4982	L 709 (A,85,31) Chip Beads	VTL1126
	Q 821 (B,80,69) Transistor	LSCR523UB	L 710 (A,85,29) Chip Beads	VTL1126
	Q 892 (A,125,53) Transistor	LSAR523UB	L 711 (A,86,31) Chip Beads	VTL1126
	Q 931 (B,94,69) Transistor	LSCR523UB	L 712 (A,86,29) Chip Beads	VTL1126
Q	Q 932 (B,89,72) Transistor	LSCR523UB	L 713 (A,87,31) Chip Beads	VTL1126
	Q 933 (B,86,71) Transistor	LSCR523UB	L 714 (A,88,29) Chip Beads	VTL1126
	Q 1271 (B,126,88) Transistor	LTC044EEB	L 715 (A,88,31) Chip Beads	VTL1126
	Q 1301 (A,97,111) Chip Transistor	RN1903	L 716 (A,89,29) Chip Beads	VTL1126
	Q 1303 (A,90,109) Transistor	LSCR523UB	L 717 (A,89,31) Chip Beads	VTL1126
Q	Q 3051 (B,79,87) Transistor	HN1B04FU	L 718 (A,90,29) Chip Beads	VTL1126
	Q 3101 (A,27,111) Chip Transistor	2SD2114K	L 720 (A,92,30) Chip Beads	VTL1126
	Q 3102 (A,31,110) Transistor	RN4984	L 725 (B,93,31) Chip Beads	VTL1126
	Q 3103 (A,24,110) Transistor	RN4984	L 750 (A,111,36) Inductor	CTF1645
	D 1 (B,68,107) Diode	D1F60-5053	L 851 (B,99,36) Inductor	CTF1786
D	D 2 (B,68,104) Diode	D1F60-5053	L 852 (A,113,36) Inductor	CTF1645
	D 3 (A,157,81) Diode	RB080L-30	L 871 (B,85,52) Inductor	CTF1786
	D 11 (B,74,101) Diode	DZ2J062M0	L 881 (B,85,44) Inductor	CTF1786
	D 12 (B,69,97) Diode	DZ2J068M0	L 882 (B,85,50) Inductor	CTF1740
	D 21 (B,60,127) Diode	DA2J101	L 901 (B,119,65) Coil	LCYA2R7J2016
D	D 32 (B,67,129) Diode	DZ2J056M0	L 902 (B,109,47) Coil	LCYA2R7J2016
	D 41 (A,75,118) Diode	CRG03	L 903 (B,105,66) Chip Beads	VTL1126
	D 51 (B,43,125) Diode	DA2J101	L 904 (A,114,56) Chip Beads	VTL1126
	D 61 (B,51,127) Diode	DA2J101	L 905 (A,110,55) Chip Beads	VTL1126
	D 101 (B,67,96) Diode	D1F60-5053	L 906 (A,114,55) Chip Beads	VTL1126
D	D 301 (A,163,42) Diode	RB056L-40	L 907 (A,110,54) Chip Beads	VTL1126
	D 302 (A,159,36) Diode	RB056L-40	L 908 (A,114,54) Chip Beads	VTL1126
	D 351 (A,155,66) Diode	RB056L-40	L 909 (A,110,53) Chip Beads	VTL1126
	D 401 (B,63,52) Diode	DB2J31400	L 910 (A,115,53) Chip Beads	VTL1126
	D 403 (B,60,47) Diode	DB2J31400	L 911 (A,111,52) Chip Beads	VTL1126
D	D 1301 (A,82,110) Diode	DA2J101	L 2201 (A,49,66) Inductor	CTF1749
	D 1302 (A,93,106) Diode	DZ2J082M0	L 2203 (A,33,86) Inductor	LCYC150K1608
	D 2201 (B,22,104) Diode	EZAEG2A50AX	L 2204 (A,34,92) Inductor	CTF1389
	D 2202 (A,37,94) Diode	EZAEG2A50AX	L 2205 (A,39,94) Inductor	LCMAR27J1608
	D 2203 (A,36,90) Diode	EZAEG2A50AX	L 2401 (A,161,86) Inductor	CTH1524
D	D 2401 (B,156,87) Diode	RB060M-30	L 2402 (B,156,83) Inductor	CTF1793
	D 2402 (A,155,87) Diode	D1F60-5053	L 2503 (A,145,31) Chip Beads	VTL1126
	D 3101 (A,23,117) Diode	DZ2S180C	L 3053 (B,76,77) Chip Beads(A)	VTL1126
	D 3102 (A,29,116) Diode	DZ2S180C	L 3054 (A,78,74) Chip Beads(A)	VTL1126
	D 3103 (A,36,116) Diode	DZ2S180C	L 3055 (A,77,73) Chip Beads(A)	VTL1126
E	D 3104 (A,33,116) Diode	DZ2S180C	L 3101 (A,23,118) Chip Beads	VTL1126
	D 3105 (A,34,111) Diode	DZ2J039M0	L 3102 (A,33,117) Chip Beads	VTL1126
	D 3152 (B,143,103) Diode	DZ2S180C	L 3103 (A,35,117) Chip Beads	VTL1126
	D 3153 (A,151,109) Diode	DZ2S180C	L 3104 (A,28,117) Chip Beads	VTL1126
	D 3154 (A,159,108) Diode	DZ2S180C	L 3151 (A,158,109) Chip Beads	VTL1126
D	D 3191 (A,163,104) Diode	EZAEG2A50AX	L 3152 (A,164,109) Chip Beads	VTL1126
	D 3192 (A,163,102) Diode	EZAEG2A50AX	L 3153 (A,152,110) Chip Beads	VTL1126
	L 1 (A,61,105) Choke Coil 600 uH	CTH1221	L 3154 (A,149,108) Chip Beads	VTL1126
	L 2 (A,159,75) Choke Coil 10 uH	CTH1486	L 3155 (B,141,105) Chip Beads	VTL1126
	L 301 (A,167,32) Choke Coil	CTH1381	L 3156 (B,143,105) Chip Beads	VTL1126
F	L 302 (A,157,31) Coil	CTH1519	L 3157 (A,137,109) Chip Beads	VTL1126
	L 351 (A,154,61) Coil	CTH1524	L 3161 (A,142,109) Chip Beads	VTL1126
	L 700 (A,77,33) Chip Beads	VTL1126	L 3162 (A,142,108) Chip Beads	VTL1126
	L 701 (A,80,31) Chip Beads	VTL1126	L 3163 (A,134,108) Chip Beads	VTL1126
	L 702 (A,80,29) Chip Beads	VTL1126	L 3164 (A,130,109) Chip Beads	VTL1126

5		6		7		8	
<u>Circuit Symbol and No.</u>		<u>Part No.</u>		<u>Circuit Symbol and No.</u>		<u>Part No.</u>	
L 3165	(A,127,108) Chip Beads	VTL1126		R 304	(B,151,43)	RS1/16SS3601D	
L 3166	(A,123,108) Chip Beads	VTL1126		R 305	(B,153,44)	RS1/16SS123J	
L 3191	(A,161,103) Coil	ATH7015		R 306	(B,166,39)	RS1/16SS103J	A
L 3231	(B,116,77) Coil	LCYA100J2016		R 308	(B,164,49) 11 mohm	CCN1341	
L 4001	(B,71,31) Chip Beads	VTL1126		R 309	(B,165,38)	RS1/16SS204J	
				R 310	(B,166,38)	RS1/16SS394J	
L 4002	(B,71,26) Chip Beads	VTL1126		R 311	(B,158,49) 12 mohm	CCN1321	
L 4005	(B,160,46) Chip Beads	VTL1126		R 312	(B,154,41)	RS1/16SS224J	
L 4006	(B,158,43) Chip Beads	VTL1126		R 313	(B,168,43)	RS1/16SS472J	
X 401	(A,50,56) Resonator 12.500MHz	CSS1839		R 314	(B,168,40)	RS1/16SS1101D	
X 601	(A,78,68) Resonator 24 MHz	CSS1773		R 315	(B,168,39)	RS1/16SS3000D	
X 2201	(A,50,73) Resonator 9.216MHz	CSS1867		R 316	(B,168,42)	RS1/16SS1002D	
P 2001	(A,74,89) Poly Switch(A)	FSMD110-24R		R 317	(B,170,41)	RS1/16SS511J	
P 2201	(B,20,104) Surge Absorber	IMSA-6803-01Y900		R 318	(B,172,40)	RS1/10SR0R0J	B
△P3051	(A,132,12) Fuse 750mA	CEK1398		R 322	(B,166,42)	RS1/16SS473J	
P 3152	(B,147,102) Poly Switch	FSMD075-24R		R 323	(B,166,41)	RS1/16SS473J	
P 3161	(B,102,107) Poly Switch	FSMD075-24R		R 351	(B,153,61)	RS1/16SS4701D	
P 4001	(A,101,28) Poly Switch	FSMD075-24R		R 352	(B,153,62)	RS1/16SS4702D	
P 4003	(B,80,11) Poly Switch	FSMD075-24R		R 353	(B,152,64)	RS1/16SS2202D	
CN2501	(A,151,10) Connector	VKN1620		R 354	(B,156,62)	RS1/16SS332J	
CN3051	(A,90,79) Connector	CKS6645		R 359	(A,151,53)	RS1/8SQ0R0J	
CN3202	(A,114,13) Connector	CKS6646		R 360	(B,155,58)	RS1/8SQ331J	
CN4001	(A,144,25) Connector	CKS4497		R 401	(A,64,55)	RS1/16SS472J	
CN4004	(B,86,45) Connector	CKS6605		R 402	(A,62,52)	RS1/16SS102J	
JA 1	(A,55,124) Connector	CKM1613		R 403	(B,62,53)	RS1/16SS103J	C
JA2201	(A,14,119) Antenna Jack	YKS5041		R 405	(A,60,54)	RS1/16SS471J	
JA3101	(A,30,133) Jack	CKN1106		R 406	(A,59,56)	RS1/16SS473J	
JA3151	(A,150,114) RCA Jack	CKB1110		R 407	(A,59,54)	RS1/16SS471J	
JA3161	(A,122,114) RCA Jack	CKB1113		R 408	(A,58,56)	RS1/16SS473J	
JA3191	(A,168,100) Jack	CKN1118		R 411	(B,54,51)	RS1/16SS472J	
JA4002	(A,14,12) Connector(A)	CKS6495		R 412	(B,53,51)	RS1/16SS472J	
JA4003	(A,40,14) Jack	CKS6437		R 413	(A,56,54)	RS1/16SS473J	
JA4004	(A,162,33) RCA Jack	CKB1106		R 414	(A,55,60)	RS1/16SS473J	
VL2201	(A,40,87) Variable Coil	CTC1216		R 415	(A,55,53)	RS1/16SS473J	
				R 417	(A,54,54)	RS1/16SS104J	
				R 418	(B,52,51)	RS1/16SS102J	D
RESISTORS							
R 11	(B,76,100)	RS1/16SS103J		R 419	(A,50,53)	RS1/16SS0R0J	
R 12	(B,76,102)	RS1/16SS473J		R 420	(B,44,55)	RS1/16SS102J	
R 13	(B,73,102)	RS1/16SS472J		R 421	(A,44,59)	RS1/16SS104J	
R 16	(B,71,96)	RS1/16SS104J		R 422	(A,42,53)	RS1/16SS473J	
R 17	(B,71,97)	RS1/16SS473J		R 423	(A,41,55)	RS1/16SS473J	
R 18	(B,56,109)	RS1/4SA102J		R 424	(A,40,55)	RS1/16SS121J	
R 21	(B,58,127)	RS1/16SS103J		R 425	(A,39,55)	RS1/16SS104J	
R 22	(B,63,129)	RS1/16SS472J		R 426	(A,38,55)	RS1/16SS121J	
R 23	(B,57,125)	RS1/4SA102J		R 430	(A,36,47)	RS1/16SS102J	
R 31	(B,64,124)	RS1/4SA102J		R 431	(A,36,49)	RS1/16SS473J	
R 32	(B,69,127)	RS1/16SS103J		R 435	(B,41,44)	RS1/16SS682J	
R 51	(B,39,125)	RS1/16SS102J		R 437	(B,39,44)	RS1/16SS0R0J	
R 52	(B,39,127)	RS1/16SS473J		R 441	(A,36,43)	RS1/16SS0R0J	
R 53	(B,43,127)	RS1/16SS223J		R 447	(A,36,38) (A,B)	RS1/16SS102J	
R 54	(B,46,127)	RS1/16SS103J		R 447	(A,36,38) (C,D,E,F)	RS1/16SS1001D	
R 61	(B,48,127)	RS1/16SS223J		R 448	(A,34,38) (C,D,E,F)	RS1/16SS6800D	
R 62	(B,49,126)	RS1/16SS102J		R 453	(A,37,34)	RS1/16SS101J	
R 63	(B,54,130)	RS1/16SS473J		R 457	(A,40,26)	RS1/16SS822J	
R 64	(B,54,127)	RS1/16SS103J		R 458	(A,41,27)	RS1/16SS471J	
R 160	(B,159,80)	RS1/16SS5601D		R 460	(A,45,27)	RS1/16SS473J	
R 161	(B,161,80)	RS1/16SS1202D		R 463	(B,44,32)	RS1/16SS104J	F
R 301	(B,151,40)	RS1/16SS561J		R 464	(B,44,31)	RS1/16SS473J	
R 302	(B,151,42)	RS1/16SS3302D		R 465	(A,48,27)	RS1/16SS473J	
R 303	(B,152,43)	RS1/16SS4301D		R 466	(A,37,42)	RS1/16SS222J	

	1	2	3	4
	<u>Circuit Symbol and No.</u>	<u>Part No.</u>	<u>Circuit Symbol and No.</u>	<u>Part No.</u>
	R 468 (B,51,26)	RS1/16SS473J	R 636 (B,73,62)	RS1/16SS104J
A	R 471 (A,53,26)	RS1/16SS221J	R 637 (B,77,63)	RS1/16SS473J
	R 472 (A,54,26)	RS1/16SS221J	R 639 (B,77,61)	RS1/16SS473J
	R 474 (A,56,26)	RS1/16SS221J	R 641 (B,81,61)	RS1/16SS103J
	R 475 (A,57,26)	RS1/16SS221J	R 642 (B,81,60)	RS1/16SS103J
	R 476 (A,58,25)	RS1/16SS221J	R 643 (A,73,56)	RS1/16SS4701D
	R 479 (A,59,25)	RS1/16SS104J	R 644 (A,73,57)	RS1/16SS1201D
	R 480 (A,67,26) (E,F)	RS1/16SS104J	R 645 (A,75,57)	RS1/16SS0R0J
	R 481 (A,65,26) (B,C,D)	RS1/16SS104J	R 646 (A,74,54)	RS1/16SS0R0J
	R 482 (A,67,27) (C,D)	RS1/16SS104J	R 651 (A,73,52)	RS1/16SS0R0J
	R 483 (A,65,27) (B,E,F)	RS1/16SS104J	R 653 (B,70,53)	RS1/16SS101J
	R 484 (A,67,28) (B,D,F)	RS1/16SS104J	R 654 (B,71,52)	RS1/16SS101J
	R 485 (A,65,28) (C,E)	RS1/16SS104J	R 685 (A,114,33)	RS1/10SR0R0J
B	R 487 (A,65,30)	RS1/16SS104J	R 686 (B,155,94)	RS1/16SS473J
	R 488 (A,67,31)	RS1/16SS104J	R 687 (B,152,96)	RS1/16SS103J
	R 493 (B,58,35)	RS1/16SS103J	R 688 (B,154,96)	RS1/16SS473J
		R 494 (B,61,35)	RS1/16SS221J	R 700 (A,98,69) (A)
	R 495 (A,65,36)	RS1/16SS104J	R 701 (A,77,30)	RS1/16SS560J
	R 496 (B,58,36)	RS1/16SS103J	R 703 (A,79,31)	RS1/16SS473J
	R 497 (B,61,36)	RS1/16SS221J	R 704 (A,80,27)	RS1/16SS390J
	R 499 (B,58,37)	RS1/16SS104J	R 705 (A,80,25)	RS1/16SS390J
	R 500 (B,58,38)	RS1/16SS104J	R 706 (A,81,27)	RS1/16SS390J
	R 501 (A,65,38)	RS1/16SS101J	R 707 (A,82,25)	RS1/16SS390J
C	R 502 (A,66,38)	RS1/16SS221J	R 708 (A,82,27)	RS1/16SS390J
	R 503 (A,65,39)	RS1/16SS221J	R 709 (A,83,25)	RS1/16SS390J
	R 504 (A,66,39)	RS1/16SS221J	R 710 (A,83,27)	RS1/16SS390J
		R 505 (B,61,41)	RS1/16SS104J	R 711 (A,84,25)
	R 506 (B,54,32)	RS1/16SS0R0J	R 712 (A,85,27)	RS1/16SS390J
	R 508 (B,60,49)	RS1/16SS103J	R 713 (A,85,25)	RS1/16SS390J
	R 510 (A,62,28)	RS1/16SS473J	R 714 (A,86,27)	RS1/16SS390J
	R 511 (A,65,47)	RS1/16SS471J	R 715 (A,86,25)	RS1/16SS390J
	R 512 (A,66,44)	RS1/16SS472J	R 716 (A,87,27)	RS1/16SS390J
	R 513 (A,64,48)	RS1/16SS471J	R 717 (A,88,25)	RS1/16SS390J
	R 514 (A,66,43)	RS1/16SS472J	R 718 (A,88,27)	RS1/16SS390J
	R 515 (A,65,49)	RS1/16SS221J	R 719 (A,89,25)	RS1/16SS390J
D	R 518 (A,38,50)	RS1/16SS0R0J	R 720 (A,89,27)	RS1/16SS390J
	R 519 (B,63,55) (C,D,E,F)	RS1/16SS6800D	R 721 (A,90,25)	RS1/16SS390J
	R 524 (B,64,58) (C,D,E,F)	RS1/16SS8201D	R 726 (B,93,33)	RS1/16SS101J
	R 525 (B,37,36) (C,D,E,F)	RS1/16SS8201D	R 727 (B,95,34)	RS1/16SS0R0J
	R 526 (B,61,54) (A,B)	RS1/16SS102J	R 730 (A,92,28)	RS1/16SS151J
	R 526 (B,61,54) (C,D,E,F)	RS1/16SS1001D	R 736 (A,108,33)	RS1/16SS472J
	R 602 (A,113,30)	RS1/10SR0R0J	R 739 (A,112,36)	RS1/16SS82R0D
	R 603 (A,107,64)	RS1/16SS473J	R 792 (A,112,38)	RS1/16SS47R0D
	R 605 (A,109,63)	RS1/16SS473J	R 793 (A,108,34)	RS1/16SS472J
	R 614 (A,99,67) (A)	RS1/16SS0R0J	R 794 (A,110,34)	RS1/16SS472J
	R 615 (A,98,67) (A)	RS1/16SS0R0J	R 795 (B,105,40)	RS1/16SS472J
E	R 616 (A,97,67)	RS1/16SS473J	R 797 (B,106,42)	RS1/16SS472J
	R 619 (B,85,62)	RS1/16SS0R0J	R 798 (B,106,43)	RS1/16SS472J
	R 620 (A,91,67)	RS1/16SS1R0J	R 803 (A,117,48)	RS1/16SS103J
	R 621 (B,84,63)	RS1/16SS1R0J	R 805 (A,113,47)	RS1/16SS473J
	R 622 (B,85,64)	RS1/16SS0R0J	R 806 (A,114,49)	RS1/16SS473J
	R 623 (B,84,64)	RS1/16SS0R0J	R 813 (A,110,60)	RS1/16SS472J
	R 625 (B,82,63)	RS1/16SS473J	R 821 (B,82,67)	RS1/16SS103J
	R 627 (B,79,67)	RS1/16SS473J	R 822 (B,78,68)	RS1/16SS0R0J
	R 628 (B,77,65)	RS1/16SS0R0J	R 823 (B,76,69)	RS1/16SS104J
	R 629 (A,79,65)	RS1/16SS105J	R 824 (B,77,69)	RS1/16SS153J
F	R 630 (A,81,67)	RS1/16SS102J	R 825 (B,80,70)	RS1/16SS471J
	R 631 (B,73,64)	RS1/16SS102J	R 827 (A,113,51)	RS1/16SS0R0J
	R 632 (A,74,62)	RS1/16SS0R0J	R 828 (A,111,51)	RS1/16SS0R0J
	R 633 (A,77,63)	RS1/16SS0R0J	R 841 (A,112,84)	RAB4CQ103J

5		6		7		8	
<u>Circuit Symbol and No.</u>		<u>Part No.</u>		<u>Circuit Symbol and No.</u>		<u>Part No.</u>	
R 851	(B,96,18)	RAB4CQ121J		R 951	(B,87,70)	RS1/16SS0R0J	
R 852	(B,96,21)	RAB4CQ121J		R 952	(B,85,69)	RS1/16SS0R0J	
R 853	(B,106,36)	RAB4CQ181J		R 953	(B,100,81)	RS1/16SS104J	A
R 854	(B,103,36)	RAB4CQ181J		R 960	(B,118,67)	RS1/16SS0R0J	
R 855	(B,101,36)	RAB4CQ181J		R 970	(B,115,47)	RS1/16SS222J	
R 856	(B,114,16)	RAB4CQ121J		R 971	(B,114,47)	RS1/16SS222J	
R 857	(B,114,21)	RAB4CQ121J		R 1113	(B,140,41)	RS1/16SS75R0D	
R 858	(B,113,25)	RS1/16SS121J		R 1114	(B,138,43)	RS1/16SS104J	
R 859	(B,114,30)	RS1/16SS181J		R 1115	(B,136,41)	RS1/16SS75R0D	
R 860	(B,113,30)	RS1/16SS181J		R 1116	(B,134,43)	RS1/16SS2200D	
R 861	(B,98,26)	RS1/16SS101J		R 1117	(B,127,48)	RS1/16SS0R0J	
R 862	(B,115,36)	RAB4CQ181J		R 1118	(B,132,48)	RS1/16SS75R0D	
R 863	(B,111,36)	RAB4CQ181J		R 1119	(B,137,43)	RS1/16SS101J	
R 864	(B,112,27)	RS1/16SS0R0J		R 1120	(B,136,43)	RS1/16SS101J	B
R 872	(B,77,51)	RS1/16SS0R0J		R 1122	(B,141,43)	RS1/16SS101J	
R 873	(B,78,51)	RS1/16SS0R0J		R 1123	(B,140,43)	RS1/16SS101J	
R 877	(B,84,56)	RS1/16SS101J		R 1124	(B,143,43)	RS1/16SS101J	
R 878	(B,84,57)	RS1/16SS101J		R 1125	(B,142,43)	RS1/16SS101J	
R 882	(B,85,39)	RS1/16SS101J		R 1131	(B,147,60)	RS1/16SS101J	
R 883	(B,81,37)	RS1/16SS0R0J		R 1132	(B,145,60)	RS1/16SS101J	
R 884	(B,76,37)	RS1/16SS101J		R 1133	(B,144,60)	RS1/16SS101J	
R 885	(B,75,37)	RS1/16SS101J		R 1134	(B,135,63)	RS1/16SS101J	
R 886	(B,83,50)	RS1/16SS271J		R 1135	(B,134,63)	RS1/16SS101J	
R 887	(B,85,48)	RS1/16SS101J		R 1136	(B,133,63)	RS1/16SS101J	
R 888	(B,76,50)	RS1/16SS101J		R 1141	(B,144,41) (B,C,D,E)	RS1/16SS0R0J	C
R 892	(A,129,55)	RS1/16SS473J		R 1142	(B,135,42)	RS1/10SR0R0J	
R 893	(A,125,55)	RS1/16SS183J		R 1143	(B,132,47)	RS1/16SS470J	
R 895	(A,128,56)	RS1/16SS222J		R 1144	(B,145,47) (B,C,D,E)	RS1/16SS104J	
R 896	(A,122,58)	RS1/16SS222J		R 1145	(B,146,47) (B,C,D,E)	RS1/16SS101J	
R 897	(A,115,59)	RS1/16SS220J		R 1148	(B,142,47) (A)	RS1/16SS0R0J	
R 898	(A,121,56)	RS1/16SS222J		R 1149	(B,144,50) (A)	RS1/16SS0R0J	
R 902	(B,107,66)	RS1/16SS820J		R 1214	(B,136,99)	RS1/16SS0R0J	
R 904	(B,115,63)	RS1/16SS103J		R 1228	(B,141,72)	RS1/16SS0R0J	
R 906	(A,116,56)	RS1/16SS561J		R 1232	(B,135,98)	RS1/16SS0R0J	
R 908	(A,112,55)	RS1/16SS561J		R 1236	(A,128,87)	RS1/10SR0R0J	
R 910	(A,116,55)	RS1/16SS561J		R 1271	(B,125,86)	RS1/16SS103J	D
R 912	(A,112,54)	RS1/16SS561J		R 1272	(B,120,82)	RS1/16SS684J	
R 914	(A,116,54)	RS1/16SS561J		R 1286	(B,120,84)	RS1/16SS100J	
R 916	(A,112,53)	RS1/16SS561J		R 1287	(B,120,87)	RS1/16SS102J	
R 918	(A,116,53)	RS1/16SS561J		R 1301	(A,97,113)	RS1/16SS683J	
R 920	(A,113,52)	RS1/16SS561J		R 1302	(A,99,113)	RS1/16SS683J	
R 921	(B,114,51)	RS1/16SS103J		R 1303	(A,99,115)	RS1/16SS152J	
R 922	(B,114,49)	RS1/16SS271J		R 1304	(A,100,116)	RS1/16SS101J	
R 923	(B,113,51)	RS1/16SS271J		R 1306	(A,75,114)	RS1/16SS103J	
R 924	(B,111,49)	RS1/16SS181J		R 1308	(A,93,104)	RS1/16SS103J	
R 925	(B,112,51)	RS1/16SS103J		R 1309	(A,88,109)	RS1/16SS104J	
R 926	(B,113,49)	RS1/16SS103J		R 1310	(A,87,110)	RS1/16SS473J	E
R 930	(B,107,50)	RS1/10SR0R0J		R 1314	(A,81,115)	RS1/16SS473J	
R 931	(B,105,56)	RS1/16SS6801D		R 1315	(A,79,114)	RS1/16SS102J	
R 932	(B,112,63)	RS1/16SS104J		R 1316	(A,77,113)	RS1/16SS0R0J	
R 933	(B,113,63)	RS1/16SS104J		R 2009	(B,35,44)	RS1/16SS102J	
R 934	(B,105,48)	RS1/16SS0R0J		R 2015	(A,70,87) (A)	RS1/4SA0R0J	
R 935	(B,93,81)	RS1/16SS0R0J		R 2204	(A,46,75)	RS1/16SS103J	
R 938	(B,94,71)	RS1/16SS0R0J		R 2206	(A,45,74)	RS1/16SS103J	
R 941	(B,93,68)	RS1/16SS471J		R 2207	(A,45,70)	RS1/16SS472J	
R 944	(B,90,70)	RS1/16SS471J		R 2208	(A,44,69)	RS1/16SS472J	
R 947	(B,83,71)	RS1/16SS471J		R 2209	(A,44,73)	RS1/16SS101J	F
R 948	(B,91,75)	RS1/16SS104J		R 2210	(A,43,72)	RS1/16SS101J	
R 949	(B,95,79)	RS1/16SS104J		R 2212	(A,31,85)	RS1/16SS391J	
R 950	(B,91,68)	RS1/16SS0R0J		R 2213	(B,23,104)	RS1/16SS105J	

	1	2	3	4
	<u>Circuit Symbol and No.</u>	<u>Part No.</u>	<u>Circuit Symbol and No.</u>	<u>Part No.</u>
	R 2214 (A,30,92)	RS1/16SS105J	R 3227 (B,73,74)	RS1/16SS103J
A	R 2242 (A,48,77)	RS1/16SS0R0J	R 3229 (A,73,49)	RS1/16SS0R0J
	R 2243 (A,41,81)	RS1/16SS0R0J	R 3231 (B,99,82)	RS1/16SS101J
	R 2244 (A,40,81)	RS1/16SS0R0J	R 3232 (B,108,69)	RS1/16SS101J
	R 2246 (A,82,67)	RS1/10SR0R0J	R 3233 (B,92,78)	RS1/16SS101J
	R 2247 (B,82,9)	RS1/10SR0R0J	R 4008 (A,93,27)	RAB4CQ750J
R 2401 (B,166,94)	RS1/16SS752J	R 4009 (B,127,38)	RS1/16SS223J	
R 2402 (B,159,99)	RS1/16SS102J	R 4010 (B,126,37)	RS1/16SS223J	
R 2403 (B,160,99)	RS1/16SS102J	R 4011 (B,123,38)	RS1/16SS562J	
R 2404 (B,157,99)	RS1/16SS102J	R 4012 (B,152,20)	RS1/16SS102J	
R 2405 (B,164,83)	RS1/16SS224J	R 4013 (B,147,20)	RS1/16SS102J	
R 2406 (B,161,83)	RS1/16SS1202D	R 4014 (B,145,20)	RS1/16SS471J	
R 2407 (B,163,96)	RS1/16SS152J	R 4015 (B,139,20)	RS1/16SS471J	
R 2408 (B,162,96)	RS1/16SS3302D	R 4019 (B,124,41)	RS1/16SS272J	
R 2409 (B,166,95)	RS1/16SS8201D	R 4020 (B,123,41)	RS1/16SS272J	
R 2410 (B,158,99)	RS1/16SS102J	R 4033 (B,45,28) (A)	RS1/16SS471J	
R 2413 (B,168,89)	RS1/16SS394J	R 4034 (B,42,29) (A)	RS1/16SS223J	
R 2414 (B,167,89)	RS1/16SS204J	R 4035 (B,44,28) (A)	RS1/16SS223J	
R 2416 (B,161,84)	RS1/16SS0R0J	R 4036 (B,41,29) (A)	RS1/16SS181J	
R 2420 (B,168,88)	RS1/16SS104J	R 4037 (B,41,27) (A)	RS1/16SS181J	
R 2421 (A,171,87) 0.039 ohm	CCN1325	R 4038 (B,6,30) (A)	RS1/10SR822J	
R 2505 (A,158,16)	RS1/16SS471J	R 4039 (B,19,32) (A)	RS1/10SR471J	
R 2506 (A,157,15)	RS1/16SS221J	R 4045 (B,6,28) (A)	RS1/16SS104J	
R 2507 (A,156,15)	RS1/16SS221J	R 4048 (B,155,46)	RS1/16SS75R0D	
R 2508 (A,155,18)	RS1/16SS221J	R 4064 (B,16,39) (A)	RS1/16SS471J	
R 2509 (A,154,18)	RS1/16SS221J	R 4065 (B,142,26)	RS1/16SS103J	
R 2510 (A,153,15)	RS1/16SS221J	CAPACITORS		
R 2511 (A,145,33)	RS1/10SR121J			
R 2516 (B,148,18)	RS1/10SR0R0J			
R 3058 (B,81,90)	RS1/16SS562J			
R 3059 (B,79,90)	RS1/16SS332J			
R 3060 (B,79,85)	RS1/16SS103J	C 1 (B,67,127)	CKSRYB104K50	
R 3061 (B,77,85)	RS1/16SS103J	C 4 (A,164,64) 4 700 uF/16 V	CCH1328	
R 3062 (B,81,88)	RS1/10SR222J	C 5 (A,167,75) 10 uF	CCG1236	
R 3118 (A,31,114)	RS1/16SS223J	C 6 (A,165,73)	CKSSYB102K50	
R 3119 (A,32,113)	RS1/16SS223J	C 7 (B,50,123)	CCSSCH102J50	
R 3126 (A,31,113)	RS1/16SS103J	C 8 (B,51,111)	CCSSCH102J50	
R 3127 (A,33,109)	RS1/16SS122J	C 9 (B,48,123)	CCSSCH102J50	
R 3128 (A,29,111)	RS1/16SS152J	C 10 (B,50,111)	CCSSCH102J50	
R 3129 (A,24,113)	RS1/16SS0R0J	C 11 (B,54,109)	CKSSYB102K50	
R 3152 (A,149,109)	RS1/16SS223J	C 12 (B,45,123)	CCSSCH102J50	
R 3153 (A,148,108)	RS1/16SS223J	C 13 (B,49,111)	CCSSCH102J50	
R 3162 (A,145,106)	RS1/16SS223J	C 14 (B,43,123)	CCSSCH102J50	
R 3164 (A,143,106)	RS1/16SS223J	C 15 (B,48,111)	CCSSCH102J50	
R 3168 (A,136,106)	RS1/16SS223J	C 16 (B,52,111)	CKSSYB102K50	
R 3171 (A,134,106)	RS1/16SS223J	C 17 (B,53,123)	CKSSYB102K50	
R 3174 (A,126,106)	RS1/16SS223J	C 18 (B,60,125)	CKSSYB102K50	
R 3177 (A,125,106)	RS1/16SS223J	C 19 (B,55,123)	CKSSYB102K50	
R 3181 (B,103,111)	RS1/10SR0R0J	C 21 (B,62,129)	CKSRYB105K10	
R 3193 (B,155,107)	RS1/16SS103J	C 23 (B,67,124)	CKSSYB102K50	
R 3194 (B,156,100)	RS1/16SS2402D	C 24 (B,69,109)	CKSSYB102K50	
R 3195 (B,153,105)	RS1/16SS102J	C 41 (A,72,122)	CKSSYB104K16	
R 3196 (B,159,106)	RS1/16SS103J	C 101 (A,61,93)	CEHAT331M16	
R 3197 (B,156,106)	RS1/16SS103J	C 102 (B,50,107)	CKSRYB104K50	
R 3221 (B,74,76)	RS1/16SS0R0J	C 103 (B,48,104)	CKSSYB104K10	
R 3222 (B,80,74)	RS1/16SS271J	C 104 (A,70,94)	CEVW470M16	
R 3223 (B,79,73)	RS1/16SS684J	C 111 (A,94,93) 1 uF	CCG1325	
R 3224 (B,76,76)	RS1/16SS1802D	C 112 (A,101,91)	CKSSYB104K16	
R 3225 (B,79,75)	RS1/16SS1302D	C 114 (A,96,93)	CKSRYB104K50	
R 3226 (B,73,73)	RS1/16SS682J	C 115 (A,111,94) 4.7 uF	CCG1222	
		C 116 (A,113,98)	CCSRCH101J50	
		C 141 (A,122,62)	CKSRYB105K10	

5		6	7		8
<u>Circuit Symbol and No.</u>		<u>Part No.</u>	<u>Circuit Symbol and No.</u>		<u>Part No.</u>
C 142	(A,124,66)	CKSRYB105K10	C 430	(A,66,48)	CKSSYB104K10
C 143	(A,126,66)	CKSSYB104K10	C 433	(B,59,44)	CKSSYB104K10
C 160	(B,161,77) 10 uF	CCG1192	C 436	(A,63,39)	CCSSCH471J50
C 161	(B,159,78) 10 uF	CCG1192	C 601	(A,103,65)	CKSSYB104K10
C 231	(B,124,72)	CKSRYB105K10	C 602	(A,102,66)	CKSRYB104K16
C 232	(B,118,71)	CKSRYB105K10	C 603	(A,98,65)	CKSSYB104K10
C 271	(B,147,28)	CKSRYB105K16	C 604	(A,97,66)	CKSSYB104K10
C 272	(B,147,34)	CKSRYB105K16	C 605	(A,94,65)	CKSSYB104K10
C 301	(B,152,42)	CCSSCH471J50	C 606	(A,92,68)	CKSSYB104K10
C 302	(B,153,45)	CKSSYB103K16	C 607	(A,91,70)	CKSRYB105K10
C 303	(B,155,44)	CCSSCH8R0D50	C 608	(B,85,60)	CKSSYB104K10
C 304	(B,166,43)	CCSSCH8R0D50	C 609	(B,83,61)	CKSRYB105K10
C 305	(B,168,44)	CKSSYB103K16	C 610	(B,84,66)	CKSSYB104K10
C 306	(B,168,41)	CCSSCH102J50	C 611	(B,83,66)	CKSSYB104K10
C 307	(B,165,33)	CKSSYB102K50	C 612	(B,79,65)	CKSSYB104K10
C 308	(B,165,34)	CKSSYB104K10	C 613	(A,81,69)	CCSSCH120J50
C 309	(B,164,30) 10 uF/16 V	DCH1263	C 614	(A,75,67)	CCSSCH100D50
C 310	(B,164,32) 10 uF/16 V	DCH1263	C 616	(B,73,63)	CKSSYB104K10
C 311	(B,165,27) 47 uF	CCG1229	C 617	(A,75,63)	CKSSYB104K10
C 316	(B,166,40)	CKSSYB104K10	C 618	(B,80,61)	CKSSYB104K10
C 319	(B,166,44)	CKSSYB104K16	C 619	(B,78,59) 1 uF	DCH1246
C 320	(B,152,46)	CKSSYB104K16	C 620	(A,76,55) 1 uF	DCH1246
C 321	(B,154,40)	CKSSYB104K10	C 621	(A,75,54)	CKSSYB104K10
C 322	(B,153,41)	CKSRYB105K10	C 622	(A,76,53)	CKSSYB104K10
C 324	(B,157,30) 47 uF	CCG1229	C 624	(A,74,51)	CKSSYB104K10
C 325	(B,158,32) 10 uF	CCG1192	C 625	(A,76,50)	CKSSYB104K10
C 326	(B,158,34) 10 uF	CCG1192	C 626	(A,75,45)	CKSSYB104K10
C 327	(B,159,36)	CKSSYB104K10	C 627	(A,76,45)	CKSSYB104K10
C 328	(B,159,37)	CKSSYB102K50	C 628	(A,76,38)	CKSSYB104K10
C 330	(B,162,49)	CKSRYB473K50	C 629	(A,75,37)	CKSSYB104K10
C 331	(B,160,49)	CKSSYB102K50	C 631	(B,82,34)	CKSRYB104K16
C 334	(B,160,51) 10 uF	CCG1236	C 632	(B,85,34)	CKSSYB104K10
C 351	(A,160,54)	CEVW470M16	C 633	(B,87,33)	CKSRYB104K16
C 352	(A,154,54)	CKSSYB103K16	C 634	(B,90,34)	CKSRYB104K16
C 353	(A,154,56) 10 uF	CCG1192	C 635	(A,94,32)	CKSRYB104K16
C 356	(B,155,62)	CKSSYB682K25	C 636	(A,99,30)	CKSSYB104K10
C 357	(B,159,63)	CKSSYB103K16	C 637	(A,99,32)	CKSRYB104K16
C 358	(B,161,72) 10 uF	CCG1236	C 638	(A,102,32)	CKSRYB104K16
C 359	(B,157,73)	CKSRYB103K50	C 639	(A,109,36)	CKSRYB104K16
C 401	(A,53,56)	CCSSCH100D50	C 641	(A,109,39)	CKSRYB104K16
C 402	(A,48,53)	CCSSCH120J50	C 642	(A,110,42)	CKSRYB104K16
C 403	(A,46,56)	CKSRYB105K10	C 643	(A,109,43)	CKSSYB104K10
C 404	(A,46,54)	CKSSYB104K10	C 644	(A,109,45)	CKSRYB104K16
C 405	(A,43,55)	CKSRYB105K10	C 645	(A,109,48)	CKSRYB104K16
C 406	(A,44,54)	CKSSYB104K10	C 646	(A,110,52)	CKSSYB104K10
C 407	(A,45,53)	CKSSYB102K50	C 647	(A,109,52)	CKSSYB104K10
C 408	(A,36,48)	CKSSYB104K10	C 648	(A,108,56)	CKSSYB104K10
C 409	(A,38,32)	CKSSYB104K10	C 649	(A,108,61)	CKSSYB104K10
C 410	(A,36,32)	CKSRYB105K10	C 651	(B,88,37) 0.1 uF	CCG1321
C 414	(A,51,27)	CKSSYB104K10	C 652	(B,93,34)	CCSSCH330J50
C 415	(A,50,26)	CKSRYB105K10	C 653	(A,76,28)	CCSSCH330J50
C 419	(A,64,53) 0.1 uF	CCG1321	C 654	(B,152,98)	CKSRYB105K10
C 420	(A,66,53)	CKSSYB103K16	C 655	(B,152,91)	CKSSYB104K10
C 421	(A,65,53)	CCSSCH102J50	C 656	(A,109,28)	CCSRCH102J50
C 422	(A,63,45)	CKSSYB104K10	C 657	(A,109,31) 0.1 uF	CCG1321
C 423	(A,64,45)	CKSRYB105K10	C 658	(A,110,31)	CCSRCH102J50
C 424	(B,59,45)	CKSSYB104K10	C 661	(A,112,32) 10 uF	CCG1192
C 425	(A,63,50)	CKSSYB104K10	C 664	(A,112,28) 10 uF	CCG1192
C 427	(A,63,55)	CKSSYB104K10	C 668	(B,85,20)	CCSSCH560J50
C 429	(A,66,46)	CKSSYB104K10	C 669	(B,83,20)	CCSSCH560J50

1

2

3

4

Circuit Symbol and No.**Part No.****Circuit Symbol and No.****Part No.**

C 670	(B,83,24)	CCSSCH560J50		
C 671	(B,82,24)	CCSSCH560J50	C 1101	(B,145,53) CKSRYB105K10
C 672	(B,81,21)	CCSSCH560J50	C 1102	(B,145,51) CKSSYB104K10
C 673	(B,80,21)	CCSSCH560J50	C 1106	(B,143,45) CKSSYB104K10
			C 1108	(B,142,45) CKSSYB104K10
			C 1110	(B,141,45) CKSSYB104K10
C 674	(B,90,24)	CCSSCH560J50		
C 675	(B,90,20)	CCSSCH560J50		
C 676	(B,86,25)	CCSSCH560J50	C 1112	(B,140,45) CKSSYB104K10
C 677	(B,85,25)	CCSSCH560J50	C 1114	(B,139,45) CKSSYB104K10
C 678	(B,87,18)	CCSSCH560J50	C 1115	(B,135,60) CKSRYB105K10
			C 1116	(B,138,45) CKSSYB104K10
			C 1117	(B,134,60) CKSRYB105K10
C 679	(B,86,19)	CCSSCH560J50		
C 680	(B,91,27)	CCSSCH560J50		
C 681	(B,90,26)	CCSSCH560J50	C 1118	(B,137,45) CKSSYB104K10
C 682	(B,92,20)	CCSSCH560J50	C 1119	(B,133,60) CKSRYB105K10
C 683	(B,92,25)	CCSSCH560J50	C 1120	(B,136,45) CKSSYB104K10
			C 1122	(B,135,45) CKSSYB104K10
			C 1124	(B,134,45) CKSSYB104K10
C 684	(B,91,20)	CCSSCH560J50		
C 685	(B,88,25)	CCSSCH560J50		
C 693	(A,117,50)	CKSSYB102K50	C 1126	(B,133,45) CKSSYB104K10
C 700	(A,110,36)	CCSSCH8R0D50	C 1127	(B,128,51) 10 uF CCG1192
C 821	(B,76,67) 10 uF	CCG1192	C 1128	(B,132,50) CKSSYB104K10
C 823	(A,85,68)	CKSRYB105K10	C 1129	(B,132,51) CKSSYB104K10
			C 1132	(B,131,56) 10 uF CCG1192
C 824	(A,84,71)	CKSRYB105K10		
C 851	(B,97,14)	CKSSYB104K10	C 1133	(B,130,52) 10 uF CCG1192
C 852	(B,97,16)	CKSSYB104K10	C 1134	(B,146,50) (B,C,D,E) CKSSYB104K10
C 853	(B,96,24)	CKSSYB104K10	C 1135	(B,131,48) CCSSCH181J50
C 854	(B,98,23)	CKSSYB104K10	C 1136	(B,144,57) CKSRYB105K10
			C 1137	(B,145,57) CKSRYB105K10
C 855	(B,98,34)	CKSSYB104K10		
C 856	(B,112,23)	CKSSYB104K10	C 1138	(B,146,57) CKSRYB105K10
C 857	(B,112,18)	CKSSYB104K10	C 1201	(B,131,87) (A) CKSRYB105K10
C 858	(B,114,26)	CCSSCH8R0D50	C 1202	(A,136,91) CEVW470M16
C 860	(B,99,12)	CKSSYB102K50	C 1203	(A,132,86) CKSSYB104K10
C 871	(B,84,52)	CKSSYB104K10	C 1206	(A,126,80) CEVW470M16
C 882	(B,85,43)	CKSSYB104K10	C 1207	(B,133,89) (A) CKSRYB105K10
C 891	(A,122,52)	CKSSYB104K10	C 1208	(B,132,91) CKSRYB105K10
C 892	(A,123,54)	CKSSYB104K10	C 1209	(B,134,91) CKSRYB105K10
C 893	(A,122,56)	CKSSYB103K16	C 1210	(B,134,94) CKSRYB105K10
C 894	(B,84,60)	CKSSYB102K50	C 1211	(B,135,94) CKSRYB105K10
C 901	(B,110,64)	CCSSCH560J50	C 1212	(B,136,91) CKSRYB105K10
C 902	(B,117,63) 10 uF	CCG1192	C 1213	(B,137,91) CKSRYB105K10
C 903	(B,116,57)	CKSSYB104K10	C 1214	(B,138,94) CKSRYB105K10
C 904	(B,109,52)	CKSSYB103K16	C 1215	(B,139,94) CKSRYB105K10
C 905	(B,105,54)	CKSSYB103K16	C 1216	(B,139,91) CKSRYB105K10
C 906	(B,105,52) 10 uF	CCG1192	C 1217	(B,141,91) CKSRYB105K10
C 907	(B,107,53)	CKSSYB103K16	C 1218	(B,141,94) CKSRYB105K10
C 908	(B,106,47) 10 uF	CCG1192	C 1219	(B,142,94) CKSRYB105K10
C 909	(B,105,57)	CKSSYB103K16	C 1220	(B,143,91) CKSRYB105K10
C 910	(B,112,65)	CKSSYB104K10	C 1221	(B,145,90) (A) CKSRYB105K10
C 912	(B,110,63)	CKSSYB104K10	C 1222	(B,146,88) (A) CKSRYB105K10
C 931	(B,96,82) 10 uF	CCG1192	C 1223	(A,144,80) CEVW470M16
C 932	(B,105,69) 10 uF	CCG1192	C 1224	(A,134,79) 10 uF CCG1332
C 933	(B,91,77) 10 uF	CCG1192	C 1225	(A,129,72) CKSSYB104K10
C 934	(B,94,74) 10 uF	CCG1192	C 1226	(A,135,70) CEVW470M16
C 935	(B,96,80) 10 uF	CCG1192	C 1228	(B,140,75) CKSSYB104K10
C 936	(B,102,79) 10 uF	CCG1192	C 1229	(B,136,75) CKSSYB104K10
C 937	(B,101,68)	CKSSYB103K16	C 1231	(A,130,84) CCSSCH151J50
C 938	(A,89,66)	CKSRYB105K10	C 1232	(A,130,86) CKSSYB102K50
C 939	(A,89,71)	CKSRYB105K10	C 1234	(A,143,86) CCSSCH151J50
C 940	(A,88,66)	CKSRYB105K10	C 1237	(B,127,81) 0.1 uF CCG1311
C 941	(A,87,71)	CKSRYB105K10	C 1238	(B,148,81) 0.1 uF CCG1311
C 942	(A,86,66)	CKSRYB105K10	C 1239	(A,143,97) CKSSYB102K50
C 943	(A,86,71)	CKSRYB105K10	C 1241	(A,135,77) CKSSYB472K50
C 944	(A,119,68)	CEVW470M16	C 1271	(B,105,87) 1 uF CCG1325

1

2

3

4

5		6		7		8	
<u>Circuit Symbol and No.</u>		<u>Part No.</u>		<u>Circuit Symbol and No.</u>		<u>Part No.</u>	
C 1272	(B,119,92) 1 uF	CCG1325		C 2514	(A,168,18) 10 uF	CCG1192	
C 1273	(B,121,92) 1 uF	CCG1325		C 3006	(A,95,12) 10 uF	CCG1192	
C 1274	(B,123,92) 1 uF	CCG1325		C 3007	(A,86,13)	CEVW101M16	A
C 1275	(B,125,92) 1 uF	CCG1325		C 3010	(A,91,16)	CKSSYB102K50	
C 1276	(B,126,92) 1 uF	CCG1325		C 3125	(A,33,110)	CKSSYB471K50	
				C 3126	(A,53,65)	CCSSCH102J50	
C 1277	(B,119,78) 1 uF	CCG1325		C 3127	(B,26,131)	CKSRYB102K50	
C 1278	(B,121,83) 1 uF	CCG1325		C 3128	(B,33,131)	CKSRYB102K50	
C 1279	(B,123,83) 1 uF	CCG1325		C 3129	(B,35,131)	CKSRYB102K50	
C 1280	(B,108,84) 1 uF	CCG1325		C 3130	(B,27,131)	CCSSCH101J50	
C 1282	(B,103,87) 1 uF	CCG1325		C 3151	(A,162,108)	CKSRYB104K50	
C 1283	(B,128,92) 1 uF	CCG1325		C 3152	(A,152,108)	CKSRYB104K50	
C 1301	(A,101,114) 4.7 uF	CCG1201		C 3154	(A,138,109)	CKSRYB104K50	
C 1304	(B,94,110)	CKSRYB474K16		C 3156	(B,145,100)	CCSSCH271J50	B
C 1305	(B,84,110)	CKSRYB474K16		C 3157	(B,146,94)	CKSRYB102K50	
C 1306	(A,93,114)	CCG1322		C 3161	(A,145,107) (A,C)	CCSSCH270J50	
C 1307	(A,88,114) 4.7 uF	CCG1291		C 3162	(A,143,107) (A,C)	CCSSCH270J50	
C 1308	(A,83,111)	CCG1286		C 3163	(A,136,107) (A,C)	CCSSCH270J50	
C 1313	(A,83,100) 4700 uF/16V	CCH2085		C 3164	(A,134,107) (A,C)	CCSSCH270J50	
C 1315	(A,84,115) 0.1 uF	CCG1311		C 3165	(A,126,107) (A,C)	CCSSCH270J50	
C 1316	(A,85,111)	CCG1281		C 3166	(A,125,107) (A,C)	CCSSCH270J50	
C 1318	(B,91,110) 0.47 uF	CCG1317		C 3167	(A,148,106) 4.7 uF	CCG1201	
C 1319	(B,87,110) 0.47 uF	CCG1317		C 3168	(A,140,106) 4.7 uF	CCG1201	
C 1320	(A,90,114) 4.7 uF	CCG1291		C 3169	(A,138,106) 4.7 uF	CCG1201	
C 2010	(A,35,60)	CKSRYB105K10		C 3170	(A,131,105) 4.7 uF	CCG1201	C
C 2011	(A,43,61)	CKSRYB105K10		C 3171	(A,129,106) 4.7 uF	CCG1201	
C 2017	(A,35,62)	CKSSYB104K10		C 3172	(A,122,105) 4.7 uF	CCG1201	
C 2202	(A,51,64)	CKSSYB104K10		C 3191	(B,161,101) 10 uF	CCG1192	
C 2203	(A,51,68)	CKSSYB104K10		C 3192	(B,155,99)	CKSSYB104K10	
C 2204	(A,52,67) 10 uF	CCG1192		C 3221	(B,76,75)	CKSSYB104K10	
C 2205	(A,41,68) 10 uF	CCG1192		C 3222	(B,78,75)	CKSSYB104K10	
C 2206	(A,44,80)	CKSSYB104K10		C 3231	(B,81,75)	CKSSYB104K10	
C 2208	(A,42,81)	CKSSYB224K6R3		C 3232	(B,114,76) 10 uF	CCG1192	
C 2209	(A,42,82)	CKSSYB102K50		C 3233	(B,89,79)	CKSSYB104K10	
C 2210	(A,38,80)	CKSSYB104K10		C 3234	(B,114,74)	CKSSYB104K10	
C 2212	(A,37,93)	CCSSCH220J50		C 3235	(B,100,82)	CKSSYB104K10	D
C 2213	(A,37,91)	CCSSCH271J50		C 3236	(B,87,75)	CKSRYB105K10	
C 2216	(A,41,72)	CKSSYB104K10		C 3237	(B,87,77)	CKSRYB105K10	
C 2219	(A,33,83)	CCSSCH102J50		C 3238	(B,93,83)	CKSRYB105K10	
C 2220	(A,34,95)	CCSSCH471J50		C 3239	(B,90,84)	CKSRYB105K10	
C 2224	(A,36,78)	CKSSYB152K50		C 3240	(B,111,75)	CKSRYB105K10	
C 2234	(A,35,95)	CCSSCH100D50		C 3241	(B,109,71)	CKSRYB105K10	
C 2238	(A,52,81)	CKSSYB102K50		C 3242	(B,96,85)	CKSRYB105K10	
C 2401	(B,167,93)	CKSSYB222K50		C 3243	(B,96,84)	CKSRYB105K10	
C 2402	(B,166,93)	CCSSCH270J50		C 4001	(B,27,35) (A)	CKSSYB104K10	
C 2403	(B,158,84)	CKSSYB104K16		C 4002	(B,21,36) (A)	CKSSYB104K10	
C 2404	(A,160,95)	CEVW470M16		C 4004	(B,139,38)	CKSRYB102K50	E
C 2405	(A,168,94)	CEVW101M16		C 4013	(A,8,27) (A)	CKSRYB104K50	
C 2406	(B,167,91)	CKSRYB105K10		C 4014	(B,142,41)	CKSSYB102K50	
C 2407	(B,163,83)	CKSSYB102K50		C 4015	(B,149,20)	CKSSYB102K50	
C 2408	(B,165,83)	CKSSYB472K25		C 4016	(B,150,20)	CKSSYB102K50	
C 2409	(B,160,83)	CKSSYB104K16		C 4017	(B,144,20)	CCSSCH180J50	
C 2410	(B,164,95)	CCSSCH681J50		C 4018	(B,141,20)	CCSSCH180J50	
C 2412	(B,161,95) 0.1 uF	CCG1286		C 4019	(B,72,27)	CKSSYB102K50	
C 2414	(A,171,90)	CKSSYB104K10		C 4020	(B,72,30)	CKSSYB102K50	
C 2415	(A,167,87) 22 uF	CCG1254		C 4023	(B,143,27)	CKSSYB102K50	
C 2504	(B,164,16)	CKSSYB104K16		C 4039	(B,156,44)	CKSSYB221K50	F
C 2506	(B,155,12)	CCSSCH221J50		C 4040	(B,157,46)	CKSSYB102K50	
C 2509	(A,142,28)	CKSSYB104K10		C 4041	(A,125,30)	CCSRCH102J50	
C 2512	(A,144,35)	CCSSCH390J50		C 4042	(B,139,29)	CKSRYB102K50	
C 2513	(A,167,18) 10 uF	CCG1192					

1
Circuit Symbol and No.

2
Part No.

3
Circuit Symbol and No.

4
Part No.

B

Unit Number: CXX8381

Unit Name : Service Unit(Monitor)

MISCELLANEOUS

IC 5001 (A,115,22) IC AK4187VN
 IC 5101 (A,108,52) IC OZ527ILN
 IC 5201 (A,27,56) IC R1290K103A
 Q 5001 (A,103,36) Transistor HN1C01FU
 Q 5002 (A,100,39) Transistor LSCR523UB

Q 5201 (A,32,62) Transistor LTC024EEB
 Q 5202 (A,19,59) Transistor 2SAR502UB
 Q 5301 (A,37,58) Transistor LSAR523UB
 Q 5302 (A,40,53) Transistor LSCR523UB
 D 5001 (B,120,16) Diode DZ2S068C

D 5002 (B,118,18) Diode DZ2S068C
 D 5003 (B,116,18) Diode DZ2S068C
 D 5004 (B,114,16) Diode DZ2S068C
 D 5005 (A,109,32) Diode DZ2S068C
 D 5006 (A,109,33) Diode DZ2S068C

D 5101 (A,107,59) Diode RB060M-30
 D 5102 (A,80,59) Diode CRG03
 D 5201 (A,21,50) Diode DB2J41100
 D 5202 (B,21,66) Diode RB548W
 D 5203 (B,23,66) Diode RB548W

D 5204 (B,19,60) Diode RB548W
 L 5102 (A,104,60) Coil CTH1558
 L 5201 (A,21,54) Choke Coil 22 uH CTH1426
 L 5301 (B,14,37) Inductor CTF1765
 TH5001 (A,77,5) Thermistor CCX1084

CN5001 (A,116,11) Connector CKS6625
 CN5002 (A,134,17) Connector CKS4428
 CN5003 (A,60,63) Connector CKS6646
 CN5004 (A,116,36) Connector CKS6063
 CN5301 (A,33,35) Connector CKS6646

RESISTORS

R 5006 (A,117,19) RS1/16SS221J
 R 5010 (A,118,21) RS1/16SS621J
 R 5011 (A,118,23) RS1/16SS181J
 R 5012 (B,118,24) RS1/16SS680J
 R 5021 (A,104,37) RS1/16SS680J

R 5022 (A,105,37) RS1/16SS560J
 R 5024 (A,101,34) RS1/16SS680J
 R 5025 (A,100,35) RS1/16SS560J
 R 5027 (A,98,38) RS1/16SS680J
 R 5028 (A,97,37) RS1/16SS560J

R 5030 (A,105,36) RS1/16SS272J
 R 5031 (A,103,33) RS1/16SS272J
 R 5032 (A,98,39) RS1/16SS272J
 R 5033 (A,77,9) RS1/16SS183J
 R 5040 (A,96,71) RS1/16SS0R0J

R 5104 (B,109,55) RS1/16SS104J
 R 5105 (B,105,50) RS1/16SS104J
 R 5106 (B,102,55) RS1/16SS102J
 R 5107 (A,105,49) RS1/16SS223J
 R 5109 (A,105,47) RS1/16SS563J

R 5110 (A,109,48)
 R 5111 (A,110,48)
 R 5112 (A,111,56)
 R 5113 (A,111,55)
 R 5114 (A,113,55)

R 5119 (B,113,57)
 R 5121 (B,114,55)
 R 5123 (A,105,56)
 R 5201 (A,29,62)
 R 5202 (A,29,60)

R 5203 (A,30,61)
 R 5206 (B,23,58)
 R 5207 (B,29,59)
 R 5208 (B,29,58)
 R 5209 (B,30,55)

R 5210 (A,21,57)
 R 5211 (A,32,58)
 R 5212 (B,26,61)
 R 5213 (B,27,61)
 R 5214 (A,19,50)

R 5216 (A,31,52)
 R 5217 (A,31,54)
 R 5218 (A,33,54)
 R 5219 (A,30,52)
 R 5220 (A,28,50)

R 5231 (A,20,63)
 R 5232 (A,16,61)
 R 5301 (A,9,39)
 R 5302 (A,9,37)
 R 5303 (A,8,36)

R 5304 (A,9,35)
 R 5305 (A,8,34)
 R 5307 (A,8,32)
 R 5309 (A,8,30)
 R 5310 (A,9,29)

R 5311 (A,8,28)
 R 5312 (A,9,27)
 R 5313 (A,8,26)
 R 5314 (A,9,25)
 R 5315 (A,8,24)

R 5316 (A,9,23)
 R 5317 (A,10,22)
 R 5318 (A,11,23)
 R 5319 (A,12,22)
 R 5320 (A,13,23)

R 5321 (A,14,22)
 R 5322 (A,15,21)
 R 5323 (B,27,38)
 R 5325 (B,32,36)
 R 5331 (A,41,59)

R 5333 (A,39,59)
 R 5335 (A,39,57)
 R 5336 (A,37,54)
 R 5337 (A,36,54)
 R 5339 (A,34,50)

R 5340 (A,40,55)
 R 5341 (A,39,55)
 R 5344 (B,32,42)
 R 5345 (B,33,41)
 R 5346 (B,31,40)

RS1/16SS104J
 RS1/16SS101J
 RS1/16SS102J
 RS1/16SS2702D
 RS1/16SS3901D

RS1/16SS105J
 RS1/16SS154J
 RS1/8SQ2R2J
 RS1/16SS8201D
 RS1/16SS6800D

RS1/16SS1502D
 RS1/16SS9102D
 RS1/16SS1802D
 RS1/16SS203J
 RS1/16SS104J

RS1/16SS103J
 RS1/16SS472J
 RS1/16SS1003D
 RS1/16SS9101D
 RS1/8SQ2R2J

RS1/16SS1203D
 RS1/16SS3001D
 RS1/16SS1502D
 RS1/16SS472J
 RS1/16SS0R0J

RS1/16SS103J
 RS1/16SS332J
 RS1/16SS3R9J
 RS1/16SS270J
 RS1/16SS221J

RS1/16SS750J
 RS1/16SS560J
 RS1/16SS510J
 RS1/16SS151J
 RS1/16SS270J

RS1/16SS131J
 RS1/16SS131J
 RS1/16SS151J
 RS1/16SS240J
 RS1/16SS330J

RS1/16SS270J
 RS1/16SS510J
 RS1/16SS220J
 RS1/16SS151J
 RS1/16SS151J

RS1/16SS330J
 RS1/16SS1R0J
 RS1/16SS473J
 RS1/16SS473J
 RS1/16SS153J

RS1/16SS105J
 RS1/16SS153J
 RS1/16SS472J
 RS1/16SS101J
 RS1/8SQ0R0J

RS1/16SS273J
 RS1/16SS474J
 RS1/16SS473J
 RS1/16SS473J
 RS1/16SS473J

5
Circuit Symbol and No.

R 5349 (A,30,40)

CAPACITORS

C 5001 (B,118,15)
C 5002 (B,117,16)
C 5003 (B,116,16)
C 5004 (B,115,15)
C 5005 (A,113,17) 10 uF

C 5006 (A,110,27) 10 uF
C 5007 (A,112,21)
C 5008 (A,115,19)
C 5015 (A,77,6)
C 5016 (A,78,9)

C 5017 (A,115,18) 1 uF
C 5018 (A,111,22) 1 uF
C 5101 (A,84,57) 10 uF/16 V
C 5103 (A,94,57) 10 uF/16 V
C 5104 (A,96,57) 10 uF/16 V

C 5105 (A,104,51) 1 uF
C 5106 (A,103,53) 1 uF
C 5108 (A,107,48) 1 uF
C 5109 (A,108,48)
C 5110 (A,112,60) 10 uF

C 5113 (A,114,56)
C 5120 (A,102,56)
C 5201 (A,34,59)
C 5203 (A,34,61) 1 uF
C 5204 (A,34,60)

C 5205 (A,27,62)
C 5206 (A,19,48)
C 5207 (A,27,52)
C 5208 (B,17,62) 1 uF
C 5209 (B,30,52) 1 uF

C 5210 (B,24,68) 1 uF
C 5212 (B,26,64) 1 uF
C 5213 (B,20,59)
C 5214 (B,21,64)
C 5215 (B,23,63)

C 5217 (A,23,62) 4.7 uF
C 5218 (A,32,55)
C 5219 (A,18,51) 4.7 uF
C 5220 (A,28,62)
C 5221 (B,26,62)

C 5222 (A,23,48) 4.7 uF
C 5224 (A,30,54)
C 5301 (A,7,37)
C 5302 (A,6,36) 4.7 uF
C 5309 (A,7,29)

C 5310 (A,7,28)
C 5311 (A,7,27)
C 5312 (A,7,26)
C 5319 (A,13,21)
C 5320 (A,14,21)

C 5321 (B,16,32)
C 5323 (B,15,32)
C 5325 (B,12,33) 10 uF
C 5326 (B,13,39)
C 5328 (B,45,36)

6
Part No.

RS1/16SS473J

CKSSYB103K16
CKSSYB103K16
CKSSYB103K16
CKSSYB103K16
CCG1244

CCG1244
CKSSYB104K10
CKSSYB104K10
CKSSYB104K10
CKSSYB104K10

DCH1246
DCH1246
DCH1263
DCH1263
DCH1263

CCG1382
CCG1382
DCH1246
CCSSCH101J50
CCG1236

CKSRYB224K16
CKSSYB332K50
CKSSYB224K6R3
DCH1246
CKSSYB224K6R3

CKSRYB224K16
CKSSYB472K50
CKSSYB102K50
CCG1382
DCH1246

CCG1393
CCG1393
CKSRYB104K50
CKSRYB104K50
CKSRYB104K50

CCG1222
CKSSYB682K25
CCG1212
CCSSCH101J50
CKSSYB561K50

CCG1222
CKSSYB152K50
CKSSYB104K16
CCG1222
CKSSYB102K50

CKSSYB104K16
CKSSYB102K50
CKSSYB104K10
CKSSYB102K50
CKSSYB104K10

CKSSYB102K50
CKSSYB104K16
CCG1236
CKSSYB102K50
CKSSYB102K50

7
Circuit Symbol and No.

C 5329 (B,29,37)
C 5330 (B,20,35)
C 5331 (B,18,34) 10 uF
C 5334 (A,19,40)
C 5335 (A,17,42) 4.7 uF

C 5337 (A,15,42)
C 5339 (A,21,40)
C 5340 (A,22,42)
C 5341 (A,22,44)
C 5342 (A,28,40) 2.2 uF

C 5343 (A,40,59)
C 5344 (A,37,51) 10 uF
C 5347 (B,27,35)
C 5348 (B,46,34)
C 5349 (B,34,44)



Unit Number : CWX4609

Unit Name : DVD Core Unit

MISCELLANEOUS

IC 1002 (B,16,14) IC MM1886A50P
IC 1004 (B,65,29) IC NJM2855DL1-33
IC 1251 (A,13,42) IC BA5839FP
IC 1401 (B,28,41) Flash ROM Unit CWW8811
IC 1402 (B,46,29) Flash ROM Unit CWW8812

IC 1480 (A,65,31) IC M12L64164A-5TG2Y
IC 1501 (A,40,34) IC MN2DS0018MA
IC 1953 (B,58,18) IC S-1135D12-A6
Q 1101 (B,13,60) Transistor LSCR523UB
Q 1102 (B,14,57) Transistor LSCR523UB

Q 1103 (B,10,63) Transistor 2SB1132
Q 1104 (B,23,55) Transistor 2SB1132
L 1501 (A,55,31) Inductor CTF1743
L 1511 (A,49,18) Chip Beads VTL1126
L 1902 (A,18,18) Inductor CTF1487

L 1903 (B,64,17) Inductor CTF1558
L 1904 (A,69,19) Resistor RS1/16SS0R0J
X 1501 (B,49,19) Crystal Resonator 27.000MHz CSS1823
F 1001 (A,15,20) Chip EMI Filter DTF1106
F 1002 (B,64,19) Chip EMI Filter DTL1106

S 1 (A,47,56) Lever Switch CSN1090
S 3 (B,26,14) Lever Switch CSN1089
VR1101 (A,8,64) Semi-fixed 6.8 kohm(B) CCP1447
VR1102 (A,8,60) Semi-fixed 15 kohm(B) CCP1449
CN1101 (A,22,64) Connector CKS6631

CN1952 (A,42,12) Connector CKS6025

RESISTORS

R 1004 (B,13,21) RS1/16SS4702F
R 1007 (B,13,22) RS1/16SS6801F
R 1019 (B,34,8) RS1/16SS101J
R 1025 (B,37,7) RS1/16SS101J
R 1027 (A,41,19) RS1/16SS101J

R 1101 (B,16,58) RS1/16SS104J
R 1102 (B,11,57) RS1/16SS104J
R 1103 (B,15,62) RS1/16SS4300F
R 1104 (B,12,59) RS1/16SS5100F
R 1105 (B,18,55) RS1/16SS4300F

1

Circuit Symbol and No.

2

Part No.

3

Circuit Symbol and No.

4

Part No.

R 1106 (B,10,58)
R 1109 (B,7,58)
R 1110 (B,17,55)
R 1111 (B,6,64)
R 1112 (B,6,59)

RS1/16SS5600F
RS1/16SS3R3J
RS1/16SS3R3J
RS1/10SR3R3J
RS1/10SR3R3J

R 1535 (A,23,45)
R 1536 (B,32,49)
R 1537 (A,25,47)
R 1538 (A,56,36)
R 1539 (B,34,49)

RS1/16SS104J
RS1/16SS104J
RS1/16SS104J
RS1/16SS104J
RS1/16SS104J

R 1113 (B,16,60)
R 1114 (B,20,58)
R 1115 (B,6,62)
R 1116 (B,6,63)
R 1117 (B,18,60)

RS1/10SR3R9J
RS1/10SR3R3J
RS1/10SR2R7J
RS1/10SR2R7J
RS1/10SR3R9J

R 1540 (A,27,47)
R 1541 (A,27,46)
R 1542 (B,27,35)
R 1546 (A,34,49)
R 1601 (A,33,18)

RS1/16SS221J
RS1/16SS221J
RS1/16SS103J
RS1/16SS682J
RS1/16SS123J

R 1118 (B,17,60)
R 1223 (A,43,51)
R 1225 (B,30,8)
R 1251 (A,6,49)
R 1252 (A,6,48)

RS1/10SR3R9J
RS1/16SS561J
RS1/16SS471J
RS1/16SS333J
RS1/16SS473J

R 1602 (A,33,19)
R 1603 (B,31,21)
R 1604 (A,24,21)
R 1605 (A,23,24)
R 1670 (B,41,20)

RS1/16SS123J
RS1/16SS1002D
RS1/16SS105J
RS1/16SS105J
RS1/16SS1002D

R 1253 (A,6,47)
R 1254 (A,6,46)
R 1255 (A,22,49)
R 1256 (A,22,46)
R 1257 (B,9,38)

RS1/16SS333J
RS1/16SS473J
RS1/16SS183J
RS1/16SS153J
RS1/16SS221J

R 1671 (B,43,20)
R 1672 (A,40,19)
R 1674 (A,39,18)
R 1982 (A,11,63)
R 1983 (B,42,20)

RS1/16SS2402D
RS1/16SS2000D
RS1/16SS3002D
RS1/16SS822J
RS1/16SS1000D

R 1258 (A,20,39)
R 1401 (B,34,29)
R 1402 (B,35,48)
R 1405 (B,56,36)
R 1406 (B,40,46)

RS1/16SS221J
RS1/16SS221J
RS1/16SS104J
RS1/16SS104J
RS1/16SS472J

R 1990 (B,35,20)
R 1991 (B,32,17)
R 1996 (B,36,14)
R 1997 (B,36,11)
R 2002 (B,43,11)

RS1/16SS2000D
RS1/16SS101J
RS1/16SS2000D
RS1/16SS101J
RS1/16SS2000D

R 1480 (A,73,25)
R 1481 (A,73,29)
R 1482 (A,73,33)
R 1483 (A,73,36)
R 1484 (A,73,40)

RAB4CQ560J
RAB4CQ560J
RAB4CQ560J
RAB4CQ560J
RAB4CQ560J

R 2003 (B,43,9)

RS1/16SS101J

CAPACITORS

R 1485 (A,56,23)
R 1486 (A,56,28)
R 1487 (A,57,38)
R 1488 (A,56,41)
R 1489 (A,55,30)

RAB4CQ560J
RAB4CQ560J
RAB4CQ560J
RAB4CQ560J
RS1/16SS560J

C 1002 (B,13,18)
C 1003 (B,16,19)
C 1004 (B,16,18) 4.7 uF
C 1005 (B,42,12)
C 1010 (B,61,24)

CKSSYB104K16
CKSSYB104K16
CCG1201
CKSRYB105K16
CKSQYB225K10

R 1490 (A,73,22)
R 1501 (B,49,21)
R 1503 (B,47,21)

RS1/16SS560J
RS1/16SS122J
RS1/16SS105J

C 1011 (B,65,23)
C 1015 (A,26,7)
C 1016 (B,64,16)
C 1018 (B,15,21)
C 1040 (B,60,13)

CKSRYB105K10
CKSSYB102K50
CKSSYB102K50
CKSSYB104K10
CCSRCH821J50

R 1504 (A,51,18)

RS1/16SS121J

C 1041 (B,20,12)
C 1101 (B,15,54) 10 uF
C 1104 (B,8,57)
C 1105 (B,19,55)
C 1106 (B,8,66)

CCSRCH271J50
CCG1192
CKSSYB104K10
CKSSYB104K10
CKSSYB103K16

R 1509 (A,21,35)
R 1510 (A,11,30)
R 1512 (A,56,32)
R 1513 (A,24,39)
R 1514 (A,25,41)

RS1/16SS102J
RS1/16SS102J
RS1/16SS470J
RS1/16SS203J
RS1/16SS183J

C 1107 (B,26,54)
C 1108 (A,20,57)
C 1109 (A,8,58)
C 1110 (A,18,59)
C 1111 (A,10,67)

CKSSYB103K16
CKSSYB103K16
CKSRYB224K16
CKSSYB103K16
CKSRYB224K16

R 1516 (A,25,37)
R 1517 (B,58,23)
R 1518 (B,34,32)
R 1522 (A,22,38)
R 1523 (A,23,38)

RS1/16SS104J
RS1/16SS103J
RS1/16SS103J
RS1/16SS104J
RS1/16SS221J

C 1112 (B,18,53) 22 uF
C 1113 (B,9,59) 22 uF
C 1210 (B,77,34)
C 1251 (B,13,42)
C 1252 (B,8,42) 4.7 uF

DCH1256
DCH1256
CKSSYB104K16
CEVW101M16
CCG1222

R 1524 (B,30,34)
R 1525 (A,25,45)
R 1526 (A,23,41)
R 1527 (A,36,49)
R 1528 (B,20,34)

RS1/16SS472J
RS1/16SS103J
RS1/16SS103J
RS1/16SS682J
RS1/16SS103J

C 1253 (B,8,40)
C 1254 (A,7,38)
C 1255 (A,19,38)
C 1401 (B,34,28)
C 1403 (B,40,41)

CKSSYB104K16
CKSSYB104K16
CKSSYB104K16
CKSSYB104K16
CKSSYB104K10

R 1529 (B,36,22)
R 1530 (B,18,34)
R 1531 (B,34,31)
R 1533 (A,29,49)
R 1534 (B,30,49)

RS1/16SS103J
RS1/16SS103J
RS1/16SS103J
RS1/16SS104J
RS1/16SS221J

C 1408 (B,58,28)

CKSSYB104K10

1

2

3

4

5		6		7		8	
<u>Circuit Symbol and No.</u>		<u>Part No.</u>		<u>Circuit Symbol and No.</u>		<u>Part No.</u>	
C 1410	(B,34,30)	CKSSYB104K16		C 1673	(A,38,18)	CKSSYB104K10	
C 1480	(A,72,20)	CKSSYB104K10		C 1674	(B,43,21)	CKSSYB104K10	
C 1481	(A,73,23)	CKSSYB104K10		C 1676	(B,38,21)	CKSRYP105K10	
C 1482	(A,73,27)	CKSSYB104K10		C 1809	(B,41,18)	CKSSYB102K50	A
C 1484	(A,73,31)	CKSSYB104K10		C 1953	(B,61,18)	CKSRYP105K10	
C 1485	(A,73,42)	CKSSYB104K10		C 1954	(B,55,18)	CKSRYP105K10	
C 1487	(A,58,30)	CKSSYB104K10		C 1955	(B,78,41)	CKSSYB104K16	
C 1488	(A,58,26)	CKSSYB104K10		C 1962	(B,41,21)	CKSRYP105K10	
C 1489	(A,65,18) 10 uF	CCG1192					
C 1490	(A,67,19)	CKSSYB102K50					
C 1501	(B,62,21) 10 uF	CCG1192					
C 1502	(B,55,20) 10 uF	CCG1192					
C 1503	(A,55,34)	CKSSYB104K10					
C 1504	(A,54,25)	CKSSYB104K10					
C 1505	(A,54,28)	CKSSYB104K10					
C 1506	(B,53,35)	CKSSYB104K10		D 5501	(A,4,45) LED	SMLVN6RGB2UK(B)	B
C 1507	(A,54,37)	CKSSYB104K10		S 5501	(A,13,94) Push Switch	CSG1155	
C 1508	(A,54,39)	CKSSYB104K10		S 5502	(A,24,94) Push Switch	CSG1155	
C 1509	(A,54,43)	CKSSYB104K10		S 5503	(A,10,52) Push Switch	CSG1155	
C 1510	(B,51,18)	CCSSCH120J50		S 5504	(A,10,77) Push Switch	CSG1155	
C 1511	(A,49,19)	CKSSYB104K10		S 5505	(A,10,69) Push Switch	CSG1155	
C 1512	(B,46,19)	CCSSCH120J50		S 5506	(A,10,21) Push Switch	CSG1155	
C 1513	(A,49,48)	CKSSYB104K10		S 5507	(A,10,13) Push Switch	CSG1155	
C 1514	(B,45,21)	CKSSYB104K10		S 5508	(A,10,38) Push Switch	CSG1155	
C 1515	(A,45,20)	CKSSYB104K10		S 5509	(A,13,45) Push Switch	CSG1155	
C 1516	(A,44,48)	CKSSYB104K10		U 5501	(A,6,92) IR RC REC MODULE	PNJ4833M	C
C 1517	(A,42,48)	CKSSYB104K10		CN5501	(B,13,43) Connector	CKS6063	
C 1518	(A,39,48)	CKSSYB104K10					
C 1519	(A,35,48)	CKSSYB104K10					
C 1520	(A,28,48)	CKSSYB104K10					
C 1521	(A,25,34)	CKSSYB104K10					
C 1522	(A,25,39)	CKSSYB104K10					
C 1523	(A,21,46)	CKSSYB104K10					
C 1524	(A,21,49)	CKSSYB473K16					
C 1526	(A,25,38)	CKSSYB103K16					
C 1528	(B,31,49)	CCSSCH471J50					
C 1601	(A,33,20)	CKSSYB103K16					
C 1602	(A,35,18)	CCSSCH101J50					
C 1603	(A,34,19)	CCSSCH101J50					
C 1604	(A,31,18)	CCSSCH680J50					
C 1605	(A,31,19)	CCSSCH680J50					
C 1606	(A,36,20)	CKSSYB104K10					
C 1607	(A,21,25) 10 uF	CCG1192					
C 1608	(A,29,19) 4.7 uF	CCG1201					
C 1609	(A,27,23)	CKSSYB104K10					
C 1612	(A,25,25)	CKSSYB104K10					
C 1613	(A,25,26)	CKSSYB104K10					
C 1614	(A,23,25)	CKSSYB104K10					
C 1615	(A,24,27)	CKSSYB104K10					
C 1616	(A,25,28)	CKSSYB104K10					
C 1617	(B,27,29)	CKSSYB104K10					
C 1618	(A,23,30)	CCSSCH101J50					
C 1619	(A,24,31)	CKSSYB562K25					
C 1620	(B,28,31)	CKSSYB224K6R3					
C 1621	(A,23,32)	CKSSYB224K6R3					
C 1622	(A,25,32)	CKSSYB333K16					
C 1623	(A,28,21)	CKSRYP105K10					
C 1624	(A,25,33)	CKSSYB104K10					
C 1625	(A,25,30)	CKSSYB104K10					
C 1671	(A,43,20)	CKSSYB104K10					

E
Unit Number : CXX8416
Unit Name : Service Unit(Keyboard)

MISCELLANEOUS

D 5501	(A,4,45) LED	SMLVN6RGB2UK(B)
S 5501	(A,13,94) Push Switch	CSG1155
S 5502	(A,24,94) Push Switch	CSG1155
S 5503	(A,10,52) Push Switch	CSG1155
S 5504	(A,10,77) Push Switch	CSG1155
S 5505	(A,10,69) Push Switch	CSG1155
S 5506	(A,10,21) Push Switch	CSG1155
S 5507	(A,10,13) Push Switch	CSG1155
S 5508	(A,10,38) Push Switch	CSG1155
S 5509	(A,13,45) Push Switch	CSG1155
U 5501	(A,6,92) IR RC REC MODULE	PNJ4833M
CN5501	(B,13,43) Connector	CKS6063

RESISTORS

R 5502	(B,10,78)	RS1/16SS470J
R 5504	(A,13,41)	RS1/16SS392J
R 5505	(A,14,25)	RS1/16SS472J
R 5506	(A,14,23)	RS1/16SS123J
R 5507	(A,14,78)	RS1/16SS182J
R 5508	(A,14,80)	RS1/16SS222J
R 5509	(A,14,83)	RS1/16SS472J

CAPACITORS

C 5508	(B,7,93) 10 uF	CCG1192
--------	----------------	---------