

2. EXPLODED VIEWS AND PARTS LIST

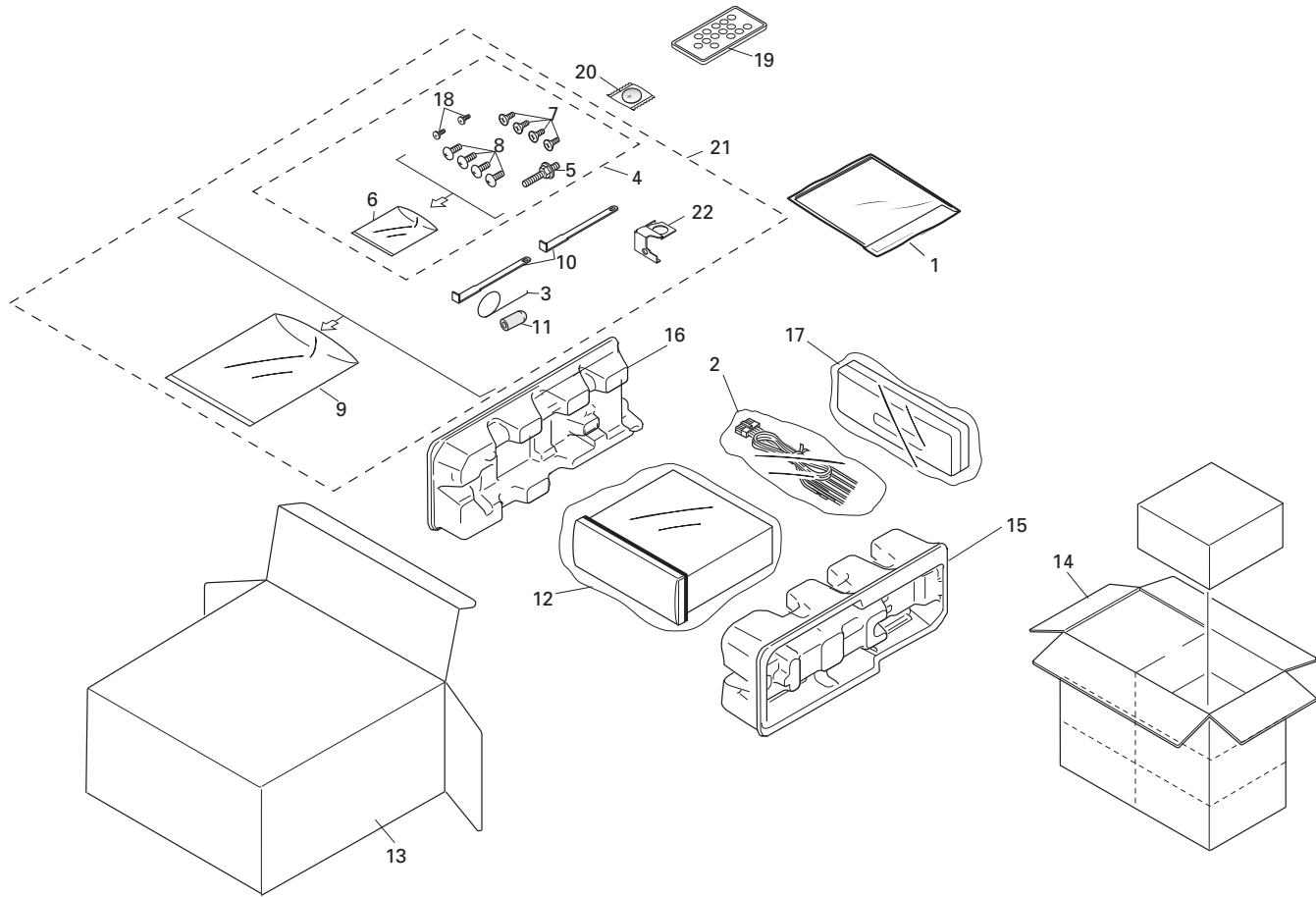
NOTES : • Parts marked by "*" are generally unavailable because they are not in our Master Spare Parts List.

• Screw adjacent to ▽ mark on the product are used for disassembly.

• For the applying amount of lubricants or glue, follow the instructions in this manual.

(In the case of no amount instructions, apply as you think it appropriate.)

2.1 PACKING



PACKING PARTS LIST

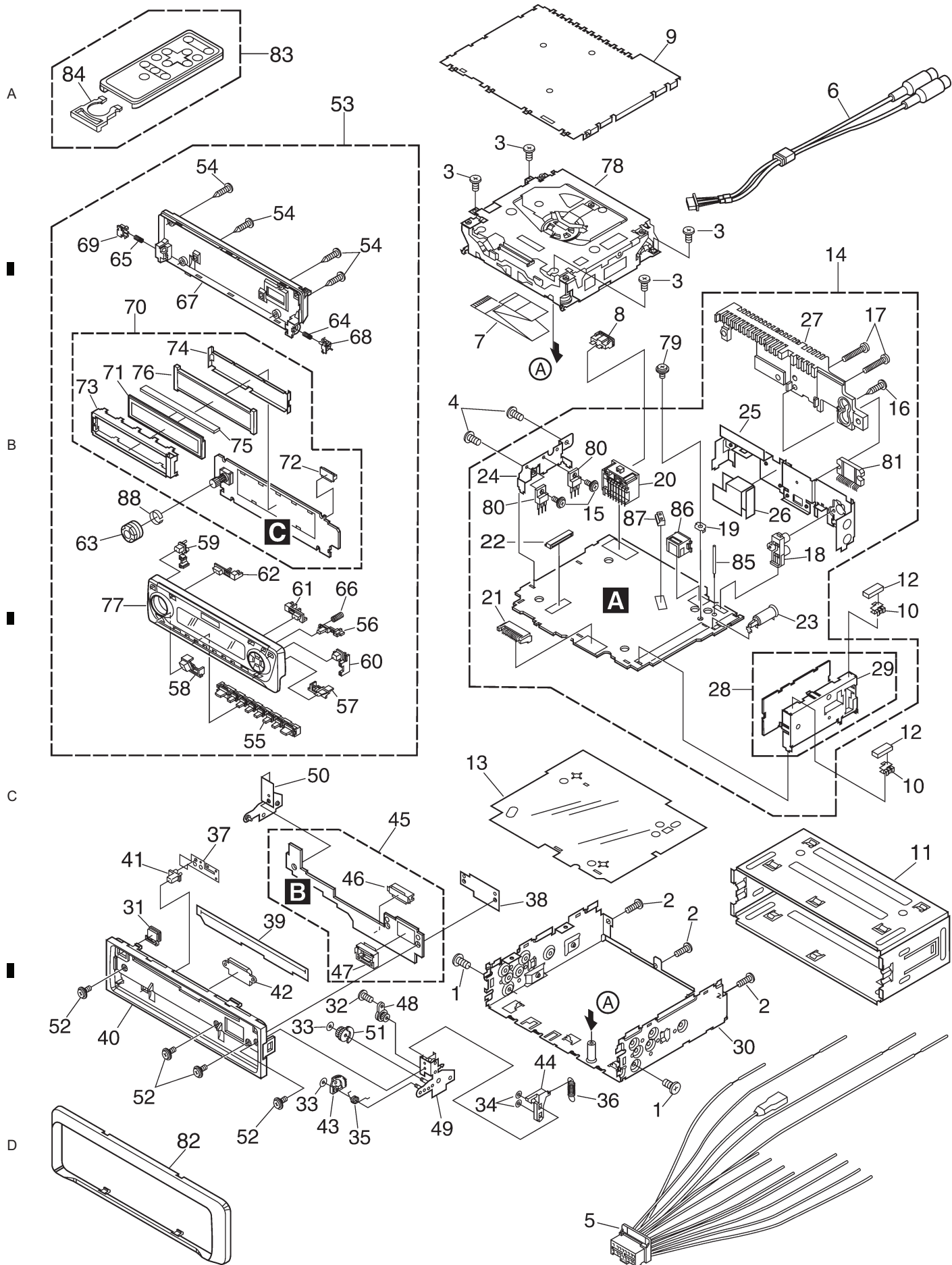
Mark	NO	Symbol and Description	DEH-P440/XN/UC	DEH-P4400/XN/UC	DEH-P44/XN/UC
	1-1	Owner's Manual	CRD3542	CRD3543	CRD3543
	1-2	Installation Manual	CRD3556	CRD3557	CRD3557
*	1-3	Card	Not used	ARY1048	ARY1048
*	1-4	Warranty Card	CRY1070	Not used	Not used
	1-5	Polyethylene Bag	CEG1116	CEG1116	CEG1116
	2	Cord Assy	CDE6436	CDE6436	CDE6436
	3	Spring	CBH1650	CBH1650	CBH1650
	4	Screw Assy	CEA2796	CEA2796	CEA2796
	5	Screw	CBA1002	CBA1002	CBA1002
*	6	Polyethylene Bag	CEG-127	CEG-127	CEG-127

Mark	NO	Symbol and Description	DEH-P440/XN/UC	DEH-P4400/XN/UC	DEH-P44/XN/UC
	7	Screw	CRZ50P090FMC	CRZ50P090FMC	CRZ50P090FMC
	8	Screw	TRZ50P080FMC	TRZ50P080FMC	TRZ50P080FMC
*	9	Polyethylene Bag	CEG-158	CEG-158	CEG-158
	10	Handle	CNC5395	CNC5395	CNC5395
	11	Bush	CNV3930	CNV3930	CNV3930
	12	Polyethylene Bag	CEG1173	CEG1173	CEG1173
	13	Carton	CHG4557	CHG4553	CHG4556
	14	Contain Box	CHL4557	CHL4553	CHL4556
	15	Protector	CHP2251	CHP2251	CHP2251
	16	Protector	CHP2252	CHP2252	CHP2252
	17	Case Assy	CXB3520	CXB3520	Not used
	18	Screw	BPZ20P060FZK	BPZ20P060FZK	BPZ20P060FZK
	19	Remote Control Unit	CXB8743	CXB8743	CXB6797
*	20	Battery	CEX1065	CEX1065	CEX1065
	21	Accessory Assy	CEA2773	CEA2773	CEA2773
	22	Earth Plate	CNC9450	CNC9450	CNC9450

Owner's Manual,Installation Manual

Part No.	Language
CRD3542, CRD3543, CRD3556, CRD3557	English, French,Spanish

2.2 EXTERIOR



(1)EXTERIOR PARTS LIST

<u>Mark</u>	<u>No.</u>	<u>Description</u>	<u>Part No.</u>	<u>Mark</u>	<u>No.</u>	<u>Description</u>	<u>Part No.</u>
	1	Screw	BMZ30P040FZK	46	Socket(CN1950)	CKS3550	
	2	Screw	BMZ30P100FMC	47	Connector(CN1951)	CKS4206	
	3	Screw	BSZ26P060FMC	48	Damper Unit	CXB5070	
	4	Screw	BSZ30P060FMC	49	Holder Unit	CXB6356	
	5	Cord Assy	CDE6436	50	Holder Unit	CXB6357	A
	6	Cord Assy	CDE6494	51	Clutch Unit	CXB6358	
	7	Cable	CDE6610	52	Screw	IMS20P045FZK	
	8	Fuse(10A)	CEK1136	53	Detach Grille Assy	See Contrast table(2)	
	9	Case	CNB2686	54	Screw	BPZ20P100FZK	
	10	Holder	CNC5704	55	Button(1-6,SOURCE)	CAC7225	
	11	Holder	CNC8659	56	Button(OPEN)	CAC7227	
	12	Cushion	CNM4870	57	Button(SFEQ)	CAC7221	
	13	Insulator	CNM6948	58	Button(EQ)	CAC7231	
	14	Tuner Amp Unit	See Contrast table(2)	59	Button(CLK)	CAC7233	
	15	Screw	ASZ26P060FMC	60	Button(AUDIO)	CAC7234	
	16	Screw	BPZ26P120FMC	61	Button(LOCAL)	CAC7235	
	17	Screw	BSZ26P160FMC	62	Button(BSM)	CAC7236	
	18	Pin Jack(CN351)	CKB1035	63	Knob	See Contrast table(2)	B
	19	Holder(CN403)	CNC5399	64	Spring	CBH2430	
	20	Plug(CN901)	CKM1330	65	Spring	CBH2431	
	21	Plug(CN750)	CKS3537	66	Spring	CBH2630	
	22	Connector(CN501)	CKS3835	67	Cover	CNS6740	
	23	Antenna Jack(CN402)	CKX1056	68	Holder	CNV6505	
	24	Holder	CNC8615	69	Holder	CNV6506	
	25	Holder	CNC9470	70	Keyboard Unit	See Contrast table(2)	
	26	Insulator	CNM6949	71	LCD	CAW1628	
	27	Heat Sink	CNR1583	72	Connector(CN1901)	CKS4524	
	28	FM/AM Tuner Unit	CWE1563	73	Holder	CNC9053	
	29	Holder	CNC8815	74	Sheet	CNM7647	
	30	Chassis Unit	CXB6100	75	Connector	CNV6440	
	31	Button	CAC6839	76	Lighting Conductor	CNV6441	C
	32	Screw(M2x2)	CBA1176	77	Sub Grille Assy	See Contrast table(2)	
	33	Washer	CBF1038	78	CD Mechanism Module(S9ANA)	CXK5501	
	34	Washer	CBF1039	79	Screw	ISS26P055FUC	
	35	Spring	CBH2428	80	Transistor(Q510,Q910)	2SD2396	
	36	Spring	CBH2429	81	IC(IC361)	PAL007A	
	37	Spring	CBL1512	82	Panel	CNS6935	
	38	Holder	CNC9096	83	Remote Control Unit	CXB8743	
	39	Cover	CNM6854	84	Cover	CNS7068	
	40	Panel	CNS6278	85	Clamper	CEF1007	
	41	Pin	CNV6486	86	Connector(CN701)	CKS3408	
	42	Lighting Conductor	CNV6487	87	Connector(CN331)	CKS3598	
	43	Gear	CNV6507	88	Spring	CBL1470	
	44	Arm	CNV6508				
	45	Panel Unit	CWM7375				D

(2) CONTRAST TABLE

DEH-P440/XN/UC, DEH-P4400/XN/UC and DEH-P44/XN/UC are constructed the same except for the following:

Mark	NO	Symbol and Description	DEH-P440/XN/UC	DEH-P4400/XN/UC	DEH-P44/XN/UC
A	14	Tuner Amp Unit	CWM8015	CWM8014	CWM8014
	53	Detach Grille Assy	CXB8406	CXB8407	CXB8408
	63	Knob	CAA2725	CAA2699	CAA2699
	70	Keyboard Unit	CWM8308	CWM8308	CWM8310
	77	Sub Grille Assy	CXB8614	CXB8615	CXB8616

A

B

C

D

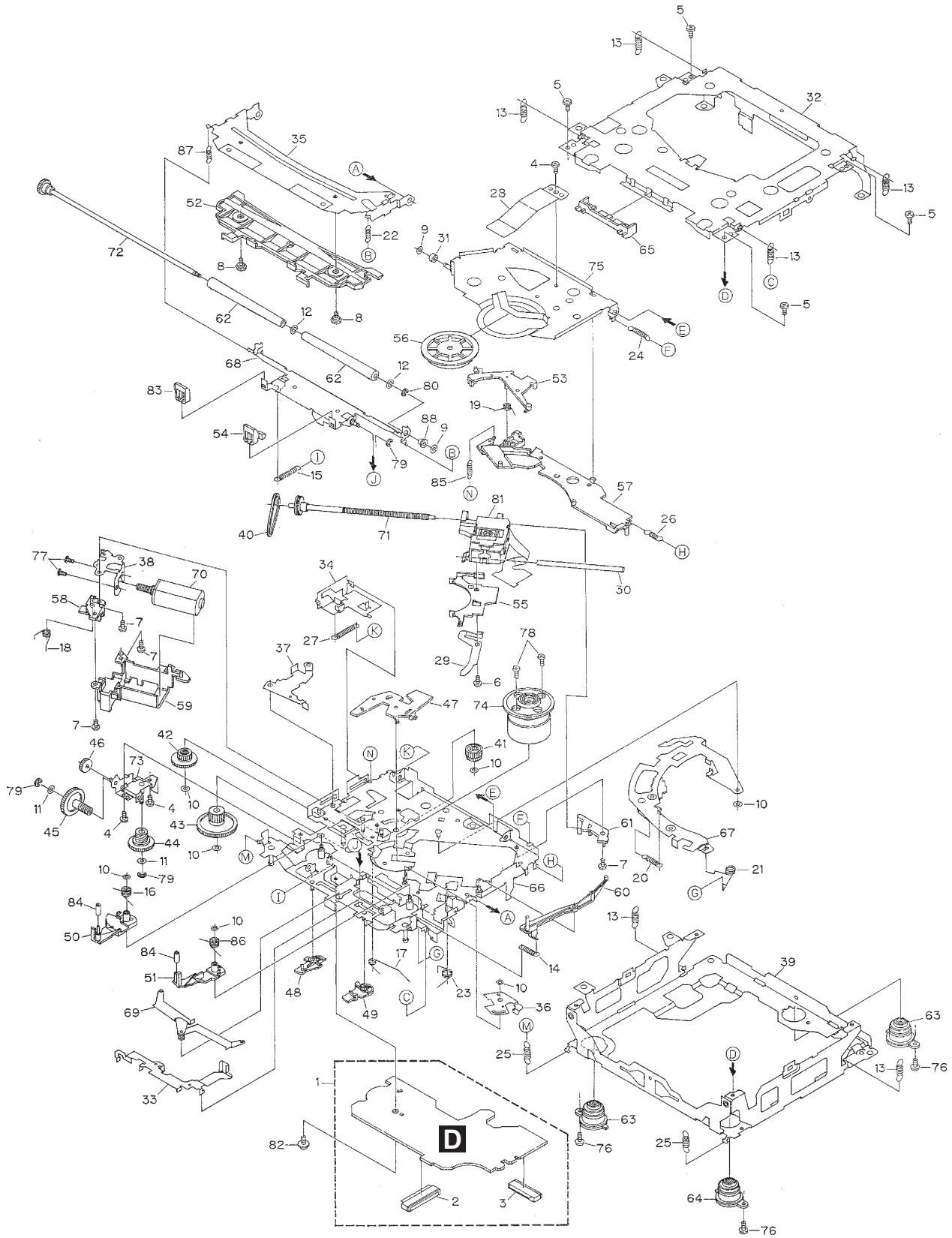
2.3 CD MECHANISM MODULE

A

B

C

D



CD MECHANISM MODULE PARTS LIST

<u>Mark</u>	<u>No.</u>	<u>Description</u>	<u>Part No.</u>	<u>Mark</u>	<u>No.</u>	<u>Description</u>	<u>Part No.</u>
	1	Control Unit	CWX2481		46	Gear	CNV6320
	2	Connector(CN701)	CKS1959		47	Arm	CNV6322
	3	Connector(CN101)	CKS3486		48	Arm	CNV6323
	4	Screw	BMZ20P025FMC		49	Arm	CNV6324
	5	Screw	BSZ20P040FMC		50	Arm	CNV6888
	6	Screw(M2x4)	CBA1362		51	Arm	CNV6889
	7	Screw(M2x3)	CBA1527		52	Guide	CNV6327
	8	Screw	CBA1545		53	Arm	CNV6924
	9	Washer	CBF1037		54	Guide	CNV6921
	10	Washer	CBF1038		55	Rack	CNV6923
	11	Washer	CBF1039		56	Clamper	CNV6331
	12	Washer	CBF1060		57	Arm	CNV6332
	13	Spring	CBH2378		58	Guide	CNV6333
	14	Spring	CBH2379		59	Cover	CNV6334
	15	Spring	CBH2514		60	Arm	CNV6335
	16	Spring	CBH2533		61	Guide	CNV6336
	17	Spring	CBH2382		62	Roller	CNV6338
	18	Spring	CBH2383		63	Damper	CNV6339
	19	Spring	CBH2384		64	Damper	CNV6340
	20	Spring	CBH2527		65	Guide	CNV6925
	21	Spring	CBH2386		66	Chassis Unit	CXB7980
	22	Spring	CBH2537	*	67	Arm Unit	CXB7983
	23	Spring	CBH2390		68	Arm Unit	CXB7984
	24	Spring	CBH2391		69	Arm Unit	CXB7985
	25	Spring	CBH2523		70	Motor Unit(M2)	CXB5903
	26	Spring	CBH2426		71	Screw Unit	CXB5904
	27	Spring	CBH2444		72	Gear Unit	CXB8076
	28	Spring	CBL1561		73	Bracket Unit	CXB7982
	29	Spring	CBL1553		74	Motor Unit(M1)	CXB6007
	30	Shaft	CLA3845		75	Arm Unit	CXB8504
	31	Roller	CLA3910		76	Screw(M2x5)	EBA1028
	32	Frame	CNC9654		77	Screw	JFZ20P020FMC
	33	Lever	CNC9664		78	Screw	JGZ17P020FZK
	34	Lever	CNC8949		79	Washer	YE15FUC
	35	Arm	CNC9661		80	Washer	YE20FUC
	36	Arm	CNC9016		81	Pickup Unit(Service)(P9)	CXX1480
	37	Arm	CNC9017		82	Screw	IMS26P030FMC
	38	Bracket	CNC9123		83	Guide	CNV6922
	39	Frame	CNC9656		84	Roller	CNV6887
	40	Belt	CNT1086		85	Spring	CBH2509
	41	Gear	CNV6886		86	Spring	CBH2512
	42	Gear	CNV6316		87	Spring	CBH2536
	43	Gear	CNV6317		88	Collar	CNV6906
	44	Gear	CNV6318				
	45	Gear	CNV6319				

5. ELECTRICAL PARTS LIST

NOTE:

- Parts whose parts numbers are omitted are subject to being not supplied.
- The part numbers shown below indicate chip components.

Chip Resistor

RS1/○S○○○○J,RS1/○○S○○○○J

Chip Capacitor (except for CQS.....)

CKS....., CCS....., CSZS.....

Circuit Symbol and No. Part Name Parts No.

Circuit Symbol and No. Part Name Parts No.

D 510	Diode	HZS9L(B1)
D 750	Diode	1SS270
D 751	Diode	1SS270
D 752	Diode	DAP202U
D 753	Diode	DAN202U

D 754	Diode	DAP202K
D 755	Diode	DAN202K
D 762	Diode	DAN202U
D 763	Diode	DAP202U
D 910	Diode	HZS9L(B3)

D 911	Diode	HZS6L(B2)
D 912	Diode	S5688G
D 913	Diode	HZS7L(C2)
D 914	Diode	HZS7L(A1)
D 919	Diode	S5688G

D 920	Diode	S5688G
D 925	Diode	1SS270
D 926	Diode	HZS9L(A2)
L 311	Ferri-Inductor	LAU4R7K
L 361	Choke Coil 600μH	CTH1221

L 410	Ferri-Inductor	LAU4R7K
L 411	Ferri-Inductor	LAU2R2K
L 412	Ferri-Inductor	LAU2R2K
L 612	Inductor	LAU100K
L 621	Inductor	CTF1346

L 710	Ferri-Inductor	LAU2R2K
L 750	Ferri-Inductor	LAU2R2K
TH 610	Thermistor	CCX1037
X 610	Radiator 12.58291MHz	CSS1402
S 750	Switch(DETACH SENSE)	CSN1039

BZ 610	FM/AM Tuner Unit	CWE1563
AR 410	Buzzer	CPV1050
AR 410	Arrester	DSP-201M

RESISTORS

R 311		RS1/16S101J
R 312		RS1/16S101J
R 313		RS1/16S101J
R 314		RS1/16S101J
R 315	(DEH-P440)	RS1/16S101J
R 316	(DEH-P440)	RS1/16S101J
R 321	(DEH-P440)	RS1/16S0R0J
R 322	(DEH-P440)	RS1/16S0R0J
R 327		RS1/16S222J
R 328		RS1/16S222J

Unit Number: CWM8015(DEH-P440)

:CWM8014(DEH-P440,P44)

Unit Name: Tuner Amp Unit

MISCELLANEOUS

IC 301	IC(DEH-P440)	PML009A
IC 301	IC(DEH-P4400,P44)	PML008A
IC 361	IC	PAL007A
IC 601	IC	PE5246A
IC 603	IC	S-80834ANY

IC 710	IC	HA12187FP
Q 341	Transistor	IMH3A
Q 351	Transistor	IMH3A
Q 359	Transistor	DTA124EK
Q 361	Transistor	DTC124EK

Q 362	Transistor	DTC114EK
Q 410	Transistor	2SC2412K
Q 510	Transistor	2SD2396
Q 511	Transistor	RN46A1
Q 610	Transistor	DTA114EK

Q 710	Transistor	2SA1037K
Q 711	Transistor	DTC114EK
Q 750	Transistor	2SA1037K
Q 751	Transistor	2SA1036K
Q 752	Transistor	DTC114EK

Q 753	Transistor	DTC114EK
Q 754	Transistor	2SA1037K
Q 755	Transistor	DTC114EK
Q 909	Transistor	RN46A1
Q 910	Transistor	2SD2396

Q 911	Transistor	2SB1243
Q 912	Transistor	DTC114EK
Q 913	Transistor	2SD1760F5
Q 914	Transistor	2SC2412K
Q 915	Transistor	2SC2412K

Q 917	Transistor	2SC2412K
Q 918	Transistor	2SC2412K
D 320	Diode	DAN202U
D 361	Diode	S5688G
D 362	Diode	S5688G

	<u>Circuit Symbol</u>	<u>and No.</u>	<u>Part Name</u>	<u>Parts No.</u>		<u>Circuit Symbol</u>	<u>and No.</u>	<u>Part Name</u>	<u>Parts No.</u>	
R	332		(DEH-P440)	RS1/16S821J	R	611		(DEH-P4400,P44)	RS1/16S473J	
R	341			RS1/16S223J	R	612			RS1/16S2202F	
R	342			RS1/16S821J	R	613			RS1/16S102J	
R	343			RS1/16S821J	R	614			RS1/16S821J	
R	344			RS1/16S223J	R	615			RS1/16S102J	
R	351			RS1/16S821J	R	616			RS1/16S0R0J	A
R	352		(DEH-P4400,P44)	RS1/16S821J	R	620			RS1/16S473J	
R	353			RS1/16S223J	R	621			RS1/16S0R0J	
R	354			RS1/16S223J	R	622			RS1/16S101J	
R	361			RS1/16S103J	R	624			RS1/16S104J	
R	362			RS1/16S103J	R	625			RS1/16S0R0J	
R	363			RS1/16S331J	R	626			RS1/16S473J	
R	364			RS1/16S153J	R	627			RS1/16S473J	
R	365			RD1/4PU182J	R	628			RS1/16S473J	
R	409			RS1/16S0R0J	R	630			RAB4C102J	
R	410			RS1/16S222J	R	631			RS1/16S0R0J	
R	411			RS1/16S222J	R	710			RS1/16S101J	
R	413			RS1/16S473J	R	711			RS1/16S620J	
R	414			RS1/16S473J	R	712			RS1/16S101J	
R	415			RS1/16S393J	R	713			RS1/16S103J	
R	417			RS1/16S681J	R	714			RS1/16S102J	
R	418			RS1/16S681J	R	715			RS1/16S102J	B
R	419			RS1/16S681J	R	716			RS1/16S473J	
R	420			RS1/16S103J	R	717			RS1/16S473J	
R	421			RS1/16S681J	R	718			RS1/16S102J	
R	422			RS1/16S473J	R	719			RS1/16S102J	
R	423			RS1/16S472J	R	720			RS1/16S223J	
R	424			RS1/16S473J	R	721			RS1/16S223J	
R	429			RS1/16S681J	R	722			RS1/16S821J	
R	430			RS1/16S681J	R	723			RS1/16S821J	
R	431			RS1/16S473J	R	724			RS1/16S222J	
R	432			RS1/16S473J	R	725			RS1/16S223J	
R	437			RS1/16S0R0J	R	726			RS1/16S472J	
R	438			RS1/16S0R0J	R	750			RS1/16S104J	
R	445			RS1/16S272J	R	751			RS1/16S103J	
R	446			RS1/16S272J	R	752			RS1/16S153J	
R	447			RS1/16S162J	R	753			RS1/16S153J	
R	448			RS1/16S162J	R	754			RS1/16S222J	
R	454			RS1/16S0R0J	R	756			RS1/16S433J	C
R	510			RD1/4PU221J	R	757			RS1/16S473J	
R	511			RD1/4PU221J	R	758			RS1/16S102J	
R	512			RS1/16S472J	R	759			RD1/4PU222J	
R	513			RS1/16S222J	R	760			RS1/16S102J	
R	516			RS1/16S104J	R	763			RS1/16S222J	
R	517			RS1/16S222J	R	764			RS1/16S131J	
R	519			RS1/16S102J	R	765			RS1/PMF390J	
R	520			RS1/16S0R0J	R	766			RS1/10S270J	
R	521			RS1/16S222J	R	767			RS1/16S103J	
R	523			RS1/16S0R0J	R	768			RS1/16S152J	
R	525			RS1/16S222J	R	769			RS1/16S152J	
R	526			RS1/16S222J	R	771			RS1/16S473J	
R	527			RS1/16S222J	R	773			RD1/4PU222J	
R	528			RD1/4PU0R0J	R	774			RS1/16S102J	
R	529			RD1/4PU0R0J	R	775			RS1/16S102J	
R	530			RS1/16S0R0J	R	776			RS1/16S220J	D
R	531			RS1/16S0R0J	R	777			RS1/16S0R0J	
R	532			RS1/16S0R0J	R	778			RS1/16S103J	
R	536			RS1/16S102J	R	779			RS1/16S472J	
R	537			RS1/16S104J	R	781			RS1/16S104J	
R	610			RS1/16S473J	R	782			RS1/16S131J	

Circuit Symbol and No. Part Name Parts No.

C

Unit Number: CWM8308(DEH-P440,P4400)

:CWM8310(DEH-P44)

Unit Name: Keyboard Unit

MISCELLANEOUS

IC 1902	HIC	RS-140
IC 1903	IC	PD6294A
Q 1905	Transistor	DTC114EK
D 1901	Diode	MA152WK
D 1902	Diode	MA152WA
D 1917	LED	NSSW440-9159
D 1918	LED	NSSW440-9159
D 1928	LED(DEH-P440,P4400)	SML-310PT
D 1928	LED(DEH-P44)	SML-310DT
D 1930	LED(DEH-P440,P4400)	SML-310PT
D 1930	LED(DEH-P44)	SML-310DT
D 1931	LED(DEH-P440,P4400)	SML-310PT
D 1931	LED(DEH-P44)	SML-310DT
D 1932	LED(DEH-P440,P4400)	SML-310PT
D 1932	LED(DEH-P44)	SML-310DT
D 1938	LED(DEH-P440,P4400)	SML-310PT
D 1938	LED(DEH-P44)	SML-310DT
D 1939	LED(DEH-P440,P4400)	SML-310PT
D 1939	LED(DEH-P44)	SML-310DT
D 1941	LED(DEH-P440,P4400)	SML-310PT
D 1941	LED(DEH-P44)	SML-310DT
X 1901	Ceramic Resonator 5MHz	CSS1547
S 1901	Switch(DEH-P440,P4400)	CSG1107
S 1901	Switch(DEH-P44)	CSG1117
S 1902	Switch(DEH-P440,P4400)	CSG1107
S 1902	Switch(DEH-P44)	CSG1117
S 1903	Push Switch	CSG1111
S 1903	Switch(DEH-P44)	CSG1117
S 1904	Switch(DEH-P440,P4400)	CSG1107
S 1904	Switch(DEH-P44)	CSG1117
S 1906	Switch(DEH-P440,P4400)	CSG1107
S 1906	Switch(DEH-P44)	CSG1117
S 1907	Switch(DEH-P440,P4400)	CSG1107
S 1907	Switch(DEH-P44)	CSG1117
S 1908	Push Switch	CSG1111
S 1909	Switch(DEH-P440,P4400)	CSG1107
S 1909	Switch(DEH-P44)	CSG1117
S 1910	Switch(DEH-P440,P4400)	CSG1107
S 1910	Switch(DEH-P44)	CSG1117
S 1911	Switch(DEH-P440,P4400)	CSG1107
S 1911	Switch(DEH-P44)	CSG1117
S 1912	Switch(DEH-P440,P4400)	CSG1107
S 1912	Switch(DEH-P44)	CSG1117
S 1913	Switch(DEH-P440,P4400)	CSG1107
S 1913	Switch(DEH-P44)	CSG1117

Circuit Symbol and No. Part Name Parts No.

S 1914	Switch(DEH-P440,P4400)	CSG1107
S 1914	Switch(DEH-P44)	CSG1117
S 1915	Switch(DEH-P440,P4400)	CSG1107
S 1915	Switch(DEH-P44)	CSG1117
S 1916	Switch(DEH-P440,P4400)	CSG1107
S 1916	Switch(DEH-P44)	CSG1117
S 1917	Switch(DEH-P440,P4400)	CSG1107
S 1917	Switch(DEH-P44)	CSG1117
S 1918	Switch(DEH-P440,P4400)	CSG1107
S 1918	Switch(DEH-P44)	CSG1117
S 1919	Switch(DEH-P440,P4400)	CSG1107
S 1919	Switch(DEH-P44)	CSG1117
S 1922	Encoder LCD	CSD1059 CAW1628

RESISTORS

R 1901	RS1/16S222J
R 1902	RS1/16S222J
R 1903	RS1/16S470J
R 1904	RS1/16S470J
R 1905	RS1/16S121J
R 1906	RS1/16S2R2J
R 1910	RS1/16S151J
R 1911	RS1/16S151J
R 1912	RS1/16S151J
R 1913	RS1/16S151J
R 1914	RS1/16S151J
R 1915	RS1/16S151J
R 1917	RS1/16S151J
R 1919	RS1/16S151J
R 1920	RS1/16S151J
R 1927	RS1/16S472J
R 1929	RS1/16S0R0J
R 1930	RS1/16S101J
R 1931	RS1/16S101J
R 1935	RS1/16S393J
R 1936	RS1/16S151J
R 1939	RS1/16S151J
R 1941	RS1/16S151J
R 1942	RS1/16S151J
R 1943	RS1/16S151J
R 1945	RS1/16S121J
R 1958	RS1/16S151J
R 1961	RS1/16S121J
R 1971	RS1/16S0R0J
R 1973	RS1/16S0R0J
R 1976	RS1/16S151J

CAPACITORS

C 1902	CKSRYB104K16
C 1903	CSZS100M6R3
C 1905	CKSRYB104K16
C 1906	CKSRYB104K16
C 1907	CKSRYB104K16
C 1923	CKSQYF104Z50
C 1930	CKSQYF104Z50

Circuit Symboland No. Part Name Parts No.Circuit Symboland No. Part Name Parts No.**B****Unit Number:CWM7375****Unit Name:Panel Unit**

D	1950	LED	CL220PGC
S	1950	Push Switch(EJECT)	CSG1112
R	1952		RS1/16S101J
R	1953		RS1/16S101J

D**Unit Number:CWX2481****Unit Name:Control Unit**

MISCELLANEOUS

IC	101	IC	TA2153FN
IC	201	IC	TC9495F2
IC	401	IC	BA5996FM
IC	701	IC	BA05SFP
Q	101	Transistor	2SD1664
Q	102	Transistor	UMD2N
L	201	Inductor	CTF1546
L	202	Inductor	CTF1546
X	301	Ceramic Resonator 16.934MHz	CSS1525
S	901	Spring Switch(HOME)	CSN1051
S	902	Spring Switch(CLAMP)	CSN1052
S	903	Spring Switch(DSCSNS)	CSN1051
S	904	Spring Switch(12EJ)	CSN1052
S	905	Spring Switch(8EJ)	CSN1051

RESISTORS

R	101		RS1/16S222J
R	102		RS1/8S120J
R	103		RS1/8S100J
R	201		RS1/16S513J
R	202		RS1/16S513J
R	203		RS1/16S823J
R	204		RS1/16S823J
R	206		RS1/16S823J
R	208		RS1/16S124J
R	209		RS1/16S183J
R	210		RS1/16S153J
R	211		RS1/16S103J
R	212		RS1/16S103J
R	213		RS1/16S124J
R	215		RS1/16S0R0J
R	216		RS1/16S471J
R	301		RS1/16S333J
R	302		RS1/16S332J
R	303		RS1/16S332J
R	304		RS1/16S514J

R	306		RS1/16S102J
R	307		RS1/16S102J
R	312		RS1/16S103J
R	313		RS1/16S473J
R	315		RS1/16S334J

R	321		RS1/16S331J
R	322		RS1/16S0R0J
R	323		RS1/16S332J
R	401		RS1/16S684J
R	402		RS1/16S103J

R	403		RS1/16S103J
R	404		RS1/16S183J
R	405		RS1/16S123J
R	407		RS1/16S622J
R	408		RS1/16S622J

R	409		RS1/16S113J
R	410		RS1/16S752J
R	701		RS1/16S102J
R	702		RS1/16S221J
R	703		RS1/16S221J

R	704		RS1/16S221J
R	705		RS1/16S221J
R	706		RS1/16S221J
R	707		RS1/16S221J
R	708		RS1/16S102J

R	709		RS1/16S102J
R	710		RS1/16S102J
R	901		RS1/16S104J
R	902		RS1/16S473J
R	903		RS1/16S273J

CAPACITORS

C	101		CEV470M6R3
C	102		CKSRYB102K50
C	103		CKSRYB104K16
C	104		CKSRYB224K16
C	105		CEV470M6R3

C	106		CKSRYB104K16
C	107		CKSRYB105K6R3
C	201		CKSRYB104K16
C	202		CCSRCH560J50
C	204		CKSRYB224K16

C	205		CKSRYB224K16
C	206		CKSRYB273K25
C	207		CKSRYB273K25
C	208		CKSRYB104K16
C	209		CKSRYB104K16

C	210		CCSRCK2R0C50
C	211		CCSRCH220J50
C	301		CKSRYB153K25
C	302		CKSRYB104K16
C	303		CKSRYB103K50

C	304		CKSRYB103K50
C	305		CKSRYB104K16
C	306		CKSRYB104K16
C	307		CKSRYB333K16
C	308		CKSRYB104K16

<u>Circuit Symbol</u>	<u>and No.</u>	<u>Part Name</u>	<u>Parts No.</u>
C	309		CKSRYB473K16
C	310		CKSRYB473K16
C	311		CKSRYB104K16
C	312		CKSRYB104K16
C	315		CEV220M6R3
C	317		CKSRYB104K16
C	318		CKSRYB104K16
C	319		CKSRYB104K16
C	320		CCSRCH470J50
C	325		CKSRYB471K50
C	328		CKSRYB472K50
C	329		CKSRYB104K16
C	330		CKSRYB104K16
C	331		CKSRYB104K16
C	401		CKSRYB221K50
C	402		CKSRYB221K50
C	403		CKSRYB153K25
C	404		CKSRYB103K50
C	405		CEV101M10
C	702		CKSRYB104K16
C	703		CKSRYB104K16
C	801	10 μ F/10V	CCH1349
C	802		CEV101M10
C	803		CKSRYB224K16

A

B

Miscellaneous Parts List

	Pickup Unit(Service)(P9)	CXX1480
M 1	Motor Unit(SPINDLE)	CXB6007
M 2	Motor Unit(LOADING/CARRIAGE)	CXB5903

C

D