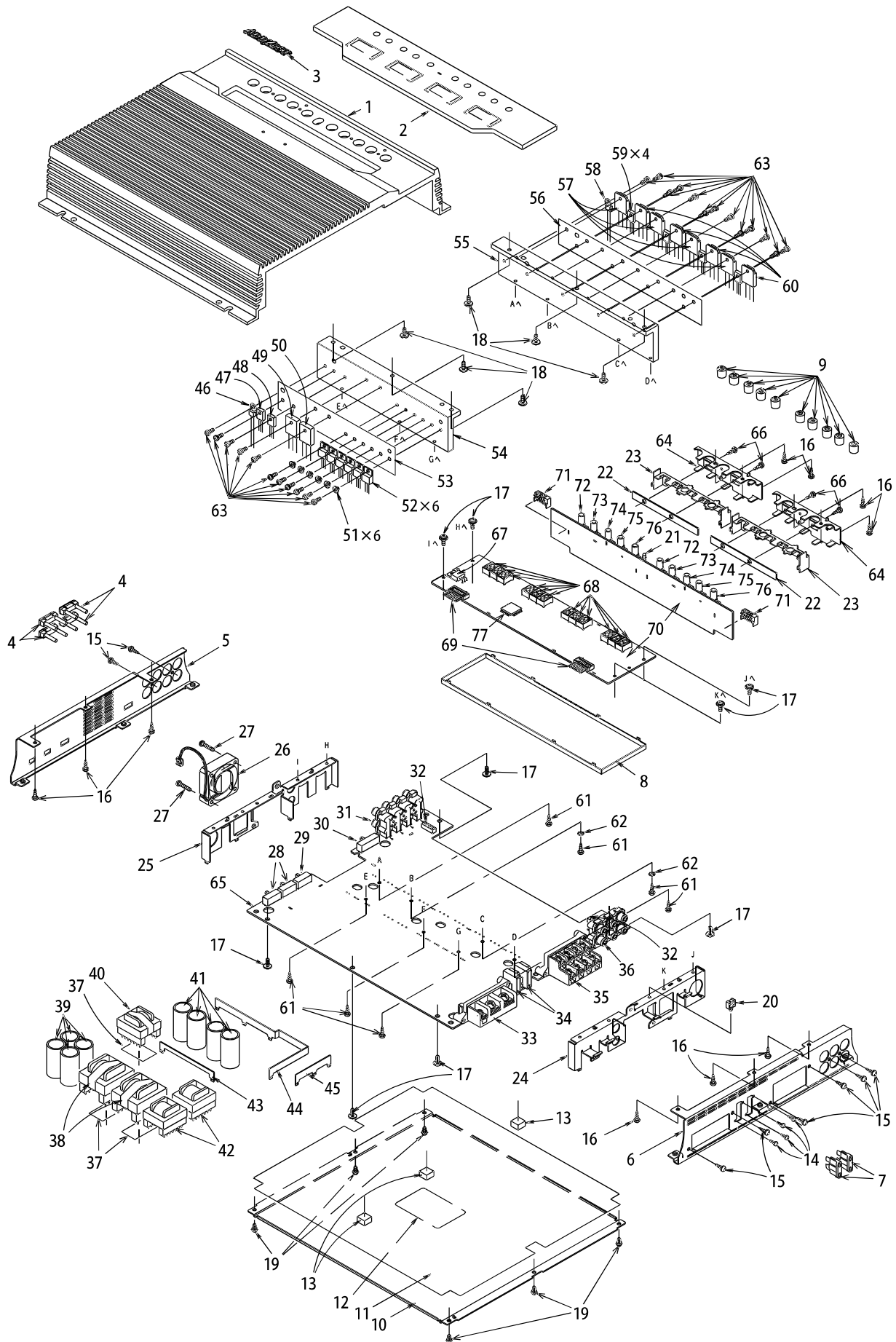


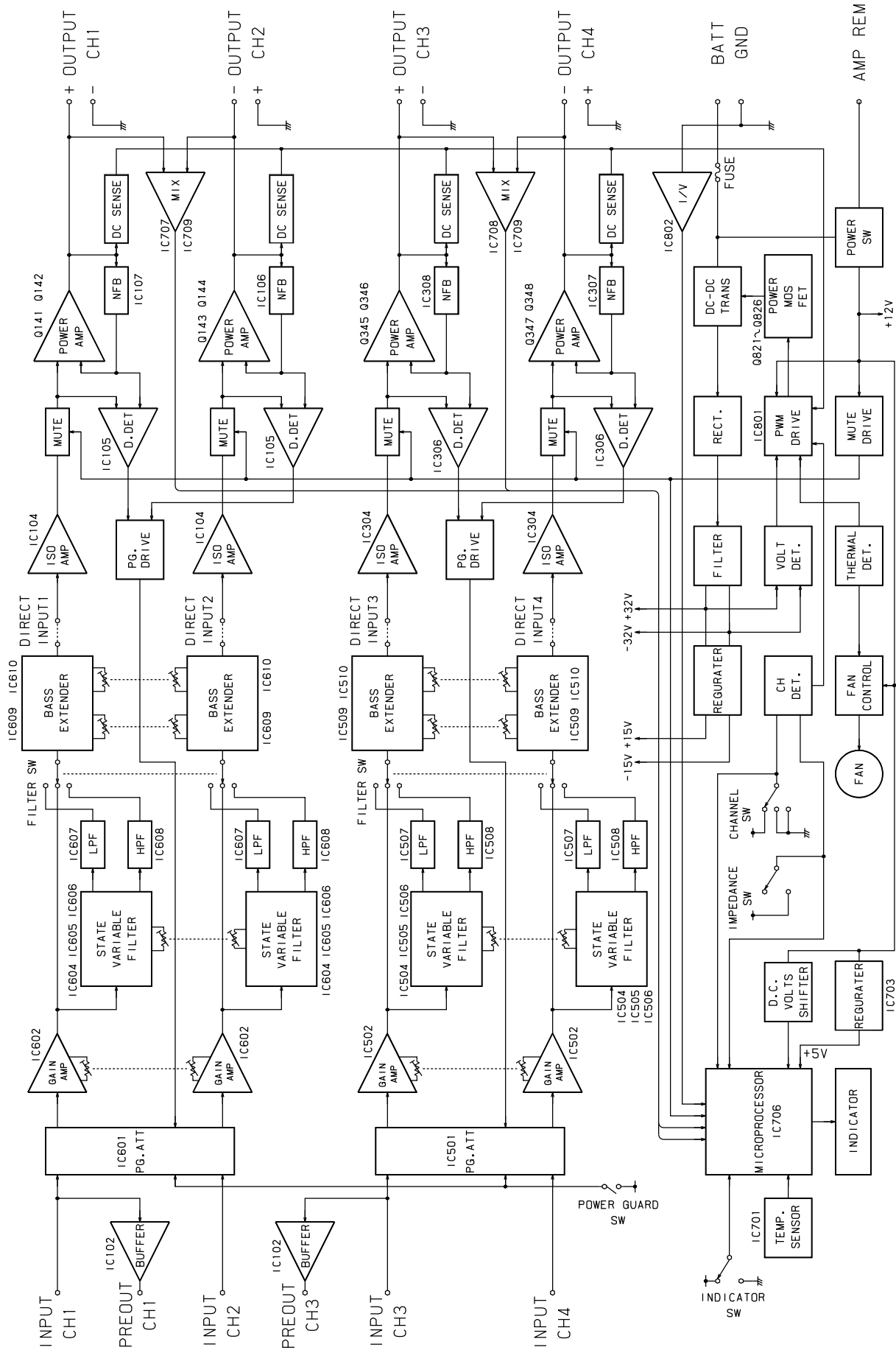
# EXPLODED VIEW • PARTS LIST



NO.	PART NO.	DESCRIPTION	Q'TY
1	313-1779-00	HEAT SINK	1
2	371-3918-00	TRIM PLATE	1
3	378-0527-00	BADGE(clarion)	1
4	076-0491-00	SWITCH	4
5	331-2848-00	FRONT PANEL	1
6	331-2847-00	REAR PANEL	1
7	060-0057-60	AUTO-FUSE(30A)	2
8	331-2846-00	SHIELD CASE	1
9	380-5471-00	KNOB	10
10	304-0465-00	LOWER CVR	1
11	347-6249-00	INSULATOR	1
12	286-9296-00	SETPLATE	1
13	345-8459-00	CUSHION	3
14	702-2006-19	TAP SCREW	4
15	702-3008-89	TAP SCREW	8
16	714-3005-80	MACHINE SCREW(M3×5)	10
17	716-0821-02	IT SCREW (M3×6)	9
18	716-0821-04	IT SCREW (M3×9)	6
19	731-3005-89	TAPTIGHT (M3×5)	6
20	335-3701-00	MINI-SADDLE	1
21	001-7008-00	DIODE (GL3ED8)	1
22	345-8458-00	CUSHION	2
23	331-2908-00	INNER PLATE	2
24	331-2845-00	SIDE PLATE	1
25	331-2845-01	SIDE PLATE	1
26	020-3041-00	DC MOTOR	1
27	780-3016-00	SPECIAL SCREW	2
28	013-5100-04	SWITCH	2
29	013-5109-00	SWITCH	1
30	013-5110-00	SWITCH	1
31	075-9000-01	RCA JACK (8P)	1
32	074-1106-10	OUTLET SOCKET (10P)	2
33	073-0738-00	TERMINAL (3P)	1
34	077-0091-00	FUSE RECEPT	2
35	073-0772-00	TERMINAL (8P)	1
36	075-9001-01	RCA JACK (6P)	1
37	347-5468-00	INSULATOR	3
38	007-1158-00	OUTPUT-TRANS	2
39	042-9036-00	ALUMI-ELE-C(50V1800 μF)	4
40	009-0672-00	CHOCK	1

NO.	PART NO.	DESCRIPTION	Q'TY
41	042-9013-00	ALUMI-ELE-C (16V6800 μF)	4
42	009-0662-0A	CHOCK	2
43	331-2383-00	BUS BAR	1
44	331-2850-00	BUS BAR	1
45	331-2849-00	BUS BAR	1
46	002-0223-00	THERMISTOR	1
47	101-1143-00	TRANSISTOR (2SB1143)	1
48	103-1683-00	TANSISTOR(2SD1683)	1
49	001-0653-0A	DIODE (FMG32S)	1
50	001-0653-0B	DIODE (FMG32R)	1
51	078-0045-00	INSULATOR SEETE	6
52	125-8004-30	TRANSISTOR(NDP6060)	6
53	345-8414-00	INSULATOR	1
54	313-1778-00	HEAT SINK(S)	1
55	313-1777-00	HEAT SINK(L)	1
56	345-8415-00	INSULATOR	1
57	102-3856-00	TRANSISTOR (2SC3856-P,Y)	4
58	002-0223-03	POSOSTOR	1
59	102-1846-00	TRANSISTOR (2SC1846)	4
60	100-1492-00	TRANSISTOR (2SA1492-P,Y)	4
61	735-3008-18	D-SEMS-SCREW(M3×8)	7
62	742-3000-20	TOOTHED WASHER	2
63	732-3010-11	SEMS-SCREW(M3×10)	24
64	331-2851-00	VOLUME PLATE	2
65	039-1721-00	MAIN-PWB (WITHOUT COMPONENT)	1
66	731-2606-80	TAPTIGHT(M2.6×6)	4
67	051-0717-10	IC (NJM7805FA)	1
68	379-5000-11	INDICATOR	12
69	076-0567-09	PLUG (9P)	2
70	039-1722-00	SUB-PWB (WITHOUT COMPONENT)	1
71	076-0515-10	PLUG (10P)	2
72	016-9900-75	VR(10kΩ)(BASS GAIN)	2
73	016-9900-76	VR(100kΩ)(BASS FREQ)	2
74	013-8105-00	SLIDE SWITCH	2
75	016-9900-74	VR(30kΩ)(LPF/HPF FREQ)	2
76	016-9900-73	VR(20kΩ)(GAIN VOL)	2
77	052-7050-00	MICOM (μPD780022AGC-535-AB8)	1

# BLOCK DIAGRAM



# ■ ELECTRICAL PARTS LIST

Main PWB section(B1)

Note) Several different parts of the same reference number are alternative parts.  
One of those parts is used in the set.

REF No.	PART No.	DESCRIPTION	REF No.	PART No.	DESCRIPTION	REF No.	PART No.	DESCRIPTION
C101	182-1063-33	16V10 $\mu$ F	C323	184-3373-62	50V330 $\mu$ F	C839	178-2242-78	0.22 $\mu$ F
C102	182-1063-33	16V10 $\mu$ F	C324	172-2241-11	0.22 $\mu$ F	C840	178-1042-78	0.1 $\mu$ F
C103	182-1063-33	16V10 $\mu$ F	C325	172-2241-11	0.22 $\mu$ F	C841	178-2242-78	0.22 $\mu$ F
C104	182-1063-33	16V10 $\mu$ F	C326	184-3373-62	50V330 $\mu$ F	C842	178-1032-78	0.01 $\mu$ F
C105	182-1063-33	16V10 $\mu$ F	C327	042-9037-00	63V27 $\mu$ F	C843	178-1042-78	0.1 $\mu$ F
C106	182-1063-33	16V10 $\mu$ F	C328	042-9037-00	63V27 $\mu$ F	C844	178-1042-78	0.1 $\mu$ F
C107	176-4701-00	47pF CH	C329	182-2263-12	6.3V22 $\mu$ F	D101	001-0516-00	MA111
C108	042-0547-02	16V47 $\mu$ F	C330	182-2263-12	6.3V22 $\mu$ F	D102	001-0516-00	MA111
C109	042-0547-02	16V47 $\mu$ F	C331	182-2263-12	6.3V22 $\mu$ F	D103	001-0516-00	MA111
C110	172-1041-11	0.1 $\mu$ F	C332	182-2263-12	6.3V22 $\mu$ F	D104	001-0516-00	MA111
C111	176-4701-00	47pF CH	C333	174-1010-13	100pF CH	D105	001-0516-00	MA111
C112	176-6801-00	68pF CH	C334	172-1031-11	0.01 $\mu$ F	D106	001-0516-00	MA111
C113	176-6801-00	68pF CH	C335	172-1031-11	0.01 $\mu$ F	D107	001-0516-00	MA111
C116	182-4763-33	16V47 $\mu$ F	C336	174-1010-13	100pF CH	D108	001-0516-00	MA111
C117	042-0547-02	16V47 $\mu$ F	C337	174-1010-13	100pF CH	D109	001-0516-00	MA111
C118	042-0547-02	16V47 $\mu$ F	C338	172-1031-11	0.01 $\mu$ F	D110	001-0516-00	MA111
C123	184-3373-62	50V330 $\mu$ F	C339	172-1031-11	0.01 $\mu$ F	D111	001-0516-00	MA111
C124	172-2241-11	0.22 $\mu$ F	C340	174-1010-13	100pF CH	D112	001-0516-00	MA111
C125	172-2241-11	0.22 $\mu$ F	C345	172-4731-11	0.047 $\mu$ F	D113	001-0516-00	MA111
C126	184-3373-62	50V330 $\mu$ F	C346	172-4731-11	0.047 $\mu$ F	D114	001-0516-00	MA111
C127	184-3373-62	50V330 $\mu$ F	C347	172-2751-11	2.7 $\mu$ F	D115	001-0516-00	MA111
C128	172-2241-11	0.22 $\mu$ F	C348	172-2751-11	2.7 $\mu$ F	D116	001-0516-00	MA111
C129	172-2241-11	0.22 $\mu$ F	C349	176-1007-00	10pF CH	D117	001-0516-00	MA111
C130	184-3373-62	50V330 $\mu$ F	C350	176-1007-00	10pF CH	D118	001-0503-04	HZS3BLL
C131	042-9037-00	63V27 $\mu$ F	C351	176-1007-00	10pF CH	D119	001-0503-04	HZS3BLL
C132	042-9037-00	63V27 $\mu$ F	C352	176-1007-00	10pF CH	D120	001-0516-00	MA111
C133	182-2263-12	6.3V22 $\mu$ F	C353	042-0547-02	16V47 $\mu$ F	D121	001-0516-00	MA111
C134	182-2263-12	6.3V22 $\mu$ F	C354	042-0547-02	16V47 $\mu$ F	D122	001-0503-04	HZS3BLL
C135	182-2263-12	6.3V22 $\mu$ F	C355	178-1042-78	0.1 $\mu$ F	D123	001-0503-04	HZS3BLL
C136	182-2263-12	6.3V22 $\mu$ F	C356	178-1042-78	0.1 $\mu$ F	D124	001-0516-00	MA111
C137	174-1010-13	100pF CH	C357	176-2211-00	220pF CH	D125	001-0330-00	1SS119
C138	172-1031-11	0.01 $\mu$ F	C358	176-2211-00	220pF CH	D126	001-0330-00	1SS119
C139	172-1031-11	0.01 $\mu$ F	C801	178-1042-78	0.1 $\mu$ F	D127	001-0330-00	1SS119
C140	174-1010-13	100pF CH	C802	172-2241-11	0.22 $\mu$ F	D128	001-0330-00	1SS119
C141	174-1010-13	100pF CH	C803	178-1032-78	0.01 $\mu$ F	D129	001-0516-00	MA111
C142	172-1031-11	0.01 $\mu$ F	C804	182-2263-33	16V22 $\mu$ F	D130	001-0516-00	MA111
C143	172-1031-11	0.01 $\mu$ F	C805	172-1041-11	0.1 $\mu$ F	D131	001-0516-00	MA111
C144	174-1010-13	100pF CH	C806	042-9013-00	16V6800 $\mu$ F	D132	001-0516-00	MA111
C149	172-4731-11	0.047 $\mu$ F	C807	184-4773-12	6.3V470 $\mu$ F	D133	001-7011-02	CL-150YG-CD
C150	172-4731-11	0.047 $\mu$ F	C808	042-9013-00	16V6800 $\mu$ F	D134	001-7011-02	CL-150YG-CD
C151	182-4763-33	16V47 $\mu$ F	C809	182-1053-63	50V1 $\mu$ F	D135	001-7011-02	CL-150YG-CD
C152	182-4763-33	16V47 $\mu$ F	C810	178-1042-78	0.1 $\mu$ F	D136	001-7011-02	CL-150YG-CD
C153	182-4763-33	16V47 $\mu$ F	C811	182-2263-33	16V22 $\mu$ F	D309	001-0516-00	MA111
C154	182-4763-33	16V47 $\mu$ F	C812	178-1032-78	0.01 $\mu$ F	D310	001-0516-00	MA111
C155	182-4763-33	16V47 $\mu$ F	C813	182-1053-63	50V1 $\mu$ F	D311	001-0516-00	MA111
C156	182-4763-33	16V47 $\mu$ F	C814	173-1021-11	1000pF J	D312	001-0516-00	MA111
C157	172-2751-11	2.7 $\mu$ F	C815	182-2263-33	16V22 $\mu$ F	D313	001-0516-00	MA111
C158	172-2751-11	2.7 $\mu$ F	C816	178-1042-78	0.1 $\mu$ F	D314	001-0516-00	MA111
C159	176-1007-00	10pF CH	C817	182-4763-13	6.3V47 $\mu$ F	D315	001-0516-00	MA111
C160	176-1007-00	10pF CH	C818	178-1042-78	0.1 $\mu$ F	D316	001-0516-00	MA111
C161	176-1007-00	10pF CH	C819	182-1053-63	50V1 $\mu$ F	D317	001-0516-00	MA111
C162	176-1007-00	10pF CH	C820	172-1031-11	0.01 $\mu$ F	D318	001-0516-00	MA111
C163	042-0547-02	16V47 $\mu$ F	C821	042-9013-00	16V6800 $\mu$ F	D319	001-0516-00	MA111
C164	042-0547-02	16V47 $\mu$ F	C822	042-9013-00	16V6800 $\mu$ F	D320	001-0516-00	MA111
C165	178-1042-78	0.1 $\mu$ F	C823	042-0504-04	16V15 $\mu$ F	D321	001-0516-00	MA111
C166	178-1042-78	0.1 $\mu$ F	C824	184-2273-32	16V220 $\mu$ F	D322	001-0516-00	MA111
C167	176-2211-00	220pF CH	C825	173-1521-11	1500pF J	D323	001-0516-00	MA111
C168	176-2211-00	220pF CH	C826	178-1042-78	0.1 $\mu$ F	D324	001-0516-00	MA111
C301	042-0547-02	16V47 $\mu$ F	C827	042-9036-00	50V1800 $\mu$ F	D325	001-0516-00	MA111
C302	042-0547-02	16V47 $\mu$ F	C828	042-9036-00	50V1800 $\mu$ F	D326	001-0503-04	HZS3BLL
C303	172-1041-11	0.1 $\mu$ F	C829	042-9036-00	50V1800 $\mu$ F	D327	001-0503-04	HZS3BLL
C306	176-6801-00	68pF CH	C830	042-9036-00	50V1800 $\mu$ F	D328	001-0516-00	MA111
C307	176-6801-00	68pF CH	C831	042-9035-00	50V120 $\mu$ F	D329	001-0516-00	MA111
C312	182-4763-33	16V47 $\mu$ F	C832	042-9035-00	50V120 $\mu$ F	D330	001-0503-04	HZS3BLL
C313	042-0547-02	16V47 $\mu$ F	C833	182-1063-33	16V10 $\mu$ F	D331	001-0503-04	HZS3BLL
C314	042-0547-02	16V47 $\mu$ F	C834	182-1063-33	16V10 $\mu$ F	D332	001-0516-00	MA111
C319	184-3373-62	50V330 $\mu$ F	C835	184-3373-32	16V330 $\mu$ F	D333	001-0330-00	1SS119
C320	172-2241-11	0.22 $\mu$ F	C836	184-3373-32	16V330 $\mu$ F	D334	001-0330-00	1SS119
C321	172-2241-11	0.22 $\mu$ F	C837	172-2241-11	0.22 $\mu$ F	D335	001-0330-00	1SS119
C322	184-3373-62	50V330 $\mu$ F	C838	172-2241-11	0.22 $\mu$ F	D336	001-0330-00	1SS119

REF No.	PART No.	DESCRIPTION	REF No.	PART No.	DESCRIPTION	REF No.	PART No.	DESCRIPTION
D337	001-0516-00	MA111	Q128	102-1846-00	2SC1846	Q815	102-2712-00	2SC2712
D338	001-0516-00	MA111	Q129	102-2458-00	2SC2458	Q816	100-1162-00	2SA1162
D339	001-0516-00	MA111	Q130	100-1048-00	2SA1048	Q817	102-2712-00	2SC2712
D340	001-0516-00	MA111	Q131	102-2458-00	2SC2458	Q818	102-2712-00	2SC2712
D341	001-7011-02	CL-150YG-CD	Q132	100-1048-00	2SA1048	Q819	100-1162-00	2SA1162
D342	001-7011-02	CL-150YG-CD	Q133	102-2705-00	2SC2705-O,Y	Q820	100-1162-00	2SA1162
D343	001-7011-02	CL-150YG-CD	Q134	100-1145-00	2SA1145-O,Y	Q821	125-8004-30	NDP6060
D344	001-7011-02	CL-150YG-CD	Q135	102-2705-00	2SC2705-O,Y	Q822	125-8004-30	NDP6060
D801	001-2016-00	3JZ41	Q136	100-1145-00	2SA1145-O,Y	Q823	125-8004-30	NDP6060
D802	001-0330-00	1SS119	Q137	102-4883-00	2SC4883	Q824	125-8004-30	NDP6060
D803	001-0330-00	1SS119	Q138	100-1859-00	2SA1859	Q825	125-8004-30	NDP6060
D804	001-0330-00	1SS119	Q139	102-4883-00	2SC4883	Q826	125-8004-30	NDP6060
D805	001-0653-0A	FMG32S	Q140	100-1859-00	2SA1859	Q827	100-1162-00	2SA1162
D806	001-0653-0B	FMG32R	Q141	102-3856-00	2SC3856-P,Y	Q828	102-2712-00	2SC2712
D807	001-0503-33	HZS6B2L	Q142	100-1492-00	2SA1492-P,Y	Q829	100-1162-00	2SA1162
D808	001-0503-33	HZS6B2L	Q143	102-3856-00	2SC3856-P,Y	Q830	103-1683-00	2SD1683
D809	001-0516-00	MA111	Q144	100-1492-00	2SA1492-P,Y	Q831	101-1143-00	2SB1143
D810	001-0516-00	MA111	Q305	103-1306-00	2SD1306	Q832	100-1298-00	2SA1298
FR801	077-0091-00	FUSE-RECEPT	Q306	103-1306-00	2SD1306	Q833	108-0372-00	2SK372GR,BL,U
FR802	077-0091-00	FUSE-RECEPT	Q307	102-2712-00	2SC2712	Q834	108-0372-00	2SK372GR,BL,U
IC102	051-1904-00	uPC4570G2	Q308	102-2712-00	2SC2712	R108	117-2231-10	1/10W 22kΩ
IC103	051-1904-00	uPC4570G2	Q309	102-2712-00	2SC2712	R109	117-2231-10	1/10W 22kΩ
IC104	051-1904-00	uPC4570G2	Q310	102-2712-00	2SC2712	R110	117-2231-10	1/10W 22kΩ
IC105	051-1407-00	NJM4556AL	Q311	190-0872-35	2SA872A-E-TZ	R114	117-2231-10	1/10W 22kΩ
IC106	051-1904-00	uPC4570G2	Q312	190-0872-35	2SA872A-E-TZ	R115	117-2231-10	1/10W 22kΩ
IC107	051-1904-00	uPC4570G2	Q313	192-1775-35	2SC1775A-E-TZ	R116	117-2231-10	1/10W 22kΩ
IC302	051-1904-00	uPC4570G2	Q314	192-1775-35	2SC1775A-E-TZ	R117	111-1021-91	1/4WS 1kΩ
IC304	051-1904-00	uPC4570G2	Q315	190-0872-35	2SA872A-E-TZ	R118	032-0144-50	1/10W 1kΩ
IC306	051-1407-00	NJM4556AL	Q316	190-0872-35	2SA872A-E-TZ	R119	032-0144-50	1/10W 1kΩ
IC307	051-1904-00	uPC4570G2	Q317	192-1775-35	2SC1775A-E-TZ	R120	032-0144-62	1/10W 47kΩ
IC308	051-1904-00	uPC4570G2	Q318	192-1775-35	2SC1775A-E-TZ	R121	032-0144-62	1/10W 47kΩ
IC801	051-5817-00	TL594CN	Q319	192-1775-35	2SC1775A-E-TZ	R122	032-0144-50	1/10W 1kΩ
IC802	051-0350-55	NJM4558M	Q320	190-0872-35	2SA872A-E-TZ	R123	032-0144-50	1/10W 1kΩ
J101	075-9001-01	JACK	Q321	192-1775-35	2SC1775A-E-TZ	R124	032-0139-50	1/10W 4.7kΩ
J102	075-9000-01	JACK	Q322	190-0872-35	2SA872A-E-TZ	R125	032-0139-50	1/10W 4.7kΩ
J103	073-0772-00	TERMINAL	Q323	190-0872-35	2SA872A-E-TZ	R126	032-0131-10	1/10W 10kΩ±0.1%
J104	074-1106-10	10P	Q324	100-1360-00	2SA1360-O,Y	R127	032-0139-50	1/10W 4.7kΩ
J105	074-1106-10	10P	Q325	102-3423-00	2SC3423-OY	R128	032-0131-10	1/10W 10kΩ±0.1%
J801	073-0738-00	TERMINAL	Q326	192-1775-35	2SC1775A-E-TZ	R129	032-0139-50	1/10W 4.7kΩ
L101	010-2313-0A	COIL	Q327	190-0872-35	2SA872A-E-TZ	R130	032-0131-10	1/10W 10kΩ±0.1%
L102	010-2313-0A	COIL	Q328	100-1360-00	2SA1360-O,Y	R131	032-0131-10	1/10W 10kΩ±0.1%
L301	010-2313-0A	COIL	Q329	102-3423-00	2SC3423-OY	R133	117-1031-10	1/10W 10kΩ
L302	010-2313-0A	COIL	Q330	192-1775-35	2SC1775A-E-TZ	R134	032-0144-61	1/10W 2.2kΩ
L801	009-0662-0A	CHOKO COIL	Q331	102-1846-00	2SC1846	R135	032-0144-61	1/10W 2.2kΩ
L802	009-0662-0A	CHOKO COIL	Q332	102-1846-00	2SC1846	R136	117-1031-10	1/10W 10kΩ
L803	009-0672-00	200 μH	Q333	102-2458-00	2SC2458	R137	117-1031-10	1/10W 10kΩ
P801	076-0386-02	2P	Q334	100-1048-00	2SA1048	R138	032-0144-50	1/10W 1kΩ
Q101	103-1306-00	2SD1306	Q335	102-2458-00	2SC2458	R139	117-2211-10	1/10W 220Ω
Q102	103-1306-00	2SD1306	Q336	100-1048-00	2SA1048	R140	117-2211-10	1/10W 220Ω
Q103	102-2712-00	2SC2712	Q337	102-2705-00	2SC2705-O,Y	R141	117-2211-10	1/10W 220Ω
Q104	102-2712-00	2SC2712	Q338	100-1145-00	2SA1145-O,Y	R142	117-4741-10	1/10W 470kΩ
Q105	102-2712-00	2SC2712	Q339	102-2705-00	2SC2705-O,Y	R143	117-4741-10	1/10W 470kΩ
Q106	102-2712-00	2SC2712	Q340	100-1145-00	2SA1145-O,Y	R144	117-3931-10	1/10W 39kΩ
Q107	190-0872-35	2SA872A-E-TZ	Q341	102-4883-00	2SC4883	R145	117-3931-10	1/10W 39kΩ
Q108	190-0872-35	2SA872A-E-TZ	Q342	100-1859-00	2SA1859	R146	117-3931-10	1/10W 39kΩ
Q109	192-1775-35	2SC1775A-E-TZ	Q343	102-4883-00	2SC4883	R147	117-3931-10	1/10W 39kΩ
Q110	192-1775-35	2SC1775A-E-TZ	Q344	100-1859-00	2SA1859	R148	117-5641-10	1/10W 560kΩ
Q111	190-0872-35	2SA872A-E-TZ	Q345	102-3856-00	2SC3856-P,Y	R149	117-5641-10	1/10W 560kΩ
Q112	190-0872-35	2SA872A-E-TZ	Q346	100-1492-00	2SA1492-P,Y	R152	032-0144-58	1/10W 150Ω
Q113	192-1775-35	2SC1775A-E-TZ	Q347	102-3856-00	2SC3856-P,Y	R153	032-0144-58	1/10W 150Ω
Q114	192-1775-35	2SC1775A-E-TZ	Q348	100-1492-00	2SA1492-P,Y	R154	111-6831-91	1/4WS 68kΩ
Q115	192-1775-35	2SC1775A-E-TZ	Q801	102-2712-00	2SC2712	R155	111-6831-91	1/4WS 68kΩ
Q116	190-0872-35	2SA872A-E-TZ	Q802	100-1162-00	2SA1162	R156	032-0144-59	1/10W 270Ω
Q117	192-1775-35	2SC1775A-E-TZ	Q803	100-1162-00	2SA1162	R157	032-0144-59	1/10W 270Ω
Q118	190-0872-35	2SA872A-E-TZ	Q804	100-1298-00	2SA1298	R158	032-0144-59	1/10W 270Ω
Q119	190-0872-35	2SA872A-E-TZ	Q805	102-2712-00	2SC2712	R159	032-0144-59	1/10W 270Ω
Q120	100-1360-00	2SA1360-O,Y	Q806	102-2712-00	2SC2712	R160	032-0156-50	1/4W 220Ω±1%
Q121	102-3423-00	2SC3423-OY	Q807	102-2712-00	2SC2712	R161	032-0156-50	1/4W 220Ω±1%
Q122	192-1775-35	2SC1775A-E-TZ	Q808	100-1162-00	2SA1162	R162	032-0144-60	1/10W 560Ω
Q123	190-0872-35	2SA872A-E-TZ	Q809	102-2712-00	2SC2712	R163	032-0144-60	1/10W 560Ω
Q124	100-1360-00	2SA1360-O,Y	Q810	100-1162-00	2SA1162	R164	032-0144-60	1/10W 560Ω
Q125	102-3423-00	2SC3423-OY	Q812	100-1431-00	2SA1431	R165	032-0144-60	1/10W 560Ω
Q126	192-1775-35	2SC1775A-E-TZ	Q813	102-2712-00	2SC2712	R166	111-1811-91	1/4WS 180Ω
Q127	102-1846-00	2SC1846	Q814	100-1162-00	2SA1162	R167	111-6831-91	1/4WS 68kΩ

REF No.	PART No.	DESCRIPTION	REF No.	PART No.	DESCRIPTION	REF No.	PART No.	DESCRIPTION
R168	111-1811-91	1/4WS 180Ω	R242	032-0144-54	1/10W 47Ω	R389	117-1231-10	1/10W 12kΩ
R169	111-1811-91	1/4WS 180Ω	R243	032-0144-54	1/10W 47Ω	R390	117-1231-10	1/10W 12kΩ
R170	111-6831-91	1/4WS 68kΩ	R244	032-0156-51	1/4W 560Ω±1%	R391	111-1021-91	1/4WS 1kΩ
R171	111-1811-91	1/4WS 180Ω	R245	111-1011-91	1/4WS 100Ω	R392	111-1021-91	1/4WS 1kΩ
R172	032-0092-73	1/10W 3.9kΩ±1%	R246	111-1011-91	1/4WS 100Ω	R393	032-0144-60	1/10W 560Ω
R173	032-0092-32	1/10W 820Ω	R247	032-0144-54	1/10W 47Ω	R394	032-0144-60	1/10W 560Ω
R174	032-0092-73	1/10W 3.9kΩ±1%	R248	032-0144-54	1/10W 47Ω	R395	032-0144-60	1/10W 560Ω
R175	032-0092-32	1/10W 820Ω	R249	032-0156-51	1/4W 560Ω±1%	R396	032-0144-60	1/10W 560Ω
R176	111-2201-91	1/4WS 22Ω	R305	032-0144-50	1/10W 1kΩ	R397	111-3311-91	1/4WS 330Ω
R177	111-2201-91	1/4WS 22Ω	R306	032-0144-50	1/10W 1kΩ	R398	111-3311-91	1/4WS 330Ω
R178	111-2201-91	1/4WS 22Ω	R309	111-1021-91	1/4WS 1kΩ	R399	032-0057-03	5W 0.22Ω
R179	111-2201-91	1/4WS 22Ω	R310	032-0144-62	1/10W 47kΩ	R400	032-0057-03	5W 0.22Ω
R180	117-2211-10	1/10W 220Ω	R311	032-0144-62	1/10W 47kΩ	R401	111-4791-91	1/4WS 4.7Ω
R181	117-2211-10	1/10W 220Ω	R314	032-0144-50	1/10W 1kΩ	R402	032-0156-51	1/4W 560Ω±1%
R182	117-2211-10	1/10W 220Ω	R315	032-0144-50	1/10W 1kΩ	R403	032-0156-51	1/4W 560Ω±1%
R183	117-2211-10	1/10W 220Ω	R317	032-0139-50	1/10W 4.7kΩ	R404	111-4791-91	1/4WS 4.7Ω
R184	117-1231-10	1/10W 12kΩ	R318	032-0139-50	1/10W 4.7kΩ	R405	111-4791-91	1/4WS 4.7Ω
R185	117-1231-10	1/10W 12kΩ	R320	032-0131-10	1/10W 10kΩ±0.1%	R406	032-0156-51	1/4W 560Ω±1%
R186	117-1231-10	1/10W 12kΩ	R325	032-0139-50	1/10W 4.7kΩ	R407	032-0156-51	1/4W 560Ω±1%
R187	117-1231-10	1/10W 12kΩ	R328	117-1031-10	1/10W 10kΩ	R408	111-4791-91	1/4WS 4.7Ω
R188	111-1021-91	1/4WS 1kΩ	R329	032-0144-50	1/10W 1kΩ	R409	111-4791-91	1/4WS 4.7Ω
R189	111-1021-91	1/4WS 1kΩ	R330	032-0131-10	1/10W 10kΩ±0.1%	R410	111-4791-91	1/4WS 4.7Ω
R190	032-0144-60	1/10W 560Ω	R331	032-0139-50	1/10W 4.7kΩ	R411	111-4791-91	1/4WS 4.7Ω
R191	032-0144-60	1/10W 560Ω	R332	032-0131-10	1/10W 10kΩ±0.1%	R412	111-4791-91	1/4WS 4.7Ω
R192	032-0144-60	1/10W 560Ω	R333	032-0131-10	1/10W 10kΩ±0.1%	R413	117-4721-10	1/10W 4.7kΩ
R193	032-0144-60	1/10W 560Ω	R334	117-2211-10	1/10W 220Ω	R414	117-2731-10	1/10W 27kΩ
R194	111-3311-91	1/4WS 330Ω	R335	117-1031-10	1/10W 10kΩ	R415	032-0144-61	1/10W 2.2kΩ
R195	111-3311-91	1/4WS 330Ω	R336	032-0144-61	1/10W 2.2kΩ	R416	117-4721-10	1/10W 4.7kΩ
R196	032-0057-03	5W 0.22Ω	R337	032-0144-61	1/10W 2.2kΩ	R417	117-2731-10	1/10W 27kΩ
R197	032-0057-03	5W 0.22Ω	R338	117-1031-10	1/10W 10kΩ	R418	117-1031-10	1/10W 10kΩ
R198	111-4791-91	1/4WS 4.7Ω	R343	117-2211-10	1/10W 220Ω	R419	117-4721-10	1/10W 4.7kΩ
R199	032-0156-51	1/4W 560Ω±1%	R344	117-2211-10	1/10W 220Ω	R420	117-2731-10	1/10W 27kΩ
R200	032-0156-51	1/4W 560Ω±1%	R345	117-4741-10	1/10W 470kΩ	R421	032-0144-61	1/10W 2.2kΩ
R201	111-4791-91	1/4WS 4.7Ω	R346	117-4741-10	1/10W 470kΩ	R422	117-4721-10	1/10W 4.7kΩ
R202	111-4791-91	1/4WS 4.7Ω	R347	117-3931-10	1/10W 39kΩ	R423	117-2731-10	1/10W 27kΩ
R203	032-0156-51	1/4W 560Ω±1%	R348	117-3931-10	1/10W 39kΩ	R424	117-1031-10	1/10W 10kΩ
R204	032-0156-51	1/4W 560Ω±1%	R349	117-3931-10	1/10W 39kΩ	R425	117-1031-10	1/10W 10kΩ
R205	111-4791-91	1/4WS 4.7Ω	R350	117-3931-10	1/10W 39kΩ	R426	117-1031-10	1/10W 10kΩ
R206	111-4791-91	1/4WS 4.7Ω	R351	117-5641-10	1/10W 560kΩ	R427	032-0144-62	1/10W 47kΩ
R207	111-4791-91	1/4WS 4.7Ω	R352	117-5641-10	1/10W 560kΩ	R428	117-1001-10	1/10W 10Ω
R208	111-4791-91	1/4WS 4.7Ω	R355	032-0144-58	1/10W 150Ω	R429	032-0144-62	1/10W 47kΩ
R209	111-4791-91	1/4WS 4.7Ω	R356	032-0144-58	1/10W 150Ω	R430	117-1001-10	1/10W 10Ω
R210	117-1031-10	1/10W 10kΩ	R357	111-6831-91	1/4WS 68kΩ	R431	111-1011-91	1/4WS 100Ω
R211	117-1031-10	1/10W 10kΩ	R358	111-6831-91	1/4WS 68kΩ	R432	111-1011-91	1/4WS 100Ω
R212	117-1031-10	1/10W 10kΩ	R359	032-0144-59	1/10W 270Ω	R433	032-0144-54	1/10W 47Ω
R213	117-1031-10	1/10W 10kΩ	R360	032-0144-59	1/10W 270Ω	R434	032-0144-54	1/10W 47Ω
R214	117-1001-10	1/10W 10Ω	R361	032-0144-59	1/10W 270Ω	R435	032-0156-51	1/4W 560Ω±1%
R215	117-1001-10	1/10W 10Ω	R362	032-0144-59	1/10W 270Ω	R436	111-1011-91	1/4WS 100Ω
R216	111-1001-91	1/4WS 10Ω	R363	032-0156-50	1/4W 220Ω±1%	R437	111-1011-91	1/4WS 100Ω
R217	111-1001-91	1/4WS 10Ω	R364	032-0156-50	1/4W 220Ω±1%	R438	032-0144-54	1/10W 47Ω
R218	117-2231-10	1/10W 22kΩ	R365	032-0144-60	1/10W 560Ω	R439	032-0144-54	1/10W 47Ω
R219	117-2231-10	1/10W 22kΩ	R366	032-0144-60	1/10W 560Ω	R440	032-0156-51	1/4W 560Ω±1%
R220	117-1011-10	1/10W 100Ω	R367	032-0144-60	1/10W 560Ω	R801	117-2201-10	1/10W 22Ω
R221	117-1011-10	1/10W 100Ω	R368	032-0144-60	1/10W 560Ω	R802	117-8231-10	1/10W 82kΩ
R222	117-4721-10	1/10W 4.7kΩ	R369	111-1811-91	1/4WS 180Ω	R803	111-1021-91	1/4WS 1kΩ
R223	117-2731-10	1/10W 27kΩ	R370	111-6831-91	1/4WS 68kΩ	R804	117-6811-10	1/10W 680Ω
R224	032-0144-61	1/10W 2.2kΩ	R371	111-1811-91	1/4WS 180Ω	R805	117-1521-10	1/10W 1.5kΩ
R225	117-4721-10	1/10W 4.7kΩ	R372	111-1811-91	1/4WS 180Ω	R806	032-0144-62	1/10W 47kΩ
R226	117-2731-10	1/10W 27kΩ	R373	111-6831-91	1/4WS 68kΩ	R807	111-1221-91	1/4WS 1.2kΩ
R227	117-1031-10	1/10W 10kΩ	R374	111-1811-91	1/4WS 180Ω	R808	111-4701-91	1/4WS 47Ω
R228	117-4721-10	1/10W 4.7kΩ	R375	032-0092-73	1/10W 3.9kΩ±1%	R809	117-1031-10	1/10W 10kΩ
R229	117-2731-10	1/10W 27kΩ	R376	032-0092-32	1/10W 820Ω	R810	111-4701-91	1/4WS 47Ω
R230	032-0144-61	1/10W 2.2kΩ	R377	032-0092-73	1/10W 3.9kΩ±1%	R811	032-0144-50	1/10W 1kΩ
R231	117-4721-10	1/10W 4.7kΩ	R378	032-0092-32	1/10W 820Ω	R812	117-4721-10	1/10W 4.7kΩ
R232	117-2731-10	1/10W 27kΩ	R379	111-2201-91	1/4WS 22Ω	R813	117-2221-10	1/10W 2.2kΩ
R233	117-1031-10	1/10W 10kΩ	R380	111-2201-91	1/4WS 22Ω	R814	117-1521-10	1/10W 1.5kΩ
R234	117-1031-10	1/10W 10kΩ	R381	111-2201-91	1/4WS 22Ω	R815	117-1041-10	1/10W 100kΩ
R235	117-1031-10	1/10W 10kΩ	R382	111-2201-91	1/4WS 22Ω	R816	032-0144-50	1/10W 1kΩ
R236	032-0144-62	1/10W 47kΩ	R383	117-2211-10	1/10W 220Ω	R817	117-4721-10	1/10W 4.7kΩ
R237	117-1001-10	1/10W 10Ω	R384	117-2211-10	1/10W 220Ω	R818	117-1531-10	1/10W 15kΩ
R238	032-0144-62	1/10W 47kΩ	R385	117-2211-10	1/10W 220Ω	R819	117-2221-10	1/10W 2.2kΩ
R239	117-1001-10	1/10W 10Ω	R386	117-2211-10	1/10W 220Ω	R820	117-1531-10	1/10W 15kΩ
R240	111-1011-91	1/4WS 100Ω	R387	117-1231-10	1/10W 12kΩ	R821	117-2231-10	1/10W 22kΩ
R241	111-1011-91	1/4WS 100Ω	R388	117-1231-10	1/10W 12kΩ	R822	117-3321-10	1/10W 3.3kΩ

REF No.	PART No.	DESCRIPTION	REF No.	PART No.	DESCRIPTION	REF No.	PART No.	DESCRIPTION
R824	117-1841-10	1/10W 180kΩ	R853	117-1011-10	1/10W 100Ω	R880	032-0092-79	1/10W 5.6kΩ ± 1%
R827	117-1031-10	1/10W 10kΩ	R854	117-1011-10	1/10W 100Ω	R881	032-0092-73	1/10W 3.9kΩ ± 1%
R828	117-2201-10	1/10W 22Ω	R855	117-1531-10	1/10W 15kΩ	R882	032-0092-73	1/10W 3.9kΩ ± 1%
R829	032-0156-54	1/4W 6.2kΩ ± 1%	R856	117-8231-10	1/10W 82kΩ	R883	032-0092-79	1/10W 5.6kΩ ± 1%
R830	111-2221-91	1/4WS 2.2kΩ	R857	111-4791-91	1/4WS 4.7Ω	R884	111-2721-91	1/4WS 2.7kΩ
R831	117-2731-10	1/10W 27kΩ	R858	111-4791-91	1/4WS 4.7Ω	S801	013-5110-00	SLIDE SWITCH
R832	117-1031-10	1/10W 10kΩ	R859	032-0144-50	1/10W 1kΩ	S802	013-5109-00	SLIDE SWITCH
R833	117-4741-10	1/10W 470kΩ	R860	032-0089-14	2W 82Ω	S803	013-5100-04	SSSU122-S06N1 1-2
R834	117-1031-10	1/10W 10kΩ	R861	117-4741-10	1/10W 470kΩ	S804	013-5100-04	SSSU122-S06N1 1-2
R835	117-4721-10	1/10W 4.7kΩ	R862	032-0092-11	1/10W 1kΩ ± 1%	T801	007-1158-00	OUTPUT TRANS
R836	111-2201-91	1/4WS 22Ω	R863	032-0092-81	1/10W 180kΩ ± 1%	T802	007-1158-00	OUTPUT TRANS
R837	117-1231-10	1/10W 12kΩ	R864	032-0092-07	1/10W 12kΩ ± 1%	TH801	002-0223-00	PTH9M04BE471T
R838	117-1011-10	1/10W 100Ω	R865	032-0089-12	2W 22Ω	TH802	002-0223-03	POSISTOR
R839	111-2201-91	1/4WS 22Ω	R866	032-0089-12	2W 22Ω	TM101	073-0743-90	GND PLATE
R840	117-2221-10	1/10W 2.2kΩ	R867	032-0156-63	1/4W 56kΩ ± 1%	TM301	073-0743-90	GND PLATE
R841	117-1011-10	1/10W 100Ω	R868	032-0156-56	1/4W 8.2kΩ ± 1%	TM801	073-0743-90	GND PLATE
R842	117-2221-10	1/10W 2.2kΩ	R869	032-0156-57	1/4W 10kΩ ± 1%	TM802	073-0743-90	GND PLATE
R843	117-2201-10	1/10W 22Ω	R870	117-1041-10	1/10W 100kΩ	VR101	012-4855-00	330Ω
R844	117-6831-10	1/10W 68kΩ	R871	117-1541-10	1/10W 150kΩ	VR102	012-4855-00	330Ω
R845	117-2241-10	1/10W 220kΩ	R872	117-1541-10	1/10W 150kΩ	VR301	012-4855-00	330Ω
R846	117-4721-10	1/10W 4.7kΩ	R873	117-1541-10	1/10W 150kΩ	VR302	012-4855-00	330Ω
R847	117-4721-10	1/10W 4.7kΩ	R874	117-1541-10	1/10W 150kΩ	VR801	012-4855-00	330Ω
R848	032-0144-62	1/10W 47kΩ	R875	117-3321-10	1/10W 3.3kΩ	VR802	012-4855-00	330Ω
R849	117-1011-10	1/10W 100Ω	R876	117-1011-10	1/10W 100Ω			
R850	117-1011-10	1/10W 100Ω	R877	117-1011-10	1/10W 100Ω			
R851	117-1011-10	1/10W 100Ω	R878	117-8221-10	1/10W 8.2kΩ			
R852	117-1011-10	1/10W 100Ω	R879	117-8221-10	1/10W 8.2kΩ			

Sub PWB section(B2)

REF No.	PART No.	DESCRIPTION	REF No.	PART No.	DESCRIPTION	REF No.	PART No.	DESCRIPTION
C501	176-1011-00	100pF CH	C613	043-0508-50	0.1 μF	D710	001-2613-90	HSM107S-TL
C502	176-1011-00	100pF CH	C614	043-0508-50	0.1 μF	D711	001-2613-90	HSM107S-TL
C503	182-3363-43	25V33 μF	C615	043-0508-50	0.1 μF	D712	001-2613-90	HSM107S-TL
C504	182-3363-43	25V33 μF	C616	043-0508-50	0.1 μF	D713	001-2613-90	HSM107S-TL
C505	176-4701-00	47pF CH	C617	043-0508-50	0.1 μF	D714	001-2613-90	HSM107S-TL
C507	176-4701-00	47pF CH	C618	043-0509-50	0.047 μF	D715	001-0541-00	MA157
C508	178-1042-78	0.1 μF	C619	043-0509-50	0.047 μF	D716	001-0541-00	MA157
C509	178-1042-78	0.1 μF	C620	043-0508-50	0.1 μF	D717	001-0541-00	MA157
C510	176-1501-00	15pF CH	C621	172-2241-11	0.22 μF	D718	001-0541-00	MA157
C511	176-1501-00	15pF CH	C622	043-0508-50	0.1 μF	D701	379-5000-11	INDICATOR
C512	043-0508-50	0.1 μF	C623	043-0508-50	0.1 μF	D702	379-5000-11	INDICATOR
C513	043-0508-50	0.1 μF	C624	172-2741-11	0.27 μF	D703	379-5000-11	INDICATOR
C514	043-0508-50	0.1 μF	C625	172-2741-11	0.27 μF	D706	379-5000-11	INDICATOR
C515	043-0508-50	0.1 μF	C626	172-8241-11	0.82 μF	D719	379-5000-11	INDICATOR
C516	043-0508-50	0.1 μF	C627	172-8241-11	0.82 μF	D720	379-5000-11	INDICATOR
C517	043-0508-50	0.1 μF	C628	178-1022-78	1000pF	D721	379-5000-11	INDICATOR
C518	043-0509-50	0.047 μF	C629	178-1022-78	1000pF	D722	379-5000-11	INDICATOR
C519	043-0509-50	0.047 μF	C630	182-3363-43	25V33 μF	D723	379-5000-11	INDICATOR
C520	043-0508-50	0.1 μF	C631	182-3363-43	25V33 μF	D724	379-5000-11	INDICATOR
C521	172-2241-11	0.22 μF	C632	043-0508-50	0.1 μF	D725	379-5000-11	INDICATOR
C522	043-0508-50	0.1 μF	C701	178-1042-78	0.1 μF	D726	379-5000-11	INDICATOR
C523	043-0508-50	0.1 μF	C702	178-8232-78	0.082 μF	D727	001-0330-00	1SS119
C524	178-1042-78	0.1 μF	C703	178-8232-78	0.082 μF	FIL701	060-3101-07	NFM39R223
C525	172-2741-11	0.27 μF	C704	163-4763-30	16V47 μF	FIL702	060-3101-07	NFM39R223
C526	172-2741-11	0.27 μF	C705	163-4763-10	6.3V47 μF	FIL703	060-3101-07	NFM39R223
C527	172-8241-11	0.82 μF	C706	178-1042-78	0.1 μF	IC501	051-1807-00	P873-G35-911
C528	172-8241-11	0.82 μF	C707	163-1063-30	16V10 μF	IC502	051-1904-00	μPC4570G2
C529	178-1022-78	1000pF	C708	042-0505-05	6.3V22 μF	IC504	051-1904-00	μPC4570G2
C530	178-1022-78	1000pF	C709	178-1042-78	0.1 μF	IC505	051-1904-00	μPC4570G2
C531	182-3363-43	25V33 μF	C710	172-1041-11	0.1 μF	IC506	051-1904-00	μPC4570G2
C532	182-3363-43	25V33 μF	C711	163-2253-60	50V2.2 μF	IC507	051-1904-00	μPC4570G2
C533	043-0508-50	0.1 μF	C712	163-2253-60	50V2.2 μF	IC508	051-1904-00	μPC4570G2
C534	178-1042-78	0.1 μF	C713	163-2253-60	50V2.2 μF	IC509	051-1904-00	μPC4570G2
C535	178-1042-78	0.1 μF	C714	163-2253-60	50V2.2 μF	IC510	051-1904-00	μPC4570G2
C601	176-1011-00	100pF CH	C715	178-1042-78	0.1 μF	IC601	051-1807-00	P873-G35-911
C602	176-1011-00	100pF CH	C716	178-1042-78	0.1 μF	IC602	051-1904-00	μPC4570G2
C603	182-3363-43	25V33 μF	C717	178-2242-78	0.22 μF	IC604	051-1904-00	μPC4570G2
C604	182-3363-43	25V33 μF	C718	178-2242-78	0.22 μF	IC605	051-1904-00	μPC4570G2
C605	176-4701-00	47pF CH	C719	178-1042-78	0.1 μF	IC606	051-1904-00	μPC4570G2
C607	176-4701-00	47pF CH	C720	178-1042-78	0.1 μF	IC607	051-1904-00	μPC4570G2
C610	176-1501-00	15pF CH	D501	001-7008-00	GL3ED8	IC608	051-1904-00	μPC4570G2
C611	176-1501-00	15pF CH	D502	001-0330-00	1SS119	IC609	051-1904-00	μPC4570G2
C612	043-0508-50	0.1 μF	D709	001-2613-90	HSM107S-TL	IC610	051-1904-00	μPC4570G2

REF No.	PART No.	DESCRIPTION	REF No.	PART No.	DESCRIPTION	REF No.	PART No.	DESCRIPTION
IC701	051-5825-00	LM61CIZ	R537	117-1031-10	1/10W 10kΩ	R654	117-5611-10	1/10W 560Ω
IC702	051-0350-55	NJM4558M	R538	117-1031-10	1/10W 10kΩ	R655	117-5611-10	1/10W 560Ω
IC703	051-0717-10	NJM7805FA	R539	117-1031-10	1/10W 10kΩ	R656	117-1031-10	1/10W 10kΩ
IC704	051-0350-55	NJM4558M	R540	117-1011-10	1/10W 100Ω	R657	117-1031-10	1/10W 10kΩ
IC705	051-5407-08	S-80721AN-DJ	R541	117-5131-10	1/10W 51kΩ	R658	117-4731-10	1/10W 47kΩ
IC706	052-7050-00	μPD780022AGC-535-AB8	R542	117-5131-10	1/10W 51kΩ	R659	117-4731-10	1/10W 47kΩ
IC707	051-0350-55	NJM4558M	R543	111-1221-91	1/4WS 1.2kΩ	R660	117-3321-10	1/10W 3.3kΩ
IC708	051-0350-55	NJM4558M	R545	117-5131-10	1/10W 51kΩ	R661	117-3321-10	1/10W 3.3kΩ
IC709	051-0350-55	NJM4558M	R547	117-5131-10	1/10W 51kΩ	R662	117-2221-10	1/10W 2.2kΩ
P501	076-0515-10	10P	R548	117-1011-10	1/10W 100Ω	R663	117-2221-10	1/10W 2.2kΩ
P502	076-0515-10	10P	R549	117-1011-10	1/10W 100Ω	R664	117-6811-10	1/10W 680Ω
P701	076-0567-09	9P	R550	117-1011-10	1/10W 100Ω	R665	117-6811-10	1/10W 680Ω
P702	076-0567-09	9P	R551	117-1011-10	1/10W 100Ω	R701	117-8211-10	1/10W 820Ω
Q503	100-1162-00	2SA1162	R553	117-2231-10	1/10W 22kΩ	R702	117-8211-10	1/10W 820Ω
Q701	100-1298-00	2SA1298	R554	117-1011-10	1/10W 100Ω	R703	032-0092-90	1/10W 10kΩ±1%
Q702	100-1298-00	2SA1298	R555	117-2721-10	1/10W 2.7kΩ	R704	032-0131-67	1/10W 9.1kΩ
Q703	100-1298-00	2SA1298	R556	117-2721-10	1/10W 2.7kΩ	R705	032-0092-44	1/10W 200Ω
Q704	100-1298-00	2SA1298	R558	117-2231-10	1/10W 22kΩ	R706	032-0131-10	1/10W 10kΩ±0.1%
Q705	100-1298-00	2SA1298	R559	117-1531-10	1/10W 15kΩ	R707	114-1001-21	2W 10Ω
Q706	102-2712-00	2SC2712	R560	117-1531-10	1/10W 15kΩ	R708	117-2421-15	1/10W 2.4kΩ
Q707	102-2712-00	2SC2712	R561	117-2201-10	1/10W 22Ω	R709	032-0092-05	1/10W 100kΩ±1%
Q708	102-2712-00	2SC2712	R562	117-5611-10	1/10W 560Ω	R710	117-2021-10	1/10W 2kΩ
Q709	102-2712-00	2SC2712	R563	117-5611-10	1/10W 560Ω	R711	117-2221-10	1/10W 2.2kΩ
Q710	102-2712-00	2SC2712	R564	117-1031-10	1/10W 10kΩ	R712	117-8211-10	1/10W 820Ω
Q711	102-2712-00	2SC2712	R565	117-1031-10	1/10W 10kΩ	R713	032-0092-90	1/10W 10kΩ±1%
Q712	102-2712-00	2SC2712	R566	117-4731-10	1/10W 47kΩ	R714	032-0092-90	1/10W 10kΩ±1%
Q713	102-2712-00	2SC2712	R567	117-4731-10	1/10W 47kΩ	R715	032-0092-90	1/10W 10kΩ±1%
Q714	102-2712-00	2SC2712	R568	117-3321-10	1/10W 3.3kΩ	R716	032-0092-07	1/10W 12kΩ±1%
Q715	100-1298-00	2SA1298	R569	117-3321-10	1/10W 3.3kΩ	R717	032-0092-14	1/10W 2kΩ
Q716	102-2712-00	2SC2712	R570	117-2231-10	1/10W 22kΩ	R718	032-0092-90	1/10W 10kΩ±1%
Q717	100-1298-00	2SA1298	R571	117-2221-10	1/10W 2.2kΩ	R719	032-0092-90	1/10W 10kΩ±1%
Q718	100-1298-00	2SA1298	R572	117-2221-10	1/10W 2.2kΩ	R720	117-3311-10	1/10W 330Ω
Q719	100-1298-00	2SA1298	R573	117-6811-10	1/10W 680Ω	R721	117-3311-10	1/10W 330Ω
Q720	100-1298-00	2SA1298	R574	117-6811-10	1/10W 680Ω	R722	117-3311-10	1/10W 330Ω
Q721	100-1298-00	2SA1298	R601	117-8231-10	1/10W 82kΩ	R723	117-3311-10	1/10W 330Ω
Q722	102-2712-00	2SC2712	R602	117-2731-10	1/10W 27kΩ	R724	117-3311-10	1/10W 330Ω
Q723	102-2712-00	2SC2712	R603	117-4721-10	1/10W 4.7kΩ	R725	117-8211-10	1/10W 820Ω
Q724	102-2712-00	2SC2712	R604	117-4721-10	1/10W 4.7kΩ	R726	117-8211-10	1/10W 820Ω
Q725	102-2712-00	2SC2712	R605	117-7511-15	1/10W 750Ω	R727	117-1031-10	1/10W 10kΩ
Q726	102-2712-00	2SC2712	R606	117-7511-15	1/10W 750Ω	R728	117-1031-10	1/10W 10kΩ
Q727	102-2712-00	2SC2712	R617	117-2031-10	1/10W 20kΩ	R729	117-1011-10	1/10W 100Ω
Q728	102-2712-00	2SC2712	R618	117-2031-10	1/10W 20kΩ	R730	117-1011-10	1/10W 100Ω
Q729	102-2712-00	2SC2712	R622	117-1031-10	1/10W 10kΩ	R731	117-1011-10	1/10W 100Ω
Q730	100-1298-00	2SA1298	R623	117-1031-10	1/10W 10kΩ	R732	117-1011-10	1/10W 100Ω
Q731	100-1431-00	2SA1431	R624	117-1531-10	1/10W 15kΩ	R733	117-1011-10	1/10W 100Ω
Q732	102-2712-00	2SC2712	R625	117-1531-10	1/10W 15kΩ	R734	117-1011-10	1/10W 100Ω
Q733	100-1162-00	2SA1162	R626	117-1031-10	1/10W 10kΩ	R735	117-1011-10	1/10W 100Ω
Q734	100-1162-00	2SA1162	R627	117-1031-10	1/10W 10kΩ	R736	117-1011-10	1/10W 100Ω
Q735	100-1162-00	2SA1162	R628	117-6821-10	1/10W 6.8kΩ	R737	117-8211-10	1/10W 820Ω
Q736	100-1162-00	2SA1162	R629	117-6821-10	1/10W 6.8kΩ	R738	117-8221-10	1/10W 8.2kΩ
R501	117-8231-10	1/10W 82kΩ	R630	117-1031-10	1/10W 10kΩ	R739	117-8221-10	1/10W 8.2kΩ
R502	117-2731-10	1/10W 27kΩ	R631	117-1031-10	1/10W 10kΩ	R740	117-8221-10	1/10W 8.2kΩ
R503	117-4721-10	1/10W 4.7kΩ	R632	117-6821-10	1/10W 6.8kΩ	R741	117-8221-10	1/10W 8.2kΩ
R504	117-4721-10	1/10W 4.7kΩ	R633	117-6821-10	1/10W 6.8kΩ	R742	117-8221-10	1/10W 8.2kΩ
R505	117-7511-15	1/10W 750Ω	R634	117-1031-10	1/10W 10kΩ	R743	117-8221-10	1/10W 8.2kΩ
R506	117-7511-15	1/10W 750Ω	R635	117-1031-10	1/10W 10kΩ	R744	117-8221-10	1/10W 8.2kΩ
R517	117-2031-10	1/10W 20kΩ	R636	117-1031-10	1/10W 10kΩ	R745	117-8221-10	1/10W 8.2kΩ
R518	117-2031-10	1/10W 20kΩ	R637	117-1031-10	1/10W 10kΩ	R746	117-8211-10	1/10W 820Ω
R522	117-1031-10	1/10W 10kΩ	R638	117-1031-10	1/10W 10kΩ	R748	117-5621-10	1/10W 5.6kΩ
R523	117-1031-10	1/10W 10kΩ	R639	117-1031-10	1/10W 10kΩ	R749	117-1031-10	1/10W 10kΩ
R524	117-1531-10	1/10W 15kΩ	R640	117-1011-10	1/10W 100Ω	R750	117-8211-10	1/10W 820Ω
R525	117-1531-10	1/10W 15kΩ	R641	117-5131-10	1/10W 51kΩ	R751	117-1031-10	1/10W 10kΩ
R526	117-1031-10	1/10W 10kΩ	R642	117-5131-10	1/10W 51kΩ	R752	117-1031-10	1/10W 10kΩ
R527	117-1031-10	1/10W 10kΩ	R643	117-5131-10	1/10W 51kΩ	R753	117-1031-10	1/10W 10kΩ
R528	117-6821-10	1/10W 6.8kΩ	R644	117-5131-10	1/10W 51kΩ	R754	117-1031-10	1/10W 10kΩ
R529	117-6821-10	1/10W 6.8kΩ	R645	117-1011-10	1/10W 100Ω	R755	117-1031-10	1/10W 10kΩ
R530	117-1031-10	1/10W 10kΩ	R646	117-1011-10	1/10W 100Ω	R756	117-1031-10	1/10W 10kΩ
R531	117-1031-10	1/10W 10kΩ	R647	117-1011-10	1/10W 100Ω	R757	117-8211-10	1/10W 820Ω
R532	117-6821-10	1/10W 6.8kΩ	R648	117-1011-10	1/10W 100Ω	R758	117-8211-10	1/10W 820Ω
R533	117-6821-10	1/10W 6.8kΩ	R649	117-1011-10	1/10W 100Ω	R759	117-8211-10	1/10W 820Ω
R534	117-1031-10	1/10W 10kΩ	R650	117-2721-10	1/10W 2.7kΩ	R760	117-8221-10	1/10W 8.2kΩ
R535	117-1031-10	1/10W 10kΩ	R651	117-2721-10	1/10W 2.7kΩ	R761	117-8221-10	1/10W 8.2kΩ
R536	117-1031-10	1/10W 10kΩ	R652	117-1531-10	1/10W 15kΩ	R762	117-8221-10	1/10W 8.2kΩ
			R653	117-1531-10	1/10W 15kΩ	R763	117-8221-10	1/10W 8.2kΩ

REF No.	PART No.	DESCRIPTION	REF No.	PART No.	DESCRIPTION	REF No.	PART No.	DESCRIPTION
R764	117-8221-10	1/10W 8.2kΩ	R785	117-1031-10	1/10W 10kΩ	R806	117-3021-10	1/10W 3kΩ
R765	117-8221-10	1/10W 8.2kΩ	R786	117-1031-10	1/10W 10kΩ	R807	117-3021-10	1/10W 3kΩ
R766	117-8221-10	1/10W 8.2kΩ	R787	117-1031-10	1/10W 10kΩ	R808	117-6821-10	1/10W 6.8kΩ
R767	117-8221-10	1/10W 8.2kΩ	R788	117-4711-10	1/10W 470Ω	R809	117-6821-10	1/10W 6.8kΩ
R768	117-1011-10	1/10W 100Ω	R789	117-3921-10	1/10W 3.9kΩ	R810	117-3021-10	1/10W 3kΩ
R769	117-1011-10	1/10W 100Ω	R790	117-3921-10	1/10W 3.9kΩ	S501	013-8105-00	SLIDE SWITCH
R770	117-1011-10	1/10W 100Ω	R791	117-3331-10	1/10W 33kΩ	S601	013-8105-00	SLIDE SWITCH
R771	117-1011-10	1/10W 100Ω	R792	117-3331-10	1/10W 33kΩ	TM701	073-0762-90	TERMINAL
R772	117-1011-10	1/10W 100Ω	R793	117-3331-10	1/10W 33kΩ	TM702	073-0762-90	TERMINAL
R773	117-1011-10	1/10W 100Ω	R794	117-3331-10	1/10W 33kΩ	TM703	073-0762-90	TERMINAL
R774	117-1011-10	1/10W 100Ω	R795	117-2231-10	1/10W 22kΩ	TM704	073-0762-90	TERMINAL
R775	117-1011-10	1/10W 100Ω	R796	117-2231-10	1/10W 22kΩ	VR501	016-9900-73	20kΩ
R776	117-8211-10	1/10W 820Ω	R797	117-1841-10	1/10W 180kΩ	VR502	016-9900-74	30kΩ
R777	117-1031-10	1/10W 10kΩ	R798	117-1841-10	1/10W 180kΩ	VR503	016-9900-76	100kΩ
R778	117-1031-10	1/10W 10kΩ	R799	117-3021-10	1/10W 3kΩ	VR504	016-9900-75	10kΩ
R779	117-1031-10	1/10W 10kΩ	R800	117-3021-10	1/10W 3kΩ	VR601	016-9900-73	20kΩ
R780	117-1031-10	1/10W 10kΩ	R801	117-2231-10	1/10W 22kΩ	VR602	016-9900-74	30kΩ
R781	117-1031-10	1/10W 10kΩ	R802	117-2231-10	1/10W 22kΩ	VR603	016-9900-76	100kΩ
R782	117-1031-10	1/10W 10kΩ	R803	117-1841-10	1/10W 180kΩ	VR604	016-9900-75	10kΩ
R783	117-1031-10	1/10W 10kΩ	R804	117-1841-10	1/10W 180kΩ	X701	060-1002-00	CERA-RESONATOR
R784	117-1031-10	1/10W 10kΩ	R805	117-3021-10	1/10W 3kΩ			