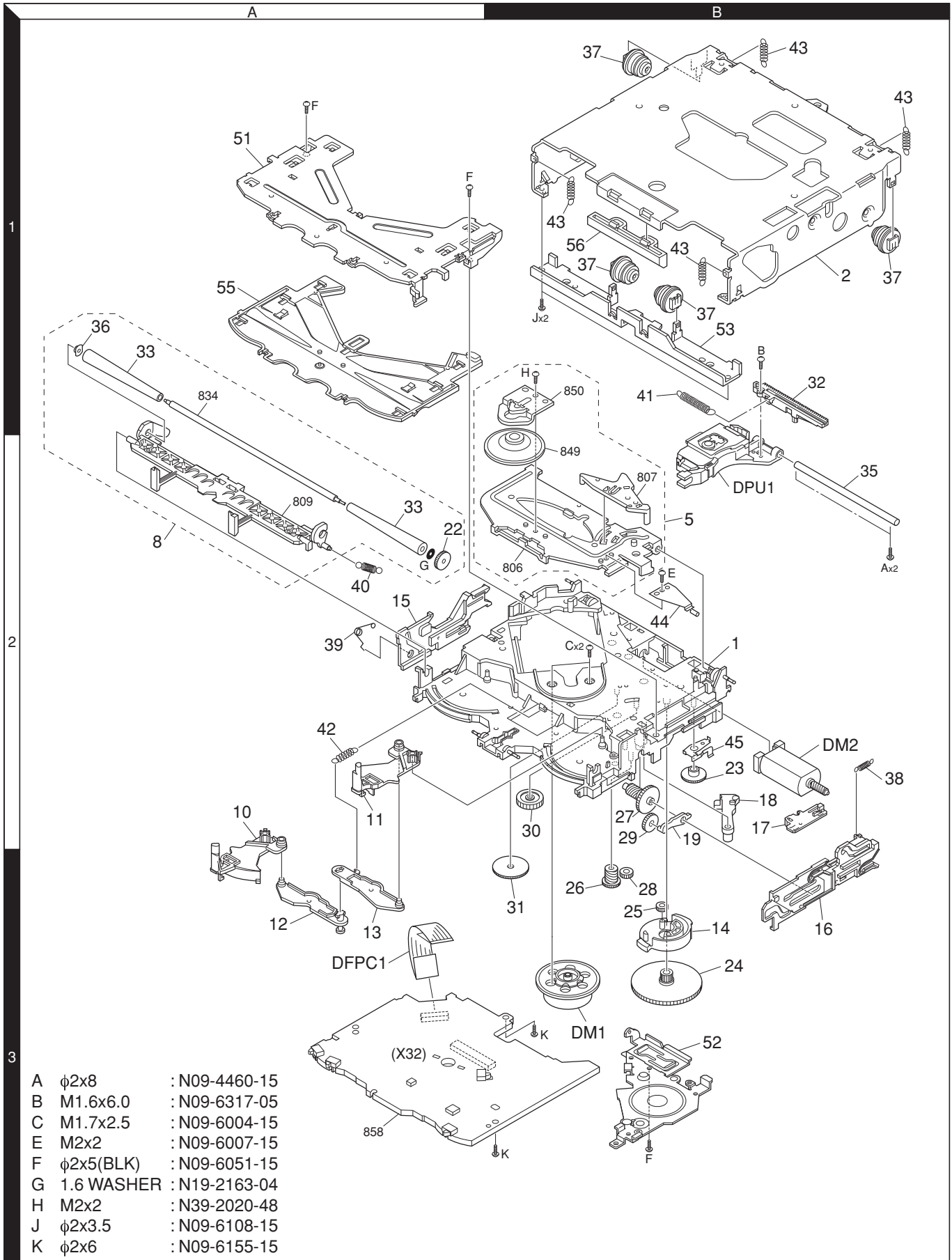
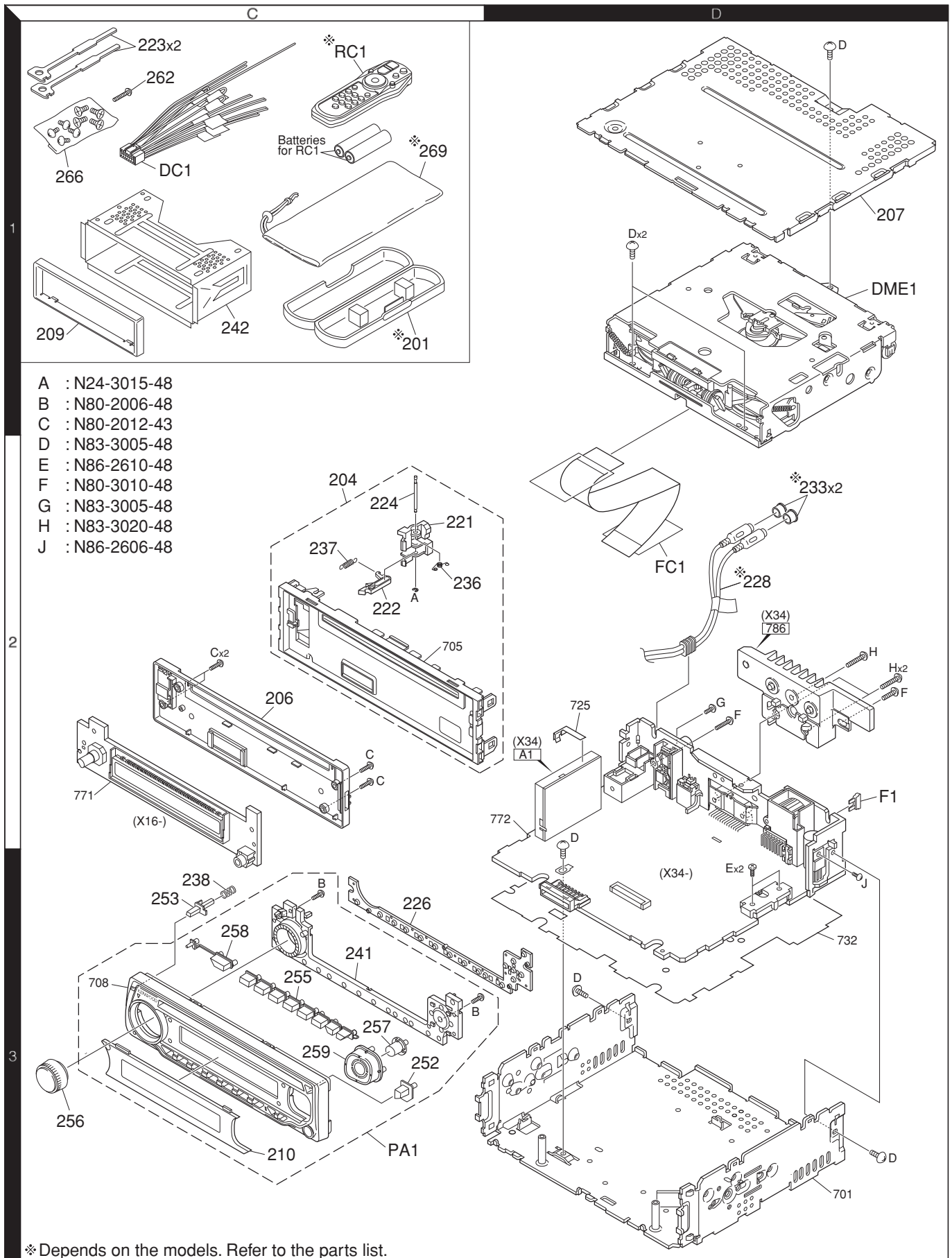


EXPLODED VIEW (CD MECHANISM)



EXPLODED VIEW (UNIT)



PARTS LIST

* New parts
Parts without **Parts No.** are not supplied.
Les articles non mentionnés dans le **Parts No.** ne sont pas fournis.
Teile ohne **Parts No.** werden nicht geliefert.

Ref. No.	A d d	N e w	Parts No.	Description	Desti- nation
KDC-MP208/MP238/MP238CR/MP239/MP3039/MP339/MP339S/MP439					
201	1C		A02-2736-03	PLASTIC CABINET ASSY	M1M2M3
201	1C		A02-2736-03	PLASTIC CABINET ASSY	M4M5
204	2C	*	A22-3149-03	SUB PANEL ASSY	
206	2C	*	A46-1861-01	REAR COVER	
207	1D		A52-0804-12	TOP PLATE	
PA1	3C	*	A64-4273-02	PANEL ASSY	K
PA1	3C	*	A64-4274-02	PANEL ASSY	K1
PA1	3C	*	A64-4275-02	PANEL ASSY	K2
PA1	3C	*	A64-4281-02	PANEL ASSY	M1
PA1	3C	*	A64-4282-02	PANEL ASSY	M2
PA1	3C	*	A64-4283-02	PANEL ASSY	M3
PA1	3C	*	A64-4284-02	PANEL ASSY	M4
PA1	3C	*	A64-4285-02	PANEL ASSY	M5
RC1	1C		A70-2069-15	REMOTE CONTROLLER ASSY (RC-517)	K1K2M3
RC1	1C		A70-2069-15	REMOTE CONTROLLER ASSY (RC-517)	M4M5
RC1	1C		A70-2087-05	REMOTE CONTROLLER ASSY (RC-557)	KM1
-			B46-0690-04	ID CARD	KK1K2
-			B46-0690-04	ID CARD	M2M3M4
-			B46-0690-04	ID CARD	M5
-			B46-0691-04	ID CARD	M1
-		*	B64-3898-00	INST. MANUAL (ENG.FRE.SPA.)	KK1K2
-		*	B64-3901-00	INST. MANUAL (ENG.S-CHI.)	M1M2M3
-		*	B64-3901-00	INST. MANUAL (ENG.S-CHI.)	M4M5
-		*	B64-3902-00	INST. MANUAL (ARABIC)	M1M2M3
-		*	B64-3902-00	INST. MANUAL (ARABIC)	M4M5
209	1C		B07-3122-01	ESCUTCHEON	KK1K2
209	1C		B07-3122-01	ESCUTCHEON	M1M2M4
209	1C	*	B07-3229-01	ESCUTCHEON	M3M5
210	3C	*	B10-4996-01	FRONT GLASS	K
210	3C	*	B10-4997-01	FRONT GLASS	K1
210	3C	*	B10-4998-01	FRONT GLASS	K2
210	3C	*	B10-5003-01	FRONT GLASS	M1
210	3C	*	B10-5004-01	FRONT GLASS	M2
210	3C	*	B10-5005-01	FRONT GLASS	M3
210	3C	*	B10-5006-01	FRONT GLASS	M4M5
221	2C		D10-4446-03	LEVER	
222	2C		D10-4447-03	LEVER	
223	1C		D10-4589-04	LEVER	
224	2C		D21-2329-04	SHAFT	
226	3C	*	E29-2115-02	CONDUCTIVE RUBBER	
228	2D		E30-6229-05	CORD WITH PINPLUG	KM1
△ DC1	1C		E30-6415-15	DC CORD	
△ FC1	2D	*	E39-0958-05	FLAT CABLE	
233	2D		F29-0626-04	INSULATING COVER	KM1
△ F1	2D		F52-0023-05	FUSE (MINI BLADE TYPE) (10A)	
236	2C		G01-2987-04	TORSION COIL SPRING	
237	2C		G01-3096-04	EXTENSION SPRING	
238	3C		G01-3244-04	COMPRESSION SPRING (REL)	
-		*	H54-4151-03	ITEM CARTON CASE	K
-		*	H54-4152-03	ITEM CARTON CASE	K1
-		*	H54-4153-03	ITEM CARTON CASE	K2

Ref. No.	A d d	N e w	Parts No.	Description	Desti- nation
-		*	H54-4159-03	ITEM CARTON CASE	M1
-		*	H54-4160-03	ITEM CARTON CASE	M2
-		*	H54-4161-03	ITEM CARTON CASE	M3
-		*	H54-4162-03	ITEM CARTON CASE	M4
-		*	H54-4163-03	ITEM CARTON CASE	M5
241	3C	*	J19-7186-01	HOLDER	
242	1C		J21-9716-03	MOUNTING HARDWARE ASSY	
252	3C	*	K24-4783-04	PUSH KNOB (EJECT)	
253	3C	*	K24-4786-04	PUSH KNOB (RELEASE)	
255	3C	*	K25-1906-02	PUSH KNOB (PRESET)	
256	3C	*	K28-0272-04	KNOB ASSY (VOL)	
257	3C	*	K24-4789-04	PUSH KNOB (PLAY/PAUSE)	
258	3C	*	K25-1909-03	PUSH KNOB (RESET/SRC)	
259	3C	*	K25-1912-03	PUSH KNOB (FM/AM)	
262	1C		N84-4016-48	PAN HEAD TAPTITE SCREW	
266	1C		N99-1757-05	SCREW SET	
A	2C		N24-3015-48	E TYPE RETAINING RING	
B	3C		N80-2006-48	PAN HEAD TAPTITE SCREW	
C	2C		N80-2012-43	PAN HEAD TAPTITE SCREW	
D	1D		N83-3005-48	PAN HEAD TAPTITE SCREW	
E	3D		N86-2610-48	BINDING HEAD TAPTITE SCREW	
269	1C		W01-1691-05	CARRYING CASE	K1
269	1C		W01-1692-05	CARRYING CASE	K
DME1	1D	*	X92-5880-06	MECHANISM ASSY (DXM-6E06W)	
SWITCH UNIT (X16-617x-xx)					
D1,2		*	B30-1779-05	LED (1608,SR)	K1K2M2
D1,2		*	B30-1779-05	LED (1608,SR)	M5
D1,2		*	B30-1781-05	LED (1608,BLUE)	KM1
D3-8		*	B30-1780-05	LED (1608,PG)	M3M4
D9		*	B30-1781-05	LED (1608,BLUE)	KM1
D9-11		*	B30-1779-05	LED (1608,SR)	K1K2M2
D9-11		*	B30-1779-05	LED (1608,SR)	M5
D10-19		*	B30-1780-05	LED (1608,PG)	M1M3M4
D10,11		*	B30-1779-05	LED (1608,SR)	K
D12			B30-1566-05	LED (1608,RED)	KK1K2
D12			B30-1566-05	LED (1608,RED)	M2M5
D13-18		*	B30-1779-05	LED (1608,SR)	KK1K2
D13-18		*	B30-1779-05	LED (1608,SR)	M2M5
D19,20			B30-1566-05	LED (1608,RED)	KK1K2
D19,20			B30-1566-05	LED (1608,RED)	M2M5
D20			B30-1566-05	LED (1608,RED)	M1M3M4
D21		*	B30-1779-05	LED (1608,SR)	KK1K2
D21		*	B30-1779-05	LED (1608,SR)	M2M5
D21		*	B30-1780-05	LED (1608,PG)	M1M3M4
D23		*	B30-1779-05	LED (1608,SR)	K1K2M2
D23		*	B30-1779-05	LED (1608,SR)	M5
D23		*	B30-1781-05	LED (1608,BLUE)	KM1
C10			CK73GB1A105K	CHIP C 1.0UF	K
C11,12			CK73GB1H103K	CHIP C 0.010UF	K
C15			CC73GCH1H470J	CHIP C 47PF	J
C21			CK73GB1A105K	CHIP C 1.0UF	K

PARTS LIST

SWITCH UNIT (X16-617x-xx)

Ref. No.	Add	New	Parts No.	Description	Destination
J1			E59-0852-05	RECTANGULAR PLUG	
J2			E11-0649-05	3.5D PHONE JACK	
CP11			RK74GA1J101J	CHIP-COM 100 J 1/16W	
R13			RK73GB2A221J	CHIP R 220 J 1/10W	
R15			RK73GB2A221J	CHIP R 220 J 1/10W	
R21			RK73GB2A104J	CHIP R 100K J 1/10W	
R22			RK73GB2A101J	CHIP R 100 J 1/10W	
R31-34			RK73FB2B471J	CHIP R 470 J 1/8W	M3M4 KM1 K1K2M2 M5
R61,62			RK73FB2B471J	CHIP R 470 J 1/8W	
R61,62			RK73FB2B561J	CHIP R 560 J 1/8W	
R61,62			RK73FB2B751J	CHIP R 750 J 1/8W	
R61,62			RK73FB2B751J	CHIP R 750 J 1/8W	
R70			RK73GB2A221J	CHIP R 220 J 1/10W	
R72			RK73GB2A472J	CHIP R 4.7K J 1/10W	
R74			RK73GB2A4R7J	CHIP R 4.7 J 1/10W	
R75			RK73GB2A203J	CHIP R 20K J 1/10W	
R78			RK73GB2A102J	CHIP R 1.0K J 1/10W	
R80,81		*	RK73EB2E240J	CHIP R 24 J 1/4W	
R96			RK73GB2A473J	CHIP R 47K J 1/10W	
S1			T99-0474-05	ROTARY ENCODER	
ED1		*	3-BT-257N	FLUORESCENT INDICATOR TUBE	
IC1			LC75756W	MOS-IC	
IC3		*	PIC95603	ANALOGUE IC	
CD PLAYER UNIT (X32-5970-02) IN CD MECHA					
C20			CC73GCH1H680J	CHIP C 68PF J	
C21			CK73GB1H472K	CHIP C 4700PF K	
C22			CK73GB1H222K	CHIP C 2200PF K	
C23			CC73GCH1H220J	CHIP C 22PF J	
C24			CK73FB1A225K	CHIP C 2.2UF K	
C25			CK73GB1A105K	CHIP C 1.0UF K	
C26			CK73GB1H153K	CHIP C 0.015UF K	
C27			CC73GCH1H470J	CHIP C 47PF J	
C30-32			CK73GB1H103K	CHIP C 0.010UF K	
C33			CK73GB1H332K	CHIP C 3300PF K	
C34			C93-1451-05	CHIP C 0.10UF K	
C35			CK73GB1H153K	CHIP C 0.015UF K	
C36			C93-1451-05	CHIP C 0.10UF K	
C38			CC73GCH1H680J	CHIP C 68PF J	
C39			C93-1451-05	CHIP C 0.10UF K	
C41			CK73GB1A105K	CHIP C 1.0UF K	
C44			C93-1451-05	CHIP C 0.10UF K	
C45,46			CK73GB1H222K	CHIP C 2200PF K	
C47,48			CK73GB1H333K	CHIP C 0.033UF K	
C49,50			C93-1451-05	CHIP C 0.10UF K	
C51			CK73GB1H222K	CHIP C 2200PF K	
C52,53			C93-1451-05	CHIP C 0.10UF K	
C54			CK73GB1A105K	CHIP C 1.0UF K	
C58			CK73EB1E105K	CHIP C 1.0UF K	
C60			CK73EB0J226K	CHIP C 22UF K	
C61-64			C93-1451-05	CHIP C 0.10UF K	
C66			CK73FB1C105K	CHIP C 1.0UF K	
C68,69			C93-1451-05	CHIP C 0.10UF K	
C71			C93-1451-05	CHIP C 0.10UF K	

Ref. No.	Add	New	Parts No.	Description	Destination
C72			CK73FB0J106K	CHIP C 10UF K	
C87,88			CK73GB1H222K	CHIP C 2200PF K	
C89-91			C93-1451-05	CHIP C 0.10UF K	
C94,95			CK73GB1A105K	CHIP C 1.0UF K	
C96			CK73GB1H103K	CHIP C 0.010UF K	
C97			C93-1451-05	CHIP C 0.10UF K	
C100,101			CK73GB1A105K	CHIP C 1.0UF K	
C102			CK73FB1A225K	CHIP C 2.2UF K	
C103			CK73GB1H153K	CHIP C 0.015UF K	
CN1			E41-2612-05	FLAT CABLE CONNECTOR	
CN2			E41-2083-15	FLAT CABLE CONNECTOR	
X1			L78-1221-05	RESONATOR (16.93MHZ)	
CP7			RK74GB1J103J	CHIP-COM 10K J 1/16W	
R20			RK73GB2A393J	CHIP R 39K J 1/10W	
R21			RK73GB2A163J	CHIP R 16K J 1/10W	
R22			RK73GB2A562J	CHIP R 5.6K J 1/10W	
R23			RK73GB2A273J	CHIP R 27K J 1/10W	
R25			RK73GB2A562J	CHIP R 5.6K J 1/10W	
R26			RK73GB2A683J	CHIP R 68K J 1/10W	
R27			RK73GB2A333J	CHIP R 33K J 1/10W	
R28			RK73GB2A563J	CHIP R 56K J 1/10W	
R29			RK73GB2A102J	CHIP R 1.0K J 1/10W	
R30			RK73GB2A101J	CHIP R 100 J 1/10W	
R31			RK73GB2A133J	CHIP R 13K J 1/10W	
R32			RK73GB2A181J	CHIP R 180 J 1/10W	
R33			RK73GB2A153J	CHIP R 15K J 1/10W	
R34			RK73GB2A473J	CHIP R 47K J 1/10W	
R35			RK73GB2A562J	CHIP R 5.6K J 1/10W	
R36			RK73GB2A154J	CHIP R 150K J 1/10W	
R37			RK73GB2A334J	CHIP R 330K J 1/10W	
R38			RK73GB2A223J	CHIP R 22K J 1/10W	
R40			RK73GB2A273J	CHIP R 27K J 1/10W	
R41			RK73GB2A393J	CHIP R 39K J 1/10W	
R45			RK73GB2A221J	CHIP R 220 J 1/10W	
R46			RK73GB2A105J	CHIP R 1.0M J 1/10W	
R48,49			RK73GB2A105J	CHIP R 1.0M J 1/10W	
R50			RK73GB2A560J	CHIP R 56 J 1/10W	
R51			RK73EB2E220J	CHIP R 22 J 1/4W	
R52			RK73EB2E100J	CHIP R 10 J 1/4W	
R55			RK73GB2A103J	CHIP R 10K J 1/10W	
R59			RK73GB2A4R7J	CHIP R 4.7 J 1/10W	
R60,61			RK73GB2A103J	CHIP R 10K J 1/10W	
R82,83			RK73GB2A102J	CHIP R 1.0K J 1/10W	
R216,217			RK73GB2A103J	CHIP R 10K J 1/10W	
R219,220			RK73GB2A472J	CHIP R 4.7K J 1/10W	
R221,222			RK73GB2A101J	CHIP R 100 J 1/10W	
R223			RK73GB2A103J	CHIP R 10K J 1/10W	
R226-230			RK73GB2A101J	CHIP R 100 J 1/10W	
R231			RK73GB2A473J	CHIP R 47K J 1/10W	
R232			RK73GB2A104J	CHIP R 100K J 1/10W	
R233			RK73GB2A331J	CHIP R 330 J 1/10W	
R239			RK73GB2A472J	CHIP R 4.7K J 1/10W	
R240			RK73EB2E470J	CHIP R 47 J 1/4W	

K : KDS-MP238 K1 : KDC-MP238CR K2 : KDC-MP208
M1 : KDC-MP439 M2 : KDC-MP239 M3 : KDC-MP3039 M4 : KDC-MP339 M5 : KDC-MP339S

△ Indicates safety critical components.

PARTS LIST

CD PLAYER UNIT (X32-5970-02) IN CD MECHA

Ref. No.	Add	New	Parts No.	Description	Destination
R241			RK73GB2A104J	CHIP R 100K J 1/10W	
R243			RK73GB2A472J	CHIP R 4.7K J 1/10W	
R244			RK73GB2A225J	CHIP R 2.2M J 1/10W	
R246			RK73GB2A333J	CHIP R 33K J 1/10W	
R247			RK73GB2A183J	CHIP R 18K J 1/10W	
R248			RK73GB2A472J	CHIP R 4.7K J 1/10W	
R252			RK73GB2A102J	CHIP R 1.0K J 1/10W	
S1,2			S68-0863-05	PUSH SWITCH	
S3			S68-0862-05	PUSH SWITCH	
D1			DA204U	DIODE	
D2			DAP202U	DIODE	
D3,4			DA204U	DIODE	
IC3			BA5824FP	ANALOGUE IC	
IC4			TC94A70FG-007	MOS-IC	
IC5			S-1132B15U5T1G	ANALOGUE IC	
IC6			S-1132B33U5T1G	ANALOGUE IC	
IC11			XC6206P152MR	ANALOGUE IC	
Q1			2SB0970	TRANSISTOR	
Q10-12			UM6K1N	DUAL FET	
Q13			DTC114YUA	DIGITAL TRANSISTOR	
ELECTRIC UNIT (X34-564x-xx)					
C1			CD04AZ1C332M2	ELECTRO 3300UF 16WV	
C2			CD04AB1C220M	ELECTRO 22UF 16WV	
C3			CK73GB1H104K	CHIP C 0.10UF K	KK1K2
C3,4			CK73GB1H104K	CHIP C 0.10UF K	M1M2M3
C3,4			CK73GB1H104K	CHIP C 0.10UF K	M4M5
C5			CD04AR1C221M	ELECTRO 220UF 16WV	
C7			CD04AB0J101M	ELECTRO 100UF 6.3WV	
C9			CK73GB1C104K	CHIP C 0.10UF K	
C11			CK73FB1A225K	CHIP C 2.2UF K	
C12			CK73GB1C104K	CHIP C 0.10UF K	
C14			CK73GB1C104K	CHIP C 0.10UF K	
C15			CD04AB1C220M	ELECTRO 22UF 16WV	
C101,102			CK73GB1H103K	CHIP C 0.010UF K	
C202			CC73GCH1H180J	CHIP C 18PF J	
C203			CC73GCH1H220J	CHIP C 22PF J	
C204			CK73GB1C104K	CHIP C 0.10UF K	
C205			CK73GB1H102K	CHIP C 1000PF K	
C301,302			CD04AB1HR47M	ELECTRO 0.47UF 50WV	
C306,307			CK73GB1C104K	CHIP C 0.10UF K	
C308			CD04AB0J470M	ELECTRO 47UF 6.3WV	
C310,311			CK73GB1H102K	CHIP C 1000PF K	
C401			CD04AB1C470M	ELECTRO 47UF 16WV	
C403			CD04AB1H010M	ELECTRO 1.0UF 50WV	
C405			CK73GB1C104K	CHIP C 0.10UF K	KM1
C509,510			CK73GB1C104K	CHIP C 0.10UF K	
C601,602			CK73GB1C104K	CHIP C 0.10UF K	KM1
C603			CD04ACQJ470M	ELECTRO 47UF 6.3WV	KM1
C701,702			CD04AB1V100M	ELECTRO 10UF 35WV	
C705,706			CD04AB1V100M	ELECTRO 10UF 35WV	KM1
C805			CD04AB1C470M	ELECTRO 47UF 16WV	
C807			CK73GB1A105K	CHIP C 1.0UF K	
C809			CK73GB1A105K	CHIP C 1.0UF K	

Ref. No.	Add	New	Parts No.	Description	Destination
C811			CK73GB1A474K	CHIP C 0.47UF K	
C812			CK73GB1A224K	CHIP C 0.22UF K	
C813			CK73GB1A474K	CHIP C 0.47UF K	
C814			CK73GB1A224K	CHIP C 0.22UF K	
C815			CK73GB1A474K	CHIP C 0.47UF K	
C816			CK73GB1A224K	CHIP C 0.22UF K	
C817			CK73GB1A474K	CHIP C 0.47UF K	
C818			CK73GB1A224K	CHIP C 0.22UF K	
C819,820			CK73GB1A105K	CHIP C 1.0UF K	
C901,902			CD04AB1C101M	ELECTRO 100UF 16WV	
CN2			E41-1822-05	FLAT CABLE CONNECTOR	
CN4			E40-6526-05	PIN ASSY	KM1
J1			E58-0991-05	RECTANGULAR RECEPTACLE	
J2			E04-0332-05	RF COAXIAL CABLE RECEPTACLE	
J3			E58-1060-05	RECTANGULAR RECEPTACLE	
J4			E56-0855-05	CYLINDRICAL RECEPTACLE	KM1
J5			E63-0941-05	PIN JACK	
L1			L33-2319-05	CHOKE COIL ASSY	
L401			L40-4791-58	SMALL FIXED INDUCTOR	
X1			L78-1218-05	RESONATOR	
X2			L77-2920-05	CRYSTAL RESONATOR	
F	2D		N80-3010-48	PAN HEAD TAPTITE SCREW	
G	2D		N83-3005-48	PAN HEAD TAPTITE SCREW	
H	2D		N83-3020-48	PAN HEAD TAPTITE SCREW	
J	3D		N86-2606-48	BINDING HEAD TAPTITE SCREW	
R1			RD14BB2C102J	RD 1.0K J 1/6W	
R2-5			RD14BB2C103J	RD 10K J 1/6W	
R11			RD14DB2H100J	SMALL-RD 10 J 1/2W	
R12-14			RK73PB2H100J	CHIP R 10 J 1/2W	
R15			RD14DB2H100J	SMALL-RD 10 J 1/2W	
R16			RK73FB2B681J	CHIP R 680 J 1/8W	
R17			RK73GB2A272J	CHIP R 2.7K J 1/10W	
R101			RD14BB2C472J	RD 4.7K J 1/6W	KK1K2
R101,102			RD14BB2C472J	RD 4.7K J 1/6W	M1M2M3
R101,102			RD14BB2C472J	RD 4.7K J 1/6W	M4M5
R103			RD14BB2C103J	RD 10K J 1/6W	
R104			RK73GB2A473J	CHIP R 47K J 1/10W	
R105			RK73GB2A104J	CHIP R 100K J 1/10W	
R106			RD14BB2C332J	RD 3.3K J 1/6W	
R107			RD14BB2C333J	RD 33K J 1/6W	
R108			RK73GB2A103J	CHIP R 10K J 1/10W	
R109			RD14BB2C223J	RD 22K J 1/6W	
R110			RK73FB2B683J	CHIP R 68K J 1/8W	
R111			RK73GB2A393J	CHIP R 39K J 1/10W	
R112			RD14BB2C203J	RD 20K J 1/6W	
R113			RK73GB2A104J	CHIP R 100K J 1/10W	
R114,115			RK73GB2A103J	CHIP R 10K J 1/10W	
R116,117			RD14BB2C103J	RD 10K J 1/6W	
R201			RK73GB2A473J	CHIP R 47K J 1/10W	KM1
R202			RK73GB2A104J	CHIP R 100K J 1/10W	KM1
R203,204			RK73GB2A103J	CHIP R 10K J 1/10W	
R205-207			RK73GB2A473J	CHIP R 47K J 1/10W	
R208			RD14BB2C473J	RD 47K J 1/6W	
R209,210			RD14BB2C471J	RD 470 J 1/6W	

K : KDS-MP238 K1 : KDC-MP238CR K2 : KDC-MP208
M1 : KDC-MP439 M2 : KDC-MP239 M3 : KDC-MP3039 M4 : KDC-MP339 M5 : KDC-MP339S

△ Indicates safety critical components.

PARTS LIST

ELECTRIC UNIT (X34-564x-xx)

Ref. No.	Add	New	Parts No.	Description	Destination	Ref. No.	Add	New	Parts No.	Description	Destination
R218			RK73GB2A223J	CHIP R 22K J 1/10W		R504			RK73GB2A472J	CHIP R 4.7K J 1/10W	
R219,220			RD14BB2C104J	RD 100K J 1/6W	KM1	R598			RK73GB2A223J	CHIP R 22K J 1/10W	
R223			RK73GB2A222J	CHIP R 2.2K J 1/10W		R599			RK73GB2A102J	CHIP R 1.0K J 1/10W	
R225			RK73GB2A473J	CHIP R 47K J 1/10W	M1M2M3	R601,602			RD14BB2C100J	RD 10 J 1/6W	KM1
R225			RK73GB2A473J	CHIP R 47K J 1/10W	M4M5	R603			RD14BB2C4R7J	RD 4.7 J 1/6W	KM1
R226			RK73GB2A223J	CHIP R 22K J 1/10W	M1M2M3	R604			RK73GB2A102J	CHIP R 1.0K J 1/10W	KM1
R226			RK73GB2A223J	CHIP R 22K J 1/10W	M4M5	R605			RD14BB2C101J	RD 100 J 1/6W	KM1
R226			RK73GB2A473J	CHIP R 47K J 1/10W	KK1	R606,607			RD14BB2C102J	RD 1.0K J 1/6W	KM1
R226,227			RK73GB2A473J	CHIP R 47K J 1/10W	K2	R608,609			RD14BB2C101J	RD 100 J 1/6W	KM1
R228			RK73GB2A223J	CHIP R 22K J 1/10W	K2	R610			RD14BB2C472J	RD 4.7K J 1/6W	KM1
R228			RK73GB2A473J	CHIP R 47K J 1/10W	K1M2M3	R611			RD14BB2C101J	RD 100 J 1/6W	KM1
R228			RK73GB2A473J	CHIP R 47K J 1/10W	M4M5	R612			RD14BB2C472J	RD 4.7K J 1/6W	KM1
R229			RK73GB2A104J	CHIP R 100K J 1/10W	KM1	R701,702			RK73GB2A331J	CHIP R 330 J 1/10W	
R301			RK73GB2A222J	CHIP R 2.2K J 1/10W		R703,704			RD14BB2C223J	RD 22K J 1/6W	
R302			RD14BB2C101J	RD 100 J 1/6W		R705,706			RD14BB2C181J	RD 180 J 1/6W	
R303			RK73GB2A102J	CHIP R 1.0K J 1/10W		R707,708			RK73GB2A331J	CHIP R 330 J 1/10W	KM1
R304			RD14BB2C102J	RD 1.0K J 1/6W		R709,710			RD14BB2C223J	RD 22K J 1/6W	KM1
R305			RK73GB2A102J	CHIP R 1.0K J 1/10W		R711,712			RD14BB2C181J	RD 180 J 1/6W	KM1
R306			RK73GB2A472J	CHIP R 4.7K J 1/10W		R793			RK73EB2E000J	CHIP R 0.0 J 1/4W	
R307			RK73GB2A222J	CHIP R 2.2K J 1/10W		R801			RK73GB2A102J	CHIP R 1.0K J 1/10W	
R310-313			RK73GB2A102J	CHIP R 1.0K J 1/10W		R802			RK73GB2A333J	CHIP R 33K J 1/10W	
R314			RK73GB2A104J	CHIP R 100K J 1/10W		R803			RK73GB2A473J	CHIP R 47K J 1/10W	
R315			RK73GB2A472J	CHIP R 4.7K J 1/10W		R804			RK73GB2A221J	CHIP R 220 J 1/10W	
R316,317			RK73GB2A222J	CHIP R 2.2K J 1/10W		R805			RK73GB2A223J	CHIP R 22K J 1/10W	
R318			RK73GB2A472J	CHIP R 4.7K J 1/10W		R806			RK73GB2A183J	CHIP R 18K J 1/10W	
R319			RK73GB2A222J	CHIP R 2.2K J 1/10W		R808			RK73GB2A100J	CHIP R 10 J 1/10W	
R320			RK73GB2A472J	CHIP R 4.7K J 1/10W		R891			RK73EB2E000J	CHIP R 0.0 J 1/4W	
R321			RK73GB2A473J	CHIP R 47K J 1/10W		R901,902			RK73GB2A334J	CHIP R 330K J 1/10W	
R322			RK73GB2A471J	CHIP R 470 J 1/10W		R903			RK73GB2A153J	CHIP R 15K J 1/10W	
R330			RD14BB2C101J	RD 100 J 1/6W		R904			RK73GB2A223J	CHIP R 22K J 1/10W	
R331			RK73GB2A392J	CHIP R 3.9K J 1/10W		R905,906			RK73GB2A104J	CHIP R 100K J 1/10W	
R332			RD14BB2C101J	RD 100 J 1/6W		R907-914			RD14BB2C104J	RD 100K J 1/6W	
R333,334			RD14BB2C102J	RD 1.0K J 1/6W		R915			RK73GB2A104J	CHIP R 100K J 1/10W	
R335			RK73GB2A473J	CHIP R 47K J 1/10W		R952			RK73GB2A000J	CHIP R 0.0 J 1/10W	
R336-339			RD14BB2C222J	RD 2.2K J 1/6W		R958			RK73GB2A000J	CHIP R 0.0 J 1/10W	
R340			RK73GB2A225J	CHIP R 2.2M J 1/10W		R962			RK73GB2A000J	CHIP R 0.0 J 1/10W	
R341			RD14BB2C222J	RD 2.2K J 1/6W		R971			RK73GB2A000J	CHIP R 0.0 J 1/10W	
R342			RK73GB2A392J	CHIP R 3.9K J 1/10W		D1			S2V60-5009F46	DIODE	
R343			RD14BB2C102J	RD 1.0K J 1/6W		D2			MTZJ8.2 (B)	ZENER DIODE	
R344,345			RD14BB2C4R7J	RD 4.7 J 1/6W		D3			D1F60-5063	DIODE	
R346			RD14BB2C2R2J	RD 2.2 J 1/6W		D4			1SS133	DIODE	M1M2M3
R347			RK73GB2A102J	CHIP R 1.0K J 1/10W		D4			1SS133	DIODE	M4M5
R348,349			RK73GB2A103J	CHIP R 10K J 1/10W		D7			MTZJ12 (B)	ZENER DIODE	
R402,403			RD14BB2C471J	RD 470 J 1/6W		D101,102			D1F60-5063	DIODE	
R404			RK73GB2A102J	CHIP R 1.0K J 1/10W	KM1	D103			1SR139-400T64	DIODE	M1M2M3
R405			RK73GB2A473J	CHIP R 47K J 1/10W	KM1	D103			1SR139-400T64	DIODE	M4M5
R406			RK73GB2A223J	CHIP R 22K J 1/10W		D104			D1F60-5063	DIODE	M1M2M3
R407			RK73GB2A103J	CHIP R 10K J 1/10W		D104			D1F60-5063	DIODE	M4M5
R408			RK73GB2A152J	CHIP R 1.5K J 1/10W		D104			D1F60-5063	DIODE	
R409			RK73GB2A392J	CHIP R 3.9K J 1/10W		D105			MTZJ4.7 (B)	ZENER DIODE	
R491,492			RK73GB2A100J	CHIP R 10 J 1/10W	K1K2M2	D106-108			MTZJ6.8 (B)	ZENER DIODE	
R491,492			RK73GB2A100J	CHIP R 10 J 1/10W	M3M4M5	D109			1SS133	DIODE	
R493			RD14BB2C100J	RD 10 J 1/6W	K1K2M2	D110			BAV70W	DIODE	
R493			RD14BB2C100J	RD 10 J 1/6W	M3M4M5	D304-306			MTZJ6.8 (B)	ZENER DIODE	
R502			RK73GB2A472J	CHIP R 4.7K J 1/10W		D401			1SS133	DIODE	

K : KDS-MP238 K1 : KDC-MP238CR K2 : KDC-MP208
M1 : KDC-MP439 M2 : KDC-MP239 M3 : KDC-MP3039 M4 : KDC-MP339 M5 : KDC-MP339S

△ Indicates safety critical components.

PARTS LIST

ELECTRIC UNIT (X34-564x-xx)

Ref. No.	A d d	N e w	Parts No.	Description	Desti- nation
D404			1SS133	DIODE	
D601-606			MTZJ6.8 (B)	ZENER DIODE	KM1
D801-803			1SS133	DIODE	
D901			MTZJ4.7 (B)	ZENER DIODE	
IC1		*	30622MEPB44FP	MICROCONTROLLER IC	K1K2M2
IC1		*	30622MEPB44FP	MICROCONTROLLER IC	M3M4M5
IC1		*	30622MGPB45FP	MICROCONTROLLER IC	KM1
IC2			E-TDA7419	ANALOGUE IC	
IC4			BD4913-V4	ANALOGUE IC	
IC6			KKZ10Z	ANALOGUE IC	
IC8			S-80836CNNB-J	MOS-IC	
IC9			HEF4053BT	MOS-IC	KM1
Q2			KTA1046-P	TRANSISTOR	
Q3			2SC4081	TRANSISTOR	
Q7			UMC2N	TRANSISTOR	
Q8			KTA1046-P	TRANSISTOR	
Q9			2SC4081	TRANSISTOR	
Q11			RT1N241M	TRANSISTOR	
Q12			RT1P241M	TRANSISTOR	
Q13			RT1N241M	TRANSISTOR	M1M2M3
Q13			RT1N241M	TRANSISTOR	M4M5
Q14			RT1P241M	TRANSISTOR	M1M2M3
Q14			RT1P241M	TRANSISTOR	M4M5
Q101-103			2SC4081	TRANSISTOR	
Q104,105			RT1N441M	TRANSISTOR	
Q301			RT1P144M	TRANSISTOR	
Q401			RT1N441M	TRANSISTOR	KM1
Q402			2SC4081	TRANSISTOR	
Q701-704			RT1N430M	TRANSISTOR	KM1
Q701,702			RT1N430M	TRANSISTOR	K1K2M2
Q701,702			RT1N430M	TRANSISTOR	M3M4M5
Q705			RT1P241M	TRANSISTOR	
Q801			RT1N144M	TRANSISTOR	
Q901			2SC4081	TRANSISTOR	
Q902,903			2SA1576A	TRANSISTOR	
TH1			PRF18BE471QS2	POSITIVE RESISTOR	
A1	2D	*	X86-4030-14	FRONT-END UNIT	

MECHANISM ASSY (X92-5880-06) DXM-6E06W

1	2B		A10-5328-31	CHASSIS	
2	1B		A10-5329-11	CHASSIS	
5	2B		D10-4910-13	ARM ASSY	
8	2A		D10-4911-23	LEVER ASSY	
10	2A		D10-4906-33	ARM	
11	2A		D10-4907-33	ARM	
12	3A		D10-4908-03	ARM	
13	3A		D10-4909-03	ARM	
14	3B		D10-4915-03	ARM	
15	2A		D10-4916-23	SLIDER	
16	3B		D10-4914-12	SLIDER	
17	2B		D10-4588-13	SLIDER	
18	2B		D10-4917-04	ARM	
19	2B		D10-4596-24	ARM	
22	2A		D13-2151-04	GEAR	

Ref. No.	A d d	N e w	Parts No.	Description	Desti- nation
23	2B		D13-2152-04	GEAR	
24	3B		D13-2153-04	GEAR	
25	3B		D13-2154-04	GEAR	
26	3B		D13-2155-04	WORM	
27	2B		D13-2156-14	GEAR	
28	3B		D13-2157-04	GEAR	
29	2B		D13-2158-04	GEAR	
30	2B		D13-2168-04	GEAR	
31	3B		D13-2171-04	GEAR	
32	1B		D13-2400-13	RACK (GEAR)	
33	2A		D14-0759-04	ROLLER	
35	2B		D21-2382-04	SHAFT	
36	1A		D23-0954-04	RETAINER	
37	1B		D39-0246-05	DAMPER	
38	2B		G01-3072-04	EXTENSION SPRING	
39	2A		G01-3073-04	TORSION COIL SPRING	
40	2A		G01-3074-04	EXTENSION SPRING	
41	1B		G01-4615-04	EXTENSION SPRING	
42	2A		G01-3076-04	EXTENSION SPRING	
43	1B		G01-3077-14	EXTENSION SPRING	
44	2B	*	G02-1399-14	FLAT SPRING	
45	2B	*	G02-1547-14	FLAT SPRING	
51	1A		J22-0473-21	MOUNTING HARDWARE	
52	3B		J22-0474-12	MOUNTING HARDWARE	
53	1B	*	J22-0519-13	MOUNTING HARDWARE	
55	1A		J90-1138-41	GUIDE	
56	1B		J90-1023-03	GUIDE	
DPC1	3A		J86-0039-05	FPC (LEAD FREE)	
A	2B		N09-4460-15	TAPTITE SCREW (PT2X8)	
B	1B		N09-6317-05	TAPTITE SCREW (1.6X6.0)	
C	2B		N09-6004-15	MACHINE SCREW (M1.7X2.5)	
E	2B		N09-6007-15	MACHINE SCREW (M2X2)	
F	1A		N09-6051-15	TAPTITE SCREW (PT2X5)	
G	2A		N19-2163-04	FLAT WASHER (1.6X6X0.25)	
H	1B		N39-2020-48	PAN HEAD MACHINE SCREW (M2X2)	
J	1B		N09-6108-15	TAPTITE SCREW (M2X3.5)	
K	3B		N09-6155-15	SEMS (TAPTITE SCREW) (PT2X6)	
DM1	3B		T42-1066-14	DC MOTOR (SPINDLE)	
DM2	2B		T42-1067-14	DC MOTOR (LOADING/SLED)	
DPU1	2B		X93-2130-01	OPTICAL PICKUP ASSY	