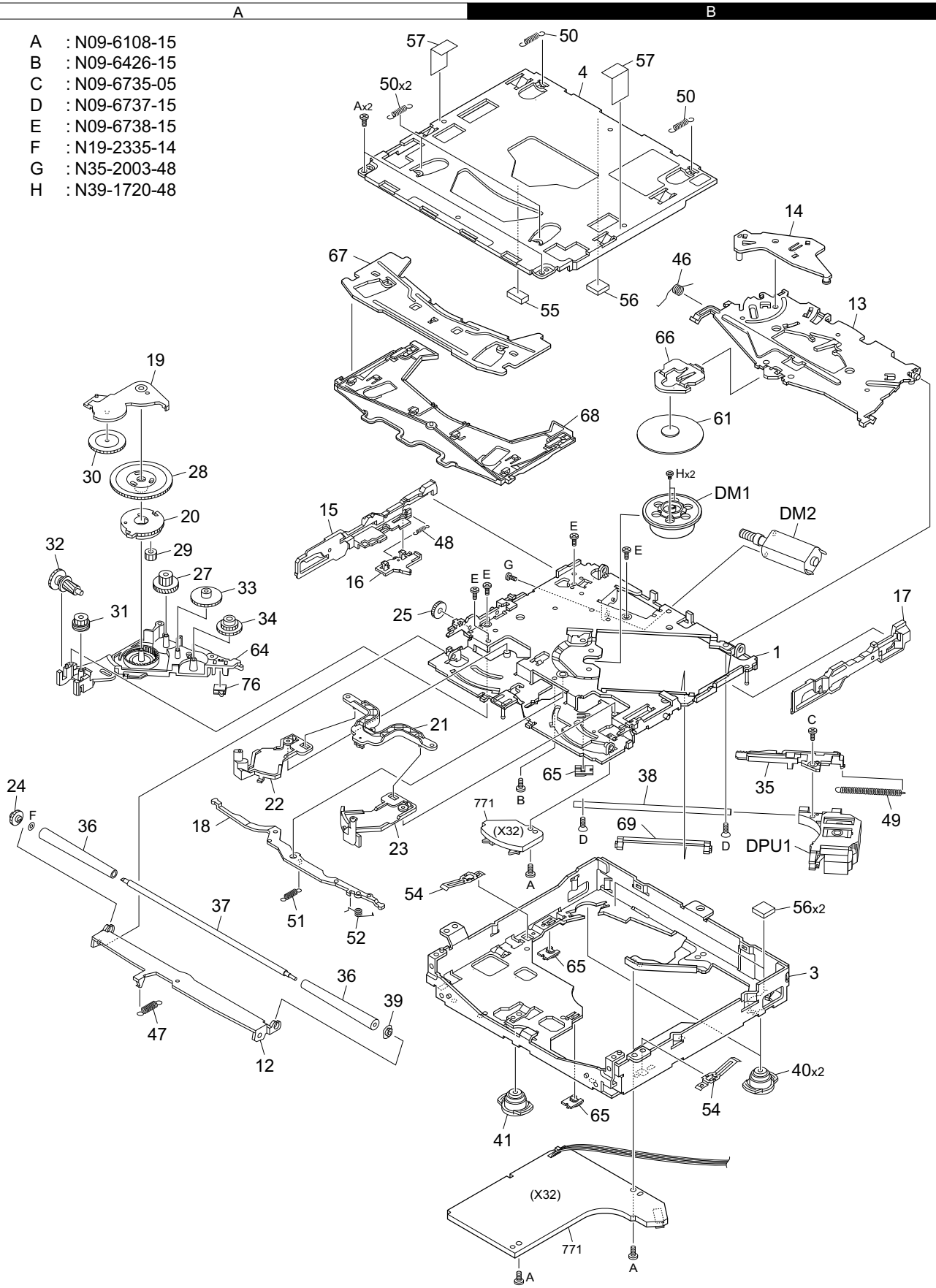


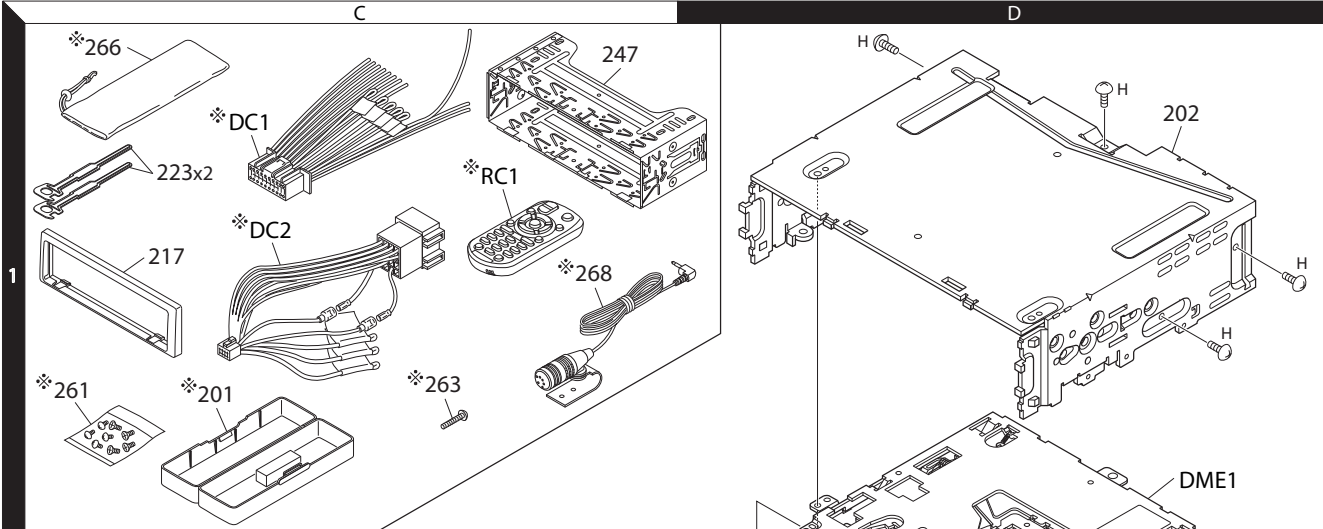
- A : N09-6108-15
- B : N09-6426-15
- C : N09-6735-05
- D : N09-6737-15
- E : N09-6738-15
- F : N19-2335-14
- G : N35-2003-48
- H : N39-1720-48



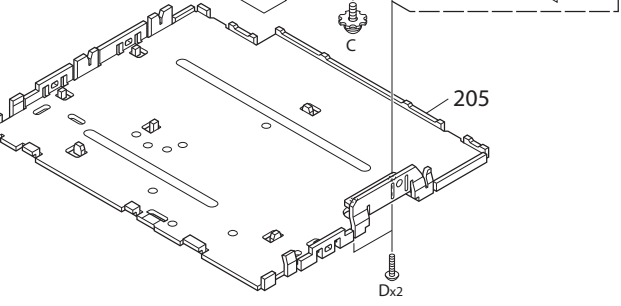
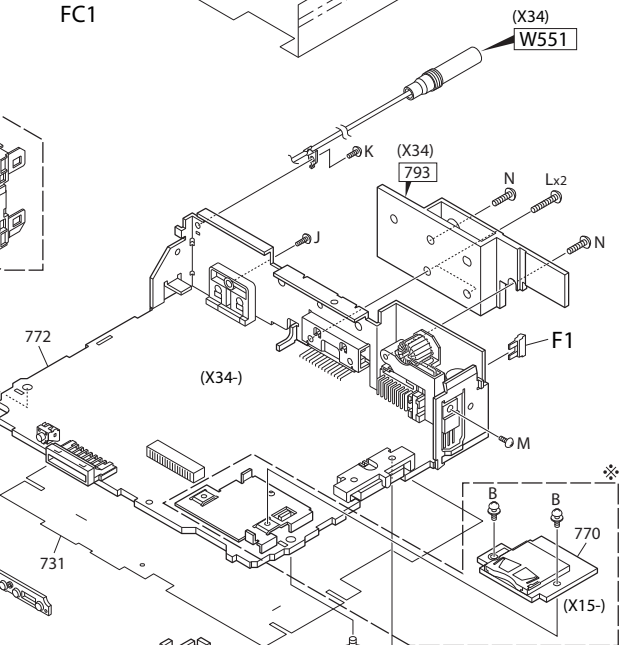
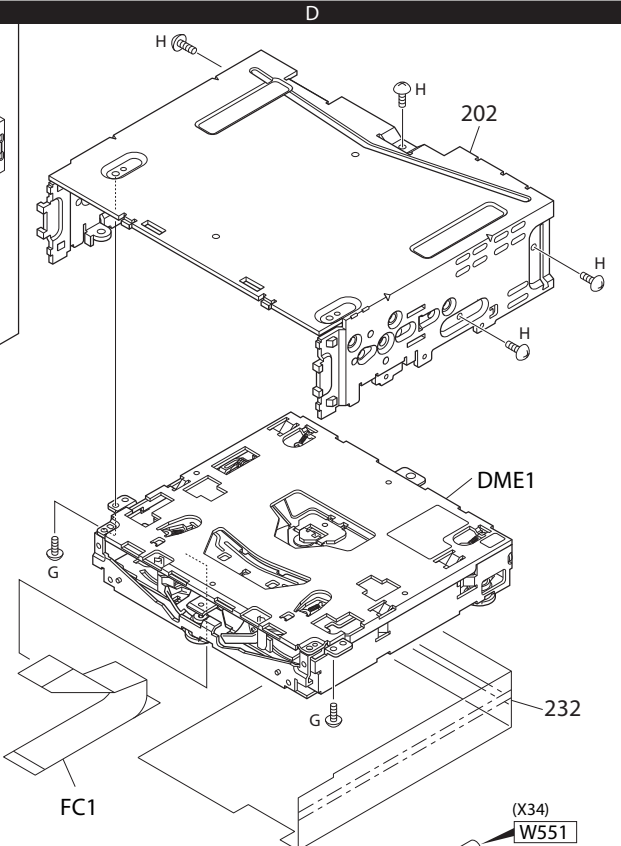
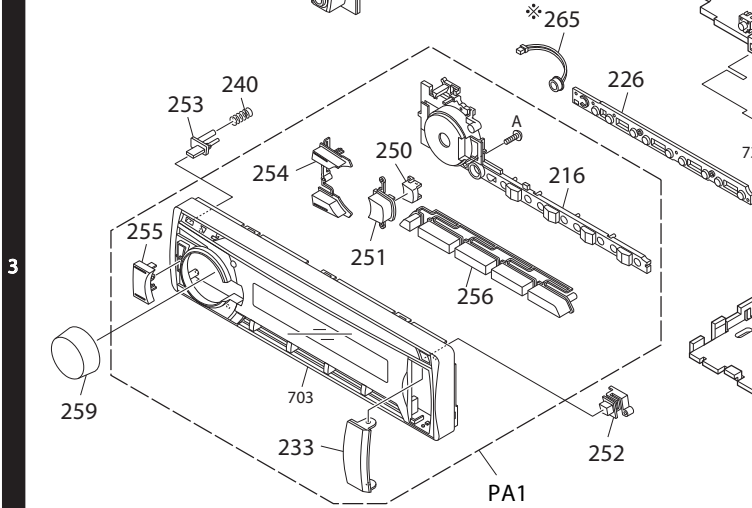
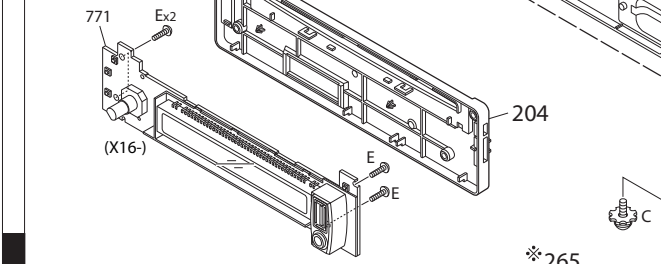
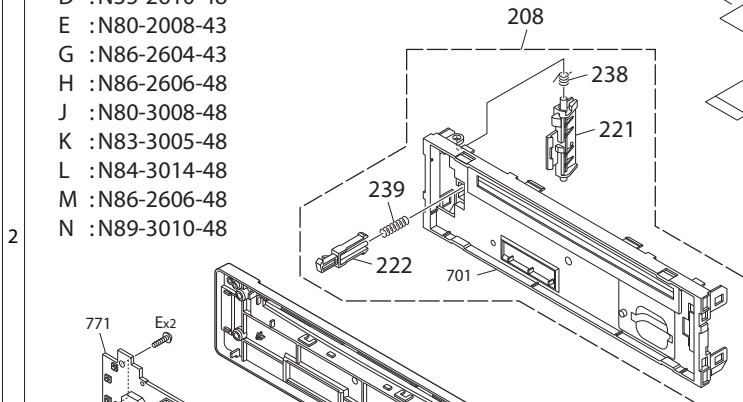
1

2

3



- A : N80-2006-48
- B : N09-6358-05
- C : N09-6758-05
- D : N35-2610-48
- E : N80-2008-43
- G : N86-2604-43
- H : N86-2606-48
- J : N80-3008-48
- K : N83-3005-48
- L : N84-3014-48
- M : N86-2606-48
- N : N89-3010-48



\*Depends on the models. Refer to the parts list.

Parts with the exploded numbers larger than 700 are not supplied.

# PARTS LIST

\* New parts

Parts without **Parts No.** are not supplied.

Les articles non mentionnes dans le **Parts No.** ne sont pas fournis.

Teile ohne **Parts No.** werden nicht geliefert.

Ref.No.	A d d w	N e w	Parts No.	Description	Dest inati on	Ref.No.	A d d w	N e w	Parts No.	Description	Dest inati on
<b>KDC-348U/4751SD/BT41U/BT648U/U4549/U4549SD/U549BT/X395/X695</b>											
201	1C		A02-2757-13	PLASTIC CABINET ASSY	M3M1M2			*	H54-5024-03	ITEM CARTON CASE	K2
202	1D	*	A52-1156-01	TOP COVER				*	H54-5025-03	ITEM CARTON CASE	K3
204	2C	*	A46-1918-01	REAR COVER				*	H54-5026-03	ITEM CARTON CASE	M3
205	3D	*	A40-1410-01	BOTTOM PLATE				*	H54-5027-03	ITEM CARTON CASE	K
208	2C	*	A22-3297-03	SUB PANEL ASSY	KK1E1			*	H54-5028-03	ITEM CARTON CASE	K1
208	2C	*	A22-3297-03	SUB PANEL ASSY	K2K3M3			*	H54-5029-03	ITEM CARTON CASE	E1
208	2C	*	A22-3297-03	SUB PANEL ASSY	M1			*	H54-5031-03	ITEM CARTON CASE	M1
208	2C	*	A22-3298-13	SUB PANEL ASSY	E3M2			*	H54-5032-03	ITEM CARTON CASE	E3
PA1	3C	*	A64-5235-12	PANEL ASSY	K2	247	1C	*	J22-2049-03	MOUNTING HARDWARE ASSY	
PA1	3C	*	A64-5236-02	PANEL ASSY	K3						
PA1	3C	*	A64-5237-12	PANEL ASSY	M3	250	3C		GE34053-001A	ACCENT BUTTON BASE	
PA1	3C	*	A64-5240-02	PANEL ASSY	K	251	3C		GE34052-001A	ACCENT BUTTON TOP (iPod)	K2K3M
PA1	3C	*	A64-5241-12	PANEL ASSY	K1	251	3C	*	K28-0453-03	ACCENT BUTTON TOP (TEL)	KK1E1
PA1	3C	*	A64-5242-12	PANEL ASSY	E1	251	3C	*	K28-0453-03	ACCENT BUTTON TOP (TEL)	M1
PA1	3C	*	A64-5244-12	PANEL ASSY	M1	251	3C	*	K28-0454-03	ACCENT BUTTON TOP (SD)	E3M2
PA1	3C	*	A64-5245-02	PANEL ASSY	E3	252	3C		GE34059-001A	EJECT BUTTON	
PA1	3C	*	A64-5246-12	PANEL ASSY	M2	253	3C		GE34060-001A	DETACH BUTTON	
RC1	1C		A70-2104-05	REMOTE CONTROLLER ASSY (RC-405)	KK1M1	254	3C		GE34061-001A	SRC BUTTON	
RC1	1C		A70-2104-05	REMOTE CONTROLLER ASSY (RC-405)	K2K3M3	255	3C		GE34063-001A	SEARCH BUTTON	
RC1	1C		A70-2104-05	REMOTE CONTROLLER ASSY (RC-405)	M2	256	3C		GE34064-001A	PRESET BUTTON	
-		*	B64-4798-10	INST. MANUAL (ENG.FRE.SPA.)	K1	259	3C		GE40511-001A	VOL KNOB RUBBER	K1E1M
-		*	B64-4798-10	INST. MANUAL (ENG.FRE.SPA.)	K2K3K	259	3C		GE40511-001A	VOL KNOB RUBBER	K2K3K
-		*	B64-4799-10	INST. MANUAL (ENGLISH)	E1E3	259	3C		GE40511-001A	VOL KNOB RUBBER	M2
-		*	B64-4800-10	INST. MANUAL (FRE.GER.DUT.)	E1E3	259	3C		GE40511-002A	VOL KNOB RUBBER	M3E3
-		*	B64-4801-10	INST. MANUAL (ITA.SPA.POR.)	E1E3	261	1C		N99-1757-15	SCREW SET	KK1M1
-		*	B64-4802-10	INST. MANUAL (RUS.URK.)	E1E3	261	1C		N99-1757-15	SCREW SET	K2K3M
-		*	B64-4803-10	INST. MANUAL (ENG.ARA.)	M3M1M2	261	1C		N99-1757-15	SCREW SET	M2
-		*	B64-4804-10	INST. MANUAL (S-CHINESE)	M1	263	1C		N80-2008-48	TAP SCREW (ACCESSORY)	KK1M1
216	3C		GE10289-001A	LIGHT GUIDE		263	1C		N80-2008-48	TAP SCREW (ACCESSORY)	K2K3M
217	1C	*	B07-3361-02	TRIM PLATE	K2K1E1	263	1C		N80-2008-48	TAP SCREW (ACCESSORY)	M2
217	1C	*	B07-3361-02	TRIM PLATE	M1	A	3C		N80-2006-48	TAP SCREW	
217	1C		GE20274-001A	TRIM PLATE	E3M2	B	3D		N09-6358-05	TAPTITE SCREW	E3M2
217	1C		GE20274-001A	TRIM PLATE	K3M3K	C	2C		N09-6758-05	TAPTITE SCREW	
221	2C		GE34045-001A	LOCK LEVER		D	3D		N35-2610-48	BINDING HEAD MACHINE SCREW	
222	2C		GE34046-001A	RELEASE LEVER		E	2C		N80-2008-43	PAN HEAD TAPTITE SCREW	
223	1C	*	D10-7139-04	LEVER		G	1D		N86-2604-43	BINDING HEAD TAPTITE SCREW	
226	3C		GE34058-001A	CONDUCTIVE RUBBER		H	1D		N86-2606-48	BINDING HEAD TAPTITE SCREW	
⚠ DC1	1C		E30-6933-05	DC CORD	KK1M1	265	3C		T91-1007-05	MICROPHONE ASSY	KE1M1
⚠ DC1	1C		E30-6933-05	DC CORD	K2K3M3	266	1C		W01-1664-05	CARRYING CASE	K2K1
⚠ DC1	1C		E30-6933-05	DC CORD	M2	266	1C		W01-1710-05	CARRYING CASE	E3
⚠ DC2	1C		E30-6934-05	DC CORD	E1E3	266	1C		W01-1710-05	CARRYING CASE	K3KE1
FC1	2D		E39-1077-05	FLAT CABLE		268	1C		W01-1768-15	MICROPHONE (3m)	K1
232	2D		F11-1874-03	SHIELDING COVER	KK1E1	DME1	1D	*	X92-6370-04	MECHANISM ASSY (DXM-9B24W)	
232	2D		F11-1874-03	SHIELDING COVER	K2K3M3	<b>SYNTHESIZER UNIT (X15-1552-70)</b>					
232	2D		F11-1874-03	SHIELDING COVER	M1	C1 -3			CC73HCH1H221J	CHIP C 220PF J	E3M2
232	2D	*	F11-1884-13	SHIELDING COVER	E3M2	CN1		*	E41-3250-05	PIN ASSY	E3M2
233	3C		GE34055-001A	USB DOOR COVER		J1			E68-0826-05	JACK	E3M2
⚠ F1	2D		F52-0023-05	FUSE (MINI BLADE TYPE) (10A)		<b>SWITCH UNIT (X16-707x-xx)</b>					
238	2C		GE40504-001A	SPRING (TORSION)		D51			B30-1566-05	LED (1608,RED)	
239	2C		GE40505-001A	SPRING (COMPRESSION)		D52 -55			B30-1788-05	LED (1608,WHITE)	M3M1
240	3C		GE40505-002A	SPRING (DETACH)		D52 -55			B30-3210-05	LED (1608,BLUE)	K1E1E

**K:** KDC-BT648U **K1:** KDC-X695 **K2:** KDC-X395 **K3:** KDC-348U

**M1:** KDC-U549BT **M2:** KDC-U4549SD **M3:** KDC-U4549 **E1:** KDC-BT41U **E3:** KDC-4751SD

⚠ indicates safety critical components.

# PARTS LIST

## SWITCH UNIT (X16-707x-xx)

Ref.No.	A d d w	N e w	Parts No.	Description	Dest inati on	Ref.No.	A d d w	N e w	Parts No.	Description	Dest inati on
D52 -55			B30-3210-05	LED (1608,BLUE)	K2K3K	IC2			KSM-2003TN5B	IR DETECT FOR REMOTO CONTROL	
D60 -64			B30-3210-05	LED (1608,BLUE)	M3M2	Q20			RT1N436M-T111	TRANSISTOR	
D60 -65			B30-1779-05	LED (1608,SR)	K3E3	Q21 -23			RT1P141M-T111	TRANSISTOR	
D60 -69			B30-1788-05	LED (1608,WHITE)	M1	<b>CD PLAYER UNIT (X32-6250-02) IN CD MECHA</b>					
D60 -69			B30-3210-05	LED (1608,BLUE)	E1	C1			CK73FB0J106K	CHIP C 10UF K	
D60 -69			B30-3210-05	LED (1608,BLUE)	K2KK1	C3			CC73GCH1H680J	CHIP C 68PF J	
D65 -69			B30-1788-05	LED (1608,WHITE)	M3M2	C4			CK73GB1A105K	CHIP C 1.0UF K	
D66 -69			B30-3210-05	LED (1608,BLUE)	K3E3	C6			CK73FB1C105K	CHIP C 1.0UF K	
C10			CK73HB1A104K	CHIP C 0.10UF K		C8			CK73GB1H222K	CHIP C 2200PF K	
C11			CK73GB1C104K	CHIP C 0.10UF K		C9 ,10			CK73GB1C104K	CHIP C 0.10UF K	
C12			CK73HB1A104K	CHIP C 0.10UF K		C11			CK73GB1H153K	CHIP C 0.015UF K	
C13			CK73GB1H102K	CHIP C 1000PF K		C12			CK73GB1C104K	CHIP C 0.10UF K	
C21			CK73HB0J105K	CHIP C 1.0UF K		C13			CK73GB1H332K	CHIP C 3300PF K	
C81 ,82			CC73GCH1H471J	CHIP C 470PF J		C14			CK73GB1H103K	CHIP C 0.010UF K	
C83			CK73GB1H472K	CHIP C 4700PF K		C15			CK73GB1C333K	CHIP C 0.033UF K	
C84			CK73GB1H102K	CHIP C 1000PF K		C16			CK73GB1C104K	CHIP C 0.10UF K	
C100			CK73GB1H102K	CHIP C 1000PF K		C18			CK73GB1H153K	CHIP C 0.015UF K	
CN1			E41-1486-05	PIN ASSY	KE1M1	C19			CK73GB1H103K	CHIP C 0.010UF K	
J1	*		E59-0864-05	RECTANGULAR PLUG		C20			CK73GB1C104K	CHIP C 0.10UF K	
J2			QNS0308-001	DIA 3.5 TYPE JACK		C22			CK73GB1H103K	CHIP C 0.010UF K	
J3			QNZ1057-001	USB CONNECTOR		C23			CK73GB1H153K	CHIP C 0.015UF K	
L2			L92-0639-05	CHIP FERRITE	K1E1E3	C24			CC73GCH1H470J	CHIP C 47PF J	
L2			L92-0639-05	CHIP FERRITE	K2K3K	C25			CK73GB1C104K	CHIP C 0.10UF K	
CP11			RK74GA1J101J	CHIP-COM 100 J 1/16W		C26			CK73GB1A105K	CHIP C 1.0UF K	
CP13			RK74HB1J101J	CHIP-COM 100 J 1/16W		C27			CK73GB1C104K	CHIP C 0.10UF K	
CP14			RK74HB1J473J	CHIP-COM 47K J 1/16W		C29 ,30			CK73GB1C104K	CHIP C 0.10UF K	
CP15			RK74HB1J101J	CHIP-COM 100 J 1/16W		C31			CK73GB1A105K	CHIP C 1.0UF K	
R10			RK73HB1J104J	CHIP R 100K J 1/16W		C36			CK73GB1A105K	CHIP C 1.0UF K	
R12			RK73HB1J223J	CHIP R 22K J 1/16W		C41 ,42			CK73GB1C104K	CHIP C 0.10UF K	
R13			RK73HB1J101J	CHIP R 100 J 1/16W		C43 ,44			CK73GB1H102K	CHIP C 1000PF K	
R15			RK73HB1J101J	CHIP R 100 J 1/16W		C45			CK73GB1H103K	CHIP C 0.010UF K	
R22			RK73HB1J101J	CHIP R 100 J 1/16W		C46			CK73GB1A105K	CHIP C 1.0UF K	
R30			RK73PB2H7R5J	CHIP R 7.5 J 1/2W		C47			CC73GCH1H560J	CHIP C 56PF J	
R51			RK73EB2E821J	CHIP R 820 J 1/4W		C48			CC73GCH1H101J	CHIP C 100PF J	
R52 ,53			RK73GB2A821J	CHIP R 820 J 1/10W		C49			CK73GB1A105K	CHIP C 1.0UF K	
R56 -58			RK73FB2B511J	CHIP R 510 J 1/8W	K1E1M1	C50			CK73FB1A225K	CHIP C 2.2UF K	
R56 -58			RK73FB2B511J	CHIP R 510 J 1/8W	K2M3K	C51			CK73FB0J106K	CHIP C 10UF K	
R56 -58			RK73FB2B511J	CHIP R 510 J 1/8W	M2	C54			CK73FB0J106K	CHIP C 10UF K	
R56 -58			RK73FB2B621J	CHIP R 620 J 1/8W	K3E3	C57			CK73GB1C104K	CHIP C 0.10UF K	
R59 ,60			RK73FB2B821J	CHIP R 820 J 1/8W		C59			CK73GB1H472K	CHIP C 4700PF K	
R81 ,82			RK73GB2A220J	CHIP R 22 J 1/10W		C61			CK73GB1C104K	CHIP C 0.10UF K	
R106			RK73GB2A000J	CHIP R 0.0 J 1/10W	M3M1M2	C101			CK73GB1A105K	CHIP C 1.0UF K	
S2 ,3			NSW0326-001X	TACT SWITCH		C103			CK73GB1C104K	CHIP C 0.10UF K	
S10 ,11			NSW0326-001X	TACT SWITCH		CN1			E41-2954-05	FLAT CABLE CONNECTOR	
S15 ,16			NSW0326-001X	TACT SWITCH		CN2			E41-2630-05	FLAT CABLE CONNECTOR	
S1			T99-0484-05	ROTARY ENCODER		X1			L78-1221-05	RESONATOR (16.93MHZ)	
D1			RKZ4.7KG(B2)	ZENER DIODE		CP7			RK74GB1J103J	CHIP-COM 10K J 1/16W	
D9 ,10			RKZ4.7KG(B2)	ZENER DIODE	KE1M1	R1			RK73GB2A560J	CHIP R 56 J 1/10W	
D79			DA204U	DIODE		R2			RK73GB2A472J	CHIP R 4.7K J 1/10W	
D81			HZM6.8ZMWA-E	ZENER DIODE		R3			RK73GB2A4R7J	CHIP R 4.7 J 1/10W	
D82			DA204U	DIODE		R4			RK73GB2A104J	CHIP R 100K J 1/10W	
ED1			QLF0202-001	FLUORESCENT INDICATOR TUBE		R5			RK73GB2A225J	CHIP R 2.2M J 1/10W	
						R6			RK73GB2A102J	CHIP R 1.0K J 1/10W	

K: KDC-BT648U K1: KDC-X695 K2: KDC-X395 K3: KDC-348U

M1: KDC-U549BT M2: KDC-U4549SD M3: KDC-U4549 E1: KDC-BT41U E3: KDC-4751SD

▲ indicates safety critical components.

# PARTS LIST

## CD PLAYER UNIT (X32-6250-02) IN CD MECHA

Ref.No.	A d d w	N e w	Parts No.	Description	Dest inati on	Ref.No.	A d d w	N e w	Parts No.	Description	Dest inati on
R7			RK73GB2A221J	CHIP R 220 J 1/10W		C91			CD04AV1V100M	ELECTRO 10UF 35WV	K2K1
R8			RK73GB2A622J	CHIP R 6.2K J 1/10W		C92 ,93			CK73GB1H102K	CHIP C 1000PF K	K2K1
R9			RK73GB2A913J	CHIP R 91K J 1/10W		C94			CD04AV1V100M	ELECTRO 10UF 35WV	K2K1
R10			RK73GB2A334J	CHIP R 330K J 1/10W		C101			CK73HB1E103K	CHIP C 0.010UF K	
R11			RK73GB2A153J	CHIP R 15K J 1/10W		C102			CK73GB1H104K	CHIP C 0.10UF K	
R13			RK73GB2A104J	CHIP R 100K J 1/10W		C201			CK73GB1C104K	CHIP C 0.10UF K	
R14			RK73GB2A103J	CHIP R 10K J 1/10W		C202,203			CC73HCH1H220J	CHIP C 22PF J	
R15			RK73GB2A101J	CHIP R 100 J 1/10W		C204			CK73GB1C104K	CHIP C 0.10UF K	
R17 ,18			RK73GB2A103J	CHIP R 10K J 1/10W		C205			CK73GB1H102K	CHIP C 1000PF K	
R25			RK73GB2A103J	CHIP R 10K J 1/10W		C210-212			CK73HB1A104K	CHIP C 0.10UF K	
R27			RK73EB2E4R7J	CHIP R 4.7 J 1/4W		C213			CK73GB1C104K	CHIP C 0.10UF K	
R39			RK73GB2A105J	CHIP R 1.0M J 1/10W		C214-216			CK73HB1A104K	CHIP C 0.10UF K	
R40			RK73GB2A681J	CHIP R 680 J 1/10W		C217,218			CC73HCH1H080D	CHIP C 8.0PF D	
R43 ,44			RK73GB2A4R7J	CHIP R 4.7 J 1/10W		C261			CK73HB1A104K	CHIP C 0.10UF K	
R49			RK73GB2A393J	CHIP R 39K J 1/10W		C301,302			CD04AV1HR47M	ELECTRO 0.47UF 50WV	
R50			RK73GB2A363J	CHIP R 36K J 1/10W		C303,304			CK73GB1C104K	CHIP C 0.10UF K	
R51			RK73GB2A102J	CHIP R 1.0K J 1/10W		C305,306			CK73GB1H102K	CHIP C 1000PF K	
R52 -58			RK73GB2A101J	CHIP R 100 J 1/10W		C307			CD04AV0J470M	ELECTRO 47UF 6.3WV	
R59			RK73GB2A204J	CHIP R 200K J 1/10W		C308			CK73GB1H103K	CHIP C 0.010UF K	
R64			RK73GB2A223J	CHIP R 22K J 1/10W		C311			CC73GCH1H040C	CHIP C 4.0PF C	
R65			RK73GB2A333J	CHIP R 33K J 1/10W		C401			CK73GB1A105K	CHIP C 1.0UF K	
R69 -73			RK73GB2A101J	CHIP R 100 J 1/10W		C402			CK73GB1A474K	CHIP C 0.47UF K	
R74 ,75			RK73GB2A103J	CHIP R 10K J 1/10W		C403			CK73GB1A105K	CHIP C 1.0UF K	
R76			RK73GB2A202J	CHIP R 2.0K J 1/10W		C404			CK73GB1A474K	CHIP C 0.47UF K	
R102			RK73GB2A102J	CHIP R 1.0K J 1/10W		C405-409			CK73GB1A105K	CHIP C 1.0UF K	
S1 ,2			S68-0924-05	PUSH SWITCH		C410	*		CD04AV1H2R2M	ELECTRO 2.2UF 50WV	
D2			DAP202U	DIODE		C411			CD04AV1V100M	ELECTRO 10UF 35WV	E1E3M
D3 ,4			DA204U	DIODE		C411			CD04AV1V100M	ELECTRO 10UF 35WV	K3M3K
IC3			BD8222EFV	ANALOGUE IC		C411			CD04AV1V100M	ELECTRO 10UF 35WV	M2
IC4			JCV8023	MOS-IC		C411,412			CD04AV1C470M	ELECTRO 47UF 16WV	K2K1
IC5			XC6415S001P1	MOS-IC		C412			CD04AV1C470M	ELECTRO 47UF 16WV	E1E3M
Q1			2SA2188-T1(E)	TRANSISTOR		C412			CD04AV1C470M	ELECTRO 47UF 16WV	K3M3K
Q14			RUE003N02	FET		C412			CD04AV1C470M	ELECTRO 47UF 16WV	M2
<b>ELECTRIC UNIT (X34-696x-xx)</b>											
C1			C90-6906-05	ELECTRO 3300UF 16WV		C501			CK73GB1H102K	CHIP C 1000PF K	
C4			CK73GB1C104K	CHIP C 0.10UF K		C502			CK73GB1A105K	CHIP C 1.0UF K	
C6			CK73GB1H104K	CHIP C 0.10UF K		C505			CK73GB1C224K	CHIP C 0.22UF K	
C6			CK73GB1H104K	CHIP C 0.10UF K	K1E1E3	C506			CK73GB1C104K	CHIP C 0.10UF K	
C6 ,7			CK73GB1H104K	CHIP C 0.10UF K	M3M1M2	C507			CC73GCH1H090D	CHIP C 9.0PF D	
C8			CD04BN1C221M	ELECTRO 220UF 16WV		C509-511			CK73GB1A105K	CHIP C 1.0UF K	
C9			CD04AV0J101M	ELECTRO 100UF 6.3WV		C512-514			CK73GB1H103K	CHIP C 0.010UF K	
C11 -13			CK73GB1C104K	CHIP C 0.10UF K		C515			CK73GB1C104K	CHIP C 0.10UF K	
C15			CK73GB1C224K	CHIP C 0.22UF K		C516			CK73GB1H103K	CHIP C 0.010UF K	
C21			CK73GB1H103K	CHIP C 0.010UF K		C517			CK73GB1C104K	CHIP C 0.10UF K	
C22 ,23			CK73GB1A105K	CHIP C 1.0UF K		C518			CK73GB1H102K	CHIP C 1000PF K	
C24			CD04AV0J470M	ELECTRO 47UF 6.3WV		C519			CD04AV1C470M	ELECTRO 47UF 16WV	
C52			CK73FB0J106K	CHIP C 10UF K		C520			CK73GB1C104K	CHIP C 0.10UF K	
C53			CC73HCH1H151J	CHIP C 150PF J		C523			CK73GB1H102K	CHIP C 1000PF K	
C54			CK73GB1C104K	CHIP C 0.10UF K		C524			CK73GB1C224K	CHIP C 0.22UF K	
C55			CK73GB1H102K	CHIP C 1000PF K		C525			CC73GCH1H270J	CHIP C 27PF J	
C58			CK73EB1H475K	CHIP C 4.7UF K		C527			CC73GCH1H150J	CHIP C 15PF J	
C71			CK73HB1A104K	CHIP C 0.10UF K		C528			CC73GCH1H471J	CHIP C 470PF J	
C72			CK73GB1C104K	CHIP C 0.10UF K		C530			CK73GB1H102K	CHIP C 1000PF K	
C73		*	C90-6990-05	ELECTRO 220UF 10WV		C531			CC73GCH1H070D	CHIP C 7.0PF D	

K: KDC-BT648U K1: KDC-X695 K2: KDC-X395 K3: KDC-348U

M1: KDC-U549BT M2: KDC-U4549SD M3: KDC-U4549 E1: KDC-BT41U E3: KDC-4751SD

▲ indicates safety critical components.

# PARTS LIST

## ELECTRIC UNIT (X34-696x-xx)

Ref.No.	A d d	N e w	Parts No.	Description	Dest inati on	Ref.No.	A d d	N e w	Parts No.	Description	Dest inati on
C532			CC73GCH1H060D	CHIP C 6.0PF D		J701			E63-0972-05	PIN JACK	KK1M2
C533			CC73GCH1H020C	CHIP C 2.0PF C		J701			E63-0972-05	PIN JACK	K2K3M
C539,540			CC73GCH1H040C	CHIP C 4.0PF C		J701			E63-0973-05	PIN JACK	M1
C541			CK73GB1H102K	CHIP C 1000PF K		J701			E63-0974-05	PIN JACK	E1E3
C601,602			CK73GB1C104K	CHIP C 0.10UF K	KK1M2	J921			E11-0625-05	PHONE JACK	K1E1
C601,602			CK73GB1C104K	CHIP C 0.10UF K	K2K3M3	W551	2D		E30-6803-05	CORD WITH PLUG	
C603			CD04AV0J470M	ELECTRO 47UF 6.3WV	KK1M2	F1			F53-0406-05	FUSE (UL,CSA) (2.5A)	
C603			CD04AV0J470M	ELECTRO 47UF 6.3WV	K2K3M3						
C701-706			CD04AV1V100M	ELECTRO 10UF 35WV	KK1M2						
C701-706			CD04AV1V100M	ELECTRO 10UF 35WV	K2K3M3	L1			L33-2459-05	CHOKO COIL ASSY	
C703-706			CD04AV1V100M	ELECTRO 10UF 35WV	M1	L51			L33-2462-05	SMALL FIXED INDUCTOR	
C705,706			CD04AV1V100M	ELECTRO 10UF 35WV	E1E3	L52,53			L92-0639-05	CHIP FERRITE	
C711-716			CK73GB1H102K	CHIP C 1000PF K	KK1M2	L302			L92-0616-05	CHIP FERRITE	
C711-716			CK73GB1H102K	CHIP C 1000PF K	K2K3M3	L401-405			L92-0648-05	CHIP FERRITE	
C713-716			CK73GB1H102K	CHIP C 1000PF K	M1	L501			L40-4791-58	SMALL FIXED INDUCTOR	
C715,716			CK73GB1H102K	CHIP C 1000PF K	E1E3	L502,503			L33-1031-05	SMALL FIXED INDUCTOR	
C801-804			CK73GB1C224K	CHIP C 0.22UF K		L504			L40-2781-58	SMALL FIXED INDUCTOR (0.27UH)	
C805			CD04AV1C330M	ELECTRO 33UF 16WV		L505			L40-4791-58	SMALL FIXED INDUCTOR	
C806			CK73GB1A105K	CHIP C 1.0UF K		L506			L40-4781-58	SMALL FIXED INDUCTOR	
C807			CK73HB0J105K	CHIP C 1.0UF K		L507			L40-1891-58	SMALL FIXED INDUCTOR (1.8UH)	
C808			CK73GB1A105K	CHIP C 1.0UF K		L508			L40-4781-58	SMALL FIXED INDUCTOR	
C821-828			CC73GCH1H471J	CHIP C 470PF J		L509			L92-0607-05	CHIP FERRITE	K1
C901			CK73GB1C104K	CHIP C 0.10UF K	KK1E1	L509			L92-0607-05	CHIP FERRITE	K2K3K
C901			CK73GB1C104K	CHIP C 0.10UF K	M1	L551			QQR1872-001	RF COIL	
C902			CK73FB0J106K	CHIP C 10UF K	KK1E1	X201	*		L77-3846-05	CRYSTAL RESONATOR (12MHZ)	
C902			CK73FB0J106K	CHIP C 10UF K	M1	X202			L77-2921-15	CRYSTAL RESONATOR (32.768KHZ)	
C903,904			CC73GCH1H101J	CHIP C 100PF J	KK1E1	X501			L77-3824-05	CRYSTAL RESONATOR (4.000MHZ)	
C903,904			CC73GCH1H101J	CHIP C 100PF J	M1	J	2D		N80-3008-48	PAN HEAD TAPTITE SCREW	
C905,906			CK73GB1C104K	CHIP C 0.10UF K	KK1E1	K	2D		N83-3005-48	PAN HEAD TAPTITE SCREW	
C905,906			CK73GB1C104K	CHIP C 0.10UF K	M1	L	2D		N84-3014-48	PAN HEAD TAPTITE SCREW	
C908			CD04AV1V100M	ELECTRO 10UF 35WV	KK1E1	M	3D		N86-2606-48	BINDING HEAD TAPTITE SCREW	
C908			CD04AV1V100M	ELECTRO 10UF 35WV	M1	N	2D		N89-3010-48	BINDING HEAD TAPTITE SCREW	
C909			CK73GB1C104K	CHIP C 0.10UF K	KK1M1	CP901			RK74GA1J101J	CHIP-COM 100 J 1/16W	KK1M1
C909			CK73GB1C104K	CHIP C 0.10UF K	M2E1E3	CP901			RK74GA1J101J	CHIP-COM 100 J 1/16W	M2E1E
C910			C90-6989-05	ELECTRO 330UF 6.3WV	KK1E1	R1			RD14BB2C102J	RD 1.0K J 1/6W	
C910			C90-6989-05	ELECTRO 330UF 6.3WV	M1	R2			RK73HB1J102J	CHIP R 1.0K J 1/16W	
C912			CK73HB1A104K	CHIP C 0.10UF K	KK1E1	R11			RD14DB2H7R5J	SMALL-RD 7.5 J 1/2W	
C912			CK73HB1A104K	CHIP C 0.10UF K	M1	R51			RK73GH2A303D	CHIP R 30K D 1/10W	
C913			CK73GB1H102K	CHIP C 1000PF K	KK1E1	R52			RK73GH2A164D	CHIP R 160K D 1/10W	
C913			CK73GB1H102K	CHIP C 1000PF K	M1	R53			RK73HB1J164J	CHIP R 160K J 1/16W	
C914			CK73GB0J225K	CHIP C 2.2UF K	KK1M1	R54			RK73GH2A823D	CHIP R 82K D 1/10W	
C914			CK73GB0J225K	CHIP C 2.2UF K	M2E1E3	R55			RK73GH2A134D	CHIP R 130K D 1/10W	
C915			CK73FB1H334K	CHIP C 0.33UF K	KK1M1	R57			RK73HB1J102J	CHIP R 1.0K J 1/16W	
C915			CK73FB1H334K	CHIP C 0.33UF K	M2E1E3	R59			RK73EB2E150J	CHIP R 15 J 1/4W	
C916,917			CK73GB1C104K	CHIP C 0.10UF K	KK1E1	R71			RK73GB2A223J	CHIP R 22K J 1/10W	
C916,917			CK73GB1C104K	CHIP C 0.10UF K	M1	R91			RK73GB2A362J	CHIP R 3.6K J 1/10W	K2K1
C921			CK73GB1H103K	CHIP C 0.010UF K	E1	R92			RK73GB2A432J	CHIP R 4.3K J 1/10W	K2K1
CN301			E41-1828-05	FLAT CABLE CONNECTOR		R93			RK73GB2A562J	CHIP R 5.6K J 1/10W	K2K1
CN901			E41-3043-05	PIN ASSY	KK1M1	R94			RK73GB2A2R2J	CHIP R 2.2 J 1/10W	K2K1
CN901			E41-3043-05	PIN ASSY	M2E1E3	R95			RK73FB2B102J	CHIP R 1.0K J 1/8W	K2K1
J1			E58-0991-05	RECTANGULAR RECEPTACLE		R96			RK73GB2A222J	CHIP R 2.2K J 1/10W	K2K1
J301	*		E58-1144-05	RECTANGULAR RECEPTACLE		R97			RK73GB2A101J	CHIP R 100 J 1/10W	K2K1
J601			E56-0855-05	CYLINDRICAL RECEPTACLE	KK1M2	R99			RK73EB2E000J	CHIP R 0.0 J 1/4W	E1E3M
J601			E56-0855-05	CYLINDRICAL RECEPTACLE	K2K3M3	R99			RK73EB2E000J	CHIP R 0.0 J 1/4W	K3M3K
						R99			RK73EB2E000J	CHIP R 0.0 J 1/4W	M2

K: KDC-BT648U K1: KDC-X695 K2: KDC-X395 K3: KDC-348U

M1: KDC-U549BT M2: KDC-U4549SD M3: KDC-U4549 E1: KDC-BT41U E3: KDC-4751SD

▲ indicates safety critical components.

# PARTS LIST

## ELECTRIC UNIT (X34-696x-xx)

Ref.No.	A d d	N e w	Parts No.	Description	Dest inati on	Ref.No.	A d d	N e w	Parts No.	Description	Dest inati on
R101			RK73FB2B472J	CHIP R 4.7K J 1/8W	K1	R242			RK73GB2A000J	CHIP R 0.0 J 1/10W	
R101			RK73FB2B472J	CHIP R 4.7K J 1/8W	K2K3K	R261			RK73GB2A223J	CHIP R 22K J 1/10W	
R101,102			RK73FB2B472J	CHIP R 4.7K J 1/8W	M1M2	R262			RK73HB1J223J	CHIP R 22K J 1/16W	
R101,102			RK73FB2B472J	CHIP R 4.7K J 1/8W	M3E1E3	R263			RK73HB1J333J	CHIP R 33K J 1/16W	
R103-105			RK73EB2E102J	CHIP R 1.0K J 1/4W		R266,267			RK73GB2A332J	CHIP R 3.3K J 1/10W	
R106			RK73EB2E333J	CHIP R 33K J 1/4W		R271			RK73HB1J101J	CHIP R 100 J 1/16W	
R107			RK73HB1J103J	CHIP R 10K J 1/16W		R301			RK73GB2A222J	CHIP R 2.2K J 1/10W	
R108			RK73GB2A223J	CHIP R 22K J 1/10W		R302			RK73HB1J101J	CHIP R 100 J 1/16W	
R109			RK73FB2B683J	CHIP R 68K J 1/8W		R303			RK73GB2A222J	CHIP R 2.2K J 1/10W	
R110			RK73GB2A473J	CHIP R 47K J 1/10W		R304			RK73HB1J101J	CHIP R 100 J 1/16W	
R111			RK73EB2E203J	CHIP R 20K J 1/4W		R305,306			RK73GB2A222J	CHIP R 2.2K J 1/10W	
R112			RK73HB1J104J	CHIP R 100K J 1/16W		R307			RK73HB1J222J	CHIP R 2.2K J 1/16W	
R113			RK73GB2A103J	CHIP R 10K J 1/10W		R308			RK73GB2A222J	CHIP R 2.2K J 1/10W	
R114,115			RK73HB1J103J	CHIP R 10K J 1/16W		R309,310			RK73HB1J101J	CHIP R 100 J 1/16W	
R117			RK73GB2A123J	CHIP R 12K J 1/10W		R311			RK73GB2A101J	CHIP R 100 J 1/10W	
R118			RK73GB2A683J	CHIP R 68K J 1/10W		R312,313			RK73HB1J101J	CHIP R 100 J 1/16W	
R119			RK73HB1J103J	CHIP R 10K J 1/16W		R314			RK73GB2A223J	CHIP R 22K J 1/10W	
R124			RK73HB1J363J	CHIP R 36K J 1/16W		R315			RK73GB2A100J	CHIP R 10 J 1/10W	
R125			RK73HB1J104J	CHIP R 100K J 1/16W		R318,319			RK73HB1J222J	CHIP R 2.2K J 1/16W	
R151			RK73HB1J000J	CHIP R 0.0 J 1/16W	M3M1M2	R321			RK73GB2A104J	CHIP R 100K J 1/10W	
R152			RK73HB1J000J	CHIP R 0.0 J 1/16W	E1E3	R322			RK73HB1J104J	CHIP R 100K J 1/16W	
R201,202			RK73GB2A102J	CHIP R 1.0K J 1/10W		R323			RK73GB2A102J	CHIP R 1.0K J 1/10W	
R203			RK73GB2A223J	CHIP R 22K J 1/10W		R324			RK73EB2E102J	CHIP R 1.0K J 1/4W	
R204			RK73GB2A104J	CHIP R 100K J 1/10W		R327			RK73HB1J225J	CHIP R 2.2M J 1/16W	
R205			RK73HB1J102J	CHIP R 1.0K J 1/16W		R331			RK73EB2E102J	CHIP R 1.0K J 1/4W	
R206			RK73GB2A100J	CHIP R 10 J 1/10W		R332,333			RK73EB2E222J	CHIP R 2.2K J 1/4W	
R207			RK73HB1J153J	CHIP R 15K J 1/16W		R334-336			RK73EB2E102J	CHIP R 1.0K J 1/4W	
R208			RK73GB2A100J	CHIP R 10 J 1/10W		R337,338			RK73GB2A103J	CHIP R 10K J 1/10W	
R209			RK73HB1J153J	CHIP R 15K J 1/16W		R339,340			RK73EB2E100J	CHIP R 10 J 1/4W	
R212			RK73GB2A473J	CHIP R 47K J 1/10W	K3M3K	R341			RK73EB2E4R7J	CHIP R 4.7 J 1/4W	
R213			RK73GB2A473J	CHIP R 47K J 1/10W	K2K1	R342			RK73EB2E102J	CHIP R 1.0K J 1/4W	
R213,214			RK73GB2A473J	CHIP R 47K J 1/10W	E1E3M1	R343			RK73GB2A102J	CHIP R 1.0K J 1/10W	
R213,214			RK73GB2A473J	CHIP R 47K J 1/10W	M2	R347			RK73GB2A000J	CHIP R 0.0 J 1/10W	
R214			RK73GB2A473J	CHIP R 47K J 1/10W	M3	R401,402			RK73GB2A103J	CHIP R 10K J 1/10W	
R215			RK73GB2A223J	CHIP R 22K J 1/10W	M3M1M2	R403			RK73HB1J472J	CHIP R 4.7K J 1/16W	
R215			RK73GB2A473J	CHIP R 47K J 1/10W	K1	R404			RK73EB2E2R2J	CHIP R 2.2 J 1/4W	
R215			RK73GB2A473J	CHIP R 47K J 1/10W	K2K3K	R505			RK73GB2A472J	CHIP R 4.7K J 1/10W	
R216			RK73HB1J104J	CHIP R 100K J 1/16W		R506			RK73EB2E220J	CHIP R 22 J 1/4W	
R217			RK73GB2A473J	CHIP R 47K J 1/10W		R507,508			RK73GB2A221J	CHIP R 220 J 1/10W	
R218			RK73GB2A102J	CHIP R 1.0K J 1/10W		R513,514			RK73GB2A684J	CHIP R 680K J 1/10W	
R219			RK73GB2A473J	CHIP R 47K J 1/10W		R515,516			RK73GB2A332J	CHIP R 3.3K J 1/10W	
R220			RK73HB1J104J	CHIP R 100K J 1/16W		R518			RK73GB2A000J	CHIP R 0.0 J 1/10W	M1M2
R222			RK73HB1J101J	CHIP R 100 J 1/16W		R518			RK73GB2A000J	CHIP R 0.0 J 1/10W	M3E1E
R223			RK73HB1J102J	CHIP R 1.0K J 1/16W		R519,520			RK73GB2A221J	CHIP R 220 J 1/10W	
R224,225			RK73HB1J101J	CHIP R 100 J 1/16W		R528			RK73EB2E000J	CHIP R 0.0 J 1/4W	K1E1E
R226,227			RK73HB1J223J	CHIP R 22K J 1/16W		R528			RK73EB2E000J	CHIP R 0.0 J 1/4W	K2K3K
R228,229			RK73GB2A101J	CHIP R 100 J 1/10W		R601,602			RK73EB2E100J	CHIP R 10 J 1/4W	KK1M2
R230			RK73HB1J223J	CHIP R 22K J 1/16W		R601,602			RK73EB2E100J	CHIP R 10 J 1/4W	K2K3M
R231			RK73HB1J101J	CHIP R 100 J 1/16W		R603			RK73EB2E4R7J	CHIP R 4.7 J 1/4W	KK1M2
R232			RK73GB2A102J	CHIP R 1.0K J 1/10W		R603			RK73EB2E4R7J	CHIP R 4.7 J 1/4W	K2K3M
R233			RK73HB1J101J	CHIP R 100 J 1/16W		R605			RK73EB2E101J	CHIP R 100 J 1/4W	KK1M2
R234			RK73HB1J102J	CHIP R 1.0K J 1/16W		R605			RK73EB2E101J	CHIP R 100 J 1/4W	K2K3M
R238			RK73EB2E471J	CHIP R 470 J 1/4W		R606,607			RK73EB2E473J	CHIP R 47K J 1/4W	KK1M2
R240			RK73GB2A332J	CHIP R 3.3K J 1/10W		R606,607			RK73EB2E473J	CHIP R 47K J 1/4W	K2K3M
R241			RK73HB1J332J	CHIP R 3.3K J 1/16W		R608			RK73EB2E101J	CHIP R 100 J 1/4W	KK1M2

K: KDC-BT648U K1: KDC-X695 K2: KDC-X395 K3: KDC-348U

M1: KDC-U549BT M2: KDC-U4549SD M3: KDC-U4549 E1: KDC-BT41U E3: KDC-4751SD

▲ indicates safety critical components.

# PARTS LIST

## ELECTRIC UNIT (X34-696x-xx)

Ref.No.	A d d	N e w	Parts No.	Description	Dest inati on	Ref.No.	A d d	N e w	Parts No.	Description	Dest inati on
R608			RK73EB2E101J	CHIP R 100 J 1/4W	K2K3M3	R907			RK73GB2A2R2J	CHIP R 2.2 J 1/10W	KK1E1
R609			RK73EB2E473J	CHIP R 47K J 1/4W	KK1M2	R907			RK73GB2A2R2J	CHIP R 2.2 J 1/10W	M1
R609			RK73EB2E473J	CHIP R 47K J 1/4W	K2K3M3	R908,909			RK73GB2A103J	CHIP R 10K J 1/10W	KK1E1
R610			RK73EB2E472J	CHIP R 4.7K J 1/4W	KK1M2	R908,909			RK73GB2A103J	CHIP R 10K J 1/10W	M1
R610			RK73EB2E472J	CHIP R 4.7K J 1/4W	K2K3M3	R913			RK73HB1J000J	CHIP R 0.0 J 1/16W	KK1E1
R611			RK73EB2E432J	CHIP R 4.3K J 1/4W	KK1M2	R913			RK73HB1J000J	CHIP R 0.0 J 1/16W	M1
R611			RK73EB2E432J	CHIP R 4.3K J 1/4W	K2K3M3	R913			RK73HB1J330J	CHIP R 33 J 1/16W	E3M2
R612			RK73EB2E472J	CHIP R 4.7K J 1/4W	KK1M2	R914			RK73GB2A473J	CHIP R 47K J 1/10W	E3M2
R612			RK73EB2E472J	CHIP R 4.7K J 1/4W	K2K3M3	R915			RK73GB2A000J	CHIP R 0.0 J 1/10W	KK1E1
R616			RK73GB2A473J	CHIP R 47K J 1/10W	KK1M2	R915			RK73GB2A000J	CHIP R 0.0 J 1/10W	M1
R616			RK73GB2A473J	CHIP R 47K J 1/10W	K2K3M3	R917			RK73EB2E000J	CHIP R 0.0 J 1/4W	KK1E1
R617			RK73HB1J104J	CHIP R 100K J 1/16W	KK1M2	R917			RK73EB2E000J	CHIP R 0.0 J 1/4W	M1
R617			RK73HB1J104J	CHIP R 100K J 1/16W	K2K3M3	R921,922			RK73EB2E101J	CHIP R 100 J 1/4W	K1E1
R618			RK73GB2A683J	CHIP R 68K J 1/10W	KK1M2	R923,924			RK73HB1J000J	CHIP R 0.0 J 1/16W	K1
R618			RK73GB2A683J	CHIP R 68K J 1/10W	K2K3M3	R925,926			RK73HB1J000J	CHIP R 0.0 J 1/16W	KM1
R619,620			RK73HB1J683J	CHIP R 68K J 1/16W	KK1M2	R927,928			RK73GB2A101J	CHIP R 100 J 1/10W	KE1M1
R619,620			RK73HB1J683J	CHIP R 68K J 1/16W	K2K3M3	R929			RK73HB1J473J	CHIP R 47K J 1/16W	E1
R701,702			RK73GB2A331J	CHIP R 330 J 1/10W	KK1M2	R951			RK73HB1J101J	CHIP R 100 J 1/16W	E3M2
R701,702			RK73GB2A331J	CHIP R 330 J 1/10W	K2K3M3	R952			RK73HB1J473J	CHIP R 47K J 1/16W	E3M2
R703,704			RK73HB1J223J	CHIP R 22K J 1/16W	KK1M2	R953			RK73GB2A473J	CHIP R 47K J 1/10W	E3M2
R703,704			RK73HB1J223J	CHIP R 22K J 1/16W	K2K3M3	R954			RK73HB1J101J	CHIP R 100 J 1/16W	E3M2
R705,706			RK73FB2B181J	CHIP R 180 J 1/8W	KK1M2	R955			RK73HB1J102J	CHIP R 1.0K J 1/16W	E3M2
R705,706			RK73FB2B181J	CHIP R 180 J 1/8W	K2K3M3	R956			RK73HB1J473J	CHIP R 47K J 1/16W	E3M2
R707,708			RK73GB2A331J	CHIP R 330 J 1/10W	KK1M1	S301			S70-0959-05	TACT SWITCH	
R707,708			RK73GB2A331J	CHIP R 330 J 1/10W	K2K3M3	D1			S2V60-5009F46	DIODE	
R707,708			RK73GB2A331J	CHIP R 330 J 1/10W	M2	D2			HZS9-E(A1)	ZENER DIODE	
R709,710			RK73HB1J223J	CHIP R 22K J 1/16W	KK1M1	D3			1SR154-400	DIODE	
R709,710			RK73HB1J223J	CHIP R 22K J 1/16W	K2K3M3	D4			HSS4148	DIODE	
R709,710			RK73HB1J223J	CHIP R 22K J 1/16W	M2	D6			HSS4148	DIODE	
R711,712			RK73FB2B181J	CHIP R 180 J 1/8W	KK1M1	D51			CMS14	DIODE	
R711,712			RK73FB2B181J	CHIP R 180 J 1/8W	K2K3M3	D52			1SS355	DIODE	
R713,714			RK73GB2A331J	CHIP R 330 J 1/10W	M2	D91			1SR154-400	DIODE	K2K1
R715,716			RK73HB1J223J	CHIP R 22K J 1/16W		D92, 93			UDZW5.6(B)	ZENER DIODE	K2K1
R717,718			RK73FB2B181J	CHIP R 180 J 1/8W		D101-104			1SR154-400	DIODE	M1M2
R801			RK73HB1J333J	CHIP R 33K J 1/16W		D101-104			1SR154-400	DIODE	M3E1E
R802			RK73HB1J473J	CHIP R 47K J 1/16W		D101,102			1SR154-400	DIODE	K1
R803			RK73HB1J333J	CHIP R 330 J 1/16W		D101,102			1SR154-400	DIODE	K2K3K
R804			RK73GB2A223J	CHIP R 22K J 1/10W		D105			MC2846-T111	DIODE	
R805			RK73GB2A622J	CHIP R 6.2K J 1/10W		D106-108			UDZW6.8(B)	ZENER DIODE	
R806			RK73GB2A100J	CHIP R 10 J 1/10W		D201			RB521S-30	DIODE	
R807,808			RK73GB2A102J	CHIP R 1.0K J 1/10W		D301			MC2850-T111	DIODE	
R809			RK73GB2A473J	CHIP R 47K J 1/10W		D302-304			RKZ6.8KG(B2)	ZENER DIODE	
R810			RK73GB2A272J	CHIP R 2.7K J 1/10W		D305,306			LVS10C270S030	VARISTOR	
R821			RK73GB2A000J	CHIP R 0.0 J 1/10W		D307			HZM6.8ZMWA-E	ZENER DIODE	
R822,823			RK73HB1J101J	CHIP R 100 J 1/16W		D308			MC2850-T111	DIODE	
R901			RK73HB1J101J	CHIP R 100 J 1/16W	E3M2	D401-403			MC2846-T111	DIODE	
R901			RK73HB1J220J	CHIP R 22 J 1/16W	KK1E1	D502			MC2850-T111	DIODE	
R901			RK73HB1J220J	CHIP R 22 J 1/16W	M1	D601-605			RKZ6.8KG(B2)	ZENER DIODE	KK1M2
R902			RK73HB1J473J	CHIP R 47K J 1/16W	KK1M1	D601-605			RKZ6.8KG(B2)	ZENER DIODE	K2K3M
R902			RK73HB1J473J	CHIP R 47K J 1/16W		D611			RKZ6.8KG(B2)	ZENER DIODE	KK1M2
R903,904			RK73GB2A473J	CHIP R 47K J 1/10W	M2E1E3	D611			RKZ6.8KG(B2)	ZENER DIODE	K2K3M
R903,904			RK73GB2A473J	CHIP R 47K J 1/10W	KK1E1	D701,702			MC2846-T111	DIODE	KK1M1
R905,906			RK73GB2A223J	CHIP R 22K J 1/10W	M1	D701,702			MC2846-T111	DIODE	K2K3M
R905,906			RK73GB2A223J	CHIP R 22K J 1/10W	KK1E1	D701,702			MC2846-T111	DIODE	M2
R905,906			RK73GB2A223J	CHIP R 22K J 1/10W	M1						

K: KDC-BT648U K1: KDC-X695 K2: KDC-X395 K3: KDC-348U

M1: KDC-U549BT M2: KDC-U4549SD M3: KDC-U4549 E1: KDC-BT41U E3: KDC-4751SD

▲ indicates safety critical components.

# PARTS LIST

## ELECTRIC UNIT (X34-696x-xx)

Ref.No.	A d d w	N e w	Parts No.	Description	Dest inati on	Ref.No.	A d d w	N e w	Parts No.	Description	Dest inati on
D702			MC2846-T111	DIODE	E1E3	Q703-706			RT1N430M-T111	TRANSISTOR	M1
D801			MC2846-T111	DIODE		Q705,706			RT1N430M-T111	TRANSISTOR	E1E3
D921,922			RKZ4.7KG(B2)	ZENER DIODE	K1E1	Q707,708			RT1P144M-T111	TRANSISTOR	KK1M1
IC1			BD49131-V4	ANALOGUE IC		Q707,708			RT1P144M-T111	TRANSISTOR	K2K3M
IC21			R1114N331B-TR	ANALOGUE IC		Q707,708			RT1P144M-T111	TRANSISTOR	M2
IC51			MP2562DS-X	ANALOGUE IC		Q708			RT1P144M-T111	TRANSISTOR	E1E3
IC71			BD2224G	MOS-IC		Q921			RT1N436M-T111	TRANSISTOR	E1
IC201	*		W05-1654-00	MCU	KK1E1	Q951			2SB1689	TRANSISTOR	E3M2
IC201	*		W05-1654-00	MCU	M1	TH801			PRF18BE471QS2	POSITIVE RESISTOR	
IC201	*		W05-1656-00	MCU	E3M2	A901			W02-5374-15	ELECTRIC CIRCUIT MODULE	KK1E1
IC201	*		W05-1657-00	MCU	K2K3M3	A901			W02-5374-15	ELECTRIC CIRCUIT MODULE	M1
IC202	*		XC6119N28AN-G	MOS-IC		<b>MECHANISM ASSY (X92-6370-04) DXM-9B24W</b>					
IC203	*		EX24002ATAS0A	ROM IC	E3M2	1	2B		A10-5450-63	CHASSIS ASSY	
IC203	*		EX24002ATAS0A	ROM IC	K2K3M3	3	3B		A10-5452-41	CHASSIS	
IC203	*		EX24008ATAS0A	ROM IC	KK1E1	4	1B		A10-5453-32	CHASSIS	
IC203	*		EX24008ATAS0A	ROM IC	M1	12	3A		D10-4993-52	LEVER	
IC261			MFI341S2162	MICROPROCESSOR IC		13	1B		D10-4991-22	ARM	
IC301			TC7SET125FU-F	MOS-IC		14	1B		D10-4992-13	ARM	
IC401			E-TDA7415CB	ANALOGUE IC		15	2A		D10-4994-02	SLIDER	
IC501			TEF6614TV1S3-X	ANALOGUE IC	E1E3	16	2A		D10-4995-03	SLIDER	
IC501			TEF6614TV1S4-X	ANALOGUE IC	KK1M1	17	2B		D10-4996-02	SLIDER	
IC501			TEF6614TV1S4-X	ANALOGUE IC	K2K3M3	18	2A		D10-4997-03	LEVER	
IC601			TC74VHCT08AFT	MOS-IC	M2	19	1A		D10-4998-03	ARM	
IC601			TC74VHCT08AFT	MOS-IC	KK1M2	20	2A		D10-4999-03	ARM	
IC602			TC7SET08FU-F	MOS-IC	K2K3M3	21	2A		D10-7001-03	ARM	
IC602			TC7SET08FU-F	MOS-IC	KK1M2	22	2A		D10-7002-03	ARM	
IC801			E-TDA7851A	ANALOGUE IC	K2K3M3	23	2A		D10-7003-03	ARM	
IC802			74HCT2G08DP	MOS-IC		24	2A		D13-2445-04	GEAR	
IC901			NJM4565V-ZB	ANALOGUE IC	KK1E1	25	2A		D13-2446-04	GEAR	
IC901			NJM4565V-ZB	ANALOGUE IC	M1	27	2A		D13-2448-04	GEAR	
IC902			NJM2845DL133B	ANALOGUE IC	KK1M1	28	2A		D13-2449-04	GEAR	
IC902			NJM2845DL133B	ANALOGUE IC	M2E1E3	29	2A		D13-2450-04	GEAR	
IC921			TC4053BFT(N)	ANALOGUE IC	E1	30	2A		D13-2451-04	GEAR	
Q1			KTA1046-P	TRANSISTOR		31	2A		D13-2452-04	GEAR	
Q2			2SC4081	TRANSISTOR		32	2A		D13-2453-04	GEAR	
Q3			RT1N241M-T111	TRANSISTOR		33	2A		D13-2454-04	GEAR	
Q4			RT1P241M-T111	TRANSISTOR		34	2A		D13-2455-04	GEAR	
Q5			RT1N436M-T111	TRANSISTOR	M3M1M2	35	2B		D13-2456-03	RACK (GEAR)	
Q6			RT1P241M-T111	TRANSISTOR	M3M1M2	36	2A		D14-1028-04	ROLLER	
Q7			RT1N436M-T111	TRANSISTOR		37	3A		D21-2507-04	SHAFT	
Q8			RT1P241M-T111	TRANSISTOR		38	2B		D21-2508-04	SHAFT	
Q9			RT1N436M-T111	TRANSISTOR		39	3A		D23-0963-04	RETAINER	
Q10			RT1P241M-T111	TRANSISTOR		40	3B		D39-0277-15	DAMPER	
Q51			RT1N436M-T111	TRANSISTOR		41	3B		D39-0278-15	DAMPER	
Q91			2SC4081	TRANSISTOR	K2K1	46	1B		G01-4682-34	TORSION COIL SPRING	
Q92			2SC5053	TRANSISTOR	K2K1	47	3A		G01-4756-04	EXTENSION SPRING	
Q93			RT1P241M-T111	TRANSISTOR	K2K1	48	2A		G01-4684-04	EXTENSION SPRING	
Q94			RT1N436M-T111	TRANSISTOR	K2K1	49	2B		G01-4685-04	EXTENSION SPRING	
Q101-104			2SC4081	TRANSISTOR		50	1B		G01-4686-14	EXTENSION SPRING	
Q301			RT1P237M-T111	TRANSISTOR	KK1M1	51	3A		G01-4688-14	EXTENSION SPRING	
Q301			RT1P237M-T111	TRANSISTOR	M2E1E3	52	3A		G01-4692-24	TORSION COIL SPRING	
Q301,302			RT1P237M-T111	TRANSISTOR	K2K3M3	54	3A		G02-1588-04	FLAT SPRING	
Q701-706			RT1N430M-T111	TRANSISTOR	KK1M2	55	1B		G13-1297-04	CUSHION	
Q701-706			RT1N430M-T111	TRANSISTOR	K2K3M3	56	1B		G13-1299-14	CUSHION	

K: KDC-BT648U K1: KDC-X695 K2: KDC-X395 K3: KDC-348U

M1: KDC-U549BT M2: KDC-U4549SD M3: KDC-U4549 E1: KDC-BT41U E3: KDC-4751SD

▲ indicates safety critical components.


# PARTS LIST

## MECHANISM ASSY (X92-6370-04) DXM-9B24W

Ref.No.	A d d w	N e w	Parts No.	Description	Dest inati on	Ref.No.	A d d w	N e w	Parts No.	Description	Dest inati on
57	1A		G16-1715-04	SHEET							
61	1B		J11-0675-03	CLAMPER							
64	2A		J19-7210-21	HOLDER							
65	2B		J19-7225-04	HOLDER							
66	1B		J22-0706-03	MOUNTING HARDWARE							
67	1A		J22-0707-12	MOUNTING HARDWARE							
68	1B		J90-1166-11	GUIDE							
69	2B		J90-1168-03	RAIL							
A	1A		N09-6108-15	TAPTITE SCREW (M2X3.5)							
B	2B		N09-6426-15	MACHINE SCREW							
C	2B		N09-6735-05	TAPTITE SCREW							
D	2B		N09-6737-15	MACHINE SCREW							
E	2B		N09-6738-15	TAPTITE SCREW							
F	2A		N19-2335-14	FLAT WASHER							
G	2B		N35-2003-48	BINDING HEAD MACHINE SCREW							
H	2B		N39-1720-48	PAN HEAD MACHINE SCREW							
76	2A		S68-0921-05	PUSH SWITCH							
DM1	2B		X94-2090-00	SPINDLE MOTOR ASSY							
DM2	2B		X94-2100-00	FEED MOTOR ASSY (LOAD/SLED)							
DPU1	2B		X93-2280-00	OPTICAL PICKUP ASSY							

K: KDC-BT648U K1: KDC-X695 K2: KDC-X395 K3: KDC-348U

M1: KDC-U549BT M2: KDC-U4549SD M3: KDC-U4549 E1: KDC-BT41U E3: KDC-4751SD

 indicates safety critical components.