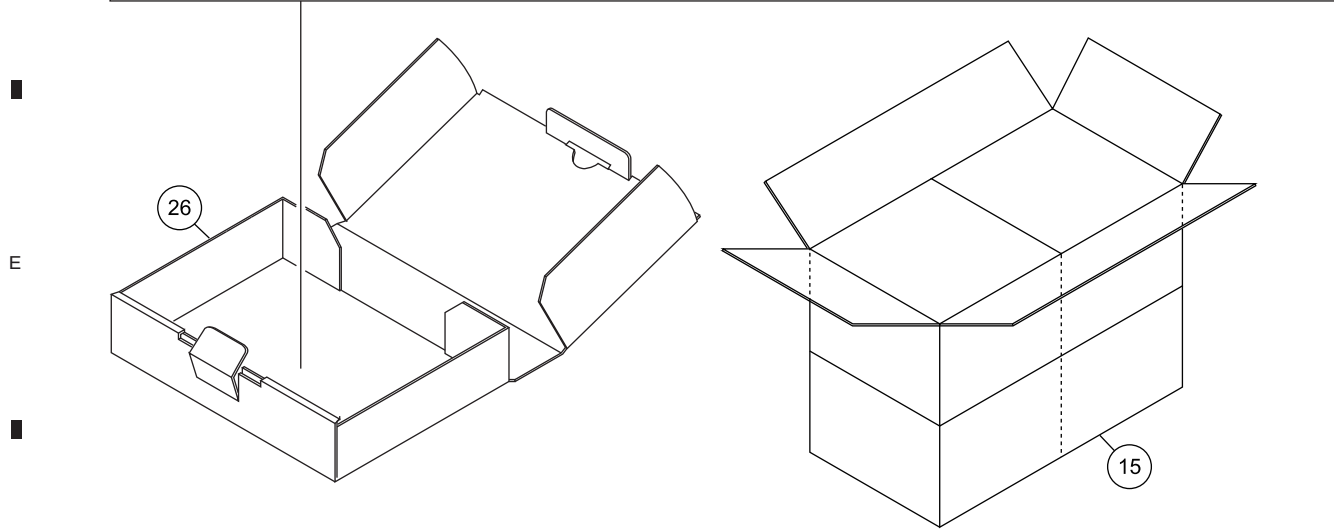
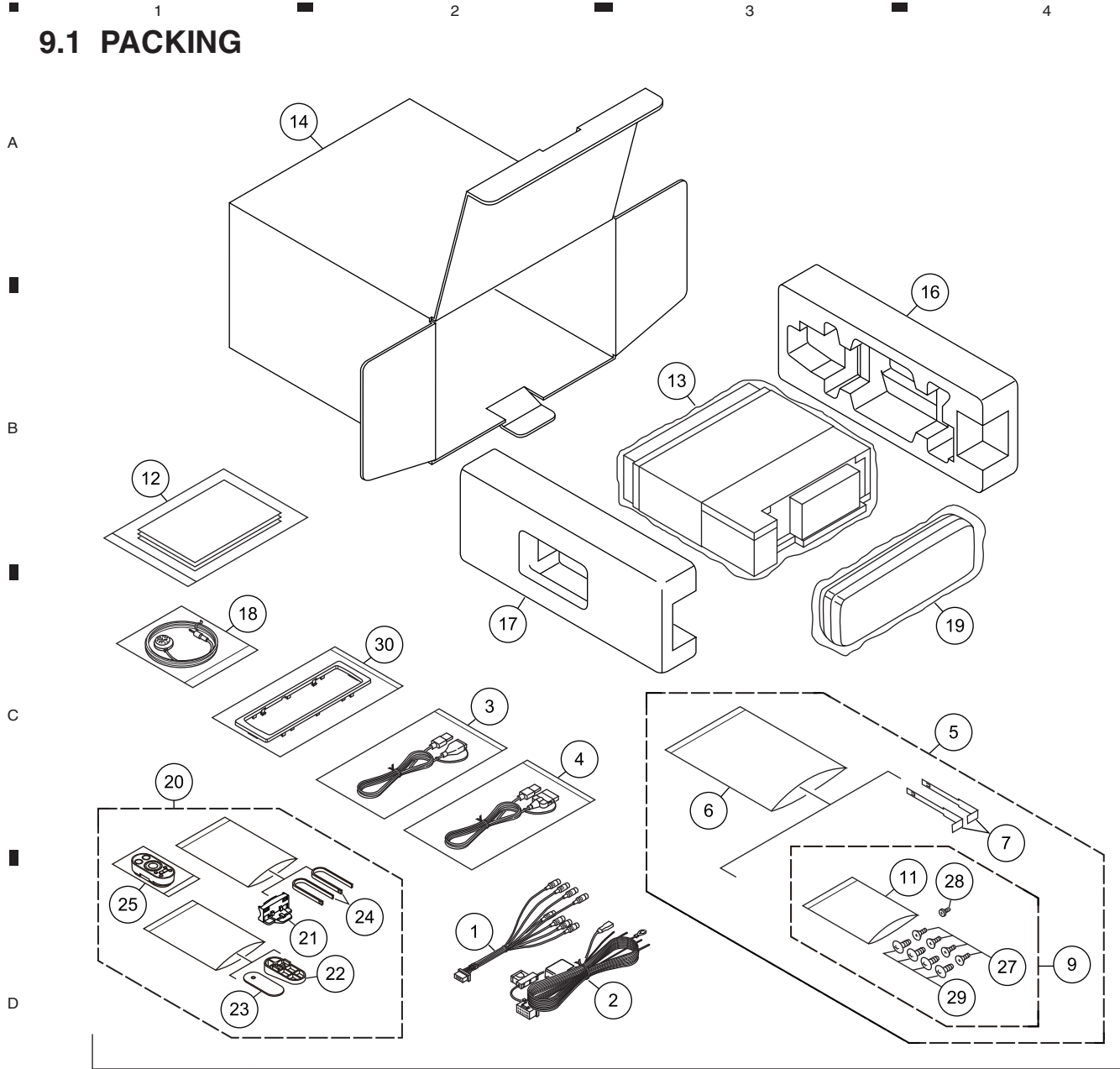


9.1 PACKING



(1) PACKING SECTION PARTS LIST

<u>Mark No.</u>	<u>Description</u>	<u>Part No.</u>	<u>Mark No.</u>	<u>Description</u>	<u>Part No.</u>
1	Cord Assy	CDP1205	* 12-9	Warranty Card	See Contrast table(2)
2	Cord Assy	CDP1209	* 12-10	Caution Card	CRP1402
3	Cord Assy	See Contrast table(2)	13	Polyethylene Bag	See Contrast table(2)
4	Cord Assy	See Contrast table(2)	14	Unit Box	See Contrast table(2)
* 5	Accessory Assy	See Contrast table(2)	15	Contain Box	See Contrast table(2)
6	Polyethylene Bag	CEG1160	16	Protector	CHP3853
7	Handle	CND3707	17	Protector	CHP3854
8	*****		18	Microphone Assy	CPM1054
9	Screw Assy	See Contrast table(2)	19	Case Assy	CXB3520
10	*****		20	Remote Control Assy	CXE1989
* 11	Polyethylene Bag	See Contrast table(2)	21	Holder	CZN7153
12-1	Polyethylene Bag	CEG1116	22	Holder	CZN7154
12-2	Owner's Manual	See Contrast table(2)	23	Double Side Tape	CZN7155
12-3	Owner's Manual	See Contrast table(2)	24	Belt	CZN7156
12-4	Owner's Manual	See Contrast table(2)	* 25	Remote Control Unit	CZX5451
12-5	Owner's Manual	See Contrast table(2)	26	Unit Box(Sub)	CHG6975
12-6	Owner's Manual	See Contrast table(2)	27	Screw	CRZ50P090FTC
12-7	Installation Manual	See Contrast table(2)	28	Screw	JPZ20P060FTB
12-8	Caution Card	CRP1310	29	Screw	TRZ50P080FTC
			30	Panel	CNS9342

(2) CONTRAST TABLE

DEX-P99RS/UC, DEX-P99RS/ES and DEX-P99RS/CN5 are constructed the same except for the following:

<u>Mark</u>	<u>No.</u>	<u>Description</u>	<u>DEX-P99RS/UC</u>	<u>DEX-P99RS/ES</u>	<u>DEX-P99RS/CN5</u>
	3	Cord Assy	CDP1219	CDP1040	CDP1040
	4	Cord Assy	CDP1220	Not used	Not used
*	5	Accessory Assy	CEC2274	CEA3026	CEA3026
	9	Screw Assy	XEA7010	CEA5322	CEA5322
	10	Screw	Not used	CBA1650	CBA1650
*	11	Polyethylene Bag	CEG1158	CEG-127	CEG-127
	12-2	Owner's Manual	CRB3070	CRB3073	CRB3078
	12-3	Owner's Manual	CRB3071	CRB3074	Not used
	12-4	Owner's Manual	Not used	CRB3075	Not used
	12-5	Owner's Manual	Not used	CRB3076	Not used
	12-6	Owner's Manual	Not used	CRB3077	Not used
	12-7	Installation Manual	CRD4428	CRD4429	CRB3080
*	12-9	Warranty Card	CRY1276	Not used	ARY7118
	13	Polyethylene Bag	CEG1374	CEG1373	CEG1373
	14	Unit Box	CHG6977	CHG6978	CHG6979
	15	Contain Box	CHL6977	CHL6978	CHL6979
	27	Screw	CRZ50P090FTC	Not used	Not used

Owner's Manual,Installation Manual

Part No.	Language
CRB3070	English
CRB3071	French
CRD4428	English, French
CRB3073	English
CRB3074	Spanish(Espanol)
CRB3075	Portuguese(B)
CRB3076	Arabic
CRB3077	Traditional Chinese
CRD4429	English, Spanish(Espanol), Portuguese(B), Arabic, Traditional Chinese
CRB3078	Simplified Chinese
CRB3080	Simplified Chinese

A

B

C

D

E

F

(1) EXTERIOR(1) SECTION PARTS LIST

<u>Mark No.</u>	<u>Description</u>	<u>Part No.</u>	<u>Mark No.</u>	<u>Description</u>	<u>Part No.</u>
1	Screw	ASZ26P060FCU			
2	Screw	BSZ26P060FCU	36	Gear	CNV7755
3	Screw(M2.6 x 4)	CBA1828	37	Switch Unit	CWS1389
4	Screw(M2 x 2.5)	CBA1924	38	Switch	CSN1051
5	Cord Assy	CDE9018	39	Spring Switch	CSN1052
			40	Arm Unit	CXC2199
6	Cable	CDE9019			
7	Cord Assy	CDE9041	*	41 Chassis Unit	CXC9189
8	Case	CNB3253	42	Arm Unit	CXC6623
9	Earth Plate	CND2171	43	Arm Unit	CXC6624
10	Holder	CND3616	44	Screw	JFZ20P020FTC
			45	Spring	XBL7003
11	Sheet	CNM8228			
12	Insulator	CNM8790	46	Holder	XNC7017
13	Cushion	CNM9126	47	Insulator	XNM7119
14	Spacer	CNN1405	48	Holder Unit	XXA7399
15	Insulator	CNN3125	49	Motor Unit	XXA7400
			50	Holder Unit	XXA7401
16	Insulator	CNN3126			
17	Cover	CNN3127	51	Arm Unit	XXA7403
18	Sheet	CNN3137	52	Gear Unit	XXA7424
19	Holder	CND3598	53	Washer	YE15FTC
20	Tuner DSP Unit	See Contrast table(2)	54	Panel Unit	CXE1811
			55	CD Mehanism Module(S10.5)	CXK5772
21	Screw	BMZ26P040FCU			
22	Screw	BSZ26P060FCU	56	Screw(M2 x 2)	CBA1871
23	Antenna Cable	CDH1355	57	Screw	CBA1935
24	Clamper	CEF1048	58	Spring	CBH2530
25	Holder	CND5155	59	Connector	CKS5273
			60	Arm	CNV6962
26	Holder	CND5157			
27	FM/AM Tuner Unit	CWE2098	61	Guide	CNV6967
28	Holder	CND4324	62	Guide	CNV8048
29	Drive Unit	CXC9188	63	Screw	XBA7002
30	Screw	BMZ26P040FTC	64	Holder	XNC7019
			65	Flexible PCB	XNP7026
31	Screw(M2 x 2)	CBA1871			
32	Cord	CDE7392	66	CASE UNIT	XXA7426
33	Gear	CNV7752	67	Sheet	CNN3138
34	Gear	CNV7753	68	Insulator	See Contrast table(2)
35	Gear	CNV7754	69	Sheet	See Contrast table(2)

(2) CONTRAST TABLE

DEX-P99RS/UC, DEX-P99RS/ES and DEX-P99RS/CN5 are constructed the same except for the following:

<u>Mark</u>	<u>No.</u>	<u>Description</u>	<u>DEX-P99RS/UC</u>	<u>DEX-P99RS/ES</u>	<u>DEX-P99RS/CN5</u>
	20	Tuner DSP Unit	CWN4137	CWN4138	CWN4140
	68	Insulator	CNN3262	CNN3262	Not used
	69	Sheet	Not used	Not used	CNM9404

<NOTE> Sheet, #69 has to be replaced if it was removed.

9.3 EXTERIOR(2)

1

2

3

4

A

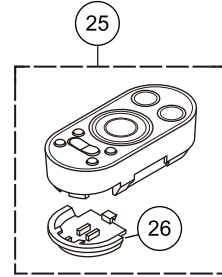
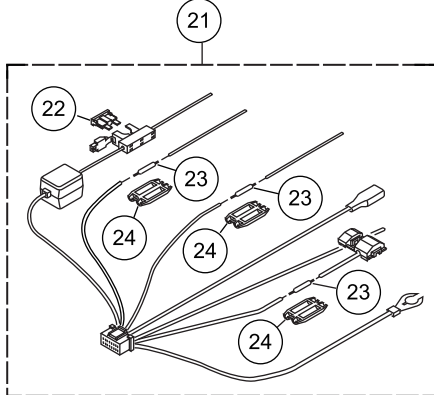
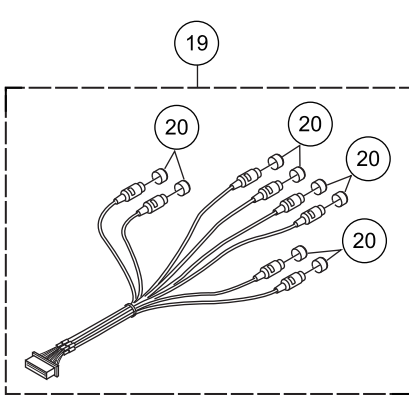
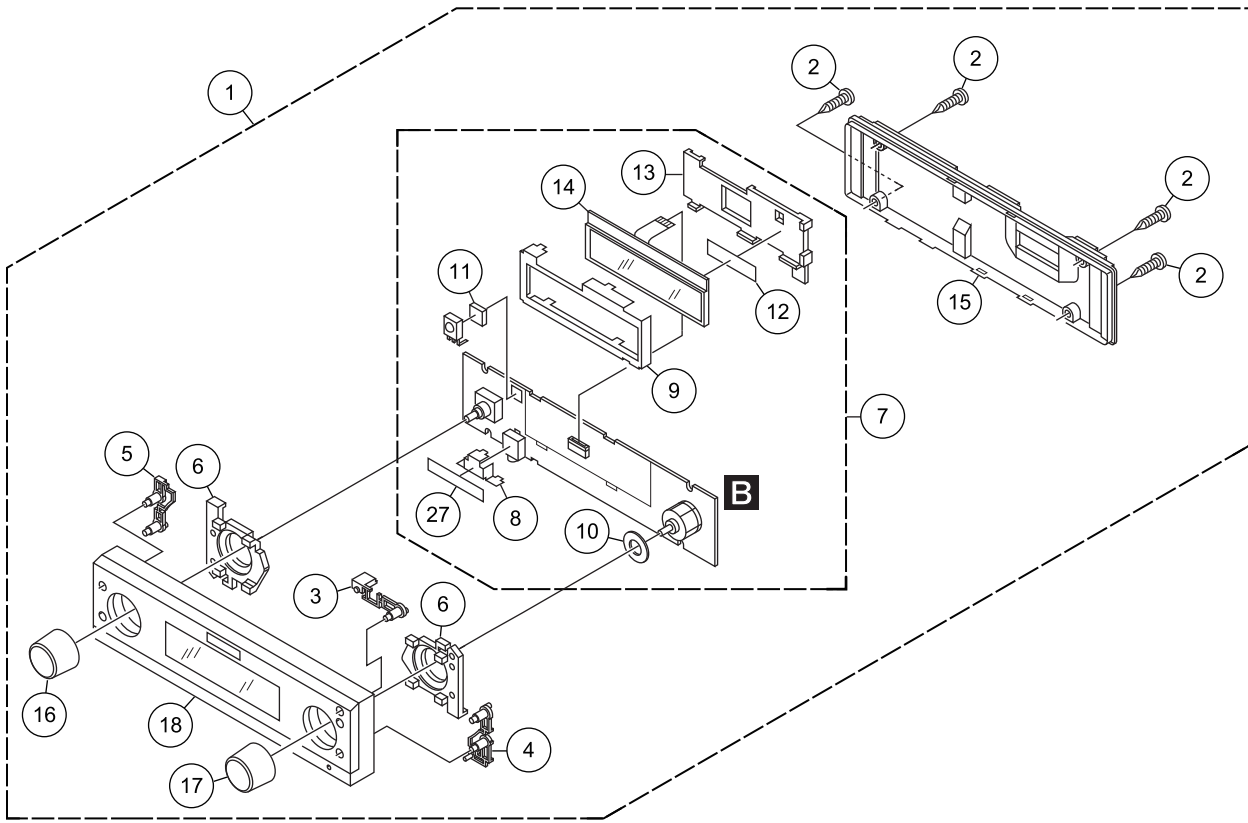
B

C

D

E

F



1

2

3

4

(1) EXTERIOR(2) SECTION PARTS LIST

<u>Mark No.</u>	<u>Description</u>	<u>Part No.</u>	<u>Mark No.</u>	<u>Description</u>	<u>Part No.</u>
1	Grille Assy	See Contrast table(2)	16	Knob Unit(VOL)	CXE1812
2	Screw	BPZ20P080FTB	17	Knob Unit(SEEK)	CXE1813
3	Button(OPEN)	CAI2488	18	Grille Unit	See Contrast table(2)
4	Button(B,D)	CAI2489	19	Cord Assy	CDP1205
5	Button(EQ,CLOCK)	CAI2490	20	Cap	CNW1490
6	Lighting Conductor	CNW1626	21	Cord Assy	CDP1209
7	Keyboard Unit	CWN4130	22	Fuse(7.5 A)	CEK1135
8	Holder	CND3152	23	Resistor	RS1/2PMF102J
9	Holder	CND5194	24	Cap	CNS1472
10	Sheet	CNM8658	25	Remote Control Assy	CXE1989
11	Spacer	CNN3229	26	Battery Cover	CZN7197
12	Double Sided Tape	CNN1878	27	Spacer	CNN1405
13	Holder	CNW1699			
14	OEL Module	MXS4001			
15	Cover Unit	CXC5749			

(2) CONTRAST TABLE

DEX-P99RS/UC, DEX-P99RS/ES and DEX-P99RS/CN5 are constructed the same except for the following:

Mark	No.	Description	DEX-P99RS/UC	DEX-P99RS/ES	DEX-P99RS/CN5
	1	Grille Assy	CXE1650	CXE1651	CXE1653
	18	Grille Unit	CXE2753	CXE1817	CXE1817

9.4 CD MECHANISM MODULE

A

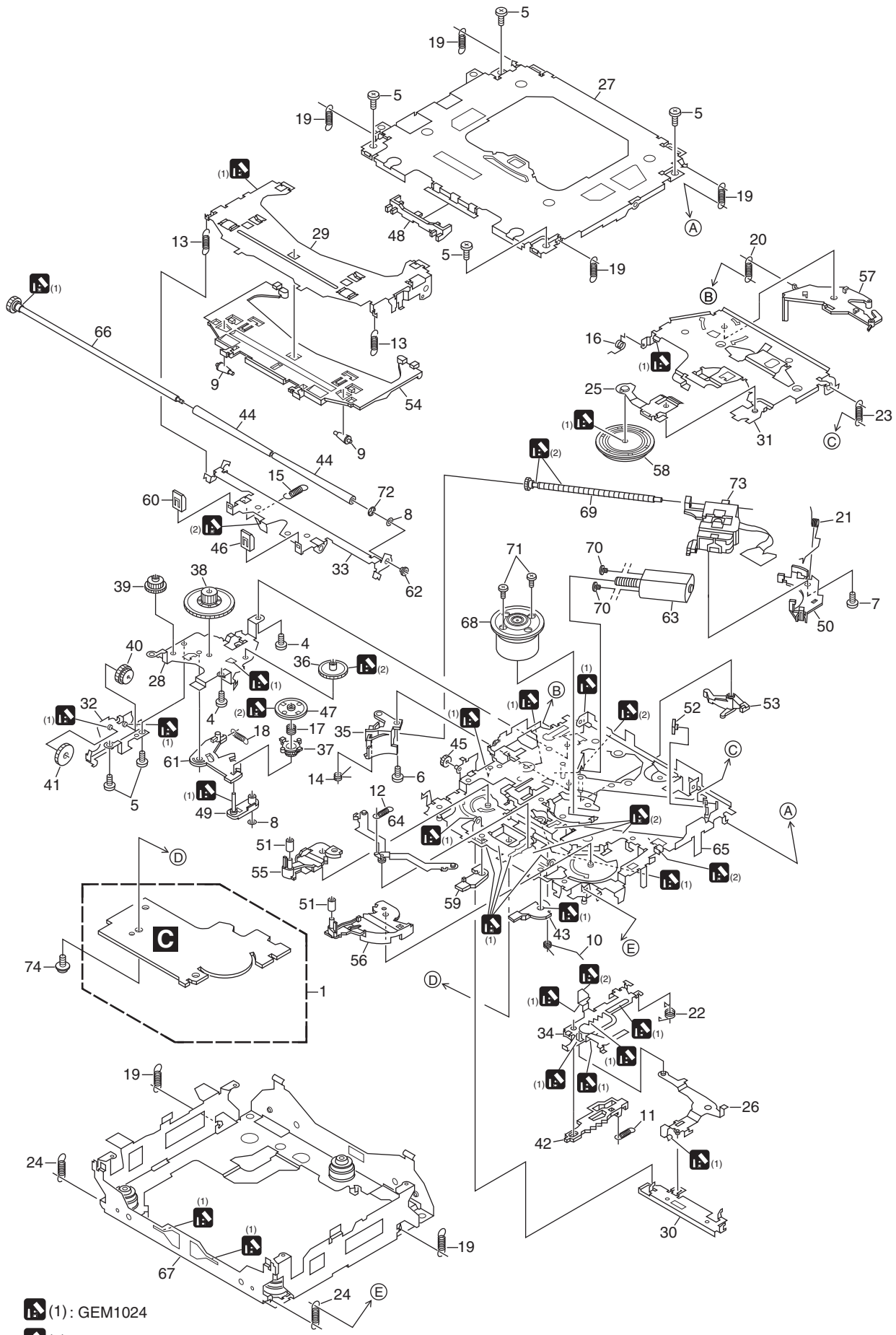
B

C

D

E

F



(1): GEM1024
 (2): GEM1045

DEX-P99RS/UC

CD MECHANISM MODULE SECTION PARTS LIST

<u>Mark No.</u>	<u>Description</u>	<u>Part No.</u>	<u>Mark No.</u>	<u>Description</u>	<u>Part No.</u>
1	CD Core Unit(S10.5iPod-C)	CWX3763	50	Rack	CNV8342
2				
3		51	Roller	CNV8343
4	Screw	BMZ20P025FTC	52	Holder	CNV8344
5	Screw	BSZ20P040FTC	53	Arm	CNV8345
			54	Guide	CNV9498
6	Screw(M2 x 3)	CBA1511	55	Arm	CNV8348
7	Screw(M2 x 4)	CBA1835			
8	Washer	CBF1038	56	Arm	CNV8349
9	Roller	CNV9499	57	Arm	CNV8350
10	Spring	CBH2609	58	Clamper	CNV8365
			59	Arm	CNV8386
11	Spring	CBH2612	60	Guide	CNV8396
12	Spring	CBH2614			
13	Spring	CBH2616	61	Arm	CNV8413
14	Spring	CBH2617	62	Collar	CNV8938
15	Spring	CBH2620	63	Motor Unit(M2)	CXC4026
			64	Arm Unit	CXC4027
16	Spring	CBH2855	65	Chassis Unit	CXC4028
17	Spring	CBH2937			
18	Spring	CBH2735	66	Gear Unit	CXC4029
19	Spring	CBH2854	67	Frame Unit	CXC4031
20	Spring	CBH2642	68	Motor Unit(M1)	CXC7134
			69	Screw Unit	CXC6359
21	Spring	CBH2856	70	Screw	JFZ20P020FTC
22	Spring	CBH2857			
23	Spring	CBH2860	71	Screw	JGZ17P022FTC
24	Spring	CBH2861	72	Washer	YE20FTC
25	Spring	CBL1686	73	Pickup Unit(P10.5)(Service)	CXX1942
			74	Screw	IMS26P030FTC
26	Arm	CND1909			
27	Frame	CND2582			
28	Bracket	CND2583			
29	Arm	CND3831			
30	Lever	CND2585			
31	Arm	CND2586			
32	Bracket	CND2587			
33	Arm	CND2588			
34	Lever	CND2589			
35	Holder	CNV7201			
36	Gear	CNV7207			
37	Gear	CNV7208			
38	Gear	CNV7209			
39	Gear	CNV7210			
40	Gear	CNV7211			
41	Gear	CNV7212			
42	Rack	CNV7214			
43	Arm	CNV7216			
44	Roller	CNV7218			
45	Gear	CNV7219			
46	Guide	CNV7361			
47	Gear	CNV7595			
48	Guide	CNV7799			
49	Arm	CNV7805			

12. ELECTRICAL PARTS LIST

NOTE:

- Parts whose parts numbers are omitted are subject to being not supplied.
- The part numbers shown below indicate chip components.

Chip Resistor

RS1/○S○○○○J,RS1/○○S○○○○J

Chip Capacitor (except for CQS.....)

CKS....., CCS....., CSZS.....

- The \triangle mark found on some component parts indicates the importance of the safety factor of the part. Therefore, when replacing, be sure to use parts of identical designation.
- Meaning of the figures and others in the parentheses in the parts list.

Example) IC 301 is on the point (face A, 91 of x-axis, and 111 of y-axis) of the corresponding PC board.

IC 301 (A, 91, 111) IC NJM2068V

<u>Circuit Symbol and No.</u>	<u>Part No.</u>	<u>Circuit Symbol and No.</u>	<u>Part No.</u>
Unit Number : CWN4137(UC)	IC 303 (A,55,68) IC	TC7SH08FUS1	
Unit Number : CWN4138(ES)	IC 304 (B,80,68) IC	TC7SH08FUS1	
Unit Number : CWN4140(CN5)	IC 305 (A,80,68) IC	TC7SH08FUS1	
Unit Name : Tuner DSP Unit	IC 306 (A,74,68) IC	TC7SH08FUS1	
Unit Number : CWN4130	IC 307 (B,53,81) DSP IC	AK4396VF	
Unit Name : Keyboard Unit	IC 308 (B,65,81) DSP IC	AK4396VF	
Unit Number : CWS1389	IC 309 (B,77,81) DSP IC	AK4396VF	
Unit Name : Switch Unit	IC 310 (B,89,81) DSP IC	AK4396VF	
Unit Number : CWX3763	IC 351 (B,54,101) IC	LT1358CS8	
Unit Name : CD Core Unit(S10.5iPod-C)	IC 352 (B,66,101) IC	LT1358CS8	
	IC 353 (B,78,101) IC	LT1358CS8	
	IC 354 (B,90,101) IC	LT1358CS8	
	IC 401 (A,154,86) IC	NJM2794RB2	
	IC 431 (A,16,80) IC	NJM2388F84	
	IC 441 (B,149,71) IC	NJM2885DL1-33	
	IC 451 (B,127,56) IC	NJM4558V	
	IC 452 (B,127,47) IC	BA3121F	
	IC 453 (B,113,37) IC	TC4066BFT	
	IC 501 (B,112,95) IC	PM9009A	
	IC 502 (B,138,95) IC	PM9009A	
	IC 601 (A,128,51) IC(UC)	PEG585A8	
	(A,128,51) IC(ES,CN5)	PEG586A8	
	IC 651 (A,149,45) EEPROM	BR25L320F-W	
	IC 661 (B,123,70) IC	S-80827CANNB-B8M	
	IC 701 (A,32,110) IC	TPS2551QDBVRQ1	
	IC 711 (B,99,20) IC	HA12241FP	
	IC 771 (B,149,18) IC	BA6288FS	
	IC 791 (B,40,70) IC	NJM2887DL3	
	IC 811 (A,37,30) DC-DC	NJM2360AM	
	IC 841 (B,45,125) IC	BD9007F	
	IC 871 (B,39,98) IC	NJM2885DL1-05	
	IC 881 (B,38,83) IC	NJM2885DL1-33	
	IC 901 (A,48,45) IC	R1172H121B	
	IC 902 (B,37,57) IC	BD9007F	
	IC 921 (B,101,136) IC	AN8015SH	
	IC 951 (A,78,120) IC	TPD1018F	
	Q 101 (A,70,55) Transistor	2SC3052-12	
	Q 102 (A,73,59) Transistor	2SD1767	
	Q 105 (A,95,54) Transistor(CN5)	DTC643TU	
	Q 451 (B,110,46) Chip Transistor	DTC124EUA	
	Q 452 (B,115,46) Chip Transistor	DTC124EUA	
	Q 453 (A,147,21) Transistor	UMD2N	

A

- Unit Number : CWN4137(UC)**
- Unit Number : CWN4138(ES)**
- Unit Number : CWN4140(CN5)**
- Unit Name : Tuner DSP Unit**

MISCELLANEOUS

IC 101 (A,63,53) IC	NJM431U	IC 771 (B,149,18) IC	BA6288FS
IC 103 (B,85,60) Logic IC	TC7SHU04FUS1	IC 791 (B,40,70) IC	NJM2887DL3
IC 104 (A,93,59) IC	TC7SH126FU	IC 811 (A,37,30) DC-DC	NJM2360AM
IC 151 (B,106,66) IC	AK5381VT	IC 841 (B,45,125) IC	BD9007F
IC 152 (B,102,52) IC	TC7PA53FU	IC 871 (B,39,98) IC	NJM2885DL1-05
IC 153 (B,108,52) IC	TC7PA53FU	IC 881 (B,38,83) IC	NJM2885DL1-33
IC 154 (B,108,58) IC	TC7SH08FUS1	IC 901 (A,48,45) IC	R1172H121B
IC 201 (A,80,39) IC	TC7SH08FUS1	IC 902 (B,37,57) IC	BD9007F
IC 202 (A,84,39) IC	TC7SH08FUS1	IC 921 (B,101,136) IC	AN8015SH
IC 203 (A,62,36) IC	TC7SH08FUS1	IC 951 (A,78,120) IC	TPD1018F
IC 204 (B,71,31) Audio DSP	D708E001BRFPA250	Q 101 (A,70,55) Transistor	2SC3052-12
IC 205 (B,90,37) Logic IC	TC7SHU04FUS1	Q 102 (A,73,59) Transistor	2SD1767
IC 206 (A,71,27) IC	PEH225A8	Q 105 (A,95,54) Transistor(CN5)	DTC643TU
IC 301 (B,59,67) IC	TC7SH08FUS1	Q 451 (B,110,46) Chip Transistor	DTC124EUA
IC 302 (A,60,68) IC	TC7SH08FUS1	Q 452 (B,115,46) Chip Transistor	DTC124EUA
		Q 453 (A,147,21) Transistor	UMD2N

	1	2	3	4
	<u>Circuit Symbol and No.</u>	<u>Part No.</u>	<u>Circuit Symbol and No.</u>	<u>Part No.</u>
A	Q 454 (A,124,26) Chip Transistor	DTC114EUA	D 732 (A,40,131) Diode	DAP202U
	Q 455 (B,106,9) Transistor	UMD2N	D 761 (A,89,8) LED	NHSW046-5779
	Q 501 (B,127,113) Transistor	IMH23	D 771 (B,151,23) Diode	1SS355
	Q 502 (B,118,113) Transistor	IMH23	D 772 (B,146,23) Diode	1SS355
	Q 503 (B,145,113) Transistor	IMH23	D 781 (B,24,68) Diode	HZU6L(B1)
■	Q 504 (B,136,113) Transistor	IMH23	D 782 (A,40,69) Diode	1SR154-400
	Q 505 (B,127,117) Transistor	IMH23	D 811 (A,43,29) Diode	RB411D
	Q 506 (B,118,117) Transistor	IMH23	D 812 (B,26,41) Diode	HZU9L(C2)
	Q 507 (B,145,117) Transistor	IMH23	D 821 (B,131,28) Diode	HZU7L(B2)
	Q 508 (B,136,117) Transistor	IMH23	D 831 (B,23,51) Diode	HZU7L(C3)
B	Q 561 (A,89,127) Transistor	UMD3N	D 841 (A,48,118) Diode	RB060L-40
	Q 562 (A,94,130) Transistor	2SC3052-12	D 842 (A,56,129) Diode	1SR154-400
	Q 661 (B,130,72) Transistor	2SC3052-12	D 851 (B,27,97) Diode	HZU9L(B3)
	Q 711 (B,19,117) Transistor	UMF23N	D 891 (B,50,29) Diode	HZU7L(B2)
	Q 761 (B,102,15) Chip Transistor	DTC114EUA	D 901 (A,42,60) Diode	RB060L-40
■	Q 781 (B,26,73) Transistor	UMD3N	D 902 (A,26,62) Diode	1SR154-400
	Q 782 (A,15,71) Transistor	2SD2396	D 921 (A,91,136) Diode	SC802-06
	Q 801 (A,95,21) Transistor	2SA1576A	D 941 (B,11,114) Diode	RB706F-40
	Q 802 (A,95,25) Chip Transistor	DTC114EUA	D 942 (B,14,118) Diode	HZU9L(C3)
	Q 811 (B,27,32) Transistor	2SD1760F5	D 943 (A,61,129) Diode	S1G-6904G2P
C	Q 812 (B,23,44) Transistor	UMD3N	D 944 (A,64,129) Diode	S1G-6904G2P
	Q 821 (B,138,23) Transistor	2SD1760F5	D 951 (A,87,118) Diode	S1G-6904G2P
	Q 822 (B,132,17) Transistor	UMD3N	D 952 (A,87,121) Diode	S1G-6904G2P
	Q 831 (A,15,54) Transistor	2SD2396	D 971 (B,24,116) Diode	1SS355
	Q 832 (B,26,55) Transistor	UMD3N	D 972 (B,42,38) Diode	HZU7L(C3)
■	Q 851 (A,15,101) Transistor	2SD2396	D 973 (B,48,44) Diode	HZU7L(A1)
	Q 852 (B,26,100) Transistor	UMD3N	D 981 (B,62,129) Diode	UDZSSR6(B)
	Q 861 (B,29,107) Transistor	2SB1708	D 991 (B,62,120) Diode	DAN202U
	Q 862 (B,26,107) Digital Transistor	DTC143EUA	L 101 (A,69,61) Inductor	CTF1473
	Q 891 (B,41,25) Transistor	2SD1760F5	L 103 (B,86,55) Inductor	CTF1473
D	Q 892 (B,49,33) Transistor	UMD3N	L 104 (A,96,60) Inductor	CTF1473
	Q 921 (B,101,127) Chip Transistor	DTC124EUA	L 151 (B,106,75) Inductor	CTF1473
	Q 922 (B,89,138) Transistor	2SA1797	L 152 (B,109,75) Inductor	CTF1473
	Q 923 (B,94,131) Transistor	UMZ1N	L 153 (B,105,52) Inductor	CTF1473
	Q 971 (B,30,114) Chip Transistor	DTC114EUA	L 154 (B,111,52) Inductor	CTF1473
■	Q 972 (B,44,46) Transistor	UMX1N	L 155 (B,111,59) Inductor	CTF1473
	Q 981 (B,60,126) Chip Transistor	DTC114EUA	L 201 (A,80,43) Inductor	CTF1473
	Q 991 (B,58,120) Transistor	2SA1235A-12	L 202 (A,84,43) Inductor	CTF1473
	D 441 (B,138,63) Diode	1SR154-400	L 203 (A,59,36) Inductor	CTF1473
	D 442 (B,138,66) Diode	1SR154-400	L 204 (A,63,43) Inductor	CTF1473
E	D 443 (B,138,70) Diode	1SR154-400	L 205 (B,70,46) Inductor	CTF1473
	D 451 (B,117,51) Diode	DAN202U	L 206 (A,70,43) Inductor	CTF1473
	D 452 (A,149,25) Diode	HZU3R9(B1)	L 207 (B,73,46) Inductor	CTF1473
	D 453 (A,120,25) Diode	RSB6R8S	L 208 (B,76,46) Inductor	CTF1473
	D 454 (A,116,25) Diode	RSB6R8S	L 209 (A,77,44) Inductor	CTF1473
■	D 455 (A,106,25) Diode Network	DA204U	L 210 (A,57,37) Inductor	CTF1473
	D 456 (B,109,9) Diode Network	DA204U	L 211 (B,58,35) Inductor	CTF1473
	D 457 (B,114,9) Diode Network	DA204U	L 212 (B,85,37) Inductor	CTF1473
	D 458 (A,110,24) Diode Network	DA204U	L 213 (A,86,35) Inductor	CTF1473
	D 459 (B,117,9) Diode Network	DA204U	L 214 (B,87,35) Inductor	CTF1473
■	D 460 (A,110,27) Diode Network	DA204U	L 215 (B,91,30) Inductor	CTF1473
	D 461 (B,120,9) Diode Network	DA204U	L 216 (A,58,32) Inductor	CTF1473
	D 501 (B,123,97) Diode	RB751V-40	L 217 (B,88,30) Inductor	CTF1473
	D 502 (B,148,97) Diode	RB751V-40	L 218 (B,58,30) Inductor	CTF1473
	D 561 (A,93,127) Diode	DAN202U	L 219 (B,58,27) Inductor	CTF1473
F	D 562 (A,77,127) Diode	1SS355	L 220 (A,57,25) Inductor	CTF1473
	D 563 (A,77,129) Diode	UDZS8R2(B)	L 221 (B,58,23) Inductor	CTF1473
	D 661 (B,126,70) Diode	1SS355	L 222 (A,58,20) Inductor	CTF1473
	D 701 (B,26,117) Diode	EMZC6.8N	L 223 (B,85,21) Inductor	CTF1473
	D 731 (A,40,128) Diode	RB715W	L 224 (A,85,21) Inductor	CTF1473

5		6		7		8	
<u>Circuit Symbol and No.</u>		<u>Part No.</u>		<u>Circuit Symbol and No.</u>		<u>Part No.</u>	
L 225	(A,64,17) Inductor	CTF1473		X 201	(B,93,36) Oscillator 24.576 MHz	CSS1699	
L 226	(B,65,17) Inductor	CTF1473		X 601	(A,128,68) Oscillator 20.000 MHz	CSS1785	
L 227	(A,70,18) Inductor	CTF1473		F 201	(B,88,27) EMI Filter	CCG1259	
L 228	(B,70,17) Inductor	CTF1473		VR921	(A,101,130) Semi-fixed 10 kohm(B)	CCP1448	A
L 229	(B,73,17) Inductor	CTF1473		P 401	(A,157,150) Surge Protector	IMSA-6801-01Y901	
L 230	(A,73,18) Inductor	CTF1473		P 551	(B,124,129) Poly Switch	MINISMDC075F/24	
L 231	(B,77,17) Inductor	CTF1473		△P921	(A,115,127) Fuse 0.5 A	CEK1278	
L 232	(A,77,18) Inductor	CTF1473		BZ601	(A,57,11) Buzzer	CPV1062	
L 233	(A,90,26) Inductor	CTF1473		CN451	(A,108,19) Connector	CKS4811	
L 301	(B,62,68) Inductor	CTF1473		CN551	(A,139,134) Plug	CKM1568	
L 302	(A,57,68) Inductor	CTF1473		CN701	(A,24,117) PH Connector 5P(SMT type)	AKM1276	
L 303	(A,52,68) Inductor	CTF1473		CN711	(A,17,131) Connector	CKS5271	
L 304	(B,80,65) Inductor	CTF1473		CN741	(A,101,39) 19P FFC Connector	VKN1311	
L 305	(A,77,67) Inductor	CTF1473		CN742	(A,101,60) Connector	CKS4824	B
L 306	(A,71,68) Inductor	CTF1473		CN771	(A,152,34) Plug	CKS-786	
L 307	(B,55,73) Inductor	CTF1473		CN941	(A,55,137) Plug	CKM1278	
L 308	(B,67,73) Inductor	CTF1473		JA731	(A,32,128) Connector	CKS4124	
L 309	(B,79,73) Inductor	CTF1473			FM/AM Tuner Unit	CWE2098	
L 310	(B,91,73) Inductor	CTF1473					
L 311	(B,50,91) Inductor	CTF1473					
RESISTORS							
L 312	(B,62,91) Inductor	CTF1473		R 101	(A,67,55)	RS1/16SS821J	
L 313	(B,74,91) Inductor	CTF1473		R 102	(A,67,50)	RS1/16SS1202D	
L 314	(B,86,91) Inductor	CTF1473		R 103	(A,68,53)	RS1/16SS271J	
L 315	(B,52,91) Inductor	CTF1473		R 104	(A,73,51)	RS1/16SS3901D	C
L 316	(B,64,91) Inductor	CTF1473		R 105	(A,73,55)	RS1/16SS472J	
L 317	(B,76,91) Inductor	CTF1473		R 112	(B,81,60)	RS1/16SS0R0J	
L 318	(B,88,91) Inductor	CTF1473		R 116	(B,89,61)	RS1/16SS0R0J	
L 351	(B,59,105) Inductor	CTF1473		R 117	(A,96,58)	RS1/16SS0R0J	
L 352	(B,48,99) Inductor	CTF1473		R 118	(A,95,52)ES	RS1/16SS0R0J	
L 353	(B,71,105) Inductor	CTF1473		R 151	(A,109,67)	RS1/16SS473J	
L 354	(B,61,99) Inductor	CTF1473		R 152	(B,101,61)	RS1/16SS473J	
L 355	(B,83,105) Inductor	CTF1473		R 153	(B,102,61)	RS1/16SS473J	
L 356	(B,73,99) Inductor	CTF1473		R 154	(B,103,61)	RS1/16SS473J	
L 357	(B,95,105) Inductor	CTF1473		R 155	(B,104,61)	RS1/16SS102J	
L 358	(B,85,99) Inductor	CTF1473		R 156	(B,105,61)	RS1/16SS0R0J	
L 401	(B,160,152) Inductor	LCTAW220J2520		R 157	(B,107,61)	RS1/16SS0R0J	D
L 402	(A,157,111) Chip Coil	LCTAW1R0J2520		R 158	(B,108,61)	RS1/16SS0R0J	
L 403	(A,160,102) Inductor	LCTAW2R2J3225		R 159	(B,109,61)	RS1/16SS330J	
L 404	(B,159,113) Inductor	CTF1473		R 161	(B,104,52)	RS1/16SS0R0J	
L 451	(A,151,19) Inductor	LCTC1R0K1608		R 162	(B,107,56)	RS1/16SS0R0J	
L 452	(A,120,27) Inductor	CTF1334		R 163	(B,110,52)	RS1/16SS0R0J	
L 453	(B,108,37) Inductor	LCTAW2R2J2520		R 164	(B,100,66)	RS1/10SR102J	
L 454	(A,116,27) Inductor	CTF1334		R 165	(B,102,67)	RS1/10SR472J	
L 601	(A,145,75) Chip Coil	LCTAW4R7J2520		R 166	(B,100,67)	RS1/10SR472J	
L 701	(A,23,111) Inductor	CTF1713		R 167	(B,100,70)	RS1/10SR102J	
L 711	(B,92,24) Inductor	LCTC3R3K2125		R 168	(B,102,70)	RS1/10SR472J	E
L 811	(A,45,33) Inductor	LCTAW2R2J3225		R 169	(B,100,72)	RS1/10SR472J	
L 812	(A,35,19) Inductor	CTF1660		R 175	(A,91,73)	RS1/16SS101J	
L 841	(A,39,119) Choke Coil 47 uH	CTH1420		R 176	(A,87,73)	RS1/16SS101J	
L 842	(B,47,121) Inductor	CTF1461		R 201	(A,80,37)	RS1/16SS0R0J	
L 881	(A,44,90) Chip Coil	LCTAW1R0J2520		R 202	(A,84,37)	RS1/16SS0R0J	
L 901	(A,52,54) Choke Coil 15 uH	CTH1431		R 203	(A,64,35)	RS1/16SS0R0J	
L 921	(A,90,141) Coil	CTH1267		R 204	(A,67,44)	RS1/16SS473J	
L 922	(B,95,143) Chip Coil	LCTAW100J2520		R 205	(A,68,44)	RS1/16SS473J	
L 923	(A,97,147) Coil	CTH1267		R 206	(A,65,45)	RAB4CQ473J	
L 924	(A,110,131) Coil	CTH1267		R 207	(A,82,40)	RS1/16SS473J	
L 925	(A,113,126) Inductor	CTF1473		R 208	(A,86,40)	RS1/16SS473J	F
L 981	(B,55,129) Inductor	CTF1295		R 209	(B,67,44)	RS1/16SS151J	
L 991	(B,65,123) Inductor	LCTAW2R2J2520		R 210	(B,68,44)	RS1/16SS151J	
X 101	(B,78,57) Oscillator 16.934 4 MHz	CWX3849					

	1	2	3	4
	<u>Circuit Symbol and No.</u>	<u>Part No.</u>	<u>Circuit Symbol and No.</u>	<u>Part No.</u>
	R 211 (B,65,45)	RAB4CQ151J	R 283 (A,77,35)	RS1/16SS473J
	R 212 (A,65,39)	RS1/16SS0R0J	R 284 (A,73,35)	RS1/16SS473J
A	R 213 (A,72,39)	RS1/16SS0R0J	R 285 (A,74,16)	RS1/16SS473J
	R 214 (A,73,39)	RS1/16SS0R0J	R 286 (A,75,16)	RS1/16SS473J
	R 215 (A,74,39)	RS1/16SS0R0J	R 301 (B,60,65)	RS1/16SS0R0J
	R 216 (A,75,39)	RS1/16SS0R0J	R 302 (A,61,66)	RS1/16SS0R0J
	R 217 (A,69,39)	RS1/16SS0R0J	R 303 (A,56,66)	RS1/16SS0R0J
	R 218 (A,77,39)	RS1/16SS0R0J	R 304 (B,77,68)	RS1/16SS0R0J
	R 219 (A,78,39)	RS1/16SS0R0J	R 305 (A,80,66)	RS1/16SS0R0J
	R 220 (B,77,44)	RS1/16SS0R0J	R 306 (A,75,66)	RS1/16SS0R0J
	R 221 (B,78,44)	RS1/16SS0R0J	R 307 (B,59,70)	RS1/16SS470J
	R 222 (B,79,44)	RS1/16SS0R0J	R 308 (A,60,71)	RS1/16SS470J
	R 223 (B,80,44)	RS1/16SS0R0J	R 309 (A,55,71)	RS1/16SS470J
B	R 224 (A,62,39)	RS1/16SS473J	R 310 (B,82,70)	RS1/16SS470J
	R 225 (A,63,39)	RS1/16SS221J	R 311 (A,80,71)	RS1/16SS470J
	R 226 (A,64,39)	RS1/16SS221J	R 312 (A,76,71)	RS1/16SS470J
	R 227 (A,66,39)	RS1/16SS473J	R 313 (B,52,74)	RS1/16SS0R0J
	R 228 (A,70,39)	RS1/16SS473J	R 314 (B,51,74)	RS1/16SS0R0J
	R 229 (B,57,41)	RS1/16SS221J	R 315 (B,50,74)	RS1/16SS0R0J
	R 230 (B,55,41)	RS1/16SS473J	R 316 (B,64,74)	RS1/16SS0R0J
	R 231 (B,57,40)	RS1/16SS221J	R 317 (B,63,74)	RS1/16SS0R0J
	R 232 (B,55,40)	RS1/16SS473J	R 318 (B,62,74)	RS1/16SS0R0J
	R 233 (A,78,37)	RS1/16SS0R0J	R 319 (B,76,74)	RS1/16SS0R0J
	R 234 (B,55,38)	RS1/16SS0R0J	R 320 (B,75,74)	RS1/16SS0R0J
C	R 235 (A,77,37)	RS1/16SS0R0J	R 321 (B,74,74)	RS1/16SS0R0J
	R 236 (B,55,37)	RS1/16SS0R0J	R 322 (B,88,74)	RS1/16SS0R0J
	R 237 (A,76,37)	RS1/16SS0R0J	R 323 (B,87,74)	RS1/16SS0R0J
	R 238 (A,75,37)	RS1/16SS473J	R 324 (B,86,74)	RS1/16SS0R0J
	R 239 (A,74,37)	RS1/16SS0R0J	R 325 (B,53,74)	RS1/16SS0R0J
	R 240 (A,73,37)	RS1/16SS0R0J	R 326 (B,65,74)	RS1/16SS0R0J
	R 241 (B,55,36)	RS1/16SS0R0J	R 327 (B,77,74)	RS1/16SS0R0J
	R 242 (A,72,37)	RS1/16SS0R0J	R 328 (B,89,74)	RS1/16SS0R0J
	R 243 (A,71,37)	RS1/16SS473J	R 333 (A,51,74)	RS1/16SS473J
	R 244 (B,55,34)	RS1/16SS330J	R 334 (A,55,74)	RS1/16SS473J
	R 245 (B,55,31)	RAB4CQ330J	R 335 (A,51,75)	RS1/16SS101J
D	R 246 (B,91,35)	RS1/16SS821J	R 336 (A,55,73)	RS1/16SS101J
	R 247 (B,85,32)	RS1/16SS220J	R 337 (A,51,73)	RS1/16SS101J
	R 248 (B,91,37)	RS1/16SS105J	R 338 (A,63,74)	RS1/16SS473J
	R 249 (B,55,28)	RAB4CQ330J	R 339 (A,67,74)	RS1/16SS473J
	R 250 (B,55,24)	RAB4CQ330J	R 340 (A,63,75)	RS1/16SS101J
	R 251 (B,84,29)	RS1/16SS392J	R 341 (A,67,73)	RS1/16SS101J
	R 252 (A,84,20)	RS1/16SS392J	R 342 (A,63,73)	RS1/16SS101J
	R 253 (A,84,19)	RS1/16SS392J	R 343 (A,75,74)	RS1/16SS473J
	R 262 (B,67,14)	RAB4CQ473J	R 344 (A,79,74)	RS1/16SS473J
	R 263 (B,70,14)	RAB4CQ473J	R 345 (A,75,75)	RS1/16SS101J
E	R 264 (B,73,14)	RAB4CQ330J	R 346 (A,79,73)	RS1/16SS101J
	R 265 (B,76,14)	RAB4CQ330J	R 347 (A,75,73)	RS1/16SS101J
	R 268 (B,81,17)	RS1/16SS330J	R 348 (A,87,74)	RS1/16SS473J
	R 271 (A,59,29)	RS1/16SS0R0J	R 349 (A,91,74)	RS1/16SS473J
	R 272 (A,58,29)	RS1/16SS473J	R 350 (A,87,75)	RS1/16SS101J
	R 273 (A,84,32)	RS1/16SS473J	R 353 (A,56,106)	RN1/16SE8201D
	R 274 (A,84,29)	RAB4CQ330J	R 354 (A,56,96)	RN1/16SE8201D
	R 275 (A,84,25)	RAB4CQ330J	R 355 (A,55,104)	RN1/16SE1502D
	R 276 (A,72,41)	RS1/16SS473J	R 356 (A,56,99)	RN1/16SE1502D
	R 277 (A,73,41)	RS1/16SS473J	R 357 (A,53,104)	RN1/16SE6800D
	R 278 (A,74,41)	RS1/16SS473J	R 358 (A,54,99)	RN1/16SE6800D
F	R 279 (A,75,41)	RS1/16SS473J	R 359 (A,50,106)	RN1/16SE8201D
	R 280 (A,77,41)	RS1/16SS473J	R 360 (A,50,96)	RN1/16SE8201D
	R 281 (A,78,41)	RS1/16SS473J	R 361 (A,51,104)	RN1/16SE6800D
	R 282 (A,78,35)	RS1/16SS473J	R 362 (A,53,99)	RN1/16SE6800D

5		6		7		8	
<u>Circuit Symbol and No.</u>		<u>Part No.</u>		<u>Circuit Symbol and No.</u>		<u>Part No.</u>	
R 363	(A,50,104)	RN1/16SE1502D		R 464	(A,116,30)	RS1/10SR223J	
R 364	(A,51,99)	RN1/16SE1502D		R 465	(B,129,36)	RS1/10SR102J	
R 365	(A,68,106)	RN1/16SE8201D		R 467	(B,106,13)	RS1/10SR683J	A
R 366	(A,68,96)	RN1/16SE8201D		R 468	(B,122,9)	RS1/10SR104J	
R 367	(A,67,104)	RN1/16SE1502D		R 469	(B,106,11)	RS1/10SR682J	
R 368	(A,68,99)	RN1/16SE1502D		R 470	(A,110,29)	RS1/10SR104J	
R 369	(A,65,104)	RN1/16SE6800D		R 471	(B,120,12)	RS1/10SR222J	
R 370	(A,66,99)	RN1/16SE6800D		R 472	(A,113,28)	RS1/10SR222J	
R 371	(A,62,106)	RN1/16SE8201D		R 473	(B,117,12)	RS1/10SR222J	
R 372	(A,62,96)	RN1/16SE8201D		R 474	(A,113,24)	RS1/10SR222J	
R 373	(A,63,104)	RN1/16SE6800D		R 475	(B,114,12)	RS1/10SR222J	
R 374	(A,65,99)	RN1/16SE6800D		R 476	(B,108,12)	RS1/10SR222J	
R 375	(A,62,104)	RN1/16SE1502D		R 477	(A,104,25)	RS1/10SR222J	
R 376	(A,63,99)	RN1/16SE1502D		R 478	(B,120,54)	RS1/10SR152J	B
R 377	(A,80,106)	RN1/16SE8201D		R 501	(B,122,87)	RS1/10SR3902D	
R 378	(A,80,96)	RN1/16SE8201D		R 502	(B,147,86)	RS1/10SR3902D	
R 379	(A,79,104)	RN1/16SE1502D		R 503	(B,122,102)	RS1/16SS101J	
R 380	(A,80,99)	RN1/16SE1502D		R 504	(B,145,105)	RS1/16SS101J	
R 381	(A,77,104)	RN1/16SE6800D		R 505	(B,122,103)	RS1/16SS101J	
R 382	(A,78,99)	RN1/16SE6800D		R 506	(B,145,104)	RS1/16SS101J	
R 383	(A,74,106)	RN1/16SE8201D		R 507	(B,122,104)	RS1/16SS101J	
R 384	(A,74,96)	RN1/16SE8201D		R 508	(B,145,103)	RS1/16SS101J	
R 385	(A,75,104)	RN1/16SE6800D		R 509	(B,112,104)	RN1/16SC39R0D	
R 386	(A,77,99)	RN1/16SE6800D		R 510	(B,110,104)	RN1/16SC39R0D	
R 387	(A,74,104)	RN1/16SE1502D		R 511	(B,108,104)	RN1/16SC39R0D	C
R 388	(A,75,99)	RN1/16SE1502D		R 512	(B,106,104)	RN1/16SC39R0D	
R 389	(A,92,106)	RN1/16SE8201D		R 513	(B,141,105)	RN1/16SC39R0D	
R 390	(A,92,96)	RN1/16SE8201D		R 514	(B,139,105)	RN1/16SC39R0D	
R 391	(A,91,104)	RN1/16SE1502D		R 515	(B,137,105)	RN1/16SC39R0D	
R 392	(A,92,99)	RN1/16SE1502D		R 516	(B,135,105)	RN1/16SC39R0D	
R 393	(A,89,104)	RN1/16SE6800D		R 517	(A,129,119)	RN1/16SC39R0D	
R 394	(A,90,99)	RN1/16SE6800D		R 518	(A,124,119)	RN1/16SC39R0D	
R 395	(A,86,106)	RN1/16SE8201D		R 519	(A,120,119)	RN1/16SC39R0D	
R 396	(A,86,96)	RN1/16SE8201D		R 520	(A,115,119)	RN1/16SC39R0D	
R 397	(A,87,104)	RN1/16SE6800D		R 521	(A,147,119)	RN1/16SC39R0D	
R 398	(A,89,99)	RN1/16SE6800D		R 522	(A,142,119)	RN1/16SC39R0D	D
R 399	(A,86,104)	RN1/16SE1502D		R 523	(A,138,119)	RN1/16SC39R0D	
R 400	(A,87,99)	RN1/16SE1502D		R 524	(A,133,119)	RN1/16SC39R0D	
R 402	(B,160,105)	RS1/10SR681J		R 525	(A,128,119)	RN1/16SE2202D	
R 406	(B,160,108)	RS1/10SR681J		R 526	(A,125,119)	RN1/16SE2202D	
R 407	(B,157,108)	RS1/10SR681J		R 527	(A,119,119)	RN1/16SE2202D	
R 408	(B,160,110)	RS1/10SR681J		R 528	(A,116,119)	RN1/16SE2202D	
R 409	(B,161,91)	RS1/16SS0R0J		R 529	(A,146,119)	RN1/16SE2202D	
R 410	(B,161,88)	RS1/16SS0R0J		R 530	(A,143,119)	RN1/16SE2202D	
R 411	(A,150,90)	RS1/10SR623J		R 531	(A,137,119)	RN1/16SE2202D	
R 412	(A,158,90)	RS1/10SR623J		R 532	(A,134,119)	RN1/16SE2202D	
R 417	(B,157,110)	RS1/10SR162J		R 561	(A,88,124)	RS1/10SR221J	E
R 431	(B,22,87)	RS1/10SR473J		R 562	(A,90,124)	RS1/10SR473J	
R 451	(B,120,56)	RS1/10SR473J		R 563	(A,90,131)	RS1/10SR103J	
R 452	(B,131,54)	RS1/10SR473J		R 564	(A,88,131)	RS1/10SR473J	
R 453	(B,120,53)	RS1/10SR152J		R 601	(A,135,66)	RS1/16SS104J	
R 454	(B,133,56)	RS1/10SR104J		R 602	(A,120,66)	RS1/16SS102J	
R 455	(B,112,46)	RS1/10SR473J		R 603	(A,129,65)	RS1/16SS331J	
R 456	(B,113,46)	RS1/10SR473J		R 604	(A,134,66)	RS1/16SS104J	
R 457	(A,147,23)	RS1/10SR561J		R 605	(A,132,66)	RS1/16SS103J	
R 458	(B,135,56)	RS1/10SR222J		R 606	(A,123,66)	RS1/16SS473J	
R 459	(B,138,56)	RS1/10SR104J		R 608	(A,121,66)	RS1/16SS222J	F
R 460	(B,120,33)	RS1/10SR102J		R 611	(A,142,56)	RS1/16SS104J	
R 461	(A,123,24)	RS1/10SR103J		R 612	(A,113,57)	RS1/16SS104J	
R 462	(A,120,30)	RS1/10SR223J		R 613	(A,113,56)	RS1/16SS473J	

	1		2		3		4	
	<u>Circuit Symbol and No.</u>		<u>Part No.</u>		<u>Circuit Symbol and No.</u>		<u>Part No.</u>	
	R 616	(A,113,48)	RS1/16SS103J		R 750	(B,98,43)	RS1/16SS221J	
	R 617	(A,142,50)	RS1/16SS473J		R 751	(B,98,42)	RS1/16SS221J	
A	R 618	(A,113,46)	RS1/16SS473J		R 752	(B,98,41)	RS1/16SS102J	
	R 619	(B,54,40)	RS1/16SS472J		R 753	(B,98,33)	RS1/16SS120J	
	R 620	(A,113,45)	RS1/16SS473J		R 754	(B,98,32)	RS1/16SS120J	
	R 621	(A,113,43)	RS1/16SS473J		R 761	(B,99,14)	RS1/10SR181J	
	R 623	(A,136,36)	RS1/16SS104J		R 771	(B,150,13)	RS1/16SS102J	
	R 624	(A,135,36)	RS1/16SS104J		R 772	(B,147,13)	RS1/16SS102J	
	R 625	(A,133,36)	RS1/16SS104J		R 773	(B,146,38)	RS1/16SS102J	
	R 628	(A,124,36)	RS1/16SS0R0J		R 774	(B,146,40)	RS1/16SS102J	
	R 629	(A,121,37)	RS1/16SS0R0J		R 781	(B,22,69)	RS1/10SR3302D	
	R 631	(A,113,55)	RS1/16SS0R0J		R 782	(B,22,73)	RS1/10SR102J	
	R 632	(A,113,54)	RS1/16SS681J		R 783	(B,23,73)	RS1/10SR102J	
B	R 633	(A,113,53)	RS1/16SS681J		R 791	(B,33,74)	RS1/10SR1003D	
	R 634	(A,143,45)	RS1/16SS473J		R 792	(B,31,74)	RS1/10SR1503D	
	R 635	(A,137,65)	RS1/16SS473J		R 793	(B,31,77)	RS1/10SR1502D	
	R 636	(A,113,58)	RS1/16SS102J		R 794	(B,32,68)	RS1/10SR0R0J	
	R 642	(A,115,64)	RS1/16SS104J		R 801	(A,100,24)	RS1/10SR473J	
	R 651	(A,130,36)	RAB4C681J		R 802	(A,92,24)	RS1/10SR272J	
	R 652	(B,151,44)	RS1/10SR104J		R 803	(A,92,21)	RS1/10SR103J	
	R 653	(B,148,44)	RS1/10SR104J		R 805	(A,94,18)	RS1/10SR0R0J	
	R 654	(B,149,44)	RS1/10SR104J		R 812	(A,31,33)	RS1/10SR1502D	
	R 655	(B,149,48)	RS1/10SR104J		R 813	(A,34,33)	RS1/10SR1301D	
	R 661	(B,128,74)	RS1/10SR222J		R 814	(A,36,34)	RS1/10SR0R0J	
C	R 662	(B,130,66)	RS1/16SS102J		R 815	(A,31,27)	RS1/10SR821J	
	R 663	(B,130,76)	RS1/16SS473J		R 816	(A,32,30)	RS1/10SR1R0J	
	R 664	(B,128,70)	RS1/10SR183J		R 817	(B,22,41)	RAB4C470J	
	R 701	(A,17,113)	RS1/10SR0R0J		R 821	(B,135,16)	RS1/10SR471J	
	R 702	(A,17,111)	RS1/10SR0R0J		R 822	(B,137,17)	RS1/10SR471J	
	R 703	(A,28,112)	RS1/10SR0R0J		R 823	(A,147,31)	RS1/10SR1R0J	
	R 704	(A,31,113)	RS1/10SR2402D		R 831	(B,22,56)	RS1/4SA471J	
	R 711	(B,93,15)	RS1/10SR150J		R 841	(B,44,116)	RS1/10SR471J	
	R 712	(B,90,15)	RS1/10SR470J		R 842	(B,50,121)	RS1/16SS4702D	
	R 713	(B,93,16)	RS1/10SR101J		R 843	(B,50,122)	RS1/16SS6801D	
	R 714	(B,90,16)	RS1/10SR101J		R 844	(B,52,121)	RS1/16SS1002D	
D	R 715	(A,9,122)	RS1/10SR180J		R 845	(B,51,124)	RS1/10SR3902D	
	R 716	(A,9,114)	RS1/10SR180J		R 846	(B,40,124)	RS1/16SS473J	
	R 717	(A,9,115)	RS1/10SR223J		R 847	(B,40,125)	RS1/16SS392J	
	R 718	(A,9,120)	RS1/10SR223J		R 848	(B,40,123)	RS1/16SS0R0J	
	R 719	(A,9,117)	RS1/10SR102J		R 852	(B,23,100)	RS1/10SR471J	
	R 720	(B,17,118)	RS1/10SR222J		R 853	(B,22,100)	RS1/10SR471J	
	R 721	(A,9,119)	RS1/10SR102J		R 861	(B,27,110)	RS1/10SR182J	
	R 722	(B,94,24)	RS1/10SR102J		R 862	(B,29,110)	RS1/10SR103J	
	R 723	(B,22,118)	RS1/10SR332J		R 891	(B,50,23)	RS1/10SR473J	
	R 724	(B,101,27)	RS1/10SR472J		R 892	(B,44,33)	RAB4C101J	
	R 725	(B,22,116)	RS1/10SR562J		R 893	(A,46,23)	RS1/10SR1R0J	
E	R 726	(B,102,27)	RS1/10SR472J		R 901	(B,39,49)	RS1/16SS6801D	
	R 731	(A,42,131)	RS1/10SR102J		R 902	(B,37,49)	RS1/16SS2202D	
	R 732	(A,38,131)	RS1/10SR102J		R 903	(B,36,48)	RS1/16SS2202D	
	R 733	(A,42,128)	RS1/10SR104J		R 904	(B,36,52)	RS1/10SR3902D	
	R 734	(A,143,53)	RS1/10SR103J		R 905	(B,37,63)	RS1/16SS473J	
	R 741	(B,93,45)	RS1/16SS473J		R 906	(B,37,64)	RS1/16SS392J	
	R 742	(B,95,40)	RS1/10SR104J		R 907	(B,33,62)	RS1/16SS0R0J	
	R 743	(B,93,46)	RS1/16SS472J		R 921	(B,103,128)	RS1/10SR3902D	
	R 744	(B,93,44)	RS1/16SS472J		R 922	(B,96,134)	RS1/10SR222J	
	R 745	(B,93,43)	RS1/16SS472J		R 923	(B,96,132)	RS1/10SR222J	
F	R 746	(B,93,42)	RS1/16SS472J		R 924	(B,104,130)	RS1/16SS0R0J	
	R 747	(B,98,46)	RS1/16SS221J		R 925	(B,102,130)	RS1/10SR5101D	
	R 748	(B,98,45)	RS1/16SS221J		R 926	(B,98,131)	RS1/10SR101J	
	R 749	(B,98,44)	RS1/16SS221J		R 927	(B,96,129)	RS1/10SR223J	

5		6		7		8	
<u>Circuit Symbol and No.</u>		<u>Part No.</u>		<u>Circuit Symbol and No.</u>		<u>Part No.</u>	
R 928	(B,106,138)	RS1/10SR3601D		C 213	(B,85,35)	CKSSYB104K16	
R 929	(B,91,128)	RS1/10SR681J		C 215	(B,88,35)	CKSSYB104K16	
				C 216	(B,85,33)	CKSSYB104K16	
R 930	(B,105,140)	RS1/10SR103J					
R 931	(B,102,142)	RS1/10SR1603D		C 217	(B,92,33)	CCSRCH9R0D50	A
R 932	(B,102,143)	RS1/10SR1502D		C 218	(B,58,32)	CKSSYB104K16	
R 933	(B,105,137)	RS1/10SR8201D		C 219	(B,58,31)	CKSSYB104K16	
R 934	(B,103,137)	RS1/10SR3302D		C 220	(B,85,30)	CKSSYB104K16	
				C 221	(B,92,39)	CCSRCH9R0D50	
R 941	(B,15,116)	RS1/10SR102J					
R 942	(B,15,114)	RS1/10SR1502D		C 222	(B,86,26)	CKSQYB106K6R3	
R 943	(B,11,117)	RS1/10SR1502D		C 223	(B,58,29)	CKSSYB104K16	
R 944	(B,17,113)	RS1/10SR2201D		C 224	(B,84,27)	CKSSYB104K16	
R 951	(A,73,121)	RS1/10SR103J		C 225	(B,58,25)	CKSSYB104K16	
				C 226	(B,58,24)	CKSSYB104K16	
R 971	(B,25,113)	RS1/10SR103J					
R 972	(B,42,43)	RS1/10SR104J		C 227	(B,60,21)	CKSSYB104K16	B
R 973	(B,47,48)	RS1/10SR103J		C 228	(B,85,23)	CKSSYB104K16	
R 974	(B,43,41)	RS1/10SR473J		C 229	(B,85,22)	CKSSYB104K16	
R 975	(B,47,46)	RS1/10SR473J		C 230	(B,63,17)	CKSSYB104K16	
				C 231	(B,64,17)	CKSSYB104K16	
R 976	(B,47,41)	RS1/10SR472J					
R 982	(B,57,126)	RS1/10SR104J		C 232	(B,67,17)	CKSSYB104K16	
R 983	(B,58,129)	RS1/10SR103J		C 233	(B,69,17)	CKSSYB104K16	
R 991	(B,55,119)	RS1/10SR102J		C 234	(B,71,17)	CKSSYB104K16	
R 992	(B,54,122)	RS1/10SR473J		C 235	(B,74,17)	CKSSYB104K16	
				C 236	(B,76,17)	CKSSYB104K16	
R 993	(B,58,123)	RS1/10SR223J					
R 994	(B,64,120)	RS1/10SR1502D		C 237	(B,80,17)	CKSSYB104K16	
				C 239	(A,86,26)	CKSSYB104K16	C
				C 240	(A,88,25)	CKSQYB106K6R3	
				C 241	(B,51,40)	CKSQYB106K6R3	
				C 242	(B,77,49)	CKSQYB106K6R3	
				C 243	(B,85,19)	CKSQYB106K6R3	
				C 244	(B,79,14)	CKSQYB106K6R3	
				C 301	(B,61,68)	CKSSYB104K16	
				C 302	(A,59,69)	CKSSYB104K16	
				C 303	(A,53,69)	CKSSYB104K16	
				C 304	(B,79,66)	CKSSYB104K16	
				C 305	(A,78,69)	CKSSYB104K16	
				C 306	(A,73,69)	CKSSYB104K16	D
				C 307	(B,57,72)	CKSRYB104K16	
				C 308	(B,69,72)	CKSRYB104K16	
				C 309	(B,81,72)	CKSRYB104K16	
				C 310	(B,90,71)	CKSRYB104K16	
				C 311	(B,57,74)	CKSQYB106K6R3	
				C 312	(B,69,74)	CKSQYB106K6R3	
				C 313	(B,81,74)	CKSQYB106K6R3	
				C 314	(B,93,74)	CKSQYB106K6R3	
				C 315	(B,57,76)	CKSSYB104K16	
				C 316	(B,69,76)	CKSSYB104K16	
				C 317	(B,81,76)	CKSSYB104K16	E
				C 318	(B,93,76)	CKSSYB104K16	
				C 323	(B,52,87)	CKSSYB104K16	
				C 324	(B,49,87)	CKSSYB104K16	
				C 325	(B,64,87)	CKSSYB104K16	
				C 326	(B,61,87)	CKSSYB104K16	
				C 327	(B,76,87)	CKSSYB104K16	
				C 328	(B,73,87)	CKSSYB104K16	
				C 329	(B,88,87)	CKSSYB104K16	
				C 330	(B,85,87)	CKSSYB104K16	
				C 331	(B,58,87)	CKSQYB106K6R3	F
				C 332	(B,70,87)	CKSQYB106K6R3	
				C 333	(B,82,87)	CKSQYB106K6R3	
				C 334	(B,94,87)	CKSQYB106K6R3	

CAPACITORS

	1	2	3	4
	<u>Circuit Symbol and No.</u>	<u>Part No.</u>	<u>Circuit Symbol and No.</u>	<u>Part No.</u>
	C 335 (B,53,89)	CKSQYB106K6R3	C 395 (B,82,104)	CKSRYB104K16
	C 336 (B,49,89)	CKSQYB106K6R3	C 396 (B,74,99)	CKSRYB104K16
	C 337 (B,65,89)	CKSQYB106K6R3	C 397 (B,94,104)	CKSRYB104K16
A	C 338 (B,61,89)	CKSQYB106K6R3	C 398 (B,86,99)	CKSRYB104K16
	C 339 (B,77,89)	CKSQYB106K6R3	C 401 (B,161,112)	CCSRCH470J50
	C 340 (B,73,89)	CKSQYB106K6R3	C 403 (B,159,103)	CKSRYB103K50
	C 341 (B,89,89)	CKSQYB106K6R3	C 404 (B,155,117)	CKSRYB103K50
	C 342 (B,85,89)	CKSQYB106K6R3	C 405 (A,153,103)	CEVW470M10
	C 343 (B,54,87)	CKSSYB104K16	C 407 (A,155,116)	CEVW101M10
	C 344 (B,66,87)	CKSSYB104K16	C 410 (A,160,107)	CKSRYB104K16
	C 345 (B,78,87)	CKSSYB104K16	C 411 (A,160,108)	CKSQYB475K10
	C 346 (B,90,87)	CKSSYB104K16	C 413 (B,158,91)	CKSRYB474K10
	C 347 (B,48,91)	CKSRYB104K16	C 414 (B,158,88)	CKSRYB474K10
B	C 348 (B,60,91)	CKSRYB104K16	C 415 (A,152,90)	CKSRYB102K50
	C 349 (B,72,91)	CKSRYB104K16	C 416 (A,157,90)	CKSRYB102K50
	C 350 (B,84,91)	CKSRYB104K16	C 417 (A,154,90)	CKSRYB474K10
	C 351 (A,56,111) 10 uF/16 V	CCH1934	C 418 (A,155,90)	CKSRYB474K10
	C 352 (A,56,92) 10 uF/16 V	CCH1934	C 419 (A,153,82)	CKSQYB225K16
	C 353 (B,54,107)	CCSRCH221J50	C 420 (A,156,81)	CKSRYB104K16
	C 354 (B,55,96)	CCSRCH221J50	C 421 (A,158,81)	CKSRYB105K10
	C 355 (A,50,111) 10 uF/16 V	CCH1934	C 423 (B,159,117)	CKSYB106K10
	C 356 (A,50,92) 10 uF/16 V	CCH1934	C 424 (B,161,93)	CKSRYB102K50
	C 357 (A,53,106)	CCSRCH821J50	C 431 (B,23,84)	CKSRYB102K50
	C 358 (A,53,96)	CCSRCH821J50	C 432 (A,26,82) 220 uF/16 V	CCH1780
C	C 359 (B,50,104)	CCSRCH221J50	C 433 (B,26,80)	CKSQYB225K16
	C 360 (B,52,96)	CCSRCH221J50	C 441 (A,156,96)	CEVW470M6R3
	C 361 (A,68,111) 10 uF/16 V	CCH1934	C 442 (B,145,77)	CKSQYB225K16
	C 362 (A,68,92) 10 uF/16 V	CCH1934	C 443 (B,144,66)	CKSRYB103K50
	C 363 (B,66,107)	CCSRCH221J50	C 444 (B,144,63)	CKSYB475K16
	C 364 (B,67,96)	CCSRCH221J50	C 451 (B,121,56)	CCSRCH100D50
	C 365 (A,62,111) 10 uF/16 V	CCH1934	C 452 (B,122,59)	CKSRYB105K10
	C 366 (A,62,92) 10 uF/16 V	CCH1934	C 453 (A,149,20)	CKSRYB103K50
	C 367 (A,65,106)	CCSRCH821J50	C 454 (B,134,59)	CKSQYB225K16
	C 368 (A,65,96)	CCSRCH821J50	C 455 (B,137,56)	CCSRCH681J50
	C 369 (B,62,104)	CCSRCH221J50	C 456 (A,142,20)	CEVW101M6R3
D	C 370 (B,64,96)	CCSRCH221J50	C 457 (B,117,41)	CKSRYB104K16
	C 371 (A,80,111) 10 uF/16 V	CCH1934	C 458 (B,105,37)	CKSYB106K10
	C 372 (A,80,92) 10 uF/16 V	CCH1934	C 459 (B,117,33)	CKSRYB105K10
	C 373 (B,78,107)	CCSRCH221J50	C 462 (B,123,45)	CKSRYB104K16
	C 374 (B,79,96)	CCSRCH221J50	C 463 (B,126,42)	CKSRYB105K10
	C 375 (A,77,106)	CCSRCH821J50	C 464 (A,120,28)	CKSRYB682K50
	C 376 (A,77,96)	CCSRCH821J50	C 465 (A,116,28)	CKSRYB682K50
	C 377 (A,74,111) 10 uF/16 V	CCH1934	C 466 (A,120,24)	CKSRYB221K50
	C 378 (A,74,92) 10 uF/16 V	CCH1934	C 467 (B,129,39)	CKSRYB105K10
	C 379 (B,74,104)	CCSRCH221J50	C 468 (A,117,24)	CKSRYB221K50
	C 380 (B,76,96)	CCSRCH221J50	C 469 (B,110,32)	CKSRYB471K50
E	C 381 (A,92,111) 10 uF/16 V	CCH1934	C 470 (B,110,30)	CKSRYB104K16
	C 382 (A,92,92) 10 uF/16 V	CCH1934	C 471 (B,110,12)	CKSRYB104K16
	C 383 (B,90,107)	CCSRCH221J50	C 501 (B,109,83)	CKSQYB225K16
	C 384 (B,91,96)	CCSRCH221J50	C 502 (A,111,77)	CKSQYB225K10
	C 385 (A,89,106)	CCSRCH821J50	C 503 (A,111,79)	CKSQYB225K10
	C 386 (A,89,96)	CCSRCH821J50	C 504 (A,111,81)	CKSQYB225K10
	C 387 (A,86,111) 10 uF/16 V	CCH1934	C 505 (A,111,83)	CKSQYB225K10
	C 388 (A,86,92) 10 uF/16 V	CCH1934	C 506 (B,114,83)	CKSQYB225K16
	C 389 (B,86,104)	CCSRCH221J50	C 507 (B,111,83)	CKSQYB225K16
	C 390 (B,88,96)	CCSRCH221J50	C 508 (B,106,84)	CKSRYB104K16
F	C 391 (B,58,104)	CKSRYB104K16	C 509 (B,104,84)	CKSRYB104K16
	C 392 (B,50,99)	CKSRYB104K16	C 510 (B,124,92)	CKSRYB104K16
	C 393 (B,70,104)	CKSRYB104K16	C 511 (B,150,92)	CKSRYB104K16
	C 394 (B,62,99)	CKSRYB104K16	C 512 (A,107,72)	CEVQW470M16

5		6		7		8	
<u>Circuit Symbol and No.</u>		<u>Part No.</u>		<u>Circuit Symbol and No.</u>		<u>Part No.</u>	
C 513	(A,101,72)	CEVQW470M16		C 815	(A,30,30)	CKSRYB104K16	
C 516	(A,116,90) 47 uF/16 V	CCH1940		C 816	(A,26,28)	CEVW101M16	
C 517	(B,121,92)	CKSRYB104K16		C 818	(A,26,39)	CEHVW470M16	
C 518	(A,138,91) 47 uF/16 V	CCH1940		C 819	(B,26,40)	CKSRYB103K50	A
C 519	(B,147,92)	CKSRYB104K16		C 821	(A,144,36)	CEVW220M16	
C 520	(A,100,85) 10 uF/25 V	CCH1939		C 822	(B,142,30)	CKSRYB104K16	
C 521	(A,126,85) 10 uF/25 V	CCH1939		C 823	(B,133,28)	CKSRYB224K16	
C 522	(A,100,91) 10 uF/25 V	CCH1939		C 831	(A,26,52) 100 uF/16 V	CCH1941	
C 523	(A,126,91) 10 uF/25 V	CCH1939		C 832	(B,22,59)	CKSRYB102K50	
C 526	(A,116,99) 47 uF/16 V	CCH1940		C 833	(B,22,51)	CKSRYB473K50	
C 527	(B,121,96)	CKSRYB104K16		C 842	(A,40,109) 220 uF/16 V	CCH1780	
C 528	(A,138,100) 47 uF/16 V	CCH1940		C 843	(B,51,123)	CKSSYB153K16	
C 529	(B,147,96)	CKSRYB104K16		C 845	(B,45,129)	CKSQYB225K16	
C 530	(A,100,97) 10 uF/25 V	CCH1939		C 846	(A,47,127) 220 uF/16 V	CCH1780	
C 531	(A,126,97) 10 uF/25 V	CCH1939		C 847	(A,43,114)	CKSQYB106K6R3	B
C 532	(A,100,103) 10 uF/25 V	CCH1939		C 851	(B,22,104)	CKSYB106K10	
C 533	(A,126,103) 10 uF/25 V	CCH1939		C 852	(B,23,97)	CKSRYB472K50	
C 534	(A,118,110) 10 uF/25 V	CCH1939		C 853	(B,25,96)	CKSYB475K16	
C 535	(A,112,110) 10 uF/25 V	CCH1939		C 861	(B,29,104)	CKSRYB102K50	
C 536	(A,106,110) 10 uF/25 V	CCH1939		C 862	(A,26,95) 220 uF/10 V	CCH1938	
C 537	(A,100,112) 10 uF/25 V	CCH1939		C 871	(A,40,100) 100 uF/16 V	CCH1935	
C 538	(A,145,110) 10 uF/25 V	CCH1939		C 872	(B,43,104)	CKSRYB104K16	
C 539	(A,139,110) 10 uF/25 V	CCH1939		C 873	(B,35,105)	CKSRYB104K16	
C 540	(A,133,110) 10 uF/25 V	CCH1939		C 874	(B,33,104)	CKSYB475K16	
C 541	(A,127,112) 10 uF/25 V	CCH1939		C 881	(A,43,87)	CKSRYB104K16	C
C 551	(B,125,126) UC,CN5	CKSRYB103K50		C 882	(A,37,84)	CEHVW101M6R3	
C 561	(A,83,127)	CEVW220M16		C 883	(A,37,91)	CEVW220M6R3	
C 601	(A,130,72)	CCSRCH8R0D50		C 884	(B,43,88)	CKSQYB225K16	
C 602	(A,126,72)	CCSRCH8R0D50		C 885	(B,34,88)	CKSRYB104K16	
C 603	(A,142,58)	CKSRYB104K16		C 886	(B,32,87)	CKSYB475K16	
C 604	(A,143,55)	CKSRYB102K50		C 891	(B,50,27)	CKSRYB473K50	
C 606	(A,142,70)	CEVW4R7M35		C 901	(A,53,43)	CKSQYB475K10	
C 607	(A,141,67)	CKSRYB103K50		C 902	(A,57,43)	CEVW221M4	
C 651	(A,145,48)	CKSRYB104K16		C 904	(A,44,45)	CKSQYB475K10	
C 661	(B,130,75)	CKSRYB104K16		C 905	(A,41,46)	CKSQYB106K6R3	
C 663	(B,131,70)	CKSRYB105K10		C 907	(A,42,53) 220 uF/16 V	CCH1780	D
C 701	(A,32,108)	CKSRYB105K16		C 908	(B,35,51)	CKSSYB153K16	
C 702	(A,35,108)	CKSRYB105K16		C 910	(B,41,57)	CKSQYB225K16	
C 703	(A,26,106)	CEHVW101M6R3		C 911	(A,34,53) 220 uF/16 V	CCH1780	
C 711	(A,8,129)	CKSRYB104K16		C 921	(B,103,134)	CCSRCH121J50	
C 714	(B,91,21)	CKSRYB104K16		C 922	(B,101,130)	CKSRYB224K16	
C 741	(A,93,39) UC,CN5	CKSRYB104K16		C 923	(B,96,128)	CKSRYB102K50	
C 741	(A,93,39) ES	CKSRYB103K16		C 924	(B,98,137)	CKSRYB104K16	
C 743	(A,94,30)	CKSRYB104K50		C 925	(B,97,138)	CKSRYB104K16	
C 771	(B,151,24)	CCSRCH101J50		C 926	(B,93,128)	CCSRCH390J50	
C 772	(B,147,27)	CKSRYB102K50		C 927	(B,95,138)	CKSYB475K16	E
C 773	(B,146,24)	CCSRCH101J50		C 928	(B,103,140)	CKSRYB473K50	
C 781	(A,26,70)	CEHVW470M6R3		C 929	(A,99,137) 120 uF/10 V	CCH1706	
C 782	(B,22,76)	CKSRYB103K50		C 930	(A,105,145) 47 uF/16 V	CCH1716	
C 783	(B,24,66)	CKSRYB472K50		C 931	(A,104,135)	CKSYB475K16	
C 784	(A,34,67) 470 uF/16 V	CCH1943		C 932	(B,86,130)	CKSYB475K16	
C 785	(A,47,67) 470 uF/16 V	CCH1943		C 934	(A,110,124) 10 uF	CCG1182	
C 792	(A,37,77) 47 uF/6.3 V	CCH1942		C 935	(A,101,122) 220 uF/10 V	CCH1938	
C 793	(B,33,77)	CKSQYB225K16		C 941	(B,13,113)	CKSRYB104K16	
C 794	(B,30,68)	CKSRYB474K10		C 942	(A,58,129) ES	CKSRYB103K50	
C 802	(A,97,20)	CKSRYB105K10		C 943	(A,77,140) 3 300 uF/16 V	CCH1931(P45)	
C 811	(A,50,34)	CKSYB475K25		C 951	(A,82,121)	CKSRYB104K16	F
C 812	(A,43,38)	CEVW470M25		C 952	(A,82,118)	CKSRYB473K50	
C 813	(A,31,32)	CKSRYB103K50		C 971	(B,27,114)	CKSRYB105K10	
C 814	(A,38,34)	CCSRCH331J50		C 972	(B,38,145)	CKSRYB104K16	
				C 981	(B,63,126)	CKSRYB104K16	

1
Circuit Symbol and No.

2
Part No.

3
Circuit Symbol and No.

4
Part No.

C 982 (B,52,128) CKSRYB104K16

R 1803 (B,90,32)
R 1804 (A,148,8)
R 1805 (B,126,19)
R 1812 (A,130,18)

RS1/10SR222J
RS1/10SR104J
RS1/10SR513J
RS1/10SR473J

B
Unit Number : CWN4130
Unit Name : Keyboard Unit

R 1813 (A,139,13)
R 1814 (A,137,13)
R 1815 (A,132,18)
R 1816 (A,135,13)
R 1817 (A,134,16)

RS1/10SR333J
RS1/10SR103J
RS1/10SR102J
RS1/10SR332J
RS1/10SR102J

MISCELLANEOUS

IC 1831 (B,40,20) IC BH2227AFV
IC 2001 (B,62,24) IC PEG588A8
IC 2051 (A,38,31) IC GP1UX31RK
IC 2071 (B,123,17) IC S-1200B33-M5
IC 2081 (A,108,23) IC PD8190A9

R 1818 (A,130,15)
R 1819 (A,132,12)
R 1820 (A,134,13)
R 1836 (B,134,16)
R 1837 (B,134,17)

RS1/10SR473J
RS1/10SR103J
RS1/10SR222J
RS1/10SR2200D
RS1/10SR2400D

Q 1833 (B,135,12) Transistor UMZ1N
Q 1834 (B,139,12) Transistor UMZ1N
Q 1835 (B,149,8) Transistor UMZ1N
Q 1836 (B,152,8) Transistor UMZ1N
Q 1837 (A,157,37) Transistor UMZ1N

R 1838 (B,141,12)
R 1839 (B,142,12)
R 1840 (B,137,13)
R 1841 (B,158,7)
R 1842 (B,159,5)

RS1/10SR2200D
RS1/10SR2400D
RS1/10SR3302D
RS1/10SR2200D
RS1/10SR1000D

Q 1838 (A,157,34) Transistor UMZ1N
Q 1853 (B,9,14) Transistor UMZ1N
Q 1854 (B,12,14) Transistor UMZ1N
Q 1855 (B,26,14) Transistor UMZ1N
Q 1856 (B,29,14) Transistor UMZ1N

R 1843 (B,160,8)
R 1844 (B,161,6)
R 1845 (B,155,13)
R 1846 (A,154,37)
R 1847 (A,153,37)

RS1/10SR2200D
RS1/10SR1000D
RS1/10SR3302D
RS1/10SR1200D
RS1/10SR1800D

Q 1857 (A,10,8) Transistor UMZ1N
Q 1858 (A,14,8) Transistor UMZ1N
Q 1871 (A,134,36) Chip Transistor DTC114EUA
D 1801 (B,87,35) Diode DAN202U
D 1802 (B,83,35) Diode DAP202U

R 1848 (B,158,37)
R 1849 (B,161,37)
R 1850 (A,143,34)
R 1856 (B,9,8)
R 1857 (B,9,6)

RS1/10SR1200D
RS1/10SR1800D
RS1/10SR3302D
RS1/10SR2200D
RS1/10SR2400D

D 1803 (A,38,17) Diode RSB6R8S
D 1804 (A,38,15) Diode RSB6R8S
D 1832 (A,5,22) LED NSSM025A-7478
D 1834 (A,36,22) LED NSSM025A-7478
D 1836 (A,134,22) LED NSSM025A-7478

R 1858 (B,12,7)
R 1859 (B,11,5)
R 1860 (B,10,18)
R 1861 (B,24,11)
R 1862 (B,24,9)

RS1/10SR2200D
RS1/10SR2400D
RS1/10SR3302D
RS1/10SR2200D
RS1/10SR1000D

D 1838 (A,165,22) LED NSSM025A-7478
D 1871 (A,139,38) LED SML-310VT
D 2001 (A,51,20) Diode 1SS355
L 1802 (A,64,6) Inductor CTF1379
L 1803 (A,64,7) Inductor CTF1379

R 1863 (B,27,11)
R 1864 (B,27,9)
R 1865 (B,31,12)
R 1866 (A,8,7)
R 1867 (A,6,7)

RS1/10SR2200D
RS1/10SR1000D
RS1/10SR3302D
RS1/10SR1200D
RS1/10SR1800D

L 1804 (B,56,6) Inductor CTF1379
L 1831 (B,44,25) Chip Coil LCTAW100J2520
L 2001 (A,74,7) Inductor CTF1389
L 2002 (A,74,8) Inductor CTF1389
L 2003 (B,73,6) Inductor CTF1389

R 1868 (A,17,9)
R 1869 (A,20,9)
R 1870 (A,12,8)
R 1871 (A,131,37)
R 1901 (A,69,28)

RS1/10SR1200D
RS1/10SR1800D
RS1/10SR3302D
RS1/10SR181J
RS1/10SR101J

X 2001 (B,48,23) Ceramic Resonator 16.000 MHz CSS1616
S 1801 (A,156,5) Push Switch CSG1155
S 1811 (A,149,22) Switch(ROTARY COMMANDER) CSX1065
S 1831 (A,20,22) Encoder(VOL) CSD1104
S 1832 (A,7,29) Push Switch CSG1155

R 1902 (A,69,32)
R 1903 (A,63,32)
R 2001 (B,58,13)
R 2002 (B,48,17)
R 2003 (A,54,20)

RAB4C101J
RS1/10SR101J
RS1/10SR104J
RS1/10SR472J
RS1/10SR473J

S 1833 (A,7,12) Push Switch CSG1155
S 1834 (A,163,37) Push Switch CSG1155
S 1835 (A,163,33) Push Switch CSG1155
S 1836 (A,163,16) Push Switch CSG1155
CN1801 (B,123,32) Connector CKS5662

R 2004 (A,54,24)
R 2005 (B,47,29)
R 2006 (B,47,31)
R 2007 (A,53,20)
R 2008 (A,55,28)

RS1/10SR103J
RS1/10SR102J
RS1/10SR102J
RS1/10SR154J
RAB4C473J

CN1901 (A,78,24) Connector CKS6036
JA1801 (A,37,6) Connector CKS5575
OEL Module MXS4001

R 2009 (A,59,26)
R 2010 (A,63,26)
R 2011 (A,66,28)
R 2013 (A,69,35)
R 2014 (B,73,35)

RAB4C473J
RAB4C473J
RS1/10SR473J
RS1/10SR101J
RAB4C101J

RESISTORS

R 1802 (B,89,36) RS1/10SR222J

R 2015 (B,80,30)

RS1/10SR101J

5
Circuit Symbol and No.

6
Part No.

R 2016	(B,76,29)	RAB4C101J
R 2017	(B,90,28)	RAB4C101J
R 2018	(B,93,19)	RAB4C101J
R 2019	(B,77,20)	RAB4C101J
R 2020	(B,77,16)	RAB4C101J
R 2021	(B,73,13)	RAB4C101J
R 2022	(B,73,9)	RAB4C101J
R 2023	(A,66,22)	RAB4C101J
R 2024	(B,108,7)	RS1/10SR221J
R 2025	(A,64,15)	RAB4C102J
R 2028	(A,47,28)	RS1/10SR473J
R 2029	(B,90,34)	RS1/10SR103J
R 2051	(B,43,14)	RS1/10SR2R2J
R 2052	(A,40,22)	RS1/10SR101J
R 2053	(A,40,24)	RS1/10SR103J
R 2061	(B,58,9)	RS1/10SR103J
R 2062	(B,66,6)	RS1/10SR103J
R 2071	(B,117,14)	RS1/10SR222J

CAPACITORS

C 1802	(A,130,29)	CKSRYB104K50
C 1805	(B,46,9)	CKSRYB104K50
C 1807	(B,131,15)	CKSRYB104K50
C 1811	(A,133,29)	CKSRYB102K50
C 1812	(A,133,30)	CKSRYB102K50
C 1832	(A,8,16)	CKSRYB103K50
C 1833	(A,6,17)	CKSRYB103K50
C 1835	(A,34,27)	CKSRYB103K50
C 1836	(A,34,25)	CKSRYB103K50
C 1838	(A,135,27)	CKSRYB103K50
C 1839	(A,133,27)	CKSRYB103K50
C 1841	(A,165,28)	CKSRYB103K50
C 1842	(A,163,28)	CKSRYB103K50
C 1843	(B,42,25) 10 uF	DCH1201
C 1904	(A,76,18)	CKSQYB105K25
C 1905	(A,74,18)	CKSQYB105K25
C 1906	(A,79,19)	CKSRYB105K16
C 1907	(A,71,15)	CKSRYB104K16
C 1908	(A,83,19)	CKSRYB104K50
C 2001	(B,47,27)	CKSRYB103K50
C 2002	(A,55,24)	CKSRYB104K16
C 2003	(B,74,25)	CKSRYB103K50
C 2004	(B,106,7)	CKSRYB102K50
C 2005	(A,60,16)	CKSRYB104K16
C 2051	(A,38,27)	CSZSR100M16
C 2061	(B,66,9)	CKSRYB103K50
C 2071	(B,126,17)	CKSRYB104K16
C 2072	(B,115,14)	CKSRYB104K16
C 2081	(A,119,26)	CKSRYB103K50

D

Unit Number : CWS1389
Unit Name : Switch Unit

S 1	(B,7,14) Switch(OPEN)	CSN1051
S 2	(B,29,12) Spring Switch(CLOSE)	CSN1052

C

Unit Number : CWX3763

7
Circuit Symbol and No.

8
Part No.

Unit Name : CD Core Unit(S10.5iPod-C)

MISCELLANEOUS

IC 201	(A,35,46) IC	PE5693A
IC 205	(B,24,49) IC	341S2162
IC 301	(A,28,15) IC	BA5839FP
Q 101	(B,58,69) Transistor	2SA1577
Q 102	(B,48,58) Chip Transistor	2SB1689
Q 201	(B,27,54) Transistor	2SA1577
X 201	(A,22,37) Ceramic Resonator	16.934 MHz CSS1603
X 205	(B,33,63) Oscillator	48.000 MHz CSS1753
S 901	(A,55,37) Switch(HOME)	CSN1067
S 903	(B,19,58) Switch(DSCSNS)	CSN1067
S 904	(B,40,68) Switch(12EJ)	CSN1068
S 905	(B,25,69) Switch(8EJ)	CSN1068
CN101	(A,55,56) Connector	CKS4808
CN701	(A,11,42) Connector	CKS5854
CN702	(A,12,19) Connector	CKS4981

RESISTORS

R 101	(B,61,74)	RS1/10SR2R4J
R 102	(B,61,72)	RS1/10SR2R4J
R 103	(B,61,71)	RS1/10SR2R7J
R 104	(B,53,66)	RS1/16SS222J
R 105	(B,44,57)	RS1/16SS102J
R 107	(B,52,60)	RS1/16SS105J
R 202	(A,27,32)	RS1/16SS473J
R 203	(A,51,44)	RS1/16SS473J
R 204	(A,23,58)	RS1/16SS221J
R 206	(B,10,26)	RS1/16SS104J
R 209	(B,18,52)	RS1/16SS103J
R 210	(B,10,23)	RS1/16SS102J
R 211	(B,34,26)	RS1/16SS221J
R 212	(B,32,25)	RS1/16SS221J
R 213	(A,29,31)	RS1/16SS221J
R 214	(B,49,50)	RS1/16SS472J
R 216	(B,48,49)	RS1/16SS472J
R 221	(A,51,48)	RS1/16SS103J
R 222	(A,51,46)	RS1/16SS103J
R 223	(B,13,43)	RS1/16SS473J
R 225	(A,50,50)	RS1/16SS103J
R 226	(A,50,51)	RS1/16SS393J
R 227	(B,47,51)	RS1/16SS562J
R 228	(B,44,51)	RS1/16SS122J
R 229	(B,46,53)	RS1/16SS472J
R 230	(B,21,25)	RS1/16SS0R0J
R 232	(B,45,51)	RS1/16SS122J
R 233	(B,26,59)	RS1/16SS103J
R 234	(B,22,26)	RS1/16SS473J
R 235	(A,26,59)	RS1/16SS473J
R 237	(A,24,35)	RS1/16SS151J
R 240	(B,14,26)	RS1/16S473J
R 241	(B,13,25)	RS1/16SS103J
R 242	(A,32,27)	RS1/16SS470J
R 244	(B,22,55)	RS1/16SS473J
R 246	(A,31,27)	RS1/16SS104J
R 249	(B,14,50)	RS1/16SS103J
R 250	(B,19,50)	RS1/16SS101J
R 252	(B,18,47)	RS1/16SS101J
R 254	(A,25,64)	RS1/16SS104J

	1	2
	<u>Circuit Symbol and No.</u>	<u>Part No.</u>
	R 255 (A,26,63)	RS1/16SS104J
	R 256 (A,25,62)	RS1/16SS104J
A	R 259 (A,27,66)	RS1/16SS0R0J
	R 260 (B,27,40)	RS1/16SS0R0J
	R 261 (A,26,65)	RS1/16SS104J
	R 262 (A,29,59)	RS1/16SS0R0J
	R 263 (A,27,63)	RS1/16SS0R0J
	R 273 (B,18,48)	RS1/16SS103J
	R 277 (B,18,50)	RS1/16SS103J
	R 282 (A,30,61)	RS1/16SS120J
	R 283 (A,29,61)	RS1/16SS120J
	R 284 (B,29,63)	RS1/16SS153J
	R 285 (B,28,63)	RS1/16SS153J
B	R 291 (B,42,62)	RS1/16SS272J
	R 292 (B,24,43)	RS1/16SS272J
	R 293 (B,27,52)	RS1/16SS472J
	R 294 (A,31,62)	RS1/16SS471J
	R 307 (A,35,19)	RS1/16SS183J
	R 308 (A,37,19)	RS1/16SS183J
	R 309 (A,35,21)	RS1/16SS183J
	R 310 (A,37,22)	RS1/16SS183J
	R 701 (B,11,37)	RS1/16SS221J
	R 702 (A,23,56)	RS1/16SS221J
	R 708 (B,15,37)	RS1/16S0R0J
C	R 712 (B,14,54)	RS1/16SS0R0J
	R 713 (B,14,53)	RS1/16SS0R0J

	3	4
	<u>Circuit Symbol and No.</u>	<u>Part No.</u>
	C 261 (B,33,66)	CCSSCH8R0D50
	C 262 (B,31,66)	CCSSCH8R0D50
	C 290 (B,26,45)	CKSSYB104K10
	C 293 (B,43,61)	CKSSYB102K50
	C 294 (B,24,41)	CKSSYB104K10
	C 303 (A,36,19)	CKSSYB472K25
	C 304 (A,36,21)	CKSSYB223K16
	C 307 (A,22,11)	CKSRYB104K16
	C 308 (B,11,18)	CKSRYB105K10
	C 703 (B,14,35)	CCSSCH101J50
	C 704 (B,11,36)	CKSSYB102K50
	C 711 (A,31,25)	CKSSYB104K10

Miscellaneous Parts List

- Pickup Unit(P10.5)(Service) CXX1942
- M 1 Motor Unit(SPINDLE) CXC7134
- M 2 Motor Unit(LOADING/CARRIAGE) CXC4026

CAPACITORS

	C 106 (B,56,67)	CKSQYB475K10
	C 202 (A,28,57)	CKSSYB104K10
	C 204 (A,23,59)	CKSSYB103K16
	C 205 (B,27,41)	CKSQYB475K10
	C 206 (A,23,40)	CKSSYB104K10
D	C 207 (A,24,37)	CKSRYB104K16
	C 210 (B,29,37)	CKSSYB104K10
	C 212 (A,28,30)	CKSRYB104K16
	C 213 (A,46,39)	CKSSYB104K10
	C 214 (A,29,33)	CKSSYB104K10
	C 216 (A,51,52)	CKSSYB332K50
	C 217 (A,48,51)	CKSSYB104K10
	C 218 (A,50,52)	CKSSYB473K10
	C 219 (A,47,53)	CKSSYB104K10
	C 220 (A,48,53)	CKSSYB182K50
E	C 221 (A,46,54)	CKSSYB104K10
	C 222 (B,45,53)	CCSSCH560J50
	C 223 (B,47,53)	CCSSCH4R0C50
	C 224 (A,44,55)	CKSSYB104K10
	C 226 (A,42,59)	CCSSCH680J50
	C 227 (A,42,61)	CCSSCH470J50
	C 228 (B,41,61)	CKSSYB103K16
	C 229 (B,48,60)	CKSSYB104K10
	C 236 (A,49,58)	CKSSYB104K10
	C 239 (B,46,51)	CCSSCH220J50
	C 240 (A,38,61)	CKSSYB104K10
	C 243 (B,22,41)	CKSQYB475K10
F	C 250 (A,52,48)	CKSSYB102K50
	C 251 (A,52,46)	CKSSYB102K50
	C 260 (A,28,61)	CKSSYB104K10