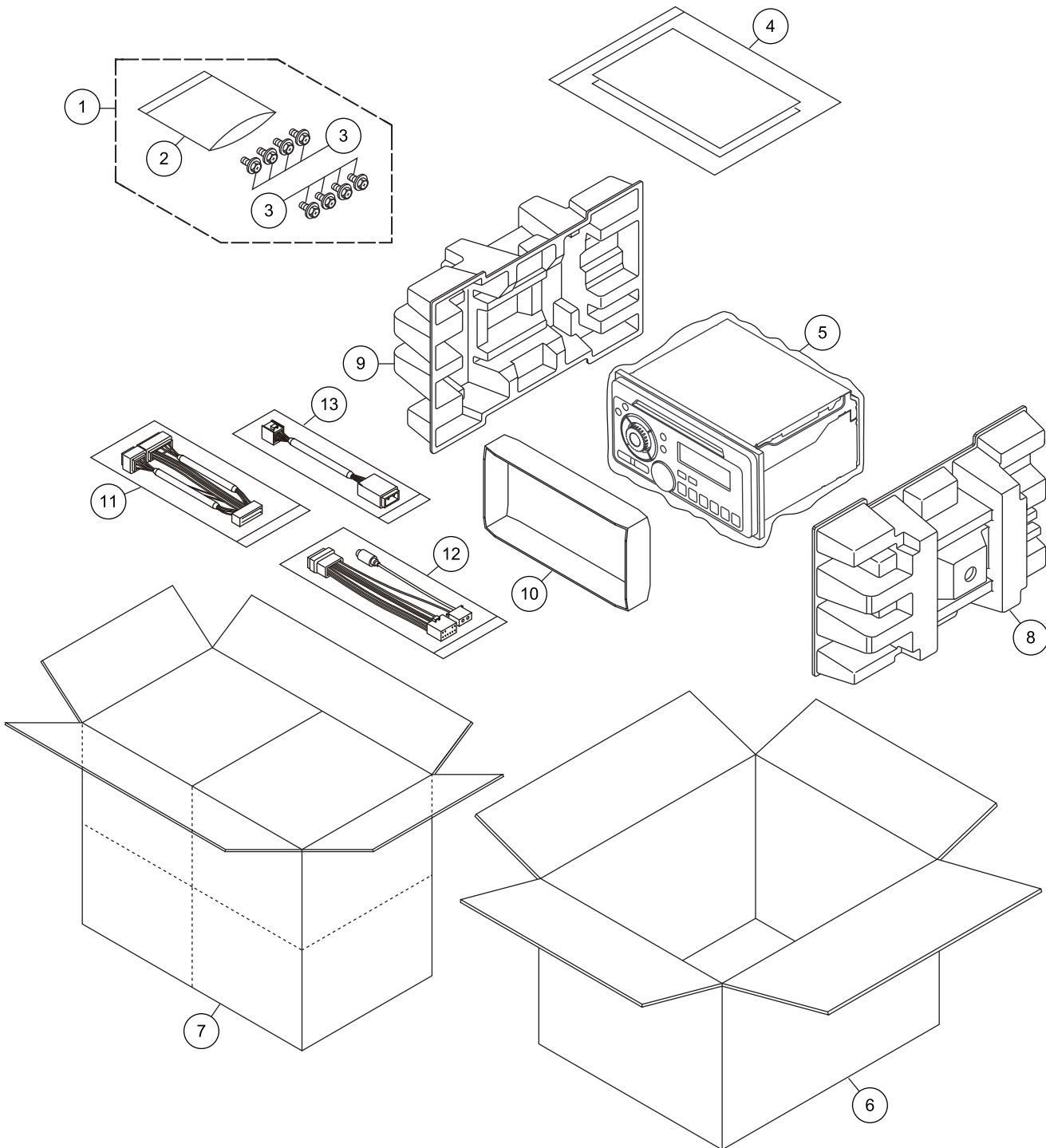


9. EXPLODED VIEWS AND PARTS LIST

- NOTES :
- Parts marked by "*" are generally unavailable because they are not in our Master Spare Parts List.
 - The ⚠ mark found on some component parts indicates the importance of the safety factor of the part. Therefore, when replacing, be sure to use parts of identical designation.
 - Screw adjacent to ∇ mark on the product are used for disassembly.
 - For the applying amount of lubricants or glue, follow the instructions in this manual. (In the case of no amount instructions, apply as you think it appropriate.)

9.1 PACKING

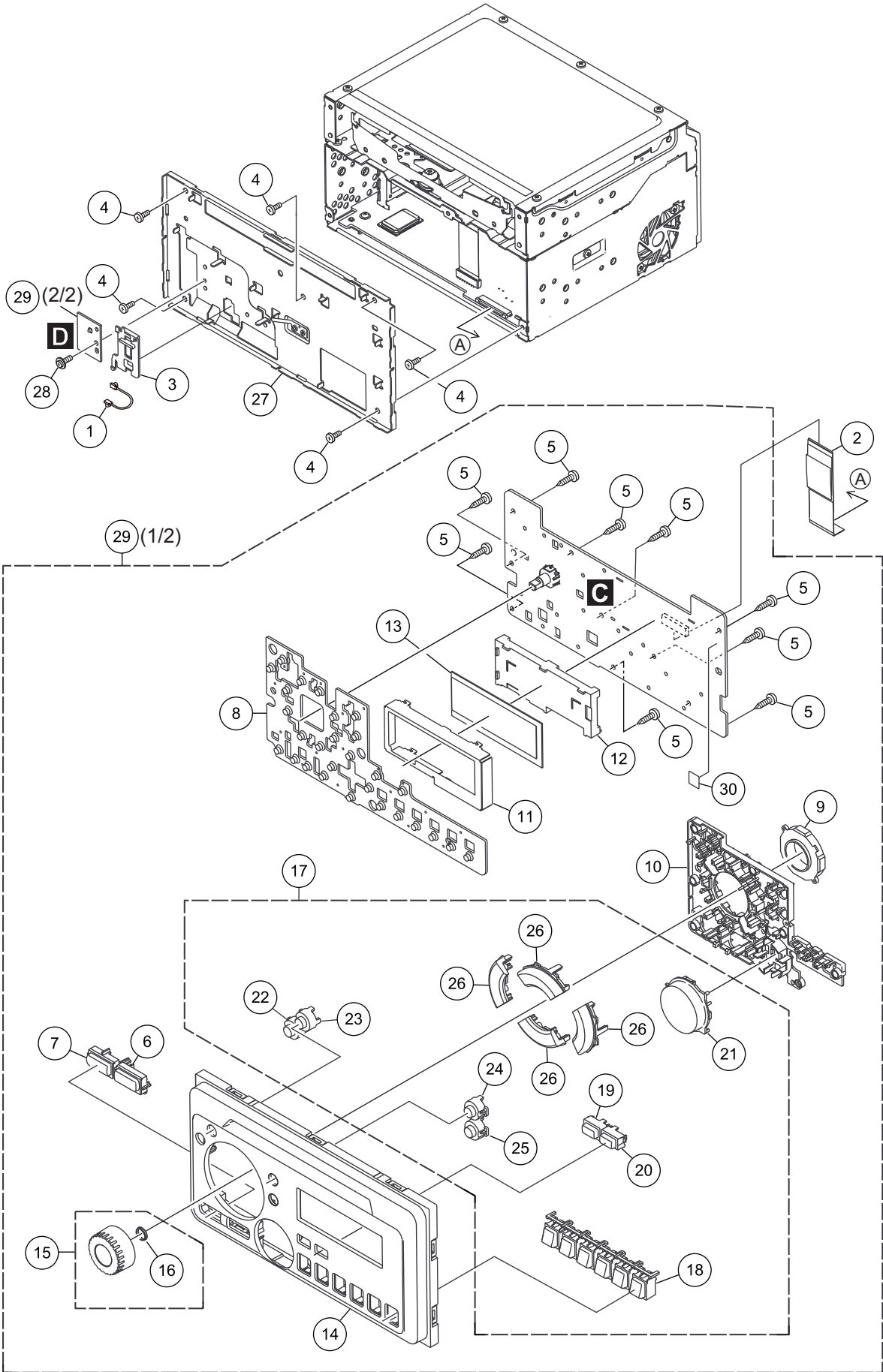


PACKING SECTION PARTS LIST

<u>Mark No.</u>	<u>Description</u>	<u>Part No.</u>	
1	Screw Assy	CEA3954	
* 2	Polyethylene Bag	CEG-127	A
3	Screw	HMF50P080FTC	
4-1	Polyethylene Bag	CEG1116	
4-2	Owner's Manual(English)	CRB3644	
* 5	Polyethylene Bag	CEG1322	
6	Unit Box	CHA3312	
7	Contain Box	CHL7521	
8	Protector	CHP4179	
9	Protector	CHP4180	
10	Protector	YHP5034	B
11	MBL CMPX CONN-Cord Assy	CDP1420	
12	MBL CMPX CONN-Cord Assy	CDP1421	
13	MBL CMPX CONN-Cord Assy	CDP1422	

A
B
C
D
E
F

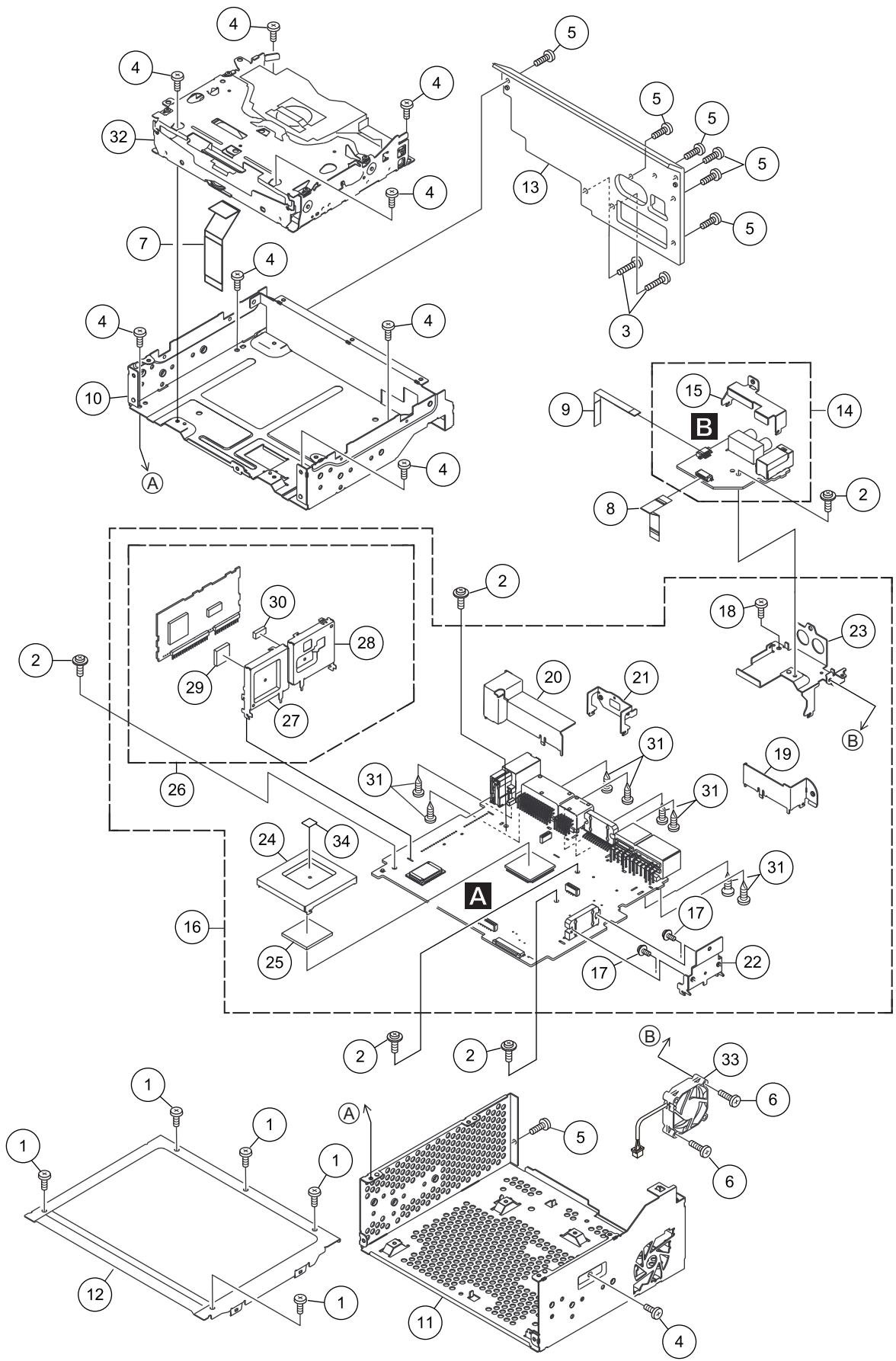
9.2 EXTERIOR (1)



DEH-8018ZT/XUUC

<u>Mark No.</u>	<u>Description</u>	<u>Part No.</u>	
1	Cord Assy	CDE8893	
2	FFC/FPC Connector	CDE9352	A
3	Holder	CNW1386	
4	Screw	BSZ26P050FTC	
5	Screw	BPZ20P100FTC	
6	Button(END)	CAI3243	
7	Button(CALL)	CAI3244	
8	Rubber	CNW2078	
9	Lighting Conductor	CNW2093	
10	Holder	CNW2232	
11	Holder	CND5883	B
12	Holder Unit	CXE4370	
13	OEL Module (V1500)	MXS4020	
14	Grille Unit	CXE3851	
15	Knob Unit	CXE3853	
16	Spring	YBL5010	
17	Service Button Unit	CXX3479	
18	Service Button(1-6)	CXX3184	
19	Service Button(SCAN)	CXX3185	
20	Service Button(TEXT)	CXX3186	C
21	Service Button(CROSS)	CXX3187	
22	Service Button(POWER)	CXX3188	
23	Service Button(EJECT)	CXX3189	
24	Service Button(LIST)	CXX3190	
25	Service Button(ESC)	CXX3191	
26	Service Button(ROTARY)	CXX3192	
27	Frame Unit	CXE3852	
28	Screw	ASZ26P060FTC	
29	Panel Assy	CPN4268	D
30	Sub Label Unit	CEC5851	

9.3 EXTERIOR (2)



CD MECHANISM MODULE SECTION PARTS LIST

<u>Mark No.</u>	<u>Description</u>	<u>Part No.</u>	<u>Mark No.</u>	<u>Description</u>	<u>Part No.</u>
1	Spring	CBH3090	50	Damper	CNW1198
2	Screw	BSZ20P040FTC			
3	Screw(M2 x 4)	CBA1835	51	Arm	CNW1726
4	Washer	CBF1038	52	Motor Unit(M2)(LOAD/CRG)	CXC4026
5	Spring	CBH3010	53	Screw Unit	CXC8894
			54	Arm Assy	CXC8896
6	Spring	CBH2855	55	Washer	CBF1037
7	Spring	CBH2856			
8	Spring	CBH2860	56	Washer	CBF1038
9	Sheet	CNN3693	57	Arm	CND4554
10	Spring	CBH3011	58	Collar	CNV6906
			59	Roller	CNW1196
11	Spring	CBH3012	60	Gear Unit	CXC8893
12	Spring	CBH3014			
13	Spring	CBH3015	61	Washer	YE15FTC
14	Spring	CBH3016	62	Chassis Unit	CXE3818
15	Spring	CBH3017	63	Motor Unit(M1)(SPDL)	CXE3767
			64	Screw	JFZ20P025FTC
16	Spring	CBH3086	65	Screw	JGZ17P022FTC
17	Spring	CBH3019			
18		66	Screw	EBA1028
19	Spring	CBL1822	67	CD Core Unit (S11STD-T)	CWX3937
20	Pickup Unit(P10.5)(Service)	CXX1942			
21	Bracket	CND4553			
22	Arm	CND4555			
23	Frame	CND4557			
24	Frame	CND5880			
25	Lever	CND5398			
26	Sheet	CNN2280			
27	Rack	CNV8342			
28	Guide	CNW2141			
29	Roller	CNW1172			
30	Arm	CNW2042			
31	Arm	CNW1174			
32	Roller	CNW1175			
33	Lever	CNW1176			
34	Arm	CNW1177			
35	Arm	CNW1178			
36	Gear	CNW1180			
37	Gear	CNW1181			
38				
39	Gear	CNW1183			
40	Rack	CNW1184			
41	Gear	CNW1185			
42	Gear	CNW1186			
43	Gear	CNW1187			
44	Gear	CNW1188			
45	Clamper	CNW1190			
46	Arm	CNW1192			
47	Holder	CNW1193			
48	Holder	CNW1194			
49	Damper	CNW1197			

12. ELECTRICAL PARTS LIST

NOTE:

- Parts whose parts numbers are omitted are subject to being not supplied.
- The part numbers shown below indicate chip components.

Chip Resistor

RS1/OS○○○○J,RS1/○○S○○○○J

Chip Capacitor (except for CQS.....)

CKS....., CCS....., CSZS.....

- The \triangle mark found on some component parts indicates the importance of the safety factor of the part. Therefore, when replacing, be sure to use parts of identical designation.
- Meaning of the figures and others in the parentheses in the parts list.

Example) IC 301 is on the point (face A, 91 of x-axis, and 111 of y-axis) of the corresponding PC board.

IC 301 (A, 91, 111) IC NJM2068V

<u>Circuit Symbol and No.</u>	<u>Part No.</u>	<u>Circuit Symbol and No.</u>	<u>Part No.</u>
Unit Number : CWN6077		IC 912 (B,127,56) IC	BH12PB3WHFV
Unit Name : Main Unit		IC 913 (A,36,96) IC	NJM2872BF05
Unit Number : CWN5553		IC 914 (A,41,98) IC	NJM2872BF05
Unit Name : Sub Assy		IC 915 (A,140,76) Regulator IC	NJM2846DL3-33
Unit Number : CWX3937		IC 916 (A,55,60) Regulator IC	BD9781HFP
Unit Name : CD Core Unit(S11STD-T)		IC 918 (A,27,59) Regulator IC	NJM2846DL3-33
Unit Number :		IC 919 (A,31,81) Regulator IC	S-1172B11-E6
Unit Name : Keyboard Unit		IC 1601 (A,91,37) IC	R5S72624P144FP
		IC 1701 (B,92,54) IC	IS45S16400F-7TLA1
		IC 1702 (B,89,34) Flash Memory IC	PEH318A8
		IC 2601 (B,82,19) IC	341S2313
		IC 2602 (B,71,20) IC	MX25L1633EM2S-10G
		IC 2603 (A,37,29) Component module	CWW2850
		IC 2604 (B,55,17) IC	AK4633VN
Keyboard Unit		IC 2701 (B,152,8) IC	TC7SH08FUS1
Consists of		Q 101 (B,51,93) Transistor	UMH3N
Keyboard PCB		Q 102 (B,45,93) Transistor	RN4987
BT ANT PCB		Q 103 (B,115,112) Transistor	LTC143EUB
		Q 104 (B,111,111) Transistor	2SD1781K
		Q 105 (B,107,118) Transistor	2SC4154-11
		Q 107 (A,109,75) Transistor	ISA1602AM1
		Q 108 (A,108,71) Transistor	ISA1602AM1
		Q 110 (A,101,63) Transistor	2SC4154-11
		Q 112 (B,106,109) Transistor	ISA1602AM1
		Q 113 (B,108,114) Transistor	LTC144EUB
		Q 201 (A,55,100) Chip Transistor	RN4982
		Q 601 (B,99,77) Transistor	2SD2318F5
		Q 801 (B,138,102) Transistor	2SC4154-11
		Q 803 (A,110,95) Transistor	ISA1602AM1
		Q 805 (B,141,99) Transistor	ISA1602AM1
		Q 808 (B,131,107) Transistor	2SC4154-11
		Q 901 (B,152,27) Transistor	2SC4154-11
		Q 902 (B,157,19) Transistor	2SB1260
		Q 906 (B,161,88) Transistor	2SD1767
		Q 908 (B,139,75) Transistor	RN4987
		Q 909 (B,136,70) Chip Transistor	2SB1689
		Q 911 (A,129,60) Transistor	2SB1132
		Q 912 (B,144,57) Transistor	2SA2126
		Q 913 (B,155,58) Transistor	ISA1602AM1
		Q 914 (B,156,63) Transistor	2SC4154-11
		Q 915 (B,154,66) Transistor	2SC4154-11
MISCELLANEOUS			
IC 101 (B,48,103) IC	NJM4558MD		
IC 102 (A,47,121) IC	HA12241FP		
IC 103 (A,95,145) IC	TDA7388A		
IC 201 (A,57,106) IC	AK4388VT		
IC 603 (A,89,87) IC	PN5046A8		
IC 901 (A,148,34) Regulator IC	BD9781HFP		
IC 902 (A,167,55) Regulator IC	TB2940HQ		
IC 903 (A,160,87) IC	S-812C56AUA-C3K		
IC 904 (B,132,50) IC	S-80930CNMC-G80		
IC 905 (B,138,62) IC	S-1167B34-M5		
IC 906 (B,44,50) Regulator IC	NJM2846DL3-33		
IC 907 (A,131,80) IC	R5523N001B		
IC 908 (B,139,81) IC	S-80930CNMC-G80		
IC 909 (A,128,55) IC	S-1167B34-M5		
IC 910 (B,133,60) IC	S-1167B34-M5		
IC 911 (B,27,54) IC	NJM2886DL3-15		

1

2

3

4

Circuit Symbol and No.**Part No.****Circuit Symbol and No.****Part No.**

Q 916	(A,35,103) Transistor	2SA2018	L 908	(A,51,76) Chip Ferrite Bead	VTL1183
Q 917	(A,40,103) Transistor	LTC144EUB	L 909	(A,40,72) Inductor	CTH1255
D 101	(B,109,111) Diode	HZU8R2(B3)	L 1601	(A,113,25) Inductor	CTF1786
A					
D 102	(A,55,123) Diode	UDZS18(B)	L 1602	(A,110,50) Chip Ferrite Bead	OTL8019
D 103	(A,61,123) Diode	UDZS18(B)	L 1603	(A,71,44) Inductor	CTF1735
D 201	(A,59,99) Diode	1SS352	L 1604	(A,73,43) Inductor	CTF1735
D 202	(A,59,101) Diode	1SS352	L 1605	(A,71,43) Inductor	CTF1735
D 203	(A,55,97) Diode	1SS352	L 1701	(B,79,58) Inductor	CTF1786
D 607	(B,103,83) Diode	1SS352	L 2601	(B,81,24) Inductor	QTL1013
D 801	(B,124,126) Diode	1SS352	L 2602	(A,131,12) Inductor	CTF1745
D 803	(A,72,124) Diode	1SS352	L 2604	(B,65,15) Inductor	CTF1735
D 804	(A,40,125) Diode	1SS352	L 2605	(A,25,37) Inductor	CTF1735
D 805	(A,38,119) Diode	1SS352	L 2616	(A,114,21) Inductor	CTF1735
B					
D 807	(A,38,118) Diode	1SS352	L 2617	(A,115,21) Inductor	CTF1735
D 808	(A,38,116) Diode	1SS352	L 2618	(A,116,21) Inductor	CTF1735
D 809	(B,60,120) Diode	1SS352	TH701	(A,124,93) Thermister	CCX1062
D 810	(B,60,123) Diode	UDZS18(B)	X 602	(A,82,105) Oscillator 16.93 MHz	CSS1794
D 811	(B,41,142) Diode	UDZS18(B)	X 603	(A,110,85) Oscillator 4.687 5 MHz	CSS1765
D 812	(B,38,142) Diode	UDZS18(B)	X 1601	(A,110,36) Oscillator 48.000 MHz	CSS1760
D 816	(A,154,107) Diode	ST70-27F	F 601	(B,71,85) Chip EMI Filter	DTL1106
D 901	(A,135,72) Diode	1SR154-400	F 602	(B,71,82) Chip EMI Filter	DTL1106
D 902	(B,151,21) Diode	1SS352	F 900	(A,25,70) EMI Filter	CCG1294
D 903	(B,144,52) Diode	1SR154-400	F 902	(A,75,106) Chip EMI Filter	DTL1106
D 904	(A,135,32) Diode	CMS05	F 903	(B,76,74) Chip EMI Filter	DTL1106
D 907	(B,165,87) Diode	UDZS11(B)	F 904	(A,37,56) EMI Filter	CCG1294
D 908	(A,39,48) Diode	1SR154-400	F 905	(A,25,79) EMI Filter	CCG1294
D 910	(A,132,72) Diode	RF101L2S	FU801	(A,87,118) Fuse 5 A	CEK1195
D 911	(B,153,71) Diode	1SS352	⚠P402	(A,25,118) Surge Protector	IMSA-6802-01Y900
D 912	(B,155,71) Diode	1SS352	U 401	(A,17,74) WWR C-TUN UNIT	CWE2294
D 913	(B,132,53) Diode	1SR154-400	CN401	(A,8,89) Connector	CKS5561
D 914	(B,27,123) Diode	1SR154-400	CN601	(A,75,15) Connector	CKS5561
D 915	(B,23,123) Diode	1SR154-400	CN801	(A,138,147) Connector	CKM1458
D 916	(B,156,106) Diode	1SR154-400	CN802	(A,40,144) Plug	CKM1514
D 917	(B,156,99) Diode	1SR154-400	CN901	(A,159,77) Connector	VKN1928
D 918	(B,153,106) Diode	1SR154-400	CN1601	(A,87,15) Connector	CKS5561
D 921	(A,161,83) Diode	UDZS16(B)	CN2601	(A,126,86) Connector	CKS3849
D 922	(B,154,68) Diode	UDZS10(B)	CN2602	(A,111,15) Connector	CKS3857
D 923	(B,147,80) Diode	CMS03	CN2701	(A,143,6) Connector	CKS6238
D 924	(A,137,61) Diode	CRG03	CN2702	(A,68,118) Connector	CKS3847
D 925	(A,156,56) Diode	1SS352	JA401	(A,15,141) Connector	CKS5700
D 926	(A,30,71) Diode	1SR154-400	JA801	(A,68,148) Connector	CKM1466
D 928	(A,48,74) Diode	CMS05	JA2601	(A,13,10) Connector	CKS5058
D 929	(B,46,82) Diode	CMS03			
D 930	(A,39,81) Diode	1SR154-400			
L 201	(A,55,102) Chip Coil	LCTAW4R7J2520	R 101	(B,43,97)	RS1/10SR123J
L 404	(A,7,49) Chip Coil	LCTAW1R0J2520	R 102	(B,53,97)	RS1/10SR123J
L 405	(A,30,104) Chip Coil	LCTAW1R0J2520	R 103	(B,43,98)	RS1/10SR102J
L 406	(A,26,92) Chip Coil	LCTAW1R0J2520	R 104	(B,53,98)	RS1/10SR102J
L 601	(B,72,86) Inductor	CTF1786	R 105	(B,46,99)	RS1/10SR3002D
L 602	(B,72,94) Inductor	CTF1786	R 106	(B,50,99)	RS1/10SR3002D
L 603	(A,73,78) Inductor	CTF1389	R 107	(B,46,98)	RS1/10SR3002D
L 604	(A,90,105) Inductor	CTF1786	R 108	(B,50,98)	RS1/10SR3002D
L 607	(A,77,70) Inductor	CTF1389	R 109	(B,43,102)	RS1/10SR1502D
L 608	(A,79,70) Chip Ferrite Bead	BTX1047	R 110	(B,53,103)	RS1/10SR1502D
L 610	(A,103,106) Inductor	CTF1473	R 111	(B,46,107)	RS1/10SR2202D
L 801	(A,134,110) Choke Coil 600uH	CTH1466	R 112	(B,48,107)	RS1/10SR2202D
L 903	(A,132,45) Inductor	CTH1253	R 113	(B,44,107)	RS1/10SR2202D
L 905	(A,133,84) Chip Ferrite Bead	VTL1183	R 114	(B,50,107)	RS1/10SR2202D
L 906	(B,156,51) Inductor	CTF1545	R 120	(B,48,114)	RS1/10SR0R0J
L 907	(A,143,51) Inductor	CTF1788			

RESISTORS

1

2

3

4

5		6		7		8	
<u>Circuit Symbol and No.</u>		<u>Part No.</u>		<u>Circuit Symbol and No.</u>		<u>Part No.</u>	
R 121	(B,48,113)	RS1/10SR0R0J		R 623	(A,72,99)	RS1/16SS473J	
R 122	(B,48,116)	RS1/10SR0R0J		R 627	(B,74,102)	RS1/16SS223J	
R 123	(A,73,113)	RS1/16SS102J		R 628	(B,74,103)	RS1/16SS223J	
R 124	(A,81,113)	RS1/16SS102J		R 629	(A,78,100)	RS1/16SS223J	
R 125	(A,78,113)	RS1/16SS102J		R 631	(B,77,98)	RS1/16SS101J	A
R 126	(A,76,113)	RS1/16SS102J		R 634	(A,79,105)	RS1/16SS221J	
R 127	(A,73,116)	RS1/16SS102J		R 637	(A,82,70)	RS1/16SS102J	
R 128	(A,81,116)	RS1/16SS102J		R 638	(A,83,70)	RS1/16SS101J	
R 129	(A,78,116)	RS1/16SS102J		R 640	(A,85,69)	RS1/16SS102J	
R 130	(A,77,116)	RS1/16SS102J		R 641	(A,86,69)	RS1/16SS473J	
R 131	(A,81,124)	RS1/10SR754J		R 643	(B,91,97)	RS1/16SS222J	
R 132	(A,82,124)	RS1/10SR754J		R 644	(B,92,97)	RS1/16SS0R0J	
R 133	(B,109,106)	RS1/10SR103J		R 646	(A,93,105)	RS1/16SS473J	
R 134	(B,111,106)	RS1/10SR103J		R 647	(A,92,103)	RS1/16SS102J	
R 135	(B,111,108)	RS1/10SR331J		R 648	(A,94,105)	RS1/16SS101J	B
R 136	(B,113,107)	RS1/10SR222J		R 650	(A,93,103)	RS1/16SS102J	
R 137	(B,115,107)	RS1/10SR103J		R 651	(A,91,70)	RS1/16SS473J	
R 138	(A,45,115)	RS1/16SS101J		R 652	(A,92,70)	RS1/16SS102J	
R 139	(A,100,67)	RS1/16SS472J		R 656	(A,101,72)	RS1/16SS102J	
R 140	(A,107,77)	RS1/16SS333J		R 659	(B,121,100)	RS1/16SS473J	
R 141	(A,107,72)	RS1/16SS473J		R 660	(A,95,103)	RS1/16SS101J	
R 142	(A,101,74)	RS1/16SS473J		R 661	(A,97,102)	RS1/16SS222J	
R 143	(A,101,66)	RS1/16SS472J		R 663	(A,98,105)	RS1/16SS473J	
R 145	(B,110,116)	RS1/10SR223J		R 664	(A,98,102)	RS1/16SS101J	
R 146	(A,111,75)	RS1/16SS512J		R 665	(A,93,71)	RS1/16SS102J	
R 147	(A,111,71)	RS1/10SR472J		R 666	(B,84,97)	RS1/16SS473J	C
R 148	(B,114,114)	RS1/16SS472J		R 667	(A,120,94)	RS1/16SS472J	
R 149	(B,108,116)	RS1/10SR104J		R 668	(A,98,72)	RS1/16SS0R0J	
R 153	(A,113,75)	RS1/16SS222J		R 672	(A,118,97)	RS1/16SS472J	
R 154	(A,112,71)	RS1/10SR103J		R 676	(A,107,86)	RS1/16SS0R0J	
R 158	(B,102,109)	RS1/10SR473J		R 677	(B,101,83)	RS1/16SS102J	
R 159	(A,57,123)	RS1/4SA101J		R 678	(A,106,107)	RS1/16SS473J	
R 160	(A,59,123)	RS1/4SA101J		R 679	(A,109,106)	RS1/16SS473J	
R 161	(B,104,109)	RS1/10SR223J		R 680	(A,108,105)	RS1/16SS473J	
R 162	(A,86,124)	RS1/10SR103J		R 681	(A,109,104)	RS1/16SS473J	
R 163	(A,42,119)	RS1/16SS101J		R 682	(B,116,88)	RS1/16SS101J	D
R 201	(A,54,110)	RS1/10SR222J		R 683	(B,115,87)	RS1/16SS0R0J	
R 202	(A,54,111)	RS1/10SR0R0J		R 684	(B,114,89)	RS1/16SS101J	
R 203	(A,62,111)	RS1/16SS473J		R 685	(B,114,87)	RS1/16SS101J	
R 206	(A,60,111)	RS1/16SS473J		R 686	(A,109,103)	RS1/16SS101J	
R 207	(A,59,111)	RS1/16SS473J		R 687	(A,109,101)	RS1/16SS101J	
R 339	(A,46,115)	RS1/16SS101J		R 688	(A,109,100)	RS1/16SS102J	
R 420	(B,21,71)	RS1/16SS473J		R 691	(B,128,83)	RS1/16SS102J	
R 421	(B,21,73)	RS1/16SS681J		R 692	(A,118,100)	RS1/16SS101J	
R 422	(B,22,89)	RS1/16SS681J		R 693	(A,118,99)	RS1/16SS101J	
R 423	(B,22,91)	RS1/16SS681J		R 694	(A,118,95)	RS1/16SS101J	
R 424	(B,22,92)	RS1/16SS681J		R 695	(A,118,96)	RS1/16SS101J	E
R 425	(B,22,94)	RS1/16SS332J		R 696	(A,108,93)	RS1/16SS102J	
R 426	(B,29,87)	RS1/16SS682J		R 697	(A,120,95)	RS1/16SS101J	
R 427	(B,8,58)	RS1/16SS0R0J		R 699	(A,107,74)	RS1/16SS102J	
R 428	(B,9,60)	RS1/16SS242J		R 700	(A,110,73)	RS1/16SS102J	
R 429	(B,10,63)	RS1/16SS102J		R 701	(A,112,73)	RS1/16SS102J	
R 436	(B,7,58)	RS1/16SS0R0J		R 702	(A,106,71)	RS1/16SS102J	
R 437	(B,6,60)	RS1/16SS242J		R 703	(B,88,87)	RS1/10SR101J	
R 438	(B,6,63)	RS1/16SS102J		R 704	(A,112,67)	RS1/16SS102J	
R 607	(B,89,96)	RS1/16SS102J		R 705	(A,103,71)	RS1/16SS102J	
R 616	(A,74,99)	RS1/16SS223J		R 706	(B,105,92)	RS1/16SS221J	F
R 617	(A,75,92)	RS1/16SS1002F		R 707	(B,102,96)	RS1/16SS221J	
R 618	(B,74,86)	RS1/16SS1002F		R 714	(B,98,95)	RS1/16SS473J	
R 622	(A,73,99)	RS1/16SS473J		R 715	(A,110,102)	RS1/16SS472J	

1

2

3

4

Circuit Symbol and No.Part No.Circuit Symbol and No.Part No.

	R 716	(B,94,99)	RS1/16SS472J	R 919	(B,34,52)	RS1/10SR332J
	R 719	(B,97,87)	RS1/16SS102J	R 920	(B,162,83)	RS1/10SR681J
	R 720	(B,103,86)	RS1/16SS473J	R 922	(B,155,46)	RS1/16SS3002D
A	R 721	(B,115,71)	RS1/16SS473J	R 923	(B,160,82)	RS1/10SR1R0J
	R 722	(A,103,74)	RS1/16SS472J	R 924	(B,153,46)	RS1/16SS1002D
	R 723	(B,128,84)	RS1/16SS473J	R 925	(A,136,64)	RS1/10SR0R0J
	R 724	(A,110,93)	RS1/16SS104J	R 926	(B,135,73)	RS1/10SR472J
	R 726	(B,118,72)	RS1/16SS103J	R 927	(B,135,68)	RS1/10SR222J
	R 727	(B,117,73)	RS1/16SS122J	R 928	(B,139,73)	RS1/10SR222J
	R 728	(B,116,72)	RS1/16SS122J	R 929	(B,141,75)	RS1/10SR104J
	R 729	(A,108,67)	RS1/16SS473J	R 930	(B,156,80)	RS1/8S511J
	R 731	(A,113,93)	RS1/16SS102J	R 931	(A,36,104)	RS1/16SS103J
	R 732	(A,113,92)	RS1/16SS102J	R 932	(A,132,67)	RS1/10S100J
	R 733	(B,85,97)	RS1/16SS101J	R 933	(A,37,102)	RS1/16SS392J
B	R 734	(B,82,97)	RS1/16SS101J	R 934	(A,33,97)	RS1/16SS102J
	R 735	(A,95,107)	RS1/16SS473J	R 935	(A,38,97)	RS1/16SS102J
	R 736	(A,87,69)	RS1/16SS102J	R 936	(A,49,55)	RS1/16SS221J
	R 737	(A,104,101)	RS1/16SS473J	R 937	(A,128,81)	RS1/10SR102J
	R 801	(B,141,97)	RS1/10SR103J	R 938	(B,140,70)	RS1/10SR473J
	R 802	(A,109,97)	RS1/16SS473J	R 939	(A,126,58)	RS1/16SS0R0J
	R 803	(B,140,102)	RS1/10SR473J	R 940	(A,125,55)	RS1/16SS103J
	R 804	(B,142,102)	RS1/10SR103J	R 941	(B,134,57)	RS1/16SS473J
	R 805	(A,112,95)	RS1/16SS472J	R 942	(A,48,60)	RS1/16SS753J
	R 806	(B,144,99)	RS1/10SR473J	R 944	(A,46,58)	RS1/16SS303J
	R 807	(B,144,102)	RS1/10SR102J	R 946	(A,45,55)	RS1/16SS4302D
C	R 808	(A,113,95)	RS1/16SS103J	R 947	(A,47,55)	RS1/16SS1202D
	R 811	(B,124,127)	RS1/10SR510J	R 948	(A,47,54)	RS1/16SS1802D
	R 812	(B,76,121)	RS1/10SR103J	R 949	(A,44,55)	RS1/16SS0R0J
	R 813	(B,72,121)	RS1/10SR103J	R 951	(B,156,69)	RS1/10SR1802D
	R 814	(B,69,121)	RS1/10SR103J	R 952	(B,156,71)	RS1/10SR4702D
	R 815	(B,65,121)	RS1/10SR103J	R 953	(B,156,74)	RS1/10SR5602D
	R 816	(B,64,123)	RS1/10SR183J	R 954	(B,153,36)	RS1/16SS6202D
	R 817	(B,70,123)	RS1/10SR183J	R 955	(B,153,35)	RS1/16SS1002D
	R 818	(B,71,123)	RS1/10SR183J	R 956	(B,150,57)	RS1/10SR223J
	R 819	(B,77,123)	RS1/10SR183J	R 957	(B,152,57)	RS1/10SR224J
D	R 823	(B,131,100)	RS1/10SR0R0J	R 958	(B,154,56)	RS1/10SR182J
	R 825	(B,133,104)	RS1/10SR0R0J	R 959	(B,152,59)	RS1/10SR220J
	R 828	(B,135,100)	RS1/10SR471J	R 960	(A,162,91)	RS1/10SR225J
	R 829	(B,137,105)	RS1/10SR0R0J	R 961	(B,155,60)	RS1/10SR472J
	R 834	(A,68,126)	RS1/8SQ102J	R 962	(B,156,77)	RS1/8S511J
	R 835	(A,37,124)	RS1/10SR0R0J	R 964	(A,27,79)	RS1/16SS103J
	R 836	(B,58,122)	RS1/8SQ102J	R 965	(A,27,77)	RS1/16SS102J
	R 837	(A,58,117) 68 ohm	CCN1318	R 967	(B,31,67)	RS1/16SS102J
	R 838	(A,35,121)	RS1/10SR102J	R 971	(A,170,64)	RS1/16SS0R0J
	R 840	(B,137,113)	RS1/8SQ472J	R 973	(B,137,55)	RS1/10SR102J
	R 901	(B,149,26)	RS1/10SR472J	R 975	(B,156,27)	RS1/10SR223J
E	R 902	(A,141,35)	RS1/16SS753J	R 1601	(A,79,23)	RS1/16SS104J
	R 903	(B,154,25)	RS1/10SR562J	R 1602	(A,80,22)	RS1/16SS0R0J
	R 905	(B,155,29)	RS1/8SQ182J	R 1603	(A,74,47)	RS1/16SS101J
	R 906	(B,164,83)	RS1/10SR681J	R 1604	(A,76,47)	RS1/16SS473J
	R 907	(B,150,26)	RS1/10SR1R0J	R 1605	(A,73,45)	RS1/16SS473J
	R 908	(A,140,33)	RS1/16SS153J	R 1606	(A,76,48)	RS1/16SS101J
	R 909	(B,165,83)	RS1/10SR681J	R 1607	(A,75,52)	RS1/16SS473J
	R 910	(A,143,28)	RS1/16SS221J	R 1609	(A,73,53)	RS1/16SS101J
	R 911	(B,154,62)	RS1/10SR824J	R 1611	(A,73,52)	RS1/16SS220J
	R 912	(A,134,64)	RS1/10SR0R0J	R 1612	(A,75,50)	RS1/16SS473J
F	R 914	(A,139,29)	RS1/16SS1502D	R 1613	(A,83,53)	RS1/16SS332J
	R 915	(A,141,29)	RS1/16SS1803D	R 1614	(B,95,45)	RS1/16SS101J
	R 916	(A,141,28)	RS1/16SS4702D	R 1615	(A,113,54)	RS1/16SS101J
	R 917	(A,137,30)	RS1/16SS0R0J	R 1616	(A,113,53)	RS1/16SS101J

1

2

3

4

5		6		7		8	
<u>Circuit Symbol and No.</u>		<u>Part No.</u>		<u>Circuit Symbol and No.</u>		<u>Part No.</u>	
R 1617	(A,114,52)	RS1/16SS101J		R 1723	(B,105,49)	RS1/16SS220J	
R 1618	(A,114,51)	RS1/16SS101J		R 1724	(B,105,48)	RS1/16SS220J	
R 1619	(A,114,50)	RS1/16SS101J		R 1727	(B,83,41)	RS1/16SS220J	
R 1620	(A,114,49)	RS1/16SS101J		R 1728	(B,71,34)	RS1/16SS220J	A
R 1621	(B,104,36)	RS1/16SS101J		R 1729	(B,84,41)	RS1/16SS220J	
R 1624	(B,79,52)	RS1/16SS473J		R 1730	(B,72,32)	RS1/16SS220J	
R 1625	(B,80,49)	RS1/16SS473J		R 1731	(B,85,41)	RS1/16SS220J	
R 1626	(A,116,46)	RS1/16SS472J		R 1732	(B,72,34)	RS1/16SS220J	
R 1627	(A,115,46)	RS1/16SS472J		R 1733	(B,86,41)	RS1/16SS220J	
R 1628	(A,114,46)	RS1/16SS472J		R 1734	(B,73,32)	RS1/16SS220J	
R 1629	(A,100,20)	RS1/16SS105J		R 1735	(B,87,41)	RS1/16SS220J	
R 1630	(A,113,46)	RS1/16SS472J		R 1736	(B,73,30)	RS1/16SS220J	
R 1631	(B,91,15)	RS1/16SS102J		R 1737	(B,88,41)	RS1/16SS220J	
R 1632	(A,102,23)	RS1/16SS473J		R 1738	(B,71,29)	RS1/16SS220J	
R 1633	(B,103,29)	RS1/16SS473J		R 1739	(B,89,41)	RS1/16SS220J	B
R 1634	(B,103,28)	RS1/16SS473J		R 1740	(B,73,28)	RS1/16SS220J	
R 1637	(A,109,45)	RS1/16SS473J		R 1741	(B,90,41)	RS1/16SS220J	
R 1638	(A,106,42)	RS1/16SS5601F		R 1742	(B,71,27)	RS1/16SS220J	
R 1639	(B,104,37)	RS1/16SS472J		R 1743	(B,77,29)	RS1/16SS220J	
R 1640	(A,106,37)	RS1/16SS102J		R 1745	(B,77,27)	RS1/16SS472J	
R 1641	(A,114,35)	RS1/16SS473J		R 1746	(B,73,26)	RS1/16SS472J	
R 1642	(A,112,31)	RS1/16SS473J		R 1747	(B,98,63)	RS1/10SR473J	
R 1643	(A,112,30)	RS1/16SS473J		R 2601	(B,80,23)	RS1/16SS104J	
R 1644	(A,106,28)	RS1/16SS473J		R 2602	(B,103,16)	RS1/16SS472J	
R 1645	(A,108,28)	RS1/16SS473J		R 2603	(A,120,28)	RS1/16SS473J	C
R 1646	(A,108,43)	RS1/16SS103J		R 2604	(A,100,18)	RS1/16SS473J	
R 1647	(A,106,40)	RS1/16SS101J		R 2605	(B,101,16)	RS1/16SS472J	
R 1648	(A,101,20)	RS1/16SS101J		R 2606	(A,112,23)	RS1/16SS105J	
R 1654	(A,95,19)	RS1/16SS101J		R 2607	(B,103,17)	RS1/16SS472J	
R 1655	(B,78,49)	RS1/16SS473J		R 2609	(A,119,28)	RS1/16SS103J	
R 1659	(B,78,48)	RS1/16SS471J		R 2610	(A,105,20)	RS1/16SS221J	
R 1660	(B,78,47)	RS1/16SS151J		R 2611	(A,107,21)	RS1/16SS221J	
R 1661	(A,69,39)	RS1/16SS151J		R 2612	(A,108,20)	RS1/16SS101J	
R 1662	(A,67,39)	RS1/16SS151J		R 2613	(A,109,21)	RS1/16SS221J	
R 1666	(A,93,61)	RS1/16SS105J		R 2614	(A,109,20)	RS1/16SS101J	
R 1667	(A,65,40)	RS1/16SS472J		R 2615	(A,111,20)	RS1/16SS102J	D
R 1668	(A,71,39)	RS1/16SS472J		R 2619	(A,119,21)	RS1/16SS221J	
R 1669	(A,114,44)	RS1/16SS0R0J		R 2620	(B,78,17)	RS1/16SS104J	
R 1671	(A,73,51)	RS1/16SS473J		R 2621	(A,125,80)	RS1/16SS0R0J	
R 1701	(A,93,64)	RS1/16SS472J		R 2622	(A,123,80)	RS1/16SS0R0J	
R 1702	(A,95,64)	RS1/16SS472J		R 2623	(B,117,23)	RS1/16SS104J	
R 1703	(A,96,64)	RS1/16SS472J		R 2624	(B,81,14)	RS1/16SS103J	
R 1705	(B,105,57)	RS1/16SS220J		R 2625	(B,82,14)	RS1/16SS103J	
R 1706	(B,93,61)	RS1/16SS220J		R 2626	(B,78,18)	RS1/16SS101J	
R 1707	(B,95,61)	RS1/16SS220J		R 2627	(B,78,21)	RS1/16SS101J	
R 1708	(B,96,61)	RS1/16SS220J		R 2628	(B,85,22)	RS1/16SS102J	
R 1709	(B,97,61)	RS1/16SS220J		R 2629	(B,108,24)	RS1/16SS104J	E
R 1710	(B,105,55)	RS1/16SS220J		R 2630	(B,64,22)	RS1/16SS220J	
R 1711	(B,105,54)	RS1/16SS220J		R 2631	(B,86,20)	RS1/16SS105J	
R 1712	(B,105,56)	RS1/16SS220J		R 2633	(A,54,26)	RS1/16SS273J	
R 1713	(B,99,61)	RS1/16SS220J		R 2634	(B,54,25)	RS1/16SS221J	
R 1714	(B,100,63)	RS1/16SS220J		R 2635	(A,54,25)	RS1/16SS102J	
R 1715	(B,101,61)	RS1/16SS220J		R 2636	(B,41,42)	RS1/16SS101J	
R 1716	(B,102,63)	RS1/16SS220J		R 2637	(B,40,42)	RS1/16SS101J	
R 1717	(B,97,45)	RS1/16SS472J		R 2638	(B,37,42)	RS1/16SS101J	
R 1718	(B,105,53)	RS1/16SS220J		R 2639	(B,34,42)	RS1/16SS101J	
R 1719	(B,107,52)	RS1/16SS220J		R 2640	(B,33,42)	RS1/16SS102J	F
R 1720	(B,105,52)	RS1/16SS220J		R 2641	(A,48,30)	RS1/16SS101J	
R 1721	(B,107,51)	RS1/16SS220J		R 2642	(A,48,34)	RS1/16SS101J	
R 1722	(B,105,50)	RS1/16SS220J		R 2643	(A,48,26)	RS1/16SS220J	

1

2

3

4

Circuit Symbol and No.**Part No.****Circuit Symbol and No.****Part No.**

R 2644	(A,48,27)	RS1/16SS220J	C 135	(A,87,127) Capacitor	CEHVW1R0M50
R 2645	(A,48,31)	RS1/16SS220J			
R 2647	(B,59,16)	RS1/16SS103J	C 136	(B,115,126)	CKSRYB104K50
R 2648	(A,51,24)	RS1/16SS220J	C 137	(B,118,126)	CKSRYB104K50
R 2649	(A,51,23)	RS1/16SS220J	C 201	(A,48,105)	CEVQW101M10
			C 202	(A,52,105)	CKSRYB104K16
R 2650	(A,51,22)	RS1/16SS220J	C 203	(A,49,112)	CEVW100M16
R 2651	(A,48,20)	RS1/16SS220J			
R 2652	(A,55,16)	RS1/16SS151J	C 204	(A,52,111)	CKSRYB682K50
R 2653	(A,56,16)	RS1/16SS151J	C 206	(A,50,98) Capacitor	CEVW220M16
R 2654	(A,58,16)	RS1/16SS151J	C 408	(B,9,61)	CKSSYB102K50
			C 409	(B,9,63)	CKSSYB102K50
R 2655	(A,57,16)	RS1/16SS102J	C 410	(B,6,61)	CKSSYB102K50
R 2656	(A,25,20)	RS1/16SS0R0J			
R 2659	(A,42,14)	RS1/16SS101J	C 411	(B,7,63)	CKSSYB102K50
R 2660	(B,58,23)	RS1/10SR822J	C 418	(A,25,95) 10 uF	CCG1192
R 2661	(B,61,23)	RS1/16SS103J	C 422	(A,7,53) 10 uF	CCG1192
			C 432	(A,26,72) 10 uF	CCG1192
R 2662	(A,48,22)	RS1/16SS220J	C 434	(A,26,76) 10 uF	CCG1192
R 2663	(A,48,23)	RS1/16SS220J			
R 2701	(B,149,9)	RS1/10SR471J	C 439	(A,25,100) 10 uF	CCG1192
R 2702	(B,136,8)	RS1/10SR471J	C 440	(B,24,128)	CKSQYB102K50
R 2703	(B,146,13)	RS1/10SR471J	C 601	(B,42,91)	CKSRYB105K10
			C 602	(B,53,92)	CKSRYB105K10
R 2705	(B,144,13)	RS1/10SR471J	C 603	(B,60,112)	CKSRYB105K16
R 2707	(B,142,14)	RS1/10SR473J			
R 2709	(B,148,103)	RS1/10SR0R0J	C 604	(B,58,112)	CKSRYB105K16
R 2710	(B,88,98)	RS1/16SS101J	C 605	(B,62,112)	CKSRYB105K16
			C 606	(B,59,112)	CKSRYB105K16
			C 611	(A,87,105)	CKSRYB105K10
			C 615	(B,76,83)	CKSSYB105K6R3
C 101	(B,43,99)	CKSRYB105K10			
C 102	(B,53,99)	CKSRYB105K10	C 616	(B,87,96)	CKSSYB102K50
C 103	(B,46,97)	CCSRCH330J50	C 619	(A,74,78)	CKSSYB105K6R3
C 104	(B,50,97)	CCSRCH330J50	C 620	(A,74,92)	CKSSYB104K10
C 105	(B,41,102)	CCSRCH330J50	C 621	(B,80,91)	CKSYB226K6R3
			C 622	(B,77,92)	CKSSYB104K10
C 106	(B,54,103)	CCSRCH330J50			
C 107	(B,46,110)	CKSQYB225K16	C 623	(B,83,92)	CKSQYB225K10
C 108	(B,48,110)	CKSQYB225K16	C 624	(B,76,90)	CKSSYB104K10
C 109	(B,44,110)	CKSQYB225K16	C 625	(B,80,86)	CKSYB226K6R3
C 110	(B,50,110)	CKSQYB225K16	C 626	(B,83,86)	CKSQYB225K10
			C 627	(B,71,90)	CKSRYB105K10
C 111	(B,43,105)	CKSSYB104K10			
C 112	(A,83,115)	CKSRYB473K50	C 628	(B,67,86)	CKSRYB105K10
C 113	(A,73,114)	CKSSYB102K50	C 629	(A,70,78)	CKSRYB105K10
C 114	(A,81,114)	CKSSYB102K50	C 630	(B,77,85)	CKSQYB225K10
C 115	(A,78,114)	CKSSYB102K50	C 631	(B,76,82)	CKSSYB104K10
			C 632	(B,77,95)	CKSSYB104K10
C 116	(A,76,114)	CKSSYB102K50			
C 117	(A,74,116)	CKSSYB102K50	C 633	(B,74,93)	CKSSYB104K10
C 118	(A,80,116)	CKSSYB102K50	C 634	(B,77,88)	CKSSYB104K10
C 119	(A,79,116)	CKSSYB102K50	C 637	(B,72,80)	CKSSYB105K6R3
C 120	(A,76,116)	CKSSYB102K50	C 644	(A,75,78)	CKSSYB104K10
			C 646	(A,78,72)	CKSSYB103K16
C 121	(A,74,120)	CKSRYB154K10			
C 122	(A,80,120)	CKSRYB154K10	C 647	(A,78,71)	CKSSYB105K6R3
C 123	(A,79,120)	CKSRYB154K10	C 648	(A,80,72)	CKSRYB103K50
C 124	(A,76,120)	CKSRYB154K10	C 651	(A,76,70)	CKSSYB103K16
C 125	(A,74,124)	CKSRYB334K10	C 652	(A,81,102)	CKSSYB103K16
			C 655	(B,81,74)	CKSSYB103K16
C 126	(A,79,124)	CKSRYB334K10			
C 127	(A,77,124)	CKSRYB334K10	C 656	(A,79,106)	CCSSCH100D50
C 128	(A,76,124)	CKSRYB334K10	C 657	(B,94,82)	CKSQYB106K6R3
C 129	(A,97,133) 33 uF/16 V	CCH1999	C 658	(A,82,103)	CKSRYB103K50
C 130	(B,89,127)	CKSYB105K35	C 659	(A,84,106)	CCSSCH100D50
			C 661	(B,83,77)	CKSSYB105K6R3
C 131	(B,89,125)	CKSYB105K35			
C 132	(A,112,75)	CKSRYB224K16	C 662	(A,84,103)	CKSSYB105K6R3
C 133	(A,87,133) 10 uF/16 V	CCH1998	C 663	(A,86,103)	CKSSYB224K6R3
C 134	(A,44,119)	CKSSYB104K10	C 665	(B,86,74)	CKSSYB103K16
			C 666	(A,87,103)	CKSSYB224K6R3

1

2

3

4

5		6		7		8	
<u>Circuit Symbol and No.</u>		<u>Part No.</u>		<u>Circuit Symbol and No.</u>		<u>Part No.</u>	
C 667	(B,89,74)	CKSSYB103K16		C 903	(B,149,29)	CKSRYB103K50	
C 668	(A,88,103)	CKSSYB224K6R3		C 904	(B,135,50)	CKSSYB102K50	
C 669	(A,90,102)	CKSSYB104K10		C 905	(A,139,35)	CKSRYB104K16	A
C 672	(B,102,94)	CKSSYB103K16		C 907	(B,135,51)	CKSRYB472K50	
C 673	(A,105,83)	CKSSYB103K16		C 908	(B,152,43) 10 uF	DCH1165	
C 674	(B,104,86) 4.7 uF	CCG1201		C 910	(A,140,31)	CKSSYB103K16	
C 675	(A,104,81)	CKSSYB103K16		C 911	(A,163,21)	CKSRYB103K50	
C 676	(A,105,81)	CKSSYB103K16		C 913	(B,151,104)	CKSRYB104K16	
C 677	(A,107,84)	CCSSCH220J50		C 914	(A,163,27) 100 uF/25 V	CCH2000	
C 678	(A,107,89)	CCSSCH220J50		C 915	(A,169,34)	CKSRYB103K50	
C 679	(B,101,86)	CKSSYB103K16		C 916	(B,129,51)	CKSSYB223K16	
C 680	(A,118,107)	CKSSYB102K50		C 917	(A,41,100)	CKSRYB105K10	
C 681	(A,119,108)	CKSRYB105K10		C 918	(A,32,93)	CKSRYB103K50	
C 682	(A,74,102)	CKSSYB104K10		C 919	(B,164,80)	CKSRYB103K50	B
C 683	(A,74,101)	CKSRYB105K10		C 920	(A,36,94)	CKSSYB102K50	
C 684	(A,102,107)	CKSSYB102K50		C 921	(A,37,92)	CKSQYB225K10	
C 685	(A,101,106)	CKSRYB105K10		C 922	(A,36,99)	CKSRYB105K10	
C 686	(A,73,75)	CKSSYB104K10		C 923	(A,38,95)	CKSRYB103K50	
C 687	(A,73,73)	CKSRYB105K10		C 924	(A,129,33) Capacitor	CEHVW221M16	
C 688	(B,74,84)	CKSSYB104K10		C 925	(A,40,94)	CKSSYB102K50	
C 693	(B,83,97)	CCSSCH121J50		C 926	(A,171,66)	CKSSYB102K50	
C 801	(B,138,101)	CKSRYB103K50		C 927	(A,150,77) Capacitor	CEHVW470M16	
C 802	(B,121,127)	CKSRYB103K50		C 928	(B,135,72) 2.2 uF	CCG1205	
C 803	(B,58,147)	CKSQYB102K50		C 929	(A,171,65)	CKSSYB102K50	
C 804	(B,46,142)	CKSQYB221K50		C 930	(A,40,92)	CKSQYB225K10	C
C 805	(B,45,142)	CKSQYB102K50		C 931	(A,56,81)	CEHAT471M16(P35)	
C 806	(B,62,122)	CKSQYB102K50		C 932	(A,140,65) 4.7 uF	CCG1201	
C 807	(B,129,141)	CKSQYB102K50		C 933	(B,138,58)	CKSRYB104K16	
C 808	(B,132,141)	CKSRYB183K50		C 935	(B,139,64)	CKSSYB102K50	
C 810	(B,128,141)	CKSRYB183K50		C 936	(B,141,81)	CKSSYB102K50	
C 811	(B,39,142)	CKSQYB221K50		C 937	(B,138,67) 10 uF	CCG1192	
C 812	(B,131,141)	CKSRYB183K50		C 941	(A,136,55) 10 uF	CCG1192	
C 813	(B,136,141)	CKSRYB183K50		C 942	(B,136,81)	CKSRYB472K50	
C 814	(B,76,125)	CKSQYB102K50		C 943	(A,132,77)	CKSRYB104K16	
C 815	(B,36,142)	CKSQYB221K50		C 944	(B,35,50)	CKSRYB105K10	
C 817	(B,72,125)	CKSQYB102K50		C 945	(B,138,70)	CKSRYB103K50	D
C 818	(B,138,141)	CKSRYB183K50		C 946	(A,56,72) Capacitor	CEHVW221M16	
C 819	(B,69,125)	CKSQYB102K50		C 947	(A,146,54) 10 uF	CCG1236	
C 820	(B,84,117) 10 uF	CCG1236		C 951	(B,153,40) 10 uF	DCH1165	
C 821	(B,144,141)	CKSQYB473K50		C 952	(B,154,41)	CKSRYB103K50	
C 822	(B,65,125)	CKSQYB102K50		C 953	(B,37,52)	CKSSYB102K50	
C 823	(B,32,123)	CKSQYB102K50		C 954	(B,154,48) 10 uF	DCH1165	
C 824	(B,149,141)	CKSQYB102K50		C 955	(B,153,50)	CKSRYB103K50	
C 825	(A,64,126)	CKSQYB221K50		C 956	(A,131,54) 22 uF	DCH1256	
C 826	(B,38,127)	CKSQYB102K50		C 957	(B,153,52)	CKSRYB103K50	
C 827	(B,134,141)	CKSRYB183K50		C 959	(B,134,62)	CKSQYB225K10	
C 828	(A,64,124)	CKSQYB221K50		C 960	(B,153,38) 10 uF	CCG1236	
C 829	(A,68,124)	CKSQYB473K50		C 962	(B,27,47)	CKSRYB105K10	
C 830	(B,37,127)	CKSQYB102K50		C 963	(B,131,57) 10 uF	CCG1192	
C 831	(B,137,141)	CKSRYB183K50		C 964	(A,170,48) 10 uF	CCG1236	
C 834	(B,126,141)	CKSRYB183K50		C 967	(B,25,45) 4.7 uF	CCG1201	
C 835	(B,34,127)	CKSQYB102K50		C 969	(B,129,59)	CKSQYB225K10	
C 838	(B,40,124)	CKSQYB102K50		C 970	(A,170,61) 10 uF	CCG1236	
C 841	(A,86,113)	CKSQYB104K50		C 971	(B,25,47)	CKSSYB102K50	
C 845	(A,149,90) 3 300 uF/16 V	CCH1486(P35)		C 974	(B,126,58) 10 uF	CCG1192	
C 847	(B,139,112)	CKSRYB103K50		C 975	(A,146,66)	CEHAT471M16(P35)	
C 848	(B,35,127)	CCSRCH470J50		C 977	(B,138,79)	CKSSYB223K16	F
C 849	(B,32,127)	CCSRCH470J50		C 978	(A,138,68)	CKSRYB105K10	
C 901	(A,150,45) Capacitor	CEHVW221M16		C 980	(B,35,52) 4.7 uF	CCG1201	
C 902	(A,144,40) 10 uF	CCG1236		C 981	(A,132,23)	CEHAT471M16(P35)	

	1	2	3	4
	<u>Circuit Symbol and No.</u>	<u>Part No.</u>	<u>Circuit Symbol and No.</u>	<u>Part No.</u>
	C 982 (A,124,55)	CKSSYB105K6R3	C 1655 (A,107,37)	CCSSCH100D50
A	C 983 (B,135,57)	CKSSYB102K50	C 1656 (A,107,35)	CCSSCH100D50
	C 984 (A,170,63)	CKSRYB102K50	C 1659 (A,108,42)	CKSSYB105K6R3
	C 985 (A,143,19) 2 200 uF/16 V	CCH2001(P35)	C 1660 (A,114,30)	CKSSYB102K50
	C 986 (A,151,26)	CKSRYB473K50	C 1661 (A,115,26) 10 uF	CCG1192
	C 987 (A,154,70)	CEVW2R2M50	C 1662 (A,110,47) 10 uF	CCG1192
	C 988 (A,131,83)	CKSRYB104K16	C 1663 (A,71,47)	CCSSCH101J50
	C 989 (A,161,91)	CKSRYB104K50	C 1664 (A,88,69)	CKSSYB102K50
	C 990 (A,154,65) 10 uF	DCH1165	C 1701 (B,79,60)	CKSSYB102K50
	C 991 (B,152,63)	CKSRYB103K50	C 1702 (B,82,61)	CKSSYB104K10
	C 992 (A,152,57) 100 uF/16 V	CCH1962	C 1703 (B,85,61)	CKSSYB104K10
	C 993 (B,152,60)	CCSRCH221J50	C 1704 (B,90,61)	CKSSYB104K10
	C 994 (A,170,44) 10 uF	DCH1165	C 1705 (B,92,61)	CKSSYB104K10
B	C 995 (A,154,63) 10 uF	DCH1165	C 1706 (B,103,61)	CKSSYB104K10
	C 997 (A,38,61) Capacitor	CEHVW331M16	C 1707 (B,83,45)	CKSSYB104K10
	C 998 (B,154,33)	CKSRYB102K50	C 1708 (B,88,45)	CKSSYB104K10
	C 1000 (A,36,82) 4.7 uF	CCG1201	C 1709 (B,94,45)	CCSSCH180J50
	C 1001 (A,27,82) 4.7 uF	CCG1201	C 1710 (B,103,31)	CKSSYB103K16
	C 1002 (A,29,67)	CKSRYB105K10	C 1711 (B,78,33)	CKSSYB104K10
	C 1003 (A,26,67) 10 uF	CCG1192	C 1712 (B,76,33) 10 uF	CCG1192
	C 1004 (A,51,66) 10 uF	CCG1236	C 2601 (B,87,20)	CKSSYB104K10
	C 1005 (A,47,60)	CKSRYB104K16	C 2602 (B,85,20)	CKSSYB103K16
	C 1006 (A,46,57)	CKSSYB104K16	C 2603 (B,65,21)	CKSSYB102K50
C	C 1616 (A,72,51)	CCSSCH220J50	C 2605 (B,105,24)	CKSSYB102K50
	C 1619 (A,76,43)	CKSSYB104K10	C 2607 (A,24,40) 10 uF	CCG1192
	C 1620 (A,77,38)	CKSSYB104K10	C 2608 (A,111,23)	CKSSYB102K50
	C 1621 (A,76,30)	CKSSYB104K10	C 2609 (B,115,24)	CCSSCH101J50
	C 1622 (A,76,28)	CKSSYB104K10	C 2610 (B,114,24)	CCSSCH101J50
	C 1623 (A,76,42)	CKSSYB104K10	C 2611 (B,113,24)	CCSSCH101J50
	C 1624 (A,77,34)	CKSSYB104K10	C 2612 (B,109,24)	CKSSYB103K16
	C 1625 (A,80,53)	CKSSYB104K10	C 2613 (A,129,15)	CKSSYB102K50
	C 1626 (A,82,53)	CKSSYB104K10	C 2615 (B,63,14)	CCSSCH101J50
	C 1627 (A,83,23)	CKSSYB104K10	C 2616 (A,66,14) Capacitor	CEVW220M16
	C 1628 (A,85,22)	CKSSYB104K10	C 2617 (B,55,22)	CKSRYB105K10
	C 1629 (A,85,53)	CKSSYB104K10	C 2618 (B,56,22)	CKSRYB105K10
D	C 1630 (A,87,53)	CKSSYB104K10	C 2619 (B,58,21)	CKSRYB105K10
	C 1631 (A,89,23)	CKSSYB104K10	C 2620 (B,51,18)	CKSSYB104K16
	C 1632 (A,91,22)	CKSSYB104K10	C 2621 (B,63,16)	CKSSYB104K16
	C 1633 (A,91,53)	CKSSYB104K10	C 2622 (A,26,39)	CKSSYB102K50
	C 1634 (A,93,53)	CKSSYB104K10	C 2623 (B,60,19)	CKSQYB225K10
	C 1635 (A,95,23)	CKSSYB104K10	C 2624 (A,26,35)	CKSSYB102K50
	C 1636 (A,96,22)	CKSSYB104K10	C 2625 (B,61,21)	CKSSYB104K16
	C 1637 (A,98,53)	CKSSYB104K10	C 2626 (B,61,16)	CKSSYB472K25
	C 1638 (A,99,53)	CKSSYB104K10	C 2627 (B,52,16)	CKSSYB104K16
	C 1639 (A,100,22)	CKSSYB104K10	C 2628 (B,61,15)	CKSSYB102K50
E	C 1640 (A,101,22)	CKSSYB104K10	C 2629 (B,64,24)	CCSSCH470J50
	C 1641 (A,100,21)	CKSSYB103K16	C 2630 (B,51,23)	CCSSCH470J50
	C 1642 (A,106,47)	CKSSYB104K10	C 2631 (B,51,24)	CCSSCH470J50
	C 1643 (A,105,47)	CKSSYB104K10	C 2632 (B,51,22)	CCSSCH470J50
	C 1644 (A,106,45)	CKSSYB104K10	C 2633 (B,51,20)	CCSSCH470J50
	C 1645 (A,106,43)	CKSSYB104K10	C 2636 (B,32,43)	CKSSYB102K50
	C 1646 (B,104,43)	CKSSYB104K10	C 2637 (B,48,31)	CCSSCH470J50
	C 1647 (B,104,41)	CKSSYB104K10	C 2638 (B,48,27)	CCSSCH470J50
	C 1648 (B,104,38)	CKSSYB104K10	C 2639 (B,48,26)	CCSSCH470J50
	C 1649 (B,104,35)	CKSSYB104K10	C 2640 (B,78,20)	CCSSCH470J50
	C 1650 (A,106,30)	CKSSYB104K10	C 2641 (B,78,19)	CCSSCH470J50
F	C 1651 (A,106,26)	CKSSYB104K10	C 2642 (B,110,24)	CCSSCH470J50
	C 1652 (B,106,33)	CKSSYB104K10	C 2643 (B,107,24)	CCSSCH470J50
	C 1653 (A,111,26) 10 uF	CCG1192	C 2701 (B,140,12)	CKSSYB102K50
	C 1654 (A,106,52) 10 uF	CCG1192	C 2703 (B,144,8)	CCSRCH101J50

5
Circuit Symbol and No.

C 2705 (B,146,8)
C 2706 (B,147,9)
C 2707 (B,150,9)

6
Part No.

CCSRCH101J50
CCSRCH101J50
CKSSYB104K10

7
Circuit Symbol and No.

Q 101 (B,9,57) Transistor 2SA1577
Q 102 (B,22,52) Chip Digital Transistor LTA123JUB
Q 201 (B,35,33) Transistor DTA114EK

TH201 (A,37,53) Thermistor CCX1063
X 201 (A,15,28) Ceramic Resonator 16.934 MHz CSS1603
S 901 (A,43,54) Spring Switch(HOME) CSN1080
S 903 (B,22,13) Spring Switch(DSCSNS) CSN1081
S 905 (B,12,26) Spring Switch(8EJ) CSN1081

CN101 (A,17,59) Connector CKS4808
CN701 (A,38,11) Connector CKS6146

8
Part No.

B

Unit Number: CWN5553
Unit Name : Sub Assy

MISCELLANEOUS

IC 300 (A,29,20) IC	NJM4580MD
Q 300 (A,25,35) Transistor	IMH23
D 300 (A,48,31) Diode	DZ2S068C
D 301 (A,45,31) Diode	DZ2S068C
L 300 (A,46,28) Inductor	CTF1713
P 300 (A,37,37) Fuse 3 A	CEK1286
CN301 (A,6,26) Connector	VKN1298
CN302 (A,26,5) Connector	VKN1300
JA300 (A,53,48) Plug	CKM1604
JA301 (A,27,45) Pin Jack	CKS3144

RESISTORS

R 300 (A,18,21)	RS1/10SR472J
R 301 (A,21,21)	RS1/10SR472J
R 310 (A,29,33)	RS1/10SR391J
R 311 (A,29,35)	RS1/10SR391J
R 312 (A,40,15)	RS1/10SR0R0J
R 313 (A,40,16)	RS1/10SR0R0J
R 314 (A,40,18)	RS1/10SR0R0J
R 315 (A,29,37)	RS1/10SR223J
R 316 (A,18,34)	RS1/8SQ471J
R 320 (A,17,15)	RS1/16SS181J
R 321 (A,19,15)	RS1/16SS103J
R 322 (A,19,14)	RS1/16SS392J

CAPACITORS

C 300 (A,16,27) Capacitor	CEHVW100M25
C 301 (A,22,27)	CEVW470M6R3
C 302 (A,26,23)	CKSRYB104K16
C 303 (A,13,17) Capacitor	CEHVW220M16
C 305 (A,24,17)	CKSRYB104K16
C 306 (A,18,16)	CKSSYB102K50
C 308 (A,33,12)	CKSQYB102K50
C 311 (A,29,29)	CEVW100M16
C 312 (A,40,19)	CKSRYB102K50
C 313 (A,22,35)	CKSQYB222K50
C 320 (A,20,16)	CKSSYB681K50

C

Unit Number: CWX3937
Unit Name : CD Core Unit(S11STD-T)

MISCELLANEOUS

IC 201 (A,29,34) IC	PE5748A
IC 301 (A,65,28) IC	BA5839FP

RESISTORS

R 101 (B,6,60)	RS1/10SR2R4J
R 102 (B,8,60)	RS1/10SR2R4J
R 103 (B,9,60)	RS1/10SR2R7J
R 108 (B,20,54)	RS1/16SS105J
R 109 (B,11,53)	RS1/16SS222J
R 214 (A,39,42)	RS1/16SS103J
R 215 (A,39,41)	RS1/16SS393J
R 216 (A,31,45)	RS1/16SS122J
R 217 (A,34,47)	RS1/16SS562J
R 218 (A,31,47)	RS1/16SS472J
R 225 (A,34,24)	RS1/16SS0R0J
R 229 (A,32,45)	RS1/16SS471J
R 232 (A,19,22)	RS1/16SS0R0J
R 235 (A,46,33)	RS1/16SS103J
R 236 (A,47,33)	RS1/16SS103J
R 237 (B,25,26)	RS1/16SS221J
R 240 (B,27,31)	RS1/16SS473J
R 245 (B,29,31)	RS1/16SS104J
R 246 (A,38,45)	RS1/16S103J
R 253 (B,28,31)	RS1/16SS104J
R 254 (B,30,31)	RS1/16SS104J
R 260 (B,42,22)	RS1/16SS103J
R 262 (A,45,33)	RS1/16SS472J
R 263 (A,48,33)	RS1/16SS472J
R 264 (A,45,26)	RS1/16SS102J
R 281 (A,32,23)	RS1/16SS560J
R 282 (A,31,23)	RS1/16SS560J
R 283 (B,33,18)	RS1/16SS0R0J
R 291 (B,32,18)	RS1/16SS560J
R 292 (B,33,17)	RS1/16SS0R0J
R 293 (B,33,12)	RS1/16SS0R0J
R 294 (A,19,29)	RS1/16SS471J
R 299 (B,32,14)	RS1/16SS0R0J
R 305 (A,61,35)	RS1/16SS183J
R 306 (A,61,38)	RS1/16SS183J
R 307 (A,59,35)	RS1/16SS183J
R 308 (A,59,37)	RS1/16SS183J
R 309 (B,50,27)	RS1/16SS102J
R 310 (B,48,27)	RS1/16SS102J
R 701 (B,37,22)	RS1/16SS101J
R 702 (B,39,21)	RS1/16SS101J
R 706 (B,44,12)	RS1/16SS221J
R 708 (A,41,23)	RS1/16SS0R0J
R 709 (A,41,22)	RS1/16SS0R0J
R 722 (B,37,23)	RS1/16SS0R0J

CAPACITORS

1

2

3

4

Circuit Symbol and No.**Part No.****Circuit Symbol and No.****Part No.**

A	C 104	(B,12,56)	CKSQYB475K6R3
	C 112	(B,18,55)	CKSSYB102K50
	C 203	(A,19,35)	CKSSYB104K10
	C 209	(A,18,28)	CKSRYB104K16
	C 210	(A,22,22)	CKSSYB104K10
	C 211	(A,25,24)	CKSSYB104K10
	C 212	(A,39,34)	CKSSYB104K10
	C 213	(A,41,42)	CKSSYB332K50
	C 214	(A,41,41)	CKSSYB473K16
	C 215	(A,39,38)	CKSSYB104K10
	C 216	(A,36,47)	CKSSYB182K50
	C 217	(A,32,47)	CCSSCH560J50
	C 218	(A,30,47)	CCSSCH4R0C50
B	C 219	(A,33,44)	CKSSYB104K10
	C 220	(B,33,42)	CKSSYB104K10
	C 221	(A,36,43)	CKSSYB104K10
	C 222	(A,30,44)	CKSSYB104K10
	C 223	(A,26,45)	CCSSCH680J50
	C 224	(A,24,45)	CCSSCH470J50
	C 225	(A,21,44)	CKSSYB103K16
	C 228	(A,33,47)	CCSSCH270J50
	C 229	(B,29,41)	CKSSYB104K10
	C 231	(B,45,28)	CKSSYB102K50
	C 232	(B,46,28)	CKSSYB102K50
C	C 233	(B,26,26)	CKSSYB103K16
	C 235	(A,38,47)	CKSSYB103K16
	C 236	(B,27,42)	CKSSYB104K10
	C 238	(A,16,36)	CKSRYB104K16
	C 299	(A,18,34)	CKSSYB104K10
	C 304	(A,61,36)	CKSSYB472K25
	C 305	(A,59,36)	CKSSYB223K16
	C 306	(A,69,21)	CKSRYB105K10
	C 310	(A,54,30)	CKSSYB102K50
	C 311	(A,55,32)	CKSSYB102K50
D	C 701	(A,48,20)	CKSSYB104K10
	C 710	(B,43,11)	CKSSYB102K50

D 1504	(B,163,10) Diode	1SS352
D 1505	(B,178,9) Diode	1SS352
D 1506	(B,133,18) Diode	UDZS16(B)
D 1507	(B,124,19) Diode	UDZS5R1(B)
D 1508	(B,134,28) Diode	RB160M-30
D 1509	(B,142,24) Diode	UDZS3R9(B)
D 1510	(A,24,81) LED	SML-311DT(JK)
D 1511	(A,14,70) LED	SML-311DT(JK)
D 1514	(A,24,53) LED	SML-311DT(JK)
D 1515	(A,42,34) LED	SML-311DT(JK)
D 1518	(A,44,71) LED	SML-311DT(JK)
D 1519	(A,62,52) LED	SML-311DT(JK)
D 1520	(A,22,18) LED	SML-311DT(JK)
D 1521	(A,47,18) LED	SML-311DT(JK)
D 1522	(A,78,71) LED	SML-311DT(JK)
D 1523	(A,78,56) LED	SML-311DT(JK)
D 1524	(A,68,22) LED	SML-311DT(JK)
D 1525	(A,78,32) LED	SML-311DT(JK)
D 1527	(A,78,13) LED	SML-311DT(JK)
D 1528	(A,87,22) LED	SML-311DT(JK)
D 1529	(A,29,92) LED	SML-311DT(JK)
D 1530	(A,170,92) LED	SML-311DT(JK)
D 1531	(A,119,37) LED	SML-311DT(JK)
D 1532	(A,105,37) LED	SML-311DT(JK)
D 1533	(A,135,19) LED	SML-311DT(JK)
D 1534	(A,119,19) LED	SML-311DT(JK)
D 1535	(A,104,19) LED	SML-311DT(JK)
D 1539	(A,181,19) LED	SML-311DT(JK)
D 1540	(A,166,19) LED	SML-311DT(JK)
D 1541	(A,150,19) LED	SML-311DT(JK)
D 1554	(B,109,10) Diode	1SS352
D 1555	(B,114,10) Diode	1SS352
D 1556	(B,59,49) Diode	1SS352
D 1558	(A,50,59) LED	SML-311DT(JK)
D 1559	(A,36,59) LED	SML-311DT(JK)
D 1560	(A,36,46) LED	SML-311DT(JK)
D 1561	(A,50,46) LED	SML-311DT(JK)
L 1500	(B,115,27) Chip Coil	ATH1167
L 1501	(B,122,26) Choke Coil	CTH1470
L 1502	(B,118,68) Inductor	CTF1473
TH1500	(B,134,20) Thermistor	CCX1089
X 1500	(B,102,50) Oscillator 20.000 MHz	CSS1747
S 1534	(A,43,53) Encoder(Multi Knob)	CSD1168
CN1501	(B,154,59) Connector	CKS6238
CN1502	(B,186,44) Connector	CKS5561
JA1500	(A,12,19) Connector	CKS5058
V 1500	(A,156,45) OEL Module	MXS4020

Keyboard Unit**Consists of****Keyboard PCB****BT ANT PCB****DE****Unit Number: CWN5914****Unit Name : Keyboard Unit****MISCELLANEOUS**

IC 1500	(B,128,21) IC	XC9105D091MR-G
IC 1501	(B,102,61) IC	PE5758A8
Q 1500	(B,128,28) DCDC	RSR025N03
Q 1501	(B,122,65) Transistor	ISA1602AM1
Q 1502	(B,128,56) Transistor	2SA1577
Q 1504	(B,123,57) Transistor	2SC4154-11
D 1500	(B,88,59) Diode	1SS352
D 1501	(B,88,61) Diode	1SS352
D 1502	(B,88,63) Diode	1SS352
D 1503	(B,88,64) Diode	1SS352

RESISTORS

R 1500	(B,132,21)	RS1/16SS683J
R 1501	(B,130,19)	RS1/16SS5601F
R 1502	(B,130,21)	RS1/16SS621J
R 1503	(B,134,21)	RS1/16SS303J
R 1504	(B,172,60)	RS1/16SS102J
R 1505	(B,122,18)	RS1/16SS751J
R 1506	(B,128,19)	RS1/16SS104J
R 1507	(B,135,56)	RS1/16SS101J
R 1508	(B,102,69)	RS1/16SS221J
R 1511	(B,135,58)	RS1/16SS221J

1

2

3

4

5		6		7		8		
<u>Circuit Symbol and No.</u>		<u>Part No.</u>		<u>Circuit Symbol and No.</u>		<u>Part No.</u>		
R 1512	(B,135,53)	RS1/16SS101J		R 1578	(B,74,54)	RS1/16S182J		
R 1513	(B,173,50)	RS1/16SS203J		R 1579	(B,67,18)	RS1/16S471J		
R 1514	(B,92,56)	RS1/16SS473J		R 1580	(B,67,21)	RS1/16S681J		
R 1515	(B,93,54)	RS1/16SS473J		R 1581	(B,89,19)	RS1/16S471J	A	
R 1516	(B,173,51)	RS1/16SS223J		R 1582	(B,89,20)	RS1/16S681J		
R 1517	(B,93,52)	RS1/16SS473J		R 1583	(B,27,87)	RS1/16S271J		
R 1518	(B,99,69)	RS1/16SS332J		R 1584	(B,27,90)	RS1/16S272J		
R 1519	(B,98,69)	RS1/16SS332J		R 1585	(B,116,38)	RS1/16S820J		
R 1520	(B,92,50)	RS1/16SS473J		R 1586	(B,118,38)	RS1/16S152J		
R 1521	(B,93,51)	RS1/16SS102J		R 1587	(B,108,18)	RS1/16S471J		
R 1522	(B,93,53)	RS1/16SS102J		R 1588	(B,105,18)	RS1/16S681J		
R 1523	(B,93,55)	RS1/16SS102J		R 1591	(B,142,12)	RS1/16S471J		
R 1524	(B,93,57)	RS1/16SS102J		R 1592	(B,144,12)	RS1/16S681J		
R 1525	(B,93,60)	RS1/16SS102J		R 1596	(B,126,58)	RS1/16SS222J		
R 1526	(B,93,61)	RS1/16SS102J		R 1597	(B,128,58)	RS1/16SS473J	B	
R 1527	(B,93,63)	RS1/16SS102J		R 1600	(B,121,57)	RS1/16SS473J		
R 1528	(B,93,64)	RS1/16SS102J		R 1601	(B,120,55)	RS1/16SS103J		
R 1529	(B,93,66)	RS1/16SS102J		R 1603	(B,144,22)	RS1/16SS222J		
R 1530	(B,93,67)	RS1/16SS102J		R 1604	(B,105,51)	RS1/16SS473J		
R 1531	(B,93,68)	RS1/16SS102J		R 1605	(B,106,51)	RS1/16SS473J		
R 1532	(B,129,24)	RS1/16S511J		R 1611	(B,51,38)	RS1/16S271J		
R 1533	(B,97,69)	RS1/16SS102J		R 1612	(B,54,38)	RS1/16S272J		
R 1534	(B,100,69)	RS1/16SS102J		R 1613	(B,34,37)	RS1/16S271J		
R 1536	(B,134,23) 0.1 ohm	CCN1186		R 1614	(B,34,40)	RS1/16S272J		
R 1537	(B,112,68)	RS1/16SS473J		<u>CAPACITORS</u>				C
R 1538	(B,112,69)	RS1/16SS473J		C 1500	(B,115,22) 10 uF	CCG1236		
R 1539	(B,127,69)	RS1/16SS102J		C 1501	(B,91,51)	CKSSYB102K50		
R 1540	(B,102,52)	RS1/16SS0R0J		C 1502	(B,91,53)	CKSSYB102K50		
R 1541	(B,127,70)	RS1/16SS102J		C 1503	(B,91,55)	CKSSYB102K50		
R 1542	(B,108,69)	RS1/16SS221J		C 1504	(B,173,60)	CKSSYB104K10		
R 1544	(B,110,68)	RS1/16SS221J		C 1505	(B,91,57)	CKSSYB102K50		
R 1545	(B,109,55)	RS1/16SS101J		C 1506	(B,126,19)	CKSRYB105K16		
R 1546	(B,109,50)	RS1/16SS102J		C 1507	(B,91,60)	CKSSYB102K50		
R 1547	(B,109,52)	RS1/16SS101J		C 1508	(B,91,61)	CKSSYB102K50		
R 1548	(B,109,53)	RS1/16SS101J		C 1509	(B,162,31)	CKSRYB104K50	D	
R 1549	(B,142,21)	RS1/16S5R1J		C 1510	(B,165,31)	CKSRYB104K50		
R 1550	(B,111,59)	RS1/16SS102J		C 1511	(B,91,63)	CKSSYB102K50		
R 1551	(B,111,61)	RS1/16SS102J		C 1512	(B,91,64)	CKSSYB102K50		
R 1552	(B,111,63)	RS1/16SS102J		C 1513	(B,132,23)	CCSRCH120J50		
R 1553	(B,111,65)	RS1/16SS102J		C 1514	(B,91,66)	CKSSYB102K50		
R 1554	(B,111,55)	RS1/16SS104J		C 1515	(B,91,67)	CKSSYB102K50		
R 1555	(B,111,57)	RS1/16SS101J		C 1516	(B,159,31)	CKSRYB104K50		
R 1556	(B,115,64)	RS1/16SS473J		C 1517	(B,97,52)	CKSSYB103K16		
R 1557	(B,118,48)	RS1/16SS0R0J		C 1518	(B,97,51)	CKSSYB103K16		
R 1558	(B,109,51)	RS1/16SS0R0J		C 1519	(B,121,21) 10 uF	CCG1192		
R 1559	(B,115,63)	RS1/16SS473J		C 1520	(B,99,51)	CKSRYB105K10	E	
R 1560	(B,122,67)	RS1/16SS103J		C 1521	(B,121,19) 10 uF	CCG1192		
R 1561	(B,19,69)	RS1/16S181J		C 1522	(B,138,28)	CKSYB225K25		
R 1562	(B,17,69)	RS1/16S182J		C 1523	(B,138,25)	CKSYB225K25		
R 1563	(B,121,67)	RS1/16SS103J		C 1524	(B,107,51)	CKSSYB103K16		
R 1566	(B,121,65)	RS1/16SS222J		C 1525	(B,138,23)	CKSYB225K25		
R 1567	(B,45,28)	RS1/16S101J		C 1526	(B,138,20)	CKSYB225K25		
R 1568	(B,45,31)	RS1/16S102J		C 1527	(B,111,66)	CKSSYB103K16		
R 1569	(B,120,63)	RS1/16SS392J		C 1528	(B,113,57)	CCSSCH101J50		
R 1572	(B,118,63)	RS1/16SS822J		C 1529	(B,113,61)	CKSSYB103K16		
R 1573	(B,51,37)	RS1/16S101J		C 1530	(B,113,65)	CCSSCH102J50	F	
R 1574	(B,54,37)	RS1/16S102J		C 1531	(B,113,63)	CCSSCH102J50		
R 1575	(B,53,19)	RS1/16S681J		C 1532	(B,116,67)	CKSSYB104K16		
R 1576	(B,50,19)	RS1/16S182J		C 1533	(B,118,67)	CKSSYB102K50		
R 1577	(B,74,51)	RS1/16S181J						

1

2

3

4

Circuit Symbol and No.**Part No.**

C 1534	(B,119,65)	CKSRYB105K10
C 1535	(B,118,65)	CKSRYB105K10
C 1538	(B,119,57)	CKSSYB223K16
C 1540	(B,152,72)	CKSSYB103K16
C 1541	(B,152,71)	CKSSYB103K16
C 1545	(B,117,32)	CKSRYB104K50

Miscellaneous Parts List

M 1	Motor Unit(SPDL)	CXE3767
M 2	Motor Unit(LOAD/CRG)	CXC4026
	Pickup Unit(P10.5)(Service)	CXX1942

DEH-8018ZT/XUUC

106

1

2

3

4