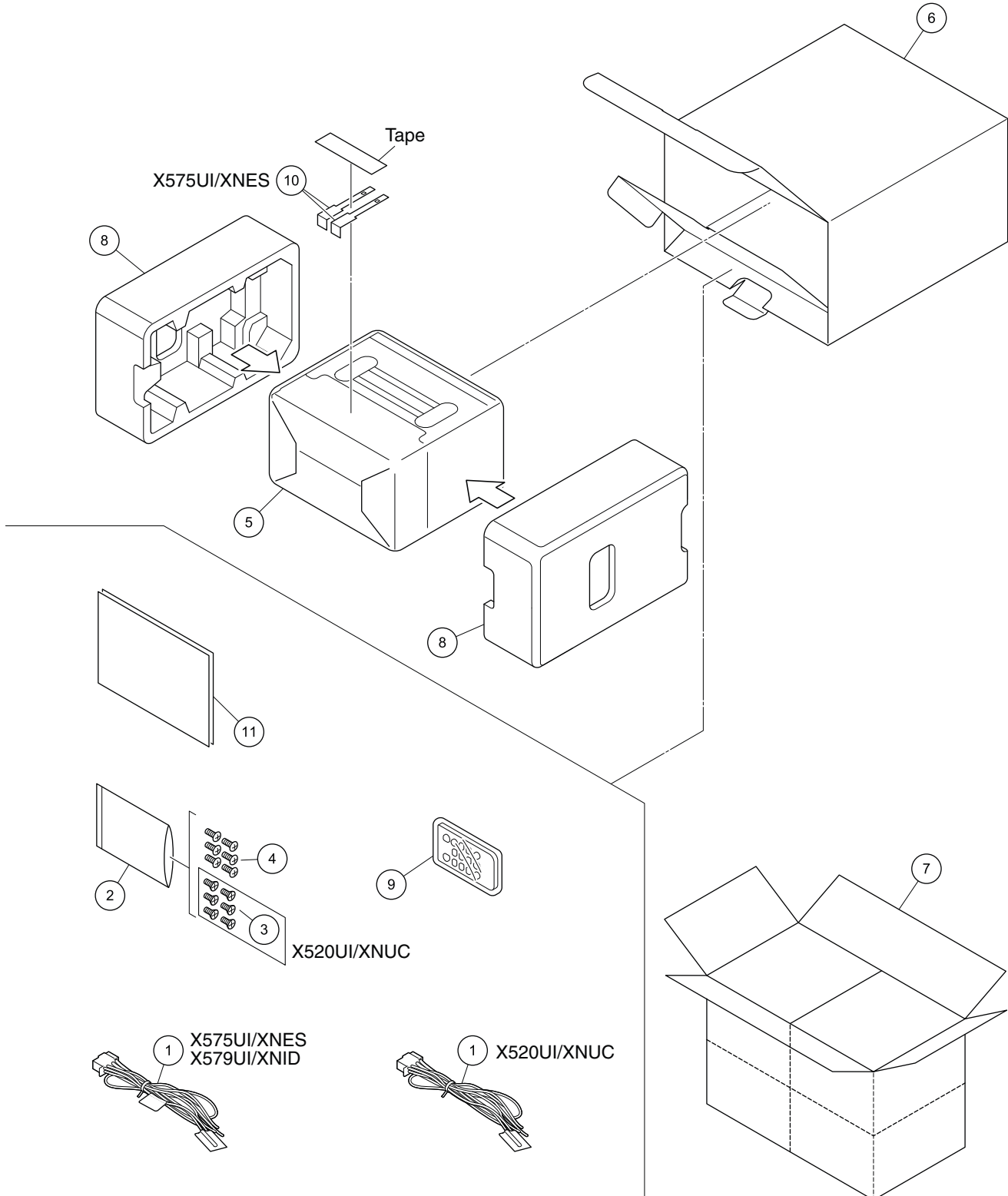


# 9. EXPLODED VIEWS AND PARTS LIST

NOTES : • Parts marked by "\*" are generally unavailable because they are not in our Master Spare Parts List.

- The ⚠ mark found on some component parts indicates the importance of the safety factor of the part. Therefore, when replacing, be sure to use parts of identical designation.
- Screw adjacent to ▽ mark on the product are used for disassembly.
- For the applying amount of lubricants or glue, follow the instructions in this manual.  
(In the case of no amount instructions, apply as you think it appropriate.)

## 9.1 PACKING



**(1) PACKING SECTION PARTS LIST**

<u>Mark No.</u>	<u>Description</u>	<u>Part No.</u>	<u>Mark No.</u>	<u>Description</u>	<u>Part No.</u>
1	Cord Assy	See Contrast table (2)	8	Protector	See Contrast table (2)
2	Polyethylene Bag	CEG1160	9	Card Remote Control Unit	QXE1047
3	Screw	See Contrast table (2)	10	Handle	See Contrast table (2)
4	Screw	TRZ50P080FTC			
5	Cover	See Contrast table (2)	11-1	Owner's Manual	See Contrast table (2)
			*	11-2 Warranty Card	See Contrast table (2)
6	Unit Box	See Contrast table (2)	*	11-3 Service Network	See Contrast table (2)
7	Contain Box	See Contrast table (2)			

**(2) CONTRAST TABLE**

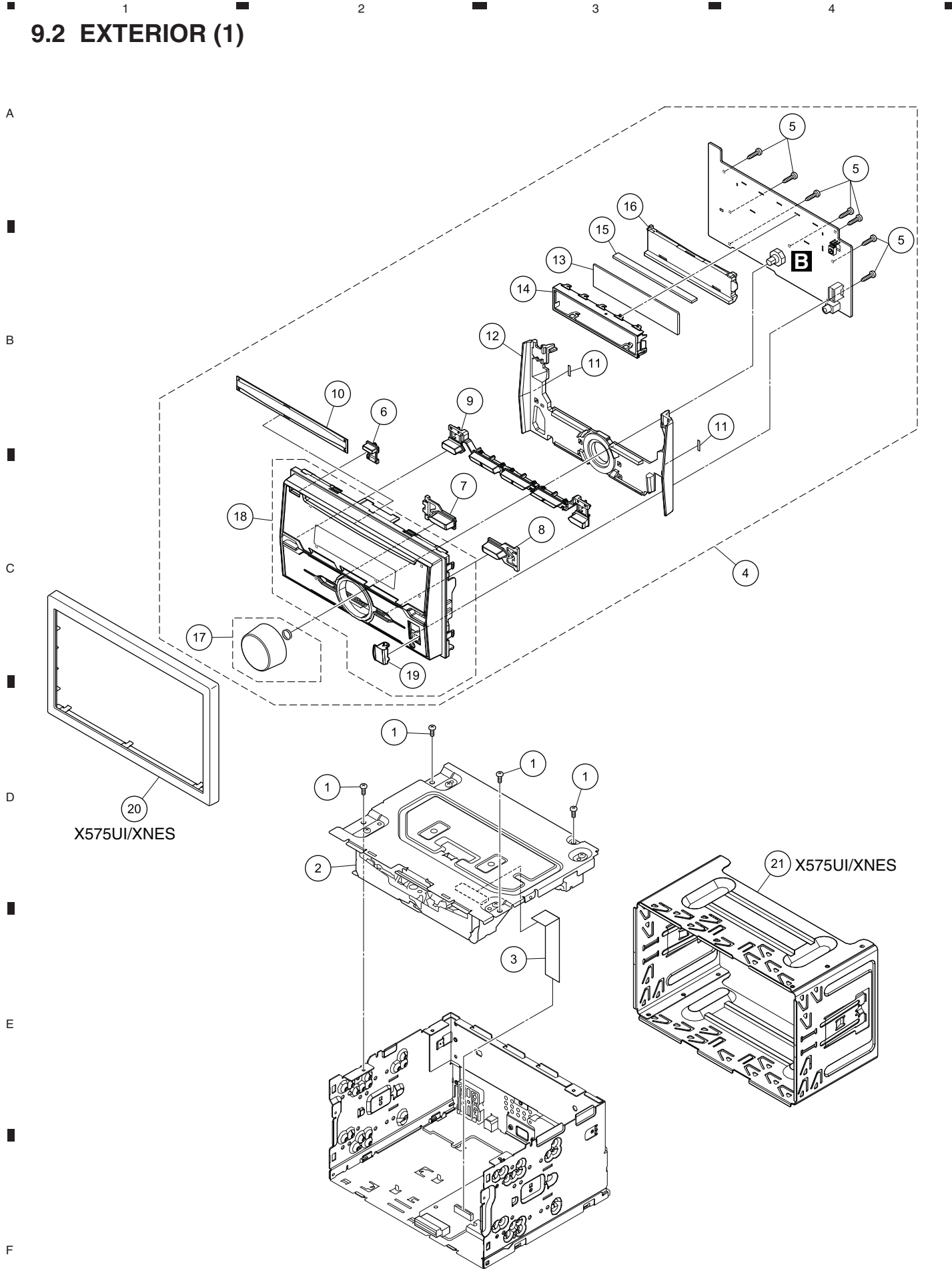
FH-X520UI/XNUC, FH-X575UI/XNES and FH-X579UI/XNID are constructed the same except for the following:

Mark	No.	Description	FH-X520UI/XNUC	FH-X575UI/XNES	FH-X579UI/XNID
	1	Cord Assy	CDP1484	QDP3075	QDP3075
	3	Screw	CRZ50P090FTC	Not used	Not used
	5	Cover	CEG1359	CEG1356	CEG1356
	6	Unit Box	QHG3702	QHG3701	QHG3703
	7	Contain Box	QHL3702	QHL3701	QHL3703
	8	Protector	QHP3033	QHP3041	QHP3033
	10	Handle	Not used	CND6289	Not used
	11-1	Owner's Manual	QRD3295	QRD3296	QRB3493
*	11-2	Warranty Card	QRY3001	Not used	CRY1304
*	11-3	Service Network	Not used	Not used	CRY1305

**Owner's Manual, Installation Manual**

Part No.	Language
QRD3295	English, French, Spanish(Espanol)
QRD3296	English, Spanish(Espanol), Portuguese(B), Traditional Chinese, Arabic, Persian
QRB3493	English

# 9.2 EXTERIOR (1)



**(1) EXTERIOR (1) SECTION PARTS LIST**

<u>Mark No.</u>	<u>Description</u>	<u>Part No.</u>	<u>Mark No.</u>	<u>Description</u>	<u>Part No.</u>
1	Screw	BSZ26P060FTC	12	Lighting Conductor	QNV3104
2	CD Mechanism Module (S11.6 STD-FH) CXK5806		13	Segment LCD (V1801)	CAW2041
3	FFC	QDE3029	14	Holder	QNC3088
4	Grille Assy	See Contrast table (2)	15	Rubber Connector	QNV3079
5	Screw	BPZ20P080FTC			
6	Button (EJECT)	QAC3187	16	Lighting Conductor	QNV3093
7	Button (<)	QAC3191	17	Knob Unit	QXA4278
8	Button (>)	QAC3196	18	Grille Unit	See Contrast table (2)
9	Button (MIX, 1-6, DISP)	See Contrast table (2)	19	Door	QAT3016
10	Cover	QNM3029	20	Panel	See Contrast table (2)
			21	Holder	See Contrast table (2)
11	Sheet	QNM3129			

**(2) CONTRAST TABLE**

FH-X520UI/XNUC, FH-X575UI/XNES and FH-X579UI/XNID are constructed the same except for the following:

Mark	No.	Description	FH-X520UI/XNUC	FH-X575UI/XNES	FH-X579UI/XNID
	4	Grille Assy	QXA4298	QXA4297	QXA4299
	9	Button (MIX, 1-6, DISP)	QAC3203	QAC3188	QAC3188
	18	Grille Unit	QXA4289	QXA4288	QXA4290
	20	Panel	Not used	QNS3830	Not used
	21	Holder	Not used	CND7102	Not used

# 9.3 EXTERIOR (2)

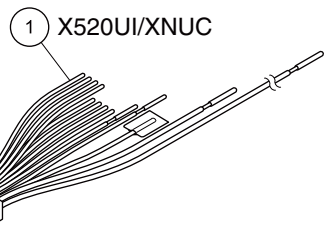
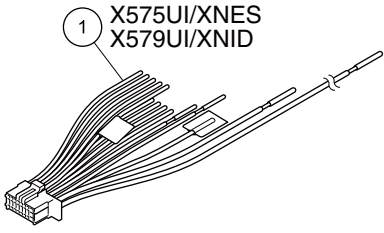
1

2

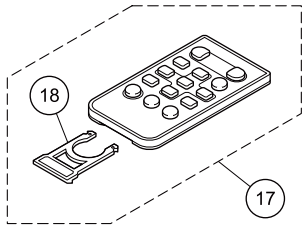
3

4

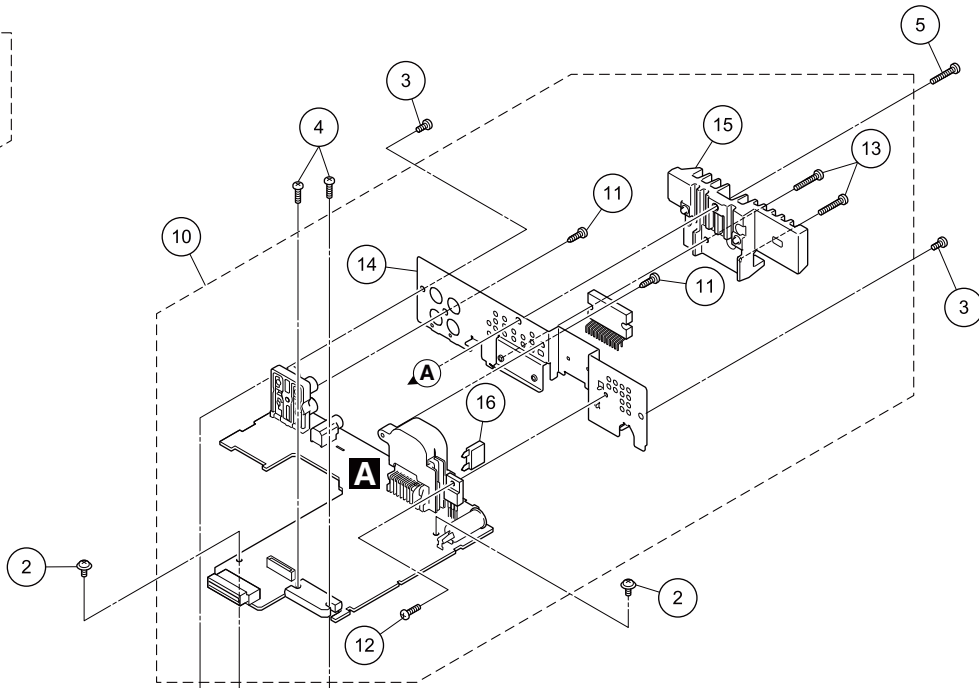
A



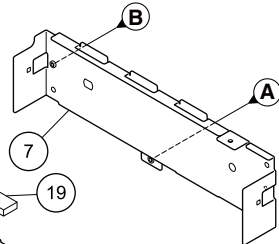
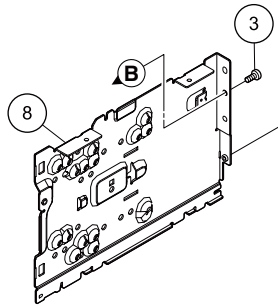
B



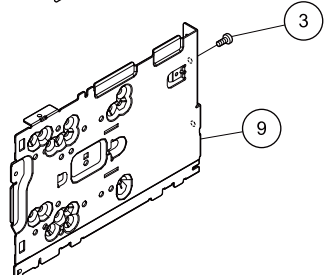
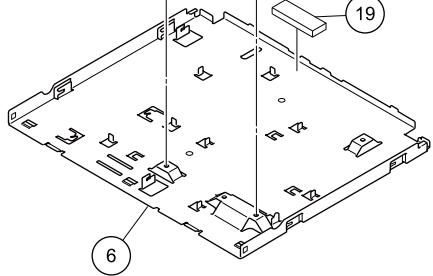
C



D



E



F

1

2

3

4

**(1) EXTERIOR (2) SECTION PARTS LIST**

<u>Mark No.</u>	<u>Description</u>	<u>Part No.</u>	<u>Mark No.</u>	<u>Description</u>	<u>Part No.</u>
1	Cord Assy	See Contrast table (2)	11	Screw	BPZ26P080FTC
2	Screw	ASZ26P050FTC	12	Screw	BSZ26P060FTC
3	Screw	BSZ26P060FTC	13	Screw	BSZ26P120FTC
4	Screw	BSZ26P080FTC	14	Holder	QNC3049
5	Screw	BSZ26P120FTC	15	Heat Sink	See Contrast table (2)
6	Case	QNB3021			
7	Holder	QNC3057	⚠	Fuse (10 A)	YEK5001
8	Bracket	QNC3093	17	Card Remote Control Unit	QXE1047
9	Bracket	QNC3094	18	Cover	CNS7068
10	Tuner Amp Unit	See Contrast table (2)	19	Sheet	See Contrast table (2)

**(2) CONTRAST TABLE**

FH-X520UI/XNUC, FH-X575UI/XNES and FH-X579UI/XNID are constructed the same except for the following:

Mark	No.	Description	FH-X520UI/XNUC	FH-X575UI/XNES	FH-X579UI/XNID
	1	Cord Assy	CDP1484	QDP3075	QDP3075
	10	Tuner Amp Unit	QWM3919	QWM3920	QWM3921
	15	Heat Sink	QNR3010	QNR3002	QNR3002
	19	Sheet	QNM3130	Not used	Not used

# 9.4 CD MECHANISM MODULE

A

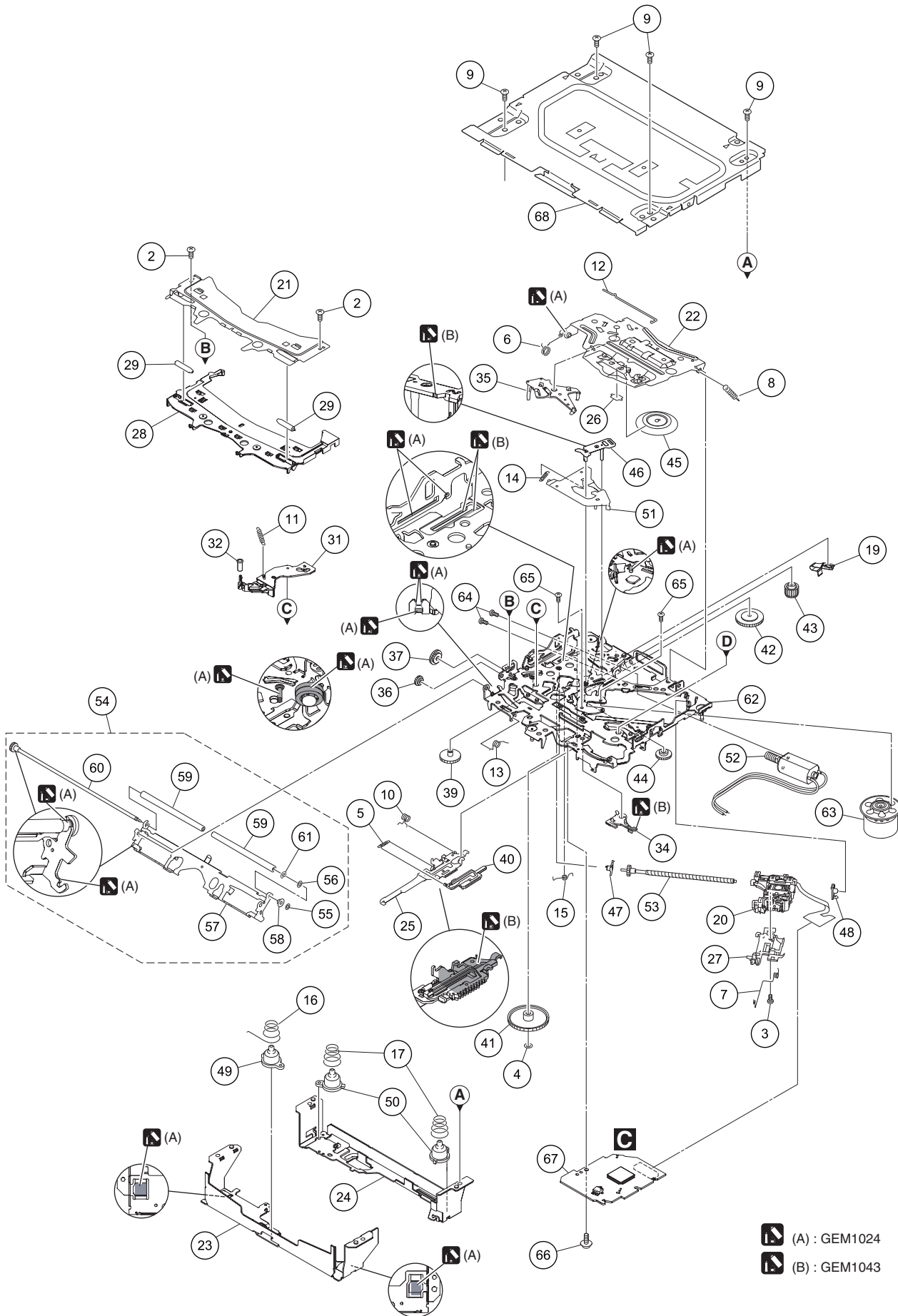
B

C

D

E

F



(A) : GEM1024  
 (B) : GEM1043

## CD MECHANISM MODULE SECTION PARTS LIST

<u>Mark No.</u>	<u>Description</u>	<u>Part No.</u>	<u>Mark No.</u>	<u>Description</u>	<u>Part No.</u>
1	.....		50	Damper	CNW1198
2	Screw	BSZ20P040FTC	51	Arm	CNW1726
3	Screw(M2 x 4)	CBA1835	52	Motor Unit(M2)(LOAD/CRG)	CXC4026
4	Washer	CBF1038	53	Screw Unit	CXC8894
5	Spring	CBH3010	54	Arm Assy	CXE6232
6	Spring	CBH2855	55	Washer	CBF1037
7	Spring	CBH2856	56	Washer	CBF1038
8	Spring	CBH2860	57	Arm	CND6242
9	Screw	BSZ26P060FTC	58	Collar	CNW2444
10	Spring	CBH3011	59	Roller	CNW2500
11	Coil Spring	CBH3095	60	Gear Unit	CXE6225
12	Spring	CBH3014	61	Washer	YE15FTC
13	Spring	CBH3015	62	Chassis Unit	CXE4528
14	Spring	CBH3016	63	Motor Unit(M1)(SPDL)	CXE2273
15	Spring	CBH3017	64	Screw	JFZ20P025FTC
16	Spring	CBH3086	65	Screw	JGZ17P022FTC
17	Spring	CBH3019	66	Screw	EBA1028
18	.....		67	CD Core Unit (S11.6STD)	CWX4023
19	Leaf Spring	CBL1824	68	Case	CNB3762
20	PU Unit(P10.6)(Service)	CXX3556			
21	Bracket	CND4553			
22	Arm	CND6406			
23	Bracket	CND6127			
24	Bracket	CND5710			
25	Lever	CND6834			
26	Sheet	CNN3678			
27	Rack	CNV8342			
28	Guide	CNW3489			
29	Roller	CNW1172			
30	.....				
31	Arm	CNW2241			
32	Roller	CNW1175			
33	.....				
34	Arm	CNW1177			
35	Arm	CNW1178			
36	Gear	CNW1180			
37	Gear	CNW1181			
38	.....				
39	Gear	CNW1183			
40	Rack	CNW1184			
41	Gear	CNW1185			
42	Gear	CNW1186			
43	Gear	CNW1187			
44	Gear	CNW2287			
45	Clamper	CNW1190			
46	Arm	CNW1192			
47	Holder	CNW1193			
48	Holder	CNW1194			
49	Damper	CNW1197			

# 12. ELECTRICAL PARTS LIST

**NOTE:**

- Parts whose parts numbers are omitted are subject to being not supplied.
- The part numbers shown below indicate chip components.

Chip Resistor

RS1/○S○○○○J,RS1/○○S○○○○J

Chip Capacitor (except for CQS.....)

CKS....., CCS....., CSZS.....

- The  $\triangle$  mark found on some component parts indicates the importance of the safety factor of the part. Therefore, when replacing, be sure to use parts of identical designation.
- Meaning of the figures and others in the parentheses in the parts list.

Example) IC 301 is on the point (face A, 91 of x-axis, and 111 of y-axis) of the corresponding PC board.

IC 301 (A, 91, 111) IC NJM2068V

- The expression of the unit in this manual is shown by u instead of  $\mu$ . Please do not make a mistake.

	<u>Circuit Symbol and No.</u>	<u>Part No.</u>	<u>Circuit Symbol and No.</u>	<u>Part No.</u>
<b>A:</b>	FH-X520UI/XNUC		IC 801 (A,103,18) L-MOS And Gate	TC7SET08FUS1
<b>B:</b>	FH-X575UI/XNES		IC 911 (A,143,27) IC	BA49183-V12
<b>C:</b>	FH-X579UI/XNID		Q 251 (A,12,129) Transistor	EMH53
			Q 252 (A,22,130) Transistor	EMH53
			Q 301 (A,85,126) Transistor	EMD52
<b>Unit Number:</b>	QWM3919(A)		Q 531 (A,92,92) Transistor	LSAR523UB
<b>Unit Number:</b>	QWM3920(B)		Q 601 (A,91,94) Transistor(B,C)	RN4982
<b>Unit Number:</b>	QWM3921(C)		Q 751 (A,140,138) Transistor	KTD2092
<b>Unit Name :</b>	Tuner Amp Unit		Q 752 (A,139,132) Transistor	EMD52
<b>Unit Number:</b>			Q 871 (A,142,58) Transistor	2SAR502UB
<b>Unit Name :</b>	Keyboard Unit		Q 872 (A,142,66) Transistor	LTC143EUB
<b>Unit Number:</b>	CWX4023		Q 941 (A,95,121) Transistor	LSCR523UB
<b>Unit Name :</b>	CD Core Unit (S11.6STD)		Q 951 (A,122,109) Transistor(B,C)	LSAR523UB
			Q 1011 (A,129,105) Transistor	LTC014EEB
			D 301 (A,103,124) Diode(A)	CRG03
			D 302 (A,100,124) Diode	CRG03
			D 551 (A,21,123) Diode	CMS30I30A
			D 552 (A,20,103) Diode	RB056L-40
			D 601 (A,128,80) Diode(A)	RB751SM-40
			D 602 (A,132,69) Diode(A)	RB751SM-40
			D 751 (A,135,134) Diode	DZ2J082M0
			D 802 (A,91,16) Diode	DZ2S068C
			D 803 (A,125,14) Diode	DZ2S068C
			D 804 (A,118,12) Diode	DZ2S068C
			D 805 (A,119,12) Diode	DZ2S068C
			D 806 (A,114,12) Diode	DZ2S068C
			D 807 (A,112,12) Diode	DZ2S068C
			D 901 (A,139,126) Diode	D1F60-5053
			D 902 (A,136,126) Diode	D1F60-5053
			D 911 (A,156,66) Diode	CRG03
			D 912 (A,159,66) Diode	CRG03
			D 941 (A,92,124) Diode	DZ2J068M0
			D 951 (A,120,112) Diode(B,C)	DAN202UM
			D 1011 (A,126,107) Diode	CRG03
			L 202 (A,93,101) Inductor	CTF1793
			L 402 (A,137,91) Inductor(A)	LCTAW150J2520
			(A,137,91) Chip Coil(B,C)	LCTAW3R3J2520
			L 403 (A,137,95) Chip Coil(B,C)	LCTAWR27J2520
			L 404 (A,139,105) Inductor(A)	CTF1389
			L 406 (A,143,77) Inductor(A)	CTF1786
			L 408 (A,148,103) Inductor	LCMAR27J1608
<b>MISCELLANEOUS</b>				
IC 201 (A,100,105) E-VOL SYS LSI	PM9013A			
IC 301 (A,77,141) IC(A)	PAL013A			
(A,77,141) IC(B,C)	PA2032A			
IC 401 (A,144,85) IC	TEF6686HN			
IC 451 (A,158,75) IC	MM3571A33P			
IC 531 (A,92,83) IC	337S3959			
IC 551 (A,18,110) IC	KBD9876EFJ			
IC 552 (A,105,23) IC	BD2232G-G			
IC 601 (A,109,76) IC	R5S726A0D216FP			
IC 671 (A,130,74) IC	S-80827CNMC-B8M			
IC 681 (A,113,93) Flash Memory IC(A)	* PEB151A8			
(A,113,93) Flash Memory IC(B,C)	* PEB150A8			

5		6		7		8	
<u>Circuit Symbol and No.</u>		<u>Part No.</u>		<u>Circuit Symbol and No.</u>		<u>Part No.</u>	
L 410	(A,139,107) Inductor(B,C)	ATL7033		R 553	(A,26,111)	RS1/16SS1803D	
L 551	(A,29,105) Inductor	CTH1584		R 554	(A,26,109)	RS1/16SS4302D	
L 801	(A,113,16) Inductor	CTF1713		R 555	(A,38,123)	RS1/10SR471J	
L 901	(A,111,140) Choke Coil 600 uH	CTH1432		R 601	(A,93,68) (B,C)	RS1/16SS473J	A
L 951	(A,120,114) Chip Coil(B,C)	BTH1101		R 602	(A,120,68)	RS1/16SS102J	
T 401	(A,145,96) Variable Coil	CTC1215		R 604	(A,115,59) (B,C)	RS1/16SS473J	
X 401	(A,153,85) Resonator 9.216 MHz	CSS1864		R 609	(A,121,63)	RS1/16SS473J	
X 601	(A,125,74) Resonator 12.0 MHz	CSS1847		R 610	(A,121,65)	RS1/16SS473J	
X 602	(A,116,89) Ceramic Resonator 16.934 MHz	CSS1603		R 611	(A,122,68)	RS1/16SS473J	
△ P251	(A,4,129) Fuse 3.0 A	CEK1386		R 613	(A,120,75)	RS1/16SS152J	
P 402	(A,154,108) Absorber	HSPC16701B02		R 614	(A,121,77)	RS1/16SS473J	
VA801	(A,106,12) Varistor	MLV0402ES012V0010N		R 615	(A,129,77)	RS1/16SS473J	
VA802	(A,100,12) Varistor	MLV0402ES012V0010N		R 616	(A,125,67)	RS1/16SS473J	
CN701	(A,112,31) Connector	VKN1192		R 617	(A,130,80)	RS1/16SS103J	
CN801	(A,108,3) Connector	CKS6452		R 618	(A,124,81) (B,C)	RS1/16SS473J	B
JA251	(A,17,137) Jack	CKB1109		R 619	(A,125,81) (A)	RS1/16SS473J	
					(A,125,81) (B)	RS1/16SS223J	
JA 401	(A,156,128) Plug	YKS5041			(A,125,81) (C)	RS1/16SS103J	
JA891	(A,41,137) Jack	CKS6437		R 622	(A,124,86)	RS1/16SS473J	
JA901	(A,112,140) Plug	CKM1624					
△	Fuse (10 A)	YEK5001		R 623	(A,128,84)	RAB4CQ473J	
				R 625	(A,112,89)	RS1/16SS221J	
				R 626	(A,111,88)	RS1/16SS221J	
				R 627	(A,110,87)	RS1/16SS221J	
				R 628	(A,110,89)	RS1/16SS221J	
				R 629	(A,107,90)	RS1/16SS221J	
				R 630	(A,108,88)	RS1/16SS221J	C
R 251	(A,16,130)	RS1/16SS821J		R 631	(A,106,91)	RS1/16SS473J	
R 252	(A,11,127)	RS1/16SS821J		R 632	(A,104,90)	RS1/16SS473J	
R 253	(A,14,130)	RS1/16SS223J		R 633	(A,105,89)	RS1/16SS101J	
R 254	(A,11,129)	RS1/16SS223J					
R 255	(A,28,131)	RS1/16SS821J		R 634	(A,101,87)	RS1/16SS102J	
R 256	(A,18,130)	RS1/16SS821J		R 636	(A,98,90)	RS1/16SS473J	
R 257	(A,26,130)	RS1/16SS223J		R 637	(A,99,89)	RS1/16SS473J	
R 258	(A,20,130)	RS1/16SS223J		R 638	(A,102,91)	RS1/16SS473J	
R 305	(A,88,126)	RS1/16SS103J		R 643	(A,98,81)	RS1/16SS104J	
R 306	(A,88,128)	RS1/16SS221J					
R 307	(A,87,127)	RS1/16SS223J		R 644	(A,97,78)	RS1/16SS101J	
R 309	(A,88,124)	RS1/16SS103J		R 645	(A,94,78)	RS1/16SS101J	
R 401	(A,145,91)	RS1/16SS0R0J		R 646	(A,132,72) (A)	RS1/16SS103J	D
R 402	(A,143,91)	RS1/16SS0R0J			(A,132,72) (B,C)	RS1/16SS1002F	
R 403	(A,135,91) (A)	RS1/16SS391J		R 647	(A,97,76)	RS1/16SS101J	
	(A,135,91) (B,C)	RS1/16SS101J		R 648	(A,94,75)	RS1/16SS102J	
R 404	(A,142,108)	RS1/16SS105J					
R 405	(A,147,108)	RS1/16SS105J		R 649	(A,94,74)	RS1/16SS102J	
R 406	(A,146,80)	RS1/16SS101J		R 650	(A,94,73)	RS1/16SS102J	
R 407	(A,147,80)	RS1/16SS101J		R 651	(A,96,70)	RS1/16SS473J	
R 408	(A,149,81)	RS1/16SS103J		R 652	(A,96,68)	RS1/16SS222J	
				R 653	(A,98,65)	RS1/16SS103J	
R 410	(A,148,81)	RS1/16SS103J					
R 422	(A,144,77) (B,C)	RS1/16SS0R0J		R 655	(A,111,61)	RS1/16SS0R0J	
R 437	(A,147,77)	RS1/16SS472J		R 656	(A,113,63)	RS1/16SS0R0J	
R 438	(A,146,77)	RS1/16SS472J		R 659	(A,122,60)	RS1/16SS153J	E
R 452	(A,159,85)	RS1/16SS0R0J		R 660	(A,122,59)	RS1/16SS153J	
R 453	(A,143,73) (A)	RS1/10SR0R0J		R 664	(A,132,61)	RS1/16SS103J	
R 455	(A,161,88)	RS1/16SS0R0J					
R 531	(A,90,89)	RS1/16SS473J		R 667	(A,101,59)	RS1/16SS473J	
R 532	(A,90,86)	RS1/16SS222J		R 668	(A,101,58)	RS1/16SS473J	
R 533	(A,91,86)	RS1/16SS222J		R 671	(A,128,68)	RS1/16SS104J	
R 534	(A,93,86)	RS1/16SS272J		R 681	(A,107,96)	RS1/16SS473J	
				R 682	(A,109,90)	RS1/16SS473J	
R 535	(A,94,86)	RS1/16SS472J					
R 536	(A,96,87)	RS1/16SS472J		R 683	(A,118,91)	RS1/16SS473J	
R 537	(A,94,83)	RS1/16SS101J		R 684	(A,107,92)	RS1/16SS473J	
R 538	(A,94,82)	RS1/16SS101J		R 685	(A,118,95)	RS1/16SS473J	F
R 551	(A,24,110)	RS1/16SS682J		R 687	(A,126,95) (B,C)	RS1/10SR0R0J	
				R 701	(A,107,37)	RS1/16SS473J	
R 552	(A,29,111)	RS1/16SS0R0J		R 702	(A,112,37)	RS1/16SS104J	

1

**Circuit Symbol and No.**

R 703 (A,116,27)  
 R 704 (A,109,39)  
 R 706 (A,106,35)  
 R 707 (A,108,37)  
 R 708 (A,109,37)

2

**Part No.**

RAB4CQ472J  
 RS1/16SS104J  
 RS1/16SS221J  
 RS1/16SS221J  
 RS1/16SS101J

3

**Circuit Symbol and No.**

C 207 (A,93,107)  
 C 208 (A,93,105)  
 C 209 (A,92,103) 10 uF  
 C 210 (A,94,105)  
 C 211 (A,108,106)  
 C 212 (A,106,108) 10 uF  
 C 213 (A,107,105)  
 C 214 (A,107,103)  
 C 215 (A,107,101)

4

**Part No.**

CKSSYB104K10  
 CKSSYB104K10  
 CCG1192  
 CCSSCH151J50  
 CCSSCH151J50  
 CCG1192  
 CKSSYB104K10  
 CKSSYB104K10  
 CKSSYB104K10

R 709 (A,110,37)  
 R 710 (A,111,37)  
 R 711 (A,112,38)  
 R 715 (A,115,35)  
 R 716 (A,116,35)

RS1/16SS221J  
 RS1/16SS101J  
 RS1/16SS102J  
 RS1/16SS151J  
 RS1/16SS151J

C 216 (A,91,100) 10 uF  
 C 217 (A,93,99)  
 C 218 (A,113,108)  
 C 219 (A,111,102) 10 uF  
 C 220 (A,104,97) 10 uF

CCG1192  
 CKSSYB104K10  
 XCEVW470M16  
 CCG1192  
 CCG1192

R 717 (A,117,35)  
 R 718 (A,121,35)  
 R 719 (A,120,35)  
 R 752 (A,142,133)  
 R 753 (A,126,90)

RS1/16SS151J  
 RS1/16SS221J  
 RS1/16SS104J  
 RS1/4SA391J  
 RS1/16SS473J

C 221 (A,94,103)  
 C 223 (A,90,100) 1 uF  
 C 224 (A,113,102)  
 C 229 (A,109,111) 1 uF  
 C 236 (A,108,103)

CKSSYB102K50  
 DCH1246  
 CKSSYB104K10  
 DCH1246  
 CKSRYB105K10

R 754 (A,126,91)  
 R 801 (A,123,20)  
 R 803 (A,119,17)  
 R 804 (A,117,17)  
 R 805 (A,119,18)

RS1/16SS103J  
 RS1/10SR222J  
 RS1/16SS223J  
 RS1/16SS223J  
 RS1/10SR101J

C 251 (A,33,127) 10 uF  
 C 252 (A,15,126) 10 uF  
 C 253 (A,15,129)  
 C 254 (A,10,129)  
 C 255 (A,33,131) 10 uF

DCH1201  
 DCH1201  
 CCSSCH101J50  
 CCSSCH101J50  
 DCH1201

R 806 (A,117,19)  
 R 807 (A,118,19)  
 R 808 (A,122,19)  
 R 809 (A,114,20)  
 R 810 (A,112,20)

RS1/10SR101J  
 RS1/10SR101J  
 RS1/10SR222J  
 RS1/10SR220J  
 RS1/10SR220J

C 256 (A,29,129) 10 uF  
 C 257 (A,25,130)  
 C 258 (A,19,130)  
 C 260 (A,32,136)  
 C 261 (A,4,132)

DCH1201  
 CCSSCH101J50  
 CCSSCH101J50  
 CKSSYB104K10  
 CKSSYB103K16

R 813 (A,106,15)  
 R 814 (A,100,18)  
 R 815 (A,98,18)  
 R 816 (A,95,18)  
 R 817 (A,93,18)

RS1/10SR222J  
 RS1/10SR222J  
 RS1/16SS822J  
 RS1/10SR222J  
 RS1/10SR222J

C 301 (A,68,128)  
 C 303 (A,78,128)  
 C 305 (A,72,129)  
 C 307 (A,76,128)  
 C 313 (A,82,129) 2.2 uF

CKSRYB474K10  
 CKSRYB474K10  
 CKSRYB474K10  
 CKSRYB474K10  
 CCG1205

R 851 (A,91,19)  
 R 871 (A,141,64)  
 R 872 (A,141,61)  
 R 878 (A,122,25)  
 R 891 (A,56,136) (A)  
 (A,56,136) (B,C)

RS1/16SS472J  
 RS1/10SR332J  
 RS1/16SS103J  
 RS1/10SR473J  
 RS1/16SS102J  
 RS1/16SS1001F

C 314 (A,134,125)  
 C 318 (A,63,129) 10 uF/16 V  
 C 322 (A,104,125)  
 C 327 (A,86,128)  
 C 328 (A,51,129) 2.2 uF

CKSRYB104K16  
 DCH1263  
 CKSRYB104K16  
 CKSRYB105K10  
 CCG1205

R 892 (A,56,135)  
 R 900 (A,53,135) (B,C)  
 R 911 (A,144,39)  
 R 912 (A,139,40)  
 R 913 (A,152,40)  
 R 914 (A,129,39)

RS1/16SS102J  
 RS1/16SS471J  
 RS1/10SR1R0J  
 RS1/10SR1R0J  
 RS1/16SS223J  
 RS1/16SS223J

C 407 (A,151,91)  
 C 409 (A,147,90)  
 C 410 (A,146,103)  
 C 411 (A,144,103)  
 C 414 (A,138,88)  
 C 416 (A,139,97) (B,C)  
 C 417 (A,138,97) (B,C)

CKSSYB104K10  
 CKSSYB224K6R3  
 CCSSCH220J50  
 CCSSCH331J50  
 CKSSYB102K50  
 CCSSCH120J50  
 CCSSCK1R0C50

R 915 (A,138,120)  
 R 941 (A,92,121)  
 R 942 (A,93,121)  
 R 943 (A,93,124)  
 R 944 (A,97,123)

RS1/10SR0R0J  
 RS1/16SS223J  
 RS1/16SS473J  
 RS1/16SS682J  
 RS1/4SA102J

C 418 (A,139,102) (B,C)  
 C 419 (A,139,103) (B,C)  
 C 420 (A,145,107)  
 C 422 (A,139,85)  
 C 425 (A,148,88)  
 C 428 (A,141,89)  
 C 430 (A,147,91)

CCSSCK2R0C50  
 CCSSCK1R0C50  
 CCSSCH471J50  
 CKSSYB152K50  
 CCSSCH390J50  
 CKSSYB104K10  
 CKSSYB102K50

R 951 (A,124,107) (B,C)  
 R 952 (A,118,109) (B,C)  
 R 953 (A,123,113) (B,C)  
 R 1011 (A,130,107)  
 R 1013 (A,126,114)

RS1/16SS102J  
 RS1/16SS223J  
 RS1/16SS153J  
 RS1/16SS103J  
 RS1/4SA102J

C 434 (A,152,103)  
 C 442 (A,143,79) 10 uF  
 C 452 (A,154,78)  
 C 453 (A,158,71)  
 C 455 (A,143,74) (A)

CCSSCH100D50  
 DCH1201  
 CKSRYB104K16  
 CKSRYB105K10  
 CKSSYB102K50

**CAPACITORS**

C 201 (A,99,116)  
 C 202 (A,103,115)  
 C 203 (A,91,115)  
 C 204 (A,106,114)  
 C 205 (A,92,115)

CKSRYB105K10  
 CKSRYB105K10  
 CKSRYB105K10  
 CKSRYB105K10  
 CKSRYB105K10

C 456 (A,143,75) 1 uF  
 C 458 (A,138,80)  
 C 459 (A,149,105)

DCH1246  
 CKSSYB102K50  
 CKSRYB104K16

1

2

3

4



1

2

3

4

**Circuit Symbol and No.****Part No.****Circuit Symbol and No.****Part No.**

S 1835 (A,61,32) Push Switch CSG1155  
 S 1836 (A,84,20) Encoder(MULTI-CONTROL) CSD1193  
 V 1801 (A,39,71) LCD CAW2041

C 1901 (B,135,17) CKSRYB104K16  
 C 1902 (B,130,17) CKSRYB104K16  
 C 1951 (B,158,49) 10 uF CCG1192

A CN1941 (B,108,8) Connector CKS6451  
 JA1901 (A,151,20) Connector CKS6443  
 JA1921 (A,148,7) Jack CKN1108

**Unit Number : CWX4023****Unit Name : CD Core Unit (S11.6STD)****RESISTORS****MISCELLANEOUS**

R 1801 (B,63,40) RS1/10SR103J  
 R 1821 (B,71,29) RS1/10SR273J  
 R 1841 (B,107,35) RS1/10SR222J  
 R 1842 (B,107,36) RS1/10SR102J  
 R 1843 (B,95,51) RS1/10SR222J

IC 201 (B,23,37) IC PE5791A  
 IC 301 (A,37,11) Driver IC BD8223EFV  
 Q 101 (B,11,53) Transistor 2SA1577  
 Q 102 (B,15,54) Chip Digital Transistor L TA123JUB  
 X 201 (B,25,49) Ceramic Resonator 16.934 MHz CSS1603

B R 1844 (B,95,52) RS1/10SR102J  
 R 1845 (B,101,45) RS1/10SR222J  
 R 1846 (B,101,47) RS1/10SR102J  
 R 1847 (B,107,38) RS1/10SR470J  
 R 1849 (B,95,53) RS1/10SR470J

S 901 (A,42,53) Spring Switch(HOME) CSN1080  
 S 903 (B,21,12) Spring Switch(DSCSNS) CSN1081  
 CN101 (A,16,58) Connector CKS4808  
 CN701 (A,25,29) Connector CKS6146

R 1851 (B,101,48) RS1/10SR470J  
 R 1853 (B,59,19) RS1/10SR222J  
 R 1854 (B,59,16) RS1/10SR102J  
 R 1855 (B,43,39) RS1/10SR222J  
 R 1856 (B,41,39) RS1/10SR102J

**RESISTORS**

C R 1857 (B,59,29) RS1/10SR222J  
 R 1858 (B,59,27) RS1/10SR102J  
 R 1859 (B,59,21) RS1/10SR470J  
 R 1861 (B,39,39) RS1/10SR470J  
 R 1863 (B,59,32) RS1/10SR470J

R 101 (B,6,57) RS1/10SR2R4J  
 R 102 (B,8,57) RS1/10SR2R4J  
 R 103 (B,9,57) RS1/10SR2R7J  
 R 108 (B,18,55) RS1/16SS105J  
 R 109 (B,12,50) RS1/16SS222J

R 1865 (B,127,36) RS1/10SR222J  
 R 1866 (B,127,39) RS1/10SR102J  
 R 1867 (B,122,53) RS1/10SR222J  
 R 1868 (B,126,53) RS1/10SR102J  
 R 1869 (B,124,44) RS1/10SR222J

R 214 (B,18,28) RS1/16SS103J  
 R 215 (B,17,28) RS1/16SS393J  
 R 216 (B,12,35) RS1/16SS122J  
 R 217 (B,10,32) RS1/16SS562J  
 R 218 (B,10,35) RS1/16SS472J

D R 1870 (B,124,42) RS1/10SR102J  
 R 1871 (B,127,40) RS1/10SR470J  
 R 1873 (B,122,57) RS1/10SR470J  
 R 1875 (B,122,48) RS1/10SR470J  
 R 1877 (B,27,63) RS1/10SR101J

R 229 (B,12,34) RS1/16SS471J  
 R 232 (A,31,54) RS1/16SS0R0J  
 R 237 (B,33,45) RS1/16SS221J  
 R 240 (B,34,40) RS1/16SS473J  
 R 245 (A,34,46) RS1/16SS104J

R 1878 (B,29,63) RS1/10SR221J  
 R 1879 (B,31,63) RS1/10SR101J  
 R 1880 (B,13,41) RS1/10SR101J  
 R 1881 (B,13,43) RS1/10SR221J  
 R 1882 (B,13,46) RS1/10SR101J

R 254 (A,37,56) RS1/16SS104J  
 R 260 (B,30,27) RS1/16SS103J  
 R 264 (A,22,9) RS1/16SS102J  
 R 281 (B,33,38) RS1/16SS560J  
 R 282 (B,33,39) RS1/16SS560J

R 1883 (B,43,26) RS1/10SR101J  
 R 1884 (B,41,26) RS1/10SR221J  
 R 1885 (B,39,26) RS1/10SR101J  
 E R 1921 (B,127,18) RS1/10SR0R0J  
 R 1922 (B,120,17) RS1/10SR0R0J

R 291 (B,33,34) RS1/16SS560J  
 R 294 (B,27,48) RS1/16SS471J  
 R 303 (A,27,11) RS1/16SS123J  
 R 304 (A,28,11) RS1/16SS123J  
 R 305 (A,26,9) RS1/16SS102J

R 1923 (B,126,8) RS1/10SR0R0J  
 R 1941 (B,72,8) RS1/10SR222J  
 R 1942 (B,67,12) RS1/10SR222J  
 R 1952 (B,156,58) RS1/10SR473J  
 R 1953 (B,157,39) RS1/10SR101J

R 306 (A,26,11) RS1/16SS472J  
 R 307 (A,25,9) RS1/16SS102J  
 R 308 (A,25,11) RS1/16SS472J  
 R 309 (A,35,6) RS1/16SS473J  
 R 310 (B,30,9) RS1/16SS472J

**CAPACITORS**

C 1801 (B,59,44) CKSRYB105K10  
 F C 1802 (B,65,44) CKSRYB104K16  
 C 1803 (B,78,42) CKSRYB104K16  
 C 1804 (B,82,42) CKSRYB104K16  
 C 1805 (B,82,44) CKSRYB104K16

R 311 (B,30,10) RS1/16SS472J  
 R 312 (B,30,11) RS1/16SS472J  
 R 313 (B,30,12) RS1/16SS472J  
 R 701 (A,21,38) RS1/16SS101J  
 R 702 (A,23,38) RS1/16SS101J

R 706 (A,32,42) RS1/16SS221J

1

2

3

4

**CAPACITORS**

C 104	(B,12,57)	CKSQYB475K6R3
C 203	(B,22,47)	CKSSYB104K10
C 209	(B,28,47)	CKSRYB104K16
C 210	(B,33,43)	CKSSYB104K10
C 211	(B,33,41)	CKSSYB104K10
C 212	(B,22,28)	CKSSYB104K10
C 213	(B,18,26)	CKSSYB332K50
C 214	(B,17,26)	CKSSYB473K16
C 215	(B,19,28)	CKSSYB104K10
C 216	(B,12,33)	CKSSYB182K50
C 217	(B,10,34)	CCSSCH560J50
C 218	(B,10,36)	CCSSCH4R0C50
C 219	(B,14,34)	CKSSYB104K10
C 220	(A,18,38)	CKSSYB104K10
C 221	(B,14,32)	CKSSYB104K10
C 222	(B,13,37)	CKSSYB104K10
C 223	(B,12,42)	CCSSCH680J50
C 224	(B,13,45)	CCSSCH470J50
C 225	(B,13,46)	CKSSYB103K16
C 228	(B,10,33)	CCSSCH270J50
C 229	(B,9,40)	CKSSYB104K10
C 233	(B,32,46)	CKSSYB103K16
C 236	(B,8,40)	CKSSYB104K10
C 238	(A,25,44)	CKSRYB104K16
C 299	(A,26,41)	CKSSYB104K10
C 302	(B,28,12)	CKSSYB102K50
C 303	(B,29,12)	CKSSYB102K50
C 304	(B,27,12)	CKSSYB223K16
C 305	(B,26,12)	CKSSYB104K10
C 306	(A,31,7)	CKSSYB104K10
C 307	(A,41,19)	CKSRYB105K10
C 308	(A,31,15)	CKSRYB105K10
C 710	(A,34,42)	CKSSYB102K50

A

B

C

D

E

F