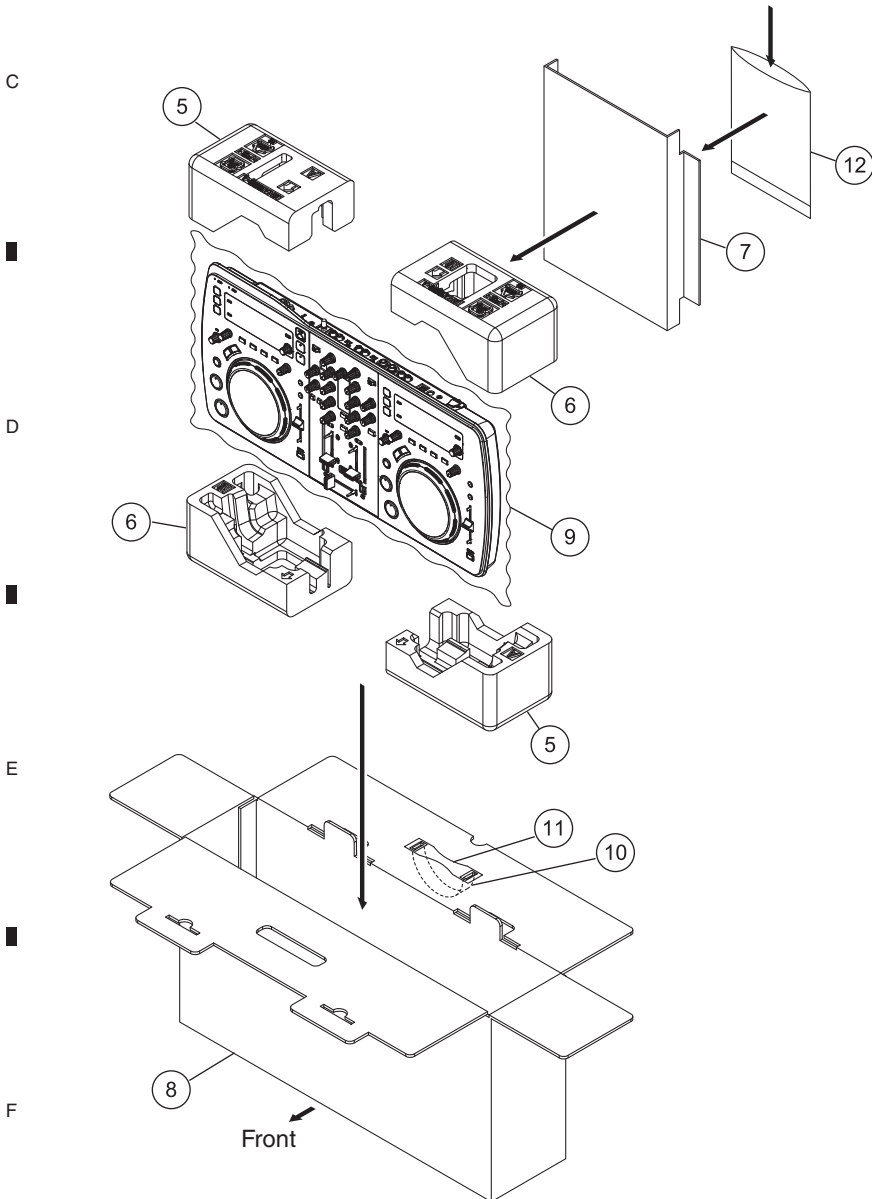
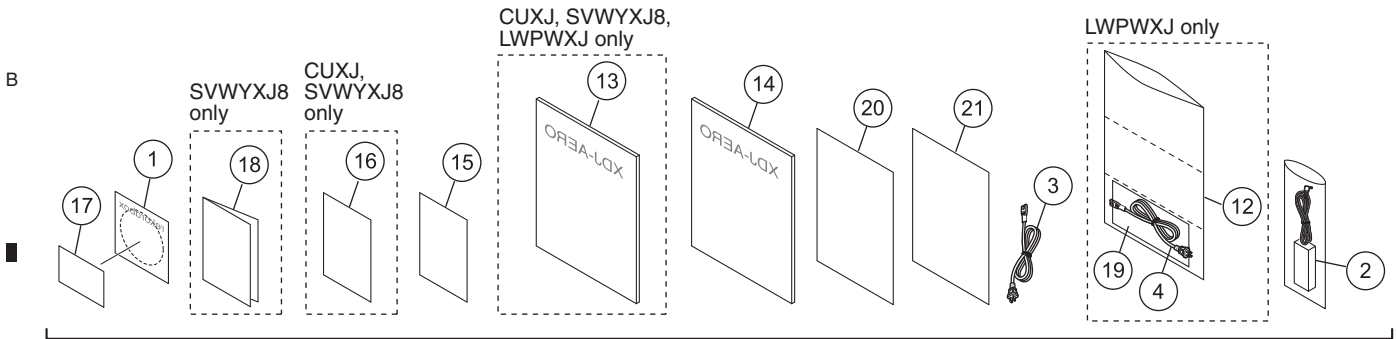


9. EXPLODED VIEWS AND PARTS LIST

NOTES: ● Parts marked by "NSP" are generally unavailable because they are not in our Master Spare Parts List.

- The \triangle mark found on some component parts indicates the importance of the safety factor of the part. Therefore, when replacing, be sure to use parts of identical designation.
- Screws adjacent to ∇ mark on product are used for disassembly.
- For the applying amount of lubricants or glue, follow the instructions in this manual. (In the case of no amount instructions, apply as you think it appropriate.)

9.1 PACKING SECTION



(1) PACKING SECTION PARTS LIST

<u>Mark No.</u>	<u>Description</u>	<u>Part No.</u>
	1 CD-ROM including rekordbox, the driver software and operating instructions (rekordbox license key affixed)	See Contrast table (2)
⚠	2 AC Adapter	See Contrast table (2)
⚠	3 Power Cord	See Contrast table (2)
⚠	4 Power Cord	See Contrast table (2)
	5 Pad/A	DHA1888
	6 Pad/B	DHA1889
	7 Pad/ACC	DHA1890
	8 Packing Case	See Contrast table (2)
	9 Packing Sheet	RHC1023
	10 Plastic Handle (PE)	VEC2292
	11 Spacer (PE)	VEC2293
NSP	12 Polyethylene Bag	AHG7117
	13 Quick Start Guide	See Contrast table (2)
	14 Read Before Use (Important)	See Contrast table (2)
	15 Notice on software licenses	See Contrast table (2)
	16 Notice on software licenses	See Contrast table (2)
NSP	17 Label/L K	DRW2484
NSP	18 Warranty Card	See Contrast table (2)
	19 Caution Card SB	See Contrast table (2)
	20 Version Up Guide	DRH1180
	21 SSID, Password Guide	DRH1197

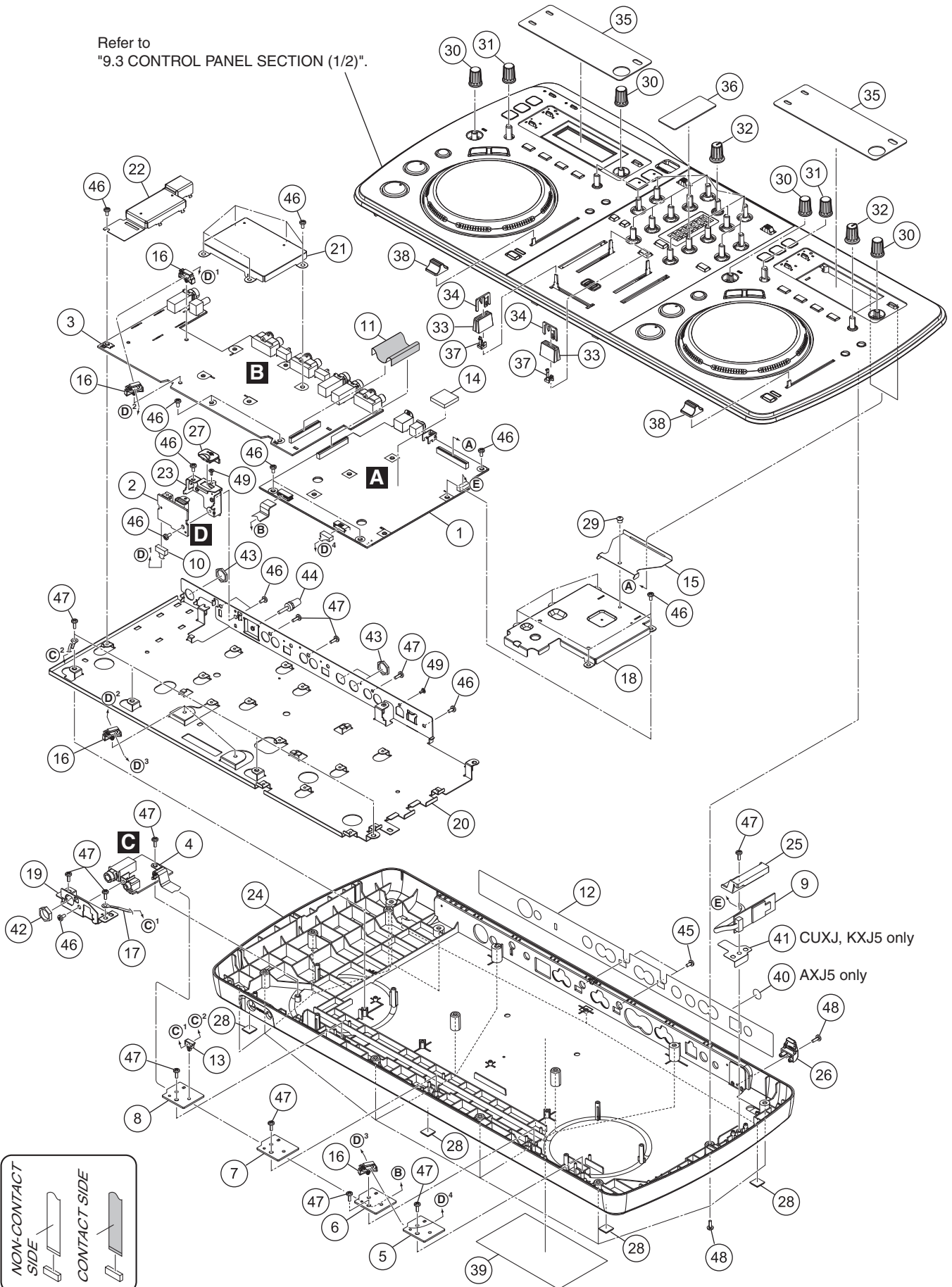
(2) CONTRAST TABLE

XDJ-AERO/CUXJ, SVWYXJ8, LWPWXJ, KXJ5 and AXJ5 are constructed the same except for the following:

Mark	No.	Symbol and Description	XDJ-AERO /CUXJ	XDJ-AERO /SVWYXJ8	XDJ-AERO /LWPWXJ	XDJ-AERO /KXJ5	XDJ-AERO /AXJ5
	1	CD-ROM including rekordbox, the driver software and operating instructions (rekordbox license key affixed)	DXX2715	DXX2715	DXX2715	DXX2716	DXX2716
⚠	2	AC Adapter	DWR1522 or DWR1523 or DWR1524	DWR1523 or DWR1524	DWR1523 or DWR1524	DWR1524	DWR1524
⚠	3	Power Cord	XDG3052	ADG1154	ADG1154	ADG7113	ADG7079
⚠	4	Power Cord	Not used	Not used	ADG7097	Not used	Not used
	8	Packing Case	DHG3118	DHG3117	DHG3119	DHG3122	DHG3120
	13	Quick Start Guide	DRH1167	DRH1167	DRH1167	Not used	Not used
	14	Read Before Use (Important)	DRH1171	DRH1170	DRH1172	DRH1169	DRH1168
	15	Notice on software licenses	DRH1174	DRH1174	DRH1174	DRH1175	DRH1175
	16	Notice on software licenses	DRH1198	DRH1198	Not used	Not used	Not used
NSP	18	Warranty Card	Not used	ARY7158	Not used	Not used	Not used
	19	Caution Card SB	Not used	Not used	ARM7064	Not used	Not used

9.2 CHASSIS SECTION

Refer to
"9.3 CONTROL PANEL SECTION (1/2)".



(1) CHASSIS SECTION PARTS LIST

Mark No.	Description	Part No.	Mark No.	Description	Part No.
1	MAIN Assy	DWX3313	26	Hook/CRD	DNK6084
2	USBB Assy	DWX3374	27	Cover/USB	DNK6092
3	JACB Assy	DWX3354	28	Rubber Foot	VEB1349
4	HPJK Assy	DWX3355	29	Push Rivet	XEC3034
5	HOLD1 Assy	DWX3396	30	Dial Knob S (B)	DAA1273
6	HOLD2 Assy	DWX3397	31	Dial Knob S2 (B)	DAA1274
7	HOLD3 Assy	DWX3398	32	Knob/LBK	DAA1284
8	HOLD4 Assy	DWX3399	33	Slider Knob 1	DAC2684
9	Wi-Fi Module	DXF1015	34	Slider Knob 2	DAC2685
10	Shielded Conn-Cable	DDA1046	35	Panel/DSP	DAH2884
11	FFC/39P	DDD1613	36	Panel/LVL	DAH2885
12	Rear Panel	See Contrast table (2)	37	Slider Knob Stopper	DNK5888
13	Locking Mini Clamp	DEC2439	38	Knob/SLD	DNK6090
14	Sheet	DEC2694	NSP 39	Label	See Contrast table (2)
15	Sheet/PRT	DEC3409	NSP 40	CCC S Label	See Contrast table (2)
16	Cord Clamper	DEC3437	41	Leaf Spring/WF	See Contrast table (2)
NSP 17	Cord With Plug	DE010VE0	42	Nut M12	DBN1018
18	Shield Case/FE1	DNH3031	43	Nut (M12)	NKX2FNI
19	Stay/FRT	DNH3032	44	Terminal Screw	AKE-031
20	Stay/PCB	DNH3033	45	Screw	BBZ30P060FTB
21	Shield Case/FE2	DNH3036	46	Screw	BBZ30P060FTC
22	Shield Case/FE3	DNH3041	47	Screw	BPZ30P080FNI
23	Stay/USB	DNH3043	48	Screw	BPZ30P080FTB
24	Chassis	DNK6082	49	Screw (M3*5)	DBA1340
25	Holder/WF	DNK6083			

(2) CONTRAST TABLE

XDJ-AERO/CUXJ, SVWYXJ8, LWPWXJ, KXJ5 and AXJ5 are constructed the same except for the following:

Mark	No.	Symbol and Description	XDJ-AERO /CUXJ	XDJ-AERO /SVWYXJ8	XDJ-AERO /LWPWXJ	XDJ-AERO /KXJ5	XDJ-AERO /AXJ5
	12	Rear Panel	DAH2886	DAH2883	DAH2887	DAH2890	DAH2888
NSP	39	Label	DRW2519	DRW2518	DRW2520	DRW2518	DRW2518
NSP	40	CCC S Label	Not used	Not used	Not used	Not used	DRW2310
	41	Leaf Spring /WF	DBK1378	Not used	Not used	DBK1378	Not used

(1) CONTROL PANEL SECTION (1/2) PARTS LIST

<u>Mark No.</u>	<u>Description</u>	<u>Part No.</u>	<u>Mark No.</u>	<u>Description</u>	<u>Part No.</u>
1	EUPB Assy	See Contrast table (2)	21	Cover/LCD	DNK6123
2	SUBB Assy	DWX3352	22	Lighting Cond/LCD	DNK6125
3	CCNB1 Assy	DWX3388	23	SW Cap	DAC2753
4	CCNB2 Assy	DWX3391	24	Button/TIM	DAC2849
5	BLED1 Assy	DWX3375	25	Cap/FDR	DAC2858
6	BLED2 Assy	DWX3390	26	FFC Guard	DEC2586
7	TMPB1 Assy	DWS1446	27	Sheet/PL1	DEC3465
8	TMPB2 Assy	DWS1453	28	Sheet/PL2	DEC3411
9	WLED Assy	DWX3376	29	I-Shield Sheet	DEC3435
10	PSWB Assy	DWS1442	30	Sheet/PL3	DEC3436
11	STN LCD	YAW5113	31	VR Stay S	DNH2964
12	FFC/39P	DDD1612	32	Stay/VRL	DNH3035
13	FFC/31P	DDD1614	33	Panel/VSL	DNK6087
14	FFC/5P	DDD1615	34	Lens/PWR	DNK6089
15	FFC/9P	DDD1616	35	Plate/F	DNK6166
16	FFC/9P	DDD1621	36	Plate/R	DNK6167
17	Light-D Sheet	YNM5199	NSP 37	Label	VRW1773
18	Packing/L	DEC3416	38	•••••	
19	Packing/S	DEC3417	39	Screw	BPZ20P060FTC
20	Holder/LCD	DNK6122	40	Screw	BPZ30P080FNI
			41	Screw	BBZ30P060FTB
			42	Screw	BPZ30P100FTB

(2) CONTRAST TABLE

XDJ-AERO/CUXJ, SVWYXJ8, LWPWXJ, KXJ5 and AXJ5 are constructed the same except for the following:

Mark	No.	Symbol and Description	XDJ-AERO /CUXJ	XDJ-AERO /SVWYXJ8	XDJ-AERO /LWPWXJ	XDJ-AERO /KXJ5	XDJ-AERO /AXJ5
	1	EUPB Assy	DWX3351	DWX3400	DWX3351	DWX3400	DWX3400

9.4 CONTROL PANEL SECTION (2/2)

1 2 3 4

A • Bottom view

Refer to "9.5 JOG SECTION".

Refer to "9.5 JOG SECTION".

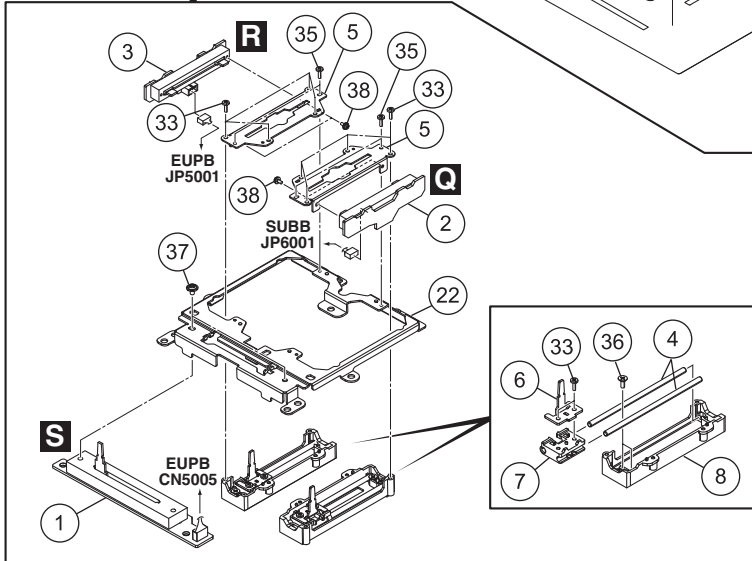
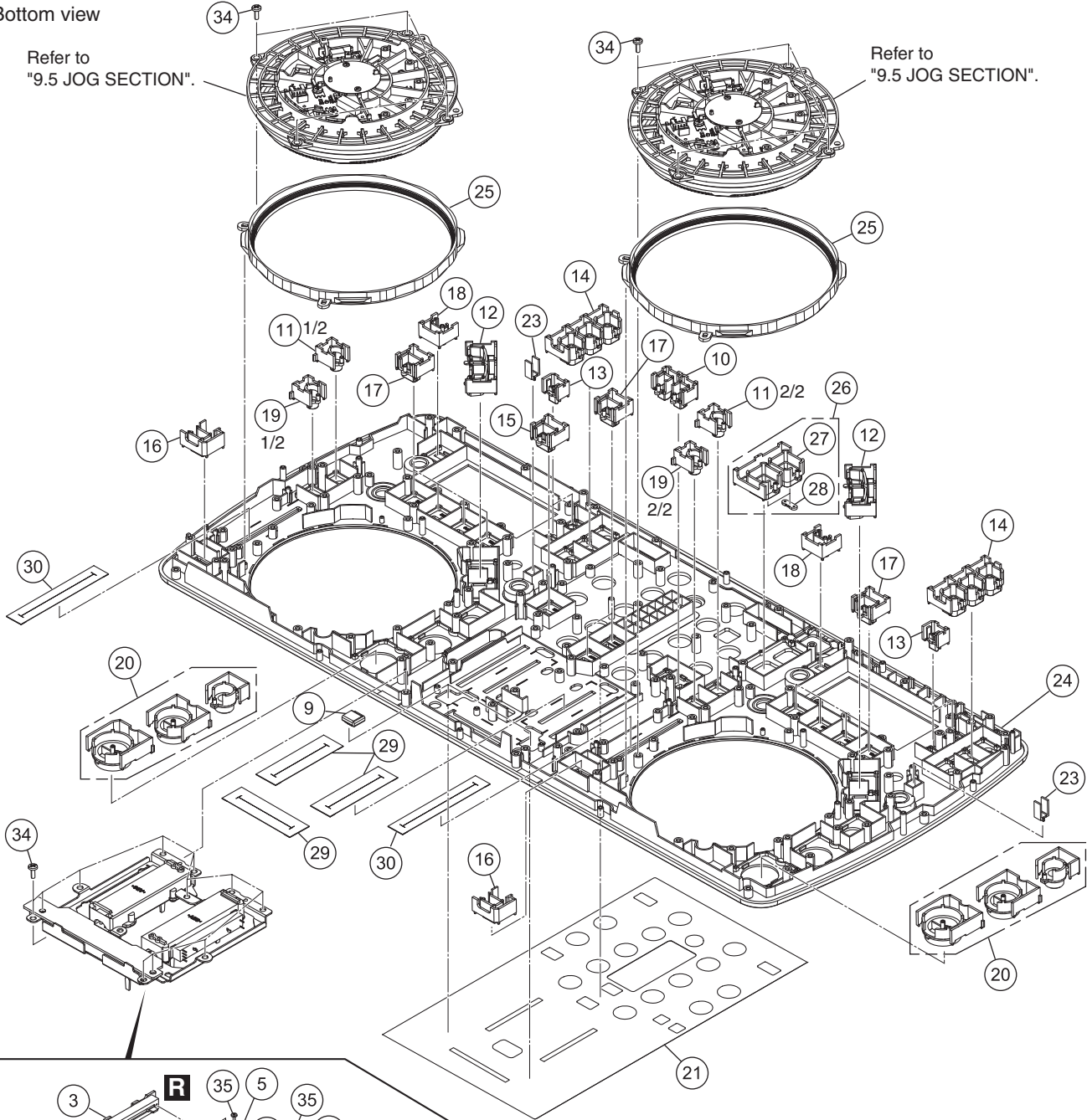
B

C

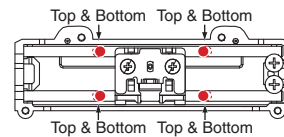
D

E

F



Lubricating oil (GYA1001)



Note:
Greasing must be performed at a total of 8 points, 2 points each for the upper and bottom places of each shaft. (0.4 to 1 mg per point × 8 points)
After applying grease, move the slider base back and forth from one end to the other for approximately 10 to 20 strokes, in order to fully spread the grease.

1 2 3 4

CONTROL PANEL SECTION (2/2) PARTS LIST

<u>Mark No.</u>	<u>Description</u>	<u>Part No.</u>	
	1 CRFD Assy	DWS1445	
	2 CHFD1 Assy	DWS1444	A
	3 CHFD2 Assy	DWS1452	
NSP	4 Guide Shaft (S)	DLA1918	
	5 VR Stay	DNH2955	
	6 Plate/LVR	DNH3034	
	7 Slider Base	DNK5851	
	8 Shaft Holder	DNK5852	
	9 Gasket/JOG	DEC3415	
	10 Button/HPC	DAC2843	
	11 Button/TMP	DAC2845	B
	12 Button/JM	DAC2846	
	13 Button/TIM	DAC2849	
	14 Button/SEL	DAC2854	
	15 Button/MIC	DAC2855	
	16 Button/SYC	DAC2856	
	17 Button/LVL	DAC2859	
	18 Button/BCK	DAC2874	
	19 Button/MT	DAC2875	
	20 Button/PLY	DAC2876	C
	21 Plate/CTL	DAH2900	
	22 Stay/FDR	DNH3037	
	23 Lens	DNK5862	
	24 Control Panel	DNK6086	
	25 Lens/JOG	DNK6114	
	26 1..USB Button Assy	DXA2249	
	27 2..Button/USB	DAC2860	
	28 2..LED Lens	DNK5553	
	29 Fader Packing	DEC3355	D
	30 Slide VR Packing	DED1157	
	31		
	32		
	33 Screw	BPZ20P060FTC	
	34 Screw	BPZ30P080FNI	
	35 Screw	BSZ20P040FTB	
	36 Screw	CPZ26P080FTC	
	37 Screw	IMZ30P040FTC	
	38 Screw	PMH20P040FTC	E

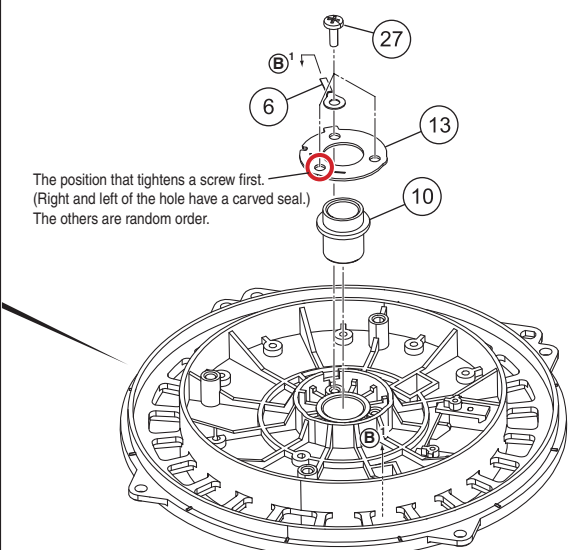
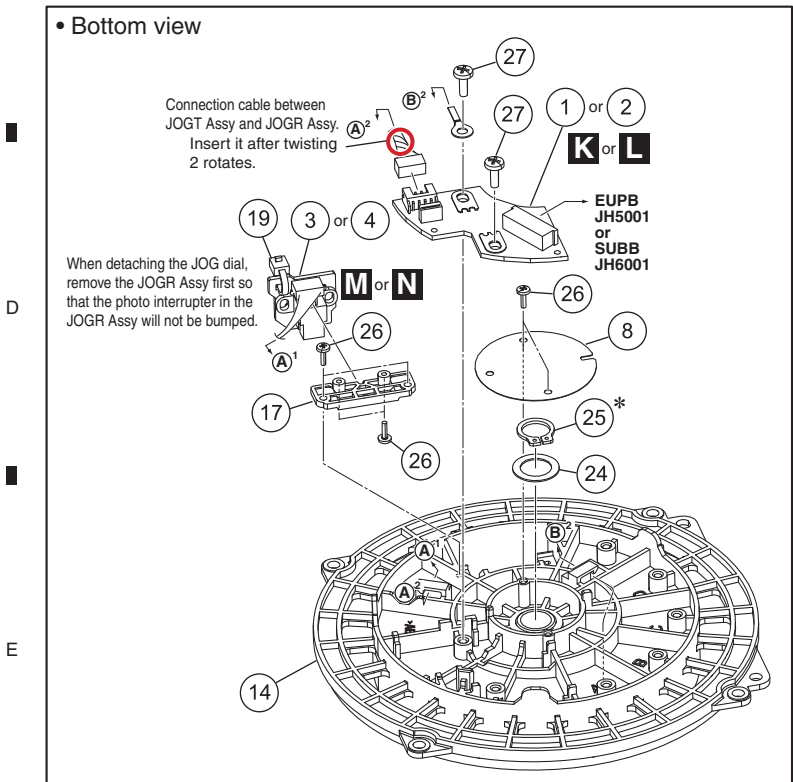
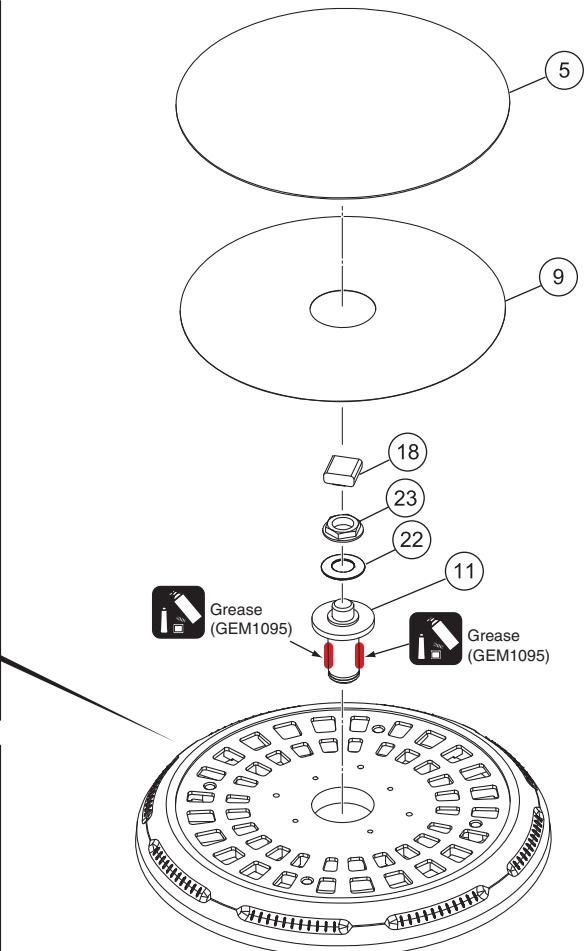
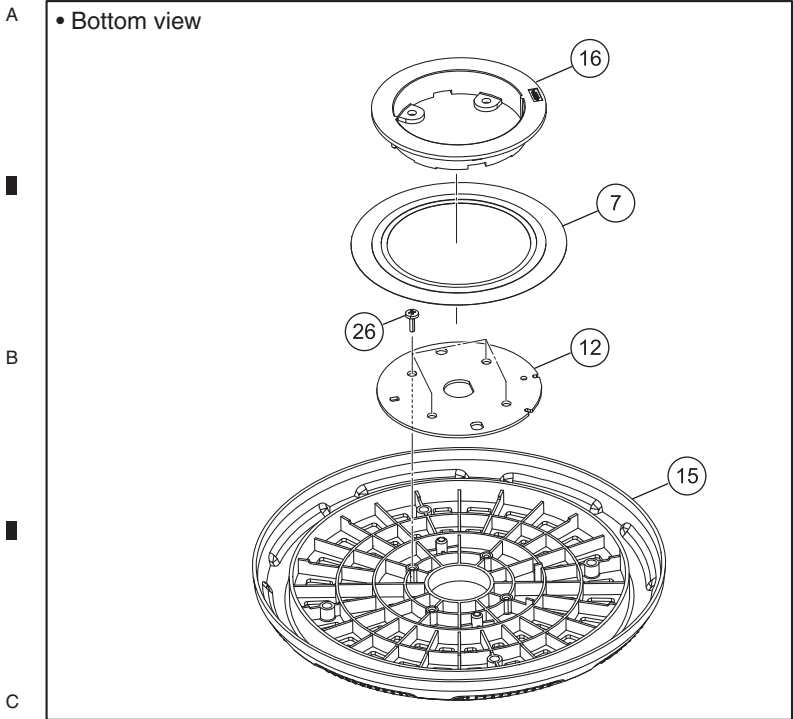
9.5 JOG SECTION

1

2

3

4

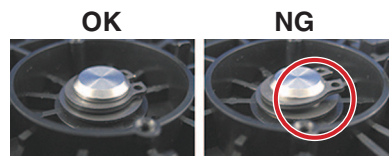


For Disassembly/Assembly of Washer (No. 25)

Please use the jig. (Recommend Snap ring pryor.)

Insert the jig in the hole. Open the jig.

Washer is in the ditch.



1

2

3

4

12. PCB PARTS LIST

NOTES: ● Parts marked by "NSP" are generally unavailable because they are not in our Master Spare Parts List.

● The Δ mark found on some component parts indicates the importance of the safety factor of the part. Therefore, when replacing, be sure to use parts of identical designation.

● When ordering resistors, first convert resistance values into code form as shown in the following examples.

Ex.1 When there are 2 effective digits (any digit apart from 0), such as 560 ohm and 47 k ohm (tolerance is shown by J = 5%, and K = 10%).

560 Ω → 56 × 10¹ → 561 RD1/APU $\boxed{5}$ $\boxed{6}$ $\boxed{7}$ J

47 k Ω → 47 × 10³ → 473 RD1/APU $\boxed{4}$ $\boxed{7}$ $\boxed{3}$ J

0.5 Ω → R50 RN2H \boxed{R} $\boxed{5}$ $\boxed{0}$ K

1 Ω → 1R0 RSIP $\boxed{1}$ \boxed{R} $\boxed{0}$ K

Ex.2 When there are 3 effective digits (such as in high precision metal film resistors).

5.62 k Ω → 562 × 10¹ → 5621 RN1/4PC $\boxed{5}$ $\boxed{6}$ $\boxed{2}$ $\boxed{1}$ F

● Meaning of the figures and others in the parentheses in the parts list.

Example) IC 301 is on the point (face A, 91 of x-axis, and 111 of y-axis) of the corresponding PC board.

IC 301 (A, 91, 111) IC NJM2068V

Mark	No.	Description	Part No.	Mark	No.	Description	Part No.
------	-----	-------------	----------	------	-----	-------------	----------

LIST OF ASSEMBLIES

	1..MAIN ASSY	DWX3313		NSP	1..PNL2 ASSY	DWM2468
NSP	1..PNL1 ASSY (CUXJ, LWPWXJ)	DWM2467			2..SUBB ASSY	DWX3352
NSP	1..PNL1 ASSY (SVWYXJ8, KXJ5, AXJ5)	DWM2478			2..HOLD1 ASSY	DWX3396
	2..PSWB ASSY	DWS1442			2..HOLD2 ASSY	DWX3397
	2..JOGT1 ASSY	DWX3353			2..HOLD3 ASSY	DWX3398
	2..USBB ASSY	DWX3374			2..HOLD4 ASSY	DWX3399
	2..BLED1 ASSY	DWX3375		NSP	1..PNL3 ASSY	DWM2469
	2..WLED ASSY	DWX3376			2..JOGR1 ASSY	DWS1441
	2..CCNB1 ASSY	DWX3388			2..CHFD ASSY	DWS1444
	2..JOGT2 ASSY	DWX3389			2..CRFD ASSY	DWS1445
	2..BLED2 ASSY	DWX3390			2..TMPB ASSY	DWS1446
	2..CCNB2 ASSY	DWX3391			2..JOGR2 ASSY	DWS1451
	2..EUPB ASSY (CUXJ, LWPWXJ)	DWX3351			2..CHFD2 ASSY	DWS1452
	2..EUPB ASSY (SVWYXJ8, KXJ5, AXJ5)	DWX3400			2..TMPB2 ASSY	DWS1453
					2..JACB ASSY	DWX3354
					2..HPJK ASSY	DWX3355

CONTRAST OF PCB ASSEMBLIES

E EUPB ASSY

DWX3351 and DWX3400 are constructed the same except for the following:

Mark	Symbol and Description	DWX3351	DWX3400
	R5312 Resistor	RS1/10SR223J	Not used
	R5313 Resistor	Not used	RS1/10SR223J
	R5330, R5343 Resistor	RS1/10SR0R0J	Not used
	R5331, R5344 Resistor	Not used	RS1/10SR0R0J

Mark	No.	Description	Part No.	Mark	No.	Description	Part No.
------	-----	-------------	----------	------	-----	-------------	----------

A MAIN ASSY

SEMICONDUCTORS

	IC 101	TC7SH32FUS1		IC 1201,1202	K4T1G164QF-BCE7
Δ	IC 201,202,402	BD9328EFJ		IC 1401	DYW1818
Δ	IC 203	S-1170B33UC-OTS		IC 1402	TC7WH74FK
Δ	IC 204	BD00KA5WFP	Δ	IC 1403	TC7SHU04FUS1
Δ	IC 205	BD2226G	Δ	IC 1801,1901	USB3320C-EZK
			Δ	IC 1802	TPS2557DRB
			Δ	IC 1902	BD2226G
Δ	IC 401	NJM2392M		IC 2201,2208	TC7SZU04FU
Δ	IC 403	NJM2878F3-05		IC 2204,2206	TC7WHU04FK
Δ	IC 501	MC13892AJVL		IC 2207	TC7SG08FU
	IC 1001	MCIMX512DJM8C		IC 2601-2603	TC74LCX08FK

Mark	No.	Description	Part No.	Mark	No.	Description	Part No.
		IC 3001,3401	AK4387ET		KN 101	SCREW PLATE	VNE1948
		IC 3002	NJM4580MD		KN 1201,1202	WRAPPING TERMINAL	CKF1086
A		IC 3101,3201,3301	AK5358AET	X 501		RESONATOR (32.768 kHz)	CSS1807
		IC 3102,3202,3302,3402	NJM4565MD	X 2201		CRYSTAL (22.5792 MHz)	DSS1202
		Q 101,201,202,2104	RT1N241M	X 2202		RESONATOR (24 MHz)	CSS1808
	⚠	Q 102,106,107,309	RSQ035P03	CN 1801		L-PLUG(7P)	KM200NA7L
		Q 103,104,402,1801	RT1N141M-11	CN 1901		SHIELDED CONN-CABLE	DDA1045
		Q 105,1802,2103,2108	2SC4154-11		CN 2601,3001	39P CONNECTOR	VKN2097
		Q 108,310	2SA1576A	CN 3401		6PJUMPER CONNECTOR	52151-0610
	⚠	Q 109	HN1B04FU	VA 1601,1602		VARISTOR	VR105C3R3BAA
	⚠	Q 401	RSQ035P03	VA 1603		VARISTORS	EZJZ1V270RM
		Q 403	2SA2060	RESISTORS			
B		Q 1603	RT3T22M	R 113,311			DCN1176
		Q 1901,2111,2112	RT3N22M	R 118,421,3418,3419			RS1/10SR102J
		Q 2101,2105	ISA1602AM1	R 124,425,504,506			RS1/10SR0R0J
		Q 2102,2107	RT1P241M-11	R 201,210			RS1/4SA0R0J
		Q 2109,2201	RT1N241M	R 211,212,2417,2440			RS1/16SS1502D
		Q 2401	RT1P431M	R 213			RS1/16SS8201D
		Q 2403,2404,2407	HN1A01FU	R 214			RS1/16SS4301F
		Q 2405	IMH23	R 215,2415			RS1/16SS2702D
		Q 2406,2408,2412-2414	HN1C01FU	R 216			RS1/16SS6801D
		Q 2409-2411	HN1A01FU	R 217,218,309,416			RS1/10SR103J
		Q 2416,2417	HN1C01FU	R 221			RS1/16SS5102D
C		Q 3001,3401,3406	IMX25	R 222,223,2433			RS1/16SS3002D
		Q 3402,3404	2SD1767	R 228			RS1/4SA103J
		Q 3403,3405	2SB1189	R 313			RS1/10SR473J
		D 101	RKZ4.7KG(B2)	R 402,3010,3011,3412			RS1/10SR3301D
		D 102	RKZ6.8KG(B2)	R 403,3410,3411			RS1/10SR4701D
		D 103-105,107,111	1SS352	R 404			RS1/10SR1601D
		D 108	RKZ18KG(B2)	R 407			DCN1172
	⚠	D 112	1SR154-400	R 409,417,419,420			RS1/4SA181J
		D 203	RB551V-30	R 412			RS1/16SS2202D
		D 114,205,206,405,408	1SS352	R 414			RS1/16SS3001D
		D 401-403	CMS03	R 415,429			RS1/10SR472J
D		D 406,407	EP05Q06	R 418,437			DCN1198
		D 501,2101,2102	RB160M-30	R 422			RS1/10SR182J
		D 2103,2104	RKZ5.6KG(B2)	R 519,521,1624,1625			RS1/10SR0R0J
		D 3002,3003,3402,3403	1SS352	R 1201-1208,1412,1413			RAB4CQ220J
		D 3101,3102,3201,3202	1SS302	R 1219,1220			RS1/16SS1001F
		D 3301,3302	1SS302	R 1232-1239			RAB4CQ560J
				R 1240-1244,1409,1410			RAB4CQ680J
				R 1258			RS1/16SS1000D
				R 1608,1609,1612,1613			RAB4CQ680J
				R 1645			RS1/16SS6041F
				R 1807,1907			RS1/16SS7501F
E		L 404 SMD SPL INDUCTOR	DTH1213	R 1808,1908			RS1/16SS5600F
		L 501-505 COIL	CTH1457	R 1811			RS1/10SR8202D
		L 1001,1804,1807 INDUCTOR	CTF1793	R 1816,1817,1820,1821			RS1/10SR101J
		L 1002,1014 CHIP BEEDS FILTER	BTX1047	R 1819			RS1/10SR2201D
		L 1003,1005,1007-1009 INDUCTOR	CTF1629	R 1916			RS1/10SR471J
		L 1011-1013,1401,1801 INDUCTOR	CTF1629	R 2101,2102,2105,2106			RS1/10SR474J
		L 1015,1201 CHIP BEEDS FILTER	BTX1047	R 2103,2104,2107-2111			RS1/10SR103J
		L 1602,1903 COIL	ATH7064	R 2112,2114			RS1/4SA561J
		L 1806,1901,1902 INDUCTOR	CTF1629	R 2113			RS1/10SR103J
		L 1904-1906,3403,3404 INDUCTOR	CTF1629	R 2218-2223			RAB4CQ472J
F		L 2601,2602 INDUCTOR	CTF1545	R 2250,2253-2257			RAB4CQ103J
		L 3001,3002 CHIP INDUCTOR(10U)	DTL1105	R 2283-2287,2608,2609			RS1/10SR0R0J
		JA 101 DC POWER JACK	DKN1649	R 2402,2435			RS1/16SS4302D
		JA 1601 USB CONNECTOR	DKN1237	R 2403,2423			RS1/16SS1503D

Mark	No.	Description	Part No.	Mark	No.	Description	Part No.
R	2416		RS1/10SR9102D	C	415		CKSRYP224K16
R	2418		RS1/16SS1603D	C	426,1002,1006,1007		CKSSYB103K16
R	2421,2428		RS1/16SS1303D	C	429,435,3015,3018		DCH1342
				C	430,433		CKSRYP104K25
R	2422		RS1/16SS1803D	C	431,2105,2106		CKSRYP103K50
R	2424		RS1/16SS6202D				
R	2429		RS1/16SS1203D	C	432,1208,1210-1215		CCSSCH102J50
R	2430		RS1/16SS5101D	C	434,440		CCG1236
R	2431		RS1/16SS2002D	C	436,438,516,519		CKSSYB104K10
				C	437		CKSRYP105K16
R	2432,2441,2445		RS1/16SS1602D	C	503,509,513-515		CKSQYB475K6R3
R	2434		RS1/16SS6802D				
R	2436,2448		RS1/16SS1202D	C	510,511		DCH1256
R	2437		RS1/16SS1302D	C	512,522,1003,1014		DCH1201
R	2446		RS1/16SS3302D	C	517,523,1801,1901		CKSQYB475K6R3
				C	520		CCSSCH180J50
R	2447		RS1/16SS1502D	C	521		CCSSCH150J50
R	2618,2636,3012,3013		RS1/10SR0R0J				
R	3006,3405		RS1/10SR100J	C	1001,1015		CEHVW470M6R3
R	3008,3009		RS1/10SR183J	C	1004,1005,1011,1013		CKSSYB224K6R3
R	3014,3015		RS1/10SR1001D	C	1010,1012,1047,1060		CKSSYB103K16
				C	1016-1018,1022,1023		CKSSYB104K10
R	3016,3017		RS1/10SR1201D	C	1019,1020,1041,1049		CKSSYB224K6R3
R	3018,3019		RS1/10SR6801D				
R	3103,3203,3204,3303		RS1/10SR1102D	C	1021,1024,1029,1035		DCH1201
R	3105,3205,3206,3305		RS1/10SR2001D	C	1025-1028,1031-1033		CKSSYB104K10
R	3304		RS1/10SR1102D	C	1037-1039,1042-1044		CKSSYB104K10
				C	1045,1805,1905		CKSRYP225K6R3
R	3306		RS1/10SR2001D	C	1046,1053-1058		CKSSYB104K10
R	3408,3409,3420,3421		RS1/10SR104J				
R	3413		RS1/10SR3301D	C	1061,1065,1066,1402		CKSSYB224K6R3
R	3414,3415		RS1/10SR2701D	C	1062-1064,1201-1204		CKSSYB104K10
R	3416,3417		RS1/10SR5601D	C	1205,1206,1217,1230		DCH1201
				C	1207,1209,1216		CKSSYB104K10
R	3425-3427,3429,3431		RS1/4SA100J	C	1218-1223,1227-1229		CCSSCH102J50
R	3428,3430,3447,3448		RS1/4SA101J				
R	3432		RS1/4SA100J	C	1224-1226,1233,1403		CKSSYB104K10
R	3443-3446		RS1/4SA102J	C	1231,1232,1401,1410		CCSSCH102J50
Other Resistors			RS1/16SS###J	C	1409,1802-1804,1806		CKSSYB104K10
				C	1601,1809,1909		CKSSYB103K16
				C	1602,2609,2621,2622		DCH1201
CAPACITORS							
C	101		CEJQNP470M25				
C	105,106,404,420		CKSRYP104K25	C	1605,1606,1812,2403		CCSSCH102J50
C	107,414		CKSRYP473K50	C	1807,1902-1904,1906		CKSSYB104K10
C	108,225,226,236		CKSSYB104K10	C	1808,1908,2101,2102		CEVW101M16
C	109		CEVW101M25	C	1811,3417,3418		CEVW331M6R3
				C	1907,2601-2603,3002		CKSSYB104K10
C	110		CFTLA474J50				
C	117		CKSRYP102K50	C	2107,2108,3006-3008		CEVW101M16
C	118		CCG1222	C	2201-2204,2209		CKSSYB103K16
C	201,202,302,409		CCG1236	C	2205,2206,2208		CCSSCH120J50
C	209,210,413,425		CKSSYB104K16	C	2207		CCSSCH100D50
				C	2212-2214,3003,3019		CKSSYB103K16
C	211		CKSSYB682K25				
C	212		CKSRYP562K50	C	2610,2611,2615,2617		CCSSCH221J50
C	219,220,422		CKSQYB474K25	C	2619,2620		CCSSCH221J50
C	221,222,231,234		DCH1201	C	2624		DCH1165
C	223,224		ACH7275	C	2625,2626		CCSSCH470J50
				C	3001,3402		CEVW220M6R3
C	227,228,281-295		CKSSYB103K16				
C	229,230,418,427		CCSSCH102J50	C	3004,3404		CCSSCH102J50
C	232,505-508,518		CKSRYP225K6R3	C	3005,3020,3105,3109		CKSSYB104K10
C	235,408,417,428		CKSRYP105K16	C	3011,3012,3409,3410		CCSRCH331J50
C	237,423,501,502		DCH1201	C	3013,3014		CCSRCH560J50
				C	3103,3114,3203,3204		CCSSCH101J50
C	301		CKSRYP104K50				
C	401,402,405,2623		DCH1165	C	3106,3107,3423,3424		CEVW100M16
C	403,1008,1009,1607		CCSSCH101J50	C	3108,3111,3208,3308		CEVW470M16
C	406,424		CCH1941	C	3110,3210,3310		CEVW470M6R3
C	407		CKSSYB472K25	C	3113,3205,3209,3213		CKSSYB104K10
				C	3117,3118,3216,3218		CEVW470M25

Mark	No.	Description	Part No.	Mark	No.	Description	Part No.
A	C	3206,3207,3306,3307	CEVW330M10	C	8529-8532,8535,8536	DCE1016	
	C	3211,3311	DCH1242	C	8541,8543,8545,8547	CKSRYP103K50	
	C	3214,3303,3304,3314	CCSSCH101J50	C	8548,8550,8595,8627	CKSRYP104K50	
	C	3305,3309,3313,3401	CKSSYB104K10	C	8549,8551,8596,8604	CCSRCH102J50	
	C	3316,3318	CEVW470M25	C	8552	CKSRYP103K50	
■	C	3403,3420	CKSSYB103K16	C	8553-8556	CCSRCH221J50	
	C	3405	CKSSYB104K10	C	8557-8560	CCSRCH101J50	
	C	3406	CKSRYP104K16	C	8561-8564,8608,8609	CEAL100M16	
	C	3408	CEVW470M16	C	8565-8568	CEAL101M16	
	C	3411,3412	CCSRCH121J50	C	8571-8574	CFTLA123J50	
B	C	3413,3416	CEVW101M16	C	8583,8584,8587,8588	DCG1049	
				C	8591-8594,8605,8607	CEAL470M25	
				C	8597	CCSRCH561J50	
				C	8598	CCSRCH181J50	
				C	8599	CEAL100M50	
B JACB ASSY			C	8600,8617,8619,8621	CCSRCH331J50		
SEMICONDUCTORS			C	8601	CEAL101M6R3		
	IC	8501-8503	NJM4580MD	C	8606	CCSRCH102J50	
	IC	8504-8507	NJM2121MD	C	8623	CCSRCH331J50	
	IC	8508-8510	NJM4565MD	C	8633	CKSRYP104K50	
	Q	8504-8506	IMX25				
	Q	8507,8508	RT1N241M				
MISCELLANEOUS							
	L	8505,8506 INDUCTOR	CTF1629				
C	JA	8501,8502 HEADPHONE JACK	DKN1622				
	JA	8503-8505 PIN JACK(2P)	AKB7181				
	JA	8506 MIC JACK	DKN1614				
	VR	8501 POTENTIOMETER	DCS1111				
	S	8501,8502 SLIDE SWITCH	DSH1025				
	CN	8501 39P CONNECTOR	VKN2097				
		0-2 PHONE SHIELD	DNF1875				
	VA	8501-8508 VARISTORS	EZJZ1V270RM				
RESISTORS							
	R	8501,8502	RS1/10SR3601D				
	R	8503,8504,8563-8566	RS1/10SR1001D				
	R	8505-8512	RS1/10SR4701D				
D	R	8513,8515,8518,8520	RS1/10SR1002D				
	R	8514,8516,8517,8519	RS1/10SR9101D				
	R	8521-8525,8528,8529	RS1/10SR5600D				
	R	8526,8527,8530,8531	RS1/10SR4301D				
	R	8532	RS1/10SR5600D				
	R	8541,8543,8545,8547	RS1/10SR1000D				
	R	8559-8562,8599	RS1/10SR2201D				
	R	8567-8570	RS1/10SR1003D				
	R	8578,8579,8581,8582	RS1/10SR6800D				
	R	8585-8588	RS1/10SR2703D				
E	R	8591-8594	RS1/10SR2202D				
	R	8600	RS1/10SR1001D				
	R	8601	RS1/10SR1002D				
	R	8603	RS1/10SR1500D				
	R	8604	RS1/10SR6201D				
	R	8605	RS1/10SR1601D				
	R	8606	RS1/10SR5101D				
	R	8619-8626	RS1/10SR3301D				
		Other Resistors	RS1/10SR###J				
CAPACITORS							
	C	8503,8505,8507,8508	CEAL101M25				
	C	8509,8511,8513,8515	DCG1062				
	C	8510,8512,8514,8516	DCG1062				
	C	8517,8518,8522	CEAL101M25				
	C	8524-8528,8634-8637	CEAL101M25				
C							
HPJK ASSY							
SEMICONDUCTORS			Q	7801,7802	INC2002AC1		
MISCELLANEOUS							
	JA	7801 STEREO MINI JACK	XKN3017				
	JA	7802 HEADPHONE JACK	DKN1622				
	KN	7801 SCREW PLATE	VNE1948				
	JH	7801 6P CABLE HOLDER	51048-0600				
	JP	7801 JUMPER WIRE	D20PDY0640E				
	VA	7801,7802 VARISTORS	EZJZ1V270RM				
RESISTORS			R	7807,7808	RS1/10SR102J		
				Other Resistors	RS1/4SA###J		
CAPACITORS			C	7801,7807	CKSRYP103K50		
			C	7803-7806	CKSRYP473K50		
D							
USBB ASSY							
MISCELLANEOUS			L	8001 COIL	ATH7064		
	L	8002 INDUCTOR	CTF1793				
	JA	8001 USB CONNECTOR	BKP1164				
	KN	8001 SCREW PLATE	VNE1948				
	CN	8001 L-PLUG(7P)	KM200NA7L				
	VA	8002-8004 VARISTOR	VR105C3R3BAA				
RESISTORS			R	8005,8010	RS1/10SR0R0J		
				Other Resistors	RS1/8SQ###J		
CAPACITORS			C	8001,8003	CEJQ221M6R3		
	C	8002	CKSRYP105K10				
	C	8005,8006	CCSSCH102J50				

Mark	No.	Description	Part No.	Mark	No.	Description	Part No.
E		EUPB ASSY					
		SEMICONDUCTORS					
△	IC	5001	NJM2392M	R	5011		RS1/10SR3302D
	IC	5002	PEQ194A8	R	5012		RS1/10SR2202D
	IC	5003	S-80930CNMC-G80	R	5013,5047,5050,5051		RS1/16SS0R0J
	IC	5004	DYW1821	R	5020,5065		RS1/8SQ0R0J
	IC	5005,5006	TC74VHC125FK	R	5021,5302-5304,5334		RS1/16SS472J
				R	5033,5037,5038,5040		RS1/16SS470J
				R	5044,5046,5048		RS1/16SS221J
	IC	5008	TC7SH32FUS1	R	5052,5194,5209,5220		RS1/16SS101J
	Q	5001	RT1N431M	R	5053		RS1/16SS473J
	Q	5002	RT1N241M	R	5057		RS1/16SS223J
	Q	5003-5008	RT1N237M	R	5189,5190,5192,5193		RS1/16SS0R0J
	Q	5009-5014	2SB1197K	R	5191,5329,5333		RS1/16SS103J
	Q	5015-5018,5024	2SC4154-11	R	5203-5208,5210-5213		RS1/16SS0R0J
	Q	5019	HN1C01FU	R	5214,5215,5254-5277		RS1/16SS470J
	Q	5021	RT1N141M-11	R	5216-5219,5280-5286		RS1/16SS221J
	Q	5022	IMX9	R	5221,5222		RS1/10SR1802D
	Q	5023	2SA1576A	R	5224,5296,5327,5346		RS1/16SS0R0J
	Q	5301-5303	RT3T22M	R	5225		RS1/4SA330J
	D	5001	EP05Q06	R	5242-5244,5305-5307		RS1/16SS101J
	D	5004,5008,5013,5025	SLI-343U8R(HJK)	R	5290,5347		RS1/16SS221J
	D	5007	SLI-343M8G(GHJ)	R	5291		RS1/4SA121J
	D	5009,5071	1SS302	R	5293		RS1/4SA331J
	D	5010	SLR343BD2T(NP)	R	5316		RS1/10SR1002D
	D	5017,5022,5029,5030	SLR343BC4T(KL)	R	5318		RS1/10SR1801D
	D	5021,5038	SLI-343Y8Y(KLM)	R	5328		RS1/16SS470J
	D	5032,5039-5041	SLR343BC4T(KL)	R	5336		RS1/16SS101J
	D	5033,5035,5043	SLI-343U8R(HJK)	R	5342		RS1/4SA181J
	D	5044-5060,5067	1SS352		Other Resistors		RS1/10SR###J
	D	5063-5065	SLR343BC4T(KL)				
	D	5066,5068-5070	SLR343WBC7T(MN)				
		MISCELLANEOUS				CAPACITORS	
	L	5001 CHIP BEEDS FILTER	BTX1042	C	5001,5030,5116		DCH1165
	L	5002 RAD SPL INDUCTOR	DTH1212	C	5002		CEAT101M25
	L	5003,5004 INDUCTOR	CTF1629	C	5003		CCSRCH560J50
	L	5005-5011 INDUCTOR	CTF1545	C	5004,5012,5018,5019		DCH1201
	KN	5001 EARTH TERMINAL	AKF7002	C	5005,5020,5021,5023		CKSRBY104K50
	VR	5001,5002 ROTARY VR	DCS1078	C	5007-5009,5014,5119		CKSSYB473K16
	VR	5003 ROTARY VR	DCS1104	C	5010,5011		CKSSYB104K10
	S	5001 SLIDE SWITCH	DSH1066	C	5016		CCSSCH102J50
	S	5002-5009,5011-5014 TACT SWITCH	DSG1089	C	5017		CEAT101M10
	S	5010,5020-5023 TACT SWITCH	DSG1079	C	5026		CKSRBY473K50
	S	5015,5016 ENCODER	DSX1082	C	5027,5077,5086,5089		CCSSCH470J50
	S	5017 12MM GS ENCODER	DSX1064	C	5028,5094,5097,5118		CKSSYB103K16
	S	5018,5019 TACT SWITCH	DSG1117	C	5029,5139,5140		CCSRCH471J50
	X	5001 CERAMIC OSCILLATOR (16 MHz)	CSS1616	C	5031,5034,5036-5041		CKSRBY104K50
	CN	5003 39P CONNECTOR	VKN2097	C	5032,5115		CCSRCH102J50
	CN	5004 L-PLUG(5P)	KM200NA5L	C	5033,5126,5127,5141		CKSRBY102K50
	CN	5005 L-PLUG(4P)	KM200NA4L	C	5035,5063-5068,5085		CKSRBY103K50
	CN	5006 9P CONNECTOR	VKN1240	C	5080,5081,5131		CKSSYB104K16
	CN	5007 31P CONNECTOR	VKN1262	C	5082-5084		CEAT101M16
	CN	5008 4P PLUG	KM200IB4	C	5087,5090,5142,5143		CKSRBY103K50
	JH	5001 7P CABLE HOLDER	51048-0700	C	5088		DCH1201
	JP	5001 CONNECTOR ASSY	PF03PG-Q07	C	5117		CCSRCH221J50
	JP	5002 JUMPER WIRE	D2OPDY0715E	C	5120		CCSRCH101J50
	VA	5001-5004 VARISTORS	EZJZ1V270RM	C	5122,5123,5125		CKSSYB102K50
				C	5124,5128,5148,5157		CKSRBY105K10
				C	5152-5154		CCSSCH470J50
				C	5155		CKSRBY103K50
		RESISTORS					
	R	5003-5008,5024,5032	RS1/16SS101J				
	R	5009	RS1/4SA1R0J				
	R	5010	RS1/10SR3301D				

Mark	No.	Description	Part No.
		F SUBB ASSY	
		SEMICONDUCTORS	
A	IC	6001,6004	TC7SH08FUS1
	IC	6002	DYW1820
	IC	6003	TC7WH08FU
	Q	6001	IMX9
	Q	6002	RT1P431M
	Q	6003	RT1N431M
	Q	6004-6009	RT1N237M
	Q	6010-6015	2SB1197K
	Q	6016-6023,6029,6030	2SC4154-11
	Q	6024	RT1P141M
B	Q	6026	HN1C01FU
	Q	6028	RT1N141M-11
	D	6003,6016,6037,6045	SLR343BC4T(KL)
	D	6004-6006,6008,6017	SLI-343U8R(HJK)
	D	6007,6014,6015,6025	SLI-343Y8Y(KLM)
	D	6019	SLR343BD2T(NP)
	D	6026,6057	SLI-343Y8Y(KLM)
	D	6027,6053,6059,6073	SLR343WBC7T(MN)
	D	6028,6032,6038,6042	SLI-343U8R(HJK)
	D	6035,6036,6043,6044	SLI-343M8G(GHJ)
	D	6046,6050,6051,6055	SLI-343M8G(GHJ)
C	D	6047,6049,6052,6054	SLR343BC4T(KL)
	D	6048	SLI-343U8R(HJK)
	D	6056,6062	SLI-343M8G(GHJ)
	D	6058,6063,6068-6070	SLR343BC4T(KL)
	D	6066,6067,6072	1SS352
	D	6071,6076	1SS302
	D	6074	SLR343WBC7T(MN)

MISCELLANEOUS

L	6001-6005	CHIP BEEDS FILTER	BTX1042
L	6006	INDUCTOR	CTF1629
KN	6001	EARTH TERMINAL	AKF7002
D	VR 6001,6006,6011,6012	ROTARY VR	DCS1104
	VR 6002-6005,6007-6010	ROTARY VR	DCS1078

	VR 6013,6014	ROTARY VR	DCS1078
S	6001,6002	TACT SWITCH	DSG1117
S	6003-6010,6019	TACT SWITCH	DSG1079
S	6011	SLIDE SWITCH	DSH1058
S	6012	SLIDE SWITCH	DSH1066

S	6013	12MM GS ENCODER	DSX1064
S	6014,6015	ENCODER	DSX1082
S	6016-6018,6020-6029	TACT SWITCH	DSG1089
X	6001	CERAMIC RESONATOR (16 MHz)	DSS1147
E	CN 6002,6004	9P CONNECTOR	VKN1240

CN	6003	31P CONNECTOR	VKN1262
CN	6006	5P CONNECTOR	VKN1820
CN	6007	L-PLUG(5P)	KM200NA5L
CN	6008	4P PLUG	KM200IB4
JH	6001	7P CABLE HOLDER	51048-0700

JP	6001	CONNECTOR ASSY	PF03PG-Q07
JP	6002	JUMPER WIRE	D20PDY0715E
VA	6001-6004	VARISTORS	EZJZ1V270RM

RESISTORS

R	6010,6011,6013		RS1/4SA0R0J
R	6015-6018,6022,6342		RS1/4SA0R0J
R	6072		RS1/10SR2700D
R	6280,6281		RS1/10SR1802D

Mark	No.	Description	Part No.
R	6283		RS1/4SA330J
R	6329		RS1/4SA121J
R	6330		RS1/4SA331J
R	6331		RS1/4SA181J
		Other Resistors	RS1/10SR###J

CAPACITORS

C	6001,6028		DCH1201
C	6002,6027,6031,6032		CKSRYB104K50
C	6011-6014,6016-6026		CKSRYB473K50
C	6029,6030,6036,6037		CKSRYB103K50
C	6033,6034		CKSRYB473K50

C	6038,6040,6047,6048		CKSRYB105K10
C	6041-6043		CEAL101M16
C	6044,6050-6055,6128		CKSRYB104K50
C	6045,6046,6133,6134		CKSRYB102K50
C	6083,6084,6090,6091		CKSRYB103K50

C	6101,6102,6118,6124		CKSRYB103K50
C	6122,6127		DCH1165
C	6125		CCSRCH101J50
C	6129		CCSRCH102J50
C	6130		CKSRYB471K50

C	6131,6132		CCSRCH471J50
C	6135,6136,6140		CKSRYB103K50
C	6139		CKSRYB102K50
C	6141		CKSRYB104K50
C	6142-6144		CCSRCH220J50

C	6145		CCSRCH470J50
C	6147,6148		CKSRYB105K10

G CCNB1 ASSY**MISCELLANEOUS**

L	9402-9405	INDUCTOR	CTF1545
CN	9401	9P CONNECTOR	VKN1301
CN	9402	CONNECTOR	CKS6228

RESISTORS

	All Resistors		RS1/16SS###J
--	---------------	--	--------------

CAPACITORS

C	9401,9402		CKSSYB105K6R3
C	9403		CKSQYB334K50
C	9404-9407		CCG1212

H CCNB2 ASSY**MISCELLANEOUS**

L	9502-9505	INDUCTOR	CTF1545
CN	9501	9P CONNECTOR	VKN1301
CN	9502	CONNECTOR	CKS6228

RESISTORS

	All Resistors		RS1/16SS###J
--	---------------	--	--------------

CAPACITORS

C	9501,9502		CKSSYB105K6R3
C	9503		CKSQYB334K50
C	9504-9507		CCG1212

Mark No. Description Part No.

I BLED1 ASSY

SEMICONDUCTORS

D 9201,9204,9205 SMLV56RGB1U1(Q)
D 9202,9203 NHSW157A-7364

MISCELLANEOUS

CN9201 4P SOCKET KP200IB4L

RESISTORS

All Resistors RS1/10SR###J

J BLED2 ASSY

SEMICONDUCTORS

D 9301,9304,9305 SMLV56RGB1U1(Q)
D 9302,9303 NHSW157A-7364

MISCELLANEOUS

CN9301 4P SOCKET KP200IB4L

RESISTORS

All Resistors RS1/10SR###J

K JOGT1 ASSY

SEMICONDUCTORS

IC 9052 PE0004A8
D 9051 RB520G-30

MISCELLANEOUS

L 9051,9052,9056 INDUCTOR CTF1786
KN 9051 EARTH TERMINAL AKF7002
CN 9051 L-PLUG(4P) KM200NA4L
CN 9052 7PJUMPER CONNECTOR 52151-0710
VA 9052,9055 SMD VARISTOR EZJZOV80010

VA 9056 VARISTORS EZJZ1V270RM

RESISTORS

R 9051,9064 DCN1187
R 9059 RS1/16SS2202D
R 9060,9061 RS1/16SS103J
Other Resistors RS1/10SR###J

CAPACITORS

C 9052 CCSSCH221J50
C 9053 CKSRYB104K50
C 9054 DCH1201

L JOGT2 ASSY

SEMICONDUCTORS

IC 9102 PE0004A8
D 9101 RB520G-30

MISCELLANEOUS

L 9101,9103,9105 INDUCTOR CTF1786
KN 9101 EARTH TERMINAL AKF7002
CN 9101 L-PLUG(4P) KM200NA4L
CN 9102 7PJUMPER CONNECTOR 52151-0710
VA 9102,9105 SMD VARISTOR EZJZOV80010

VA 9106 VARISTORS EZJZ1V270RM

RESISTORS

R 9101,9114 DCN1187

Mark No. Description Part No.

R 9109 RS1/16SS2202D
R 9110,9111 RS1/16SS103J
Other Resistors RS1/10SR###J

CAPACITORS

C 9102 CCSSCH221J50
C 9103 CKSRYB104K50
C 9104 DCH1201

M JOGR1 ASSY

MISCELLANEOUS

CN7001 CONNECTOR ASS'Y PF04PG-Q07

RESISTORS

All Resistors RS1/10SR###J

MISCELLANEOUS

PC 7001 PHOTO INTERRUPTER SEDS-7573

CAPACITORS

C 7001 CKSRYB105K10
C 7002 CKSRYB103K50

N JOGR2 ASSY

MISCELLANEOUS

CN7101 CONNECTOR ASS'Y PF04PG-Q07

RESISTORS

All Resistors RS1/10SR###J

MISCELLANEOUS

PC 7101 PHOTO INTERRUPTER SEDS-7573

CAPACITORS

C 7101 CKSRYB105K10
C 7102 CKSRYB103K50

O TMPB1 ASSY

MISCELLANEOUS

VR 7401 SLIDE VR DCV1029
CN 7401 CONNECTOR ASS'Y PF05PG-Q10

RESISTORS

R 7403,7404 RS1/10SR2201D
Other Resistors RS1/10SR###J

CAPACITORS

C 7401,7402 CKSRYB103K50
C 7404 CKSRYB104K50

P TMPB2 ASSY

MISCELLANEOUS

VR 7501 SLIDE VR DCV1029
CN 7501 CONNECTOR ASS'Y PF05PG-Q10

RESISTORS

R 7503,7504 RS1/10SR2201D
Other Resistors RS1/10SR###J

CAPACITORS

C 7501,7502 CKSRYB103K50
C 7504 CKSRYB104K50

Mark No. Description **Part No.**

A

Q CHFD1 ASSY

MISCELLANEOUS

VR 7201 SLIDE VR	DCV1027
CN 7201 L-PLUG(3P)	KM200NA3L
VA 7201 VARISTORS	EZJZ1V270RM

B

R CHFD2 ASSY

MISCELLANEOUS

VR 7301 SLIDE VR	DCV1027
CN 7301 L-PLUG(3P)	KM200NA3L
VA 7301 VARISTORS	EZJZ1V270RM

C

S CRFD ASSY

MISCELLANEOUS

VR 7601 VARIABLE RESISTOR	DCV1023
CN 7601 CONNECTOR ASS'Y	PF04PG-Q07
VA 7601 VARISTORS	EZJZ1V270RM

CAPACITORS

C 7601	CKSRYB104K50
C 7602	CKSRYB103K50

D

T WLED ASSY

SEMICONDUCTORS

D 7901-7904	SLR343BD2T(NP)
-------------	----------------

MISCELLANEOUS

CN 7901 5P CONNECTOR	VKN1265
----------------------	---------

RESISTORS

All Resistors	RS1/10SR###J
---------------	--------------

E

U PSWB ASSY

SEMICONDUCTORS

D 9701	SPR-39MVWF(MN)
D 9702	SLI-343M8G(GHJ)

MISCELLANEOUS

S 9701,9702 TACT SWITCH	DSG1089
CN 9701 9P CONNECTOR	VKN1852

RESISTORS

All Resistors	RS1/10SR###J
---------------	--------------

F