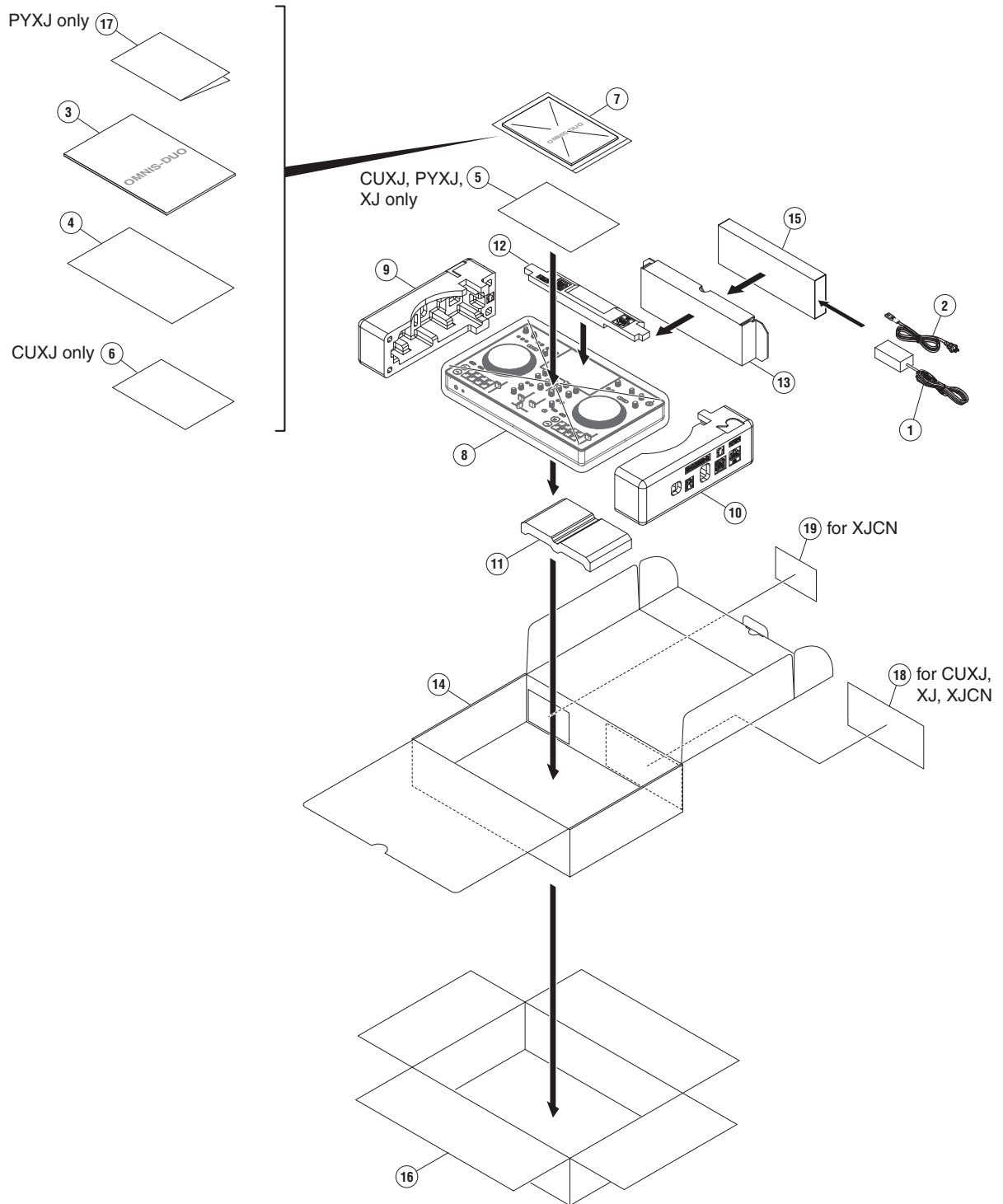


9. EXPLODED VIEWS AND PARTS LIST

- NOTES:
- Parts marked by "NSP" are generally unavailable because they are not in our Master Spare Parts List.
 - The \triangle mark found on some component parts indicates the importance of the safety factor of the part. Therefore, when replacing, be sure to use parts of identical designation.
 - Screws adjacent to ∇ mark on product are used for disassembly.
 - For the applying amount of lubricants or glue, follow the instructions in this manual. (In the case of no amount instructions, apply as you think it appropriate.)

9.1 PACKING SECTION



(1) PACKING SECTION PARTS LIST

<u>Mark No.</u>	<u>Description</u>	<u>Part No.</u>	<u>Mark No.</u>	<u>Description</u>	<u>Part No.</u>
⚠	1 AC adapter	DWR1613	11	Packing Pad	DHA2057
⚠	2 Power cord	See Contrast table (2)	12	Packing Pad	DHA2058
	3 Quick Start Guide	See Contrast table (2)	13	Partition	DHC1121
	4 Precautions for Use	See Contrast table (2)	14	Packing Case	DHG3896
NSP	5 Leaflet	See Contrast table (2)	15	Packing Case	DHF1054
NSP	6 Leaflet	See Contrast table (2)	16	Master Carton	See Contrast table (2)
NSP	7 Poly Bag	DHL1207	17	Warranty	See Contrast table (2)
	8 Bag	DHL1208	18	Label	See Contrast table (2)
	9 Packing Pad	DHA2049	19	Label	See Contrast table (2)
	10 Packing Pad	DHA2050			

B

(2) CONTRAST TABLE

OMNIS-DUO/CUXJ, PYXJ, XJ and XJCN are constructed the same except for the following:

Mark	No.	Symbol and Description	OMNIS-DUO/CUXJ	OMNIS-DUO/PYXJ	OMNIS-DUO/XJ	OMNIS-DUO/XJCN
⚠	2	Power cord	XDG3052	ADG1154	ADG1154	ADG7079
	3	Quick Start Guide	DRH1769	DRH1769	DRH1769	DRH1771
	4	Precautions for Use	DRH1770	DRH1770	DRH1770	DRH1774
NSP	5	Leaflet	DRH1797	DRH1797	DRH1797	Not used
NSP	6	Leaflet	DRH1799	Not used	Not used	Not used
	16	Master Carton	DHG3930	DHG3897	DHG3929	DHG3932
	17	Warranty	Not used	DRY1280	Not used	Not used
	18	Label	DRW3093	Not used	DRW3092	DRW3095
	19	Label	Not used	Not used	Not used	DRW3096

D

E

F

9.2 EXTERIOR SECTION

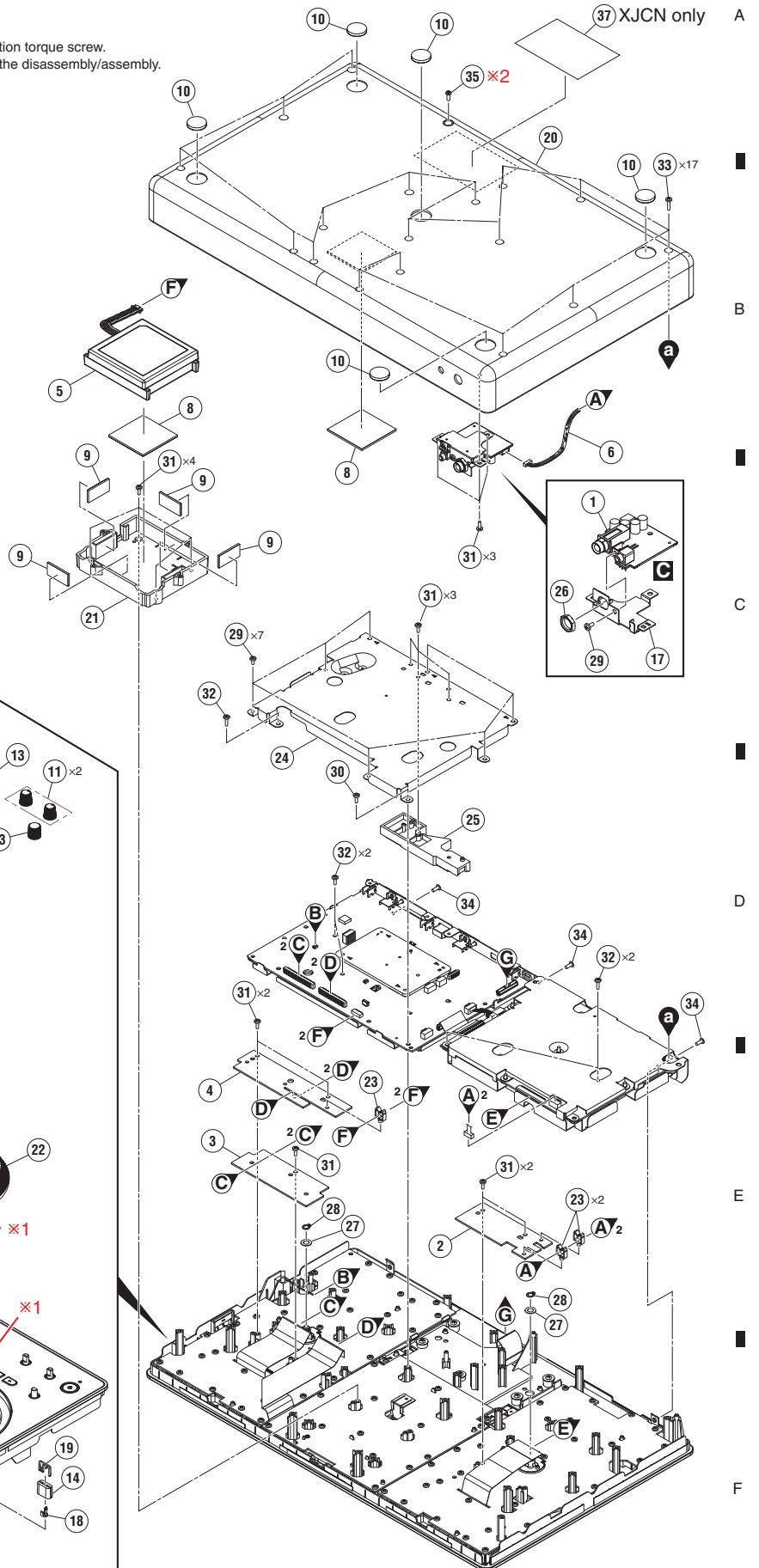
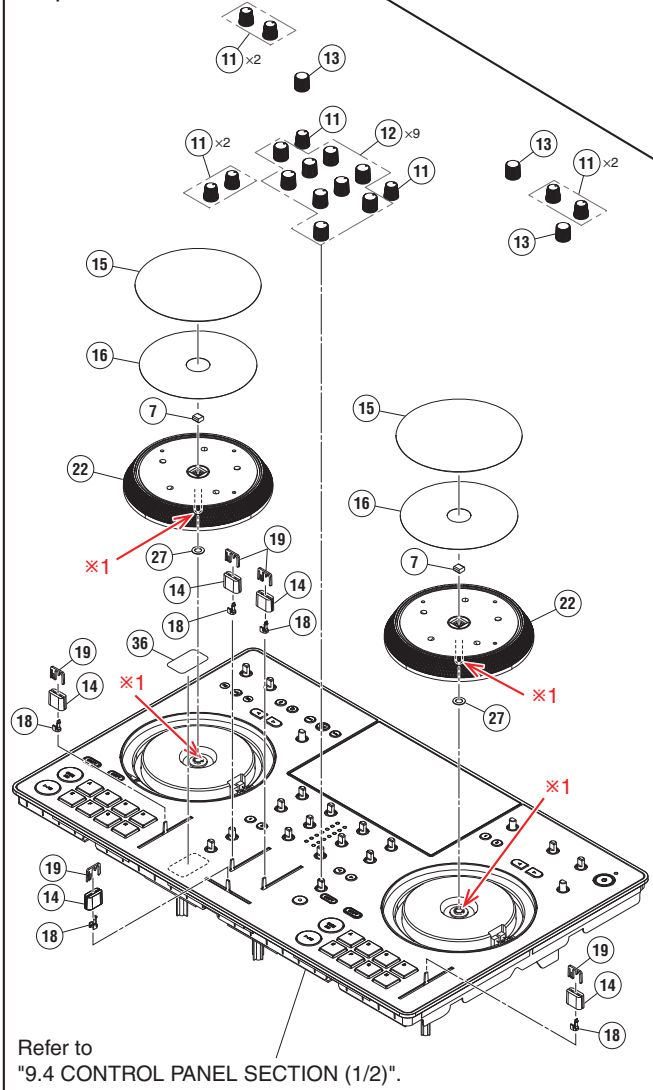
• Bottom view

×2 Tamper with it, and use a prevention torque screw.
Use a specified torque driver for the disassembly/assembly.
(See "3.2 JIGS LIST".)

×1 Refer to "7. DISASSEMBLY"

 Lubricating oil
(GEM1100)
Jog dial Section

• Top view



(1) EXTERIOR SECTION PARTS LIST

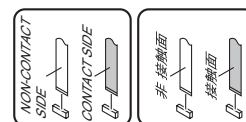
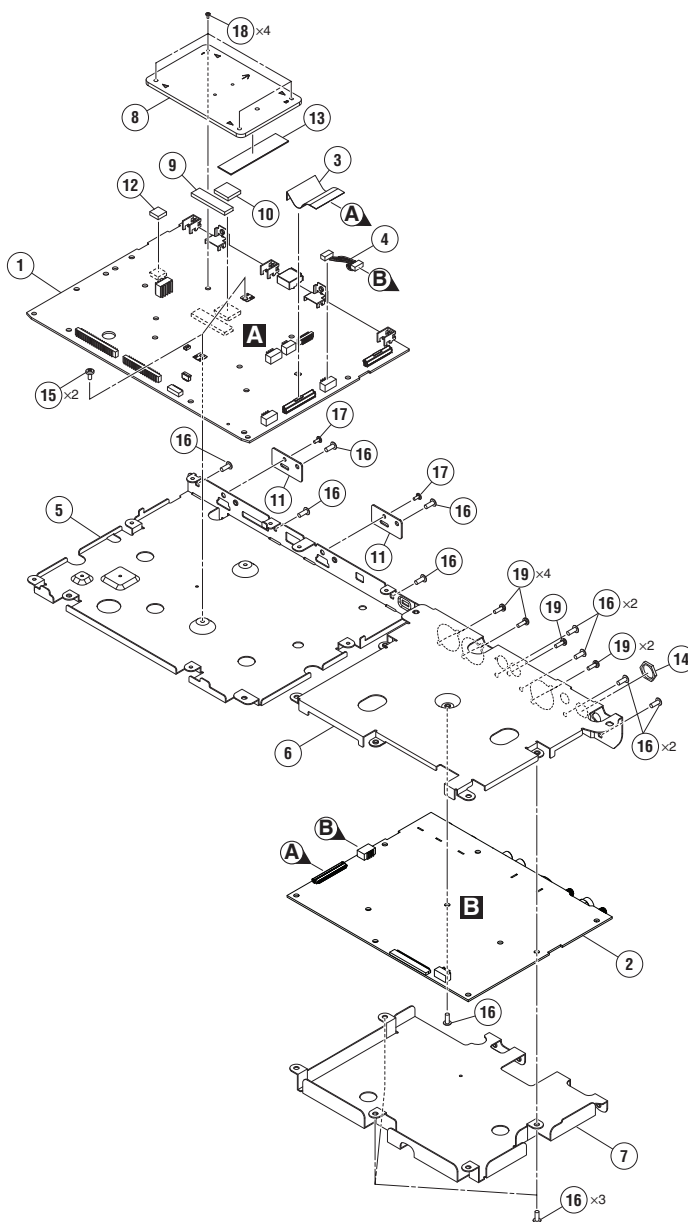
<u>Mark No.</u>	<u>Description</u>	<u>Part No.</u>	<u>Mark No.</u>	<u>Description</u>	<u>Part No.</u>
A	1 HP Assy	DWX4972	21	Holder	DNK7177
	2 HOLD1 Assy	DWX4981	22	Jog Dial	DNK7179
	3 HOLD2 Assy	DWX4982	23	Holder	VEC1355
	4 HOLD3 Assy	DWX4983	24	Shield Case	DNH3590
⚠	5 Battery	See Contrast table (2)	25	Guard	DNK7187
	6 Parallel Jumper	PF04HH-B20A	26	Nut	DBN1028
	7 Gasket	DEC4059	27	Washer	WA62D095D050
	8 Cushion	DEC4127	28	Washer	YC60FAC
	9 Cushion	DEC4128	29	Screw	BBZ30P060FTC
	10 Foot	DEC4134	30	Screw	BBZ30P080FTB
B	11 Knob	DAA1482	31	Screw	BPZ30P080FTC
	12 Knob	DAA1483	32	Screw	BPZ30P100FTC
	13 Knob	DAA1484	33	Screw	BPZ30P120FTB
	14 Knob	DAC3718	34	Screw (FE)	DBA1290
	15 Panel	DAH3431	35	Screw	DBA1460
	16 DS Tape	DEH1143	NSP 36	Label	See Contrast table (2)
	17 Stay/HP	DNH3182	NSP 37	Name Plate	See Contrast table (2)
	18 Stopper/SLD	DNK6365			
	19 Knob/SL2	DNK6367			
C	20 Chassis	DNK7174			

(2) CONTRAST TABLE

OMNIS-DUO/CUXJ, PYXJ, XJ and XJCN are constructed the same except for the following:

Mark	No.	Symbol and Description	OMNIS-DUO/CUXJ	OMNIS-DUO/PYXJ	OMNIS-DUO/XJ	OMNIS-DUO/XJCN
⚠	5	Battery	DXF1017 or DXF1018	DXF1017 or DXF1018	DXF1017 or DXF1018	DXF1018
NSP	36	Label	DRW3080	DRW3080	DRW3080	Not used
NSP	37	Name Plate	Not used	Not used	Not used	DAL1399

9.3 CHASSIS SECTION



CHASSIS SECTION PARTS LIST

<u>Mark No.</u>	<u>Description</u>	<u>Part No.</u>	<u>Mark No.</u>	<u>Description</u>	<u>Part No.</u>
1	MAIN Assy	DWX4902	11	Sheet	DEC4132
2	AUDIO Assy	DWX4969	12	Heat Cond Sheet	DEB2094
3	FFC	DDD2192	13	EMI Absorb Sheet	DEC4091
4	Parallel Jumper	DDC1057	14	Nut	NKX2FTC
5	Stay	DNH3589	15	Screw	BBZ30P060FTC
6	Stay	DNH3591	16	Screw (FE)	DBA1290
7	Shield Case	DNH3592	17	Screw (M3*5)	DBA1340
8	Heat Sink	DNH3596	18	Screw	PMB20P080FNI
9	Heat Cond Sheet	DEB2104	19	Screw	PPZ30P080FTB
10	Heat Cond Sheet	DEB2105			

9.4 CONTROL PANEL SECTION (1/2)

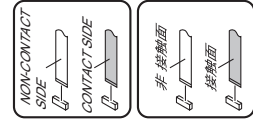
1

2

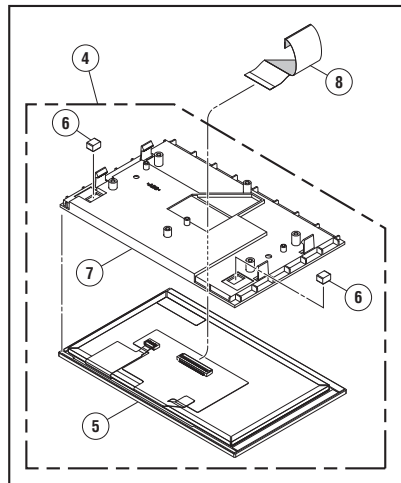
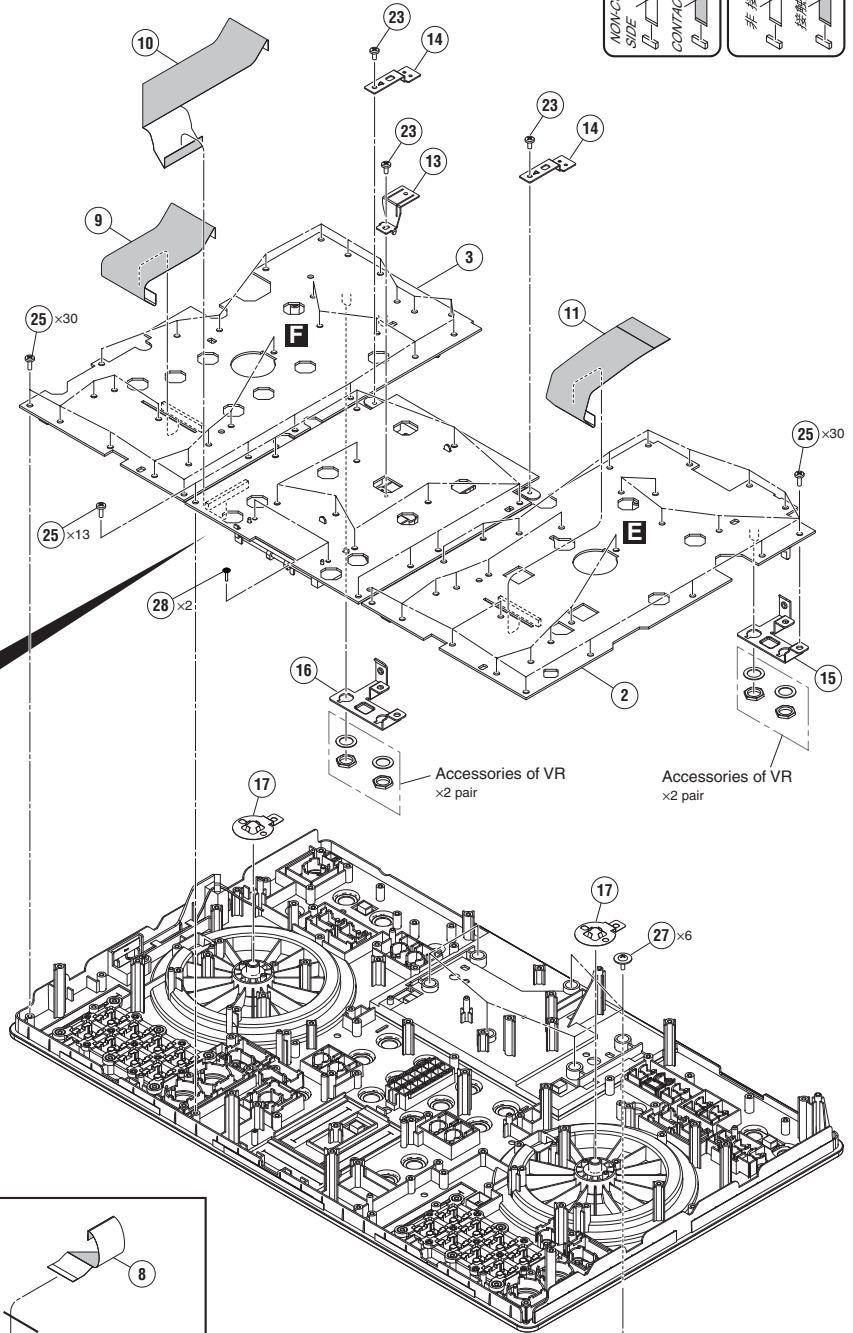
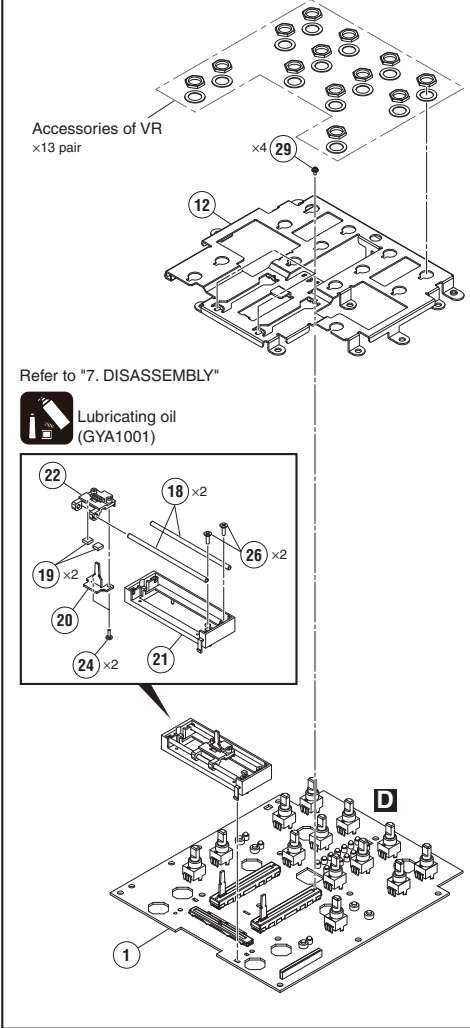
3

4

A • Bottom view



• Top view



B

C

D

E

1

2

3

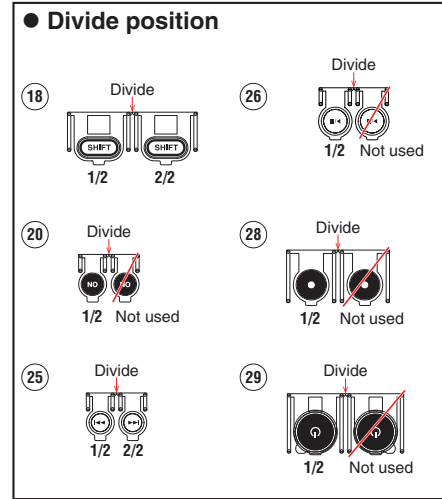
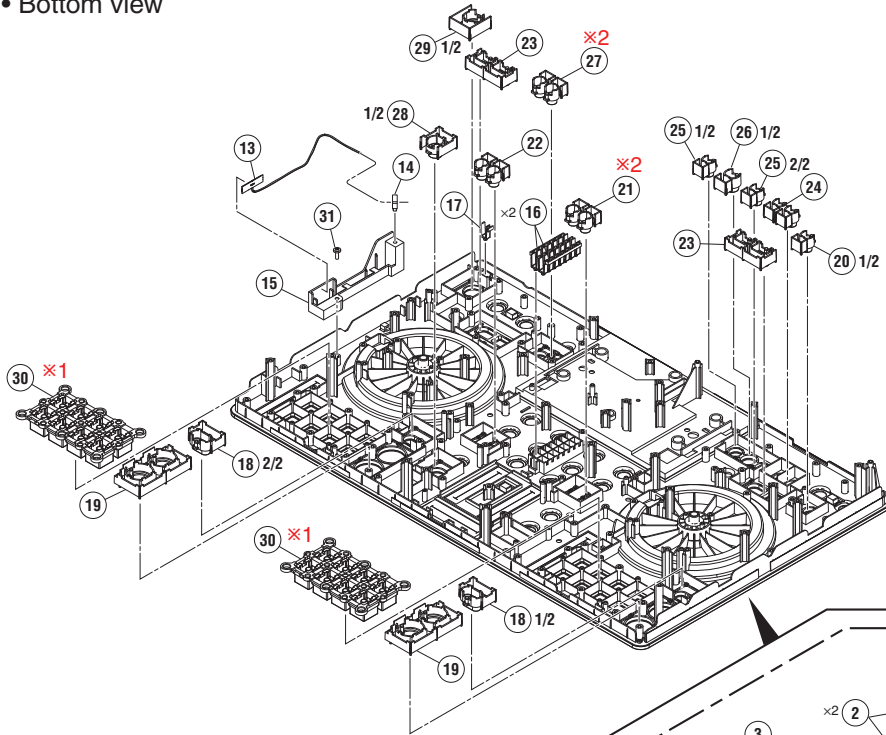
4

CONTROL PANEL SECTION (1/2) PARTS LIST

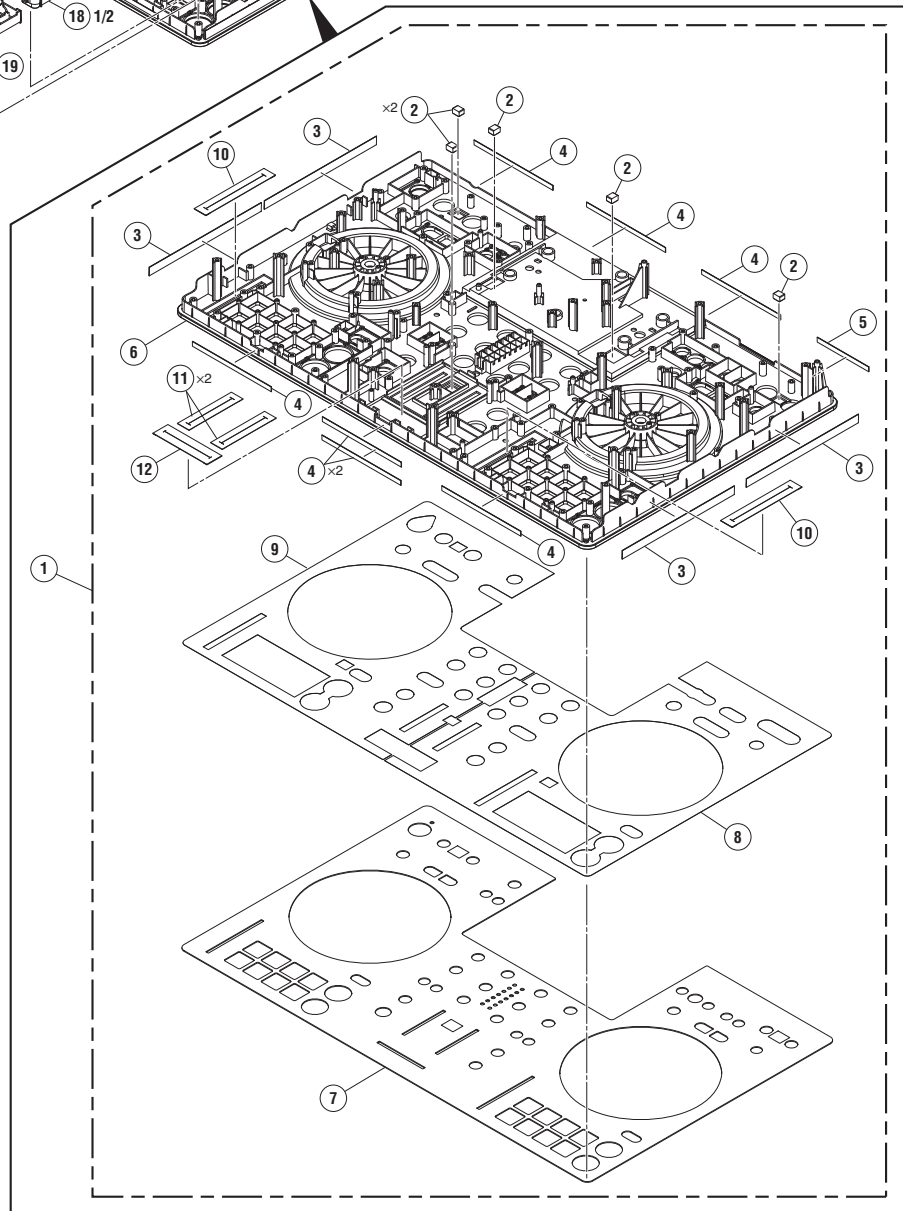
<u>Mark No.</u>	<u>Description</u>	<u>Part No.</u>	
	1 MIXER Assy	DWX4970	
	2 DCK1 Assy	DWX4971	A
	3 PNL2 Assy	DWX4973	
	4 1..OMNIS-DUO LCD Service Assy	DEA1175	
NSP	5 2..LCD Module	DWX4927	
	6 2..Gasket	DEC4056	
NSP	7 2..Holder	DNK7178	
	8 FFC	DDD2191	
	9 FFC	DDD2193	
	10 FFC	DDD2194	
	11 FFC	DDD2200	B
	12 Stay	DNH3583	
	13 Bracket	DNH3584	
	14 Bracket	DNH3585	
	15 Stay	DNH3587	
	16 Stay	DNH3588	
	17 Plate/CND	DNH3137	
	18 Guide Shaft VK1	DLA1978	
	19 Cushion	DEC3640	
	20 Lever	DNH3594	C
	21 Holder	DNK7070	
	22 Slider	DNK7071	
	23 Screw	BBZ30P060FTC	
	24 Screw	BPZ20P060FTC	
	25 Screw	BPZ30P080FTC	
	26 Screw	CPZ26P080FTC	
	27 DM Screw (FTC)	DBA1260	
	28 Screw	IPZ20P080FTC	
	29 Screw	PMH20P040FTC	D

9.5 CONTROL PANEL SECTION (2/2)

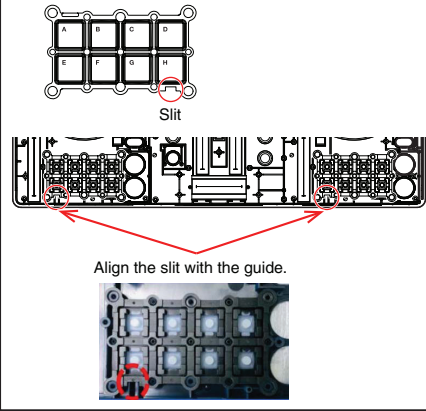
A • Bottom view



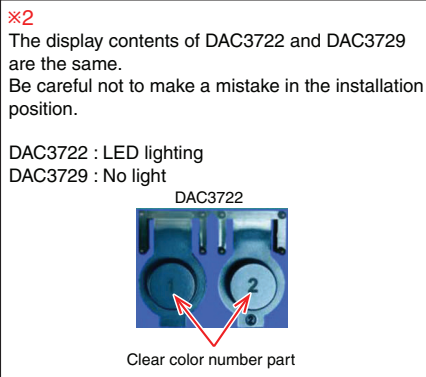
C



×1 Button installation alignment



D



F

CONTROL PANEL SECTION (2/2) PARTS LIST

<u>Mark No.</u>	<u>Description</u>	<u>Part No.</u>	
1	1..OMNIS-DUO Panel Service Assy	DEA1174	
2	2..Gasket	DEC4056	A
3	2..Packing	DEC4175	
4	2..Packing	DEC4178	
5	2..Packing	DEC4180	
NSP 6	2..Control Panel	DNK7173	
NSP 7	2..Panel	DAH3430	
NSP 8	2..DS Tape	DEH1152	
NSP 9	2..DS Tape	DEH1153	
10	2..Packing/TMP	DEC3392	
11	2..Sheet	DEC3795	B
12	2..Packing	DEC3642	
13	Wi-Fi Antenna	DSD1005	
14	Locking Mini Clamp	DEC2439	
15	Holder	DNK7176	
16	Lens	DNK7182	
17	Lens	DNK7226	
18	Button	DAC3719	
19	Button	DAC3720	
20	Button	DAC3721	C
21	Button	DAC3722	
22	Button	DAC3723	
23	Button	DAC3724	
24	Button	DAC3725	
25	Button	DAC3727	
26	Button	DAC3728	
27	Button	DAC3729	
28	Button	DAC3730	
29	Button	DAC3731	D
30	Button	DEB2106	
31	Screw	BPZ30P080FTC	

5 6 7 8

12. PCB PARTS LIST

NOTES:

- Parts marked by “NSP” are generally unavailable because they are not in our Master Spare Parts List.
- The Δ mark found on some component parts indicates the importance of the safety factor of the part. Therefore, when replacing, be sure to use parts of identical designation.
- When ordering resistors, first convert resistance values into code form as shown in the following examples.

Ex.1 When there are 2 effective digits (any digit apart from 0), such as 560 ohm and 47 k ohm (tolerance is shown by J = 5%, and K = 10%).

560 Ω - 56 $\times 10^1$ - 561 RD1/APU $\boxed{5} \boxed{6} \boxed{7} J$
 47 k Ω - 47 $\times 10^3$ - 473 RD1/APU $\boxed{4} \boxed{7} \boxed{3} J$
 0.5 Ω - R50 RN2H $\boxed{R} \boxed{5} \boxed{0} K$
 1 Ω - 1R0 RSIP $\boxed{7} \boxed{R} \boxed{0} K$

Ex.2 When there are 3 effective digits (such as in high precision metal film resistors).

5.62 k Ω - 562 $\times 10^1$ - 5621 RN1/4PC $\boxed{5} \boxed{6} \boxed{2} \boxed{7} F$

Mark	No.	Description	Part No.	Mark	No.	Description	Part No.
LIST OF ASSEMBLIES							
		1..MAIN ASSY	DWX4902	Q	1401	LTA024EEB	
		1..AUDIO ASSY	DWX4969	D	301,305-307,1001	EZAEG2N50A	
		1..MIXER ASSY	DWX4970	D	308	UDZV7R5	
				D	309,502,504-506	1SS355L@V	
NSP		1..PNL1 ASSY	DWM2893	D	501	MM3Z5V1B	
		2..DCK1 ASSY	DWX4971	D	503	MC2848-11	
		2..HP ASSY	DWX4972	D	1002,1003,1101,1103	DF2B5M4CT@V	
				D	1102,1104,1201-1209	EZAEG2N50A	
		1..PNL2 ASSY	DWX4973	D	1210	1SS355L@V	
				D	1401,1402	DF2B5M4CT@V	

Mark	No.	Description	Part No.
A			
MAIN ASSY			
SEMICONDUCTORS			
Δ	IC 301	BD9E302EFJ@V	
Δ	NSP IC 302	TPS25750DRJKR@V	
	IC 303	DYW2350*	
	*Part number of the initial firmware equipped		
Δ	IC 304	BQ25792RQMR@V	
Δ	IC 501-503,505,510	BD9328EFJ	
Δ	IC 504	BD9329EFJ	
Δ	IC 506,509	AP22653W6@V	
Δ	IC 507,508	TPS25921AD	
Δ	IC 511	BD9328EFJ	
Δ	NSP IC 801	CM3566_V3_4GBR9E1	
	IC 1101	TC7SH08FUS2	
NSP	IC 1202	USB2244-AEZG-06	
	IC 1401	DYW2388*	
	*Part number of the initial firmware equipped		
Δ	IC 1402	MIMXRT1021DAG5B@V	
	IC 1403,1404	S-80930CNMC-G80	
	IC 1405	STM6510WCACDG6F	
	Q 301,302,504,1103	LTC024EEB	
	Q 303,506,1402	RTQ040P02	
	Q 501	MMBTSC1623YW	
	Q 502,509,1202	RT3N22M	
	Q 503,505,507	MMBTA1576QW	
	Q 508	MMDT5212W	
	Q 801	RT3T22M	
	Q 1101,1102	INC2002AC1	
	Q 1104,1201,1404	LTC024EEB	
	Q 1203	RSQ035P03	

MISCELLANEOUS

L	101-105,1001,1101 COIL	ATH7015
L	302,505 SMD SPL INDUCTOR	CTH1501
L	303 COIL (1 uH)	DTH1230
L	501-503,507 SMD SPL INDUCTOR	CTH1597
L	504 POWER INDUCTOR	ATH7048
L	508 SMD SPL INDUCTOR	CTH1597
L	804 CHIP FERRITE BEADS	MMZ1005F470E
L	1201 COIL	ATH7015
L	1401 POWER INDUCTOR	ATH7047
L	1402 SMD FERRITE BEADS	DTF1123
F	1201 EMI FILTER	DTL1106
NSP	JA 301,1101 USB JACK	DKN1694
	JA 1001 USB JACK	DKB1118
K	801-804 SPACER	YSMISO-75846-ET@V
KN	101,102,105 SCREW PLATE	VNE1948
KN	103,104 WRAPPING TERMINAL	CKF1089
KN	301,1101 SUPPORT	DNH3537
S	801 PUSH SWITCH	CSG1155
X	1201,1401 CRYSTAL RESONATOR (24.000 MHz)	DSS1241
CN	101 FFC/FPC CONNECTOR	S100-SSA-40-T2@V
CN	102 CONNECTOR	HWW-SL0420-J1@V
CN	103 FFC/FPC CONNECTOR	S100-SSA-35-T2@V
CN	104 FFC/FPC CONNECTOR	CKS6543
CN	105 CONNECTOR	CKS6207
CN	302 CRIMP CONNECTOR	DKN1710
CN	1201 CONNECTOR	DKN1720
Δ	P 303 PROTECTOR (3.000 A)	DEK1103
NSP	U 1301 WI-FI MODULE	SX-SDMAX-2530S
	VA 303,1101 VARIABLE RESISTOR	AVRH10C101K1R1NE@V
	VA 801 VARISTORS	EZJZ1V270RM

RESISTORS

R	127-132,163-167	RC0402JR-070RL@V
R	157,159,379,382	RC0603JR-070RL@V
R	161	RC0402JR-07560RL@V

OMNIS-DUO

5 6 7 8

39

Mark	No.	Description	Part No.
	R	162,521,522,524	RC0402JR-071KL@V
	R	302,523,525,529	RC0402JR-07100KL@V
A	R	304,632	RC0402DR-076K8L@V
	R	306	RC0402DR-0775KL@V
	R	307	RC0402DR-0724KL@V
	R	310,322-324,326	RC0402JR-0710KL@V
	R	311,868	RC0402JR-073K3L@V
	R	312	RC0402JR-0733KL@V
	R	313,587,832,848	RC0402JR-074K7L@V
	R	327,328,821,870	RC0402JR-072K2L@V
	R	335,561,569,586	RC0402JR-0710KL@V
	R	336-339,354,358	RC0402JR-07100RL@V
B	R	340,352,512,514	RC0402JR-0722RL@V
	R	341,543	RC0402JR-07270RL@V
	R	343-346,349-351	RC0402JR-070RL@V
	R	356	RC0603DR-07100RL@V
	R	359	RC0805JR-070RL@V
	R	360,540,595,615	RC0402DR-0715KL@V
	R	361	RC0402DR-072K4L@V
	R	366,367	RC0402DR-0768KL@V
	R	368,579	RC0402DR-07100KL@V
	R	369,370,534,617	RC0402JR-070RL@V
	R	371	RC0402DR-073K6L@V
C	R	372,373	RC0402DR-07820RL@V
	R	374,596,604,621	RC0402DR-0727KL@V
	R	375	RC0402DR-073K3L@V
	R	376,879,880	RC0402JR-0710RL@V
	R	377,378,585	RC1206JR-070RL@V
	R	383,389,825,1101	RC0603JR-070RL@V
	R	516,519,520,575	RC0402JR-0722RL@V
	R	526,533,537,538	RC0402DR-0739KL@V
	R	527,528,607,608	RC0402JR-071KL@V
	R	530	RC0402DR-0751KL@V
D	R	531,532,606,610	RC0402JR-07100KL@V
	R	535	RC0402DR-0782KL@V
	R	536,541,548,551	RC0402DR-0718KL@V
	R	539,614	RC0402DR-0733KL@V
	R	542,620	RC0402DR-0747KL@V
	R	544,618,619	RC0402DR-0710KL@V
	R	546,549	RC0402DR-07120KL@V
	R	547	RC0402DR-0722KL@V
	R	550,605,622,1211	RC0402DR-0712KL@V
	R	559	RC0603JR-071KL@V
	R	566,570	RC0402FR-07470KL@V
	R	567,568,572	RC0402JR-0782KL@V
E	R	571	RC0402JR-0768KL@V
	R	573,583,603,616	RC0402DR-0718KL@V
	R	574	RC0402DR-074K7L@V
	R	576	RC0402DR-07150KL@V
	R	577,580,600,601	RC0402JR-0722RL@V
	R	578	RC0402JR-07180RL@V
	R	584	RC0402DR-071K5L@V
	R	589,630	RC0402JR-07330RL@V
	R	602,817,820	RC0402JR-0710KL@V
	R	611,1237	RC0402JR-07100KL@V
	R	612,613	RC0402DR-0739KL@V
F	R	626,634,813,814	RC0402JR-070RL@V
	R	631	RC0402JR-073K9L@V
	R	803,805-810,815	RC0402JR-0747RL@V

Mark	No.	Description	Part No.
	R	804,827,829,831	RC0402JR-0722RL@V
	R	811,812,835,837	RC0402JR-0768RL@V
	R	816,1312	RC0402JR-0747RL@V
	R	822-824,852,854	RC0402JR-0710KL@V
	R	833,834,836	RC0402JR-070RL@V
	R	838-840,842,843	RC0402JR-070RL@V
	R	841,844,847	RC0402JR-0768RL@V
	R	845,846	RC0603JR-0722RL@V
	R	849-851,862,874	RC0402JR-0768RL@V
	R	857-861,889,894	RC0402JR-070RL@V
	R	867,881,882,1102	RC0402JR-0710KL@V
	R	869,902,1425	RC0402JR-074K7L@V
	R	872,873,875,876	RC0402JR-0722RL@V
	R	878	RC0402JR-0768RL@V
	R	895,897,898	RC0402JR-070RL@V
	R	901,1509,1510	RC0402JR-071KL@V
	R	1103,1105,1108-1112	RC0402JR-0710KL@V
	R	1106,1107	RC0603DR-075K1L@V
	R	1113-1115,1213,1220	RC0402JR-070RL@V
	R	1207-1209,1212,1218	RC0402JR-0722RL@V
	R	1210	RC0402JR-071ML@V
	R	1215,1222,1223,1238	RC0402JR-07100RL@V
	R	1219,1307-1310	RC0402JR-0722RL@V
	R	1221,1224,1226,1227	RC0402JR-070RL@V
	R	1225	RC0402JR-0733RL@V
	R	1228,1492,1498	RC0603JR-070RL@V
	R	1229-1236,1303,1420	RC0402JR-0710KL@V
	R	1239	RC0402JR-075K6L@V
	R	1304,1447-1449,1451	RC0402JR-07100RL@V
	R	1313-1315,1402,1403	RC0402JR-0722RL@V
	R	1401,1418,1419,1421	RAB4CQ103J
	R	1404-1408,1432	RAB4CQ560J
	R	1409-1411,1435,1439	RC0402JR-0756RL@V
	R	1412,1413,1450,1452	RC0402JR-070RL@V
	R	1416,1445,1454	RC0402JR-0722RL@V
	R	1422,1427,1428,1430	RC0402JR-0710KL@V
	R	1423,1424	RAB4CQ103J
	R	1442,1446,1468,1476	RC0402JR-0756RL@V
	R	1444,1483,1484,1487	RC0402JR-0710KL@V
	R	1453,1455,1458-1465	RC0402JR-07100RL@V
	R	1456,1502	RC0402JR-070RL@V
	R	1457,1470	RAB4CQ101J
	R	1467,1493,1499,1501	RC0402JR-07100RL@V
	R	1477,1479,1481,1494	RC0402JR-0756RL@V
	R	1480,1482,1485,1486	RC0402DR-072K2L@V
	R	1495,1500,1503-1505	RC0402JR-0756RL@V
	R	1497	RC0402JR-072M2L@V
	R	1506-1508	RC0603JR-070RL@V
	R	1512,1520-1523	RC0402JR-0756RL@V
	R	1513	RC0402JR-07100RL@V
	R	1515,1519	RC0402JR-0710KL@V
	R	1516-1518	RC0402JR-07220KL@V
CAPACITORS			
	C	101,103,105,108	0402B104K160CT
	C	107,115,120	0805X106K250CT
	C	110,317,323,403	0402N101J500CT
	C	111,142-145,304	0402B102K500CT
	C	114,578,591,594	CC0402KRX7R7BB103
	C	118,121-123,127	0402B104K160CT

Mark	No. Description	Part No.
C	131,138-141,158	0402B104K160CT
C	134-137,392,395	0805X106K250CT
C	301	1210X106K500CT
C	303,305,306,322	0603B104K500CT
C	309,622	0402B682K500CT
C	313	0603B102K500CT
C	314,342,343,348	0402B103K500CT
C	316	0603B104K250CT
C	319,321,363,364	1206X226K250CT
C	320,324,805,807	0402N102J500CT
C	330 (0.01 uF)	ACE7113
C	332,521,524-527	CC0402KRX7R7BB104
C	333	0603B104K500CT
C	334	0805X475K500CT
C	337 (1 uF)	ACE7129
C	339,568,574,649	VVV476M016ANE01K
C	340,341	0402N331J500CT
C	344,349,353,1480	0603X106K100CT
C	350,352,1106	0402B103K500CT
C	357,375,380,382	CC0402KRX7R9BB104
C	361,371-374,377	1206X106K500CT
C	378	0603X475K250CT
C	379,381,400	1206X106K500CT
C	384,386	0402B473K500CT
C	390,393,399,517	0402B104K250CT
C	394,396,502,504	0805X226M250CT
C	397,559,563-565	0805X106K250CT
C	404,636,818,1205	0402N101J500CT
C	501,503,1498	0805X106K160CT
C	505,508,511,555	0402B104K160CT
C	506,507,509,512	0805X226M250CT
C	510,513,516,551	0402B102K500CT
C	514,569,572,573	0805X226M250CT
C	519	0402B104K250CT
C	528	0402X474K250CT
C	529,531,533,534	0402B153K160CT
C	530,532,535-538	CC0402KRX7R9BB102
C	539,541	0402B332K500CT
C	543,544,624,625	CC0402KRX7R9BB102
C	554,556,557,561	0402B102K500CT
C	558,560,583,585	0402B104K160CT
C	562,566	0402X104K250CT
C	567,570,580,593	0805X106K250CT
C	571 (220 uF/16 V)	DCH1391
C	575,608,609	0805X226M250CT
C	582,584,1001 (100 uF/16 V)	DCH1387
C	586,587,612,613	0402B102K500CT
C	588,589,595,598	0402B104K160CT
C	590,592,600,601	0805X106K100CT
C	597,1509	VVV107M016ANE04K
C	599,602,610,611	0402B104K160CT
C	603,810,819-823	CC0402KRX7R7BB103
C	614,617,620,621	0402B104K160CT
C	618,619	CC0402KRX7R7BB104
C	623	0402B153K160CT
C	626	0603B334K100CT
C	627,632,640-643	0402B104K160CT
C	628,629	CC0402KRX7R9BB222
C	637-639,1004,1105	0402B102K500CT

Mark	No. Description	Part No.
C	644,645,647,648	0805X106K250CT
C	646	0603X106K6R3CT
C	650,1499	VVV476M016ANE01K
C	801,802,804,1002	0805X106K250CT
C	803,806,808,826	0402B104K160CT
C	809,1204,1226,1313	0402N102J500CT
C	811,812,1495	0402N100J500CT
C	814	0402N181J500CT
C	827,1003,1108,1111	0402B104K160CT
C	1107	0805X105K500CT
C	1110,1219	0402B102K500CT
C	1201,1203,1207,1209	0402B104K160CT
C	1202,1218,1528	0805X106K250CT
C	1208,1212	0402N120J500CT
C	1210,1211,1306-1308	0402X105K160CT
C	1213,1215,1217	0402B104K160CT
C	1214,1319,1439,1440	CC0402KRX7R7BB103
C	1216	0603X475K100CT
C	1220,1315,1316,1442	0402N101J500CT
C	1303-1305,1473,1500	0805X226M100CT
C	1309-1312,1401-1403	0402B104K160CT
C	1314,1419,1420,1426	0402N102J500CT
C	1322,1323,1526	0402X105K160CT
C	1404-1415,1424,1425	0402N471J500CT
C	1416,1422,1429,1437	0603X475K6R3CT
C	1417,1418,1421,1423	0402B104K160CT
C	1427,1430,1431,1435	0402B104K160CT
C	1428,1517	0402N102J500CT
C	1432-1434,1436,1469	0402N471J500CT
C	1443,1452,1489	0402N101J500CT
C	1444,1446,1448,1450	CC0402KRX7R7BB103
C	1447,1468,1472,1475	0603X475K6R3CT
C	1449,1453,1462,1465	0402B104K160CT
C	1455,1456,1458,1459	CC0402KRX7R7BB103
C	1461,1463,1464	CC0402KRX7R7BB103
C	1466,1479,1484,1486	0402B104K160CT
C	1470,1474,1476,1477	CC0402KRX5R5BB224
C	1478,1482,1485,1503	0603X475K6R3CT
C	1481,1483,1487,1496	CC0402KRX5R5BB224
C	1488,1493,1494,1515	0402B104K160CT
C	1491,1502	0402N471J500CT
C	1501,1508	0402N8R0C500CT
C	1504	CC0402KRX5R5BB224
C	1506	0805X226M100CT
C	1507	0603X105K160CT
C	1511	0603X475K6R3CT
C	1513,1514 (47 uF/16 V)	CCH1961
C	1516,1521,1523,1524	0402B104K160CT
C	1518	0402N561J500CT
C	1520,1525	0402B103K160CT
C	1527	0402B104K160CT

B
AUDIO ASSY
SEMICONDUCTORS

- IC 2201-2206
- IC 2301
- IC 2302
- IC 2302

- TC7SH08FUS2
- UA78M05IKVURG3
- NJM2872F33
- NJM2872BF33

Mark	No.	Description	Part No.	Mark	No.	Description	Part No.
		⚠ IC 2303	BD9851EFV	R	2305,2338,2432,2433		RC0402JR-07100KL@V
A		IC 2401	PCM1789PWR@V	R	2307,2320		RC0603DR-0730KL@V
		IC 2402,2403,2407-2409	NJM4580MD	R	2308,2309,2321		RC0603DR-0768KL@V
		IC 2404,2601	PCM1754DBQR@V	R	2311,2329		RC0603DR-075K1L@V
		IC 2603,2701,2702	NJM4580MD	R	2312		RC0603JR-07220RL@V
		IC 2703	PCM1803ADB	R	2313,2733,2734		RC0603DR-0712KL@V
		Q 2301,2308	LTC014EEB	R	2315		RC0805JR-070RL@V
		Q 2302,2309	RSQ035P03	R	2316,2318		RC0603JR-0722RL@V
		⚠ Q 2303	CJL3407	R	2317,2353		RC0402JR-074K7L@V
		Q 2304,2401,2402	LTC024EEB	R	2322,2323,2325		RC0402JR-0747KL@V
		⚠ Q 2305	RSQ045N03	R	2324		RC0603DR-071K2L@V
		Q 2306,2312,2314,2605	MMBTSC1623YW	R	2326,2327,2331,2332		RC0402JR-0722KL@V
B		Q 2307,2310,2311,2606	MMBTA1576QW	R	2330,2336		VW12WR680JTL
		Q 2313	LTC023JEB	R	2333		RC0603DR-07150KL@V
		Q 2403,2404	LTA024EEB	R	2334,2752		RC0603JR-070RL@V
		Q 2405-2412,2417-2424	INC2002AC1	R	2339-2341,2343,2344		RC0402JR-0710KL@V
		Q 2601,2602,2701-2704	2SK209	R	2342		RC0402JR-0733KL@V
		Q 2603,2604,2613,2614	INC2002AC1	R	2345		RC0402JR-0718KL@V
		Q 2607	MMBTSC1623YW	R	2346,2407,2738,2739		RC0402JR-0710KL@V
		Q 2608	MMBTA1576QW	R	2347		RC0402JR-0715KL@V
		Q 2609,2611	2SD1767	⚠ R	2350,2351		RT0603DRD0710RL@V
		Q 2610,2612	2SB1189	R	2404		RC0402JR-07100RL@V
		D 2301,2310-2313	1SS355L@V	R	2406		RC0402JR-07220KL@V
C		D 2302	RB551VM-30	R	2408-2415,2478-2485		RC0603DR-075K6L@V
		⚠ D 2303	LMBR140F	R	2424-2431,2502-2505		RC0603DR-073K3L@V
		⚠ D 2303	RB162MM-40TF	R	2434-2437,2442-2445		RC0603JR-0722KL@V
		D 2305,2306,2308,2309	LMBR140F	R	2438-2440,2453		RC0603DR-07300RL@V
		D 2305,2306,2308,2309	RB162MM-40TF	R	2441,2450,2455,2456		RC0603DR-07100RL@V
		D 2307	MMBD202CCW	R	2446,2601		RC0402JR-0747RL@V
		D 2314,2701-2704	RB501VM-40	R	2447,2602		RC0402JR-0756RL@V
		D 2601-2604	1SS355L@V	R	2448,2449,2603,2604		RC0402JR-070RL@V
		MISCELLANEOUS		R	2451,2452,2454,2457		DCN1200
		L 2301,2305,2306 CHIP COIL (22 uH)	BTH110404	R	2460-2463		RC0603JR-07100KL@V
		L 2302,2701 CHIP SOLID INDUCTOR	XTL3010	R	2464,2465,2506,2507		RC0603JR-0747KL@V
D		L 2303,2304 POWER INDUCTOR	ATH7011	R	2466,2469		RC0603DR-07150RL@V
		L 2702 CHIP SOLID INDUCTOR	XTL3010	R	2470,2473,2512,2513		RC0603JR-0722KL@V
		JA 2401,2402 CANON CONNECTOR	DKB1093				
		JA 2403 RCA JACK	DKB1120	R	2474,2475		RC0603DR-072K7L@V
		JA 2701 6.5 DIA JACK	DKN1669	R	2476,2477		RC0603DR-0718KL@V
		JA 2702 XLR SOCKET	DKB1124	R	2486,2487		RC0603DR-072K2L@V
		X 2201 OSCILLATOR (22.5792 MHz)	DSS1237	R	2488-2495		RC0603DR-0710KL@V
		CN 2201 FFC/FPC CONNECTOR	CKS6646	R	2496,2497,2500,2501		DCN1200
		CN 2202 FFC/FPC CONNECTOR	DKN1719	R	2498,2499		RC0603DR-07180RL@V
		CN 2203 CONNECTOR	HWW-SR0420-J1@V	R	2508-2511,2616,2617		RC0603JR-0710KL@V
		CN 2204 CONNECTOR	HWW-SL0420-J1@V	R	2514-2519		RC0603JR-0733RL@V
E		9001 CANON SHIELD	DNF1789	R	2605,2606		RC0603DR-074K7L@V
		9002 SHIELD CASE	DNF1947	R	2609,2610,2709-2714		RC0603DR-073K3L@V
		VA 2201,2401-2408 VARISTORS	EZJZ1V270RM	R	2615,2618		RC0603JR-071ML@V
		VA 2701-2708 VARISTORS	EZJZ1V270RM	R	2619,2620		RC0603JR-0710KL@V
				R	2621,2622		RC0805JR-0768RL@V
				R	2623-2626		RC0603JR-073K3L@V
				R	2627-2630		RC0603DR-071KL@V
		RESISTORS					
		R 2201,2202,2206-2208	RC0402JR-0722RL@V				
		R 2203-2205,2209,2348	RC0402JR-070RL@V	R	2631-2634		RC0603DR-071K8L@V
		R 2210-2213,2217-2219	RC0402JR-0722RL@V	R	2635-2642		RC1206JR-0722RL@V
		R 2214,2215,2220-2223	RC0603JR-070RL@V	R	2701-2708		RC0603JR-07100RL@V
		R 2216	RT0603DRD0722RL@V	R	2715,2716,2723,2724		RT0603DRD074K7L@V
				R	2717,2718,2721,2722		RT0603DRD071K5L@V
F		R 2224-2231,2401-2403	RC0402JR-0722RL@V				
		R 2302,2306,2337	RC0402JR-0710KL@V	R	2719,2720		RC0603DR-07820RL@V
		R 2303,2607,2608	RC0603DR-0715KL@V	R	2725,2726		RC0402JR-07150RL@V
		R 2304,2335,2416-2423	RC0603DR-0710KL@V	R	2727,2728		RC0603DR-073K3L@V

Mark	No.	Description	Part No.	Mark	No.	Description	Part No.		
R	2731,2732		RC0603DR-071K5L@V	C	2473-2478 (470 pF)		ACE7119		
R	2735,2736		RC0603DR-07220RL@V	C	2481		0402B102K500CT		
R	2740		RC0402JR-070RL@V	C	2488,2491,2613,2615		CC0402JRNPO9BN101	A	
R	2741-2744		RC0402JR-0722RL@V	C	2492,2603,2616,2630		0402N102J500CT		
VR	2701,2702	POTENTIOMETER	DCS1111	C	2607,2608		VGv476M016ANE01K		
				C	2611,2612		0603N181J500CT		
				C	2617,2619		0603N330J500CT		
CAPACITORS				C	2620,2625-2628,2728		0603B104K250CT		
C	2202,2204,2207,2208		0402B104K160CT	C	2621,2623		0402N331J500CT		
C	2203,2205,2209,2211		0402N102J500CT	C	2622,2624,2634,2741		0402B104K160CT		
C	2206,2215,2216,2407		CC0402JRNPO9BN101	C	2629,2633,2734,2735		CC0402JRNPO9BN101		
C	2210,2212,2313,2324		0402B104K160CT	C	2635,2636		0603B223K500CT		
C	2213,2303,2308,2310		0402N102J500CT	C	2701,2714-2717,2747		0402N102J500CT	B	
C	2214,2374,2404		0402N101J500CT	C	2702,2762		0603B104K500CT		
C	2301		0603B334K100CT	C	2704-2707		0603N222J500CT		
C	2302,2320,2347		VGv107M016ANE01K	C	2718,2719		0402B471K500CT		
C	2304,2307,2318,2332		0402X105K100CT	C	2720,2721,2729,2731		0402N821J500CT		
C	2305,2326,2346,2349		0402B103K500CT	C	2724,2725		0402B103K500CT		
C	2306		0402B224K160CT	C	2730,2738,2739		0603B104K250CT		
C	2311,2325,2348		0603X106K100CT	C	2732,2733		VRV226M016ANE01K		
C	2312,2323,2354,2355		0603B104K250CT	C	2743,2744		VGv226M016ANC01K		
C	2315		DCH1391	C	2745,2748,2749,2752		0402B104K160CT		
C	2316,2328,2352,2353		0402N102J500CT	C	2746,2751,2753,2758		CC0402JRNPO9BN101		
C	2317		0402B222K500CT	C	2750,2754,2759,2761		0402N102J500CT	C	
C	2319		0402B332K500CT	C	2760		RC0402JR-070RL@V		
C	2327		0402N561J500CT	PNL1 ASSY					
C	2329,2344,2345		0603B105K160CT	Consist of					
C	2330		DCH1385	DCK1 ASSY					
C	2331		0805X226M100CT	HP ASSY					
C	2333		0603X475K100CT	CE					
C	2334,2359,2366,2479		0402B102K500CT	PNL1 ASSY					
C	2335,2336,2369		0402X105K100CT	SEMICONDUCTORS					
C	2338		0603B822K500CT	IC	3200		TC74VHC164F		
C	2340,2341		0805B105K250CT	IC	3301		DYW2364*	D	
C	2342		0603N271J500CT	*Part number of the initial firmware equipped					
C	2343		DCH1361	Q	3301,3302,3417,3424		MMBTSC1623YW		
C	2350,2351		0402B104K250CT	Q	3303-3306		MMDT521MW		
C	2356,2368 (100 uF/25 V)		DCH1388	Q	3401,3403,3405,3407		MMDT5212W		
C	2357 (220 uF/25 V)		DCH1392	Q	3402,3404,3406,3408		ISA1602AM1		
C	2358,2408,2434,2602		0402B103K500CT	Q	3409,3411,3413,3415		MMDT5212W		
C	2360,2362,2364,2370		0402N102J500CT	Q	3410,3412,3414,3416		ISA1602AM1		
C	2361,2363,2367,2402		0603B104K250CT	Q	3419,3422		MMDT5212W		
C	2365,2480,2482,2614		0402B104K160CT	Q	3420,3423		ISA1602AM1		
C	2403,2406,2411,2413		0402N102J500CT	D	3302,3304-3306,3308		1SS355L@V	E	
C	2405,2410,2415		0603B104K250CT	D	3310-3312,3314,3315		1SS355L@V		
C	2409		VWV226M6R3ANB01K	D	3317,3318,3320,3321		1SS355L@V		
C	2412,2438,2439,2442		CC0402JRNPO9BN101	D	3323-3328,3414-3426		1SS355L@V		
C	2414,2416 (10 uF/25 V)		DCH1381	D	3329		RB501VM-40		
C	2417-2420		0603N391J500CT	D	3330-3333		MC2848-11		
C	2421-2428		0603N221J500CT	D	3401,3402,3404-3413		LTW1GHCW4P(A)		
C	2429-2432,2453-2455		0603B104K250CT	D	3403		LTL17KTBP5D@V		
C	2433,2445,2601,2605		0402X104K250CT	MISCELLANEOUS					
C	2435,2440,2443,2489		0402N102J500CT	L	3301-3303 SMD FERRITE BEADS		DTF1128		
C	2441,2483,2631,2755		0402B103K160CT	L	3305,3306 SMD FERRITE BEADS		DTF1128		
C	2446,2606,2740,2742		VGv226M6R3ANB01K	JA	3501 STEREO MINI JACK		XKN3017	F	
C	2447,2448,2471,2472		VGv476M016ANE01K	JA	3502 6.5 DIA JACK		DKN1669		
C	2449,2450,2609,2610		0603N102J500CT	KN	3200,3202,3301 EARTH TERMINAL		AKF7002		
C	2451,2452		0603N101J500CT						
C	2456-2459,2462-2465		CC0402JRNPO9BN101						
C	2460,2461,2466,2618		0603B104K250CT						
C	2467-2470 (220 uF/16 V)		DCH1368						

Mark	No.	Description	Part No.
	KN 3501	SCREW PLATE	VNE1948
	S 3301,3305,3309,3310	TACT SWITCH	DSG1079
	S 3302-3304	TACTILE SWITCH	DSG1157
	S 3306-3308,3311	TACTILE SWITCH	DSG1157
	S 3312,3315,3316	TACTILE SWITCH	DSG1157
	S 3313,3314,3317,3318	TACT SWITCH	DSG1079
	S 3319	TACT SWITCH	DSG1089
	S 3320	ROTARY ENCODER	DSX1133
	CN 3200	FFC/FPC CONNECTOR	DKN1692
	CN 3501	CONNECTOR	HWW-R0420-J1@V

Mark	No.	Description	Part No.
	C 3401-3404		0603B104K250CT
	C 3501,3502,3508,3509		DCH1344
	C 3503-3506		0603B223K500CT

D MIXER ASSY SEMICONDUCTORS

IC 2800,2801	TC74HC4051AF
IC 2901	TC74VHC164F
Q 2901,2905,2907,2909	MMDT5212W
Q 2902,2903	MMBTSC1623YW
Q 2904,2906,2908,2910	ISA1602AM1
Q 2911,2913,2915,2918	MMDT5212W
Q 2912,2914,2917,2919	ISA1602AM1
Q 2916,2920	MMDT521MW
D 2800-2803,2902,2904	1SS355L@V
D 2901,2908,2916,2921	LTW1GHCW4P(A)

D 2903,2910	LTL17KRH5D-P
D 2905-2907	MC2848-11
D 2909,2911-2913,2915	1SS355L@V
D 2914,2919,2924,2929	LTL17KSL5D-P
D 2917,2918,2920,2922	1SS355L@V
D 2923,2925,2927,2928	1SS355L@V
D 2926,2931,2935,2939	LTW1GHCW4P(A)
D 2930,2932,2934,2936	1SS355L@V
D 2933,2937	LTL17KSL5D-P
D 2938,2940,2942,2943	1SS355L@V
D 2941	LTW1GHCW4P(A)

MISCELLANEOUS

S 2901-2905	TACT SWITCH	DSG1079
CN 2800	FFC/FPC CONNECTOR	DKN1692
9001	SPACER	DEC3622

RESISTORS

R 2800,2801,2803	RC0603JR-07220KL@V
R 2804-2807,2974,2975	RC0603JR-0722RL@V
R 2901,2902	RC0603JR-072K2L@V
R 2903,2904	RC0603JR-0747KL@V
R 2905,2906,2908,2909	RC0603JR-07100RL@V

R 2907,2970	RC0603JR-0718KL@V
R 2910,2918,2931,2938	RC0603JR-0722KL@V
R 2911,2919,2920,2932	RC0603JR-074K7L@V
R 2912,2921,2922	RC0603JR-07100RL@V
R 2913,2923,2930,2937	RC0603JR-071K8L@V

R 2914,2924	RC0603JR-07910RL@V
R 2917	RC0603JR-072K7L@V
R 2925-2927	RC0603JR-07100RL@V
R 2933,2940	RC0603JR-07820RL@V
R 2939,2946,2953,2957	RC0603JR-074K7L@V

R 2944	RC0603JR-071K8L@V	
R 2945,2952,2959,2966	RC0603JR-0722KL@V	
R 2951,2958,2965	RC0603JR-075K6L@V	
R 2960,2964,2967	RC0603JR-074K7L@V	
VR 2800,2803,2814	ROTARY VR	DCS1117

VR 2801,2802,2804-2806	ROTARY VR	DCS1116
VR 2807,2812	SLIDE VR	DCV1035
VR 2808	VARIABLE RESISTOR	CCW1024
VR 2809-2811,2813,2815	ROTARY VR	DCS1116

RESISTORS

R 3203,3213	RC0603JR-0722RL@V
R 3204-3211,3309,3311	RC0603JR-07100RL@V
R 3212,3401	RC0603JR-074K7L@V
R 3301,3302,3502,3504	RC0603JR-070RL@V
R 3303-3306,3318,3320	RC0603JR-0710KL@V

R 3307,3308	RC0603JR-072K2L@V
R 3313	DCN1187
R 3315	RC0603DR-0727KL@V
R 3316,3317,3321	RC0603JR-07100RL@V
R 3319	RC0603DR-07220RL@V

R 3322	RC0603JR-0710KL@V
R 3324,3330	RC0603JR-07220KL@V
R 3326,3327	RC0603DR-0722KL@V
R 3333-3337	RC0805JR-070RL@V
R 3402,3408,3414,3419	RC0603JR-0722KL@V

R 3403,3409,3415,3420	RC0603JR-0747KL@V
R 3404,3406,3410,3412	RC0603JR-07360RL@V
R 3405,3427,3444,3446	RC0603JR-071K8L@V
R 3407	RC0603JR-072K7L@V
R 3411	RC0603JR-071K2L@V

R 3413,3418,3429,3434	RC0603JR-075K1L@V
R 3416,3417,3421,3422	RC0603JR-07360RL@V
R 3423	RC0603JR-073K9L@V
R 3424,3430,3435,3440	RC0603JR-0722KL@V
R 3425,3431,3436,3441	RC0603JR-0747KL@V

R 3426,3428,3432,3433	RC0603JR-07360RL@V
R 3437,3438,3442,3443	RC0603JR-07360RL@V
R 3439	RC0603JR-075K1L@V
R 3445,3448,3453,3457	RC0603JR-0747KL@V
R 3447,3452	RC0603JR-0722KL@V

R 3449,3454	RC1206JR-072K2L@V	
R 3451,3456	RC0603JR-071K8L@V	
R 3501,3503	RC0603JR-071KL@V	
VR 3301	VARIABLE RESISTOR	DCV1011
VR 3302,3303	ROTARY VR	DCS1117

CAPACITORS

C 3200,3202,3205,3211	0603B104K250CT
C 3204,3306	0603X106K6R3CT
C 3206,3208	KS7107M016A5E07K
C 3209,3210	0603B471K500CT
C 3301,3305,3307,3309	0603B104K250CT

C 3302	0603N221J500CT
C 3303,3304,3507	0603B103K500CT
C 3310	0603X106K100CT
C 3311,3313,3314	0603B104K250CT

Mark No.	Description	Part No.
CAPACITORS		
C	2800-2817,2826,2827	0603B104K250CT
C	2818-2825,2828-2836	0603B471K500CT
C	2837,2841	KS7107M016A5E07K
C	2838,2840,2842,2902	0603B104K250CT
C	2839	0603X106K6R3CT
C	2901,2903,2905-2907	0603B471K500CT
C	2908,2909	0603B104K250CT



PNL2 ASSY SEMICONDUCTORS

IC	3700	TC74VHC164F
IC	3801	DYW2364*
*Part number of the initial firmware equipped		
Q	3801,3802,3915,3925	MMBTSC1623YW
Q	3803-3806,3920	MMDT521MW
Q	3901,3904,3905,3909	MMDT5212W
Q	3902,3906,3907,3911	ISA1602AM1
Q	3910,3913,3916,3918	MMDT5212W
Q	3912,3914,3917,3919	ISA1602AM1
Q	3921,3923	MMDT5212W
Q	3922,3924	ISA1602AM1
D	3801,3806,3811,3815	MC2848-11
D	3802-3805,3807-3810	1SS355L@V
D	3812-3814,3816-3821	1SS355L@V
D	3822	RB501VM-40
D	3901-3908,3910,3912	LTW1GHCW4P(A)
D	3909	LTL17KRH5D-P
D	3911	LTL17KSL5D-P
D	3913-3922	1SS355L@V

MISCELLANEOUS

L	3801-3803 SMD FERRITE BEADS	DTF1128
L	3805,3806 SMD FERRITE BEADS	DTF1128
KN	3700,3702,3801 EARTH TERMINAL	AKF7002
S	3700,3802-3804 TACTILE SWITCH	DSG1157
S	3801,3805,3809,3812 TACT SWITCH	DSG1079
S	3806-3808,3810 TACTILE SWITCH	DSG1157
S	3811,3813,3814 TACTILE SWITCH	DSG1157
S	3815 TACT SWITCH	DSG1089
S	3816,3817 ROTARY ENCODER	DSX1133
CN	3700 FFC/FPC CONNECTOR	DKN1721
PC	3801,3802 PHOTO INTERRUPTER	ITR9606/F17@V
VA	3801,3802 SMD VARISTOR	EZJZ1V80010
VA	3803-3810 VARISTORS	EZJZ1V270RM

RESISTORS

R	3703,3713	RC0603JR-0722RL@V
R	3704-3711,3809,3811	RC0603JR-07100RL@V
R	3712	RC0603JR-074K7L@V
R	3801,3802	RC0603JR-070RL@V
R	3803-3806,3816,3818	RC0603JR-0710KL@V
R	3807,3808	RC0603JR-072K2L@V
R	3813	DCN1187
R	3815	RC0603DR-0727KL@V
R	3817	RC0603DR-07220RL@V
R	3819,3821-3824	RC0603JR-07100RL@V
R	3820	RC0603JR-0710KL@V
R	3827,3828	RC0603DR-0722KL@V

Mark No.	Description	Part No.
R	3829,3832	RC0603JR-07220KL@V
R	3835-3839	RC0805JR-070RL@V
R	3901,3907,3916,3926	RC0603JR-075K1L@V
R	3902,3908,3911,3917	RC0603JR-0722KL@V
R	3903,3909,3912,3918	RC0603JR-0747KL@V
R	3904,3905,3913,3915	RC0603JR-07360RL@V
R	3906,3920,3927,3956	RC0603JR-071K8L@V
R	3910,3924	RC1206JR-072K2L@V
R	3919,3921,3930,3932	RC0603JR-07360RL@V
R	3922,3928,3934,3939	RC0603JR-0722KL@V
R	3923,3929,3931,3935	RC0603JR-0747KL@V
R	3933,3938,3945,3951	RC0603JR-075K1L@V
R	3936,3937,3941,3942	RC0603JR-07360RL@V
R	3940,3947,3953,3957	RC0603JR-0747KL@V
R	3943	RC0603JR-0756RL@V
R	3946,3952	RC0603JR-0722KL@V
R	3948,3949,3954,3955	RC0603JR-07360RL@V
R	3950	RC0603JR-07680RL@V
VR	3801 VARIABLE RESISTOR	DCV1011
VR	3802,3803 ROTARY VR	DCS1117

CAPACITORS

C	3700,3702,3705,3709	0603B104K250CT
C	3704,3710,3804	0603X106K6R3CT
C	3707,3708	KS7107M016A5E07K
C	3715,3716	0603B471K500CT
C	3717,3801,3803,3810	0603B104K250CT
C	3802	0603N221J500CT
C	3805-3808	0603B103K500CT
C	3811,3817,3819,3820	0603B104K250CT
C	3812	0603X106K100CT
C	3901-3904	0603B104K250CT