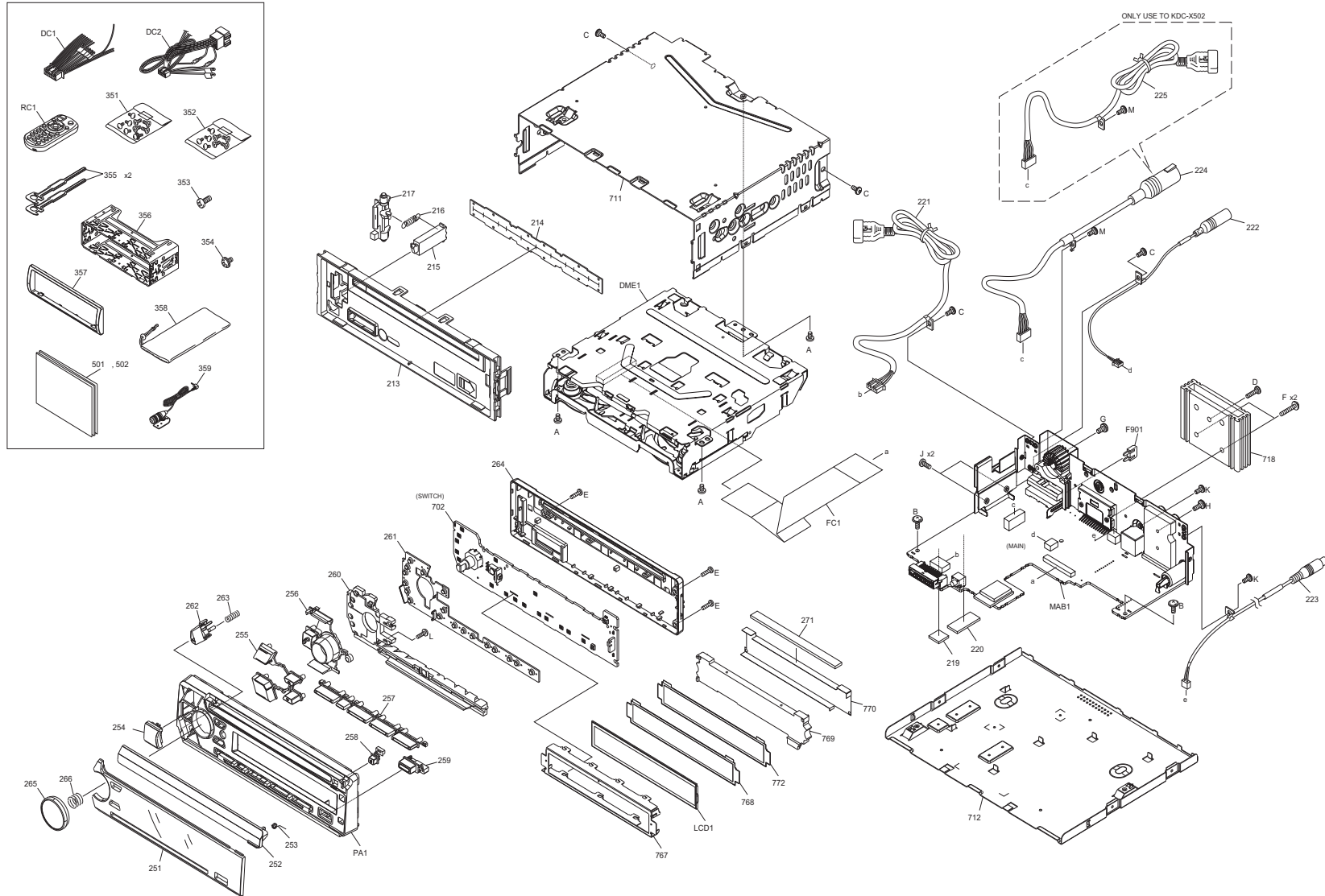


EXPLODED VIEW (UNIT)

Block No.M1MM



Parts with the exploded numbers larger than 700 are not supplied.

MODEL	MARK	MODEL	MARK	MODEL	MARK	MODEL	MARK
KDC-BT572U	K1	KDC-X502	K0	KDC-X5200BT	E1	KDC-X5200BTM	M1
KMR-D772BT	K2						

Safe	Symbol No.	Parts No.	Parts Name	Description	QTY	Local
EXPLODED VIEW (UNIT) <M1MM>						
△	DC1	E3A-0382-00	DC CORD		1	K1,K0,K2
△	DC2	E3A-0320-00	DC CORD		1	E1,M1
	MAB1	CB-XJ1211K08N	MAIN PWB ASSY	XJ1-211K-08	1	K1
	MAB1	CB-XJ1211K07N	MAIN PWB ASSY	XJ1-211K-07	1	K0
	MAB1	CB-XJ1211E03N	MAIN PWB ASSY	XJ1-211E-03	1	E1
	MAB1	CB-XJ1211M04N	MAIN PWB ASSY	XJ1-211M-04	1	M1
	MAB1	CB-XJ1211K09N	MAIN PWB ASSY	XJ1-211K-09	1	K2
	DME1	XJJ-0410-00	CD MECHANISM ASSY		1	
△	F901	FZB10BT-100	BLADE FUSE		1	
	FC1	E3G-0037-00	FFC WIRE		1	
	LCD1	B3H-0070-00	LCD		1	K1,K0,E1,M1
	LCD1	B3H-0092-00	LCD		1	K2
	PA1	A6D-0086-00	PANEL		1	K1,E1,M1
	PA1	A6D-0086-01	PANEL		1	K0
	PA1	A6D-0086-02	PANEL		1	K2
	RC1	A7A-0019-00	REMOTE CTL(IR)		1	M1
	A	QYSDST2604ZA	TAP SCREW	M2.6 x 4mm	3	
	B	LV41200-004A	SPECIAL SCREW		2	
	C	QYSDST2606ZA	TAP SCREW	M2.6 x 6mm	4	
	D	QYSDST2610ZA	TAP SCREW	M2.6 x 10mm	1	
	E	QYSDSF2008ZA	TAP SCREW	M2 x 8mm	3	
	F	GE40377-005A	SPECIAL SCREW		2	
	G	QYSPSG3008ZA	TAP SCREW	M3 x 8mm	1	
	H	QYSDSF2608ZA	TAP SCREW	M2.6 x 8mm	1	
	J	QYSDST2608ZA	TAP SCREW	M2.6 x 8mm	2	
	K	QYSDST2606ZA	TAP SCREW	M2.6 x 6mm	2	K1,K0,K2
	L	QYSPSF2006ZA	TAP SCREW	M2 x 6mm	1	
	M	QYSDST2606ZA	TAP SCREW	M2.6 x 6mm	1	K0,K2
	213	A2C-0044-01	SUB PANEL		1	
	214	F1K-0050-00	BLIND PLATE		1	
	215	D1A-0023-00	LEVER		1	
	216	G0A-0027-00	EXTEN.SPRING		1	
	217	D1A-0022-00	LEVER		1	
	219	LV46006-001A	COOLING RUBBER		1	
	220	F0C-0073-00	COOL SHEET		1	K0,E1,M1
	221	E3A-0313-00	DC CORD ASSY	USB1	1	
	222	E3A-0315-00	CORD W.CON.	AUX	1	
	223	E3A-0459-00	CORD W.CON.	MIC	1	K1,K0,K2
	224	E3A-0316-00	CORD W.CON.	MARINE	1	K2
	225	E3A-0314-00	DC CORD ASSY	USB2	1	K0
	251	B1A-0068-1D	FRONT GLASS		1	K1
	251	B1A-0068-1E	FRONT GLASS		1	K0
	251	B1A-0068-18	FRONT GLASS		1	E1
	251	B1A-0068-1A	FRONT GLASS		1	M1
	251	B1A-0068-19	FRONT GLASS		1	K2
	252	F0G-0187-0C	COVER		1	K1
	252	F0G-0187-0D	COVER		1	K0
	252	F0G-0187-07	COVER		1	E1
	252	F0G-0187-09	COVER		1	M1
	252	F0G-0187-08	COVER		1	K2
	253	G0A-0075-00	TOR.COIL SPRING		1	
	254	K2K-0234-00	KEY TOP		1	K1,E1,M1,K2
	254	K2K-0234-01	KEY TOP		1	K0
	255	K2F-0049-00	PUSH KNOB		1	
	256	B1B-0091-00	LENS		1	
	257	K2F-0050-00	PUSH KNOB		1	
	258	K2E-0056-00	PUSH KNOB		1	
	259	K2F-0067-00	PUSH KNOB		1	
	260	B1K-0059-00	LIGHTING BOARD		1	
	261	E2K-0043-00	CONDUCT RUBBER		1	
	262	K2K-0214-00	KNOB		1	
	263	GE30999-013A	COMP.SPRING		1	
	264	A4G-0062-00	REAR COVER		1	
	265	K2K-0215-01	KNOB BASE		1	
	266	GE40127-005A	KNOB SPRING		1	
	271	E2K-0029-00	CONDUCT RUBBER		1	
	351	GE40531-001A	SCREW SET		1	K0
	352	GE40536-001A	SCREW SET		1	M1
	353	QYSPSF2008ZA	TAP SCREW	M2 x 8mm	1	K1,K0,M1,K2
	354	QYSPSPD4008ZA	SCREW	M4 x 8mm	1	M1
	355	GE40685-001A	HOOK		2	
	356	GE20362-002A	MOUNTING SLEEVE		1	
	357	B0H-0014-00	ESCUTCHEON		1	K1
	357	B0H-0013-00	ESCUTCHEON		1	K0,E1,M1
	357	B0H-0013-01	ESCUTCHEON		1	K2
	358	GE40521-001A	CARRYING CASE		1	M1
	359	QAN0126-001	MICROPHONE		1	
	501	B5A-2116-00	INST.MANUAL	ENG FRE SPA	1	K1,K0,K2
	501	B5A-2117-00	INST.MANUAL	ENG GER ITA RUS	1	E1
	501	B5A-2119-00	INST.MANUAL	ENG ARA	1	M1
	502	B5A-2117-01	INST.MANUAL	FRE SPA POR DUT	1	E1
	502	B5A-2119-01	INST.MANUAL	RUS PER TUR	1	M1
	702	-----	SWITCH PWB ASSY	NO SERVICE PART	1	K1,K0,M1
	702	-----	SWITCH PWB ASSY	NO SERVICE PART	1	E1
	702	-----	SWITCH PWB ASSY	NO SERVICE PART	1	K2
	711	-----	TOP COVER	NO SERVICE PART	1	K1,K0,K2
	711	-----	TOP COVER	NO SERVICE PART	1	E1,M1
	712	-----	BOTTOM PLATE	NO SERVICE PART	1	
	718	-----	HEAT SINK	NO SERVICE PART	1	
	767	-----	LCD CASE	NO SERVICE PART	1	

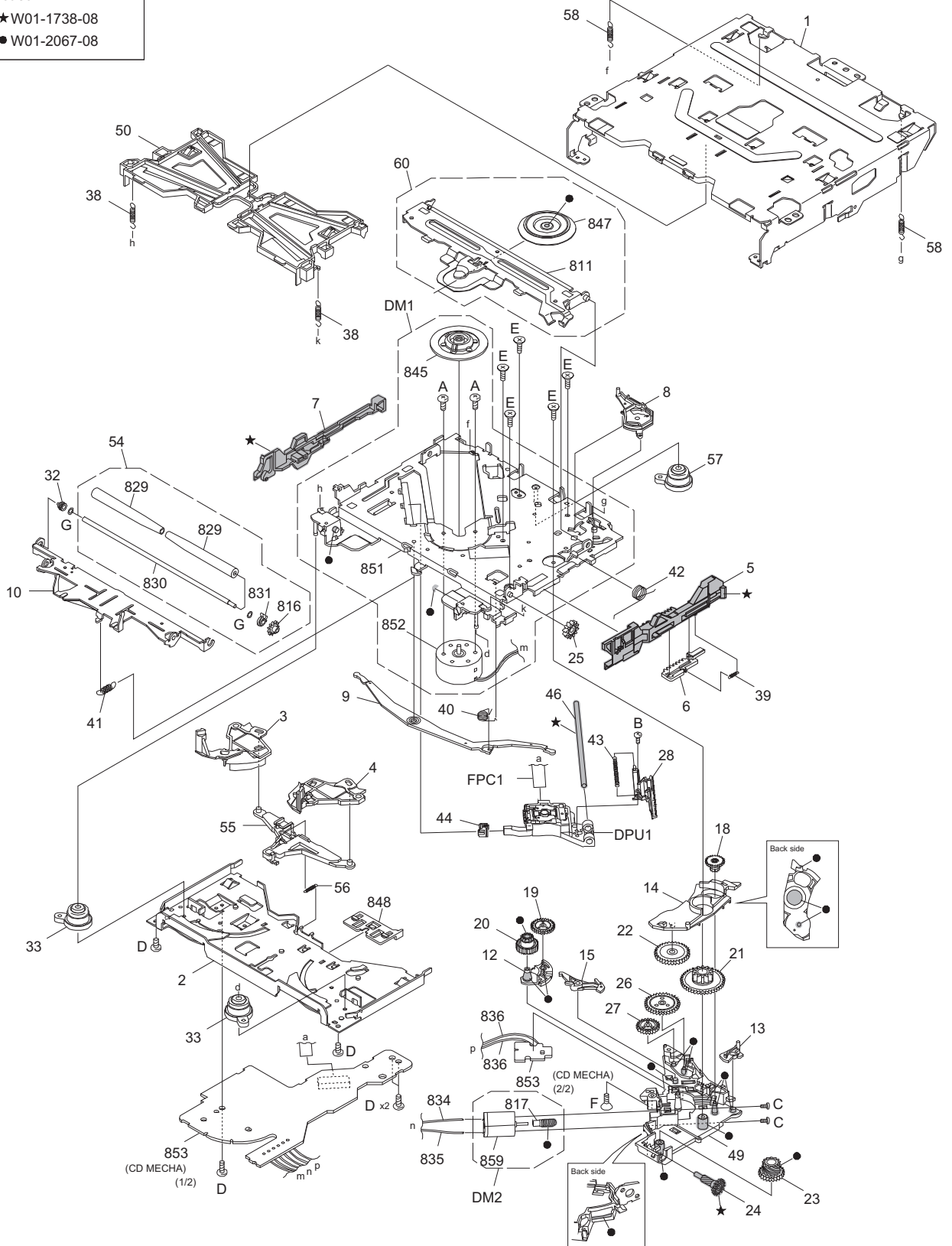
MODEL	MARK	MODEL	MARK	MODEL	MARK	MODEL	MARK
KDC-BT572U	K1	KDC-X502	K0	KDC-X5200BT	E1	KDC-X5200BTM	M1
KMR-D772BT	K2						

Safe	Symbol No.	Parts No.	Parts Name	Description	QTY	Local
	768	-----	OPTI.DIFFUSER	NO SERVICE PART	1	K1,K0,E1,M1
	768	-----	OPTI.DIFFUSER	NO SERVICE PART	1	K2
	769	-----	LIGHTING BOARD	NO SERVICE PART	1	
	770	-----	REF.SHEET	NO SERVICE PART	1	
	772	-----	OPTI.DIFFUSER	NO SERVICE PART	1	K2

EXPLODED VIEW (CD MECHANISM: XJJ-0410-00)

Block No.MBMM

- Grease
- ★W01-1738-08
 - W01-2067-08



Parts with the exploded numbers larger than 800 are not supplied.

MODEL	MARK	MODEL	MARK	MODEL	MARK	MODEL	MARK
KDC-BT572U	K1	KDC-X502	K0	KDC-X5200BT	E1	KDC-X5200BTM	M1
KMR-D772BT	K2						

Safe	Symbol No.	Parts No.	Parts Name	Description	QTY	Local
------	------------	-----------	------------	-------------	-----	-------

EXPLODED VIEW (CD MECHANISM: XJJ-0410-00) <MBMM>

DM1	CM-FC2-MD	MD CHASSIS ASSY			1	
DM2	CM-FC2-M	LOADING MOTOR ASSY			1	
DPU1	T2F-0002-00	CD OPT PICKUP			1	
FPC1	QAL1465-001	FPC			1	
A	LV45568-001A	MINI SCREW			2	
B	QYSPSGT1745ZA	TAP SCREW	M1.7 x 4.5mm		1	
C	QYSPSPT2025MA	SCREW	M2 x 2.5mm		2	
D	VKZ4539-054	MINI SCREW			5	
E	LV45818-001A	G.HOLDER SCREW			5	
F	LV45815-001A	M. SHAFT SCREW			1	
G	LV45816-001A	ROLLER WASHER			2	
1	LV11877-003A	OUTER CHASSIS			1	
2	LV11878-004A	LOWER CHASSIS			1	
3	LV3A174-002A	DISC ARM L			1	
4	LV3A175-001A	DISC ARM R			1	
5	LV23057-001A	SLIDER R			1	
6	LV3A178-001A	TRIGGER SLIDER			1	
7	LV23058-001A	SLIDER L			1	
8	LV3A179-002A	TRIGGER ARM			1	
9	LV3A173-001A	JOINT LEVER			1	
10	LV23055-003A	ROLLER LEVER			1	
12	LV3A181-002A	TRANSFER ARM			1	
13	LV45797-002A	SL LOCK CAM			1	
14	LV3A182-003A	SL LOCK ARM			1	
15	LV3A183-001A	PICK LOCK ARM			1	
18	LV3A187-002A	HELICAL GEAR 1			1	
19	LV3A188-001A	TRANSFER GEAR			1	
20	LV3A189-001A	LOAD GEAR H			1	
21	LV3A190-001A	DRIVE GEAR			1	
22	LV3A191-001A	JOINT GEAR			1	
23	LV3A192-001A	WORM GEAR 2			1	
24	LV3A193-001A	HELICAL GEAR 2			1	
25	LV3A194-001A	LOAD GEAR V			1	
26	LV3A195-001A	PICK GEAR 1			1	
27	LV3A196-001A	PICK GEAR 2			1	
28	LV3A197-001A	RACK GEAR			1	
32	LV45796-001A	R.RETAINER L			1	
33	D3K-0002-00	DAMPER			2	
38	LV45809-001A	FLOAT SPRING(F)			2	
39	LV45810-001A	TRIGGER SPRING			1	
40	LV45811-001A	LOAD SPRING			1	
41	LV45812-001A	ROLLER SPRING			1	
42	LV45813-002A	CLAMP SPRING			1	
43	LV45814-001A	PICK SPRING			1	
44	LV36813-201A	SUB GUIDE CAP			1	
46	LV44555-001A	MAIN SHAFT			1	
49	LV11881-002A	GEAR HOLDER			1	
50	LV11880-003A	DISC GUIDE			1	
54	CM-FC2-R	ROLLER ASSY			1	
55	D10-7176-03	ARM			1	
56	G01-4809-04	EXTEN.SPRING			1	
57	D3K-0003-00	DAMPER			1	
58	LV45835-001A	FLOAT SPRING(R)			2	
60	LV3A271-001A	CL BASE ASSY			1	
811	-----	CLAMP ARM	NO SERVICE PART		1	
816	-----	ROLLER GEAR	NO SERVICE PART		1	
817	-----	WORM GEAR 1	NO SERVICE PART		1	
829	-----	ROLLER	NO SERVICE PART		2	
830	-----	ROLLER SHAFT	NO SERVICE PART		1	
831	-----	R.RETAINER R	NO SERVICE PART		1	
834	-----	SIN TWIST WIRE	NO SERVICE PART		1	
835	-----	SIN TWIST WIRE	NO SERVICE PART		1	
836	-----	SIN TWIST WIRE	NO SERVICE PART		2	
845	-----	HC TURN TABLE	NO SERVICE PART		1	
847	-----	CLAMPER	NO SERVICE PART		1	
848	-----	WIRE HOLDER	NO SERVICE PART		1	
851	-----	MD CHASSIS ASSY	NO SERVICE PART		1	
852	-----	SPINDLE MOTOR	NO SERVICE PART		1	
853	-----	CD MECHA PWB ASSY	NO SERVICE PART		1	
859	-----	MOTOR	NO SERVICE PART		1	

MODEL	MARK	MODEL	MARK	MODEL	MARK	MODEL	MARK
KDC-BT572U	K1	KDC-X502	K0	KDC-X5200BT	E1	KDC-X5200BTM	M1
KMR-D772BT	K2						

Safe	Symbol No.	Parts No.	Parts Name	Description	QTY	Local
MAIN PWB ASSY (XJ1-211x-0x) <XJ1>						
		IC161	BD37069FV-M	ANALOG IC	1	
		IC162	NJM11100F1	ANALOG IC	1	
		IC164	NJM11100F1	ANALOG IC	1	E1,M1
		IC165	NJW4190R-A	ANALOG IC	1	K0,K2
		IC220	NJM8065V	ANALOG IC	1	
△		IC301	JCV8034	ANALOG IC	1	
		IC411	MFI337S395901	MCU IC	1	
		IC470	TC7SH08FUJF	MOS IC	1	K1,K0,K2
		IC481	SN65HVD3082ED	MOS IC	1	K2
		IC482	TC7SH08FUJF	MOS IC	1	K2
		IC500	MP9942AGJ	ANALOG IC	1	K0
		IC540	MP9942AGJ	ANALOG IC	1	
		IC560	MP9942AGJ	ANALOG IC	1	
△		IC601	TEF6657HN-X	IC	1	
△		IC701	STA1080	MPU IC	1	BGA
		IC702	TC7SH08FUJF	MOS IC	1	
△		IC821	W3F-0340-00	ROM IC	1	
△		IC822	W25Q16JVSSIQ	ROM IC	1	
		IC831	IC-PST8428U	MOS IC	1	
		IC880	BD00IA5WEFJ	ANALOG IC	1	
		IC890	BD2242G-G	MOS IC	1	
		IC891	BD2242G-G	MOS IC	1	K0
△		IC901	LV5685PV-H	ANALOG IC	1	
△		IC1901	M12L1281686TN	DRAM IC	1	
		Q220	2SC1623/56/	TRANSISTOR	1	
		Q240	IMX9	DUAL TRANSISTOR	1	
		Q270	KRA303E-P	DIGI TRANSISTOR	1	
		Q271	KTA2014P/Y/	TRANSISTOR	1	
		Q272	KRC403E-P	DIGI TRANSISTOR	1	
		Q273	KRA303E-P	DIGI TRANSISTOR	1	
		Q274	KRC403E-P	DIGI TRANSISTOR	1	
		Q300	IMX9	DUAL TRANSISTOR	1	
		Q310	IMX9	DUAL TRANSISTOR	1	
		Q470	KRC402E-P	DIGI TRANSISTOR	1	K1,K0,K2
		Q471	KRC410E-P	DIGI TRANSISTOR	1	K1,K0,K2
		Q480	LSCR523UBFS8	TRANSISTOR	1	K2
		Q481	LSCR523UBFS8	TRANSISTOR	1	K2
		Q482	LSCR523UBFS8	TRANSISTOR	1	K2
		Q483	LSAR523UBFS8	TRANSISTOR	1	K2
		Q484	RSR015P06	FET	1	K2
		Q485	LTC043EUBFS8	DIGI TRANSISTOR	1	K2
		Q486	KRC406P	DIGI TRANSISTOR	1	K2
		Q500	LTC043EUBFS8	DIGI TRANSISTOR	1	
		Q890	LTC043EUBFS8	DIGI TRANSISTOR	1	
		Q920	KRA307E-P	TRANSISTOR	1	
		Q941	RE1C002ZP	FET	1	
		Q942	KRC407E-P	DIGI TRANSISTOR	1	
		D220	UDZV6.8B	ZENER DIODE	1	K1,K0,K2
		D221	UDZV6.8B	ZENER DIODE	1	
		D222	UDZV5.6B	ZENER DIODE	1	
		D271	BAW56-TP	DIODE ARRAY	1	
		D273	1SS355VM	DIODE	1	
		D370	BAW56-TP	DIODE ARRAY	1	
		D390	SM5818PL	SCHOTTKY DIODE	1	
		D391	MBR0530	DIODE	1	
		D400	RB521SM-30	DIODE	1	
		D401	UDZV5.1B	ZENER DIODE	1	
		D471	RSB6.8SM	ZENER DIODE	1	K1,K0,K2
		D472	RSB6.8SM	ZENER DIODE	1	K1,K0,K2
		D473	RSB6.8SM	ZENER DIODE	1	
		D474	RSB6.8SM	ZENER DIODE	1	K1,K0,K2
		D475	UDZV6.8B	ZENER DIODE	1	K1,K0,K2
		D476	UDZV6.8B	ZENER DIODE	1	K1,K0,K2
		D480	UDZV6.2B	ZENER DIODE	1	K2
		D481	UDZV6.2B	ZENER DIODE	1	K2
		D482	UDZV5.1B	ZENER DIODE	1	K2
		D540	SMD24PL	SCHOTTKY DIODE	1	
		D541	SMD24PL	SCHOTTKY DIODE	1	K0
		D560	SK34A-L	SCHOTTKY DIODE	1	
		D701	UDZV5.1B	ZENER DIODE	1	
		D702	UDZV5.1B	ZENER DIODE	1	
		D704	UDZV5.1B	ZENER DIODE	1	
		D706	UDZV5.1B	ZENER DIODE	1	
		D902	SK34A-L	SCHOTTKY DIODE	1	
		D903	SK34A-L	SCHOTTKY DIODE	1	
△		D991	GN3XB	DIODE	1	
		D2001	UDZV7.5B	ZENER DIODE	1	
		D2002	UDZV7.5B	ZENER DIODE	1	
		D2008	RSB6.8SM	ZENER DIODE	1	
		C110	CK73HXR1H332K	C CAPACITOR	1	3300pF 50V K
		C111	CK73HXR1H332K	C CAPACITOR	1	3300pF 50V K
		C112	CK73EBB1C475K	C CAPACITOR	1	4.7uF 16V K
		C113	CK73EXR1E106K	C CAPACITOR	1	10uF 25V K
		C114	CK73EBB1C475K	C CAPACITOR	1	4.7uF 16V K
		C161	CE32BJ1V4R7M	E CAPACITOR	1	4.7uF 35V M
		C162	CE32BJ1V4R7M	E CAPACITOR	1	4.7uF 35V M
		C163	CE32BJ1V4R7M	E CAPACITOR	1	4.7uF 35V M
		C164	CE32BJ1V4R7M	E CAPACITOR	1	4.7uF 35V M
		C165	CE32BJ1V4R7M	E CAPACITOR	1	4.7uF 35V M
		C166	CE32BJ1V4R7M	E CAPACITOR	1	4.7uF 35V M

MODEL	MARK	MODEL	MARK	MODEL	MARK	MODEL	MARK
KDC-BT572U	K1	KDC-X502	K0	KDC-X5200BT	E1	KDC-X5200BTM	M1
KMR-D772BT	K2						

Safe	Symbol No.	Parts No.	Parts Name	Description	QTY	Local
	C167	CK73GXR0J475K	C CAPACITOR	4.7uF 6.3V K	1	
	C168	CK73GXR0J475K	C CAPACITOR	4.7uF 6.3V K	1	
	C169	CE32BY1C470M	E CAPACITOR	47uF 16V M	1	
	C170	CE32CL1C100M	E CAPACITOR	10uF 16V M	1	
	C171	CE32BM1E470M	E CAPACITOR	47uF 25V M	1	K0,K2
	C171	CE32CL1E330M	E CAPACITOR	33uF 25V M	1	E1,M1
	C175	CK73HXR1H103K	C CAPACITOR	0.01uF 50V K	1	
	C176	CK73GXR1A106K	C CAPACITOR	10uF 10V K	1	
	C177	CK73GXR1A106K	C CAPACITOR	10uF 10V K	1	
	C181	CK73FXR1C106K	C CAPACITOR	10uF 16V K	1	K0,K2
	C183	CK73GXR1C105K	C CAPACITOR	1uF 16V K	1	K0,K2
	C187	CK73HXR1A105K	C CAPACITOR	1uF 10V K	1	K0,K2
	C188	CK73GXR1E105K	C CAPACITOR	1uF 25V K	1	K0,K2
	C189	CK73HXR1C104K	C CAPACITOR	0.1uF 16V K	1	E1,M1
	C190	CK73HXR1H103K	C CAPACITOR	0.01uF 50V K	1	E1,M1
	C191	CC73HCH1H101J	C CAPACITOR	100pF 50V J	1	E1,M1
	C192	CK73GXR1A106K	C CAPACITOR	10uF 10V K	1	E1,M1
	C222	CK73GBB1H333K	C CAPACITOR	0.033uF 50V K	1	
	C223	CK73HXR1C333K	C CAPACITOR	0.033uF 16V K	1	
	C224	CK73HXR1A105K	C CAPACITOR	1uF 10V K	1	
	C225	CK73HXR1A105K	C CAPACITOR	1uF 10V K	1	
	C226	CC73HCH1H220J	C CAPACITOR	22pF 50V J	1	
	C227	CK73HXR1H471K	C CAPACITOR	470pF 50V K	1	
	C228	CK73HXR1A105K	C CAPACITOR	1uF 10V K	1	
	C229	CK73HXR1A105K	C CAPACITOR	1uF 10V K	1	
	C230	CK73HXR1A105K	C CAPACITOR	1uF 10V K	1	
	C231	CK73HXR1H471K	C CAPACITOR	470pF 50V K	1	
	C234	CK73HXR1A105K	C CAPACITOR	1uF 10V K	1	
	C235	CK73HXR1A105K	C CAPACITOR	1uF 10V K	1	
	C236	CK73HXR1A104K	C CAPACITOR	0.1uF 10V K	1	
	C237	CK73HXR1H103K	C CAPACITOR	0.01uF 50V K	1	
	C252	CK73EBB1C475K	C CAPACITOR	4.7uF 16V K	1	
	C273	CK73HXR1A105K	C CAPACITOR	1uF 10V K	1	
	C304	CE32CL1E330M	E CAPACITOR	33uF 25V M	1	
	C311	CK73GXR0J475K	C CAPACITOR	4.7uF 6.3V K	1	
	C312	CK730AV1C105K	C CAPACITOR	1uF 16V K	1	
	C316	CK730AV1C224K	C CAPACITOR	0.22uF 16V K	1	
	C317	CK730AV1C224K	C CAPACITOR	0.22uF 16V K	1	
	C318	CK730AV1C224K	C CAPACITOR	0.22uF 16V K	1	
	C319	CK730AV1C224K	C CAPACITOR	0.22uF 16V K	1	
	C322	CK73EBB1C475K	C CAPACITOR	4.7uF 16V K	1	
	C332	CK73EBB1C475K	C CAPACITOR	4.7uF 16V K	1	
	C342	CK73EBB1C475K	C CAPACITOR	4.7uF 16V K	1	
	C352	CK73EBB1C475K	C CAPACITOR	4.7uF 16V K	1	
	C370	CK73GXR1H104K	C CAPACITOR	0.1uF 50V K	1	
	C390	CK73HXR1E224K	C CAPACITOR	0.22uF 25V K	1	
	C391	CK73HXR1E224K	C CAPACITOR	0.22uF 25V K	1	
	C410	CK73HXR1A104K	C CAPACITOR	0.1uF 10V K	1	
	C472	CK73HXR1E104K	C CAPACITOR	0.1uF 25V K	1	K1,K0,K2
	C473	CK73FXR1C106K	C CAPACITOR	10uF 16V K	1	K1,K0,K2
	C474	CK73GXR1C225K	C CAPACITOR	2.2uF 16V K	1	K1,K0,K2
	C475	CK73GXR1C225K	C CAPACITOR	2.2uF 16V K	1	K1,K0,K2
	C480	CK73HXR1H103K	C CAPACITOR	0.01uF 50V K	1	K2
	C481	CK73HXR1C104K	C CAPACITOR	0.1uF 16V K	1	K2
	C482	CK73HXR1A105K	C CAPACITOR	1uF 10V K	1	K2
	C483	CK73HXR1A104K	C CAPACITOR	0.1uF 10V K	1	K2
	C484	CK73HXR1H102K	C CAPACITOR	1000pF 50V K	1	K2
	C485	CK73HXR1H103K	C CAPACITOR	0.01uF 50V K	1	K2
	C486	CK73HXR1H682K	C CAPACITOR	6800pF 50V K	1	K2
	C487	CK73HXR1H471K	C CAPACITOR	470pF 50V K	1	K2
	C500	CE32CC1A151M	E CAPACITOR	150uF 10V M	1	K0
	C501	CK73FXR1A106K	C CAPACITOR	10uF 10V K	1	K0
	C502	CK73HXR1A104K	C CAPACITOR	0.1uF 10V K	1	K0
	C503	CK73HXR1E104K	C CAPACITOR	0.1uF 25V K	1	K0
	C504	CK73HXR1C104K	C CAPACITOR	0.1uF 16V K	1	K0
	C505	CK73FXR1C106K	C CAPACITOR	10uF 16V K	1	K0
	C506	CK73FXR1C106K	C CAPACITOR	10uF 16V K	1	K0
	C507	CK73HXR1A224K	C CAPACITOR	0.22uF 10V K	1	K0
	C508	CK73HXR1A224K	C CAPACITOR	0.22uF 10V K	1	K0
	C509	CC73HCH1H150J	C CAPACITOR	15pF 50V J	1	K0
	C510	CK73HXR1C104K	C CAPACITOR	0.1uF 16V K	1	K0
	C540	CE32CC1A151M	E CAPACITOR	150uF 10V M	1	
	C541	CK73GXR1A106K	C CAPACITOR	10uF 10V K	1	
	C542	CK73GXR1H104K	C CAPACITOR	0.1uF 50V K	1	
	C543	CK73HXR1E104K	C CAPACITOR	0.1uF 25V K	1	
	C544	CK73GBB1H471K	C CAPACITOR	470pF 50V K	1	
	C545	CK73FXR1C106K	C CAPACITOR	10uF 16V K	1	
	C547	CK73HXR1C104K	C CAPACITOR	0.1uF 16V K	1	
	C548	CK73HXR1A224K	C CAPACITOR	0.22uF 10V K	1	
	C549	CK73HXR1A224K	C CAPACITOR	0.22uF 10V K	1	
	C550	CC73HCH1H150J	C CAPACITOR	15pF 50V J	1	
	C551	CD04ET1C222M1	E CAPACITOR	2200uF 16V M	1	
	C560	CE32CC1A151M	E CAPACITOR	150uF 10V M	1	
	C561	CK73GXR0J106K	C CAPACITOR	10uF 6.3V K	1	
	C562	CK73GXR1H104K	C CAPACITOR	0.1uF 50V K	1	
	C563	CK73HXR1E104K	C CAPACITOR	0.1uF 25V K	1	
	C565	CK73FXR1C106K	C CAPACITOR	10uF 16V K	1	
	C567	CK73HXR1C104K	C CAPACITOR	0.1uF 16V K	1	
	C568	CK73HXR1A224K	C CAPACITOR	0.22uF 10V K	1	
	C569	CK73HXR1A224K	C CAPACITOR	0.22uF 10V K	1	

MODEL	MARK	MODEL	MARK	MODEL	MARK	MODEL	MARK
KDC-BT572U	K1	KDC-X502	K0	KDC-X5200BT	E1	KDC-X5200BTM	M1
KMR-D772BT	K2						

Safe	Symbol No.	Parts No.	Parts Name	Description	QTY	Local
	C570	CC73HCH1H150J	C CAPACITOR	15pF 50V J	1	
	C601	CK73GXR0J106K	C CAPACITOR	10uF 6.3V K	1	
	C602	CK73GXR0J106K	C CAPACITOR	10uF 6.3V K	1	
	C603	CK73GXR0J475K	C CAPACITOR	4.7uF 6.3V K	1	
	C604	CK73HXR1H152K	C CAPACITOR	1500pF 50V K	1	
	C605	CK73HXR1H102K	C CAPACITOR	1000pF 50V K	1	
	C606	CC73HCH1H090D	C CAPACITOR	9pF 50V D	1	
	C607	CC73HCH1H010C	C CAPACITOR	1pF 50V C	1	
	C608	CK73HXR1H102K	C CAPACITOR	1000pF 50V K	1	
	C609	CK73HXR1A104K	C CAPACITOR	0.1uF 10V K	1	
	C610	CC73HCH1H120J	C CAPACITOR	12pF 50V J	1	
	C611	CC73HCH1H010C	C CAPACITOR	1pF 50V C	1	
	C612	CK73HXR1H103K	C CAPACITOR	0.01uF 50V K	1	
	C614	CC73HCH1H220J	C CAPACITOR	22pF 50V J	1	
	C615	CC73HCH1H330J	C CAPACITOR	33pF 50V J	1	
	C616	CK73HXR1H102K	C CAPACITOR	1000pF 50V K	1	
	C617	CK73HXR1A224K	C CAPACITOR	0.22uF 10V K	1	
	C618	CK73HXR1A104K	C CAPACITOR	0.1uF 10V K	1	
	C619	CK73HXR1A104K	C CAPACITOR	0.1uF 10V K	1	
	C620	CK73GXR1A105K	C CAPACITOR	1uF 10V K	1	
	C621	CK73GXR1A105K	C CAPACITOR	1uF 10V K	1	
	C680	CK73GXR0J225K	C CAPACITOR	2.2uF 6.3V K	1	
	C702	CK73GXR0J106K	C CAPACITOR	10uF 6.3V K	1	
	C703	CK73HXR1H103K	C CAPACITOR	0.01uF 50V K	1	
	C704	CC73HCH1H150J	C CAPACITOR	15pF 50V J	1	
	C705	CC73HCH1H150J	C CAPACITOR	15pF 50V J	1	
	C706	CK73GXR0J106K	C CAPACITOR	10uF 6.3V K	1	
	C707	CK73HXR1H103K	C CAPACITOR	0.01uF 50V K	1	
	C708	CC73HCH1H101J	C CAPACITOR	100pF 50V J	1	
	C709	CC73HCH1H100D	C CAPACITOR	10pF 50V D	1	
	C710	CK73HXR1H222K	C CAPACITOR	2200pF 50V K	1	
	C711	CC73HCH1H100D	C CAPACITOR	10pF 50V D	1	
	C713	CK73HXR1A105K	C CAPACITOR	1uF 10V K	1	
	C714	CK73HXR1H103K	C CAPACITOR	0.01uF 50V K	1	
	C715	CC73HCH1H101J	C CAPACITOR	100pF 50V J	1	
	C717	CK73HXR1A105K	C CAPACITOR	1uF 10V K	1	
	C718	CC73HCH1H470J	C CAPACITOR	47pF 50V J	1	
	C719	CK73HXR1A105K	C CAPACITOR	1uF 10V K	1	
	C720	CK73HXR1A104K	C CAPACITOR	0.1uF 10V K	1	
	C721	CC73HCH1H101J	C CAPACITOR	100pF 50V J	1	
	C722	CK73GXR0J106K	C CAPACITOR	10uF 6.3V K	1	
	C723	CK73HXR1A105K	C CAPACITOR	1uF 10V K	1	
	C724	CK73HXR1H103K	C CAPACITOR	0.01uF 50V K	1	
	C725	CK73GXR0J106K	C CAPACITOR	10uF 6.3V K	1	
	C726	CK73HXR1H103K	C CAPACITOR	0.01uF 50V K	1	
	C727	CK73GXR0J106K	C CAPACITOR	10uF 6.3V K	1	
	C728	CC73HCH1H101J	C CAPACITOR	100pF 50V J	1	
	C729	CK73GXR0J475K	C CAPACITOR	4.7uF 6.3V K	1	
	C730	CC73HCH1H101J	C CAPACITOR	100pF 50V J	1	
	C731	CK73GXR0J475K	C CAPACITOR	4.7uF 6.3V K	1	
	C732	CK73HXR1E153K	C CAPACITOR	0.015uF 25V K	1	
	C733	CK73GXR0J475K	C CAPACITOR	4.7uF 6.3V K	1	
	C735	CK73HXR1H472K	C CAPACITOR	4700pF 50V K	1	
	C736	CC73HCH1H070D	C CAPACITOR	7pF 50V D	1	
	C737	CC73HCH1H080D	C CAPACITOR	8pF 50V D	1	
	C738	CK73HXR1H472K	C CAPACITOR	4700pF 50V K	1	
	C740	CC73HCH1H101J	C CAPACITOR	100pF 50V J	1	
	C741	CC73HCH1H100D	C CAPACITOR	10pF 50V D	1	
	C742	CC73HCH1H101J	C CAPACITOR	100pF 50V J	1	
	C743	CK73HXR1C104K	C CAPACITOR	0.1uF 16V K	1	
	C744	CK73HXR1A105K	C CAPACITOR	1uF 10V K	1	
	C745	CK73HXR1H471K	C CAPACITOR	470pF 50V K	1	
	C750	CK73GXR0J475K	C CAPACITOR	4.7uF 6.3V K	1	
	C756	CK73HXR1A105K	C CAPACITOR	1uF 10V K	1	
	C820	CK73HXR1H472K	C CAPACITOR	4700pF 50V K	1	
	C821	CK73HXR1H471K	C CAPACITOR	470pF 50V K	1	
	C822	CK73HXR1H472K	C CAPACITOR	4700pF 50V K	1	K2
	C824	CC73HCH1H101J	C CAPACITOR	100pF 50V J	1	
	C830	CK73HXR1H471K	C CAPACITOR	470pF 50V K	1	
	C831	CK73HXR1A105K	C CAPACITOR	1uF 10V K	1	
	C832	CK73HXR1A104K	C CAPACITOR	0.1uF 10V K	1	
	C880	CK73GXR0J475K	C CAPACITOR	4.7uF 6.3V K	1	
	C890	CK73HXR1A105K	C CAPACITOR	1uF 10V K	1	
	C891	CK73GXR0J106K	C CAPACITOR	10uF 6.3V K	1	
	C892	CK73HXR1A105K	C CAPACITOR	1uF 10V K	1	
	C895	CK73HXR1A105K	C CAPACITOR	1uF 10V K	1	K0
	C896	CK73GXR0J106K	C CAPACITOR	10uF 6.3V K	1	K0
	C897	CK73HXR1H471K	C CAPACITOR	470pF 50V K	1	K0
	C898	CC73HCH1H270J	C CAPACITOR	27pF 50V J	1	K0
	C899	CC73HCH1H270J	C CAPACITOR	27pF 50V J	1	K0
	C903	CE32BZ1C220M	E CAPACITOR	22uF 16V M	1	
	C904	CK73HXR1A105K	C CAPACITOR	1uF 10V K	1	
	C906	CK73HXR1A105K	C CAPACITOR	1uF 10V K	1	
	C907	CE32BZ0J101M	E CAPACITOR	100uF 6.3V M	1	
	C908	CK73HXR1C105K	C CAPACITOR	1uF 16V K	1	
	C909	CK73HXR1A104K	C CAPACITOR	0.1uF 10V K	1	
	C910	CK73HXR1A105K	C CAPACITOR	1uF 10V K	1	
	C911	CK73HXR1E104K	C CAPACITOR	0.1uF 25V K	1	
	C912	CK73HXR1A105K	C CAPACITOR	1uF 10V K	1	
	C914	CK73HXR1C105K	C CAPACITOR	1uF 16V K	1	
	C916	CK73HXR1H103K	C CAPACITOR	0.01uF 50V K	1	
	C917	CK73HXR1C224K	C CAPACITOR	0.22uF 16V K	1	

MODEL	MARK	MODEL	MARK	MODEL	MARK	MODEL	MARK
KDC-BT572U	K1	KDC-X502	K0	KDC-X5200BT	E1	KDC-X5200BTM	M1
KMR-D772BT	K2						

Safe	Symbol No.	Parts No.	Parts Name	Description	QTY	Local
	C919	CE32BZ1C221M	E CAPACITOR	220uF 16V M	1	
	C942	CK73HXR1H102K	C CAPACITOR	1000pF 50V K	1	
	C990	CD040CZ1C222M	E CAPACITOR	2200uF 16V M	1	
	C1020	CK73HXR1A104K	C CAPACITOR	0.1uF 10V K	1	
	C1301	CK73HXR1C105K	C CAPACITOR	1uF 16V K	1	
	C1305	CK73GXR0J106K	C CAPACITOR	10uF 6.3V K	1	
	C1306	CK73HXR1A104K	C CAPACITOR	0.1uF 10V K	1	
	C1600	CK73HXR1E153K	C CAPACITOR	0.015uF 25V K	1	
	C1602	CK73HXR1A104K	C CAPACITOR	0.1uF 10V K	1	
	C1603	CK73HXR1A104K	C CAPACITOR	0.1uF 10V K	1	
	C1902	CK73HXR1A104K	C CAPACITOR	0.1uF 10V K	1	
	C1903	CK73HXR1A104K	C CAPACITOR	0.1uF 10V K	1	
	C1904	CK73HXR1A104K	C CAPACITOR	0.1uF 10V K	1	
	C1905	CK73HXR1A105K	C CAPACITOR	1uF 10V K	1	
	C1906	CK73HXR1A104K	C CAPACITOR	0.1uF 10V K	1	
	C1907	CK73HXR1A104K	C CAPACITOR	0.1uF 10V K	1	
	C1908	CK73HXR1A104K	C CAPACITOR	0.1uF 10V K	1	
	C1909	CK73HXR1H472K	C CAPACITOR	4700pF 50V K	1	
	C2000	CC73HCH1H101J	C CAPACITOR	100pF 50V J	1	
	C2001	CK73HXR1H103K	C CAPACITOR	0.01uF 50V K	1	
	C2002	CK73HXR1A105K	C CAPACITOR	1uF 10V K	1	
	C2003	CK73HXR1A105K	C CAPACITOR	1uF 10V K	1	
	C2007	CK73HXR1A105K	C CAPACITOR	1uF 10V K	1	
	C2023	CK73HXR1A105K	C CAPACITOR	1uF 10V K	1	
	C2026	CK73GXR0J106K	C CAPACITOR	10uF 6.3V K	1	
	C2029	CC73HCH1H050C	C CAPACITOR	5pF 50V C	1	
	C2030	CC73HCH1H050C	C CAPACITOR	5pF 50V C	1	
	C2035	CK73HXR1A105K	C CAPACITOR	1uF 10V K	1	
	C2037	CK73HXR1A105K	C CAPACITOR	1uF 10V K	1	
	C2038	CK73HXR1A105K	C CAPACITOR	1uF 10V K	1	
	C2039	CK73HXR1H472K	C CAPACITOR	4700pF 50V K	1	
	C2040	CC73HCH1H100D	C CAPACITOR	10pF 50V D	1	
	C2041	CC73HCH1H101J	C CAPACITOR	100pF 50V J	1	
	C2042	CC73HCH1H101J	C CAPACITOR	100pF 50V J	1	
	C2043	CK73HXR1A105K	C CAPACITOR	1uF 10V K	1	
	C2044	CC73HCH1H101J	C CAPACITOR	100pF 50V J	1	
	C2060	CK73HXR1H472K	C CAPACITOR	4700pF 50V K	1	
	C2066	CK73HXR1A105K	C CAPACITOR	1uF 10V K	1	
	C2067	CC73HCH1H101J	C CAPACITOR	100pF 50V J	1	
	C2080	CC73HCH1H050C	C CAPACITOR	5pF 50V C	1	
	C2084	CK73HXR1C104K	C CAPACITOR	0.1uF 16V K	1	
	C2117	CC73HCH1H101J	C CAPACITOR	100pF 50V J	1	
	C9001	CK73HXR1H471K	C CAPACITOR	470pF 50V K	1	
	C9003	CK73HXR1H471K	C CAPACITOR	470pF 50V K	1	K1,K0,K2
	C9006	CK73HXR1H103K	C CAPACITOR	0.01uF 50V K	1	
	C9008	CK73HXR1H103K	C CAPACITOR	0.01uF 50V K	1	
	C9010	CK73HXR1H103K	C CAPACITOR	0.01uF 50V K	1	
	C9013	CK73HXR1H471K	C CAPACITOR	470pF 50V K	1	
	C9020	CK73HXR1A105K	C CAPACITOR	1uF 10V K	1	
	C9021	CC73HCH1H101J	C CAPACITOR	100pF 50V J	1	
	C9022	CK73HXR1H471K	C CAPACITOR	470pF 50V K	1	
	C9025	CK73HXR1H103K	C CAPACITOR	0.01uF 50V K	1	
	C9027	CK73HXR1H103K	C CAPACITOR	0.01uF 50V K	1	
	C9030	CK73HXR1H103K	C CAPACITOR	0.01uF 50V K	1	
	C9031	CK73HXR1H103K	C CAPACITOR	0.01uF 50V K	1	
	C9032	CK73HXR1H472K	C CAPACITOR	4700pF 50V K	1	
	C9034	CK73HXR1H103K	C CAPACITOR	0.01uF 50V K	1	
	C9036	CK73HXR1H471K	C CAPACITOR	470pF 50V K	1	
	C9037	CK73HXR1H472K	C CAPACITOR	4700pF 50V K	1	
	C9038	CK73HXR1H471K	C CAPACITOR	470pF 50V K	1	
	C9044	CK73HXR1H471K	C CAPACITOR	470pF 50V K	1	K0
	C9045	CK73HXR1H471K	C CAPACITOR	470pF 50V K	1	
	C9046	CK73HXR1H471K	C CAPACITOR	470pF 50V K	1	
	C9049	CK73HXR1H472K	C CAPACITOR	4700pF 50V K	1	
	C9050	CK73HXR1H471K	C CAPACITOR	470pF 50V K	1	
	C9052	CK73HXR1H471K	C CAPACITOR	470pF 50V K	1	
	C9054	CK73GBB1H471K	C CAPACITOR	470pF 50V K	1	
	C9059	CK73HXR1H471K	C CAPACITOR	470pF 50V K	1	
	C9061	CC73HCH1H101J	C CAPACITOR	100pF 50V J	1	
	C9064	CK73HXR1A105K	C CAPACITOR	1uF 10V K	1	
	C9068	CC73HCH1H101J	C CAPACITOR	100pF 50V J	1	
	C9080	CK73HXR1H471K	C CAPACITOR	470pF 50V K	1	
	C9081	CK73HXR1H472K	C CAPACITOR	4700pF 50V K	1	
	C9085	CK73HXR1H103K	C CAPACITOR	0.01uF 50V K	1	
	C9086	CK73HXR1H103K	C CAPACITOR	0.01uF 50V K	1	
	C9087	CK73HXR1H103K	C CAPACITOR	0.01uF 50V K	1	
	C9091	CK73HXR1H471K	C CAPACITOR	470pF 50V K	1	
	C9096	CK73HXR1H471K	C CAPACITOR	470pF 50V K	1	K2
	C9500	CK73HXR1H471K	C CAPACITOR	470pF 50V K	1	
	C9501	CK73HXR1C105K	C CAPACITOR	1uF 16V K	1	
	C9511	CK73HXR1C473K	C CAPACITOR	0.047uF 16V K	1	K0
	C9515	CK73HXR1H471K	C CAPACITOR	470pF 50V K	1	
	C9516	CK73HXR1C105K	C CAPACITOR	1uF 16V K	1	
	C9522	CK73HXR1H471K	C CAPACITOR	470pF 50V K	1	
	C9523	CK73HXR1H472K	C CAPACITOR	4700pF 50V K	1	K0
	R115	RK73HB1J101J	MG RESISTOR	100Ω 1/16W J	1	
	R116	RK73HB1J101J	MG RESISTOR	100Ω 1/16W J	1	
	R117	RK73HB1J4R7J	MG RESISTOR	4.7Ω 1/16W J	1	
	R118	RK73HB1J000J	MG RESISTOR	0Ω 1/16W J	1	
	R119	RK73HB1J000J	MG RESISTOR	0Ω 1/16W J	1	

MODEL	MARK	MODEL	MARK	MODEL	MARK	MODEL	MARK
KDC-BT572U	K1	KDC-X502	K0	KDC-X5200BT	E1	KDC-X5200BTM	M1
KMR-D772BT	K2						

Safe	Symbol No.	Parts No.	Parts Name	Description	QTY	Local
	R120	RK73HB1J000J	MG RESISTOR	0Ω 1/16W J	1	
	R145	RK73HB1J680J	MG RESISTOR	68Ω 1/16W J	1	
	R146	RK73HB1J680J	MG RESISTOR	68Ω 1/16W J	1	
	R147	RK73HB1J680J	MG RESISTOR	68Ω 1/16W J	1	
	R148	RK73HB1J680J	MG RESISTOR	68Ω 1/16W J	1	
	R149	RK73HB1J680J	MG RESISTOR	68Ω 1/16W J	1	
	R150	RK73HB1J680J	MG RESISTOR	68Ω 1/16W J	1	
	R160	RK73HB1J000J	MG RESISTOR	0Ω 1/16W J	1	E1,M1
	R161	RK73HB1J000J	MG RESISTOR	0Ω 1/16W J	1	K0,E1,M1,K2
	R162	RK73GB2A101J	MG RESISTOR	100Ω 1/10W J	1	
	R165	RK73HH1J152D	MG RESISTOR	1.5kΩ 1/16W D	1	
	R166	RK73HH1J822D	MG RESISTOR	8.2kΩ 1/16W D	1	
	R173	RK73GB2A101J	MG RESISTOR	100Ω 1/10W J	1	
	R175	RK73FB2B000J	MG RESISTOR	0Ω 1/8W J	1	K1,K0,K2
	R176	RK73GB2A000J	MG RESISTOR	0Ω 1/10W J	1	K0,K2
	R177	RK73HB1J562J	MG RESISTOR	5.6kΩ 1/16W J	1	K0,K2
	R178	RK73GB2A752J	MG RESISTOR	7.5kΩ 1/10W J	1	K0,K2
	R179	RK73HH1J102D	MG RESISTOR	1kΩ 1/16W D	1	K0,K2
	R180	RK73HH1J153D	MG RESISTOR	15kΩ 1/16W D	1	K0,K2
	R181	RK73HB1J103J	MG RESISTOR	10kΩ 1/16W J	1	K0,K2
	R182	RK73HH1J752D	MG RESISTOR	7.5kΩ 1/16W D	1	E1,M1
	R183	RK73HH1J132D	MG RESISTOR	1.3kΩ 1/16W D	1	E1,M1
	R188	RK73FB2B000J	MG RESISTOR	0Ω 1/8W J	1	K1,E1,M1
	R220	RK73HB1J101J	MG RESISTOR	100Ω 1/16W J	1	
	R221	RK73HB1J101J	MG RESISTOR	100Ω 1/16W J	1	
	R222	RK73HB1J000J	MG RESISTOR	0Ω 1/16W J	1	
	R223	RK73HB1J822J	MG RESISTOR	8.2kΩ 1/16W J	1	
	R224	RK73HB1J103J	MG RESISTOR	10kΩ 1/16W J	1	
	R225	RK73HB1J333J	MG RESISTOR	33kΩ 1/16W J	1	
	R226	RK73HB1J122J	MG RESISTOR	1.2kΩ 1/16W J	1	
	R227	RK73HB1J124J	MG RESISTOR	120kΩ 1/16W J	1	
	R229	RK73HB1J122J	MG RESISTOR	1.2kΩ 1/16W J	1	
	R230	RK73HB1J124J	MG RESISTOR	120kΩ 1/16W J	1	
	R231	RK73HB1J103J	MG RESISTOR	10kΩ 1/16W J	1	
	R232	RK73HB1J103J	MG RESISTOR	10kΩ 1/16W J	1	
	R233	RK73HB1J681J	MG RESISTOR	680Ω 1/16W J	1	
	R234	RK73GB2A222J	MG RESISTOR	2.2kΩ 1/10W J	1	
	R237	RK73HB1J471J	MG RESISTOR	470Ω 1/16W J	1	
	R238	RK73HB1J103J	MG RESISTOR	10kΩ 1/16W J	1	
	R250	RK73HB1J181J	MG RESISTOR	180Ω 1/16W J	1	
	R251	RK73HB1J223J	MG RESISTOR	22kΩ 1/16W J	1	
	R252	RK73HB1J331J	MG RESISTOR	330Ω 1/16W J	1	
	R253	RK73GB2A000J	MG RESISTOR	0Ω 1/10W J	1	
	R254	RK73HB1J472J	MG RESISTOR	4.7kΩ 1/16W J	1	
	R270	RK73GB2A104J	MG RESISTOR	100kΩ 1/10W J	1	
	R271	RK73HB1J331J	MG RESISTOR	330Ω 1/16W J	1	
	R272	RK73HB1J303J	MG RESISTOR	30kΩ 1/16W J	1	
	R273	RK73GB2A223J	MG RESISTOR	22kΩ 1/10W J	1	
	R302	RK73GB2A432J	MG RESISTOR	4.3kΩ 1/10W J	1	
	R303	RK73EB2E160J	MG RESISTOR	16Ω 1/4W J	1	
	R304	RK73HB1J473J	MG RESISTOR	47kΩ 1/16W J	1	
	R305	RK73EB2E1R0J	MG RESISTOR	1Ω 1/4W J	1	
	R316	RK73HB1J680J	MG RESISTOR	68Ω 1/16W J	1	
	R317	RK73HB1J680J	MG RESISTOR	68Ω 1/16W J	1	
	R318	RK73HB1J680J	MG RESISTOR	68Ω 1/16W J	1	
	R319	RK73HB1J680J	MG RESISTOR	68Ω 1/16W J	1	
	R320	RK73HB1J181J	MG RESISTOR	180Ω 1/16W J	1	
	R321	RK73HB1J223J	MG RESISTOR	22kΩ 1/16W J	1	
	R322	RK73HB1J472J	MG RESISTOR	4.7kΩ 1/16W J	1	
	R323	RK73HB1J331J	MG RESISTOR	330Ω 1/16W J	1	
	R330	RK73HB1J181J	MG RESISTOR	180Ω 1/16W J	1	
	R331	RK73HB1J223J	MG RESISTOR	22kΩ 1/16W J	1	
	R332	RK73HB1J472J	MG RESISTOR	4.7kΩ 1/16W J	1	
	R333	RK73HB1J331J	MG RESISTOR	330Ω 1/16W J	1	
	R340	RK73HB1J181J	MG RESISTOR	180Ω 1/16W J	1	
	R341	RK73HB1J223J	MG RESISTOR	22kΩ 1/16W J	1	
	R342	RK73HB1J472J	MG RESISTOR	4.7kΩ 1/16W J	1	
	R343	RK73HB1J331J	MG RESISTOR	330Ω 1/16W J	1	
	R350	RK73HB1J181J	MG RESISTOR	180Ω 1/16W J	1	
	R351	RK73HB1J223J	MG RESISTOR	22kΩ 1/16W J	1	
	R352	RK73HB1J472J	MG RESISTOR	4.7kΩ 1/16W J	1	
	R353	RK73HB1J331J	MG RESISTOR	330Ω 1/16W J	1	
	R370	RK73GB2A683J	MG RESISTOR	68kΩ 1/10W J	1	
	R371	RK73GB2A123J	MG RESISTOR	12kΩ 1/10W J	1	
	R372	RK73HB1J103J	MG RESISTOR	10kΩ 1/16W J	1	
	R390	RK73FB2B472J	MG RESISTOR	4.7kΩ 1/8W J	1	
	R400	RK73HB1J102J	MG RESISTOR	1kΩ 1/16W J	1	
	R410	RK73HB1J101J	MG RESISTOR	100Ω 1/16W J	1	
	R411	RK73HB1J101J	MG RESISTOR	100Ω 1/16W J	1	
	R412	RK73HB1J472J	MG RESISTOR	4.7kΩ 1/16W J	1	
	R413	RK73HB1J472J	MG RESISTOR	4.7kΩ 1/16W J	1	
	R414	RK73HB1J472J	MG RESISTOR	4.7kΩ 1/16W J	1	
	R471	RK73HB1J101J	MG RESISTOR	100Ω 1/16W J	1	K1,K0,K2
	R472	RK73HB1J101J	MG RESISTOR	100Ω 1/16W J	1	K1,K0,K2
	R473	RK73HB1J472J	MG RESISTOR	4.7kΩ 1/16W J	1	K1,K0,K2
	R474	RK73FB2B221J	MG RESISTOR	220Ω 1/8W J	1	K1,K0,K2
	R475	RK73GB2A100J	MG RESISTOR	10Ω 1/10W J	1	K1,K0,K2
	R476	RK73HB1J223J	MG RESISTOR	22kΩ 1/16W J	1	K1,K0,K2
	R477	RK73HB1J104J	MG RESISTOR	100kΩ 1/16W J	1	K1,K0,K2
	R480	RK73GB2A334J	MG RESISTOR	330kΩ 1/10W J	1	K2
	R481	RK73EB2E3R3J	MG RESISTOR	3.3Ω 1/4W J	1	K2
	R482	RK73EB2E3R3J	MG RESISTOR	3.3Ω 1/4W J	1	K2

MODEL	MARK	MODEL	MARK	MODEL	MARK	MODEL	MARK
KDC-BT572U	K1	KDC-X502	K0	KDC-X5200BT	E1	KDC-X5200BTM	M1
KMR-D772BT	K2						

Safe	Symbol No.	Parts No.	Parts Name	Description	QTY	Local
	R483	RK73HB1J104J	MG RESISTOR	100kΩ 1/16W J	1	K2
	R484	RK73HB1J473J	MG RESISTOR	47kΩ 1/16W J	1	K2
	R485	RK73GB2A153J	MG RESISTOR	15kΩ 1/10W J	1	K2
	R486	RK73GB2A473J	MG RESISTOR	47kΩ 1/10W J	1	K2
	R487	RK73HB1J223J	MG RESISTOR	22kΩ 1/16W J	1	K2
	R488	RK73GB2A104J	MG RESISTOR	100kΩ 1/10W J	1	K2
	R489	RK73GB2A333J	MG RESISTOR	33kΩ 1/10W J	1	K2
	R490	RK73HB1J183J	MG RESISTOR	18kΩ 1/16W J	1	K2
	R491	RK73EB2E101J	MG RESISTOR	100Ω 1/4W J	1	K2
	R492	RK73HB1J102J	MG RESISTOR	1kΩ 1/16W J	1	K2
	R493	RK73EB2E101J	MG RESISTOR	100Ω 1/4W J	1	K2
	R494	RK73HB1J332J	MG RESISTOR	3.3kΩ 1/16W J	1	K2
	R495	RK73EB2E100J	MG RESISTOR	10Ω 1/4W J	1	K2
	R496	RK73HB1J473J	MG RESISTOR	47kΩ 1/16W J	1	K2
	R498	RK73HB1J000J	MG RESISTOR	0Ω 1/16W J	1	K2
	R501	RK73HB1J102J	MG RESISTOR	1kΩ 1/16W J	1	K0
	R502	RK73HB1J512J	MG RESISTOR	5.1kΩ 1/16W J	1	K0
	R503	RK73HB1J200J	MG RESISTOR	20Ω 1/16W J	1	K0
	R504	RK73HB1J393J	MG RESISTOR	39kΩ 1/16W J	1	K0
	R505	RK73GB2A000J	MG RESISTOR	0Ω 1/10W J	1	K0
	R506	RK73HH1J683D	MG RESISTOR	68kΩ 1/16W D	1	K0
	R507	RK73HH1J393D	MG RESISTOR	39kΩ 1/16W D	1	K0
	R508	RK73HH1J183D	MG RESISTOR	18kΩ 1/16W D	1	K0
	R541	RK73HB1J512J	MG RESISTOR	5.1kΩ 1/16W J	1	
	R542	RK73HB1J102J	MG RESISTOR	1kΩ 1/16W J	1	
	R543	RK73HB1J200J	MG RESISTOR	20Ω 1/16W J	1	
	R544	RK73HB1J393J	MG RESISTOR	39kΩ 1/16W J	1	
	R545	RK73HH1J183D	MG RESISTOR	18kΩ 1/16W D	1	
	R546	RK73HH1J393D	MG RESISTOR	39kΩ 1/16W D	1	
	R548	RK73HH1J683D	MG RESISTOR	68kΩ 1/16W D	1	
	R549	RK73HB1J222J	MG RESISTOR	2.2kΩ 1/16W J	1	
	R563	RK73HB1J200J	MG RESISTOR	20Ω 1/16W J	1	
	R564	RK73HB1J513J	MG RESISTOR	51kΩ 1/16W J	1	
	R565	RK73HH1J163D	MG RESISTOR	16kΩ 1/16W D	1	
	R567	RK73HH1J513D	MG RESISTOR	51kΩ 1/16W D	1	
	R600	RK73GB2A102J	MG RESISTOR	1kΩ 1/10W J	1	
	R601	RK73HB1J101J	MG RESISTOR	100Ω 1/16W J	1	
	R602	RK73GB2A820J	MG RESISTOR	82Ω 1/10W J	1	
	R603	RK73HB1J105J	MG RESISTOR	1MΩ 1/16W J	1	
	R604	RK73HB1J105J	MG RESISTOR	1MΩ 1/16W J	1	
	R605	RK73HB1J4R7J	MG RESISTOR	4.7Ω 1/16W J	1	
	R611	RK73HB1J101J	MG RESISTOR	100Ω 1/16W J	1	
	R682	RK73HB1J101J	MG RESISTOR	100Ω 1/16W J	1	
	R683	RK73HB1J000J	MG RESISTOR	0Ω 1/16W J	1	
	R684	RK73HB1J392J	MG RESISTOR	3.9kΩ 1/16W J	1	
	R685	RK73HB1J392J	MG RESISTOR	3.9kΩ 1/16W J	1	
	R690	RK73GB2A000J	MG RESISTOR	0Ω 1/10W J	1	
	R691	RK73GB2A000J	MG RESISTOR	0Ω 1/10W J	1	
	R702	RK73HB1J472J	MG RESISTOR	4.7kΩ 1/16W J	1	K1,K0,E1,M1
	R702	RK73HB1J222J	MG RESISTOR	2.2kΩ 1/16W J	1	K2
	R703	RK73HB1J101J	MG RESISTOR	100Ω 1/16W J	1	
	R704	RK73GB2A472J	MG RESISTOR	4.7kΩ 1/10W J	1	K1,K0,E1,M1
	R704	RK73GB2A222J	MG RESISTOR	2.2kΩ 1/10W J	1	K2
	R705	RK73HB1J101J	MG RESISTOR	100Ω 1/16W J	1	
	R706	RK73HB1J332J	MG RESISTOR	3.3kΩ 1/16W J	1	
	R707	RK73HB1J101J	MG RESISTOR	100Ω 1/16W J	1	
	R709	RK73HB1J472J	MG RESISTOR	4.7kΩ 1/16W J	1	
	R710	RK73HB1J473J	MG RESISTOR	47kΩ 1/16W J	1	
	R711	RK73HB1J473J	MG RESISTOR	47kΩ 1/16W J	1	
	R712	RK73HB1J473J	MG RESISTOR	47kΩ 1/16W J	1	
	R713	RK73HB1J101J	MG RESISTOR	100Ω 1/16W J	1	
	R714	RK73HB1J274J	MG RESISTOR	270kΩ 1/16W J	1	
	R715	RK73HB1J101J	MG RESISTOR	100Ω 1/16W J	1	
	R718	RK73HB1J472J	MG RESISTOR	4.7kΩ 1/16W J	1	
	R721	RK73HB1J101J	MG RESISTOR	100Ω 1/16W J	1	
	R722	RK73HB1J101J	MG RESISTOR	100Ω 1/16W J	1	
	R723	RK73HB1J101J	MG RESISTOR	100Ω 1/16W J	1	
	R725	RK73HB1J101J	MG RESISTOR	100Ω 1/16W J	1	
	R726	RK73HB1J103J	MG RESISTOR	10kΩ 1/16W J	1	
	R728	RK73HB1J000J	MG RESISTOR	0Ω 1/16W J	1	
	R730	RK73HB1J222J	MG RESISTOR	2.2kΩ 1/16W J	1	
	R731	RK73HB1J101J	MG RESISTOR	100Ω 1/16W J	1	
	R733	RK73HB1J103J	MG RESISTOR	10kΩ 1/16W J	1	
	R734	RK73HB1J101J	MG RESISTOR	100Ω 1/16W J	1	
	R735	RK73HB1J273J	MG RESISTOR	27kΩ 1/16W J	1	
	R737	RK73HB1J101J	MG RESISTOR	100Ω 1/16W J	1	
	R739	RK73HB1J102J	MG RESISTOR	1kΩ 1/16W J	1	
	R740	RK73HB1J472J	MG RESISTOR	4.7kΩ 1/16W J	1	
	R741	RK73HB1J000J	MG RESISTOR	0Ω 1/16W J	1	
	R742	RK73HB1J101J	MG RESISTOR	100Ω 1/16W J	1	
	R743	RK73HB1J222J	MG RESISTOR	2.2kΩ 1/16W J	1	
	R744	RK73HB1J101J	MG RESISTOR	100Ω 1/16W J	1	
	R746	RK73HB1J000J	MG RESISTOR	0Ω 1/16W J	1	
	R748	RK73HB1J101J	MG RESISTOR	100Ω 1/16W J	1	
	R750	RK73HB1J101J	MG RESISTOR	100Ω 1/16W J	1	
	R752	RK73HB1J101J	MG RESISTOR	100Ω 1/16W J	1	
	R753	RK73HB1J273J	MG RESISTOR	27kΩ 1/16W J	1	
	R755	RK73HB1J103J	MG RESISTOR	10kΩ 1/16W J	1	
	R756	RK73HB1J101J	MG RESISTOR	100Ω 1/16W J	1	
	R760	RK73HB1J000J	MG RESISTOR	0Ω 1/16W J	1	

MODEL	MARK	MODEL	MARK	MODEL	MARK	MODEL	MARK
KDC-BT572U	K1	KDC-X502	K0	KDC-X5200BT	E1	KDC-X5200BTM	M1
KMR-D772BT	K2						

Safe	Symbol No.	Parts No.	Parts Name	Description	QTY	Local
	R761	RK73HB1J000J	MG RESISTOR	0Ω 1/16W J	1	
	R762	RK73HB1J330J	MG RESISTOR	33Ω 1/16W J	1	
	R768	RK73HB1J393J	MG RESISTOR	39kΩ 1/16W J	1	E1,M1
	R769	RK73HB1J473J	MG RESISTOR	47kΩ 1/16W J	1	K1,K0,K2
	R769	RK73HB1J822J	MG RESISTOR	8.2kΩ 1/16W J	1	E1,M1
	R770	RK73HB1J393J	MG RESISTOR	39kΩ 1/16W J	1	K0,M1
	R770	RK73HB1J333J	MG RESISTOR	33kΩ 1/16W J	1	K2
	R771	RK73HB1J473J	MG RESISTOR	47kΩ 1/16W J	1	K1,E1
	R771	RK73HB1J822J	MG RESISTOR	8.2kΩ 1/16W J	1	K0,M1
	R771	RK73HB1J153J	MG RESISTOR	15kΩ 1/16W J	1	K2
	R772	RK73HB1J101J	MG RESISTOR	100Ω 1/16W J	1	
	R777	RK73HB1J101J	MG RESISTOR	100Ω 1/16W J	1	
	R778	RK73HB1J101J	MG RESISTOR	100Ω 1/16W J	1	
	R780	RK73HB1J100J	MG RESISTOR	10Ω 1/16W J	1	K0
	R782	RK73HB1J330J	MG RESISTOR	33Ω 1/16W J	1	
	R785	RK73HB1J330J	MG RESISTOR	33Ω 1/16W J	1	
	R787	RK73HB1J100J	MG RESISTOR	10Ω 1/16W J	1	K0
	R788	RK73HH1J823D	MG RESISTOR	82kΩ 1/16W D	1	
	R789	RK73HH1J393D	MG RESISTOR	39kΩ 1/16W D	1	
	R790	RK73HB1J100J	MG RESISTOR	10Ω 1/16W J	1	
	R792	RK73HB1J100J	MG RESISTOR	10Ω 1/16W J	1	
	R794	RK73HB1J101J	MG RESISTOR	100Ω 1/16W J	1	
	R795	RK73HB1J101J	MG RESISTOR	100Ω 1/16W J	1	
	R796	RK73HH1J302D	MG RESISTOR	3kΩ 1/16W D	1	
	R797	RK73HB1J222J	MG RESISTOR	2.2kΩ 1/16W J	1	
	R798	RK73HB1J222J	MG RESISTOR	2.2kΩ 1/16W J	1	
	R799	RK73HB1J105J	MG RESISTOR	1MΩ 1/16W J	1	
	R800	RK73HB1J000J	MG RESISTOR	0Ω 1/16W J	1	
	R801	RK73HB1J102J	MG RESISTOR	1kΩ 1/16W J	1	
	R802	RK73HB1J473J	MG RESISTOR	47kΩ 1/16W J	1	E1,K2
	R803	RK73HB1J225J	MG RESISTOR	2.2MΩ 1/16W J	1	K1,K0,M1
	R804	RK73HB1J473J	MG RESISTOR	47kΩ 1/16W J	1	
	R805	RK73HB1J102J	MG RESISTOR	1kΩ 1/16W J	1	
	R806	RK73HB1J102J	MG RESISTOR	1kΩ 1/16W J	1	
	R808	RK73HB1J680J	MG RESISTOR	68Ω 1/16W J	1	
	R809	RK73HB1J102J	MG RESISTOR	1kΩ 1/16W J	1	
	R811	RK73HB1J101J	MG RESISTOR	100Ω 1/16W J	1	
	R813	RK73HB1J000J	MG RESISTOR	0Ω 1/16W J	1	
	R814	RK73HB1J220J	MG RESISTOR	22Ω 1/16W J	1	
	R815	RK73HB1J220J	MG RESISTOR	22Ω 1/16W J	1	
	R817	RK73HB1J222J	MG RESISTOR	2.2kΩ 1/16W J	1	K0
	R819	RK73HB1J220J	MG RESISTOR	22Ω 1/16W J	1	
	R820	RK73HB1J473J	MG RESISTOR	47kΩ 1/16W J	1	
	R823	RK73HB1J470J	MG RESISTOR	47Ω 1/16W J	1	
	R824	RK73HB1J473J	MG RESISTOR	47kΩ 1/16W J	1	
	R827	RK73HB1J103J	MG RESISTOR	10kΩ 1/16W J	1	
	R828	RK73HB1J103J	MG RESISTOR	10kΩ 1/16W J	1	
	R829	RK73HB1J220J	MG RESISTOR	22Ω 1/16W J	1	
	R830	RK73HB1J101J	MG RESISTOR	100Ω 1/16W J	1	
	R831	RK73HB1J222J	MG RESISTOR	2.2kΩ 1/16W J	1	
	R832	RK73EB2E000J	MG RESISTOR	0Ω 1/4W J	1	
	R833	RK73HB1J220J	MG RESISTOR	22Ω 1/16W J	1	
	R834	RK73HB1J220J	MG RESISTOR	22Ω 1/16W J	1	
	R835	RK73HB1J220J	MG RESISTOR	22Ω 1/16W J	1	
	R836	RK73HB1J330J	MG RESISTOR	33Ω 1/16W J	1	
	R860	RK73HB1J222J	MG RESISTOR	2.2kΩ 1/16W J	1	
	R861	RK73HB1J562J	MG RESISTOR	5.6kΩ 1/16W J	1	
	R870	RK73HB1J562J	MG RESISTOR	5.6kΩ 1/16W J	1	
	R881	RK73HH1J243D	MG RESISTOR	24kΩ 1/16W D	1	
	R882	RK73HH1J123D	MG RESISTOR	12kΩ 1/16W D	1	
	R883	RK73GB2A103J	MG RESISTOR	10kΩ 1/10W J	1	K0
	R889	RK73HB1J332J	MG RESISTOR	3.3kΩ 1/16W J	1	
	R891	RK73HH1J123D	MG RESISTOR	12kΩ 1/16W D	1	
	R893	RK73HB1J222J	MG RESISTOR	2.2kΩ 1/16W J	1	
	R895	RK73HH1J123D	MG RESISTOR	12kΩ 1/16W D	1	K0
	R897	RK73HB1J222J	MG RESISTOR	2.2kΩ 1/16W J	1	K0
	R905	RK73HB1J101J	MG RESISTOR	100Ω 1/16W J	1	
	R940	RK73HB1J102J	MG RESISTOR	1kΩ 1/16W J	1	
	R943	RK73HB1J102J	MG RESISTOR	1kΩ 1/16W J	1	
	R965	RK73GB2A000J	MG RESISTOR	0Ω 1/10W J	1	
	R980	RK73EB2E682J	MG RESISTOR	6.8kΩ 1/4W J	1	
	R981	RK73EB2E682J	MG RESISTOR	6.8kΩ 1/4W J	1	
	R982	RK73EB2E473J	MG RESISTOR	47kΩ 1/4W J	1	
	R984	RK73EB2E473J	MG RESISTOR	47kΩ 1/4W J	1	
	R1070	RK73HB1J102J	MG RESISTOR	1kΩ 1/16W J	1	
	R1246	RK73EB2E000J	MG RESISTOR	0Ω 1/4W J	1	K2
	R1249	RK73GB2A000J	MG RESISTOR	0Ω 1/10W J	1	K2
	R1250	RK73GB2A000J	MG RESISTOR	0Ω 1/10W J	1	K2
	R1300	RK73HB1J562J	MG RESISTOR	5.6kΩ 1/16W J	1	
	R1302	RK73HB1J220J	MG RESISTOR	22Ω 1/16W J	1	K1,K0,E1,M1
	R1303	RK73HB1J220J	MG RESISTOR	22Ω 1/16W J	1	K1,K0,E1,M1
	R1900	RK73HB1J330J	MG RESISTOR	33Ω 1/16W J	1	
	R1901	RK73HB1J330J	MG RESISTOR	33Ω 1/16W J	1	
	R1902	RK73HB1J330J	MG RESISTOR	33Ω 1/16W J	1	
	R1903	RK73HB1J330J	MG RESISTOR	33Ω 1/16W J	1	
	R1904	RK73HB1J330J	MG RESISTOR	33Ω 1/16W J	1	
	R1905	RK73HB1J330J	MG RESISTOR	33Ω 1/16W J	1	
	R1906	RK73HB1J330J	MG RESISTOR	33Ω 1/16W J	1	
	R1907	RK73HB1J330J	MG RESISTOR	33Ω 1/16W J	1	
	R1908	RK73HB1J330J	MG RESISTOR	33Ω 1/16W J	1	
	R1909	RK73HB1J330J	MG RESISTOR	33Ω 1/16W J	1	
	R1910	RK73HB1J330J	MG RESISTOR	33Ω 1/16W J	1	

MODEL	MARK	MODEL	MARK	MODEL	MARK	MODEL	MARK
KDC-BT572U	K1	KDC-X502	K0	KDC-X5200BT	E1	KDC-X5200BTM	M1
KMR-D772BT	K2						

Safe	Symbol No.	Parts No.	Parts Name	Description	QTY	Local
	R1911	RK73HB1J330J	MG RESISTOR	33Ω 1/16W J	1	
	R1912	RK73HB1J330J	MG RESISTOR	33Ω 1/16W J	1	
	R1913	RK73HB1J330J	MG RESISTOR	33Ω 1/16W J	1	
	R1914	RK73HB1J330J	MG RESISTOR	33Ω 1/16W J	1	
	R1915	RK73HB1J330J	MG RESISTOR	33Ω 1/16W J	1	
	R1920	RK73HB1J000J	MG RESISTOR	0Ω 1/16W J	1	
	R1921	RK73HB1J820J	MG RESISTOR	82Ω 1/16W J	1	
	R1932	RK73GH2A470D	MG RESISTOR	47Ω 1/10W D	1	
	R2000	RK73HB1J000J	MG RESISTOR	0Ω 1/16W J	1	
	R2001	RK73HB1J000J	MG RESISTOR	0Ω 1/16W J	1	
	R2002	RK73HB1J101J	MG RESISTOR	100Ω 1/16W J	1	
	R2003	RK73HB1J220J	MG RESISTOR	22Ω 1/16W J	1	
	R2004	RK73HB1J220J	MG RESISTOR	22Ω 1/16W J	1	
	R2005	RK73EB2E2R2J	MG RESISTOR	2.2Ω 1/4W J	1	
	R2006	RK73HB1J101J	MG RESISTOR	100Ω 1/16W J	1	
	R2007	RK73HB1J000J	MG RESISTOR	0Ω 1/16W J	1	K1,K0,K2
	R2008	RK73HB1J101J	MG RESISTOR	100Ω 1/16W J	1	
	R2009	RK73HB1J101J	MG RESISTOR	100Ω 1/16W J	1	
	R2010	RK73HB1J101J	MG RESISTOR	100Ω 1/16W J	1	
	R2011	RK73HB1J101J	MG RESISTOR	100Ω 1/16W J	1	
	R2012	RK73HB1J220J	MG RESISTOR	22Ω 1/16W J	1	
	R2013	RK73HB1J101J	MG RESISTOR	100Ω 1/16W J	1	
	R2014	RK73HB1J103J	MG RESISTOR	10kΩ 1/16W J	1	
	R2016	RK73HB1J101J	MG RESISTOR	100Ω 1/16W J	1	
	R2017	RK73HB1J101J	MG RESISTOR	100Ω 1/16W J	1	
	R2018	RK73HB1J101J	MG RESISTOR	100Ω 1/16W J	1	
	R2019	RK73HB1J220J	MG RESISTOR	22Ω 1/16W J	1	
	R2020	RK73HB1J000J	MG RESISTOR	0Ω 1/16W J	1	E1,M1
	R2021	RK73HB1J220J	MG RESISTOR	22Ω 1/16W J	1	
	R2023	RK73HB1J220J	MG RESISTOR	22Ω 1/16W J	1	
	R2024	RK73HH1J100D	MG RESISTOR	10Ω 1/16W D	1	
	R2025	RK73HB1J000J	MG RESISTOR	0Ω 1/16W J	1	
	R2026	RK73HB1J000J	MG RESISTOR	0Ω 1/16W J	1	
	R2029	RK73HB1J101J	MG RESISTOR	100Ω 1/16W J	1	
	R2030	RK73HB1J000J	MG RESISTOR	0Ω 1/16W J	1	E1,M1
	R2033	RK73HB1J222J	MG RESISTOR	2.2kΩ 1/16W J	1	
	R2034	RK73HB1J222J	MG RESISTOR	2.2kΩ 1/16W J	1	
	R9001	RK73GB2A000J	MG RESISTOR	0Ω 1/10W J	1	
	R9003	RK73HB1J000J	MG RESISTOR	0Ω 1/16W J	1	
	R9004	RK73HB1J000J	MG RESISTOR	0Ω 1/16W J	1	
	R9005	RK73HB1J000J	MG RESISTOR	0Ω 1/16W J	1	
	R9009	RK73GB2A000J	MG RESISTOR	0Ω 1/10W J	1	
	R9012	RK73HB1J471J	MG RESISTOR	470Ω 1/16W J	1	
	R9013	RK73HB1J000J	MG RESISTOR	0Ω 1/16W J	1	
	R9019	RK73HB1J101J	MG RESISTOR	100Ω 1/16W J	1	
	R9021	RK73HB1J101J	MG RESISTOR	100Ω 1/16W J	1	K0
	R9026	RK73HB1J273J	MG RESISTOR	27kΩ 1/16W J	1	
	R9028	RK73HB1J272J	MG RESISTOR	2.7kΩ 1/16W J	1	K0
	R9029	RK73HB1J272J	MG RESISTOR	2.7kΩ 1/16W J	1	
	R9030	RK73HB1J101J	MG RESISTOR	100Ω 1/16W J	1	
	R9031	RK73HB1J101J	MG RESISTOR	100Ω 1/16W J	1	
	R9032	RK73GB2A000J	MG RESISTOR	0Ω 1/10W J	1	
	RA470	RK74GB1J100J	NET RESISTOR	10Ω 1/16W J	1	K1,K0,K2
	L165	LR73Z0AD100M	CHIP INDUCTOR	10uH	1	K0,K2
	L411	LR73Z0AD4R7M	CHIP INDUCTOR	4.7uH	1	
	L500	LR79Z0JM100M	CHIP INDUCTOR		1	K0
	L501	LK73Z0CA4R7M	M.CHIP INDUCTOR		1	K0
	L540	LK73Z0CA4R7M	M.CHIP INDUCTOR		1	
	L541	LR79Z0JM100M	CHIP INDUCTOR		1	
	L560	LK73Z0CA4R7M	M.CHIP INDUCTOR		1	
	L561	LR79Z0JM100M	CHIP INDUCTOR		1	
	L600	LR73Z0AD100M	CHIP INDUCTOR	10uH	1	
	L601	LK73G0BE4R7K	M.CHIP INDUCTOR		1	
	L602	LK73H0BUR47K	M.CHIP INDUCTOR		1	
	L603	LK73H0BUR10K	M.CHIP INDUCTOR		1	
	L604	LK73H0BU1R0K	M.CHIP INDUCTOR		1	
	L605	LK73H0BUR22K	M.CHIP INDUCTOR		1	
	L606	LK73H0BUR12K	M.CHIP INDUCTOR		1	
	L607	LK73H0BUR15K	M.CHIP INDUCTOR		1	
	L701	LR73Z0AD4R7M	CHIP INDUCTOR	4.7uH	1	
	L706	LB73H0AY-004	CHIP FERRITE		1	K1,K0,K2
	L707	LB73H0AY-004	CHIP FERRITE		1	K1,K0,K2
	L708	LB73H0CT-002	CHIP FERRITE		1	
	L709	LB73H0AY-004	CHIP FERRITE		1	
	L821	LB73G0ED-002	CHIP FERRITE		1	
	L830	LB73G0ED-002	CHIP FERRITE		1	
	L890	L7K-0030-00	FILTER		1	
	L891	L7K-0030-00	FILTER		1	K0
	L942	LB73G0FK-001	CHIP FERRITE		1	
	L961	LR73Z0AD4R7M	CHIP INDUCTOR	4.7uH	1	
	L990	L3D-0043-00	CHOKE COIL		1	
	L1900	L7K-0056-00	LC FILTER		1	
	L2005	LR73Z0AD4R7M	CHIP INDUCTOR	4.7uH	1	
	A1303	W0C-0167-00	CIRCUIT MODULE		1	K1,K0,E1,M1
	A1303	W0C-0168-10	CIRCUIT MODULE		1	K2
	CN110	QGA1501F4-03W	W TO B CONNE	W-B (1-3)	1	
	CN220	EA710AP-2002A	W TO B CONNE		1	K1,K0,K2
	CN481	EA710AP-2006A	W TO B CONNE		1	K2
	CN701	QGZ2006J1-20	DETACHABLE CONN	(1-20)	1	
	CN890	QGA2001F1-05	W TO B CONNE	W-B (1-5)	1	

MODEL	MARK	MODEL	MARK	MODEL	MARK	MODEL	MARK
KDC-BT572U	K1	KDC-X502	K0	KDC-X5200BT	E1	KDC-X5200BTM	M1
KMR-D772BT	K2						

Safe	Symbol No.	Parts No.	Parts Name	Description	QTY	Local
	CN891	EA710AP-2005A	W TO B CONNE		1	K0
	CN990	E5J-0139-00	R.RECEPTACLE		1	
	CN3000	EC720AE-1026B	FFC FPC CONNE		1	
	E1	QZW0010-001	STYLE PIN		1	
	E2	QZW0010-001	STYLE PIN		1	K1,K0,K2
	E5	QZW0010-001	STYLE PIN		1	
△	F1	F53-0513-08	PATTERN FUSE	4A	1	
△	F2	F53-0513-08	PATTERN FUSE	4A	1	
△	F540	FZA10BH-2R5	FUSE (CC)		1	
△	F560	FZA10BH-1R25	FUSE (CC)		1	
	J220	E1B-0013-00	3.5D PHONE JACK		1	E1,M1
	J321	E6D-0016-00	PIN JACK		1	
	J470	QNZ0907-001	CIR CONNECTOR		1	K1,K0,K2
	J600	QNB0356-001	ANT TERMINAL		1	
	S830	S7A-0025-00	TACTILE PUSH SW		1	
	VA480	NAF0029-002X	ESD SUPPRESSOR		1	K2
	VA601	F0K-0265-00	SURGE ABSORBER		1	
	VA703	F0K-0010-00	SURGE ABSORBER		1	
	VA705	F0K-0010-00	SURGE ABSORBER		1	
	VA890	F0K-0010-00	SURGE ABSORBER		1	
	VA891	F0K-0010-00	SURGE ABSORBER		1	
	VA892	F0K-0010-00	SURGE ABSORBER		1	K0
	VA893	F0K-0010-00	SURGE ABSORBER		1	K0
	VA9002	F0K-0010-00	SURGE ABSORBER		1	
	VA9707	F0K-0010-00	SURGE ABSORBER		1	
	VA9709	F0K-0010-00	SURGE ABSORBER		1	
	VA9710	F0K-0010-00	SURGE ABSORBER		1	
	VA9711	F0K-0010-00	SURGE ABSORBER		1	
	X600	L7J-0014-00	QUARTZ CRYSTAL		1	
	X701	L7J-0138-00	QUARTZ CRYSTAL		1	
	X702	L7J-0123-00	QUARTZ CRYSTAL		1	
	SWITCH PWB ASSY (XJ6-113x-0x) <XJ6>					
	IC1	BU97550KV-M	MOS IC		1	
	IC3	AS431AN-G1	ANALOG IC		1	
	IC71	M24SR02-YDW62	MCU IC		1	K2
	IC90	SIRD630B6T	IR DETECT UNIT		1	K1,K0,M1
	Q50	KTC4075EP/Y/	TRANSISTOR		1	
	Q51	KTC4075EP/Y/	TRANSISTOR		1	
	Q52	KTC4075EP/Y/	TRANSISTOR		1	
	Q53	KTC4075EP/Y/	TRANSISTOR		1	
	Q54	KTC4075EP/Y/	TRANSISTOR		1	
	Q55	KTC4075EP/Y/	TRANSISTOR		1	
	Q56	KTC4075EP/Y/	TRANSISTOR		1	
	Q57	KTC4075EP/Y/	TRANSISTOR		1	
	Q90	KRA302E-P	DIGI TRANSISTOR		1	K1,K0,M1
	Q91	KRC402E-P	DIGI TRANSISTOR		1	K1,K0,M1
	D2	SM5818PL	SCHOTTKY DIODE		1	
	D3	SM5818PL	SCHOTTKY DIODE		1	
	D20	SML-D12V8WT	LED		1	
	D21	SML-D12V8WT	LED		1	
	D22	QSMW-C13S	LED		1	
	D23	QSMW-C13S	LED		1	
	D31	LRTBGVTG-U//0	LED		1	
	D32	LRTBGVTG-U//0	LED		1	
	D33	LRTBGVTG-U//0	LED		1	
	D48	LRTBGVTG-U//0	LED		1	
	D49	LRTBGVTG-U//0	LED		1	
	C1	CK73GXR1C105K	C CAPACITOR	1uF 16V K	1	
	C5	CK73GXR1A105K	C CAPACITOR	1uF 10V K	1	
	C6	CK73EXR1C106K	C CAPACITOR	10uF 16V K	1	
	C7	CK73GBB1H472K	C CAPACITOR	4700pF 50V K	1	
	C72	CC73GCH1H101J	C CAPACITOR	100pF 50V J	1	K2
	C73	CC73GCH1H020C	C CAPACITOR	2pF 50V C	1	K2
	C74	CK73GBB1H102K	C CAPACITOR	1000pF 50V K	1	K2
	C91	CK73GXR1A105K	C CAPACITOR	1uF 10V K	1	K1,K0,M1
	R1	RK73GH2A473D	MG RESISTOR	47kΩ 1/10W D	1	
	R2	RK73GH2A473D	MG RESISTOR	47kΩ 1/10W D	1	
	R3	RK73GB2A471J	MG RESISTOR	470Ω 1/10W J	1	
	R4	RK73GB2A101J	MG RESISTOR	100Ω 1/10W J	1	
	R6	RK73EB2E151J	MG RESISTOR	150Ω 1/4W J	1	
	R8	RK73FB2B473J	MG RESISTOR	47kΩ 1/8W J	1	
	R14	RK73GB2A124J	MG RESISTOR	120kΩ 1/10W J	1	K1,K0,E1,M1
	R14	RK73GB2A104J	MG RESISTOR	100kΩ 1/10W J	1	K2
	R20	RK73GB2A152J	MG RESISTOR	1.5kΩ 1/10W J	1	
	R21	RK73FB2B152J	MG RESISTOR	1.5kΩ 1/8W J	1	
	R22	RK73FB2B152J	MG RESISTOR	1.5kΩ 1/8W J	1	
	R23	RK73FB2B152J	MG RESISTOR	1.5kΩ 1/8W J	1	
	R24	RK73FB2B681J	MG RESISTOR	680Ω 1/8W J	1	
	R25	RK73FB2B681J	MG RESISTOR	680Ω 1/8W J	1	
	R26	RK73FB2B122J	MG RESISTOR	1.2kΩ 1/8W J	1	
	R28	RK73FB2B681J	MG RESISTOR	680Ω 1/8W J	1	
	R29	RK73FB2B681J	MG RESISTOR	680Ω 1/8W J	1	
	R30	RK73FB2B122J	MG RESISTOR	1.2kΩ 1/8W J	1	
	R32	RK73FB2B681J	MG RESISTOR	680Ω 1/8W J	1	
	R33	RK73FB2B681J	MG RESISTOR	680Ω 1/8W J	1	
	R34	RK73FB2B122J	MG RESISTOR	1.2kΩ 1/8W J	1	
	R41	RK73FB2B681J	MG RESISTOR	680Ω 1/8W J	1	
	R43	RK73FB2B681J	MG RESISTOR	680Ω 1/8W J	1	
	R45	RK73FB2B102J	MG RESISTOR	1kΩ 1/8W J	1	
	R47	RK73FB2B681J	MG RESISTOR	680Ω 1/8W J	1	
	R49	RK73FB2B681J	MG RESISTOR	680Ω 1/8W J	1	
	R51	RK73FB2B102J	MG RESISTOR	1kΩ 1/8W J	1	

MODEL	MARK	MODEL	MARK	MODEL	MARK	MODEL	MARK
KDC-BT572U	K1	KDC-X502	K0	KDC-X5200BT	E1	KDC-X5200BTM	M1
KMR-D772BT	K2						

Safe	Symbol No.	Parts No.	Parts Name	Description	QTY	Local
	R71	RK73GB2A101J	MG RESISTOR	100Ω 1/10W J	1	K2
	R72	RK73GB2A101J	MG RESISTOR	100Ω 1/10W J	1	K2
	R73	RK73GB2A472J	MG RESISTOR	4.7kΩ 1/10W J	1	K2
	RA1	RK74GB1J101J	NET RESISTOR	100Ω 1/16W J	1	
	RA2	RK74GB1J101J	NET RESISTOR	100Ω 1/16W J	1	
	RA3	RK74GB1J101J	NET RESISTOR	100Ω 1/16W J	1	
	RA50	RK74GB1J682J	NET RESISTOR	6.8kΩ 1/16W J	1	
	RA51	RK74GB1J682J	NET RESISTOR	6.8kΩ 1/16W J	1	
	CN1	QG22006K1-20X	DETACHABLE CONN	(1-20)	1	
	S1	S7A-0002-00	TACTILE PUSH SW		1	
	S16	S7A-0002-00	TACTILE PUSH SW		1	
	S20	T9K-0007-00	ROTARY ENCODER		1	
CD MECHA PWB ASSY (XJD-0030-00) <XJD>						
	IC1	MN6627553APA	IC		1	
	IC2	BD8266EFV-M	ANALOG IC		1	
	Q1	2SA2188/E-X	TRANSISTOR		1	
	C1	CK73HBB1A104K	C CAPACITOR	0.1uF 10V K	1	
	C3	CK73HBB1A104K	C CAPACITOR	0.1uF 10V K	1	
	C4	CK73HBB1A104K	C CAPACITOR	0.1uF 10V K	1	
	C7	CK73GBB1C334K	C CAPACITOR	0.33uF 16V K	1	
	C8	CK73HBB1H102K	C CAPACITOR	1000pF 50V K	1	
	C9	CK73HBB1C823K	C CAPACITOR	0.082uF 16V K	1	
	C10	CK73HBB1H102K	C CAPACITOR	1000pF 50V K	1	
	C11	CK73HBB1A104K	C CAPACITOR	0.1uF 10V K	1	
	C12	CK73HBB1E153K	C CAPACITOR	0.015uF 25V K	1	
	C13	CC73HCH1H681J	C CAPACITOR	680pF 50V J	1	
	C14	CK73HBB1A104K	C CAPACITOR	0.1uF 10V K	1	
	C15	CK73GXR0J475K	C CAPACITOR	4.7uF 6.3V K	1	
	C16	CK730AU0J105K	C CAPACITOR	1uF 6.3V K	1	
	C17	CK73GBB1C334K	C CAPACITOR	0.33uF 16V K	1	
	C18	CK73HBB1H332K	C CAPACITOR	3300pF 50V K	1	
	C19	CK73HBB1E223K	C CAPACITOR	0.022uF 25V K	1	
	C20	NCB20JK-106X	C CAPACITOR	10uF 6.3V K	1	
	C21	CK73GBB1C334K	C CAPACITOR	0.33uF 16V K	1	
	C26	CK73FXR1C106K	C CAPACITOR	10uF 16V K	1	
	C27	CK73HBB1A104K	C CAPACITOR	0.1uF 10V K	1	
	C28	CK73HBB1A104K	C CAPACITOR	0.1uF 10V K	1	
	C50	CK73HBB1H682K	C CAPACITOR	6800pF 50V K	1	
	C51	CK73HBB1H682K	C CAPACITOR	6800pF 50V K	1	
	C52	CK73HBB1H103K	C CAPACITOR	0.01uF 50V K	1	
	C53	CK73HBB1H103K	C CAPACITOR	0.01uF 50V K	1	
	C55	CK73HBB1A104K	C CAPACITOR	0.1uF 10V K	1	
	C60	CC73HCH1H821J	C CAPACITOR	820pF 50V J	1	
	C61	CC73HCH1H821J	C CAPACITOR	820pF 50V J	1	
	C62	CK73GXR0J106M	C CAPACITOR	10uF 6.3V M	1	
	C82	CC73HCH1H471J	C CAPACITOR	470pF 50V J	1	
	C83	CC73HCH1H120J	C CAPACITOR	12pF 50V J	1	
	C84	CC73HCH1H120J	C CAPACITOR	12pF 50V J	1	
	C85	CK73HBB1A104K	C CAPACITOR	0.1uF 10V K	1	
	C244	CK73GXR1C154K	C CAPACITOR	0.15uF 16V K	1	
	R3	RK73HB1J102J	MG RESISTOR	1kΩ 1/16W J	1	
	R4	RK73HB1J105J	MG RESISTOR	1MΩ 1/16W J	1	
	R7	RK73HB1J272J	MG RESISTOR	2.7kΩ 1/16W J	1	
	R8	RK73HB1J821J	MG RESISTOR	820Ω 1/16W J	1	
	R9	RK73HB1J823J	MG RESISTOR	82kΩ 1/16W J	1	
	R10	RK73FB2B4R7J	MG RESISTOR	4.7Ω 1/8W J	1	
	R11	RK73HB1J472J	MG RESISTOR	4.7kΩ 1/16W J	1	
	R12	RK73HB1J225J	MG RESISTOR	2.2MΩ 1/16W J	1	
	R17	RK73HB1J123J	MG RESISTOR	12kΩ 1/16W J	1	
	R18	RK73HB1J822J	MG RESISTOR	8.2kΩ 1/16W J	1	
	R20	RK73HB1J103J	MG RESISTOR	10kΩ 1/16W J	1	
	R21	RK73HB1J822J	MG RESISTOR	8.2kΩ 1/16W J	1	
	R23	RK73HB1J183J	MG RESISTOR	18kΩ 1/16W J	1	
	R24	RK73HB1J272J	MG RESISTOR	2.7kΩ 1/16W J	1	
	R26	RK73HB1J223J	MG RESISTOR	22kΩ 1/16W J	1	
	R28	RK73HB1J114J	MG RESISTOR	110kΩ 1/16W J	1	
	R31	RK73HB1J821J	MG RESISTOR	820Ω 1/16W J	1	
	R32	RK73HB1J821J	MG RESISTOR	820Ω 1/16W J	1	
	R33	RK73HB1J131J	MG RESISTOR	130Ω 1/16W J	1	
	R37	RK73HB1J103J	MG RESISTOR	10kΩ 1/16W J	1	
	R44	RK73HB1J101J	MG RESISTOR	100Ω 1/16W J	1	
	R47	RK73HB1J101J	MG RESISTOR	100Ω 1/16W J	1	
	R305	RK73HB1J101J	MG RESISTOR	100Ω 1/16W J	1	
	RA1	RK74HB1J562J	NET RESISTOR	5.6kΩ 1/16W J	1	
	RA2	RK74HB1J101J	NET RESISTOR	100Ω 1/16W J	1	
	L1	LB73G0EA-002	CHIP FERRITE		1	
	L2	LB73H0AY-004	CHIP FERRITE		1	
	L3	LB73H0AY-004	CHIP FERRITE		1	
	CN1	EC720AE-1026B	FFC FPC CONNE		1	
	CN2	EC720AK-0515A	FFC FPC CONNE		1	
	S1	NSW0291-001X	DETECT SWITCH		1	
	S2	NSW0291-001X	DETECT SWITCH		1	
	S3	S6J-0002-00	PUSH SWITCH		1	
	X1	L7J-0005-00	QUARTZ CRYSTAL		1	