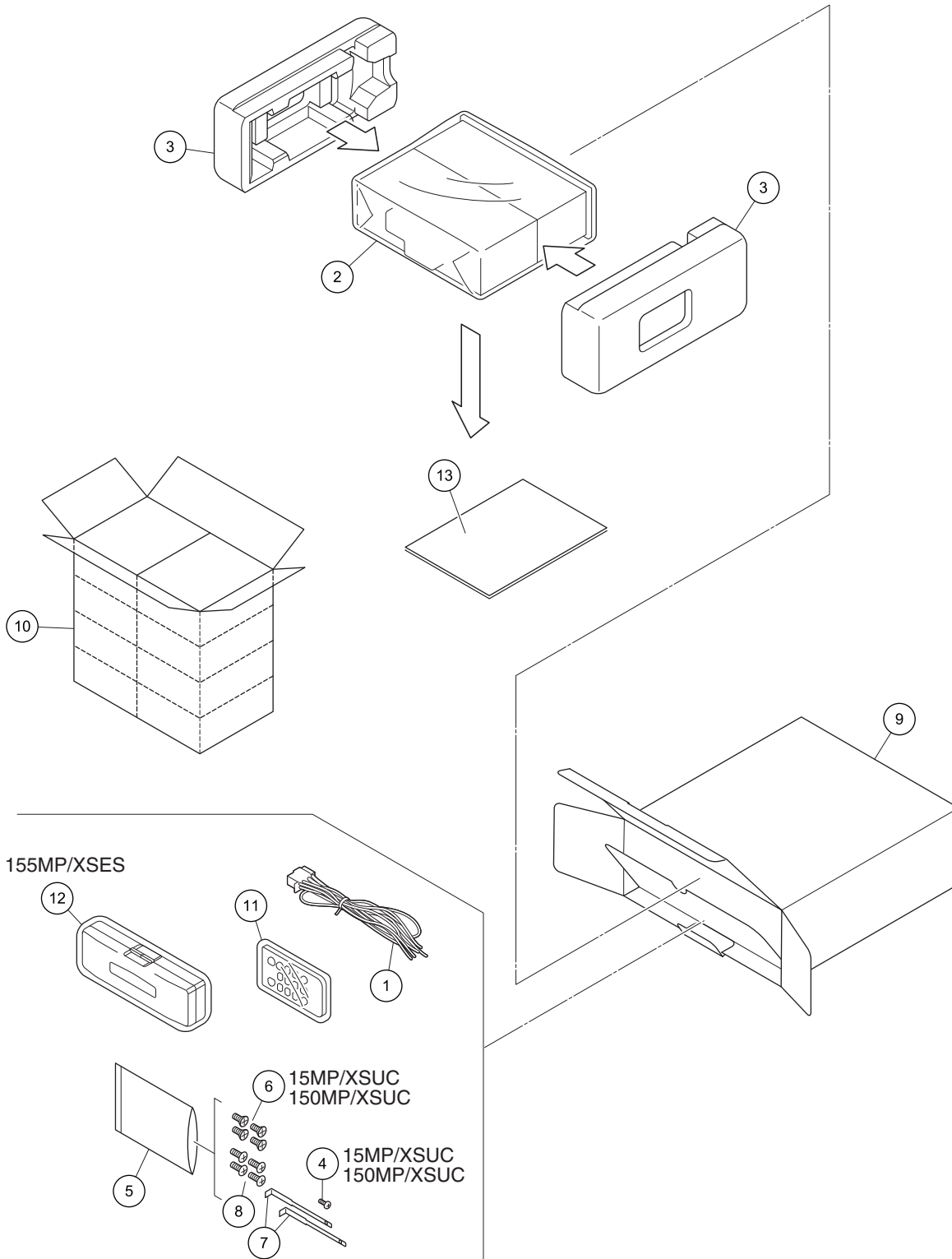


# 9. EXPLODED VIEWS AND PARTS LIST

NOTES : • Parts marked by " \* " are generally unavailable because they are not in our Master Spare Parts List.

- The  $\triangle$  mark found on some component parts indicates the importance of the safety factor of the part. Therefore, when replacing, be sure to use parts of identical designation.
- Screw adjacent to  $\nabla$  mark on the product are used for disassembly.
- For the applying amount of lubricants or glue, follow the instructions in this manual. (In the case of no amount instructions, apply as you think it appropriate.)

## 9.1 PACKING



**(1) PACKING SECTION PARTS LIST**

<u>Mark No.</u>	<u>Description</u>	<u>Part No.</u>	<u>Mark No.</u>	<u>Description</u>	<u>Part No.</u>
1	Cord Assy	CDP1480	8	Screw	TRZ50P080FTC
2	Polyethylene Bag	See Contrast table (2)	9	Unit Box	See Contrast table (2)
3	Protector	CHP4594	10	Contain Box	See Contrast table (2)
4	Screw	See Contrast table (2)	11	Card Remote Control Unit	QXE1047
5	Polyethylene Bag	CEG1160	12	Case Assy	See Contrast table (2)
6	Screw	See Contrast table (2)	13-1	Owner's Manual	See Contrast table (2)
7	Handle	QNC3021	* 13-2	Warranty Card	See Contrast table (2)

**(2) CONTRAST TABLE**

DEH-15MP/XSUC, DEH-150MP/XSUC, DEH-155MP/XSES, DEH-155MPG/XSCN5 and DEH-155MPG/XUCN5 are constructed the same except for the following:

Mark	No.	Description	DEH-15MP/XSUC	DEH-150MP/XSUC	DEH-155MP/XSES
	2	Polyethylene Bag	CEG1173	CEG1173	QEG3001
	4	Screw	BPZ20P060FTC	BPZ20P060FTC	Not used
	6	Screw	CRZ50P090FTC	CRZ50P090FTC	Not used
	9	Unit Box	QHG3431	QHG3342	QHG3346
	10	Contain Box	QHL3431	QHL3342	QHL3346
	12	Case Assy	Not used	Not used	QXA3129
	13-1	Owner's Manual	QRD3144	QRD3144	QRD3145
*	13-2	Warranty Card	QRY3001	QRY3001	Not used

Mark	No.	Description	DEH-155MPG/XSCN5	DEH-155MPG/XUCN5
	2	Polyethylene Bag	QEG3001	QEG3001
	4	Screw	Not used	Not used
	6	Screw	Not used	Not used
	9	Unit Box	QHG3349	QHG3437
	10	Contain Box	QHL3349	QHL3437
	12	Case Assy	Not used	Not used
	13-1	Owner's Manual	QRB3260	QRB3260
*	13-2	Warranty Card	YRY5002	YRY5002

**Owner's Manual, Installation Manual**

Part No.	Language
QRD3144	English, French, Spanish(Espanol)
QRD3145	English, Spanish(Espanol), Portuguese(B), Traditional Chinese, Arabic, Persian
QRB3260	Simplified Chinese

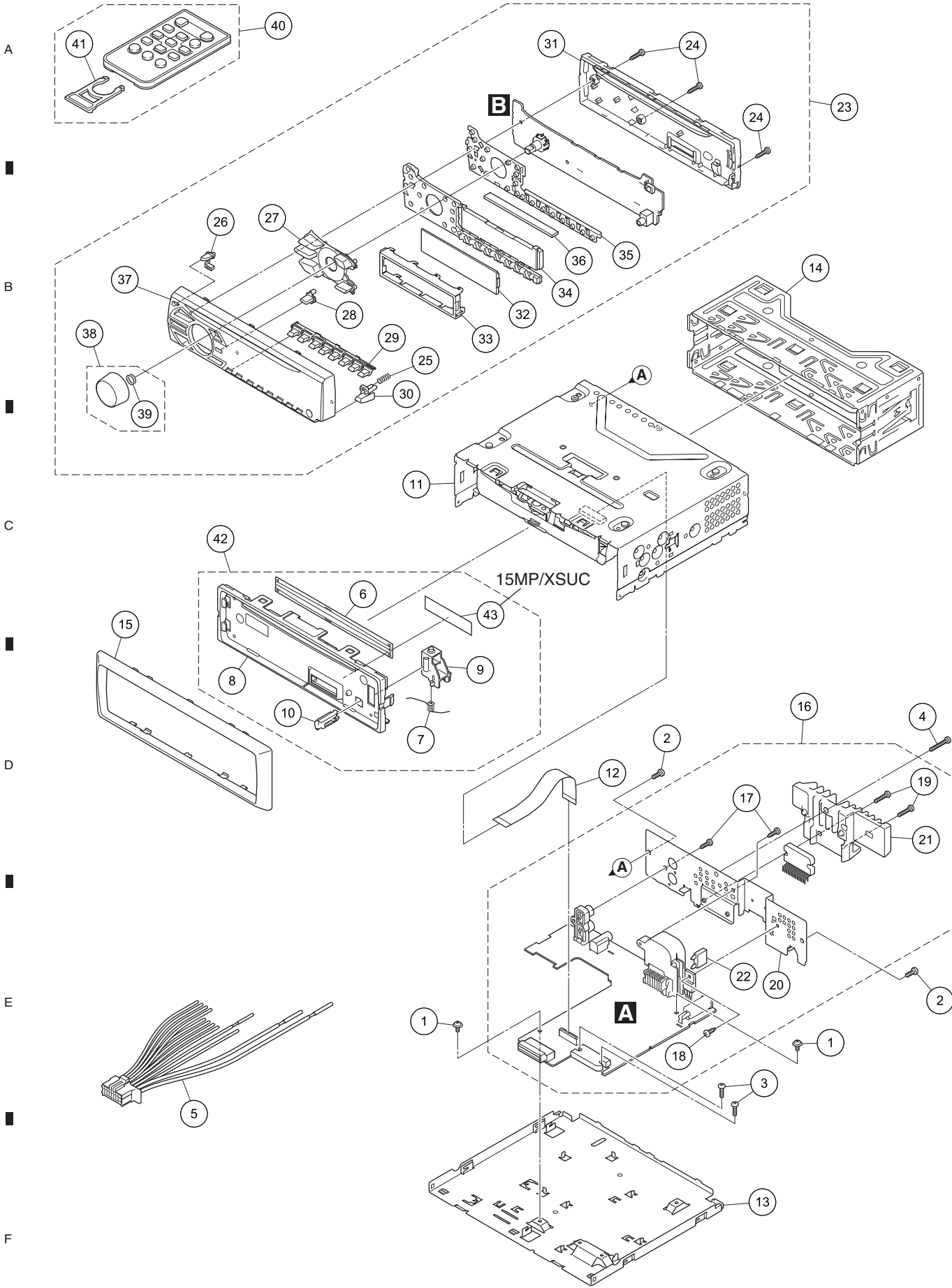
# 9.2 EXTERIOR

1

2

3

4



1

2

3

4

**(1) EXTERIOR SECTION PARTS LIST**

<u>Mark No.</u>	<u>Description</u>	<u>Part No.</u>	<u>Mark No.</u>	<u>Description</u>	<u>Part No.</u>
1	Screw	ASZ26P050FTC	23	Detachable Grille Assy	See Contrast table (2)
2	Screw	BSZ26P060FTC	24	Screw	BPZ20P100FTC
3	Screw	BSZ26P080FTC	25	Spring	CBH2210
4	Screw	BSZ26P120FTC			
5	Cord Assy	CDP1480	26	Button (EJECT)	QAC3075
			27	Button (SRC, BAND)	QAC3078
6	Cover	CNN1665	28	Button (DISP)	QAC3080
7	Spring	QBH3001	29	Button (< > 1-6)	QAC3081
8	Panel	QNS3126	30	Button (DETACH)	QAC3082
9	Arm	QNV3025			
10	Button	QNV3026	31	Cover	QNS3326
			32	Segment LCD (V1801)	CAW2024
11	CD Mechanism Module (S11.6)	CXK5804	33	Holder	QNC3045
12	FFC	QDE3029	34	Lighting Conductor	QNV3051
13	Case	QNB3005	35	Contact Rubber	QNV3052
14	Holder	QNC3020			
15	Panel	QNS3387	36	Rubber Connector	QNV3056
			37	Grille Unit	See Contrast table (2)
16	Tuner Amp Unit	See Contrast table (2)	38	Knob Unit	QXA3673
17	Screw	BPZ26P080FTC	39	Spring	YBL5010
18	Screw	BSZ26P060FTC	40	Card Remote Control Unit	QXE1047
19	Screw	BSZ26P120FTC			
20	Holder	See Contrast table (2)	41	Cover	CNS7068
			42	Panel Assy	See Contrast table (2)
21	Heat Sink	See Contrast table (2)	* 43	Seal	See Contrast table (2)
⚠ 22	Fuse (10 A)	YEK5001			

**(2) CONTRAST TABLE**

DEH-15MP/XSUC, DEH-150MP/XSUC, DEH-155MP/XSES, DEH-155MPG/XSCN5 and DEH-155MPG/XUCN5 are constructed the same except for the following:

Mark	No.	Description	DEH-15MP/XSUC	DEH-150MP/XSUC	DEH-155MP/XSES
	16	Tuner Amp Unit	QWM3492	QWM3491	QWM3493
	20	Holder	QNC3051	QNC3051	QNC3050
	21	Heat Sink	QNR3010	QNR3010	QNR3002
	23	Detachable Grille Assy	QXA3590	QXA3589	QXA3591
	37	Grille Unit	QXA3647	QXA3645	QXA3648
	42	Panel Assy	CXE5690	CXE5689	CXE5689
*	43	Seal	CAN3984	Not used	Not used

Mark	No.	Description	DEH-155MPG/XSCN5	DEH-155MPG/XUCN5
	16	Tuner Amp Unit	QWM3496	QWM3496
	20	Holder	QNC3050	QNC3050
	21	Heat Sink	QNR3002	QNR3002
	23	Detachable Grille Assy	QXA3596	QXA3596
	37	Grille Unit	QXA3652	QXA3652
	42	Panel Assy	CXE5689	*QXA3828
*	43	Seal	Not used	Not used



5 6 7 8  
**CD MECHANISM MODULE SECTION PARTS LIST**

<u>Mark No.</u>	<u>Description</u>	<u>Part No.</u>	<u>Mark No.</u>	<u>Description</u>	<u>Part No.</u>
1	.....		50	Damper	CNW1198
2	Screw	BSZ20P040FTC	51	Arm	CNW1726
3	Screw(M2 x 4)	CBA1835	52	Motor Unit(M2)(LOAD/CRG)	CXC4026
4	Washer	CBF1038	53	Screw Unit	CXC8894
5	Spring	CBH3010	54	Arm Assy	CXE5027
6	Spring	CBH2855	55	Washer	CBF1037
7	Spring	CBH2856	56	Washer	CBF1038
8	Spring	CBH2860	57	Arm	CND6242
9	Screw	BSZ26P060FTC	58	Collar	CNW2444
10	Spring	CBH3011	59	Roller	CNW1196
11	Coil Spring	CBH3095	60	Gear Unit	CXC8893
12	Spring	CBH3014	61	Washer	YE15FTC
13	Spring	CBH3015	62	Chassis Unit	CXE4528
14	Spring	CBH3016	63	Motor Unit(M1)(SPDL)	CXE2273
15	Spring	CBH3017	64	Screw	JFZ20P025FTC
16	Spring	CBH3086	65	Screw	JGZ17P022FTC
17	Spring	CBH3019	66	Screw	EBA1028
18	.....		67	CD Core Unit (S11.6STD)	CWX4023
19	Leaf Spring	CBL1824	68	Chassis	CNA3181
20	Pickup Unit(P10.6)(Service)	CXX3556			
21	Bracket	CND4553			
22	Arm	CND4555			
23	Bracket	CND6127			
24	Bracket	CND5710			
25	Lever	CND5398			
26	Sheet	CNN3678			
27	Rack	CNV8342			
28	Guide	CNW2240			
29	Roller	CNW1172			
30	Holder	CNW1195			
31	Arm	CNW2241			
32	Roller	CNW1175			
33	.....				
34	Arm	CNW1177			
35	Arm	CNW1178			
36	Gear	CNW1180			
37	Gear	CNW1181			
38	.....				
39	Gear	CNW1183			
40	Rack	CNW1184			
41	Gear	CNW1185			
42	Gear	CNW1186			
43	Gear	CNW1187			
44	Gear	CNW2287			
45	Clamper	CNW1190			
46	Arm	CNW1192			
47	Holder	CNW1193			
48	Holder	CNW1194			
49	Damper	CNW1197			

# 12. ELECTRICAL PARTS LIST

**NOTE:**

- Parts whose parts numbers are omitted are subject to being not supplied.
- The part numbers shown below indicate chip components.

Chip Resistor

RS1/○S○○○○J,RS1/○○S○○○○J

Chip Capacitor (except for CQS.....)

CKS....., CCS....., CSZS.....

- The  $\triangle$  mark found on some component parts indicates the importance of the safety factor of the part. Therefore, when replacing, be sure to use parts of identical designation.
- Meaning of the figures and others in the parentheses in the parts list.

Example) IC 301 is on the point (face A, 91 of x-axis, and 111 of y-axis) of the corresponding PC board.

IC 301 (A, 91, 111) IC NJM2068V

- The expression of the unit in this manual is shown by u instead of  $\mu$ . Please do not make a mistake.

	<u>Circuit Symbol and No.</u>	<u>Part No.</u>	<u>Circuit Symbol and No.</u>	<u>Part No.</u>
<b>A:</b>	DEH-15MP/XSUC		IC 801 (A,104,18) L-MOS And Gate	TC7SET08FUS1
<b>B:</b>	DEH-150MP/XSUC		IC 911 (A,145,28) IC	BA49183-V12
<b>C:</b>	DEH-155MP/XSES		IC 961 (A,131,110) IC	TPD1052F
<b>E:</b>	DEH-155MPG/XSCN5		Q 252 (A,23,131) Chip Transistor	RN1910
<b>F:</b>	DEH-155MPG/XUCN5		Q 301 (A,87,125) Chip Transistor	RN4983
<b>Unit Number:</b>	QWM3492(A)		Q 302 (A,127,104) Transistor	LTC014YEB
<b>Unit Number:</b>	QWM3491(B)		Q 751 (A,142,139) Transistor	2SD2396
<b>Unit Number:</b>	QWM3493(C)		Q 752 (A,142,133) Chip Transistor	RN4983
<b>Unit Number:</b>	QWM3496(E,F)		Q 873 (A,149,72) Transistor	2SD1767
<b>Unit Name :</b>	Tuner Amp Unit		Q 874 (A,149,65) Chip Transistor	RN4983
<b>Unit Number:</b>			Q 875 (A,147,54) Transistor	LTC043EEB
<b>Unit Name :</b>	Keyboard Unit		Q 941 (A,96,121) Transistor	LSCR523UB
<b>Unit Number:</b>	CWX4023		D 301 (A,102,125) Diode	CRG03
<b>Unit Name :</b>	CD Core Unit (S11.6STD)		D 302 (A,90,121) Diode	CRG03
<b>A</b>			D 401 (A,158,107) Diode	RN731VN
<b>Unit Number:</b>	QWM3492(A)		D 402 (A,158,100) Diode	RN731VN
<b>Unit Number:</b>	QWM3491(B)		D 751 (A,138,135) Diode	RKZ8.2KG(B2)
<b>Unit Number:</b>	QWM3493(C)		D 802 (A,92,17) Diode	DZ2S068C
<b>Unit Number:</b>	QWM3496(E,F)		D 803 (A,126,15) Diode	DZ2S068C
<b>Unit Name :</b>	Tuner Amp Unit		D 804 (A,119,14) Diode	DZ2S068C
<b>E</b>			D 805 (A,120,14) Diode	DZ2S068C
<b>Unit Number:</b>			D 871 (A,148,61) Diode	RKZ7.5KG(B2)
<b>Unit Name :</b>	Keyboard Unit		D 901 (A,141,127) Diode	1SR154-400
<b>Unit Number:</b>			D 902 (A,137,127) Diode	1SR154-400
<b>Unit Name :</b>	CD Core Unit (S11.6STD)		D 911 (A,158,66) Diode	CRG03
<b>A</b>			D 912 (A,161,66) Diode	CRG03
<b>Unit Number:</b>	QWM3492(A)		D 941 (A,93,125) Diode	HZU7L(A1)
<b>Unit Number:</b>	QWM3491(B)		L 202 (A,94,102) Inductor	CTF1793
<b>Unit Number:</b>	QWM3493(C)		L 401 (A,155,104) Chip Coil	LCTAWR27J2520
<b>Unit Number:</b>	QWM3496(E,F)		L 402 (A,159,104) Chip Coil	LCTAWR15J2520
<b>Unit Name :</b>	Tuner Amp Unit		L 403 (A,151,102) Inductor	CTF1786
<b>MISCELLANEOUS</b>			L 404 (A,146,102) Inductor	CTF1786
IC 201 (A,101,107) LSI	PM9013A		L 405 (A,151,108) Inductor(A,B)	LCYB68NJ1608
IC 301 (A,78,142) IC	PAL011A		L 406 (A,147,105) Inductor(A,B,E)	CTF1389
IC 401 (A,150,91) IC	TDA7706		L 407 (A,147,107) Chip Coil(C)	LCTAWR27J2520
IC 601 (A,110,77) IC	R5S726A0D216FP		L 408 (A,141,104) Inductor(A,B,E)	LCTAW4R7J2520
IC 671 (A,131,75) IC	S-80827CNMC-B8M		(A,141,104) Chip Coil(C)	LCTAW1R5J2520
			L 409 (A,143,109) Chip Coil(C)	LCTAWR39J2520
IC 681 (A,114,94) Flash ROM Unit(A,B)	PEB047A8		L 410 (A,137,94) Chip Coil(A,B,E)	LCTAW470J2520
(A,114,94) Flash ROM Unit(C,E,F)	PEB046A8		(A,137,94) Inductor(C)	LCTAW2R2J2520

5		6		7		8	
<u>Circuit Symbol and No.</u>		<u>Part No.</u>		<u>Circuit Symbol and No.</u>		<u>Part No.</u>	
L 413	(A,144,82)	Inductor	CTF1786	R 616	(A,125,68)	RS1/16SS473J	
L 419	(A,161,95)	Inductor	CTF1786	R 617	(A,131,81)	RS1/16SS103J	
L 420	(A,161,96)	Inductor	CTF1786	R 618	(A,125,82) (C)	RS1/16SS103J	
L 901	(A,112,141)	Choke Coil 600 uH	CTH1432		(A,125,82) (E,F)	RS1/16SS473J	A
X 401	(A,161,88)	Crystal Resonator 36.48 MHz	CSS1848	R 619	(A,126,82) (A,B,C)	RS1/16SS473J	
X 601	(A,126,76)	Crystal Resonator 12 MHz	CSS1847		(A,126,82) (E,F)	RS1/16SS223J	
X 602	(A,117,90)	Ceramic Resonator 16.934 MHz	CSS1603	R 622	(A,125,87)	RS1/16SS473J	
△ P251	(A,6,130)	Fuse 3.0 A	CEK1386	R 623	(A,130,85)	RAB4CQ473J	
P 401	(A,157,111)	Surge Absorber	IMSA-6803-01Y900				
VA801	(A,108,13)	Varistor	EZJP0V270RM	R 625	(A,114,90)	RS1/16SS101J	
VA802	(A,101,13)	Varistor	EZJP0V270RM	R 626	(A,113,90)	RS1/16SS101J	
CN701	(A,114,32)	Connector	VKN1192	R 627	(A,112,88)	RS1/16SS101J	
CN801	(A,109,4)	Connector	CKS6452	R 628	(A,111,90)	RS1/16SS101J	
JA251	(A,19,138)	Pin Jack	YKB5010	R 629	(A,109,92)	RS1/16SS101J	
JA401	(A,158,129)	Antenna Jack	YKS5041	R 630	(A,110,89)	RS1/16SS101J	B
JA891	(A,42,138)	Jack(C,E,F)	CKS6437	R 631	(A,107,92)	RS1/16SS473J	
JA901	(A,113,141)	Connector	CKM1613	R 632	(A,105,91)	RS1/16SS473J	
△	Fuse 10 A		YEK5001	R 633	(A,107,90)	RS1/16SS101J	
				R 634	(A,103,88)	RS1/16SS102J	
<b>RESISTORS</b>				R 635	(A,102,88)	RS1/16SS102J	
R 255	(A,29,132)		RS1/16SS821J	R 636	(A,100,91)	RS1/16SS473J	
R 256	(A,19,131)		RS1/16SS821J	R 637	(A,100,90)	RS1/16SS473J	
R 257	(A,28,131)		RS1/16SS223J	R 638	(A,104,92)	RS1/16SS473J	
R 258	(A,21,131)		RS1/16SS223J	R 639	(A,97,91)	RS1/16SS472J	
R 301	(A,68,127)		RS1/16SS471J	R 640	(A,98,91)	RS1/16SS472J	
R 302	(A,82,125)		RS1/16SS471J	R 643	(A,99,82)	RS1/16SS104J	C
R 303	(A,73,127)		RS1/16SS471J	R 644	(A,98,79)	RS1/16SS101J	
R 304	(A,78,126)		RS1/16SS471J	R 645	(A,95,79)	RS1/16SS101J	
R 305	(A,88,127)		RS1/16SS103J	R 646	(A,92,75)	RS1/16SS103J	
R 306	(A,89,129)		RS1/16SS102J	R 647	(A,98,78)	RS1/16SS101J	
R 309	(A,86,121)		RS1/16SS103J	R 648	(A,95,76)	RS1/16SS102J	
R 311	(A,86,123)		RS1/16SS473J	R 649	(A,95,75)	RS1/16SS102J	
R 312	(A,99,129)		RS1/16SS103J	R 650	(A,95,74)	RS1/16SS102J	
R 401	(A,161,106)		RS1/16SS221J	R 651	(A,97,71)	RS1/16SS473J	
R 402	(A,161,100)		RS1/16SS751J	R 653	(A,100,66)	RS1/16SS103J	
R 403	(A,139,104) (A,B,E)		RS1/16SS391J	R 661	(A,100,65) (C,E,F)	RS1/16SS473J	
	(A,139,104) (C)		RS1/16SS331J	R 662	(A,102,61) (C,E,F)	RS1/16SS473J	D
R 404	(A,142,99)		RS1/16SS105J	R 664	(A,133,62)	RS1/16SS103J	
R 406	(A,154,108)		RS1/16SS105J	R 668	(A,93,71)	RS1/16SS473J	
R 407	(A,139,96)		RS1/16SS330J	R 671	(A,128,70)	RS1/16SS104J	
R 408	(A,137,97) (A,B,E)		RS1/16SS471J	R 681	(A,109,97)	RS1/16SS473J	
	(A,137,97) (C)		RS1/16SS361J	R 682	(A,110,91)	RS1/16SS473J	
R 409	(A,144,98) (C)		RS1/16SS0R0J	R 683	(A,120,92)	RS1/16SS473J	
R 410	(A,141,91)		RS1/16SS0R0J	R 684	(A,109,94)	RS1/16SS473J	
R 411	(A,138,91) (A,B,E)		RS1/16SS681J	R 685	(A,120,96)	RS1/16SS473J	
	(A,138,91) (C)		RS1/16SS391J	R 701	(A,108,38)	RS1/16SS473J	
R 412	(A,152,78)		RS1/4SA8R2J	R 702	(A,115,37)	RS1/16SS104J	E
R 413	(A,158,78)		RS1/4SA8R2J	R 703	(A,118,28)	RAB4CQ472J	
R 414	(A,139,87)		RS1/16SS0R0J	R 704	(A,110,41)	RS1/16SS104J	
R 415	(A,152,80)		RS1/16SS0R0J	R 706	(A,108,36)	RS1/16SS221J	
R 539	(A,97,83)		RS1/16SS473J	R 707	(A,109,38)	RS1/16SS221J	
R 540	(A,97,85)		RS1/16SS473J	R 708	(A,110,38)	RS1/16SS101J	
R 602	(A,107,63)		RS1/16SS473J	R 709	(A,111,38)	RS1/16SS221J	
R 609	(A,122,64)		RS1/16SS473J	R 710	(A,112,38)	RS1/16SS101J	
R 610	(A,122,70)		RS1/16SS473J	R 711	(A,114,39)	RS1/16SS102J	
R 611	(A,124,72)		RS1/16SS473J	R 715	(A,116,36)	RS1/16SS151J	
R 613	(A,121,76)		RS1/16SS152J	R 716	(A,117,36)	RS1/16SS151J	
R 614	(A,122,78)		RS1/16SS473J	R 717	(A,119,36)	RS1/16SS151J	F
R 615	(A,130,79)		RS1/16SS473J	R 718	(A,122,36)	RS1/16SS221J	
				R 719	(A,121,36)	RS1/16SS104J	
				R 752	(A,145,135)	RS1/10SR821J	

1

2

3

4

**Circuit Symbol and No.****Part No.****Circuit Symbol and No.****Part No.**

R 753	(A,127,91)	RS1/16SS473J	C 258	(A,20,131)	CCSSCH101J50
R 754	(A,127,92)	RS1/16SS103J	C 261	(A,6,133) (A,B,C)	CCSSCH101J50
R 801	(A,124,22)	RS1/10SR222J		(A,6,133) (E,F)	CKSSYB102K50
R 803	(A,121,17)	RS1/16SS223J	C 301	(A,69,129)	CKSRYB224K16
R 804	(A,118,17)	RS1/16SS223J	C 303	(A,80,129)	CKSRYB224K16
R 805	(A,121,19)	RS1/10SR101J	C 305	(A,72,129)	CKSRYB224K16
R 806	(A,118,20)	RS1/10SR101J	C 307	(A,77,129)	CKSRYB224K16
R 807	(A,119,20)	RS1/10SR101J	C 313	(A,83,130)	CKSRYB105K16
R 808	(A,124,20)	RS1/10SR222J	C 314	(A,135,126)	CKSRYB104K16
R 813	(A,107,16)	RS1/10SR222J	C 317	(A,60,129)	CEVW100M16
R 814	(A,101,19)	RS1/10SR222J	C 322	(A,104,126)	CKSRYB104K16
R 815	(A,100,19)	RS1/16SS822J	C 327	(A,87,129)	CKSRYB105K16
R 816	(A,96,19)	RS1/10SR222J	C 402	(A,155,101)	CKSSYB103K16
R 817	(A,95,19)	RS1/10SR222J	C 403	(A,152,102)	CKSRYB105K10
R 851	(A,93,20)	RS1/16SS472J	C 405	(A,162,101)	CKSSYB103K16
R 874	(A,147,58)	RS1/10SR391J	C 406	(A,160,101)	CKSSYB103K16
R 875	(A,149,58)	RS1/10SR473J	C 408	(A,161,105)	CKSSYB103K16
R 877	(A,121,27)	RS1/16SS1R0J	C 409	(A,156,105)	CCSSCH6R0D50
R 878	(A,124,26)	RS1/10SR473J	C 410	(A,155,107)	CCSSCH330J50
R 879	(A,156,67)	RS1/10SR122J	C 411	(A,148,99)	CKSSYB103K16
R 891	(A,58,138) (C,E,F)	RS1/16SS102J	C 412	(A,148,101)	CKSSYB104K10
R 892	(A,58,136) (C,E,F)	RS1/16SS102J	C 413	(A,150,101)	CKSSYB104K10
R 911	(A,145,40)	RS1/10SR1R0J	C 414	(A,145,100)	CKSSYB103K16
R 912	(A,141,41)	RS1/10SR1R0J	C 415	(A,144,101) 10 uF	CCG1192
R 941	(A,94,121)	RS1/16SS223J	C 416	(A,147,100)	CKSSYB104K10
R 942	(A,94,122)	RS1/16SS473J	C 418	(A,142,101)	CKSSYB223K16
R 943	(A,95,125)	RS1/16SS472J	C 419	(A,146,110) (C)	CCSSCH150J50
R 944	(A,98,123)	RS1/4SA102J	C 420	(A,150,106) (C,E,F)	CKSSYB103K16
R 961	(A,127,112)	RS1/16SS103J	C 421	(A,154,111) (A,B)	CCSSCJ3R0C50
R 962	(A,130,113)	RS1/16SS103J	C 423	(A,144,106) (C)	CCSSCH8R0D50
R 963	(A,129,112)	RS1/16SS105J	C 424	(A,140,101)	CKSSYB103K16
			C 425	(A,138,99) 10 uF	CCG1192
			C 426	(A,139,97)	CKSSYB104K10

**CAPACITORS**

C 201	(A,96,115)	CKSRYB105K10	C 427	(A,144,97)	CKSSYB104K10
C 202	(A,104,116)	CKSRYB105K10	C 428	(A,137,96) (A,B,E)	CCSSCH101J50
C 203	(A,92,116)	CKSRYB105K10		(A,137,96) (C)	CCSSCH220J50
C 204	(A,107,115)	CKSRYB105K10	C 429	(A,136,96)	CKSSYB103K16
C 205	(A,94,116)	CKSRYB105K10	C 430	(A,139,90) (A,B)	CKSSYB105K6R3
C 206	(A,107,114)	CKSRYB105K10	C 432	(A,138,92) (A,B,E)	CCSSCH820J50
C 207	(A,94,108)	CKSSYB104K10		(A,138,92) (C)	CCSSCK2R0C50
C 208	(A,94,106)	CKSSYB104K10	C 433	(A,136,91) (A,B)	CKSSYB105K6R3
C 209	(A,93,104) 10 uF	CCG1192	C 435	(A,139,86)	CKSRYB474K10
C 212	(A,108,109) 10 uF	CCG1192	C 436	(A,140,84) (C)	CKSSYB104K10
C 213	(A,108,106)	CKSSYB104K10	C 439	(A,145,80) (C)	CKSRYB104K16
C 214	(A,108,104)	CKSSYB104K10	C 440	(A,142,86)	CKSSYB102K50
C 215	(A,108,102)	CKSSYB104K10	C 441	(A,137,89) (A,B)	CCSSCH100D50
C 216	(A,92,101) 10 uF	CCG1192	C 442	(A,146,83)	CKSSYB104K10
C 217	(A,95,100)	CKSSYB104K10	C 444	(A,152,82) 2.2 uF	CCG1218
C 218	(A,114,109) Capacitor	CEVW470M16	C 445	(A,156,82)	CKSSYB104K10
C 219	(A,112,103) 10 uF	CCG1192	C 447	(A,157,83) 2.2 uF(C)	CCG1218
C 220	(A,106,98) 10 uF	CCG1192	C 448	(A,158,85) (A,B,E)	CKSSYB104K10
C 223	(A,91,101)	CKSSYB102K50	C 449	(A,161,85)	CCSSCH9R0D50
C 224	(A,115,103)	CKSSYB104K10	C 450	(A,161,90)	CCSSCH9R0D50
C 229	(A,110,112)	CKSSYB102K50	C 451	(A,158,91)	CKSSYB104K10
C 236	(A,110,104)	CKSRYB105K10	C 452	(A,158,94)	CKSRYB105K10
C 255	(A,35,132) 4.7 uF	CCG1201	C 453	(A,160,96)	CKSSYB104K10
C 256	(A,30,130) 4.7 uF	CCG1201	C 455	(A,158,97)	CKSRYB224K16
C 257	(A,26,131)	CCSSCH101J50	C 456	(A,161,92)	CKSSYB472K25
			C 457	(A,161,93)	CKSSYB472K25
			C 461	(A,145,104)	CKSSYB104K16

1

2

3

4

5  
**Circuit Symbol and No.**

6  
**Part No.**

7  
**Circuit Symbol and No.**

8  
**Part No.**

C 601	(A,104,66)	CKSSYB104K10
C 602	(A,109,65)	CKSSYB104K10
C 603	(A,111,65)	CKSSYB104K10
C 604	(A,112,65)	CKSSYB104K10
C 605	(A,116,65)	CKSSYB104K10
C 606	(A,122,71)	CKSSYB104K10
C 607	(A,126,73)	CCSSCH120J50
C 608	(A,126,78)	CCSSCH120J50
C 609	(A,121,73)	CKSSYB104K10
C 610	(A,121,75)	CKSSYB104K10
C 611	(A,122,77)	CKSSYB104K10
C 612	(A,122,82)	CKSSYB104K10
C 613	(A,123,82)	CKSSYB104K10
C 620	(A,114,88)	CKSSYB104K10
C 621	(A,108,88)	CKSSYB104K10
C 622	(A,105,93)	CCSSCH220J50
C 623	(A,106,88)	CKSSYB104K10
C 624	(A,105,88)	CKSSYB104K10
C 625	(A,104,90)	CKSSYB104K10
C 626	(A,100,80)	CKSSYB104K10
C 627	(A,97,81)	CCSSCH220J50
C 628	(A,95,81)	CCSSCH220J50
C 629	(A,99,75)	CKSSYB104K10
C 630	(A,99,73)	CKSSYB104K10
C 631	(A,96,77)	CCSSCH220J50
C 672	(A,132,71)	CKSRYP105K10
C 681	(A,121,96)	CKSSYB104K10
C 683	(A,120,94)	CCSSCJ3R0C50
C 701	(A,111,41)	CKSSYB103K16
C 704	(A,120,39)	CCSSCH100D50
C 705	(A,118,38)	CCSSCH100D50
C 706	(A,116,38)	CCSSCH100D50
C 752	(A,141,135)	CKSSYB104K10
C 753	(A,147,131) 10 uF	CCG1192
C 801	(A,124,6)	CKSRYP221K50
C 806	(A,125,8)	CKSRYP104K16
C 807	(A,122,14)	CKSRYP105K10
C 809	(A,96,16)	CCSRCH221J50
C 810	(A,96,13)	CCSRCH221J50
C 811	(A,104,20)	CKSSYB104K10
C 871	(A,153,62)	CKSSYB104K16
C 873	(A,124,24)	CKSRYP104K16
C 891	(A,52,138) (C,E,F)	CKSRYP104K16
C 892	(A,34,139) (C,E,F)	CKSRYP104K16
C 901	(A,133,124) 2 200 uF/16 V	CCH2040
C 912	(A,152,40)	CKSSYB102K50
C 913	(A,131,43)	CKSSYB102K50
C 914	(A,156,56) 1 000 uF/16 V	CCH2024
C 915	(A,132,42)	CKSRYP104K16
C 916	(A,146,43) 4.7 uF	CCG1201
C 917	(A,145,46)	CKSSYB102K50
C 919	(A,151,42) 4.7 uF	CCG1201
C 921	(A,135,42) 4.7 uF	CCG1201
C 923	(A,159,41) 4.7 uF	CCG1201
C 926	(A,140,44) 4.7 uF	CCG1201
C 927	(A,139,42)	CKSSYB102K50
C 941	(A,96,124)	CKSRYP104K16
C 961	(A,126,107)	CKSSYB104K16
C 962	(A,132,107)	CKSSYB104K16
C 966	(A,128,112)	CKSSYB333K16
C 969	(A,135,113) 22 uF	DCH1256

**B**

**Unit Number :**

**Unit Name : Keyboard Unit**

**MISCELLANEOUS**

IC 1801	(B,85,23) IC	PD6583A8
IC 1941	(A,157,39) Remote IC	SIR8440B5
D 1951	(A,65,22) White LED	CSL0401WBHCW1(A)
D 1952	(A,18,32) LED(E,F)	SML-D12P8W(KL)
D 1953	(A,53,31) LED(E,F)	SML-D12P8W(KL)
D 1954	(A,55,20) LED(E,F)	SML-D12P8W(KL)
D 1955	(A,5,38) LED(E,F)	SML-D12P8W(KL)
D 1956	(A,68,6) LED(E,F)	SML-D12P8W(KL)
D 1957	(A,79,6) LED(E,F)	SML-D12P8W(KL)
D 1958	(A,12,21) LED(E,F)	SML-D12P8W(KL)
D 1959	(A,18,9) LED(E,F)	SML-D12P8W(KL)
D 1960	(A,54,8) LED(E,F)	SML-D12P8W(KL)
D 1961	(A,90,6) LED(E,F)	SML-D12P8W(KL)
D 1962	(A,101,6) LED(E,F)	SML-D12P8W(KL)
D 1963	(A,112,6) LED(E,F)	SML-D12P8W(KL)
D 1964	(A,123,6) LED(E,F)	SML-D12P8W(KL)
D 1965	(A,133,6) LED(E,F)	SML-D12P8W(KL)
D 1966	(A,144,6) LED(E,F)	SML-D12P8W(KL)
D 1967	(A,17,31) Red LED(A,B,C)	FC-1608SXX630D08
D 1968	(A,54,31) Red LED(A,B,C)	FC-1608SXX630D08
D 1969	(A,58,20) Red LED(A,B,C)	FC-1608SXX630D08
D 1970	(A,6,36) Red LED(A,B,C)	FC-1608SXX630D08
D 1971	(A,17,10) Red LED(A,B,C)	FC-1608SXX630D08
D 1972	(A,53,8) Red LED(A,B,C)	FC-1608SXX630D08
D 1973	(A,80,6) Red LED(A,B,C)	FC-1608SXX630D08
D 1974	(A,69,6) Red LED(A,B,C)	FC-1608SXX630D08
D 1975	(A,92,6) Red LED(A,B,C)	FC-1608SXX630D08
D 1976	(A,102,6) Red LED(A,B,C)	FC-1608SXX630D08
D 1977	(A,113,6) Red LED(A,B,C)	FC-1608SXX630D08
D 1978	(A,124,6) Red LED(A,B,C)	FC-1608SXX630D08
D 1979	(A,135,6) Red LED(A,B,C)	FC-1608SXX630D08
D 1980	(A,145,6) Red LED(A,B,C)	FC-1608SXX630D08
D 1981	(A,12,22) Red LED(A,B,C)	FC-1608SXX630D08
L 1802	(B,133,7) Inductor	CTF1389
L 1803	(B,130,8) Inductor	CTF1389
L 1804	(B,139,6) Inductor	CTF1389
X 1801	(B,70,25) Ceramic Resonator 5.00 MHz	CSS1547
S 1830	(A,37,20) Rotary Encoder(MULTI-CONTROL)	CSD1184
CN1931	(B,109,10) Connector	CKS6451
JA1921	(A,155,9) Jack	CKN1095
V 1801	(A,142,32) Segment LCD	CAW2024

**RESISTORS**

R 1801	(B,82,13)	RS1/10SR473J
R 1802	(B,73,20)	RS1/10SR473J
R 1803	(B,75,24)	RS1/10SR222J
R 1804	(B,75,22)	RS1/10SR0R0J
R 1805	(B,58,29)	RS1/10SR473J
R 1806	(B,60,30)	RS1/10SR473J
R 1807	(B,60,31)	RS1/10SR473J
R 1808	(B,58,32)	RS1/10SR473J
R 1823	(B,50,23)	RS1/10SR273J
R 1931	(B,43,11)	RS1/10SR222J

**Circuit Symbol and No.****Part No.****Circuit Symbol and No.****Part No.**

R 1932	(B,45,11)	RS1/10SR222J
R 1944	(B,133,27)	RS1/10SR101J
R 1951	(B,56,16)	RS1/4SA221J
R 1952	(B,56,18)	RS1/4SA221J
R 1953	(B,17,27) (E,F)	RS1/4SA561J
R 1954	(B,12,34) (E,F)	RS1/10SR182J
R 1956	(B,19,26) (E,F)	RS1/4SA681J
R 1958	(B,24,7) (E,F)	RS1/4SA681J
R 1960	(B,20,20) (E,F)	RS1/4SA391J
R 1962	(B,11,10) (E,F)	RS1/10SR0R0J
R 1963	(B,19,18) (E,F)	RS1/10SR182J
R 1965	(B,22,16) (E,F)	RS1/4SA681J
R 1967	(B,21,12) (E,F)	RS1/4SA681J
R 1969	(B,145,19) (E,F)	RS1/4SA681J
R 1971	(B,11,32) (A,B,C)	RS1/4SA152J
R 1973	(B,52,16) (A,B,C)	RS1/4SA152J
R 1976	(B,16,13) (A,B,C)	RS1/4SA122J
R 1979	(B,28,11) (A,B,C)	RS1/10SR182J
R 1981	(B,51,14) (A,B,C)	RS1/10SR182J
R 1983	(B,140,19) (A,B,C)	RS1/10SR222J
R 1984	(B,47,10) (E,F)	RS1/10SR0R0J
R 1989	(B,54,9) (A,B,C)	RS1/10SR0R0J
R 1990	(B,19,22) (A,B,C)	RS1/4SA182J
R 1993	(B,14,18) (A,B,C)	RS1/10SR0R0J

R 229	(B,12,34)	RS1/16SS471J
R 232	(A,31,54)	RS1/16SS0R0J
R 237	(B,33,45)	RS1/16SS221J
R 240	(B,34,40)	RS1/16SS473J
R 245	(A,34,46)	RS1/16SS104J
R 254	(A,37,56)	RS1/16SS104J
R 260	(B,30,27)	RS1/16SS103J
R 264	(A,22,9)	RS1/16SS102J
R 281	(B,33,38)	RS1/16SS560J
R 282	(B,33,39)	RS1/16SS560J
R 283	(B,35,38)	RS1/16SS0R0J
R 291	(B,33,34)	RS1/16SS560J
R 292	(B,33,36)	RS1/16SS0R0J
R 293	(B,35,39)	RS1/16SS0R0J
R 294	(B,27,48)	RS1/16SS471J
R 296	(B,34,43)	RS1/16SS0R0J
R 301	(A,27,9)	RS1/16SS0R0J
R 302	(A,28,9)	RS1/16SS0R0J
R 303	(A,27,11)	RS1/16SS123J
R 304	(A,28,11)	RS1/16SS123J
R 305	(A,26,9)	RS1/16SS102J
R 306	(A,26,11)	RS1/16SS472J
R 307	(A,25,9)	RS1/16SS102J
R 308	(A,25,11)	RS1/16SS472J
R 309	(A,35,6)	RS1/16SS473J
R 310	(B,30,9)	RS1/16SS472J
R 311	(B,30,10)	RS1/16SS472J
R 312	(B,30,11)	RS1/16SS472J
R 313	(B,30,12)	RS1/16SS472J
R 701	(A,21,38)	RS1/16SS101J
R 702	(A,23,38)	RS1/16SS101J
R 706	(A,32,42)	RS1/16SS221J
R 708	(B,28,26)	RS1/16SS0R0J
R 709	(B,29,28)	RS1/16SS0R0J

**CAPACITORS**

C 1806	(B,66,23)	CKSRYB104K16
C 1807	(B,71,20)	CKSRYB105K10
C 1941	(B,137,30) 10 uF	CCG1192

**Unit Number: CWX4023****Unit Name : CD Core Unit (S11.6STD)****MISCELLANEOUS**

IC 201	(B,23,37) IC	PE5791A
IC 301	(A,37,11) IC	BD8223EFV
Q 101	(B,11,53) Transistor	2SA1577
Q 102	(B,15,54) Transistor	LTA123JUB
X 201	(B,25,49) Ceramic Resonator	16.934 MHz CSS1603
S 901	(A,42,53) Spring Switch(HOME)	CSN1080
S 903	(B,21,12) Spring Switch(DSCSNS)	CSN1081
CN101	(A,16,58) Connector	CKS4808
CN701	(A,25,29) Connector	CKS6146

**RESISTORS**

R 101	(B,6,57)	RS1/10SR2R4J
R 102	(B,8,57)	RS1/10SR2R4J
R 103	(B,9,57)	RS1/10SR2R7J
R 108	(B,18,55)	RS1/16SS105J
R 109	(B,12,50)	RS1/16SS222J
R 201	(A,24,11)	RS1/16SS0R0J
R 202	(A,23,9)	RS1/16SS0R0J
R 214	(B,18,28)	RS1/16SS103J
R 215	(B,17,28)	RS1/16SS393J
R 216	(B,12,35)	RS1/16SS122J
R 217	(B,10,32)	RS1/16SS562J
R 218	(B,10,35)	RS1/16SS472J

**CAPACITORS**

C 104	(B,12,57)	CKSQYB475K6R3
C 203	(B,22,47)	CKSSYB104K10
C 209	(B,28,47)	CKSRYB104K16
C 210	(B,33,43)	CKSSYB104K10
C 211	(B,33,41)	CKSSYB104K10
C 212	(B,22,28)	CKSSYB104K10
C 213	(B,18,26)	CKSSYB332K50
C 214	(B,17,26)	CKSSYB473K16
C 215	(B,19,28)	CKSSYB104K10
C 216	(B,12,33)	CKSSYB182K50
C 217	(B,10,34)	CCSSCH560J50
C 218	(B,10,36)	CCSSCH4R0C50
C 219	(B,14,34)	CKSSYB104K10
C 220	(A,18,38)	CKSSYB104K10
C 221	(B,14,32)	CKSSYB104K10
C 222	(B,13,37)	CKSSYB104K10
C 223	(B,12,42)	CCSSCH680J50
C 224	(B,13,45)	CCSSCH470J50
C 225	(B,13,46)	CKSSYB103K16
C 228	(B,10,33)	CCSSCH270J50
C 229	(B,9,40)	CKSSYB104K10
C 233	(B,32,46)	CKSSYB103K16
C 236	(B,8,40)	CKSSYB104K10

5  
**Circuit Symbol and No.**

6  
**Part No.**

C 238	(A,25,44)	CKSRYB104K16
C 299	(A,26,41)	CKSSYB104K10
C 302	(B,28,12)	CKSSYB102K50
C 303	(B,29,12)	CKSSYB102K50
C 304	(B,27,12)	CKSSYB223K16
C 305	(B,26,12)	CKSRYB104K10
C 306	(A,31,7)	CKSSYB104K10
C 307	(A,41,19)	CKSRYB105K10
C 308	(A,31,15)	CKSRYB105K10
C 710	(A,34,42)	CKSSYB102K50

**Miscellaneous Parts List**

M 1	Pickup Unit(P10.6)(Service)	CXX3556
M 1	Motor Unit(SPINDLE)	CXE2273
M 2	Motor Unit(LOADING/CRG)	CXC4026