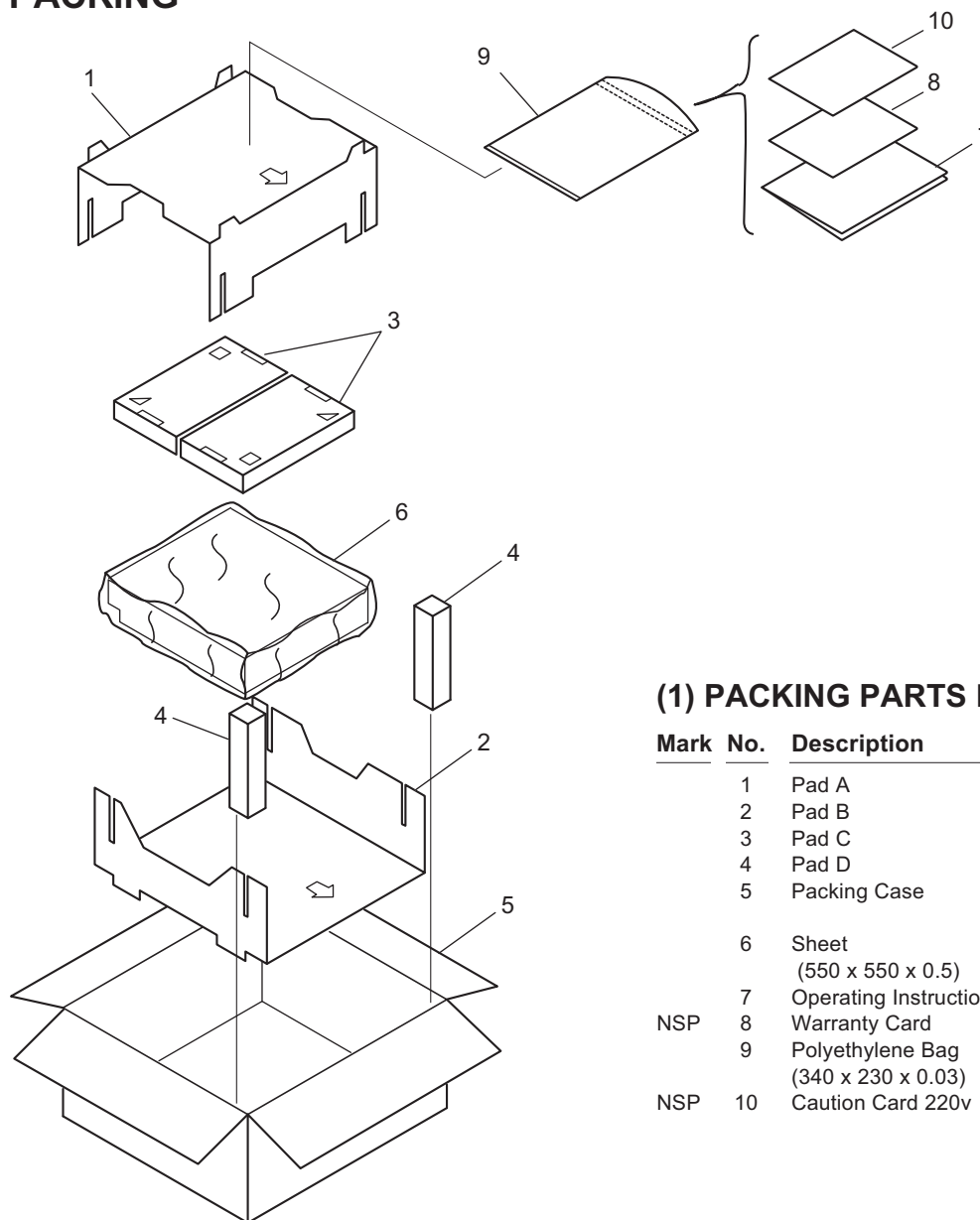


## 2. EXPLODED VIEWS AND PARTS LIST

- NOTES :
- Parts marked by “NSP” are generally unavailable because they are not in our Master Spare Parts List.
  - The  $\triangle$  mark found on some component parts indicates the importance of the safety factor of the part. Therefore, when replacing, be sure to use parts of identical designation.
  - Screw adjacent to  $\nabla$  mark on the product are used for disassembly.

### 2.1 PACKING



#### (1) PACKING PARTS LIST

Mark	No.	Description	Part No.
	1	Pad A	DHA1456
	2	Pad B	DHA1457
	3	Pad C	DHA1458
	4	Pad D	DHA1469
	5	Packing Case	See Contrast table (2)
	6	Sheet (550 x 550 x 0.5)	RHX1006
	7	Operating Instructions	See Contrast table (2)
NSP	8	Warranty Card	See Contrast table (2)
	9	Polyethylene Bag (340 x 230 x 0.03)	Z21-038
NSP	10	Caution Card 220v	See Contrast table (2)

#### (2) CONTRAST TABLE

DJM-600/KUC, RL and WY types are constructed the same except for the following:

Mark	No.	Symbol and Description	Part No.			Remarks
			KUC type	RL type	WY type	
	5	Packing Case	DHG1964	DHG1965	DHG1959	
	7	Operating Instructions (English/ French)	DRB1251	Not used	Not used	
	7	Operating Instructions ( English/ Spanish/Chinese)	Not used	DRB1253	Not used	
	7	Operating Instructions (English/ French/ German/Italian/Dutch/Spanish)	Not used	Not used	DRB1252	
NSP	8	Warranty Card	DRY1177	Not used	Not used	
NSP	10	Caution Card 220V	Not used	ARR7003	Not used	



**(1) EXTERIOR SECTION PARTS LIST**

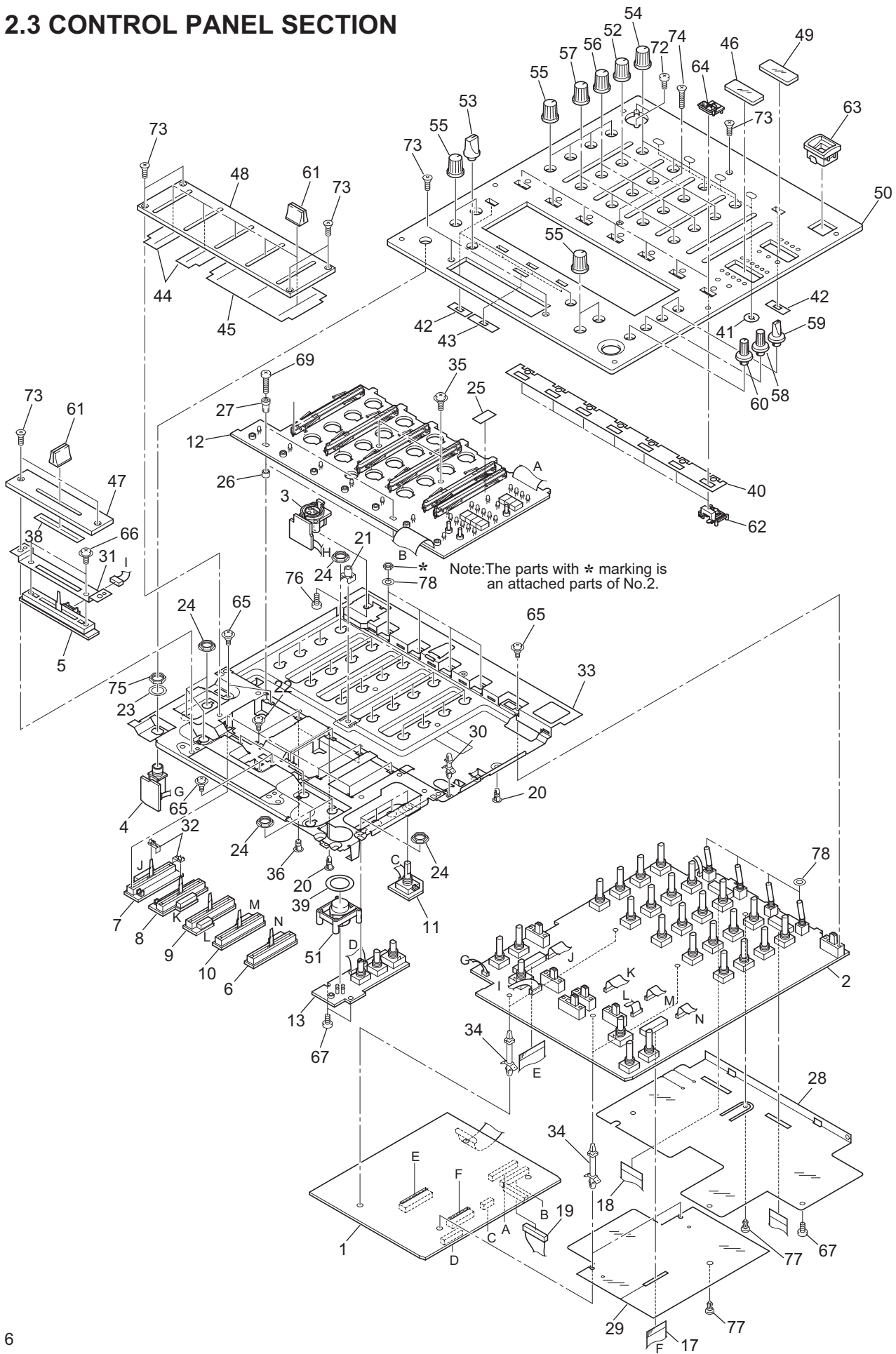
Mark	No.	Description	Part No.	Mark	No.	Description	Part No.
	1	19P F.F.C/60V	DDD1155		31	Screw	AMZ30P040FMC
	2	23P F.F.C/60V	DDD1154		32	Screw	BBZ30P060FZK
NSP	3	REG. ASSY	DWR1334		33	Screw	BBZ30P100FZK
NSP	4	TRANS ASSY	DWR1335		34	Screw	BBZ30P180FMC
NSP	5	POWER SW ASSY	DWR1333		35	Screw	BBZ40P060FMC
	6	POWER ASSY	See Contrast table (2)		36	Screw	BPZ30P080FZK
	7	TERMINAL ASSY	DWZ1089	NSP	37	Caution Label	See Contrast table (2)
	8	PHONE ASSY	DWZ1090		38	SW Sheet	See Contrast table (2)
NSP	9	BAL.OUT ASSY	DWZ1091		39	Nut	NKX2FUC
	10	Terminal Screw	AKE-031		40	•••••	
	11	Short Pin Plug	AKM7008		41	Binder	ZCA-SKB90BK
△	12	Strain Relief	See Contrast table (2)		42	Power Knob	DAC1847
△	13	Power Cord With Plug	See Contrast table (2)	NSP	43	Binder	AEC-036
△	14	Power Transformer	See Contrast table (2)		44	Foot Assy	REC-434
△	15	Fuse (1A: FU2)	See Contrast table (2)	NSP	45	PC Support	VEC1508
NSP	16	PCB Mould	AMR1525		46	Label	See Contrast table (2)
	17	Washer	DBE1010				
	18	Screw Guard	DEB1447				
NSP	19	PCB Spacer	DEC1389				
NSP	20	Card Spacer	DEC1649				
	21	PC Support	DEC1773				
	22	Sheet	DEC2375				
	23	Net	DED1129				
	24	Net	DED1152				
NSP	25	Chassis	See Contrast table (2)				
	26	SW Plate	DNF1653				
	27	Earth Plate	DNF1520				
	28	Power Cord Stay	DNF1640				
	29	Trans Shield	DNH2279				
	30	Cord Clamper	RNH1005				

**(2) CONTRAST TABLE**

DJM-600/KUC, RL and WY types are constructed the same except for the following:

Mark	No.	Symbol and Description	Part No.			Remarks
			KUC type	RL type	WY type	
	6	POWER ASSY	DWR1337	DWR1336	DWR1332	
△	12	Strain Relief	CM-22C	CM-22B	CM-22B	
△	13	Power Cord With Plug	ADG7024	VDG1061	VDG1061	
△	14	Power Transformer (AC120V)	DTT1158	Not used	Not used	
△	14	Power Transformer (AC110-120V/ 220-240V)	Not used	DTT1157	Not used	
△	14	Power Transformer (AC220-240V)	Not used	Not used	DTT1156	
△	15	Fuse (FU2: 1A)	REK1075	Not used	Not used	
△	15	Fuse (FU2: T500mA)	Not used	AEK1051	AEK1051	
	25	Chassis	DNA1258	DNA1259	DNA1256	
NSP	37	Caution Label	DRW1975	Not used	Not used	
	38	SW Sheet	Not used	DEC2384	Not used	
	46	Label	DRW1977	DRW1977	Not used	

2.3 CONTROL PANEL SECTION



**(1) CONTROL PANEL SECTION PARTS LIST**

Mark	No.	Description	Part No.	Mark	No.	Description	Part No.
	1	DSP ASSY	DWX1999	41	Lever SW Packing	DED1120	
	2	VR ASSY	DWG1517	42	Slide SW Packing B	DED1125	
	3	MIC JACK ASSY	DWZ1087	43	SW Packing A	DED1145	
	4	HP JACK ASSY	DWZ1088	44	Fader Packing A	DED1146	
	5	C.F ASSY	DWG1519	45	Fader Packing C	DED1147	
	6	FADER VR (MAIN) ASSY	DWG1520	46	Display Panel B	DAH1796	
	7	FADER VR (CH1) ASSY	DWG1521	47	Slider Panel	See Contrast table (2)	
	8	FADER VR (CH2) ASSY	DWG1522	48	Sub Panel	See Contrast table (2)	
	9	FADER VR (CH3) ASSY	DWG1523	49	Display Panel A	DAH1947	
	10	FADER VR (CH4) ASSY	DWG1524	50	Control Panel	See Contrast table (2)	
NSP	11	DIGITAL SW ASSY	DWG1525	51	Loop Knob	DNK2943	
	12	7SEG. ASSY	See Contrast table (2)	52	Rotary VR Knob G	DAA1133	
NSP	13	EFFECT ASSY	DWG1518	53	Rotary SW Knob	DAA1134	
	14	.....		54	Rotary VR Knob DG	DAA1135	
	15	.....		55	Rotary VR Knob B	DAA1136	
	16	.....		56	Rotary VR Knob GY	DAA1139	
	17	21P F.F.C/60V	DDD1156	57	Rotary VR Knob GG	DAA1140	
	18	28P F.F.C/60V	DDD1157	58	Parameter Knob A	DAA1146	
	19	Connector Assy	DKP3508	59	Rotary Select Knob	DAA1147	
	20	PCB Holder	AEC1534	60	Parameter Knob B	DAA1148	
NSP	21	PCB Mould	AMR1525	61	Fader Knob	DAC1846	
	22	Screw	DBA1141	62	Tact Knob 2	DAC1950	
	23	Washer	DBE1010	63	Power Knob Guide	DNK3768	
	24	Nut M9	DBN1004	64	Tact Knob Guide 2	DNK3775	
	25	Spacer	DEB1450	65	Screw	AMZ26P040FMC	
	26	Collar	DEC1953	66	Screw	AMZ30P040FMC	
	27	Bush	DEC1957	67	Screw	BBZ30P060FZK	
	28	PCB Sheet A	DEC2367	68	.....		
	29	PCB Sheet B	DEC2368	69	Screw	BBZ30P140FMC	
	30	Spacer	DEC2369	70	.....		
	31	Slider Plate	DNF1518	71	.....		
	32	Arm	DNK3750	72	Screw	BPZ30P080FZK	
NSP	33	Panel Stay Assy	DXB1731	73	Screw	CBZ30P080FZK	
NSP	34	PCB Support	REC1248	74	Screw	CBZ30P180FZK	
	35	Screw	VBA1039	75	Nut	NKX2FUC	
NSP	36	PC Support	VEC1749	76	Screw	PPZ30P050FMC	
	37	.....		77	Rivet	RBM-003	
	38	Fader Packing B	DED1100	78	Washer	WB50FMC	
	39	Effect SW Packing	DED1110				
	40	Tact SW Packing	DED1119				

**(2) CONTRAST TABLE**

DJM-600/KUC, RL and WY types are constructed the same except for the following:

Mark	No.	Symbol and Description	Part No.			Remarks
			KUC type	RL type	WY type	
	12	7 SEG ASSY	DWZ1093	DWZ1093	DWZ1092	
	47	Slider Panel	DAH1945	DAH1945	DAH1955	
	48	Sub Panel	DAH1946	DAH1946	DAH1956	
	50	Control Panel	DNB1075	DNB1075	DNB1076	

## 5. PCB PARTS LIST

NOTES : ● Parts marked by “NSP” are generally unavailable because they are not in our Master Spare Parts List.

● The  $\Delta$  mark found on some component parts indicates the importance of the safety factor of the part. Therefore, when replacing, be sure to use parts of identical designation.

● When ordering resistors, first convert resistance values into code form as shown in the following examples.

Ex. 1 When there are 2 effective digits (any digit apart from 0), such as 560 ohm and 47k ohm (tolerance is shown by J = 5%, and K = 10%).

560  $\Omega$   $\rightarrow$   $56 \times 10^1 \rightarrow$  561 ..... RD1/4PU  $\begin{matrix} 5 & 6 & 1 \\ \hline \end{matrix}$  J

47k  $\Omega$   $\rightarrow$   $47 \times 10^3 \rightarrow$  473 ..... RD1/4PU  $\begin{matrix} 4 & 7 & 3 \\ \hline \end{matrix}$  J

0.5  $\Omega$   $\rightarrow$  R50 ..... RN2H  $\begin{matrix} R & 5 & 0 \\ \hline \end{matrix}$  K

1  $\Omega$   $\rightarrow$  1R0 ..... RSIP  $\begin{matrix} 1 & R & 0 \\ \hline \end{matrix}$  K

Ex. 2 When there are 3 effective digits (such as in high precision metal film resistors).

5.62k  $\Omega$   $\rightarrow$   $562 \times 10^1 \rightarrow$  5621 ..... RN1/4PC  $\begin{matrix} 5 & 6 & 2 & 1 \\ \hline \end{matrix}$  F

### 5.1 LIST OF WHOLE PCB ASSEMBLIES

Mark	Symbol and Description	Part No.			Remarks
		DJM600 /KUC	DJM-600 /RL	DJM-600 /WY	
	DSP ASSY	DWX1999	DWX1999	DWX1999	
NSP	VR ASSY	DWM2109	DWM2109	DWM2109	
	└MIC JACK ASSY	DWZ1087	DWZ1087	DWZ1087	
	└HP JACK ASSY	DWZ1088	DWZ1088	DWZ1088	
	└VR ASSY	DWG1517	DWG1517	DWG1517	
NSP	SUB ASSY	DWX2069	DWX2069	DWX2001	
	└C.F ASSY	DWG1519	DWG1519	DWG1519	
	└FADER VR (CH1) ASSY	DWG1521	DWG1521	DWG1521	
	└FADER VR (CH2) ASSY	DWG1522	DWG1522	DWG1522	
	└FADER VR (CH3) ASSY	DWG1523	DWG1523	DWG1523	
	└FADER VR (CH4) ASSY	DWG1524	DWG1524	DWG1524	
	└FADER VR (MAIN) ASSY	DWG1520	DWG1520	DWG1520	
NSP	└DIGITAL SW ASSY	DWG1525	DWG1525	DWG1525	
NSP	└REG. ASSY	DWR1334	DWR1334	DWR1334	
NSP	└TRANS ASSY	DWR1335	DWR1335	DWR1335	
	└7 SEG ASSY	DWZ1093	DWZ1093	DWZ1092	
NSP	POWER ASSY	DWX2025	DWX2024	DWX2000	
NSP	└EFFECT ASSY	DWG1518	DWG1518	DWG1518	
NSP	└POWER SW ASSY	DWR1333	DWR1333	DWR1333	
	└POWER ASSY	DWR1337	DWR1336	DWR1332	
	└TERMINAL ASSY	DWZ1089	DWZ1089	DWZ1089	
	└PHONE ASSY	DWZ1090	DWZ1090	DWZ1090	
NSP	└BAL.OUT ASSY	DWZ1091	DWZ1091	DWZ1091	

### ■ CONTRAST OF PCB ASSEMBLIES

#### **P** 7 SEG ASSY

DWZ1093 and DWZ1092 are constructed the same except for the following:

Mark	Symbol and Description	Part No.		Remarks
		DWZ1093	DWZ1092	
	D707- D715, D722- D730, D737- D745 D752- D760, D767- D775, D782- D790	DEL1037	DEL1038	

#### **Q** POWER ASSY

DWR1337, DWR1336 and DWR1332 are constructed the same except for the following:

Mark	Symbol and Description	Part No.			Remarks
		DWR1337	DWR1336	DWR1332	
$\Delta$	S2 (Voltage Selector)	Not used	DSA1026	Not used	

Mark No.	Description	Part No.	Mark No.	Description	Part No.
----------	-------------	----------	----------	-------------	----------

## 5.2 PARTS LIST FOR DJM-600/KUC

### **D**VR ASSY

#### SEMICONDUCTORS

IC115, IC116 IC107, IC108 IC301 IC310, IC312 IC106, IC112, IC113, IC121, IC122	BU4053BCF M5283P NJM2068M NJM4556AD NJM4558MD
IC124, IC305 IC109, IC110, IC200, IC202-IC205 IC302-IC304, IC306, IC307, IC309 IC401-IC420 IC201	NJM4558MD NJM4580ED NJM4580ED NJM4580ED TC4S66F
IC101, IC102, IC105 IC111, IC311 IC103, IC104 IC308 Q303, Q304	TC9162AF TC9163AF TC9164AF TC9215AF 2SC2878
Q103, Q104 Q801-Q808 Q102 Q101 D301-D304	2SC3326 2SD2114K DTA124EK DTC124EK 1SS355

#### SWITCHES

S204, S205 S201-S203, S206, S301 S101 S401-S404	DSG1053 DSH1036 DSH1050 DSK1010
--	--

#### CAPACITORS

C104, C105, C107, C108 C132, C133, C135, C136 C142, C143, C172, C173 C386, C387 C103, C106, C131, C134, C141	CCSQCH101J50 CCSQCH101J50 CCSQCH101J50 CCSQCH101J50 CCSQCH102J50
C171, C385 C373, C374 C311 C163, C164, C174, C185 C367, C368	CCSQCH102J50 CCSQCH270J50 CCSQCH470J50 CCSLSL101J50 CCSLSL101J50
C113-C116, C1401, C1402 C147, C148, C153, C154 C205, C206, C213, C214 C251, C252, C304, C307 C331, C332, C359-C362	CCSLSL270J50 CCSLSL270J50 CCSLSL270J50 CCSLSL270J50 CCSLSL270J50
C401, C402, C415, C416 C429, C430, C443, C444 C457, C458, C471, C472 C485, C486 C405, C406, C433, C434	CCSLSL270J50 CCSLSL270J50 CCSLSL270J50 CCSLSL270J50 CCSLSL271J50
C461, C462, C489, C490 C175-C178, C211, C212 C305, C306, C308, C341-C350, C379, C380 C411, C412, C439, C440	CCSLSL271J50 CEAL100M16 CEAL100M16 CEAL100M16

C467, C468, C495, C496 C314, C369, C370 C1403, C1404, C417, C418 C445, C446, C473, C474 C243-C246	CEAL100M16 CEAL330M25 CEAL470M16 CEAL470M16 CEALNPR33M50
C125-C128, C149, C150 C155, C156, C181, C182 C377, C378 C363-C366	CEJA100M16 CEJA100M16 CEJA101M16 CEJA330M25
C407, C408, C435, C436 C463, C464, C491, C492 C312, C313, C316 C403, C404, C431, C432 C459, C460, C487, C488	CEWASR47M50 CEWASR47M50 CFTNA104J50-TD CFTNA473J50-TD CFTNA473J50-TD
C413, C414, C441, C442 C469, C470, C497, C498 C101, C102, C109-C112 C123, C124, C129, C130 C137-C140, C1405-C1414	CFTNA563J50-TD CFTNA563J50-TD CKSQYB103K50 CKSQYB103K50 CKSQYB103K50
C145, C146, C151, C152 C157, C158, C161, C162 C165, C166, C183, C184 C187-C196, C201-C204 C207-C210, C215, C216	CKSQYB103K50 CKSQYB103K50 CKSQYB103K50 CKSQYB103K50 CKSQYB103K50
C231, C232, C241, C242 C309, C310, C317-C320 C323, C324, C329, C330 C351-C358, C371, C372 C375, C376, C397, C398	CKSQYB103K50 CKSQYB103K50 CKSQYB103K50 CKSQYB103K50 CKSQYB103K50
C419-C428, C447-C456 C475-C484 C119, C120, C144, C221-C223 C381 C801-C808	CKSQYB103K50 CKSQYB103K50 CKSQYB104K25 CKSQYB104K25 CKSQYB224K16
C197, C198 C315 (4700P/50V) C409, C410, C437, C438 (5600P/50V) C465, C466, C493, C494 (5600P/50V) C321 (6800P/50V)	CKSQYB273K50 DCE1008 DCE1009 DCE1009 DCE1010

#### RESISTORS

R379, R380, R953, R954 (43Ω) R211, R212, R215, R216, R307 R321, R322, R365-R368 R373, R374 R141, R1417-R1419, R142	DCN1137 RN1/10SE1001D RN1/10SE1001D RN1/10SE1001D RN1/10SE1002D
R1420-R1428, R1431, R1432 R255, R256, R310, R311 R313, R314 R135, R136, R163, R164 R169, R170, R173-R178	RN1/10SE1002D RN1/10SE1002D RN1/10SE1002D RN1/10SE1003D RN1/10SE1003D
R259-R270, R320, R323, R324 R421, R422, R445, R446 R471, R472, R495, R496 R201, R202 R318	RN1/10SE1003D RN1/10SE1003D RN1/10SE1003D RN1/10SE1102D RN1/10SE1201D

# DJM-600

Mark No.	Description	Part No.
R137, R138 R411, R412, R435, R436 R461, R462, R485, R486 R139, R140 R353, R354, R357, R358		RN1/10SE1202D RN1/10SE1300D RN1/10SE1300D RN1/10SE1301D RN1/10SE1501D
R145, R146, R213, R214 R219, R220, R251, R252 R277, R278, R301, R302 R403, R404, R427, R428 R453, R454, R477, R478		RN1/10SE1502D RN1/10SE1502D RN1/10SE1502D RN1/10SE1502D RN1/10SE1502D
R407, R408, R415, R416 R431, R432, R439, R440 R457, R458, R465, R466 R481, R482, R489, R490 R387-R390		RN1/10SE1800D RN1/10SE1800D RN1/10SE1800D RN1/10SE1800D RN1/10SE1801D
R1429, R1430 R308 R125-R128, R143, R144 R159-R162, R203-R210 R217, R218, R225-R228		RN1/10SE2002D RN1/10SE2201D RN1/10SE2202D RN1/10SE2202D RN1/10SE2202D
R275, R276, R325-R340 R347-R350, R359-R364 R309 R381, R382 R129-R132, R801-R808		RN1/10SE2202D RN1/10SE2202D RN1/10SE2402D RN1/10SE2701D RN1/10SE2702D
R391, R392 R317, R341, R345, R346 R811-R818 R303, R304, R312, R315 R375, R376		RN1/10SE3001D RN1/10SE3002D RN1/10SE3002D RN1/10SE3301D RN1/10SE3602D
R257, R258 R401, R402, R425, R426 R451, R452, R475, R476 R253, R254 R316, R319		RN1/10SE3902D RN1/10SE4301D RN1/10SE4301D RN1/10SE4302D RN1/10SE4701D
R417, R418, R441, R442 R467, R468, R491, R492 R377, R378, R405, R406 R419, R420, R429, R430 R443, R444, R455, R456		RN1/10SE4702D RN1/10SE4702D RN1/10SE5101D RN1/10SE5101D RN1/10SE5101D
R469, R470, R479, R480 R493, R494 R133, R134, R179, R180 R305, R306, R409, R410 R433, R434, R459, R460		RN1/10SE5101D RN1/10SE5101D RN1/10SE5602D RN1/10SE6202D RN1/10SE6202D
R483, R484 R351, R352, R355, R356 R413, R414, R437, R438 R463, R464, R487, R488 VR301 (10kΩ-B)		RN1/10SE6202D RN1/10SE7501D RN1/10SE7502D RN1/10SE7502D DCS1050
VR302-VR304 (10kΩ-B) VR305, VR402-VR404, VR406-VR408 (10kΩ-B) VR410-VR412, VR414-VR416 (10kΩ-B) VR202, VR306, VR401, VR413 (10kΩ-B)		DCS1052 DCS1053 DCS1053 DCS1054
VR201 (10kΩ) Other Resistors		DCS1055 RS1/10S□□□ J

Mark No.	Description	Part No.
<b>OTHERS</b>		
	3P CABLE HOLDER	51048-0300
	6P CABLE HOLDER	51048-0600
	9P CABLE HOLDER	51048-0900
	10P CABLE HOLDER	51048-1000
CN102	CONNECTOR 19P	52492-1920
CN122	CONNECTOR 21P	52492-2120
CN101	CONNECTOR 23P	52492-2320
CN124	CONNECTOR 28P	52492-2820
J133-J135	6P JUMPER WIRE	D20PYY0605E
J132	9P JUMPER WIRE	D20PYY0905E
J131	10P JUMPER WIRE	D20PYY1005E
J110	CONNECTOR ASSY	DKP3509

## **N** EFFECT ASSY

### SEMICONDUCTORS

Q2173, Q2174	2SC1740S
D2171, D2172	BR3889S
D2173, D2174	PG3889S

### SWITCHES

S2172	ASX7011
S2173	DSG1063
S2171	DSG1068

### RESISTORS

VR2701 (10kΩ-B)	DCS1051
All Resistors	RS1/10S&&& J

### OTHERS

J118	11P CABLE HOLDER	51048-1100
	11P JUMPER WIRE	D20PYY1115E

## **L** C.F ASSY

### RESISTORS

VR1 (10kW-B)	DCV1006
--------------	---------

### OTHERS

CN110	6P CONNECTOR	173979-6
-------	--------------	----------

## **E** FADER VR (MAIN) ASSY

### RESISTORS

VR1005 (10kΩ-B)	DCV1010
-----------------	---------

### OTHERS

CN135	6PJUMPER CONNECTOR	52151-0610
-------	--------------------	------------

## **G** FADER VR (CH1) ASSY

### SEMICONDUCTORS

D1001	GP1S94
-------	--------

### RESISTORS

VR1001 (10kΩ-B)	DCV1010
-----------------	---------

Mark No.	Description	Part No.
<b>H</b>	<b>FADER VR (CH2) ASSY</b>	
	<b>SEMICONDUCTORS</b>	
	D1002	GP1S94
	<b>RESISTORS</b>	
	VR1002 (10kΩ-B)	DCV1010
	<b>OTHERS</b>	
	CN132 3PJUMPER CONNECTOR	52151-0910
<b>I</b>	<b>FADER VR (CH3) ASSY</b>	
	<b>RESISTORS</b>	
	VR1003 (10kΩ-B)	DCV1010
	<b>OTHERS</b>	
	CN133 6PJUMPER CONNECTOR	52151-0610
<b>J</b>	<b>FADER VR (CH4) ASSY</b>	
	<b>RESISTORS</b>	
	VR1004 (10kΩ-B)	DCV1010
	<b>OTHERS</b>	
	CN134 6PJUMPER CONNECTOR	52151-0610
<b>O</b>	<b>DIGITAL SW ASSY</b>	
	<b>SWITCHES AND RELAYS</b>	
	S2174 DSG1067	
	<b>OTHERS</b>	
	J141 5P CABLE HOLDER	51048-0500
	5P JUMPER WIRE	D20PYY0520E
<b>S</b>	<b>POWER SW ASSY</b>	
	<b>SWITCHES AND RELAYS</b>	
	△ S1 DSA1028	
	<b>CAPACITORS</b>	
	△ C1 (10000P/AC250V)	ACG7033
<b>R</b>	<b>REG. ASSY</b>	
	<b>SEMICONDUCTORS</b>	
	△ IC550	NJM7815FA
	△ IC552	NJM78M08FA
	△ IC551	NJM7915FA
	△ IC553	NJM79M08FA
	D573, D574	11EQS06
	<b>OTHERS</b>	
	J152 10P CABLE HOLDER	51048-1000
	10P JUMPER WIRE	D20PYY1020E
	HEAT SINK VR	VNH1049
<b>T</b>	<b>TRANS ASSY</b>	
	<b>OTHERS</b>	
	△ J8 5P CABLE HOLDER	51052-0500
	J4 CONNECTOR ASSEMBLY	DKP3507
	PARALLEL CORD	DXUY0515E

Mark No.	Description	Part No.
<b>Q</b>	<b>POWER ASSY</b>	
	<b>SEMICONDUCTORS</b>	
	△ IC555-IC557 (0.6A)	ICP-N15
	△ IC558 (2A)	ICP-N50
	△ IC561	NJM78M08FA
	△ IC554	PQ05RR12
	Q551	2SC2458
	△ Q550	2SD2395
	△ D563, D564	11E2
	△ D565, D571	11EQS06
	D562	1SS254
	△ D550	MTZJ6.2B
	△ D552	S2VB20
	△ D551	S2VB20-F1
	△ D559-D561	S5688G
	<b>COILS AND FILTERS</b>	
	△ L1	VTL-004
	<b>CAPACITORS</b>	
	△ C2, C3 (10000P/AC250V)	ACG7033
	C570	CEANP4R7M35
	C572	CEAT330M16
	C562	CEHAT101M10
	C554, C555	CEHAT101M16
	C564	CEHAT103M16
	C567	CEHAT221M16
	C561	CEHAT330M25
	C552, C553	CEHAT470M25
	C571	CEHAT4R7M50
	C558, C560, C568, C569	CKCYF103Z50
	C550, C551, C563	CKSQYB103K50
	C559, C565, C566	CKSQYF103Z50
	C556, C557 (3300μF/35V)	DCH1132
	<b>RESISTORS</b>	
	R551	RS1/10S103J
	R557-R559	RS1/10S223J
	Other Resistors	RD1/4PU□□□ J
	<b>OTHERS</b>	
	4P CABLE HOLDER	51048-0400
	△ CN152 10PJUMPER CONNECTOR	52147-1010
	CN2 3P CONNECTOR	B3P5-VH
	J121 JUMPER WIRE	D20PYY0420E
	HEAT SINK	DNG1066
	CN4 5P CONNECTOR	KPC5
	HEAT SINK	RFP1003
	△ CN1 AC CODE SOCKET	RKP1751
	H1, H2 FUSE HOLDER	RKR1003
	PCB BINDER	VEF1040
	KN501 PCB BINDER	VNF1084

# DJM-600

Mark No.	Description	Part No.
<b>M DSP ASSY</b>		
<b>SEMICONDUCTORS</b>		
	IC502	AK4520A
	IC515, IC517	BU4053BCF
△	IC513 (0.4A)	ICP-N10
	IC500	KM48V2100CS-6
△	IC526	M5237ML
	IC520, IC521	NJM2100M
	IC123, IC505, IC511, IC512, IC514	NJM4558MD
	IC518, IC519, IC523	NJM4558MD
△	IC527	NJM78M05FA
	IC510	PE5156B
	IC516	TC74HC74AF
	IC506	TC74HCT7007AF
	IC501	TC7S04F
	IC503, IC509	TC7WU04F
	IC507	TC9163AF
	IC504	XCB56364
	Q508	2SB1132
	Q505	2SC1740S
	Q504	2SC2458
	Q500, Q501, Q506, Q507	DTC124EK
	D701, D702	11E2
	D500–D502, D504, D505	1SS355
	D507–D510, D512–D515, D517	1SS355
	D519–D527, D532	1SS355
	D503, D506, D511, D516, D518	UDZS5.6B
	D533	UDZS5.6B
<b>COILS AND FILTERS</b>		
	L507	ATL7002
	L503	DTL1024
	L500, L502	LFA101J
	L504, L505, L510	QTL1013
<b>CAPACITORS</b>		
	C622, C646	CCSQCH100D50
	C690	CCSQCH102J50
	C505, C516, C625, C626	CCSQCH150J50
	C580, C581, C615	CCSQCH221J50
	C526, C528, C536, C538, C541	CCSQCH470J50
	C543, C545, C546	CCSQCH470J50
	C691, C698	CCSQSL101J50
	C679, C684	CCSQSL152J50
	C660, C661, C693, C695	CCSQSL270J50
	C502, C508	CCSQSL470J50
	C596, C598, C608, C609, C616	CCSRCH101J50
	C619, C620, C628, C630	CCSRCH101J50
	C637, C638, C642, C644, C650	CCSRCH101J50
	C652, C653, C656, C668	CCSRCH101J50
	C687	CCSRCH221J50
	C511, C521	CEANP100M16
	C701	CEAT100M50
	C509, C576, C585, C613, C663	CEAT101M10
	C689	CEAT101M10
	C702	CEAT221M6R3

Mark No.	Description	Part No.
	C600, C659, C669, C670	CEAT470M16
	C676, C677, C680	CEAT470M16
	C578, C589	CEHAT101M10
	C513, C522, C534, C539	CEHAT2R2M50
	C515, C519, C554, C555	CEJA100M16
	C557, C558, C562, C563	CEJA100M16
	C566, C567, C586, C632, C645	CEJA100M16
	C673, C692	CEJA100M16
	C672, C682	CEJA221M6R3
	C503, C547, C559	CEJA2R2M50
	C572	CEJA4R7M50
	C574	CKSQYB102K50
	C191, C192, C500, C501	CKSQYB103K50
	C506, C507, C512, C524, C525	CKSQYB103K50
	C529, C530, C532, C533, C537	CKSQYB103K50
	C540, C542, C544, C548–C553	CKSQYB103K50
	C556, C560, C561, C568–C571	CKSQYB103K50
	C577, C588, C591, C614, C623	CKSQYB103K50
	C633, C671, C674, C681, C694	CKSQYB103K50
	C699, C700, C703, C704, C732	CKSQYB103K50
	C798, C799	CKSQYB103K50
	C510, C514, C517, C518, C523	CKSQYB104K25
	C527, C531, C535, C564, C565	CKSQYB104K25
	C573, C575, C579, C582, C584	CKSQYB104K25
	C587, C592, C599, C627, C678	CKSQYB104K25
	C683, C688	CKSQYB104K25
	C504, C520	CKSQYB473K50
	C662	CKSRYB103K50
	C594, C595, C597, C610	CKSRYB104K16
	C617, C618, C621, C629, C631	CKSRYB104K16
	C636, C639, C641, C643, C651	CKSRYB104K16
	C654, C655, C657, C666, C686	CKSRYB104K16
	C664	CKSRYB562K50
<b>RESISTORS</b>		
	R665, R666, R683, R688, R757 (82Ω)	ACN7049
	R747–R753 (1kΩ)	ACN7060
	R754 (47kΩ)	ACN7077
	R501	RN1/10SE1001D
	R502, R508, R705, R710	RN1/10SE1002D
	R712, R713, R724, R733–R735	RN1/10SE1002D
	R680, R689	RN1/10SE1202D
	R707, R708, R716, R721, R727	RN1/10SE2202D
	R731	RN1/10SE2202D
	R505, R517	RN1/10SE2702D
	R714, R718, R719, R725	RN1/10SE3300D
	R529, R530, R679, R694	RN1/10SE4702D
	R673, R684	RN1/10SE6802D
	R709, R732	RN1/10SE8201D
	R504	RN1/10SE9101D
	R655	RS1/10S4301F
	R654	RS1/10S7501F
	R682	RS1/16S0R0J
	R726	RS1/16S105J
	R548	RS1/16S151J
	R601, R664, R677, R706	RS1/16S473J
	Other Resistors	RS1/10S□□□ J

Mark No.	Description	Part No.
<b>OTHERS</b>		
	13P CABLE HOLDER	51048-1300
CN141	5P JUMPER CONNECTOR	52147-0510
CN118	11PJUMPER CONNECTOR	52147-1110
CN116	16PJUMPER CONNECTOR	52147-1610
CN117	17PJUMPER CONNECTOR	52147-1710
CN522	CONNECTOR 21P	52492-2120
CN524	CONNECTOR 28P	52492-2820
J106	13P WIRE	D20PYY1340E
X502	4.19MHz	DSS1105
X501	20MHz	DSS1110
X500	16.9344MHz	PSS1008

**K MIC JACK ASSY**

**CAPACITORS**

C301	CKSQYB103K50
------	--------------

**OTHERS**

	3P CABLE HOLDER	51048-0300
J120	JUMPER WIRE	D20PYY0310E
CN301	CONNECTOR	DKN1136

**F HP JACK ASSY**

**CAPACITORS**

C382	CKCYF103Z50
------	-------------

**OTHERS**

	3P CABLE HOLDER	51048-0300
J109	JUMPER WIRE	D20PYY0310E
JA302	PHONE JACK	DKN1179

**A TERMINAL ASSY**

**SEMICONDUCTORS**

IC801-IC803	NJM2068M
IC804	NJM4580D
IC805-IC809	NJM4580ED
IC810	TC9215AF
Q801-Q808	2SC3326
D801-D804	1SS355

**COILS AND FILTERS**

△	L801-L804	VTL1105
---	-----------	---------

**CAPACITORS**

C851-C882, C891-C894	CCSQSL101J50
C994-C997	CEANPR33M50
C803, C804, C809, C810	CEAT100M50
C814, C815, C820, C821	CEAT100M50
C825, C826, C831, C832	CEAT100M50
C883-C890, C895, C896	CEAT100M50
C915, C916, C921-C924, C933	CEAT100M50
C935-C942, C944	CEAT100M50
C801, C802, C812, C813	CEAT220M25
C823, C824	CEAT220M25
C903, C904	CEJA100M16
C1901-C1903, C822, C898, C906	CKCYF103Z50
C925, C927, C929, C931	CKCYF103Z50
C837, C840	CKCYF473Z50
C833, C835, C836, C838, C839	CKSQYB103K50

Mark No.	Description	Part No.
	C841, C842, C850, C901, C902	CKSQYB103K50
	C905, C907, C909, C911	CKSQYB103K50
	C913, C914, C917-C920	CKSQYB103K50
	C990-C993	CKSQYB103K50
	C843-C846	CQMA152J50
	C805, C806, C816, C817	CQMA222J50
	C827, C828	CQMA222J50
	C807, C808, C818, C819	CQMA681J50
	C829, C830	CQMA681J50

**RESISTORS**

R873	RD1/4PU102J
R821, R822, R833, R834	RD1/4PU332J
R845, R846	RD1/4PU332J
R867-R870, R877, R878	RN1/10SE1000D
R880-R883	RN1/10SE1000D
R819, R820, R831, R832	RN1/10SE1001D
R843, R844	RN1/10SE1001D
R827, R828, R839, R840	RN1/10SE1203D
R851, R852	RN1/10SE1203D
R801-R804, R809, R810	RN1/10SE1302D
R813, R814, R890, R891	RN1/10SE1302D
R805-R808, R811, R812	RN1/10SE1502D
R815, R816, R892, R893	RN1/10SE1502D
R912, R913	RN1/10SE1502D
R857-R860, R865, R866	RN1/10SE4300D
R907, R908	RN1/10SE4300D
R871, R872	RN1/10SE4302D
R1801, R1802, R1807, R1808	RN1/10SK7503D
R1813, R1814, R825, R826	RN1/10SK7503D
R837, R838, R849, R850	RN1/10SK7503D
VR801 (10kΩ)	DCS1056
Other Resistors	RS1/10S□□□ J

**OTHERS**

CN107	7P JUMPER CONNECTOR	52147-0710
CN106	13P JUMPER CONNECTOR	52147-1310
CN15116P	JUMPER CONNECTOR	52147-1610
CN801-CN804, CN807	4P PIN JACK	AKB7015
CN112	19P CONNECTOR	HLEM19S-1
CN111	23P CONNECTOR	HLEM23S-1
JA805, JA806	REMO. JACK	RKN1004
	PCB BINDER	VEF1040
KN801	EARTH METAL FITTING	VNF1084

# DJM-600

Mark No.	Description	Part No.
<b>B PHONE ASSY</b>		
<b>SEMICONDUCTORS</b>		
IC604		BU4066BC
IC605		NJM2068D
IC231		NJM4556AD
IC232, IC233		NJM4556AL
IC601-IC603		NJM4558DX
IC606		NJM4580D
Q231-Q234, Q602-Q613		2SC2878
Q601		DTA124ES
D1601-D1608		1SS355
<b>CAPACITORS</b>		
C604		CCCSL220J50
C642-C645		CCCSL270J50
C233-C240		CCSQCH151J50
C602, C613, C614, C621, C622		CCSQSL101J50
C629, C630, C646-C652		CCSQSL101J50
C253, C254		CEALNPR33M50
C640, C641, C661-C664		CEANPR33M50
C603, C607-C609, C619, C620		CEAT100M50
C625, C626, C631, C632		CEAT100M50
C636, C637, C653, C654, C656		CEAT100M50
C243-C246		CEAT101M25
C601, C660		CGCYX104K25
C612, C635		CKCYF103Z50
C634		CKCYF473Z50
C1201, C1202, C231, C232, C241		CKSQYB103K50
C247, C605, C606, C610, C611		CKSQYB103K50
C617, C618, C623, C624		CKSQYB103K50
C627, C628, C638, C639		CKSQYB103K50
<b>RESISTORS</b>		
R253-R256		RN1/10SE1003D
R265, R266, R675, R676		RN1/10SE1502D
R233-R240		RN1/10SE2201D
R249-R252		RN1/10SE2700D
R631-R634		RN1/10SE4300D
R1601-R1604		RN1/10SE4302D
R241-R248		RN1/10SE5101D
R1606-R1608, R1610-R1612		RS1/10SOR0J
R635, R636, R659, R660		RS1/10S104J
R663, R664		RS1/10S104J
R614, R658, R673, R674		RS1/10S473J
R261-R264, R637-R640		RS1/10S912J
R651-R654, R657, R668-R670		RS1/10S912J
Other Resistors		RD1/4PU&&& J
<b>OTHERS</b>		
	7P CABLE HOLDER	51048-0700
	16P CABLE HOLDER	51048-1600
CN121	4P JUMPER CONNECTOR	52147-0410
CN108	6P JUMPER CONNECTOR	52147-0610
J107	7P JUMPERWIRE	D20PYY0710E
J151	16P JUMPERWIRE	D20PYY1610E
JA607	MIC JACK	DKN1189
JA605	2P PINJACK	VKB1031
JA601-JA604	MIC JACK	VKN1147
KN601	EARTH METAL FITTING	VNF1084

Mark No.	Description	Part No.
<b>C BAL. OUT ASSY</b>		
<b>CAPACITORS</b>		
	C249-C252	CKCYF103Z50
<b>RESISTORS</b>		
	All Resistors	RD1/4PU□□□ J
<b>OTHERS</b>		
	6P CABLE HOLDER	51048-0600
J108	6P JUMPER WIRE	D20PYY0610E
JA231, JA232	3P CONNECTOR	DKN1201
<b>P 7 SEG ASSY</b>		
<b>SEMICONDUCTORS</b>		
IC701, IC702		LB1740
Q701-Q712		2SD1919
D801-D810		1SS254
D707-D715, D722-D730		DEL1037
D737-D745, D752-D760		DEL1037
D767-D775, D782-D790		DEL1037
D701-D706, D716-D721		DEL1039
D731-D736, D746-D751		DEL1039
D761-D766, D776-D781		DEL1039
D662-D664, D695-D698		NKR131S
D665-D670, D672-D677		SLR-342DUTB7
D683-D686		SLR-342DUTB7
D671, D681, D682, D792-D796		SLR-342VRTB7
<b>SWITCHES</b>		
	S652-S654, S657-S660	ASG7005
	S655, S661, S662	VSG1010
<b>CAPACITORS</b>		
	C702, C703	CKPUYF103Z25
<b>RESISTORS</b>		
	All Resistors	RD1/4PU□□□ J
<b>OTHERS</b>		
J116	16P JUMPER WIRE	D20PWY1625E
J117	17P JUMPER WIRE	D20PWY1735E
	LEVEL METER HOLDER	DNK3757

## 6. ADJUSTMENT

There is no information to be shown in this chapter.