
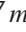


9. EXPLODED VIEWS AND PARTS LIST

NOTES : • Parts marked by " * " are generally unavailable because they are not in our Master Spare Parts List.

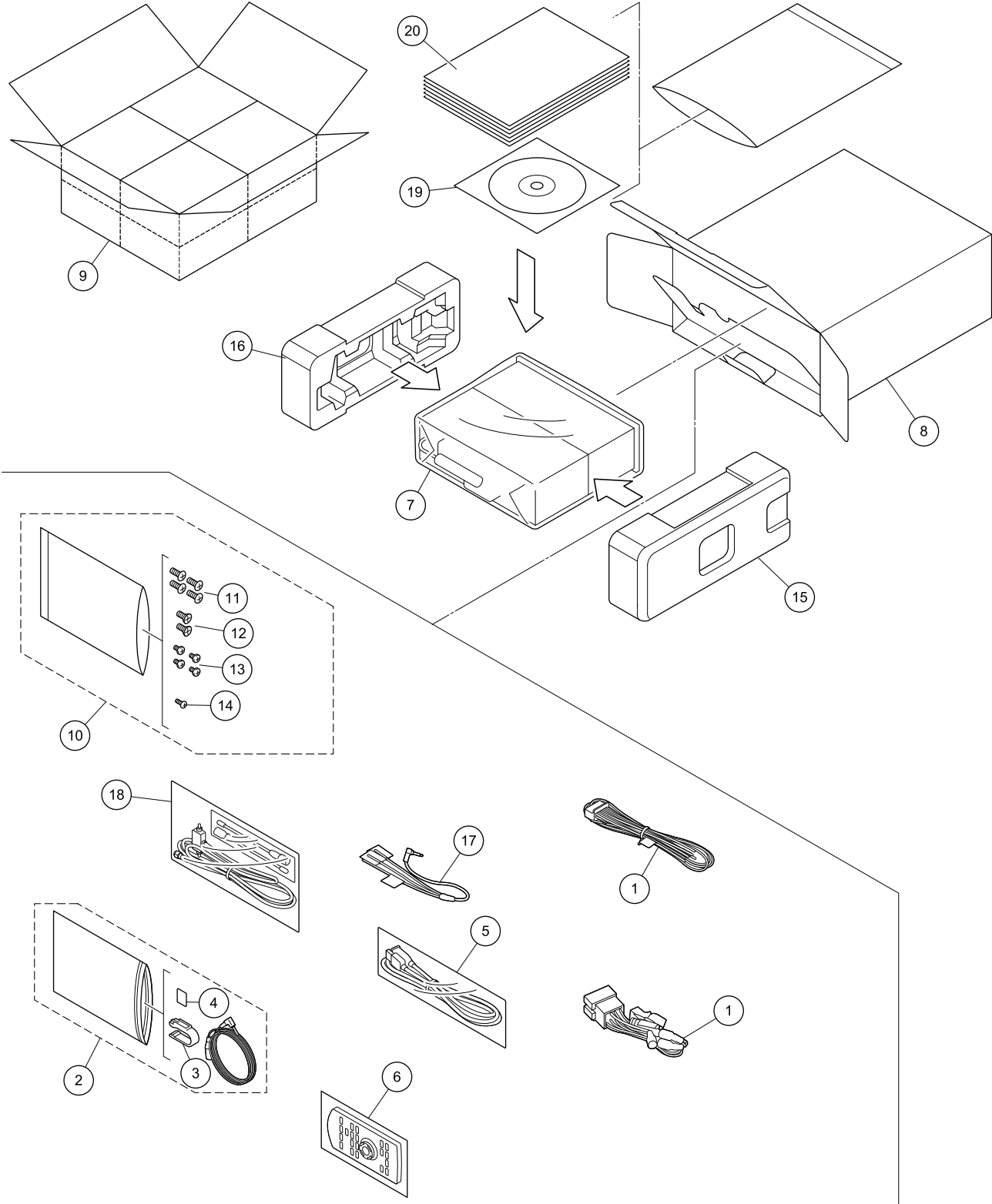
• The  mark found on some component parts indicates the importance of the safety factor of the part. Therefore, when replacing, be sure to use parts of identical designation.

• Screw adjacent to  mark on the product are used for disassembly.

• For the applying amount of lubricants or glue, follow the instructions in this manual.

(In the case of no amount instructions, apply as you think it appropriate.)

9.1 PACKING



(1) PACKING SECTION PARTS LIST

<u>Mark No.</u>	<u>Description</u>	<u>Part No.</u>	<u>Mark No.</u>	<u>Description</u>	<u>Part No.</u>
1	Cord Assy	See Contrast table (2)	14	Screw	See Contrast table (2)
2	Microphone Assy	CPM1083	15	Protector	CHP4684
3	Holder	CZN7192			
4	Cushion	CZN7193	16	Protector	CHP4685
5	USB Extended Cable	CDP1587	17	Cord Assy	See Contrast table (2)
			18	Rod Antenna	See Contrast table (2)
6	Card Remote Control Unit	See Contrast table (2)	19	IM CD-ROM	See Contrast table (2)
7	Cover	See Contrast table (2)	* 20-1	Warranty Card	See Contrast table (2)
8	Unit Box	See Contrast table (2)			
9	Contain Box	See Contrast table (2)	20-2	Owner's Manual	See Contrast table (2)
10	Screw Assy	See Contrast table (2)	20-3	Installation Manual	See Contrast table (2)
			20-4	Quick Start Guide	See Contrast table (2)
11	Screw	BMZ50P060FTC	* 20-5	Caution Card	See Contrast table (2)
12	Screw	CMZ50P060FTC	* 20-6	Caution Card	See Contrast table (2)
13	Screw (M4 x 3)	CBA1870			

(2) CONTRAST TABLE

AVH-X7800BT/XNUC, AVH-X7800BT/XNEU5, AVH-X7800BT/XNUR AVH-X7850BT/XNRC, AVH-X7850BT/XNRD, AVH-X7850TV/XNRD and AVH-X7850BT/XNRI are constructed the same except for the following:

<u>Mark</u>	<u>No.</u>	<u>Description</u>	<u>AVH-X7800BT/ XNUC</u>	<u>AVH-X7800BT/ XNEU5</u>	<u>AVH-X7800BT/ XNUR</u>	<u>AVH-X7850BT/ XNRC</u>
	1	Cord Assy	CDP1665	CDP1670	CDP1670	CDP1665
	6	Card Remote Control Unit	CXE5116	Not used	Not used	CXE5116
	7	Cover	CEG1544	CEG1474	CEG1474	CEG1474
	8	Unit Box	CHG9166	CHG9164	CHG9165	CHG9167
	9	Contain Box	CHL9166	CHL9164	CHL9165	CHL9167
*	10	Screw Assy	CEV5886	Not used	Not used	Not used
	14	Screw	BPZ20P060FTC	Not used	Not used	Not used
	17	Cord Assy	Not used	Not used	Not used	CDP1655
	18	Rod Antenna	Not used	Not used	Not used	Not used
	19	IM CD-ROM	Not used	CRI1001	Not used	Not used
*	20-1	Warranty Card	QRY3001	CRY1376	CRY1376	Not used
	20-2	Owner's Manual	CRD4918	Not used	CRB4719	CRD4919
	20-3	Installation Manual	Not used	CRD4917	Not used	Not used
	20-4	Quick Start Guide	Not used	CRD4916	Not used	Not used
*	20-5	Caution Card	Not used	CRP1436	Not used	Not used
*	20-6	Caution Card	Not used	CRP1441	Not used	Not used

<u>Mark</u>	<u>No.</u>	<u>Description</u>	<u>AVH-X7850BT/ XNRD</u>	<u>AVH-X7850TV/ XNRD</u>	<u>AVH-X7850BT/ XNRI</u>
	1	Cord Assy	CDP1665	CDP1665	CDP1665
	6	Card Remote Control Unit	CXE5116	CXE5116	CXE5116
	7	Cover	CEG1474	CEG1474	CEG1474
	8	Unit Box	CHG9168	CHG9170	CHG9169
	9	Contain Box	CHL9168	CHL9170	CHL9169
	10	Screw Assy	Not used	Not used	Not used
	14	Screw	Not used	Not used	Not used
	17	Cord Assy	Not used	Not used	CDP1655
	18	Rod Antenna	Not used	CXE7989	Not used
	19	IM CD-ROM	Not used	Not used	Not used
*	20-1	Warranty Card	Not used	Not used	Not used
	20-2	Owner's Manual	CRD4920	CRD4920	CRD4921
	20-3	Installation Manual	Not used	Not used	Not used
	20-4	Quick Start Guide	Not used	Not used	Not used
*	20-5	Caution Card	Not used	Not used	Not used
*	20-6	Caution Card	Not used	Not used	Not used

Owner's Manual, Installation Manual

Part No.	Language
CRB4719	Russian
CRD4916	English, French, Italian, Spanish(Espanol), German, Dutch
CRD4917	English, French, Italian, Spanish(Espanol), German, Dutch
CRD4918	English, French, Spanish(Espanol)
CRD4919	English, Traditional Chinese
CRD4920	English, Spanish(Espanol), Portuguese(B)
CRD4921	English, Arabic, Persian

CONTENTS OF CD-ROM (Operation Manual), CRI1001

Part No.	Language
*CRB4706	English
*CRB4707	French
*CRB4708	Italian
*CRB4709	Spanish(Espanol)
*CRB4710	German
*CRB4711	Dutch
*CRB4712	Swedish
*CRB4713	Norwegian
*CRB4714	Finnish
*CRB4715	Danish
*CRB4716	Portuguese
*CRB4717	Greek
*CRB4718	Turkish

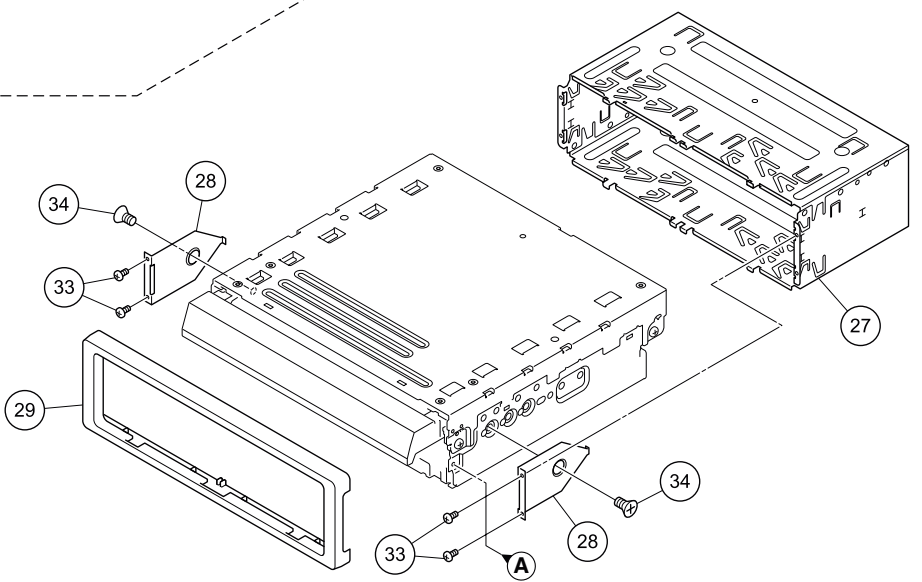
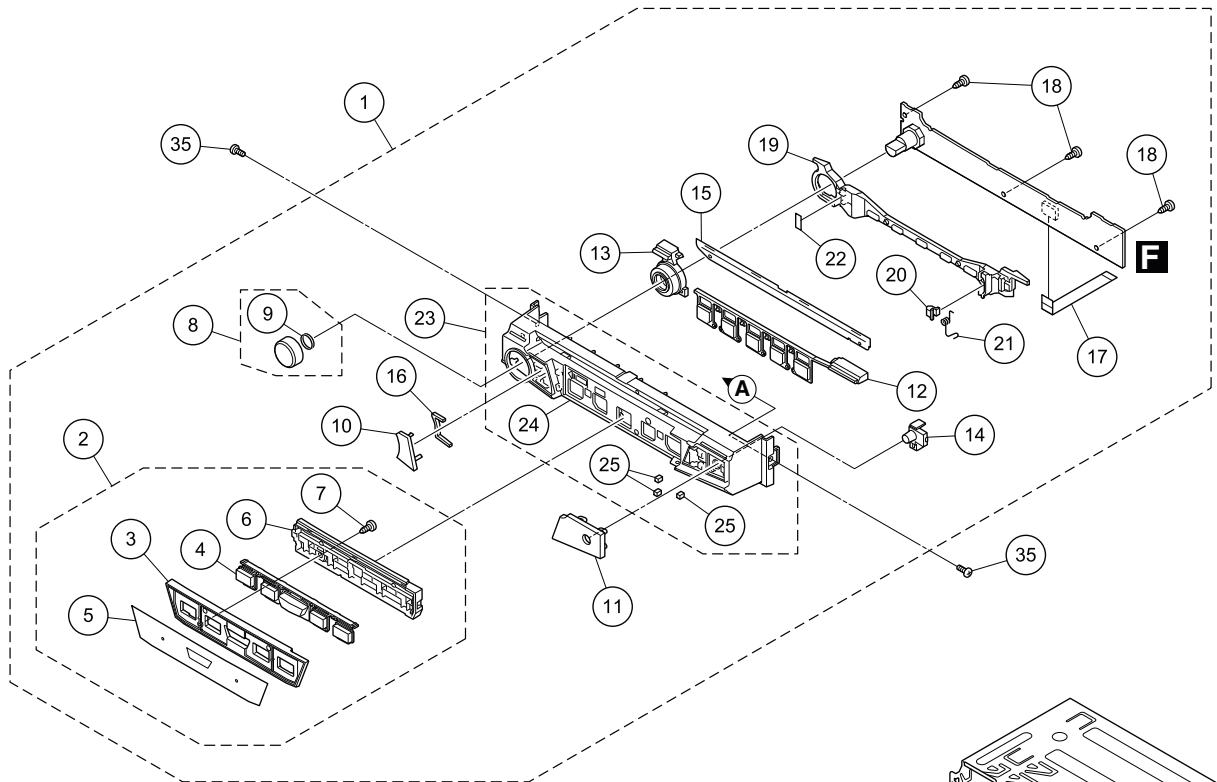
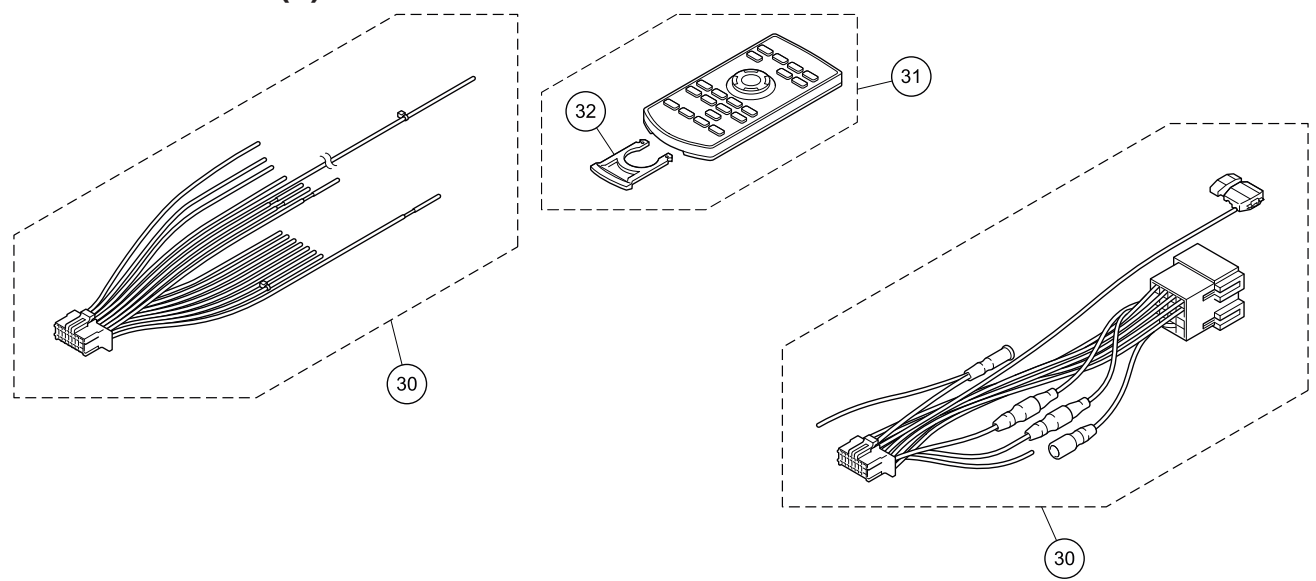
**All operation manuals are supplied in PDF files by the CD-ROM.
Regarding the availability of paper manual, contact Pioneer Service representative in your region.**

5
9.2 EXTERIOR (1)

6

7

8



5

6

7

8

(1) EXTERIOR (1) SECTION PARTS LIST

<u>Mark No.</u>	<u>Description</u>	<u>Part No.</u>	<u>Mark No.</u>	<u>Description</u>	<u>Part No.</u>
1	Grille Assy	See Contrast table (2)	19	Lighting Conductor	CNW3300
2	Detach Grille Assy	See Contrast table (2)	20	Arm	CNV9891
3	Grille	CNU2892			
4	Button	CAI4446	21	Spring	CBH2997
5	Plate	See Contrast table (2)	22	Sheet	CNN4939
			23	Service Grille Unit	CXX7710
6	Cover	CNU2893	24	Grille Unit	CXE7594
7	Screw	BPZ20P060FTC	25	Cushion	QNM3094
8	Knob Unit	CXE5949			
9	Spring	YBL5010	26	*****	
10	Button (DISP)	CAI4443	27	Holder	CND3854
			28	Bracket	CND3855
11	Button (EJECT)	CAI4444	29	Panel	CNU2269
12	Button	CAI4445	30	Cord Assy	See Contrast table (2)
13	Lighting Conductor	CNW3299			
14	Lighting Conductor	CNW3301	31	Card Remote Control Unit	See Contrast table (2)
15	Cover	CNN4266	32	Battery Cover	See Contrast table (2)
			33	Screw	BMZ20P025FTC
16	Cushion	CNN4832	34	Screw	CMZ50P060FTC
17	FFC	CDD1065	35	Screw	ISS26P055FTC
18	Screw	BPZ20P060FTC			

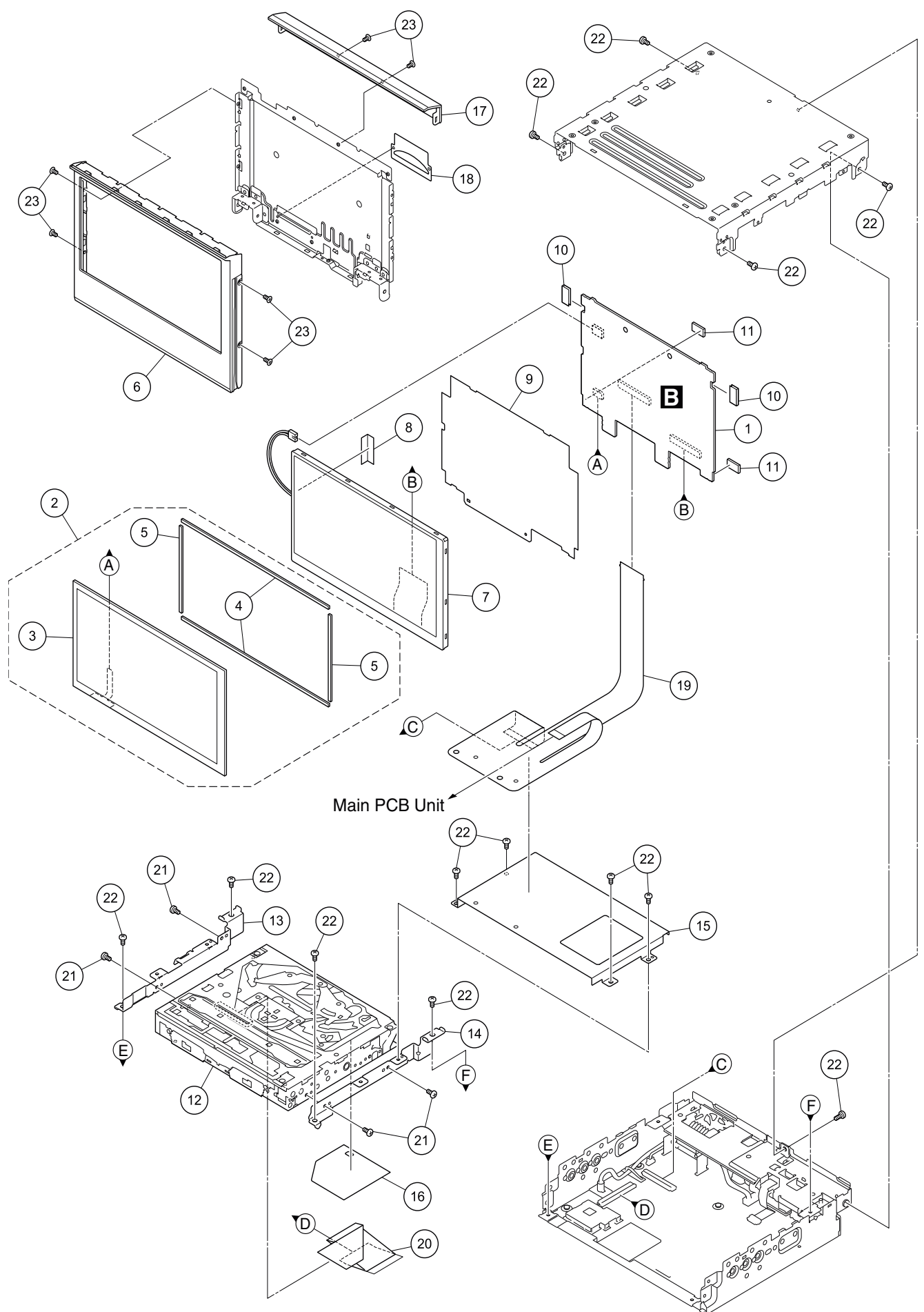
(2) CONTRAST TABLE

AVH-X7800BT/XNUC, AVH-X7800BT/XNEU5, AVH-X7800BT/XNUR, AVH-X7850BT/XNRC, AVH-X7850BT/XNRD, AVH-X7850TV/XNRD and AVH-X7850BT/XNRI are constructed the same except for the following:

Mark	No.	Description	AVH-X7800BT/ XNUC	AVH-X7800BT/ XNEU5	AVH-X7800BT/ XNUR	AVH-X7850BT/ XNRC
	1	Grille Assy	CXE8940	CXE8940	CXE8940	CXE8941
	2	Detach Grille Assy	CXE8946	CXE8946	CXE8946	CXE8947
	5	Plate	CNN5175	CNN5175	CNN5175	CNN5176
	30	Cord Assy	CDP1665	CDP1670	CDP1670	CDP1665
	31	Card Remote Control Unit	CXE5116	Not used	Not used	CXE5116
	32	Battery Cover	CNU1624	Not used	Not used	CNU1624

Mark	No.	Description	AVH-X7850BT/ XNRD	AVH-X7850TV/ XNRD	AVH-X7850BT/ XNRI
	1	Grille Assy	CXE8941	CXE8942	CXE8941
	2	Detach Grille Assy	CXE8947	CXE8948	CXE8947
	5	Plate	CNN5176	CNN5177	CNN5176
	30	Cord Assy	CDP1665	CDP1665	CDP1665
	31	Card Remote Control Unit	CXE5116	CXE5116	CXE5116
	32	Battery Cover	CNU1624	CNU1624	CNU1624

9.3 EXTERIOR (2)

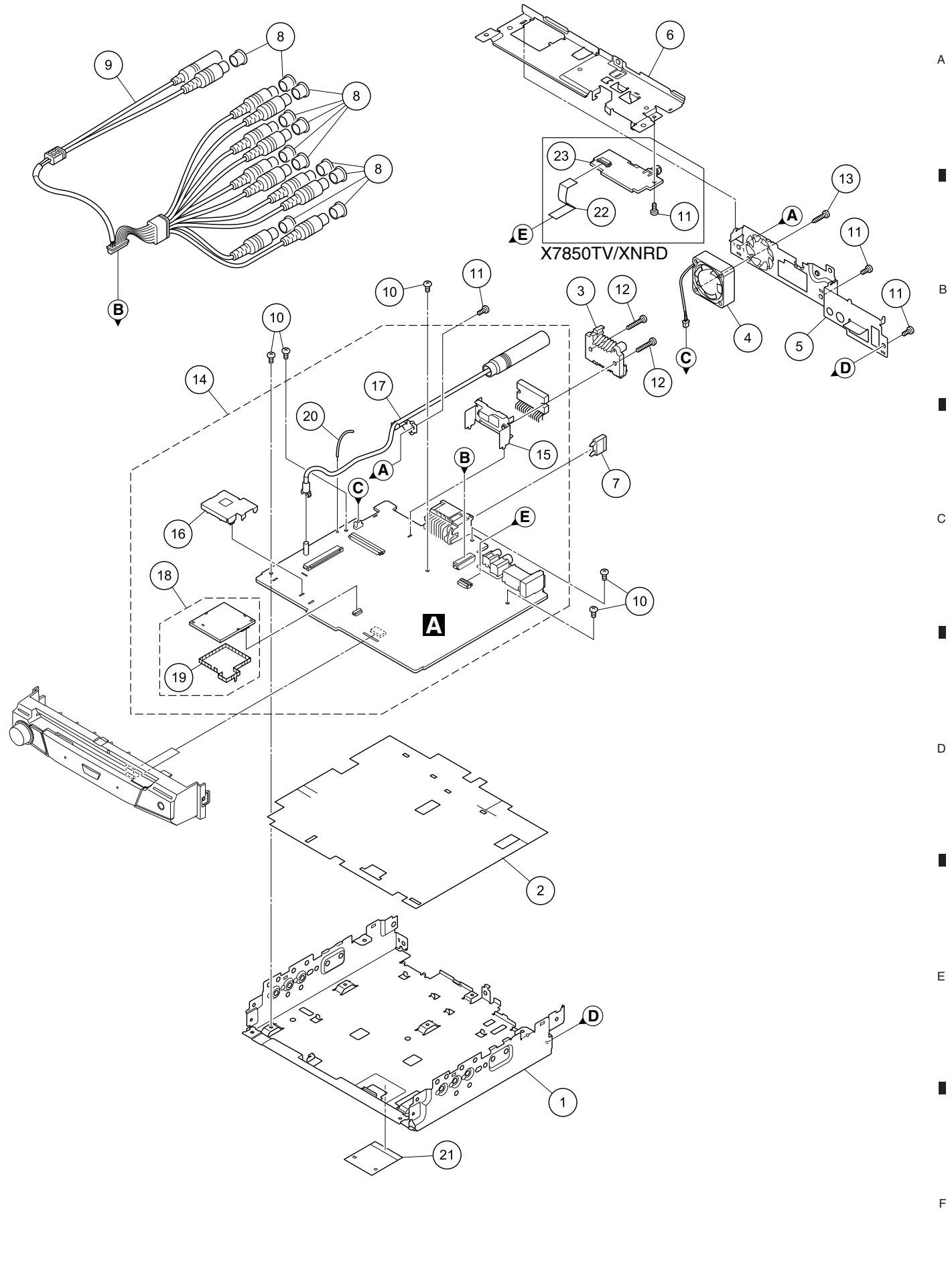


EXTERIOR (2) SECTION PARTS LIST

	<u>Mark No.</u>	<u>Description</u>	<u>Part No.</u>	
A	1	Monitor Unit	CWN9688	
	2	Touch Panel Assy	CXE8979	
	3	Touch Panel	CSX1326	
	4	Cushion	CNN5207	
	5	Cushion	CNN5208	
	6	Grille		
		X7800BT/XNUC	CNU2178	
		X7800BT/XNEU5	CNU3031	
		X7800BT/XNUR	CNU3031	
B		X7850BT/XNRC	CNU2178	
		X7850BT/XNRD	CNU2178	
		X7850TV/XNRD	CNU2178	
		X7850BT/XNRI	CNU2178	
	7	TFT LCD	CWX4352	
	8	Sheet	CNN1694	
	9	Insulator	CNN4259	
	10	Sheet	CNN1750	
	11	Gasket	CNN5244	
	12	DVD Mechanism Module (MS7.3)	CXK6920	
	C	13	Bracket	CND6668
		14	Bracket	CND6669
		15	Bracket	CND6667
		16	Insulator	CNN2764
		17	Cover	CNU3032
		18	Sheet	CNN4437
		19	FPC	CNQ7214
		20	FFC	CDD1066
		21	Screw	BMZ20P025FTC
D	22	Screw	BSZ26P060FTC	
	23	Screw (M2 x 2)	CBA1872	
E				
F				

5 6 7 8

9.4 EXTERIOR (3)



(1) EXTERIOR (3) SECTION PARTS LIST

<u>Mark No.</u>	<u>Description</u>	<u>Part No.</u>	<u>Mark No.</u>	<u>Description</u>	<u>Part No.</u>	
1	Chassis	CNA3339	13	Screw	BPZ26P080FTC	
2	Insulator	CNN4835	14	Mother Unit	See Contrast table (2)	
3	Heat Sink	CNR2177	15	Holder	CND6671	
4	Fan Motor	CXM1460				
5	Holder	See Contrast table (2)	16	Shield Case	CND7316	
			17	Antenna Cable	CDH1390	
6	Holder	CND7195	18	BT Module	CWX4773	
7	Fuse (10 A)	YEK5001	19	Shield Case	YNC5123	
8	Cap	CNV6727	20	Clamper (CN2201)	CEF1046	
9	Cord Assy	CDF1179				
10	Screw	BMZ26P040FTC	21	Sheet	CNN4834	
			*	22	FFC	See Contrast table (2)
11	Screw	BSZ26P060FTC	23	DTT Tuner	See Contrast table (2)	
12	Screw	BSZ26P160FTC				

(2) CONTRAST TABLE

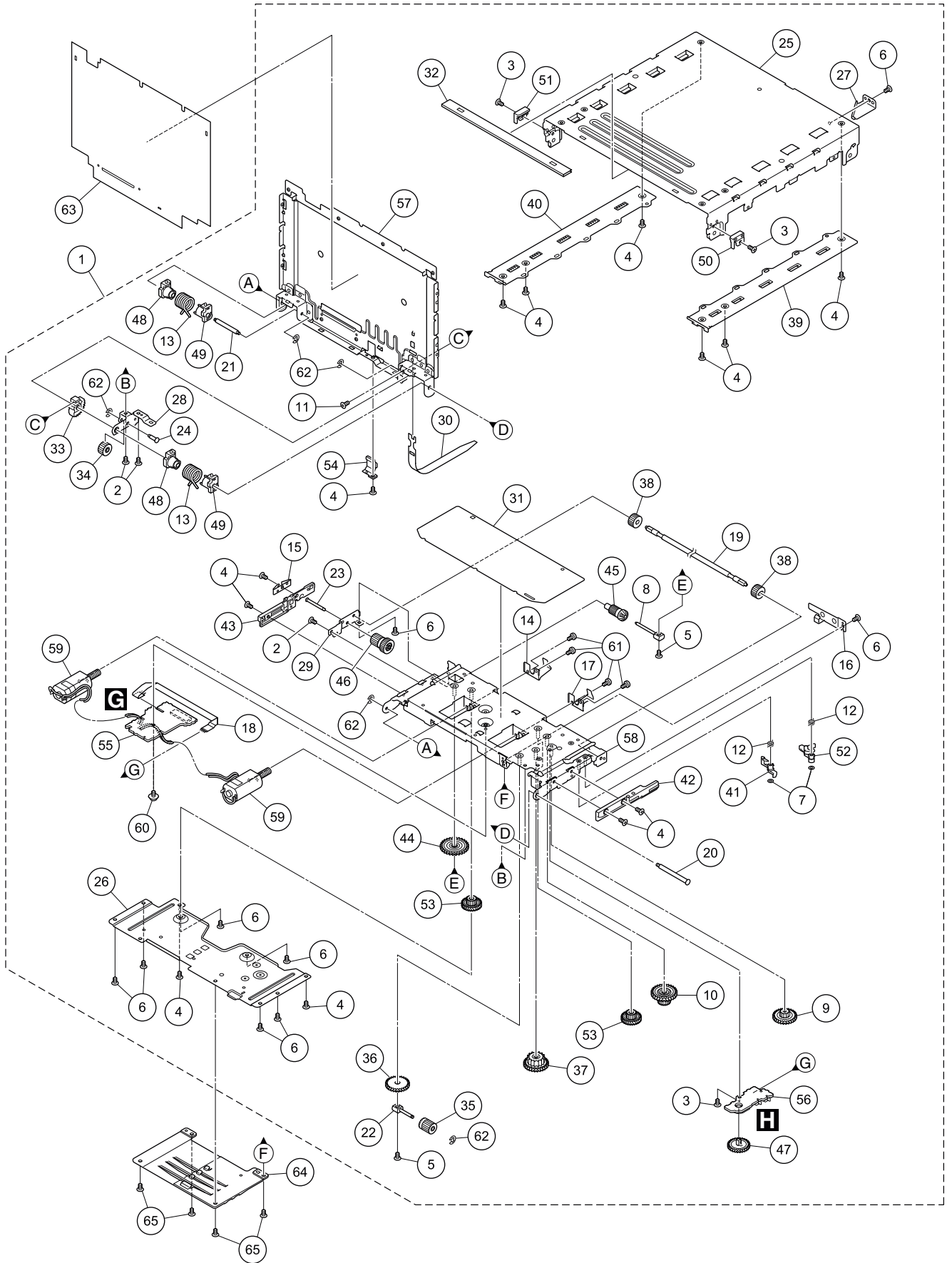
AVH-X7800BT/XNUC, AVH-X7800BT/XNEU, AVH-X7800BT/XNUR, AVH-X7850BT/XNRC, AVH-X7850BT/XNRD, AVH-X7850TV/XNRD and AVH-X7850BT/XNRI are constructed thesame except for the following

Mark	No.	Description	AVH-X7800BT/ XNUC	AVH-X7800BT/ XNEU	AVH-X7800BT/ XNUR	AVH-X7850BT/ XNRC
	5	Holder	CND7192	CND7192	CND7192	CND7192
	14	Mother Unit	CWN9677	CWN9678	CWN9679	CWN9680
*	22	FFC	Not used	Not used	Not used	Not used
	23	DTT Tuner	Not used	Not used	Not used	Not used

Mark	No.	Description	AVH-X7850BT/ XNRD	AVH-X7850TV/ XNRD	AVH-X7850BT/ XNRI
	5	Holder	CND7192	CND7194	CND7192
	14	Mother Unit	CWN9681	CWN9684	CWN9682
*	22	FFC	Not used	CDD1067	Not used
	23	DTT Tuner	Not used	CWE2519	Not used

9.5 EXTERIOR (4)

The application position of grease is referred to page 69 and page 70.



EXTERIOR (4) SECTION PARTS LIST

	<u>Mark No.</u>	<u>Description</u>	<u>Part No.</u>	<u>Mark No.</u>	<u>Description</u>	<u>Part No.</u>
A	1	Display Module Unit	CXE5803	50	Guide	ENV3035
	2	Screw	CBA1608			
	3	Screw (M2 x 1.5)	CBA1615	51	Guide	ENV3036
	4	Screw (M2 x 3)	CBA1877	52	Arm	ENV3037
	5	Screw (M2.3 x 6)	CBA2027	53	Gear	ENV3038
				54	Lever	ENV3039
	6	Screw (M2 x 2)	CBA2129	55	Main PCB Unit	EWX2008
	7	Washer	CBF1038			
	8	Shaft	CLA4821	56	SW PCB Unit	EWX2009
	9	Gear	CNR1862	57	Case Unit	EXA4010
	10	Gear	CNV8980	58	Frame Unit	EXA4011
B				59	Motor Unit	EXA4013
	11	Screw	EBA2003	60	Screw	IMS20P030FTC
	12	Torsion Spring	EBH3010			
	13	Torsion Spring	EBH3011	61	Screw	JGZ20P025FTC
	14	Plate Spring	EBL2005	62	Washer	YE15FTC
	15	Plate Spring	EBL2006	63	Insulator	CNN4260
				64	Cover	CNW2687
	16	Plate Spring	EBL2007	65	Screw (M2 x 3)	CBA1877
	17	Plate Spring	EBL2008			
	18	FFC	EDD2002			
	19	Shaft	ELA3022			
C	20	Shaft	ELA3023			
	21	Shaft	ELA3024			
	22	Shaft	ELA3026			
	23	Shaft	ELA3027			
	24	Shaft	ELA3028			
	25	Chassis	ENA3007			
	26	Cover	ENC2025			
	27	Lever	ENC2026			
	28	Holder	ENC2027			
D	29	Holder	ENC2032			
	30	Sheet	ENM3002			
	31	Sheet	ENM3003			
	32	Sheet	ENM3004			
	33	Gear	ENR2001			
	34	Gear	ENR2002			
	35	Gear	ENR2003			
	36	Gear	ENR2004			
E	37	Gear	ENR2005			
	38	Gear	ENV3023			
	39	Rack	ENV3024			
	40	Rack	ENV3025			
	41	Arm	ENV3026			
	42	Guide	ENV3027			
	43	Guide	ENV3028			
	44	Gear	ENV3029			
	45	Gear	ENV3030			
F						
	46	Gear	ENV3031			
	47	Gear	ENV3032			
	48	Holder	ENV3033			
	49	Holder	ENV3034			

DVD MECHANISM MODULE SECTION PARTS LIST

Mark No.	Description	Part No.	Mark No.	Description	Part No.
A	1 Screw	BMZ20P020FTC	50	Gear	CNV8875
	2 Screw	BMZ20P025FNI			
	3 Screw	CBA1787	51	Gear	CNV8876
	4 Washer	CBF1038	52	Gear	CNV8877
	5 Washer	CBF1064	53	Gear	CNV8878
			54	Gear	CNV8879
	6 Spring	CBH2589	55	Gear	CNV8880
	7 Spring	CBH2590			
	8 Spring	CBH2592	56	Lever	CNV8903
	9 Spring	CBH2593	57	Lever	CNV8904
	10 Spring	CBH2596	58	Roller	CNV8905
B	11 Spring	CBH2597	59	Lever	CNV8908
	12 Spring	CBH2599	60	Arm	CNV8909
	13 Spring	CBH2600			
	14 Spring	CBH2601	61	Damper	CNV9061
	15 Spring	CBH2604	62	Damper	CNV9062
			63	Rack	CNV9063
	16 Spring	CBH2605	64	Arm	CNV9116
	17 Spring	CBH2710	65	Arm	CNV9117
	18 Spring	CBH2711			
	19 Spring	CBH2890	66	Arm	CNW2082
	20 Spring	CBH2935	67	Roller	CNV7165
C			68	Compound Unit(B)	CWX3394
	21 Spring	CBH2586	69	Bracket Unit	CXB8685
	22 Spring	CBH2588	70	Brush Motor Unit(LOAD)(M1)	CXE4539
	23 Spring	CBH2898			
	24 Spring	CBH2926	71	Compound Unit(A)	CWX4034
	25 Spring	CBH2591	72	Arm Unit	CXC5486
			73	Roller Unit	CXC5708
	26		74	Chassis Unit	CXC6443
	27 Spring	CBL1726	75	Arm Unit	CXC7872
	28 Shaft	CLA4918	* 76	Frame Unit	CXE2486
D	29 Shaft	CLA4919	77	Guide Unit	CXE2585
	30 Lever	CND5494	78	Shaft	CLA4771
			79	Holder	CND5456
	31 Frame	CND2250	80	Guide	CNV9569
	32 Holder	CND2251			
	33 Holder	CNC9939	81	Collar	CNV9570
	34 Sheet	CNN4503	82	Motor(STEPPING)(M2)	CXM1364
	35 Sheet	CNM8283	83	Motor(SPDL)(M3)	CXM1435
			84	Screw	JFZ20P018FTC
	36 Sheet	CNM9658	85	Washer	YE20FTC
	37				
E	38 Cam	CNV7156	86	Screw	IMS20P030FTC
	39 Clamper	CNV7158	87	DVD Core Unit(MS7.3)	CWX4733
	40 Rack	CNV7175	88	Pickup Unit(Service)	CXX2558
			89	Gear	CNW2264
	41 Collar	CNV8845	90	Motor	CXM1321
	42 Lever	CNW1926			
	43 Arm	CNV8867	91	Screw	JFZ14P020FTC
	44 Arm	CNV8868			
	45 Arm	CNW2081			
F	46 Arm	CNV8871			
	47 Arm	CNV8872			
	48 Arm	CNV8873			
	49 Gear	CNV8874			

12. ELECTRICAL PARTS LIST

NOTE:

- Parts whose parts numbers are omitted are subject to being not supplied.
- The part numbers shown below indicate chip components.

Chip Resistor

RS1/○S○○○○J,RS1/○○S○○○○J

Chip Capacitor (except for CQS.....)

CKS....., CCS....., CSZS.....

- The \triangle mark found on some component parts indicates the importance of the safety factor of the part. Therefore, when replacing, be sure to use parts of identical designation.
- Meaning of the figures and others in the parentheses in the parts list.

Example) IC 301 is on the point (face A, 91 of x-axis, and 111 of y-axis) of the corresponding PC board.

IC 301 (A, 91, 111) IC NJM2068V

- The expression of the unit in this manual is shown by u instead of μ . Please do not make a mistake.

<u>Circuit Symbol and No.</u>	<u>Part No.</u>	<u>Circuit Symbol and No.</u>	<u>Part No.</u>
A:AVH-X7800BT/XNUC		Unit Number : CWN9679(C)	
B:AVH-X7800BT/XNEU5		Unit Number : CWN9680(D)	
C:AVH-X7800BT/XNUR		Unit Number : CWN9681(E)	
D:AVH-X7850BT/XNRC		Unit Number : CWN9684(F)	
E:AVH-X7850BT/XNRD		Unit Number : CWN9682(G)	
F:AVH-X7850TV/XNRD		Unit Name : Mother Unit	
G:AVH-X7850BT/XNRI			

MISCELLANEOUS

Unit Number : CWN9677(A)	IC 101 (B,163,20) Regulator IC	NJW4181U3-33B
Unit Number : CWN9678(B)	IC 111 (A,79,107) Regulator IC	NJW4184DL3-08A
Unit Number : CWN9679(C)	IC 141 (B,160,28) Regulator IC	MM3479A33P
Unit Number : CWN9680(D)	IC 160 (A,154,24) Regulator IC	RP132J001B-AE
Unit Number : CWN9681(E)	IC 211 (B,38,107) IC	BA00DD0WHFP
Unit Number : CWN9684(F)	IC 231 (B,156,35) Regulator IC	MM1856A50N
Unit Number : CWN9682(G)	IC 241 (B,102,22) Regulator IC	MM3479A18P
Unit Name : Mother Unit	IC 271 (A,74,88) Regulator IC	MM1856A58N
Unit Number : CWN9688	IC 301 (B,146,74) IC	AN33012UA
Unit Name : Monitor Unit	IC 351 (B,126,49) DC/DC CONV IC	KBD9876EFJ
Unit Number : CWX4733	* IC401 (A,132,26) Flash Blank UC IC	MN103LF15RXW
Unit Name : DVD Core Unit	IC 601 (A,89,62) AS IC	MN1AA9010Z
Unit Number : CWX4034	IC 603 (B,158,97) And Logic IC	MC74VHC1GT08DFG
Unit Name : Compound Unit(A)	IC 851 (B,79,48) RAM IC	M12L2561616A-5TG2S
Unit Number : CWX3394	IC 871 (B,107,53) Flash Memory IC	W25Q16DVSSIG
Unit Name : Composite Unit(B)	IC 881 (B,109,62) Flash ROM Unit	CWJ2457
Unit Number : CWN9691	IC 891 (B,111,42) IC	337S3959
Unit Name : Keyboard Unit	IC 901 (A,105,33) IC	AK8814VQ
Unit Number : EWX2008	IC 931 (B,129,76) IC	NJM2283V
Unit Name : Main PCB Unit	IC 1101 (B,114,102) IC	AK4223VQ
Unit Number : EWX2009	IC 1201 (B,49,84) AUD DSP SYS LSI	PM9015A
Unit Name : SW PCB Unit	IC 1271 (B,72,105) OP AMP IC	NJW1240V
	IC 1301 (A,28,132) Power AMP IC	PA2032A
	IC 2004 (B,57,31) Regulator IC	MM3479A33P
	IC 2201 (A,37,22) Tuner IC	TEF6686HN
	IC 2401 (B,144,100) DC/DC CONV IC	AN33014UA
	IC 2551 (B,32,41) Logic IC	TC7SZ32FUS1
	IC 2601 (A,55,75) Interface IC	BU8254KVT
	IC 3001 (A,16,76) Logic IC	74VHCT08AFT
	IC 3101 (B,153,116) Interface IC	STCC2540IQ

5			6			7			8		
<u>Circuit Symbol and No.</u>			<u>Part No.</u>			<u>Circuit Symbol and No.</u>			<u>Part No.</u>		
IC 3221	(A,138,116)	Comparator IC	TC75S57FU			D 3055	(B,103,123)	Diode	DZ2S180C		
IC 3231	(A,143,121)	V AMP IC	BH7673G			D 3056	(B,104,125)	Diode	DZ2S180C		
IC 3232	(A,146,121)	V AMP IC	BH7673G			D 3057	(B,97,125)	Diode	DZ2S180C		
IC 3233	(A,149,121)	V AMP IC	BH7673G			D 3058	(B,97,123)	Diode	DZ2S180C		A
IC 3234	(A,153,121)	V AMP IC	BH7673G								
Q 11	(A,105,139)	Chip Transistor	HN1C01FU			D 3091	(A,88,111)	Diode	DZ2J039M0		
Q 21	(B,91,121)	Resistor Built-IN TR	LTC014EEB			D 3101	(A,162,121)	Diode	EZAEG2A50AX		
Q 31	(B,70,151)	Resistor Built-IN TR	LTC014EEB			D 3102	(A,163,121)	Diode	EZAEG2A50AX		
Q 51	(B,90,139)	Bipolar TR	LSAR523UB			D 3271	(A,114,125)	Diode	DZ2S068C		
Q 61	(B,90,143)	Blpolar TR	LSAR523UB			D 3272	(A,112,125)	Diode	DZ2S068C		
Q 131	(B,28,109)	Transistor	2SAR293PGZE			L 1	(A,87,131)	Choke Coil	CTH1636		
Q 136	(B,23,108)	Blpolar TR	LSCR523UB			L 2	(A,142,87)	Choke Coil 10 uH	CTH1486		
Q 221	(B,23,82)	Transistor	UMF5N			L 301	(A,153,59)	Choke Coil	CTH1381		
Q 301	(A,152,76)	Power MOS FET	ATP112-H			L 302	(A,139,58)	SMD SPL Inductor	CTH1519		
Q 302	(A,140,72)	Power MOS FET	ATP112-H			L 351	(A,132,54)	SMD SPL Inductor	CTH1524		
Q 401	(B,130,21)	Blpolar TR	LSCR523UB			L 700	(A,74,78)	Chip Beads	VTL1127		B
Q 402	(B,126,26)	Chip Transistor(D,E,F,G)	RN4982			L 701	(A,71,75)	Chip Beads	VTL1126		
Q 403	(B,130,26)	Chip Transistor(D,E,F,G)	RN4982			L 702	(A,69,74)	Chip Beads	VTL1126		
Q 404	(B,131,30)	Chip Transistor(D,E,F,G)	RN4982			L 703	(A,71,74)	Chip Beads	VTL1126		
Q 405	(B,129,30)	Chip Transistor(D,E,F)	RN4982			L 704	(A,69,73)	Chip Beads	VTL1126		
Q 821	(A,115,70)	Blpolar TR	LSCR523UB			L 705	(A,71,73)	Chip Beads	VTL1126		
Q 892	(B,103,43)	Blpolar TR	LSAR523UB			L 706	(A,69,72)	Chip Beads	VTL1126		
Q 931	(A,119,62)	Blpolar TR	LSCR523UB			L 707	(A,71,71)	Chip Beads	VTL1126		
Q 932	(A,117,64)	Blpolar TR	LSCR523UB			L 708	(A,69,71)	Chip Beads	VTL1126		
Q 932	(A,117,64)	Blpolar TR	LSCR523UB			L 709	(A,71,70)	Chip Beads	VTL1126		
Q 933	(A,116,67)	Blpolar TR	LSCR523UB			L 710	(A,69,70)	Chip Beads	VTL1126		C
Q 1271	(A,73,100)	Resistor Built-IN TO	LTC044EEB			L 711	(A,71,69)	Chip Beads	VTL1126		
Q 1301	(B,24,118)	Chip Transistor	RN1903			L 712	(A,69,68)	Chip Beads	VTL1126		
Q 1303	(B,28,114)	Bipolar TR	LSCR523UB			L 713	(A,71,68)	Chip Beads	VTL1126		
Q 3091	(A,96,109)	Chip Transistor	2SD2114K			L 714	(A,69,67)	Chip Beads	VTL1126		
Q 3092	(A,89,108)	Transistor	RN4984			L 715	(A,71,67)	Chip Beads	VTL1126		
Q 3093	(A,92,108)	Transistor	RN4984			L 716	(A,69,66)	Chip Beads	VTL1126		
Q 3141	(A,133,120)	Chip Transistor	HN1B04FU			L 717	(A,71,65)	Chip Beads	VTL1126		
D 1	(B,75,148)	Diode	D1F60-5053			L 718	(A,69,65)	Chip Beads	VTL1126		
D 2	(B,75,151)	Diode	D1F60-5053			L 719	(A,71,64)	Chip Beads	VTL1126		
D 3	(A,134,90)	Diode	RB080L-30			L 750	(A,77,43)	Chip Beads	VTL1128		
D 11	(A,99,140)	Diode	DZ2J062M0			L 851	(B,67,57)	Inductor	CTF1786		D
D 12	(A,96,136)	Diode	DZ2J068M0			L 852	(A,79,41)	Chip Beads	VTL1128		
D 21	(B,87,121)	Diode	DA2J101			L 871	(B,100,56)	Inductor	CTF1786		
D 32	(B,68,150)	Diode	DZ2J056M0			L 881	(B,102,57)	Inductor	CTF1786		
D 41	(B,47,115)	Diode	CRG03			L 882	(A,107,59)	Inductor	CTF1740		
D 51	(B,87,138)	Diode	DA2J101			L 901	(A,112,35)	Inductor	LCYA2R7J2016		
D 61	(B,87,144)	Diode	DA2J101			L 902	(B,112,34)	Inductor	LCYA2R7J2016		
D 101	(A,157,39)	Diode	D1F60-5053			L 903	(A,106,55)	Chip Beads	VTL1126		
D 211	(B,51,110)	Diode	D1F60-5053			L 904	(A,97,42)	Chip Beads	VTL1126		
D 301	(A,150,68)	Diode	RB056L-40			L 905	(A,96,43)	Chip Beads	VTL1126		
D 302	(A,141,65)	Diode	RB056L-40			L 906	(A,96,42)	Chip Beads	VTL1126		
D 351	(A,131,48)	Diode	RB056L-40			L 907	(A,95,43)	Chip Beads	VTL1126		E
D 401	(A,118,13)	Diode	DB2J31400			L 908	(A,94,42)	Chip Beads	VTL1126		
D 403	(B,122,24)	Diode	DB2J31400			L 909	(A,94,43)	Chip Beads	VTL1126		
D 1301	(B,21,114)	Diode	DA2J101			L 910	(A,93,42)	Chip Beads	VTL1126		
D 1302	(B,32,117)	Diode	DZ2J082M0			L 911	(A,92,40)	Chip Beads	VTL1126		
D 2201	(A,8,32)	Diode	EZAEG2A50AX			L 2201	(A,42,30)	Inductor	CTF1749		
D 2202	(A,16,23)	Diode	EZAEG2A50AX			L 2202	(A,47,25)	Inductor	CTF1786		
D 2203	(A,25,15)	Diode	EZAEG2A50AX			L 2203	(A,27,14)	Inductor	LCYC150K1608		
D 2204	(A,42,22)	Diode	DZ2S068C			L 2204	(A,23,14)	Inductor	CTF1389		
D 2401	(B,139,102)	Diode	RB060M-30			L 2205	(A,18,23)	Inductor	LCMAR27J1608		
D 2402	(B,142,111)	Diode	D1F60-5053			L 2207	(A,21,21)	Chip Coil	LCTAWR22J2520		F
D 3052	(B,98,117)	Diode	DZ2S180C			L 2401	(A,138,100)	SMD SPL Inductor	CTH1524		
D 3053	(B,103,118)	Diode	DZ2S180C			L 2402	(B,139,98)	Inductor	CTF1793		
D 3054	(B,103,121)	Diode	DZ2S180C			L 2601	(B,49,58)	Chip Ferrite Bead	CTF1869		

1

2

3

4

Circuit Symbol and No.**Part No.****Circuit Symbol and No.****Part No.**

L 2602	(A,52,85) Chip Solid Inductor	XTL3010	R 21	(B,89,120)	RS1/16SS103J
L 2603	(B,52,66) Chip Solid Inductor	XTL3010	R 22	(B,86,119)	RS1/16SS472J
L 3101	(B,160,119) Coil	ATH7015	R 23	(B,83,120)	RS1/4SA102J
L 3231	(A,153,115) Inductor	LCYA100J2016	R 31	(B,67,147)	RS1/4SA102J
L 3236	(A,104,133) Ferrite Bead	CTF1528	R 32	(B,67,152)	RS1/16SS103J
L 3237	(A,97,133) Ferrite Bead	CTF1528	R 51	(B,93,138)	RS1/16SS102J
L 3238	(A,105,130) Ferrite Bead	CTF1528	R 52	(B,92,138)	RS1/16SS473J
L 3239	(A,95,130) Ferrite Bead	CTF1528	R 53	(B,89,140)	RS1/16SS223J
L 3240	(A,105,128) Ferrite Bead	CTF1528	R 54	(B,86,141)	RS1/16SS103J
L 3241	(A,95,127) Ferrite Bead	CTF1528	R 61	(B,90,145)	RS1/16SS223J
L 3242	(A,105,125) Ferrite Bead	CTF1528	R 62	(B,93,140)	RS1/16SS102J
L 3243	(A,95,125) Ferrite Bead	CTF1528	R 63	(B,92,140)	RS1/16SS473J
L 3244	(A,105,124) Ferrite Bead	CTF1528	R 64	(B,86,142)	RS1/16SS103J
L 3245	(A,95,123) Ferrite Bead	CTF1528	R 131	(B,21,109)	RS1/16SS273J
L 3246	(A,104,123) Ferrite Bead	CTF1528	R 132	(B,23,106)	RS1/8SQ1201D
L 3247	(A,95,122) Ferrite Bead	CTF1528	R 133	(B,20,109)	RS1/16SS272J
L 3248	(A,95,121) Ferrite Bead	CTF1528	R 139	(B,31,109)	RS1/16SS102J
L 3249	(A,105,121) Ferrite Bead	CTF1528	R 160	(A,151,32)	RS1/16SS5601D
L 3250	(A,95,120) Ferrite Bead	CTF1528	R 161	(A,151,31)	RS1/16SS1202D
L 3251	(A,105,120) Ferrite Bead	CTF1528	R 211	(B,45,105)	RS1/16SS2201D
L 3252	(A,105,119) Ferrite Bead	CTF1528	R 212	(B,46,104)	RS1/16SS2702D
L 3253	(A,96,117) Ferrite Bead	CTF1528	R 213	(B,48,103)	RS1/16SS4701D
L 3254	(A,95,119) Ferrite Bead	CTF1869	R 221	(B,24,79)	RS1/16SS473J
L 3271	(A,112,121) Chip Beads	VTL1126	R 222	(B,23,80)	RS1/16SS102J
L 3272	(A,114,121) Chip Beads	VTL1126	R 301	(B,138,72)	RS1/16SS561J
L 3281	(A,127,124) Chip Beads	VTL1126	R 302	(B,139,72)	RS1/16SS3302D
L 3282	(A,125,126) Chip Beads	VTL1126	R 303	(B,139,70)	RS1/16SS4301D
X 401	(A,132,11) Crystal Resonator 12.500 MHz	CSS1839	R 304	(B,139,69)	RS1/16SS3601D
X 601	(A,108,77) Resonator 24 MHz	CSS1773	R 305	(B,139,73)	RS1/16SS273J
X 2201	(A,36,31) Crystal Resonator 9.216 MHz	CSS1867	R 306	(B,151,68)	RS1/16SS103J
△P131	Fuse 0.75 A	CEK1398	R 308	(B,149,80)	CCN1341
P 2201	(A,8,34) Clamper	IMSA-6803-01Y900	R 309	(B,149,68)	RS1/16SS204J
△P3001	Fuse 0.75 A	CEK1398	R 310	(B,150,68)	RS1/16SS394J
P 3052	(A,94,115) Poly Switch	FSMD075-24R	R 311	(B,139,78) 12 mohm	CCN1321
P 3054	(A,108,125) Poly Switch	FSMD075-24R	R 312	(B,145,68)	RS1/16SS224J
P 3055	(B,134,125) Poly Switch	FSMD075-24R	R 313	(B,154,73)	RS1/16SS472J
P 3281	(A,130,125) Poly Switch	FSMD075-24R	R 314	(B,154,70)	RS1/16SS1101D
CN131	(A,11,103) Connector	CKS4822	R 315	(B,155,70)	RS1/16SS3000D
CN2201	(A,5,83) Clamper	CEF1046	R 316	(B,154,72)	RS1/16SS1002D
CN2551	(A,22,55) Connector	CKS6025	R 317	(B,155,71)	RS1/16SS511J
CN2901	(A,89,24) B TO B Connector	CKS6346	R 322	(B,147,68)	RS1/16SS473J
CN3001	(A,32,91) FFC/FPC Connector	CKS6672	R 323	(B,153,68)	RS1/16SS473J
CN3051	(A,100,125) Plug	CKM1599	R 351	(B,120,47)	RS1/16SS4701D
CN3121	(B,118,17) FFC/FPC Connector	CKS6638	R 352	(B,122,47)	RS1/16SS4702D
CN3141	(A,145,136) Connector	CKS4497	R 353	(B,122,46)	RS1/16SS2202D
CN3201	(A,119,107) FFC(F)	CKS668	R 354	(B,120,46)	RS1/16SS332J
JA 1	(A,62,145) Connector	CKM1613	R 360	(A,117,54)	RS1/8SQ331J
JA3101	(A,163,125) USB Jack	CKN1118	R 401	(A,120,14)	RS1/16SS472J
JA3271	(A,115,137) Jack	CKN1101	R 402	(A,121,15)	RS1/16SS102J
JA3281	(A,126,136) 3.5 DIA Jack	CKS6437	R 403	(A,120,13)	RS1/16SS103J
VL2201	(A,27,21) Variable Coil	CTC1216	R 405	(A,124,12)	RS1/16SS471J
			R 406	(A,126,12)	RS1/16SS473J
			R 407	(A,125,12)	RS1/16SS471J
			R 408	(B,128,19)	RS1/16SS473J
			R 409	(A,116,22)	RS1/16SS105J
			R 410	(A,118,22)	RS1/16SS471J
			R 411	(A,128,7)	RS1/16SS472J
			R 412	(A,128,8)	RS1/16SS472J
			R 413	(B,143,31)	RS1/16SS473J
			R 414	(B,131,23)	RS1/16SS473J

RESISTORS

R 11	(A,102,140)	RS1/16SS103J			
R 12	(A,102,139)	RS1/16SS473J	R 409	(A,116,22)	RS1/16SS105J
R 13	(A,96,139)	RS1/16SS472J	R 410	(A,118,22)	RS1/16SS471J
R 16	(A,101,135)	RS1/16SS104J	R 411	(A,128,7)	RS1/16SS472J
R 17	(A,100,136)	RS1/16SS473J	R 412	(A,128,8)	RS1/16SS472J
			R 413	(B,143,31)	RS1/16SS473J
R 18	(A,81,143)	RS1/4SA102J			
			R 414	(B,131,23)	RS1/16SS473J

1

2

3

4

5		6		7		8	
<u>Circuit Symbol and No.</u>		<u>Part No.</u>		<u>Circuit Symbol and No.</u>		<u>Part No.</u>	
R 415	(B,128,12)	RS1/16SS473J		R 504	(A,118,23)	RS1/16SS221J	
R 417	(B,131,15)	RS1/16SS104J		R 506	(A,129,39)	RS1/16SS0R0J	
R 418	(B,132,16)	RS1/16SS102J		R 507	(A,116,28)	RS1/16SS473J	
R 419	(A,132,13)	RS1/16SS0R0J		R 508	(B,121,25)	RS1/16SS103J	A
				R 509	(A,118,24)	RS1/16SS104J	
R 420	(B,134,21)	RS1/16SS102J					
R 421	(B,135,24)	RS1/16SS104J		R 510	(A,118,35)	RS1/16SS473J	
R 422	(A,139,12)	RS1/16SS473J		R 511	(B,113,25)	RS1/16SS471J	
R 423	(B,137,14)	RS1/16SS473J		R 512	(B,113,24)	RS1/16SS472J	
R 424	(A,139,11)	RS1/16SS121J		R 513	(B,113,22)	RS1/16SS471J	
				R 514	(B,113,23)	RS1/16SS472J	
R 425	(A,140,13)	RS1/16SS104J					
R 426	(A,140,11)	RS1/16SS121J		R 515	(B,125,18)	RS1/16SS221J	
R 430	(A,149,17)	RS1/16SS102J		R 518	(A,145,15)	RS1/16SS0R0J	
R 431	(A,148,18)	RS1/16SS473J		R 519	(B,128,23) (D,E,F,G)	RS1/16SS6800D	
R 433	(A,145,20) (F)	RS1/16SS104J		R 524	(B,127,28) (D,E,F,G)	RS1/16SS8201D	
R 435	(B,142,13)	RS1/16SS682J					
				R 525	(B,127,30) (D,E,F,G)	RS1/16SS8201D	B
R 436	(A,149,29)	RS1/16SS182J		R 526	(B,127,23) (A,B,C,G)	RS1/16SS102J	
R 437	(A,145,22)	RS1/16SS0R0J		R 526	(D,E,F)	RS1/16SS1001D	
R 439	(A,148,27)	RS1/16SS182J		R 602	(B,115,49)	RS1/10SR0R0J	
R 440	(A,145,28)	RS1/16SS104J		R 603	(A,105,49)	RS1/16SS473J	
R 441	(A,145,23)	RS1/16SS0R0J					
				R 605	(A,105,48)	RS1/16SS473J	
R 442	(A,145,25) (F)	RS1/16SS471J		R 611	(A,110,52) (F)	RS1/10SR0R0J	
R 443	(A,145,26) (F)	RS1/16SS471J		R 612	(A,110,54) (F)	RS1/10SR0R0J	
R 444	(A,148,26) (F)	RS1/16SS473J		R 613	(A,110,53) (F)	RS1/10SR473J	
R 445	(A,145,29)	RS1/16SS104J		R 616	(B,98,54)	RS1/16SS473J	
R 447	(B,123,25) (A,B,C)	RS1/16SS102J		R 619	(B,106,70)	RS1/16SS0R0J	
R 447	(D,E,F,G)	RS1/16SS1001D		R 620	(B,101,66)	RS1/16SS1R0J	C
R 448	(B,124,26) (D,E,F,G)	RS1/16SS6800D		R 621	(B,98,70)	RS1/16SS1R0J	
R 450	(A,127,12)	RS1/16SS0R0J					
R 453	(A,145,30)	RS1/16SS101J		R 622	(A,106,71)	RS1/16SS0R0J	
R 457	(A,142,40)	RS1/16SS822J		R 623	(A,107,72)	RS1/16SS0R0J	
				R 625	(B,102,75)	RS1/16SS473J	
R 458	(A,140,39)	RS1/16SS471J		R 627	(B,103,75)	RS1/16SS473J	
R 460	(A,136,40)	RS1/16SS473J		R 628	(B,104,73)	RS1/16SS0R0J	
R 463	(B,133,36)	RS1/16SS104J					
R 464	(B,132,36)	RS1/16SS473J		R 629	(A,105,76)	RS1/16SS105J	
R 465	(A,134,39)	RS1/16SS473J		R 630	(A,108,74)	RS1/16SS102J	
				R 631	(A,108,83)	RS1/16SS102J	
R 466	(A,145,24)	RS1/16SS222J		R 632	(A,102,82)	RS1/16SS0R0J	
R 467	(A,128,41)	RS1/16SS104J		R 633	(A,100,82)	RS1/16SS0R0J	D
R 468	(B,129,37)	RS1/16SS473J					
R 471	(B,128,34)	RS1/16SS221J		R 636	(A,109,85)	RS1/16SS104J	
R 472	(B,127,34)	RS1/16SS221J		R 637	(A,104,82)	RS1/16SS473J	
				R 639	(A,103,82)	RS1/16SS473J	
R 474	(B,126,34)	RS1/16SS221J		R 641	(B,99,76)	RS1/16SS103J	
R 475	(A,124,39)	RS1/16SS221J		R 642	(B,99,80)	RS1/16SS103J	
R 476	(A,123,39)	RS1/16SS221J					
R 479	(A,122,38)	RS1/16SS104J		R 643	(A,96,82)	RS1/16SS4701D	
R 480	(A,116,38) (F,G)	RS1/16SS104J		R 644	(A,95,83)	RS1/16SS1201D	
R 481	(A,119,38) (B,C,D,E)	RS1/16SS104J		R 645	(A,95,84)	RS1/16SS0R0J	
				R 646	(B,158,92)	RS1/16SS0R0J	
R 482	(A,115,37) (D,E,F)	RS1/16SS104J		R 651	(B,90,72)	RS1/16SS0R0J	
R 483	(A,118,37) (B,C,G)	RS1/16SS104J					
R 484	(A,115,36) (E,F)	RS1/16SS104J		R 653	(B,93,70)	RS1/16SS101J	E
R 485	(A,117,36) (B,C,D,G)	RS1/16SS104J		R 654	(B,91,70)	RS1/16SS101J	
R 486	(A,115,35)	RS1/16SS104J		R 685	(B,117,54)	RS1/10SR0R0J	
				R 686	(B,159,94)	RS1/16SS473J	
R 493	(A,116,31)	RS1/16SS103J		R 687	(B,157,99)	RS1/16SS103J	
R 494	(A,118,31)	RS1/16SS221J					
R 495	(B,124,28)	RS1/16SS104J		R 688	(B,159,99)	RS1/16SS473J	
R 496	(A,116,30)	RS1/16SS103J		R 701	(A,71,78)	RS1/16SS241J	
R 497	(A,118,29)	RS1/16SS221J		R 703	(A,72,76)	RS1/16SS473J	
				R 704	(A,67,75)	RS1/16SS271J	
R 499	(B,121,28)	RS1/16SS104J		R 705	(A,66,74)	RS1/16SS271J	
R 500	(B,121,27)	RS1/16SS104J					
R 501	(A,118,27)	RS1/16SS101J		R 706	(A,67,74)	RS1/16SS271J	F
R 502	(A,118,26)	RS1/16SS221J		R 707	(A,66,73)	RS1/16SS271J	
R 503	(A,118,25)	RS1/16SS221J		R 708	(A,67,73)	RS1/16SS271J	
				R 709	(A,66,72)	RS1/16SS271J	

	1	2	3	4
	<u>Circuit Symbol and No.</u>	<u>Part No.</u>	<u>Circuit Symbol and No.</u>	<u>Part No.</u>
	R 710 (A,67,71)	RS1/16SS271J	R 884 (B,101,62)	RS1/16SS101J
	R 711 (A,66,71)	RS1/16SS271J	R 885 (B,101,64)	RS1/16SS101J
A	R 712 (A,67,70)	RS1/16SS271J	R 886 (A,109,59)	RS1/16SS271J
	R 713 (A,66,70)	RS1/16SS271J	R 887 (A,107,60)	RS1/16SS101J
	R 714 (A,67,69)	RS1/16SS271J	R 888 (B,116,64)	RS1/16SS101J
	R 715 (A,66,68)	RS1/16SS271J	R 892 (B,100,44)	RS1/16SS473J
	R 716 (A,67,68)	RS1/16SS271J	R 893 (B,102,41)	RS1/16SS183J
	R 717 (A,66,67)	RS1/16SS271J	R 895 (B,113,42)	RS1/16SS222J
	R 718 (A,67,67)	RS1/16SS271J	R 896 (B,107,40)	RS1/16SS222J
	R 719 (A,66,66)	RS1/16SS271J	R 897 (B,105,42)	RS1/16SS220J
	R 720 (A,67,65)	RS1/16SS271J	R 898 (B,108,42)	RS1/16SS222J
	R 721 (A,66,65)	RS1/16SS271J	R 902 (A,108,55)	RS1/16SS820J
	R 726 (A,68,62)	RS1/16SS0R0J	R 904 (A,100,37)	RS1/16SS103J
B	R 727 (A,69,61)	RS1/16SS0R0J	R 906 (A,97,39)	RS1/16SS561J
	R 729 (A,67,64)	RS1/16SS271J	R 908 (A,96,40)	RS1/16SS561J
	R 736 (B,79,61)	RS1/16SS472J	R 910 (A,96,39)	RS1/16SS561J
	R 739 (A,78,43)	RS1/16SS330J	R 912 (A,95,40)	RS1/16SS561J
	R 741 (A,71,62)	RS1/16SS0R0J	R 914 (A,94,39)	RS1/16SS561J
	R 792 (A,79,44)	RS1/16SS47R0D	R 916 (A,94,40)	RS1/16SS561J
	R 793 (A,77,39)	RS1/16SS472J	R 918 (A,93,39)	RS1/16SS561J
	R 794 (B,80,59)	RS1/16SS472J	R 920 (A,92,39)	RS1/16SS561J
	R 795 (B,81,59)	RS1/16SS472J	R 921 (A,101,27)	RS1/16SS103J
	R 797 (B,82,59)	RS1/16SS472J	R 922 (A,101,26)	RS1/16SS271J
	R 798 (B,83,59)	RS1/16SS472J	R 923 (A,102,25)	RS1/16SS271J
C	R 800 (A,90,40)	RS1/16SS0R0J	R 924 (A,105,25)	RS1/16SS181J
	R 801 (A,91,41)	RS1/16SS0R0J	R 925 (A,103,25)	RS1/16SS103J
	R 805 (A,88,43)	RS1/16SS473J	R 926 (A,104,27)	RS1/16SS103J
	R 806 (A,91,44)	RS1/16SS473J	R 930 (A,111,27)	RS1/10SR0R0J
	R 813 (B,100,43)	RS1/16SS472J	R 931 (A,112,33)	RS1/16SS6801D
	R 814 (A,99,43)	RS1/16SS0R0J	R 932 (B,104,37)	RS1/16SS104J
	R 815 (A,101,41)	RS1/16SS473J	R 933 (B,103,37)	RS1/16SS104J
	R 816 (A,101,43)	RS1/16SS0R0J	R 934 (A,110,26)	RS1/16SS0R0J
	R 821 (A,115,72)	RS1/16SS103J	R 938 (B,117,59)	RS1/16SS0R0J
	R 822 (A,117,70)	RS1/16SS0R0J	R 941 (A,114,62)	RS1/16SS471J
	R 823 (A,120,72)	RS1/16SS104J	R 944 (A,114,65)	RS1/16SS471J
D	R 824 (A,117,72)	RS1/16SS153J	R 947 (A,113,67)	RS1/16SS471J
	R 825 (A,113,71)	RS1/16SS471J	R 948 (B,122,81)	RS1/16SS104J
	R 827 (B,93,52)	RS1/16SS0R0J	R 949 (B,124,83)	RS1/16SS104J
	R 828 (B,92,53)	RS1/16SS0R0J	R 950 (A,112,62)	RS1/16SS0R0J
	R 829 (A,115,73)	RS1/16SS0R0J	R 951 (A,112,64)	RS1/16SS0R0J
	R 841 (B,134,27)	RAB4CQ103J	R 952 (A,111,67)	RS1/16SS0R0J
	R 851 (B,72,58)	RAB4CQ101J	R 953 (B,125,85)	RS1/16SS104J
	R 852 (B,76,58)	RAB4CQ101J	R 960 (A,115,39)	RS1/16SS0R0J
	R 853 (B,81,56)	RAB4CQ181J	R 970 (A,100,28)	RS1/16SS222J
	R 854 (B,84,56)	RAB4CQ181J	R 971 (A,100,26)	RS1/16SS222J
E	R 855 (B,87,56)	RAB4CQ181J	R 1111 (B,119,94) (F)	RS1/16SS75R0D
	R 856 (B,71,40)	RAB4CQ101J	R 1112 (B,117,91)	RS1/16SS75R0D
	R 857 (B,76,39)	RAB4CQ101J	R 1113 (B,115,91)	RS1/16SS75R0D
	R 858 (B,78,39)	RS1/16SS121J	R 1114 (B,114,93)	RS1/16SS104J
	R 859 (B,82,40)	RS1/16SS181J	R 1115 (B,112,91)	RS1/16SS75R0D
	R 860 (B,83,40)	RS1/16SS181J	R 1116 (B,110,91)	RS1/16SS2200D
	R 861 (B,78,58)	RS1/16SS101J	R 1117 (B,107,98)	RS1/16SS0R0J
	R 862 (B,85,40)	RAB4CQ181J	R 1118 (B,109,97)	RS1/16SS75R0D
	R 863 (B,87,40)	RAB4CQ181J	R 1119 (B,112,93)	RS1/16SS101J
	R 872 (A,109,57)	RS1/16SS0R0J	R 1120 (B,111,93)	RS1/16SS101J
	R 873 (A,110,55)	RS1/16SS0R0J	R 1121 (B,114,88)	RS1/16SS0R0J
F	R 877 (B,101,52)	RS1/16SS101J	R 1122 (B,116,92)	RS1/16SS101J
	R 878 (B,101,51)	RS1/16SS101J	R 1123 (B,115,92)	RS1/16SS101J
	R 882 (B,102,59)	RS1/16SS101J	R 1124 (B,118,92)	RS1/16SS101J
	R 883 (B,102,60)	RS1/16SS0R0J	R 1125 (B,117,92)	RS1/16SS101J

5		6		7		8	
<u>Circuit Symbol and No.</u>		<u>Part No.</u>		<u>Circuit Symbol and No.</u>		<u>Part No.</u>	
R 1131	(B,124,104)	RS1/16SS101J		R 2553	(B,26,45)	RS1/16SS0R0J	
R 1132	(B,124,105)	RS1/16SS101J		R 2554	(B,24,46)	RS1/10SR0R0J	
R 1133	(B,124,107)	RS1/16SS101J		R 2555	(B,26,47)	RS1/16SS0R0J	A
R 1134	(B,116,112)	RS1/16SS101J		R 2558	(B,28,49)	RS1/16SS0R0J	
R 1135	(B,114,112)	RS1/16SS101J		R 2559	(B,24,44)	RS1/10SR0R0J	
R 1136	(B,113,112)	RS1/16SS101J		R 2560	(B,20,43)	RS1/10SR0R0J	
R 1141	(B,120,97) (C,D,E,G)	RS1/10SR0R0J		R 2562	(B,25,41)	RS1/8SQ221J	
R 1142	(B,110,93)	RS1/10SR0R0J		R 2563	(B,24,48)	RS1/10SR0R0J	
R 1143	(B,108,97)	RS1/16SS470J		R 2564	(B,23,63)	RS1/16SS471J	
R 1144	(B,120,96) (C,D,E,G)	RS1/16SS104J		R 2565	(B,26,62)	RS1/16SS102J	
R 1145	(B,119,95) (C,D,E,G)	RS1/16SS101J		R 2566	(B,26,61)	RS1/16SS221J	
R 1146	(B,121,96) (F)	RS1/16SS0R0J		R 2567	(B,26,60)	RS1/16SS221J	
R 1147	(B,118,94) (F)	RS1/16SS0R0J		R 2568	(B,23,59)	RS1/16SS221J	
R 1148	(B,118,97) (A,B)	RS1/16SS0R0J		R 2569	(B,23,58)	RS1/16SS221J	B
R 1149	(B,119,99) (A,B)	RS1/16SS0R0J		R 2571	(B,24,53)	RS1/16SS0R0J	
R 1214	(B,46,98)	RS1/16SS0R0J		R 2607	(B,49,66)	RS1/16SS153J	
R 1215	(B,48,99)	RS1/16SS0R0J		R 2609	(B,62,74)	RS1/16SS473J	
R 1228	(B,51,75)	RS1/16SS0R0J		R 2901	(B,88,27)	RS1/16SS102J	
R 1271	(A,71,101)	RS1/16SS103J		R 2906	(B,85,19)	RS1/16SS101J	
R 1272	(B,67,108)	RS1/16SS684J		R 2908	(B,83,25)	RS1/16SS102J	
R 1286	(B,62,108)	RS1/16SS100J		R 2912	(A,95,19)	RS1/16SS271J	
R 1287	(B,65,106)	RS1/16SS102J		R 2913	(A,94,20)	RS1/16SS271J	
R 1301	(B,23,115)	RS1/16SS683J		R 2915	(A,94,22)	RS1/16SS271J	
R 1302	(B,23,117)	RS1/16SS683J		R 2917	(A,95,23)	RS1/16SS0R0J	
R 1303	(B,27,118)	RS1/16SS152J		R 2918	(A,96,27)	RS1/16SS222J	C
R 1304	(B,27,119)	RS1/16SS101J		R 2919	(A,96,24)	RS1/16SS0R0J	
R 1306	(B,21,117)	RS1/16SS103J		R 2920	(A,94,29)	RS1/16SS102J	
R 1308	(B,25,114)	RS1/16SS103J		R 2921	(A,94,30)	RS1/16SS102J	
R 1309	(B,32,115)	RS1/16SS104J		R 3004	(A,24,81)	RS1/16SS0R0J	
R 1310	(B,33,114)	RS1/16SS473J		R 3059	(B,101,130)	RS1/16SS223J	
R 1314	(B,17,117)	RS1/16SS473J		R 3060	(B,104,131)	RS1/16SS223J	
R 1315	(B,15,116)	RS1/16SS102J		R 3061	(B,100,128)	RS1/16SS223J	
R 1316	(B,19,118)	RS1/16SS0R0J		R 3062	(B,106,127)	RS1/16SS223J	
R 2009	(B,55,34)	RS1/16SS102J		R 3063	(A,104,135)	RS1/16SS223J	
R 2204	(A,38,27)	RS1/16SS103J		R 3064	(A,105,134)	RS1/16SS223J	
R 2206	(A,38,26)	RS1/16SS103J		R 3071	(B,107,125)	RS1/16SS223J	D
R 2207	(A,42,26)	RS1/16SS272J		R 3072	(B,105,123)	RS1/16SS223J	
R 2208	(A,44,25)	RS1/16SS272J		R 3073	(B,105,121)	RS1/16SS223J	
R 2209	(A,40,25)	RS1/16SS0R0J		R 3074	(B,105,119)	RS1/16SS223J	
R 2210	(A,41,24)	RS1/16SS0R0J		R 3076	(B,91,118)	RS1/10SR0R0J	
R 2212	(A,28,13)	RS1/16SS391J		R 3091	(A,94,107)	RS1/16SS152J	
R 2213	(A,18,15)	RS1/16SS105J		R 3092	(A,94,110)	RS1/16SS103J	
R 2214	(A,21,15)	RS1/16SS105J		R 3093	(A,86,108)	RS1/16SS122J	
R 2242	(B,37,29)	RS1/16SS0R0J		R 3105	(B,150,115)	RS1/16SS102J	
R 2243	(A,32,22)	RS1/16SS0R0J		R 3106	(B,150,119)	RS1/16SS103J	
R 2244	(A,32,21)	RS1/16SS0R0J		R 3107	(B,149,117)	RS1/16SS103J	
R 2401	(B,148,106)	RS1/16SS752J		R 3108	(B,150,116)	RS1/16SS103J	E
R 2402	(A,152,107)	RS1/16SS102J		R 3109	(B,155,116)	RS1/16SS2402D	
R 2403	(A,152,108)	RS1/16SS102J		R 3122	(B,115,22)	RS1/16SS272J	
R 2404	(A,152,105)	RS1/16SS102J		R 3141	(B,151,132)	RAB4CQ750J	
R 2405	(B,150,94)	RS1/16SS224J		R 3142	(A,135,120)	RS1/16SS562J	
R 2406	(B,144,92)	RS1/16SS1202D		R 3143	(A,135,119)	RS1/16SS332J	
R 2407	(B,151,106)	RS1/16SS152J		R 3144	(A,131,120)	RS1/16SS103J	
R 2408	(B,151,105)	RS1/16SS3302D		R 3145	(A,129,120)	RS1/16SS103J	
R 2409	(B,149,101)	RS1/16SS8201D		R 3146	(A,130,118)	RS1/10SR222J	
R 2410	(A,152,106)	RS1/16SS102J		R 3147	(B,119,122)	RS1/16SS223J	
R 2413	(B,143,92)	RS1/16SS394J		R 3148	(B,118,121)	RS1/16SS223J	F
R 2414	(B,143,94)	RS1/16SS204J		R 3149	(B,118,119)	RS1/16SS562J	
R 2416	(B,144,94)	RS1/16SS0R0J		R 3150	(A,142,125)	RS1/16SS102J	
R 2420	(B,147,93)	RS1/16SS104J		R 3151	(A,138,125)	RS1/16SS102J	
R 2421	(A,147,102) 0.039 ohm	CCN1325					

5		6	7		8
<u>Circuit Symbol and No.</u>		<u>Part No.</u>	<u>Circuit Symbol and No.</u>		<u>Part No.</u>
C 424	(B,125,21)	CKSSYB104K10	C 657	(B,120,51) 0.1 uF	CCG1321
C 425	(A,118,17)	CKSSYB104K10	C 658	(B,120,49)	CCSRCH102J50
C 427	(B,124,14)	CKSSYB104K10	C 661	(B,119,53) 10 uF	CCG1192
C 429	(B,111,20)	CKSSYB104K10	C 664	(B,112,47) 10 uF	CCG1192
C 430	(B,112,21)	CKSSYB104K10	C 700	(A,76,44)	CCSSCH8R0D50
C 432	(B,125,23)	CKSSYB104K10	C 821	(A,119,71) 10 uF	CCG1192
C 433	(B,124,24)	CKSSYB104K10	C 823	(A,109,70)	CKSRYB105K10
C 436	(B,125,22)	CKSSYB104K10	C 824	(A,109,71)	CKSRYB105K10
C 437	(A,147,29)	CKSSYB104K10	C 851	(B,68,55)	CKSSYB104K10
C 438	(A,147,28)	CKSSYB104K10	C 852	(B,68,56)	CKSSYB104K10
C 601	(A,105,52)	CKSSYB104K10	C 853	(B,74,56)	CKSSYB104K10
C 602	(A,106,53)	CKSRYB104K16	C 854	(B,79,56)	CKSSYB104K10
C 603	(A,106,56)	CKSSYB104K10	C 855	(B,90,55)	CKSSYB104K10
C 604	(A,106,57)	CKSSYB104K10	C 856	(A,76,40)	CKSSYB104K10
C 605	(A,105,60)	CKSSYB104K10	C 857	(A,74,44)	CKSSYB104K10
C 606	(A,105,64)	CKSSYB104K10	C 858	(A,79,40)	CCSSCH8R0D50
C 607	(B,99,66)	CKSRYB105K10	C 871	(B,101,55)	CKSSYB104K10
C 608	(A,105,69)	CKSSYB104K10	C 882	(B,106,56)	CKSSYB104K10
C 609	(B,100,70)	CKSRYB105K10	C 891	(B,103,41)	CKSSYB104K10
C 610	(A,105,71)	CKSSYB104K10	C 892	(B,108,43)	CKSSYB104K10
C 611	(A,106,72)	CKSSYB104K10	C 893	(B,107,42)	CKSSYB103K16
C 612	(A,106,74)	CKSSYB104K10	C 901	(A,113,53)	CCSSCH560J50
C 613	(A,110,74)	CCSSCH120J50	C 902	(A,111,37) 10 uF	CCG1192
C 614	(A,106,78)	CCSSCH100D50	C 903	(A,99,33)	CKSSYB104K10
C 615	(B,100,67)	CKSRYB104K50	C 904	(A,106,27)	CKSSYB103K16
C 616	(A,108,85)	CKSSYB104K10	C 905	(A,111,30)	CKSSYB103K16
C 617	(A,101,80)	CKSSYB104K10	C 906	(A,113,31) 10 uF	CCG1192
C 618	(A,100,80)	CKSSYB104K10	C 907	(A,111,32)	CKSSYB103K16
C 619	(B,97,73) Capacitor 1 uF	DCH1246	C 908	(A,113,29) 10 uF	CCG1192
C 620	(B,95,73) Capacitor 1 uF	DCH1246	C 909	(A,111,34)	CKSSYB103K16
C 621	(A,95,79)	CKSSYB104K10	C 910	(A,106,39)	CKSSYB104K10
C 622	(A,94,79)	CKSSYB104K10	C 912	(A,103,39)	CKSSYB104K10
C 624	(A,91,80)	CKSSYB104K10	C 931	(B,134,80) 10 uF	CCG1192
C 625	(A,91,79)	CKSSYB104K10	C 932	(B,133,80) 10 uF	CCG1192
C 626	(A,86,79)	CKSSYB104K10	C 933	(B,136,80) 10 uF	CCG1192
C 627	(A,85,79)	CKSSYB104K10	C 934	(B,124,80) 10 uF	CCG1192
C 628	(A,79,79)	CKSSYB104K10	C 935	(B,126,82) 10 uF	CCG1192
C 629	(A,78,79)	CKSSYB104K10	C 936	(B,128,84) 10 uF	CCG1192
C 631	(B,76,73)	CKSSYB104K10	C 937	(B,129,80)	CKSSYB103K16
C 632	(B,77,69)	CKSSYB104K10	C 938	(A,109,62)	CKSRYB105K10
C 633	(B,77,68)	CKSSYB104K10	C 939	(A,109,63)	CKSRYB105K10
C 634	(A,72,61)	CKSSYB104K10	C 940	(A,109,64)	CKSRYB105K10
C 635	(B,76,65)	CKSSYB104K10	C 941	(A,109,66)	CKSRYB105K10
C 636	(A,71,57)	CKSSYB104K10	C 942	(A,109,67)	CKSRYB105K10
C 637	(A,71,55)	CKSRYB104K16	C 943	(A,109,68)	CKSRYB105K10
C 638	(A,72,51)	CKSRYB104K16	C 944	(A,125,83) Capacitor	CEVLW470M16
C 639	(A,76,46)	CKSRYB104K16	C 1101	(B,121,103)	CKSRYB105K10
C 641	(A,80,46)	CKSRYB104K16	C 1102	(B,121,101)	CKSSYB104K10
C 642	(A,83,46)	CKSRYB104K16	C 1106	(B,117,94)	CKSSYB104K10
C 643	(A,84,45)	CKSSYB104K10	C 1108	(B,116,96)	CKSSYB104K10
C 644	(A,86,45)	CKSRYB104K16	C 1110	(B,116,94)	CKSSYB104K10
C 645	(A,89,46)	CKSRYB104K16	C 1112	(B,115,96)	CKSSYB104K10
C 646	(A,92,46)	CKSSYB104K10	C 1114	(B,114,94)	CKSSYB104K10
C 647	(A,93,45)	CKSSYB104K10	C 1115	(B,116,110)	CKSRYB105K10
C 648	(A,97,46)	CKSSYB104K10	C 1116	(B,113,96)	CKSSYB104K10
C 649	(A,101,46)	CKSSYB104K10	C 1117	(B,114,110)	CKSRYB105K10
C 651	(B,109,47) 0.1 uF	CCG1321	C 1118	(B,113,94)	CKSSYB104K10
C 654	(B,157,100)	CKSRYB105K10	C 1119	(B,113,110)	CKSRYB105K10
C 655	(B,157,94)	CKSSYB104K10	C 1120	(B,112,96)	CKSSYB104K10
C 656	(B,110,47)	CCSRCH102J50	C 1121	(B,112,110) (F)	CKSSYB105K10

	1	2	3	4
	<u>Circuit Symbol and No.</u>	<u>Part No.</u>	<u>Circuit Symbol and No.</u>	<u>Part No.</u>
	C 1122 (B,111,94)	CKSSYB104K10		
	C 1123 (B,110,110) (F)	CKSSYB105K10	C 1306 (A,19,117)	CKSQYB225K16
	C 1124 (B,111,96)	CKSSYB104K10	C 1307 (A,17,120) 4.7 uF	CCG1291
A	C 1125 (B,109,110) (F)	CKSSYB105K10	C 1308 (B,52,119)	CKSRYB104K50
	C 1126 (B,110,94)	CKSSYB104K10	C 1313 (A,66,124) 4700 uF/16V	CCH2085
			C 1315 (A,14,122) 0.1 uF	CCG1311
	C 1127 (B,103,98) 10 uF	CCG1192		
	C 1128 (B,107,99)	CKSSYB104K10	C 1316 (B,22,112) 10 uF	CCG1192
	C 1129 (B,105,98)	CKSSYB104K10	C 1318 (A,23,121) 0.47 uF	CCG1317
	C 1132 (B,105,103) 10 uF	CCG1192	C 1319 (A,30,121) 0.47 uF	CCG1317
	C 1133 (B,103,100) 10 uF	CCG1192	C 1320 (A,18,122) 4.7 uF	CCG1291
			C 2010 (B,60,29)	CKSRYB105K10
	C 1134 (B,120,99) (C,E,F,G)	CKSSYB104K10		
	C 1135 (B,108,96)	CCSSCH271J50	C 2011 (B,53,27)	CKSRYB105K10
	C 1136 (B,121,107)	CKSRYB105K10	C 2017 (B,60,32)	CKSSYB104K10
	C 1137 (B,121,105)	CKSRYB105K10	C 2202 (A,44,31)	CKSSYB104K10
B	C 1138 (B,121,104)	CKSRYB105K10	C 2203 (A,40,31)	CKSSYB104K10
	C 1202 (A,67,98) Capacitor	CEVW470M16	C 2204 (A,41,33) 10 uF	CCG1192
	C 1203 (A,64,91)	CKSSYB104K10	C 2205 (A,45,23) 10 uF	CCG1192
	C 1206 (A,52,99) Capacitor	CEVW470M16	C 2206 (A,33,25)	CKSSYB104K10
	C 1208 (B,40,93)	CKSRYB105K10	C 2208 (A,32,24)	CKSSYB224K6R3
	C 1209 (B,41,92)	CKSRYB105K10	C 2209 (A,31,24)	CKSSYB102K50
	C 1210 (B,42,95)	CKSRYB105K10	C 2210 (A,33,19)	CKSSYB104K10
	C 1211 (B,43,95)	CKSRYB105K10	C 2212 (A,19,22)	CCSSCH220J50
	C 1212 (B,45,95)	CKSRYB105K10	C 2213 (A,19,20)	CCSSCH271J50
	C 1213 (B,46,95)	CKSRYB105K10	C 2216 (A,41,22)	CKSSYB104K10
	C 1214 (B,47,95)	CKSRYB105K10	C 2219 (A,30,14)	CCSSCH102J50
C	C 1215 (B,49,95)	CKSRYB105K10	C 2220 (A,19,15)	CCSSCH471J50
	C 1216 (B,50,95)	CKSRYB105K10	C 2224 (A,35,17)	CKSSYB152K50
	C 1217 (B,51,95)	CKSRYB105K10	C 2234 (A,15,23)	CCSSCH100D50
	C 1218 (B,51,92)	CKSRYB105K10	C 2238 (B,44,26)	CCSSCH101J50
	C 1219 (B,53,92)	CKSRYB105K10	C 2239 (B,45,24)	CCSSCH101J50
	C 1220 (B,54,92)	CKSRYB105K10	C 2401 (B,147,106)	CKSSYB222K50
	C 1223 (A,60,100) Capacitor	CEVW470M16	C 2402 (B,147,105)	CCSSCH270J50
	C 1224 (B,55,71)	CCG1332	C 2403 (B,141,94)	CKSSYB104K16
	C 1225 (A,62,86)	CKSSYB104K10	C 2404 (A,140,108) Capacitor	CEVLW470M16
	C 1226 (A,69,89) Capacitor	CEVW470M16	C 2405 (A,151,97)	CEVW101M16
	C 1228 (B,53,75)	CKSSYB104K10	C 2406 (B,149,98)	CKSRYB105K10
D				
	C 1229 (B,46,76)	CKSSYB104K10	C 2407 (B,150,93)	CKSSYB102K50
	C 1231 (B,40,85)	CCSSCH151J50	C 2408 (B,150,95)	CKSSYB472K25
	C 1234 (B,59,86)	CCSSCH151J50	C 2409 (B,150,96)	CKSSYB104K16
	C 1235 (B,40,87)	CKSSYB102K50	C 2410 (B,150,106)	CCSSCH681J50
	C 1236 (B,58,87)	CKSSYB102K50	C 2412 (B,145,105) 0.1 uF	CCG1286
	C 1237 (A,73,94) 0.1 uF	CCG1311	C 2414 (A,152,104)	CKSSYB104K10
	C 1238 (A,79,90) 0.1 uF	CCG1311	C 2415 (A,143,100) 22 uF	CCG1254
	C 1241 (B,52,75)	CKSSYB472K50	C 2551 (B,31,43)	CKSSYB104K10
	C 1271 (A,79,100) 1 uF	CCG1325	C 2563 (A,15,45)	CKSRYB104K50
	C 1272 (B,65,100) 1 uF	CCG1325	C 2601 (B,49,60) 10 uF	CCG1192
E				
	C 1273 (B,61,101) 1 uF	CCG1325	C 2604 (B,51,69)	CKSSYB103K16
	C 1274 (B,65,102) 1 uF	CCG1325	C 2605 (B,51,70)	CKSSYB104K10
	C 1275 (B,61,103) 1 uF	CCG1325	C 2606 (B,49,63)	CKSSYB104K10
	C 1276 (B,65,104) 1 uF	CCG1325	C 2607 (B,49,64)	CKSSYB103K16
	C 1277 (B,65,113) 1 uF	CCG1325	C 2608 (B,56,76)	CKSSYB103K16
	C 1278 (B,62,111) 1 uF	CCG1325	C 2609 (B,56,77)	CKSSYB104K10
	C 1279 (B,60,111) 1 uF	CCG1325	C 2610 (A,53,82)	CKSSYB104K10
	C 1280 (B,75,112) 1 uF	CCG1325	C 2611 (A,53,83)	CKSSYB103K16
	C 1282 (A,77,100) 1 uF	CCG1325	C 2902 (B,88,21) 4.7 uF	CCG1201
	C 1283 (B,59,107) 1 uF	CCG1325	C 2904 (B,89,24) 4.7 uF	CCG1201
F				
	C 1284 (B,42,84)	CKSSYB103K16	C 2905 (B,86,22)	CKSSYB104K10
	C 1285 (B,56,83)	CKSSYB103K16	C 2906 (B,84,26)	CKSSYB104K10
	C 1301 (B,28,117) 4.7 uF	CCG1201	C 2909 (A,94,26)	CKSRYB105K10
	C 1304 (A,27,121)	CKSRYB474K16	C 2916 (A,108,20) Capacitor	CEVLW221M4
	C 1305 (A,34,122)	CKSRYB474K16	C 3001 (B,33,87) 10 uF	CCG1192

5
Circuit Symbol and No.

6
Part No.

7
Circuit Symbol and No.

8
Part No.

C 3003 (A,59,91)
C 3006 (A,17,72)
C 3051 (A,108,128)
C 3052 (B,97,124)
C 3053 (B,99,119) (A,B,C,D,E)
C 3053 (FA,B,C,D,E)

CEVW101M16
CKSSYB104K10
CCSSCH101J50
CKSRYB104K50
CKSRYB104K50
CKSRYB105K16

IC 5301 (A,37,55) IC
IC 5401 (A,48,65) Interface IC

TC7SH08FUS1
BU90R104

C 3054 (B,103,124) 2.2 uF
C 3055 (B,83,117) 4.7 uF
C 3056 (B,83,111) 4.7 uF
C 3057 (B,87,115) 4.7 uF
C 3058 (B,87,110) 4.7 uF

CCG1218
CCG1201
CCG1201
CCG1201
CCG1201

Q 5201 (A,73,105) Resistor Built-IN TR
Q 5202 (A,64,98) Transistor
Q 5301 (A,95,74) Bipolar TR
Q 5302 (A,98,78) Bipolar TR
D 5101 (A,115,82) Diode

LTC024EEB
2SAR502UB
LSAR523UB
LSCR523UB
RB060M-30

C 3059 (B,83,114) 4.7 uF
C 3060 (B,87,112) 4.7 uF
C 3061 (B,103,120) 2.2 uF
C 3062 (B,99,118)
C 3063 (B,97,126)

CCG1201
CCG1201
CCG1218
CCSSCH101J50
CCSSCH101J50

D 5102 (A,100,59) Diode
D 5201 (A,79,94) Schottky Diode
D 5202 (A,67,100) Diode
D 5203 (A,70,100) Diode
D 5204 (A,68,106) Diode

CRG03
DB2J41100
RB548W
RB548W
RB548W

C 3064 (B,99,120)
C 3065 (B,97,113)
C 3066 (B,96,116)
C 3067 (A,111,123)
C 3069 (A,110,123)

CCSSCH101J50
CCSSCH101J50
CCSSCH560J50
CCSSCH560J50
CKSSYB104K10

L 5102 (A,111,79) Inductor
L 5201 (A,83,95) Choke Coil 22 uH
L 5301 (A,54,36) Inductor
L 5303 (A,38,51) Ferrite Bead
L 5304 (A,36,52) Chip Beads

CTH1558
CTH1426
CTF1765
CTF1528
VTL1126

C 3091 (A,88,108)
C 3101 (B,165,118) 10 uF
C 3102 (B,154,114)
C 3147 (A,130,117)
C 3148 (A,138,123)

CKSSYB471K50
CCG1192
CKSSYB104K10
CKSSYB102K50
CKSSYB102K50

L 5401 (A,39,52) Chip Beads
L 5402 (A,39,57) Chip Beads
L 5403 (A,40,52) Chip Beads
L 5404 (A,41,57) Chip Beads
L 5405 (A,41,53) Chip Beads

VTL1126
VTL1126
VTL1126
VTL1126
VTL1126

C 3149 (A,140,121)
C 3150 (A,135,123)
C 3151 (A,133,123)
C 3153 (A,139,127)
C 3154 (B,153,130)

CKSSYB102K50
CCSSCH180J50
CCSSCH180J50
CKSSYB102K50
CCSSCH101J50

L 5406 (A,42,57) Chip Beads
L 5407 (A,41,60) Chip Beads
L 5408 (A,43,52) Chip Beads
L 5409 (A,44,56) Chip Beads
L 5410 (A,44,53) Chip Beads

VTL1126
VTL1127
VTL1126
VTL1126
VTL1126

C 3221 (A,140,116)
C 3222 (A,141,118)
C 3231 (A,146,119)
C 3232 (A,153,117) 10 uF
C 3233 (A,153,119)

CKSSYB104K10
CKSSYB104K10
CKSSYB104K10
CCG1192
CKSSYB104K10

L 5411 (A,45,56) Chip Beads
L 5412 (A,46,53) Chip Beads
L 5413 (A,47,53) Chip Beads
L 5414 (A,48,54) Chip Beads
L 5415 (A,49,57) Chip Beads

VTL1126
VTL1126
VTL1126
VTL1126
VTL1126

C 3234 (A,150,119)
C 3235 (A,143,119)
C 3236 (A,143,125)
C 3237 (A,144,125)
C 3238 (A,146,125)

CKSSYB104K10
CKSSYB104K10
CKSRYB105K10
CKSRYB105K10
CKSRYB105K10

L 5416 (A,50,54) Chip Beads
L 5417 (A,50,57) Chip Beads
L 5418 (A,51,54) Chip Beads
L 5419 (A,51,57) Chip Beads
L 5420 (A,58,73) Chip Solid

VTL1126
VTL1126
VTL1126
VTL1126
XTL3010

C 3239 (A,147,125)
C 3240 (A,149,125)
C 3241 (A,150,125)
C 3242 (A,152,125)
C 3243 (A,154,125)

CKSRYB105K10
CKSRYB105K10
CKSRYB105K10
CKSRYB105K10
CKSRYB105K10

L 5421 (A,56,73) Chip Solid
L 5422 (A,60,76) Chip Ferrite Bead
L 5428 (A,39,67) Chip Beads
TH5001 (A,121,22) Thermistor
CN5001 (A,128,32) Connector

XTL3010
CTF1869
VTL1126
CCX1084
CKS6625

C 3271 (A,113,120)
C 3272 (A,113,119)
C 3281 (A,126,124)
C 3282 (A,127,123)

CCSSCH221J50
CCSSCH221J50
CCSRCH101J50
CCSRCH101J50

CN5002 (A,129,88) Connector
CN5003 (A,97,52) FFC/FPC Connector
CN5301 (A,35,42) FFC/FPC Connector

CKS4428
CKS6514
CKS6672

RESISTORS

B

Unit Number : CWN9688
Unit Name : Monitor Unit

MISCELLANEOUS

IC 5001 (A,128,47) Interface IC
IC 5101 (A,115,73) Display
IC 5201 (A,81,101) CONV IC

AK4187VN
OZ527ILN
R1290K103A

R 5006 (A,125,46)
R 5010 (A,127,44)
R 5011 (A,129,44)
R 5012 (A,131,45)
R 5033 (A,122,23)

R 5104 (A,114,65)
R 5105 (A,113,65)
R 5106 (A,115,76)
R 5107 (A,113,70)
R 5109 (A,113,68)

R 5110 (A,117,67)
R 5111 (A,118,67)

RS1/16SS161J
RS1/16SS511J
RS1/16SS181J
RS1/16SS680J
RS1/16SS183J

RS1/16SS104J
RS1/16SS104J
RS1/16SS102J
RS1/16SS223J
RS1/16SS563J

RS1/16SS104J
RS1/16SS101J

1

Circuit Symbol and No.

R 5112 (A,120,75)
R 5113 (A,121,74)
R 5114 (A,122,74)

A

R 5119 (A,126,75)
R 5121 (A,124,74)
R 5123 (A,115,79)
R 5201 (A,73,103)
R 5202 (A,76,103)

■

R 5203 (A,75,103)
R 5206 (A,76,102)
R 5207 (A,76,101)
R 5208 (A,87,103)
R 5209 (A,89,102)

B

R 5210 (A,62,96)
R 5211 (A,77,105)
R 5212 (A,76,99)
R 5213 (A,77,99)
R 5214 (A,79,92)

■

R 5216 (A,86,105)
R 5217 (A,84,105)
R 5218 (A,83,106)
R 5219 (A,86,104)
R 5231 (A,73,99)

C

R 5232 (A,69,110)
R 5301 (A,24,65)
R 5302 (A,24,63)
R 5303 (A,25,63)
R 5304 (A,25,65)

■

R 5305 (A,26,66)
R 5307 (A,27,65)
R 5308 (A,28,64)
R 5309 (A,29,65)
R 5310 (A,30,65)

D

R 5311 (A,28,62)
R 5312 (A,29,61)
R 5313 (A,29,59)
R 5314 (A,29,57)
R 5315 (A,30,57)

■

R 5317 (A,29,54)
R 5319 (A,28,52)
R 5321 (A,28,50)
R 5323 (A,15,45)
R 5325 (A,50,48)

E

R 5331 (A,98,71)
R 5333 (A,96,72)
R 5335 (A,98,75)
R 5336 (A,96,76)
R 5337 (A,96,78)

■

R 5340 (A,98,76)
R 5341 (A,96,75)
R 5342 (A,36,50)
R 5344 (A,14,43)
R 5345 (A,14,44)

F

R 5346 (A,32,48)
R 5349 (A,31,48)
R 5401 (A,39,51)
R 5402 (A,39,55)
R 5403 (A,40,51)

R 5404 (A,41,55)
R 5405 (A,41,51)

2

Part No.

RS1/16SS102J
RS1/16SS1202D
RS1/16SS1202D

RS1/16SS105J
RS1/16SS154J
RS1/8SQ2R2J
RS1/16SS8201D
RS1/16SS6800D

RS1/16SS1502D
RS1/16SS9102D
RS1/16SS1802D
RS1/16SS203J
RS1/16SS104J

RS1/16SS103J
RS1/16SS472J
RS1/16SS1003D
RS1/16SS9101D
RS1/8SQ2R2J

RS1/16SS3303D
RS1/16SS5601D
RS1/16SS3902D
RS1/16SS822J
RS1/16SS103J

RS1/16SS332J
RS1/16SS390J
RS1/16SS2R2J
RS1/16SS131J
RS1/16SS470J

RS1/16SS510J
RS1/16SS390J
RS1/16SS1R2J
RS1/16SS750J
RS1/16SS1R5J

RS1/16SS131J
RS1/16SS750J
RS1/16SS820J
RS1/16SS200J
RS1/16SS470J

RS1/16SS560J
RS1/16SS181J
RS1/16SS820J
RS1/16SS473J
RS1/16SS473J

RS1/16SS153J
RS1/16SS105J
RS1/16SS153J
RS1/16SS472J
RS1/16SS101J

RS1/16SS273J
RS1/16SS334J
RS1/16SS470J
RS1/16SS473J
RS1/16SS473J

RS1/16SS473J
RS1/16SS473J
RS1/16SS221J
RS1/16SS221J
RS1/16SS221J

RS1/16SS221J
RS1/16SS221J

3

Circuit Symbol and No.

R 5406 (A,42,55)
R 5407 (A,38,60)
R 5408 (A,43,51)

R 5409 (A,44,55)
R 5410 (A,44,51)
R 5411 (A,45,55)
R 5412 (A,46,51)
R 5413 (A,47,51)

R 5414 (A,48,52)
R 5415 (A,49,56)
R 5416 (A,50,52)
R 5417 (A,50,56)
R 5418 (A,51,52)

R 5419 (A,51,56)
R 5420 (A,50,74)
R 5422 (A,58,68)
R 5423 (A,58,66)
R 5424 (A,58,64)

R 5425 (A,59,60)
R 5426 (A,57,60)
R 5433 (A,38,67)
R 5434 (A,51,76)
R 5435 (A,54,73)

R 5436 (A,53,75)
R 5437 (A,51,75)

CAPACITORS

C 5001 (A,133,38)
C 5002 (A,131,41)
C 5003 (A,126,41)
C 5004 (A,124,38)
C 5005 (A,124,48) 10 uF

C 5006 (A,127,52) 10 uF
C 5007 (A,127,51)
C 5008 (A,125,48)
C 5011 (A,94,56)
C 5015 (A,121,21)

C 5016 (A,121,23)
C 5101 (A,104,61) 10 uF/16 V
C 5103 (A,107,70) 10 uF/16 V
C 5104 (A,107,72) 10 uF/16 V
C 5105 (A,112,67) 1 uF/16V

C 5106 (A,111,72) 1 uF/16V
C 5108 (A,114,68) Capacitor 1 uF
C 5109 (A,116,67)
C 5110 (A,120,80) 10 uF
C 5113 (A,122,75)

C 5120 (A,117,79)
C 5121 (A,123,98)
C 5201 (A,81,106)
C 5203 (A,78,106) Capacitor 1 uF
C 5204 (A,80,106)

C 5205 (A,73,100)
C 5206 (A,77,91)
C 5207 (A,84,101)
C 5208 (A,68,108)
C 5209 (A,88,101) Capacitor 1 uF

C 5210 (A,68,97)
C 5212 (A,70,97)

4

Part No.

RS1/16SS221J
RS1/16SS101J
RS1/16SS221J

RS1/16SS221J
RS1/16SS221J
RS1/16SS221J
RS1/16SS221J
RS1/16SS221J

RS1/16SS221J
RS1/16SS221J
RS1/16SS221J
RS1/16SS221J
RS1/16SS221J

RS1/16SS221J
RS1/16SS103J
RS1/16SS1000D
RS1/16SS1000D
RS1/16SS1000D

RS1/16SS1000D
RS1/16SS1000D
RS1/16SS221J
RS1/16SS473J
RS1/16SS103J

RS1/16SS221J
RS1/16SS103J

CKSSYB103K16
CKSSYB103K16
CKSSYB103K16
CKSSYB103K16
CCG1244

CCG1244
CKSSYB104K10
CKSSYB104K10
CKSSYB104K10
CKSSYB104K10

CKSSYB104K10
DCH1263
DCH1263
DCH1263
CCG1382

CCG1382
DCH1246
CCSSCH101J50
CCG1236
CKSRYB224K16

CKSSYB332K50
CCSRCH101J50
CKSSYB224K6R3
DCH1246
CKSSYB224K6R3

CKSSYB104K10
CKSSYB103K25
CKSSYB102K50
CCG1382
DCH1246

CCG1393
CCG1393

1

2

3

4

5
Circuit Symbol and No.

C 5213 (A,70,106)
 C 5214 (A,67,102)
 C 5215 (A,70,102)

C 5217 (A,66,94) 4.7 uF
 C 5218 (A,77,107)
 C 5219 (A,85,99) 4.7 uF
 C 5220 (A,73,102)
 C 5221 (A,76,100)

C 5222 (A,75,95) 4.7 uF
 C 5224 (A,84,104)
 C 5302 (A,23,61) 4.7 uF
 C 5304 (A,26,68)
 C 5306 (A,28,68)

C 5308 (A,30,68)
 C 5309 (A,31,64)
 C 5310 (A,31,63)
 C 5311 (A,31,61)
 C 5312 (A,31,60)

C 5314 (A,30,58)
 C 5316 (A,31,55)
 C 5318 (A,31,52)
 C 5320 (A,30,50)
 C 5321 (A,55,46)

C 5323 (A,55,45)
 C 5325 (A,56,43) 10 uF
 C 5326 (A,55,33)
 C 5329 (A,54,49)
 C 5330 (A,55,49)

C 5331 (A,57,49) 10 uF
 C 5334 (A,20,47)
 C 5335 (A,18,49) 4.7 uF
 C 5337 (A,18,55)
 C 5340 (A,21,51)

C 5342 (A,28,47) 2.2 uF
 C 5343 (A,96,71)
 C 5344 (A,97,81) 10 uF
 C 5345 (A,36,48)
 C 5346 (A,37,52)

C 5347 (A,30,47)
 C 5348 (A,51,46)
 C 5349 (A,13,45)
 C 5401 (A,37,61)
 C 5403 (A,46,56)

C 5404 (A,46,57)
 C 5405 (A,53,58)
 C 5406 (A,53,57)
 C 5407 (A,56,71)
 C 5408 (A,58,71)

C 5409 (A,55,59)
 C 5410 (A,55,60)
 C 5414 (A,55,78)
 C 5416 (A,59,78) 10 uF
 C 5417 (A,39,66)

C 5418 (A,40,66)
 C 5419 (A,48,73)
 C 5420 (A,48,74)
 C 5421 (A,54,74) 2.2 uF

6
Part No.

CKSRYB104K50
 CKSRYB104K50
 CKSRYB104K50

CCG1222
 CKSSYB682K25
 CCG1212
 CKSSYB103K16
 CKSSYB561K50

CCG1222
 CKSSYB332K50
 CCG1222
 CKSSYB104K16
 CKSSYB104K16

CKSSYB104K16
 CKSSYB102K50
 CKSRYB105K16
 CKSSYB102K50
 CKSSYB104K10

CKSSYB104K10
 CKSSYB104K10
 CKSSYB104K10
 CKSRYB105K10
 CKSSYB102K50

CKSSYB104K16
 CCG1236
 CKSSYB102K50
 CKSSYB102K50
 CKSSYB104K10

CCG1192
 CKSSYB104K16
 CCG1222
 CKSQYB225K16
 CKSQYB334K50

CCG1218
 CKSSYB104K10
 CCG1236
 CCSSCH330J50
 CKSSYB104K10

CKSSYB102K50
 CKSSYB102K50
 CKSRYB105K10
 CCSSCH270J50
 CKSSYB104K10

CKSSYB103K16
 CKSSYB103K16
 CKSSYB104K10
 CKSSYB103K16
 CKSSYB104K10

CKSSYB104K10
 CKSSYB103K16
 CKSSYB103K16
 CCG1192
 CKSSYB104K10

CKSSYB103K16
 CKSSYB103K16
 CKSSYB104K10
 CCG1205

7
Circuit Symbol and No.

Unit Number : CWX4733
Unit Name : DVD Core Unit

MISCELLANEOUS

IC 1002 (B,72,58) IC MM1886A50P
 IC 1004 (B,87,62) IC NJM2856DL3-33
 IC 1005 (B,78,65) IC MM3571A12P
 IC 1201 (A,26,15) IC BD8217EFV
 IC 1401 (B,63,34) Flash ROM Unit CWJ1675

IC 1402 (A,85,20) Flash ROM Unit CWJ1676
 IC 1480 (B,62,13) IC M12L64164A-5TG2Y
 IC 1501 (A,61,20) IC MN2DS0018MA
 Q 1101 (B,63,51) IC LSCR523UB
 Q 1102 (B,67,49) IC LSCR523UB

Q 1103 (B,63,56) Transistor 2SB1132
 Q 1104 (B,63,44) Transistor 2SB1132
 L 1500 (A,44,14) Chip Beads VTL1126
 L 1512 (A,58,5) Inductor CTF1743
 L 1900 (A,91,70) Inductor CTF1487

L 1901 (B,83,65) Inductor CTF1558
 L 1902 (A,81,69) Inductor CTF1734
 X 1501 (A,44,11) Resonator 27.000 MHz CSS1768
 CN1101 (A,41,43) Connector CKS6628
 CN1201 (A,24,35) Connector CKS6640

CN1301 (B,90,12) Connector CKS6704
 CN1901 (A,73,56) Connector CKS6025

RESISTORS

R 1101 (B,60,49) RS1/16SS104J
 R 1102 (B,66,51) RS1/16SS104J
 R 1103 (B,66,53) RS1/16SS391J
 R 1104 (B,61,51) RS1/16SS511J
 R 1105 (B,69,48) RS1/16SS4300F

R 1106 (B,68,51) RS1/16SS5600F
 R 1109 (B,67,53) RS1/16SS3R3J
 R 1110 (B,59,48) RS1/16SS3R3J
 R 1111 (B,59,58) RS1/10SR2R2J
 R 1112 (B,59,53) RS1/10SR2R2J

R 1113 (B,69,46) RS1/10SR3R3J
 R 1114 (B,67,43) RS1/10SR3R9J
 R 1115 (B,59,55) RS1/10SR2R2J
 R 1116 (B,59,56) RS1/10SR2R2J
 R 1117 (B,67,45) RS1/10SR3R9J

R 1118 (B,67,46) RS1/10SR3R9J
 R 1200 (A,32,8) RS1/16SS753J
 R 1201 (A,32,7) RS1/16SS753J
 R 1205 (A,33,21) RS1/16SS1R0J
 R 1210 (B,18,17) RS1/16SS101J

R 1211 (A,18,12) RS1/16SS102J
 R 1212 (A,19,12) RS1/16SS102J
 R 1213 (B,22,20) RS1/10SR1R0J
 R 1214 (B,21,19) RS1/10SR1R0J
 R 1215 (B,23,20) RS1/10SR1R0J

R 1216 (B,26,20) RS1/10SR1R0J
 R 1218 (A,17,11) RS1/16SS1R0J
 R 1219 (A,17,12) RS1/16SS1R0J
 R 1222 (A,18,8) RS1/16SS1R0J
 R 1223 (A,18,7) RS1/16SS1R0J



	1	2	3	4
	<u>Circuit Symbol and No.</u>	<u>Part No.</u>	<u>Circuit Symbol and No.</u>	<u>Part No.</u>
	R 1226 (A,21,27)	RS1/16SS101J	R 1603 (A,41,27)	RN1/16SE1002D
	R 1304 (B,88,22)	RS1/16SS563J	R 1604 (A,53,35)	RS1/16SS105J
	R 1305 (B,88,23)	RS1/16SS243J	R 1605 (A,54,35)	RS1/16SS105J
A	R 1306 (B,89,23)	RS1/16SS683J	R 1611 (A,46,25)	RS1/16SS105J
	R 1307 (B,88,21)	RS1/16SS243J	R 1702 (A,47,21)	RS1/16SS3002D
	R 1314 (B,85,22)	RAB4CQ822J	R 1704 (A,41,21)	RS1/16SS2402D
	R 1401 (B,74,31)	RS1/16SS221J	R 1705 (A,40,18)	RS1/16SS1002D
	R 1402 (B,52,30)	RS1/16SS103J	R 1706 (A,41,19)	RS1/16SS101J
	R 1405 (B,78,13)	RS1/16SS103J	R 1905 (A,81,64)	RS1/16SS101J
	R 1406 (B,79,10)	RS1/16SS472J	R 1910 (A,82,70)	RS1/16SS101J
	R 1480 (B,55,21)	RAB4CQ560J	R 1922 (B,78,51)	RS1/16SS101J
	R 1481 (B,60,22)	RAB4CQ560J	R 1923 (B,77,50)	RS1/16SS2000D
	R 1482 (B,64,21)	RAB4CQ560J	R 1934 (A,69,48)	RS1/16SS101J
	R 1483 (B,67,21)	RAB4CQ560J	R 1935 (A,73,47)	RS1/16SS2000D
B	R 1484 (B,70,21)	RAB4CQ560J	R 1940 (B,83,51)	RS1/16SS101J
	R 1485 (B,53,5)	RAB4CQ560J	R 1941 (B,83,50)	RS1/16SS2000D
	R 1486 (B,58,5)	RAB4CQ560J	R 1946 (B,79,56)	RS1/16SS101J
	R 1487 (B,67,5)	RAB4CQ560J	R 1947 (B,82,56)	RS1/16SS2000D
	R 1488 (B,71,5)	RAB4CQ560J		
	R 1489 (B,62,5)	RS1/16SS560J		
			<u>CAPACITORS</u>	
	R 1490 (B,53,21)	RS1/16SS560J	C 1003 (B,73,62)	CKSRYB105K16
	R 1501 (A,46,9)	RS1/16SS122J	C 1004 (B,69,57) 4.7 uF	CCG1201
	R 1503 (A,46,12)	RS1/16SS105J	C 1005 (B,38,7)	CKSRYB105K16
	R 1504 (A,42,14)	RS1/16SS121J	C 1006 (B,32,6)	CKSSYB104K10
	R 1509 (A,64,39)	RS1/16SS102J	C 1007 (A,77,49)	CCSSCH101J50
C	R 1510 (A,65,35)	RS1/16SS102J	C 1008 (B,79,68)	CKSRYB474K10
	R 1512 (A,60,5)	RS1/16SS101J	C 1009 (B,77,62)	CKSRYB474K10
	R 1513 (A,67,43)	RS1/16SS103J	C 1010 (B,85,71) 2.2 uF	CCG1218
	R 1514 (A,68,37)	RS1/16SS183J	C 1011 (B,83,67)	CKSRYB105K10
	R 1515 (A,70,38)	RS1/16SS472J	C 1021 (B,48,12)	CKSRYB102K50
	R 1516 (A,65,41)	RS1/16SS103J	C 1022 (B,41,6)	CKSRYB102K50
	R 1517 (A,77,16)	RS1/16SS103J	C 1101 (B,70,53) 10 uF	CCG1192
	R 1518 (A,77,23)	RS1/16SS103J	C 1104 (B,60,52)	CKSSYB104K10
	R 1522 (A,66,40)	RS1/16SS103J	C 1105 (B,60,48)	CKSSYB104K10
	R 1523 (A,66,38)	RS1/16SS221J	C 1106 (B,61,59)	CKSSYB103K16
D	R 1524 (A,73,42)	RS1/16SS472J	C 1107 (B,64,41)	CKSSYB103K16
	R 1525 (A,69,35)	RS1/16SS223J	C 1108 (A,37,34)	CKSSYB103K16
	R 1526 (A,69,39)	RS1/16SS103J	C 1109 (A,38,33)	CKSRYB224K16
	R 1527 (A,68,35)	RS1/16SS223J	C 1110 (A,36,36)	CKSSYB103K16
	R 1528 (A,78,18)	RS1/16SS103J	C 1111 (A,40,35)	CKSRYB224K16
	R 1529 (A,76,19)	RS1/16SS103J	C 1112 (B,59,44)	CKSYB226K6R3
	R 1530 (B,4,12)	RS1/16SS103J	C 1113 (B,67,56)	CKSYB226K6R3
	R 1531 (A,67,36)	RS1/16SS391J	C 1201 (B,27,16) 4.7 uF	CCG1222
	R 1534 (A,73,38)	RS1/16SS221J	C 1202 (B,27,19)	CKSSYB104K16
	R 1536 (A,71,38)	RS1/16SS103J	C 1205 (A,32,22)	CKSSYB103K16
	R 1537 (A,72,40)	RS1/16SS103J	C 1206 (A,35,22)	CKSSYB104K16
E	R 1538 (A,63,6)	RS1/16SS103J	C 1207 (A,32,19)	CKSSYB104K16
	R 1540 (A,72,39)	RS1/16SS221J	C 1208 (A,32,14)	CKSSYB104K16
	R 1541 (A,74,40)	RS1/16SS221J	C 1212 (A,31,24)	CKSSYB104K16
	R 1542 (A,75,33)	RS1/16SS103J	C 1213 (B,21,25)	CKSSYB222K50
	R 1543 (A,69,37)	RS1/16SS561J	C 1214 (B,21,27)	CKSSYB104K16
	R 1544 (A,76,33)	RS1/16SS103J	C 1218 (A,18,9)	CKSSYB104K16
	R 1545 (A,77,20)	RS1/16SS103J	C 1219 (A,20,7)	CKSSYB104K16
	R 1546 (A,77,22)	RS1/16SS103J	C 1220 (B,22,12)	CEVW101M16
	R 1550 (B,49,27)	RS1/16SS6801F	C 1401 (B,75,31)	CKSSYB103K16
	R 1551 (B,49,25)	RS1/16SS4702F	C 1403 (B,52,33)	CKSSYB104K10
F	R 1556 (A,60,48)	RS1/16SS472J	C 1408 (B,81,13)	CKSSYB104K10
	R 1600 (A,43,25)	RS1/16SSOR0J	C 1480 (B,50,19)	CKSSYB104K10
	R 1601 (A,46,23)	RS1/16SS123J	C 1481 (B,50,20)	CKSSYB104K10
	R 1602 (A,42,24)	RS1/16SS123J	C 1482 (B,58,20)	CKSSYB104K10

1

Circuit Symbol and No.

2

Part No.

R 5507	(B,47,10)	RS1/10SR560J
R 5508	(B,44,11)	RS1/10SR680J
R 5509	(B,47,11)	RS1/10SR272J
R 5513	(B,53,8)	RS1/10SR272J
R 5514	(B,53,7)	RS1/10SR560J
R 5515	(B,56,7)	RS1/10SR680J
R 5516	(B,39,7)	RS1/10SR152J
R 5517	(B,39,6)	RS1/10SR222J
R 5518	(B,64,8)	RS1/10SR472J
R 5519	(B,94,6)	RS1/10SR123J
R 5520	(B,151,19)	RS1/10SR272J
R 5521	(B,150,20)	RS1/10SR560J
R 5522	(B,149,22)	RS1/10SR680J
R 5523	(B,140,13)	RS1/10SR272J
R 5524	(B,148,20)	RS1/10SR560J
R 5525	(B,147,21)	RS1/10SR680J
R 5526	(B,140,14)	RS1/10SR272J
R 5527	(B,143,19)	RS1/10SR560J
R 5528	(B,144,20)	RS1/10SR680J
R 5530	(B,103,7)	RS1/10SR392J
R 5531	(B,100,7)	RS1/10SR332J
R 5532	(B,32,7)	RS1/8SQ153J

CAPACITORS

C 5502 (B,157,16) 10 uF CCG1192

G**Unit Number : EWX2008****Unit Name : Main PCB Unit****MISCELLANEOUS**

IC 1	(A,24,20) IC	BA6247FP
Q 1	(A,14,17) Transistor	LTC024EEB
D 1	(A,16,16) Diode	DZ2J056M0
S 1	(A,27,46) Spring Switch(DEG0)	CSN1081
CN1	(A,25,6) Connector	CKS6063

RESISTORS

R 1	(A,17,13)	RS1/16SS272J
R 2	(A,19,15)	RS1/16SS471J
R 3	(A,23,25)	RS1/16SS102J
R 4	(A,27,26)	RS1/16SS102J
R 5	(A,27,25)	RS1/16SS102J
R 6	(A,16,13)	RS1/16SS183J

CAPACITORS

C 1	(A,12,24)	CEVW101M16
C 2	(A,27,15)	CKSSYB104K16
C 3	(A,21,15)	CKSRYB105K16
C 4	(A,31,25)	CKSSYB104K16
C 5	(A,20,36)	CKSSYB223K16
C 6	(A,14,35)	CKSSYB223K16
C 7	(A,15,11)	CKSSYB104K10

H

3

Circuit Symbol and No.

4

Part No.**Unit Number : EWX2009****Unit Name : SW PCB Unit****MISCELLANEOUS**

S 51	(A,17,7) Spring Switch(CLOSE)	CSN1080
S 52	(A,15,15) Spring Switch(OPEN)	CSN1080
VR51	(A,11,30) Variable Resistor 10 kohm	CCW1029

RESISTORS

R 51	(A,11,12)	RS1/16SS272J
R 52	(A,11,11)	RS1/16SS273J
R 53	(A,11,9)	RS1/16SS472J
R 54	(A,11,10)	RS1/16SS563J

CAPACITORS

C 51	(A,11,19)	CKSSYB104K10
C 52	(A,9,14)	CKSSYB104K10