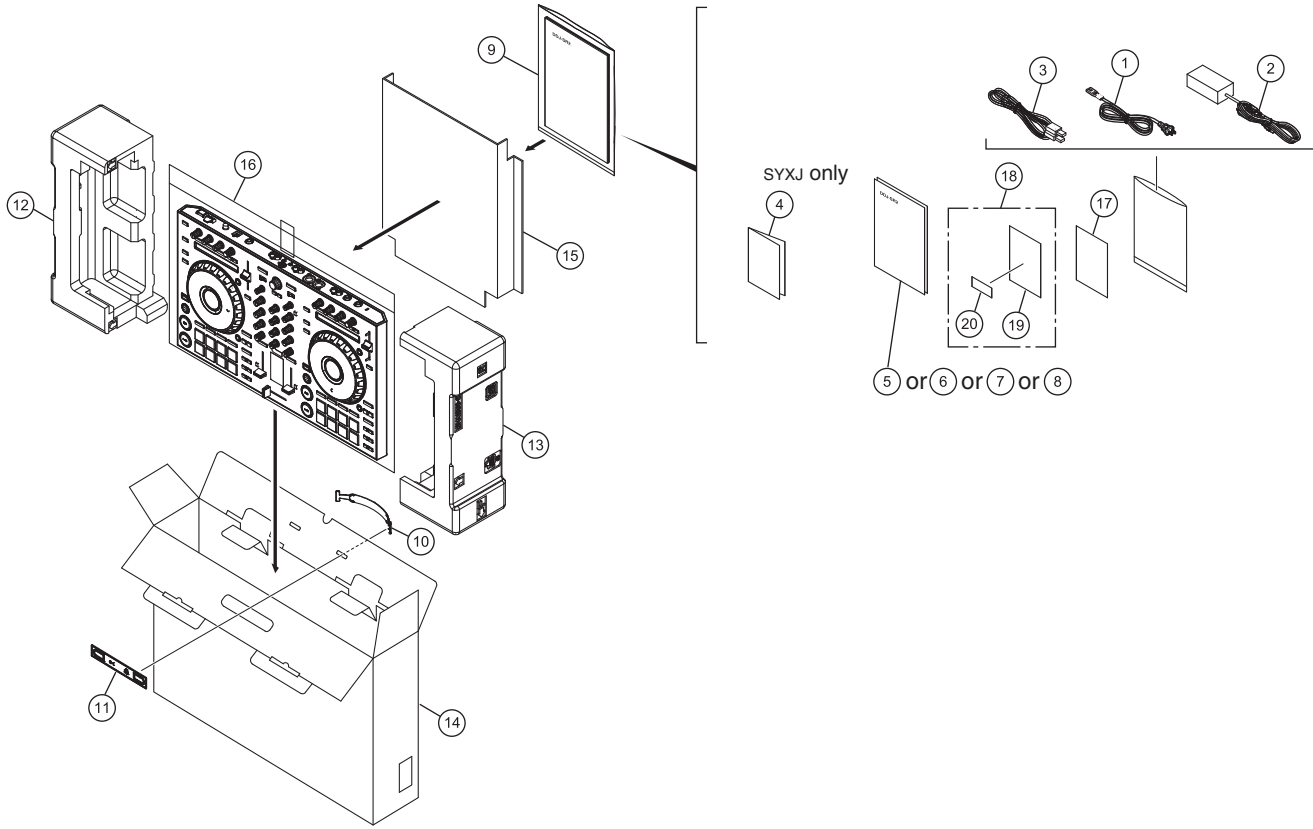


9. EXPLODED VIEWS AND PARTS LIST

NOTES: ● Parts marked by "NSP" are generally unavailable because they are not in our Master Spare Parts List.

- The \triangle mark found on some component parts indicates the importance of the safety factor of the part. Therefore, when replacing, be sure to use parts of identical designation.
- Screws adjacent to ∇ mark on product are used for disassembly.
- For the applying amount of lubricants or glue, follow the instructions in this manual. (In the case of no amount instructions, apply as you think it appropriate.)

9.1 PACKING SECTION



(1) PACKING SECTION PARTS LIST

<u>Mark No.</u>	<u>Description</u>	<u>Part No.</u>	<u>Mark No.</u>	<u>Description</u>	<u>Part No.</u>
⚠	1 Power Cord	See Contrast table (2)	NSP 9	Polyethylene Bag	AHG7117
⚠	2 AC Adapter	See Contrast table (2)	10	Handle	DEC3709
	3 USB Cable	DDE1128	11	Spacer	DEC3710
NSP	4 Warranty	See Contrast table (2)	12	Packing Pad	DHA1955
	5 Operating Instructions (Quick Start Guide)	See Contrast table (2)	13	Packing Pad	DHA1956
	6 Operating Instructions (Quick Start Guide)	See Contrast table (2)	14	Packing Case	See Contrast table (2)
	7 Operating Instructions (Quick Start Guide)	See Contrast table (2)	15	Partition	DHC1095
	8 Operating Instructions (Quick Start Guide)	See Contrast table (2)	16	Packing Sheet	RHC1023
			NSP 17	Leaflet	See Contrast table (2)
			NSP 18	Serato DJ EXPANSION PACK VOUCHER	DEA1067
			NSP 19	Leaflet	DRM1421
			NSP 20	Voucher Code Label Assy	DXA2343

(2) CONTRAST TABLE

DDJ-SR2/SYXJ, UXJCB, XJCN and FWLPWXJ are constructed the same except for the following:

Mark	No.	Symbol and Description	DDJ-SR2 /SYXJ	DDJ-SR2 /UXJCB	DDJ-SR2 /XJCN	DDJ-SR2 /FWLPWXJ
⚠	1	Power Cord	ADG1154	XDG3052	ADG7079	ADG1154
⚠	2	AC Adapter	DWR1571	DWR1571	DWR1551	DWR1551
NSP	4	Warranty	DRY1270	Not used	Not used	Not used
	5	Operating Instructions (Quick Start Guide) (En, Fr, De, It, Ne, Es, Pt, Ru)	DRH1462	Not used	Not used	Not used
	6	Operating Instructions (Quick Start Guide)(En)	Not used	DRH1463	Not used	Not used
	7	Operating Instructions (Quick Start Guide)(Zhc)	Not used	Not used	DRH1465	Not used
	8	Operating Instructions (Quick Start Guide)(En, Es)	Not used	Not used	Not used	DRH1466
	14	Packing Case	DHG3594	DHG3596	DHG3598	DHG3595
NSP	17	Leaflet	DRH1431	DRH1431	DRH1432	DRH1431

9.2 EXTERIOR SECTION (1/2)

1

2

3

4

A

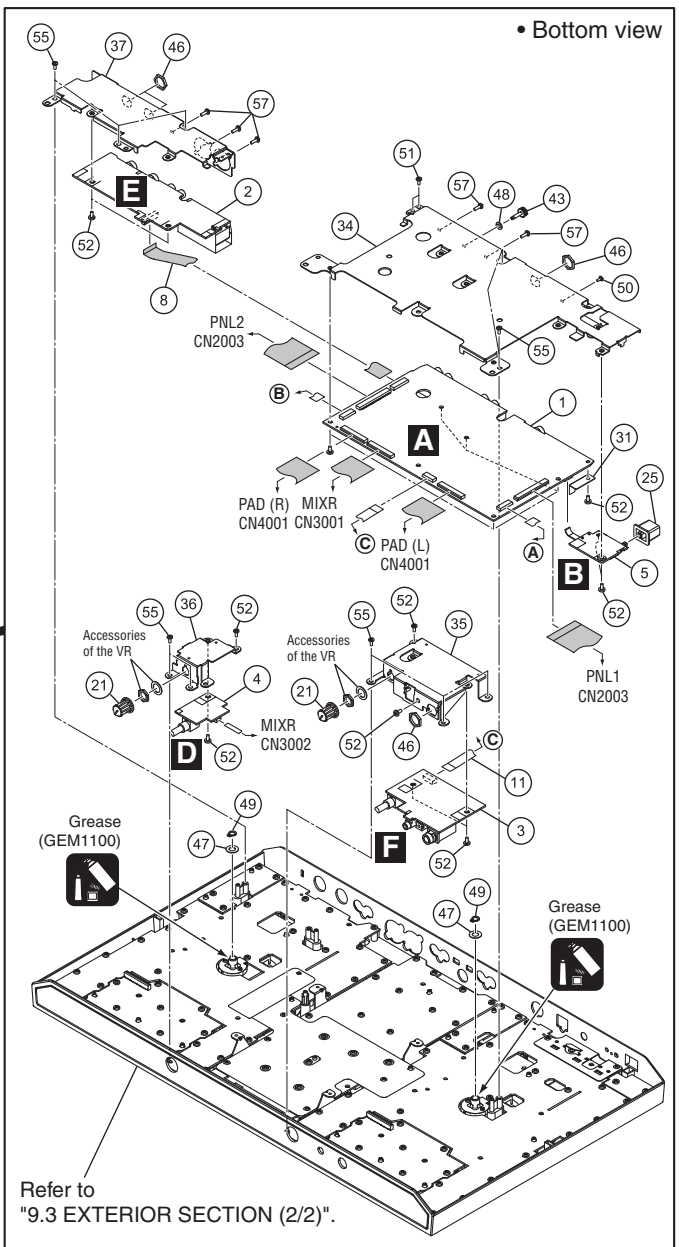
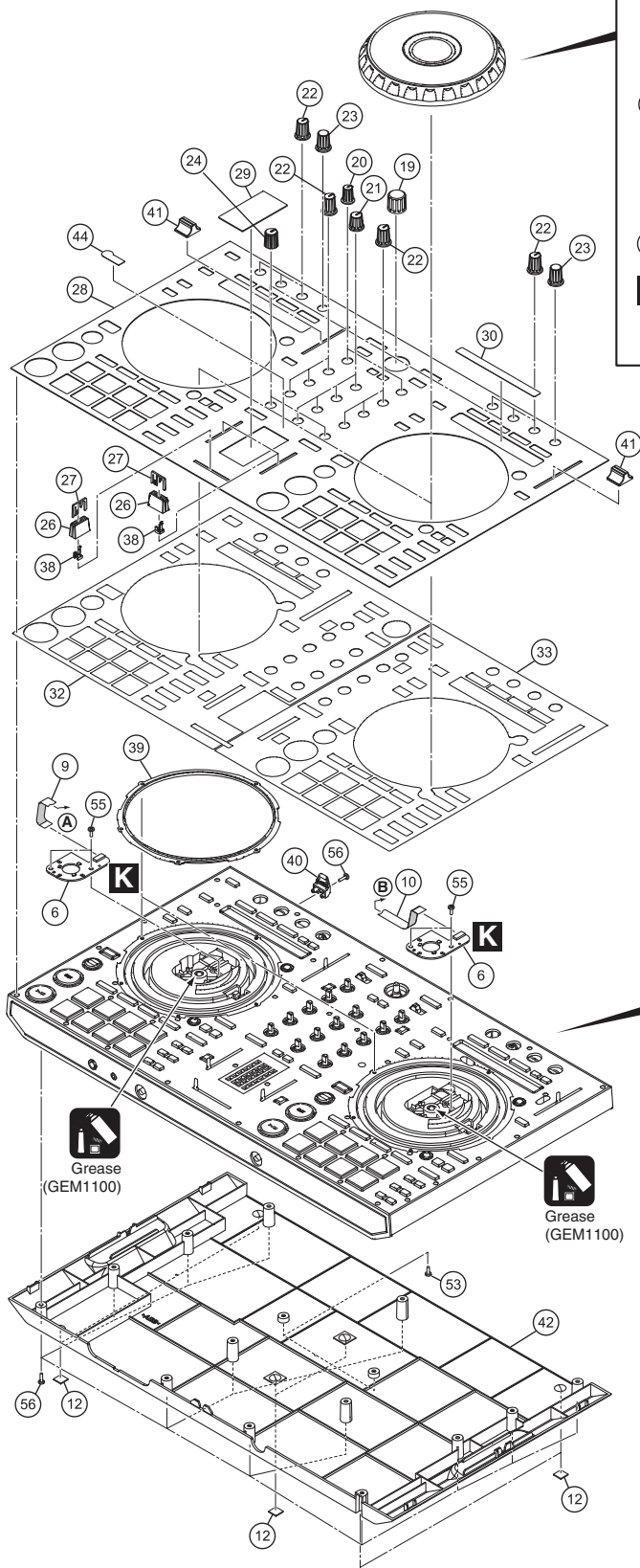
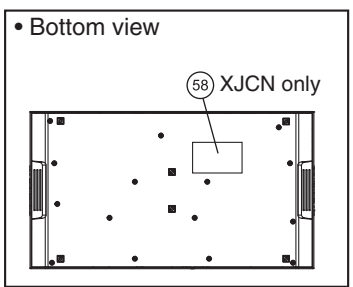
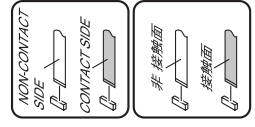
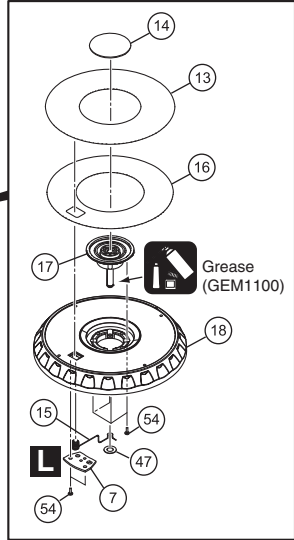
B

C

D

E

F



Refer to "9.3 EXTERIOR SECTION (2/2)".

1

2

3

4

EXTERIOR SECTION (1/2) PARTS LIST

Mark No.	Description	Part No.	Mark No.	Description	Part No.
1	MAIN Assy	DWX4120	△ 31	Barrier	DEC3707
2	MBJK Assy	DWX4128	NSP 32	DS Tape	DEH1085
3	HPJK Assy	DWX4129	NSP 33	DS Tape	DEH1088
4	MCVR Assy	DWX4126	34	Stay	DNH3266
5	PWSW Assy	DWX4127	35	Stay	DNH3267
6	JOG Assy	DWX3903	36	Stay	DNH3268
7	HOLD Assy	DWX4124	37	Stay	DNH3274
8	FFC	DDD1778	38	Stopper/SLD	DNK6009
9	FFC	DDD1779	NSP 39	Ring	DNK6619
10	FFC	DDD1780	40	Hook/CRD	DNK6084
11	FFC	DDD1781	41	Knob	DNK6629
12	Rubber Foot	VEB1349	42	Chassis	DNK6739
13	Plate	DAH3178	43	Earth Terminal	DKE1015
14	Window	DAH3179	44	Label	DRW2734
15	Spring	DBH1812	45	•••••	
16	DS Tape/JOG	DEH1058	46	Nut (M12)	NKX2FNI
17	JOG Dial	DNK6616	47	Washer	WA62D120D050
18	JOG Dial	DNK6737	48	Spring Lock Washer	WS40FNI
19	Dial Knob	DAA1246	49	Washer	YC60FAC
20	Knob	DAA1359	50	Screw (M3*5)	DBA1340
21	Knob	DAA1360	51	Screw	BBZ26P060FTB
22	Knob	DAA1361	52	Screw	BBZ30P060FTC
23	Knob	DAA1362	53	Screw	BBZ30P080FTB
24	Knob	DAA1366	54	Screw	BPZ20P060FTC
25	Power Knob	DAC2306	55	Screw	BPZ30P080FNI
26	Slider Knob 1	DAC2684	56	Screw	BPZ30P100FTB
27	Slider Knob 2	DAC2685	57	Screw	PPZ30P080FTB
NSP 28	Plate	DAH3177	NSP 58	Label	See Contrast table (2)
29	Panel	DAH3103			
30	Sheet	DEC3674			

Note:

Plate (No.28: DAH3177) is bonded to the double-sided tape in the Control panel (No.47: DNK6738), it is difficult to replacement. When replacing the Plate (No.28: DAH3177), please order the following service parts Assy.

Mark	No.	Part Name	Part No.	Remarks
NSP	28	DDJ-SR2 Panel Service Assy Component part	DEA1080	Refer to "9.2 EXTERIOR SECTION (1/2)"
	29	Plate	DAH3177	
	29	Panel	DAH3103	
	30	Sheet	DEC3674	
NSP	32	DS Tape	DEH1085	
NSP	33	DS Tape	DEH1088	
NSP	39	Ring	DNK6619	Refer to "9.3 EXTERIOR SECTION (2/2)"
	44	Label	DRW2734	
NSP	36	Fader Packing	DEC3355	Refer to "9.3 EXTERIOR SECTION (2/2)"
	37	Packing/TMP	DEC3392	
	47	Control Panel	DNK6738	

(2) CONTRAST TABLE

DDJ-SR2/SYXJ, UXJCB, XJCN and FWLPWXJ are constructed the same except for the following:

Mark	No.	Symbol and Description	DDJ-SR2/SYXJ	DDJ-SR2/UXJCB	DDJ-SR2/XJCN	DDJ-SR2/FWLPWXJ
NSP	58	Label	Not used	Not used	DRW2743	Not used

EXTERIOR SECTION (2/2) PARTS LIST

<u>Mark No.</u>	<u>Description</u>	<u>Part No.</u>	<u>Mark No.</u>	<u>Description</u>	<u>Part No.</u>
1	PNL1 Assy	DWX4121	46	CDC Stopper	DNK5863
2	PNL2 Assy	DWX4122	NSP 47	Control Panel	DNK6738
3	MIXR Assy	DWX4123	48	Button	DAC3347
4	CDC Assy	DWX3894	49	Button	DAC3351
5	PAD Assy	DWX3902	50	Screw	BBZ30P060FTC
6	FFC	DDD1773	51	Screw	BPZ30P080FNI
7	FFC	DDD1774	52	Screw	IMZ30P040FTC
8	FFC	DDD1775	53	Screw	PMH20P040FTC
9	FFC	DDD1776			
10	FFC	DDD1777			
11	FFC	DDD1782			
12	FFC	DDD1783			
13	SW Cap	DAC2753			
14	Button	DAC3236			
15	Button/MT	DAC2875			
16	Button	DAC3152			
17	Button	DAC3205			
18	Button	DAC3206			
19	Button	DAC3207			
20	Button	DAC3208			
21	Button	DAC3209			
22	Button	DAC3210			
23	Button	DAC3212			
24	Button	DAC3213			
25	Button	DAC3350			
26	Button	DAC3348			
27	Button	DAC3216			
28	Button	DAC3352			
29	Button	DAC3349			
30	Button	DAC3219			
31	•••••				
32	Button	DAC3221			
33	Button	DAC3222			
34	Button	DEB2035			
35	Gasket	DEC3719			
36	Fader Packing	DEC3355			
37	Packing/TMP	DEC3392			
38	Sheet	DEC3671			
39	Sheet	DEC3672			
40	Sheet	DEC3673			
⚠ 41	Barrier	DEC3706			
42	Plate/CND	DNH3137			
43	Stay	DNH3340			
44	Stay	DNH3265			
45	Stay	DNH3273			

12. PCB PARTS LIST

NOTES: ● Parts marked by "NSP" are generally unavailable because they are not in our Master Spare Parts List.

● The Δ mark found on some component parts indicates the importance of the safety factor of the part. Therefore, when replacing, be sure to use parts of identical designation.

● When ordering resistors, first convert resistance values into code form as shown in the following examples.

Ex.1 When there are 2 effective digits (any digit apart from 0), such as 560 ohm and 47 k ohm (tolerance is shown by J = 5%, and K = 10%).

$560 \Omega \rightarrow 56 \times 10^1 \rightarrow 561 \dots\dots\dots RD1/APU \begin{matrix} \boxed{5} & \boxed{6} & \boxed{7} & J \end{matrix}$
 $47 \text{ k}\Omega \rightarrow 47 \times 10^3 \rightarrow 473 \dots\dots\dots RD1/APU \begin{matrix} \boxed{4} & \boxed{7} & \boxed{3} & J \end{matrix}$
 $0.5 \Omega \rightarrow R50 \dots\dots\dots RN2H \begin{matrix} \boxed{R} & \boxed{5} & \boxed{0} & K \end{matrix}$
 $1 \Omega \rightarrow 1R0 \dots\dots\dots RSIP \begin{matrix} \boxed{1} & \boxed{R} & \boxed{0} & K \end{matrix}$

Ex.2 When there are 3 effective digits (such as in high precision metal film resistors).

$5.62 \text{ k}\Omega \rightarrow 562 \times 10^1 \rightarrow 5621 \dots\dots\dots RN1/4PC \begin{matrix} \boxed{5} & \boxed{6} & \boxed{2} & \boxed{1} & F \end{matrix}$

Mark	No.	Description	Part No.	Mark	No.	Description	Part No.
LIST OF ASSEMBLIES				Q	205,208		RSR020P05
		1..MAIN ASSY	DWX4120	Q	206,209		RTQ045N03
NSP		1..PNL1 ASSY	DWM2675	Q	207,418		RN4983S1
		2..PNL1 ASSY	DWX4121	Q	401,404,414,617		LSCR523UB
		2..HOLD ASSY	DWX4124	Δ	Q 402,410,411		RTQ040P02
NSP		1..PNL2 ASSY	DWM2676	Q	403,609,611,614		LTA024EEB
		2..PNL2 ASSY	DWX4122	Q	405,409,412,601		RN1903S1
		2..HOLD ASSY	DWX4124	Δ	Q 406,415		RSQ035P03
C		1..MIXA ASSY	DWM2677	Q	407,425-427,429		LSAR523UB
		2..MCVR ASSY	DWX4126	Q	431,607,608,903		LSAR523UB
		2..PWSW ASSY	DWX4127	Q	602,604,606		2SB1689
		2..MIXR ASSY	DWX4123	Q	603,605		RN1903S1
		2..MBJK ASSY	DWX4128	Δ	Q 610,612,615,616		LTC024EEB
		2..HPJK ASSY	DWX4129	Q	613		RTQ045N03
NSP		1..PADJ ASSY	DWM2632	Q	901,902		LSCR523UB
		2..CDC ASSY	DWX3894	Q	1301,1303,1402,1403		INC2002AC1
		2..PAD ASSY	DWX3902	Q	1302,1401,1502		LTA024EEB
		2..JOG ASSY	DWX3903	Q	1501		INC2002AC1
				D	203,406,408,412		DA2J101
				D	205,212-215,402		RB551VM-30
				D	206-209		DB2J41100
				D	403,407,415		RB060M-30
				D	405		DZ2J075M0
				D	410		DZ2J150M0
				D	413		DZ2J051M0
				D	414,417		DA2J101
				D	901,902		RB160M-30
				D	1301,1302,1402,1403		DAN217UM
				D	1501		DAN217UM
				D	1502		DZ2S180C
MAIN ASSY				MISCELLANEOUS			
SEMICONDUCTORS				L	201 SMD SPL INDUCTOR		DTH1213
Δ	IC	201,202	MM3411A33N	L	202-205 POWER INDUCTOR		ATH7011
Δ	IC	203,401	BD9328EFJ	L	207,603,604 INDUCTOR		CTF1793
Δ	IC	204,206	BD9851EFV	L	209,210,213-216 INDUCTOR		CTF1389
	IC	205	S-80942CNMC-G9C	L	301-311,605,606 INDUCTOR		CTF1786
	IC	207	NJM2886DL3-05	L	401 COIL		CTH1475
NSP	IC	601	R5S72690RW266FP	L	601 COIL		ATH7015
NSP	IC	602	DYW2057*	L	611,616,618-623 INDUCTOR		CTF1786
	*Part number of the initial firmware equipped			L	628,630,631 INDUCTOR		CTF1786
	IC	603	S-80927CNMC-G8X	L	1301,1401,1501 CHIP COIL		BTH1104
	IC	606	TC74HC4052AFT	JA	401 DC POWER JACK		DKN1649
	IC	901,1101	AK4382AVT	JA	601 USB CONNECTOR		DKN1237
	IC	902,903,1001,1102	NJM4580MD	JA	1301,1401 RCA JACK		DKB1120
	IC	1103,1201,1301,1303	NJM4580MD	JA	1501 6.5 DIA JACK		DKN1653
	IC	1202	AK4387ET				
	IC	1302,1402,1502	AK5358AET				
	IC	1401,1403,1501	NJM4580MD				
Q		201,203,413,432	LTC124EUB				
Q		202	RTQ040P02				
Q		204,428,430	LSC4081UB				

Mark	No.	Description	Part No.
------	-----	-------------	----------

Mark	No.	Description	Part No.
------	-----	-------------	----------

A	C	237,253,263,267	CKSRYB105K10
	C	240,271	CKSSYB682K25
	C	242,245,273,276	CKSRYB104K25
	C	243,247,274,278	CCG1236
	C	246,249,277,280	CKSQYB105K25
B	C	248,250,279,281	CCSSCH102J50
	C	251,252,930,934(220 uF/25 V)	DCH1341
	C	262	CCSSCH561J50
	C	268,417	CKSRYB105K10
	C	284	CKSRYB334K10
C	C	287,1315,1408,1507(2.2 uF/10V)	CCG1218
	C	401(10 uF/25 V)	CCG1221
	C	402,404,701,1225	CKSRYB104K16
	C	406,410,429	CKSRYB103K50
	C	413	CEVW470M16
D	C	414(1 uF/25 V)	ACE7129
	C	415,618-620	CKSSYB103K16
	C	416,419,420,426	CKSSYB104K16
	C	418,435,438,925	CKSRYB104K25
	C	425,611,640,641	CKSSYB102K50
E	C	428(100 uF/16 V)	CCH1565
	C	431	CKSQYB104K25
	C	434,436,437	CKSSYB104K16
	C	439-442,1301,1401	CKSSYB104K16
	C	601,602,683,684	CCSSCH120J50
F	C	603,605	CCSSCH100D50
	C	604,607,608	CKSSYB104K10
	C	609,610(47 uF/16 V)	CCH1961
	C	612-614,645,656	CKSSYB104K10
	C	615,616	CKSSYB471K50
G	C	622-626,628-639	CKSSYB103K16
	C	642,644,646,654	CKSSYB103K16
	C	647,648,650,653	CKSSYB102K50
	C	655,659,661,662	CKSSYB103K16
	C	657,670-672,677	CKSSYB104K10
H	C	658,710(10 uF/10 V)	DCH1201
	C	660,663-665,678	CKSSYB102K50
	C	674,675,685-695	CKSSYB103K16
	C	676	CKSQYB105K25
	C	679,904,1104	CKSSYB102K50
I	C	680,697,698,700	CKSSYB104K10
	C	681	CCSSCH470J50
	C	696	CKSRYB224K16
	C	702,704,706,709	CKSSYB104K10
	C	703,705,707,708	CKSRYB471K50
J	C	712,715,718,720	CKSSYB104K10
	C	722,905,1105,1215	CKSSYB104K10
	C	901,1101,1213,1316	CKSSYB103K16
	C	908(220 uF/16 V)	CCH2090
	C	909-912,1111-1114	CCSRCH102J50
K	C	917-924,1119-1126	CCSRCH271J50
	C	928,1141,1142,1304	CKSRYB104K25
	C	931	CKSSYB103K25
	C	933,951-954,1106	CEVW101M25
	C	1006,1110,1129-1132	CEVW101M16
L	C	1107	CEVW101M25
	C	1203,1204	CCSRCH272J50
	C	1205,1206,1509	CCSRCH471J50
	C	1207,1208	CCSRCH220J50

C	1214	CEVW220M6R3
C	1218,1309,1314,1414	CKSSYB104K10
C	1219,1312,1324,1325	CEVW101M16
C	1226,1307,1404,1518	CKSRYB104K16
C	1303,1329,1403,1425(0.012 uF)	ACE7125
C	1305,1514,1515	CKSRYB104K25
C	1306,1320-1323,1405	CCSRCH102J50
C	1310,1311,1326,1332	CEVW220M16
C	1313,1413,1502,1505	CEVW100M16
C	1327,1333,1417,1429(3300 pF)	DCG1049
C	1409(1 uF/10 V)	DCH1266
C	1410,1411,1416,1428	CEVW220M16
C	1412,1422,1423,1503	CEVW101M16
C	1415	CKSSYB103K16
C	1418-1421,1501	CCSRCH102J50
C	1504,1506	CKSRYB104K10
C	1508	CCSRCH222J50
C	1510	CEVW101M16
C	1511	CKSSYB104K16
C	1513	CCSRCH101J50
C	1517	CCSRCH221J50
C	1519	CEVW100M16

PNL1 ASSY
Consists of
PNL1 ASSY
HOLD ASSY

GL PNL1 ASSY
SEMICONDUCTORS

IC	2001	TC74HC4051AF
IC	2002	DYW1959
Q	2001-2003,2006,2008	LTC124EUB
Q	2007,2009,2011,2013	2SB1689
Q	2010,2012,2014,2016	LTC124EUB
Q	2015,2017,2019,2055	2SB1689
Q	2018,2054	LTC124EUB
Q	2022,2023,2037	LSCR523UB
Q	2051,2052	2SC4154-11
Q	2058-2063	LSAR523UB
D	2001-2012,2017-2019	DA2J101
D	2013,2058	LTL17KGH5D
D	2022,2024,2052,2053	DA2J101
D	2026-2031,2033,2034	LTL17KRH5D
D	2036-2040,2049,2057	LTL17KRH5D
D	2048,2050,2059,2065	LTL17KCBH5D
D	2051	RB501VM-40
D	2056	LTL17KSL5D
D	2060-2064	LTL17KRH5D
D	2069-2073	DA2J101
D	2074,2075	MC2848-11

MISCELLANEOUS

L	2001,2002,2004	INDUCTOR	CTF1379
KN	2001	EARTH TERMINAL	AKF7002
VR	2001-2003	ROTARY VR	DCS1117
VR	2004	VARIABLE RESISTOR	DCV1011
S	2001,2005-2010	TACT SWITCH	DSG1079
S	2002,2003	TACT SWITCH	DSG1117
S	2012-2018,2022-2025	TACT SWITCH	DSG1079

Mark No.	Description	Part No.
S 2021	ROTARY ENCODER	DSX1133
S 2027-2032	TACT SWITCH	DSG1079
CN2003	40P CONNECTOR	VKN2007
CN2004	8P CONNECTOR	VKN1239
PC 2001,2002	PHOTO INTERRUPTER	RPI-579N1
VA 2001,2002	SMD VARISTOR	EZJZ1V80010

RESISTORS

R 2002	RS1/4SA223J
R 2041,2042,2046,2049	RS1/4SA0R0J
R 2050,2267-2269	RS1/4SA0R0J
R 2159,2160(750 ohm)	DCN1187
R 2161	RS1/10SR2202D
R 2264,2265	RS1/10SR2201D
Other Resistors	RS1/10SR###J

CAPACITORS

C 2003,2004,2009,2017	CKSRYB104K16
C 2005,2008,2012-2015	CKSRYB471K50
C 2018,2020,2027,2029	CKSRYB104K16
C 2019,2021,2034,2036(10 uF/16 V)	DCH1263
C 2026	CCSRCH221J50
C 2028,2037(10 uF/10 V)	DCH1201
C 2030	CEJQ101M16
C 2032,2033,2035	CKSRYB104K16
C 2038,2039	CKSRYB392K50

PNL2 ASSY**Consists of****PNL2 ASSY****HOLD ASSY****PNL2 ASSY****SEMICONDUCTORS**

IC 2001	TC74HC4051AF
IC 2002	DYW1959
Q 2001-2003,2006,2008	LTC124EUB
Q 2007,2009,2011,2013	2SB1689
Q 2010,2012,2014,2016	LTC124EUB
Q 2015,2017,2019,2055	2SB1689
Q 2018,2054	LTC124EUB
Q 2022,2023,2037	LSCR523UB
Q 2051,2052	2SC4154-11
Q 2058-2063	LSAR523UB
D 2001-2012,2017-2019	DA2J101
D 2013,2058	LTL17KGH5D
D 2022,2024,2052,2053	DA2J101
D 2026-2031,2033,2034	LTL17KRH5D
D 2036-2040,2049,2057	LTL17KRH5D
D 2048,2050,2059,2065	LTL17KCBH5D
D 2051	RB501VM-40
D 2056	LTL17KSL5D
D 2060-2064	LTL17KRH5D
D 2066,2069-2072	DA2J101
D 2074,2075	MC2848-11

MISCELLANEOUS

L 2001,2002,2004	INDUCTOR	CTF1379
KN2001	EARTH TERMINAL	AKF7002
VR 2001-2003	ROTARY VR	DCS1117
VR 2004	VARIABLE RESISTOR	DCV1011

Mark No.	Description	Part No.
S 2001,2005-2010	TACT SWITCH	DSG1079
S 2002,2003	TACT SWITCH	DSG1117
S 2012-2018,2022-2025	TACT SWITCH	DSG1079
S 2021	ROTARY ENCODER	DSX1133
S 2027-2031	TACT SWITCH	DSG1079
CN2003	40P CONNECTOR	VKN2007
CN2004	8P CONNECTOR	VKN1239
PC 2001,2002	PHOTO INTERRUPTER	RPI-579N1
VA 2001,2002	SMD VARISTOR	EZJZ1V80010

RESISTORS

R 2002	RS1/4SA223J
R 2041,2042,2046,2049	RS1/4SA0R0J
R 2050,2267-2269	RS1/4SA0R0J
R 2159,2160(750 ohm)	DCN1187
R 2161	RS1/10SR2202D
R 2264,2265	RS1/10SR2201D
Other Resistors	RS1/10SR###J

CAPACITORS

C 2003,2004,2009,2017	CKSRYB104K16
C 2005,2008,2012-2015	CKSRYB471K50
C 2018,2020,2027,2029	CKSRYB104K16
C 2019,2021,2034,2036(10 uF/16 V)	DCH1263
C 2026	CCSRCH221J50
C 2028,2037(10 uF/10 V)	DCH1201
C 2030	CEJQ101M16
C 2032,2033,2035	CKSRYB104K16
C 2038,2039	CKSRYB392K50

MIXA ASSY**Consists of****MCVR ASSY****PWSW ASSY****MIXR ASSY****MBJK ASSY****HPJK ASSY****BCDEF MIXA ASSY SEMICONDUCTORS**

IC 3001,3002	TC74HC4051AF
IC 3401	NJM4580MD
Q 3001,3002,3101,3103	LTC124EUB
Q 3102,3104,3106,3108	2SB1689
Q 3105,3107,3109,3112	LTC124EUB
Q 3110,3113,3118,3120	2SB1689
Q 3115,3119	LTC124EUB
Q 3123-3126	LSCR523UB
Q 3301-3304,3311-3316	INC2002AC1
Q 3401,3402	2SK209
Q 3403,3404	INC2002AC1
Q 3405,3407	KTC3209
Q 3406,3408	KTA1281
D 3002-3006,3008-3015	DA2J101
D 3101-3104,3117,3121	LTL17KRH5D
D 3105-3112,3125,3132	LTL17KSL5D
D 3113-3116,3118-3120	LTL17KGH5D
D 3122-3124,3133,3134	LTL17KGH5D
D 3126,3128-3130,3135	LTL17KRH5D
D 3136	LTL17KRH5D

Mark	No.	Description	Part No.
------	-----	-------------	----------

Mark	No.	Description	Part No.
------	-----	-------------	----------

D	3301-3304,3307-3310		DZ2S180C
---	---------------------	--	----------

C	3409,3410(220 uF/6.3 V)		DCH1344
---	-------------------------	--	---------

MISCELLANEOUS

L	3401-3405 INDUCTOR		CTF1389
JA	3301,3302 CANON CONNECTOR		DKB1093
JA	3303 RCA JACK		DKB1120
JA	3304,3305 6.5 DIA JACK		DKN1653
JA	3401 HEADPHONE JACK		DKN1622

PADJ ASSY

Consists of

CDC ASSY

PAD ASSY

JOG ASSY

IJK PADJ ASSY

SEMICONDUCTORS

JA	3402 STEREO MINI JACK		XKN3017
KN	3401 SCREW PLATE		VNE1948
VR	2501,3401 ROTARY VR		DCS1071
VR	3001-3005,3007,3009 ROTARY VR		DCS1116
VR	3006,3008,3010,3014 ROTARY VR		DCS1117

IC	1601		AD7147ACPZ500RL7
Q	1801-1807,1810		LSAR523UB
Q	1811-1813,4041-4047		LSCR523UB
Q	4001,4002,4050-4052		LTC124EUB
Q	4003-4008,4010-4012		LSAR523UB

VR	3011,3013 ROTARY VR		DCS1116
VR	3012,3016 VARIABLE RESISTOR		DCV1024
VR	3015 ROTARY VR		DCS1117
VR	3601 VARIABLE RESISTOR		DCV1023
S	2701 PUSH SW		ASG1102

Q	4009,4017,4025,4033		RN1903
Q	4013,4021,4029,4037		2SB1689
Q	4014-4016,4018-4020		LSAR523UB
Q	4022-4024,4026-4028		LSAR523UB
Q	4030-4032,4034-4036		LSAR523UB

S	3001-3003,3008,3010 TACT SWITCH		DSG1079
S	3006,3007 SLIDE SWITCH		DSH1058
S	3009 ROTARY ENCODER		DSX1133
S	3011 TACT SWITCH		DSG1079
CN	2501 4P CONNECTOR		VKN1264

Q	4038-4040		LSAR523UB
Q	4048,4053-4055		2SB1689
Q	4049		LSCR523UB
D	1601		DZ2J056M0
D	1801-1803,4009-4020		SMLVN6RGB2UK

CN	3001 30P CONNECTOR		VKN1261
CN	3002 4P CONNECTOR		VKN1819
CN	3301 16P CONNECTOR		VKN1247
CN	3401 10P CONNECTOR		VKN1853
	1002 CANON SHIELD		DNF1789

D	4001-4004,4025-4032		DA2J101
D	4005-4008		DAN202UM
D	4033-4040		RB551VM-30

	1003 PHONE SHIELD		DNF1875
JH	2701 3P CABLE HOLDER		51048-0300
JP	2701 JUMPER WIRE		D20PDY0305E
VA	3301,3304,3305,3401 VARISTORS		EZJZ1V270RM
VA	3403 VARISTORS		EZJZ1V270RM

MISCELLANEOUS

L	1601 CHIP SOLID INDUCTOR		XTL3010
S	4001-4004 TACT SWITCH		DSG1079
CN	1601 08P CONNECTOR		VKN1468
CN	1801 10P CONNECTOR		AKN7041
CN	4001 30P CONNECTOR		VKN1620

RESISTORS

R	1801,1815,4012,4014		RS1/10SR470J
R	1802,1816,4013,4015		RS1/10SR471J
R	1803,1806,1809		RS1/10SR390J
R	1804,1807,1810		RS1/10SR271J
R	1805,1808,1811		RS1/10SR120J

RESISTORS

R	3305-3308,3311,3312		RS1/4SA471J
R	3315,3316,3338,3339		RS1/4SA471J
R	3327,3328		RS1/10SR6800D
R	3342,3343,3355-3358		RS1/4SA471J
R	3409,3410		RS1/10SR1002D

R	3411,3412		RN1/16SE1002D
R	3418,3420		RS1/8SQ680J
R	3421,3422		RS1/10SR1001D
R	3423,3425		RS2LMF330J
	Other Resistors		RS1/10SR###J

CAPACITORS

C	2501,3005,3012-3019		CKSRYB104K16
C	3001-3004,3008-3011		CKSRYB471K50
C	3021,3022,3024		CKSRYB471K50
C	3023(10 uF/10 V)		DCH1201
C	3025,3032-3034,3036		CKSRYB104K16

R	4016,4066,4068,4070		RS1/10SR470J
R	4017,4067,4069,4071		RS1/10SR471J
R	4018-4020,4030-4032		RS1/10SR390J
R	4021,4033,4045,4057		RS1/10SR391J
R	4022,4023,4034,4035		RS1/10SR181J

C	3028-3031		CKSRYB471K50
C	3037,3039,3043,3045		CKSRYB104K16
C	3041,3042		CKSRYB103K50
C	3046,3048		CEJQ101M16
C	3047,3322,3324,3326		CKSRYB104K16

R	4025-4027,4036-4038		RS1/10SR120J
R	4042-4044,4054-4056		RS1/10SR390J
R	4046,4047,4058,4059		RS1/10SR181J
R	4048-4050,4060-4062		RS1/10SR120J
	Other Resistors		RS1/16SS###J

C	3301-3304,3309,3310(2200 pF/63 V)		ACE7116
C	3313-3316(2200 pF/63 V)		ACE7116
C	3317,3323,3325,3418		CCSRCH102J50
C	3401,3402,3421,3422		CKSRYB473K50
C	3403,3408,3419,3601		CKSRYB104K16

CAPACITORS

C	1602		CKSSYB103K16
C	1603		CKSSYB104K16
C	1604(10 uF/10 V)		CCG1192
C	1605,1609		CCSSCH101J50