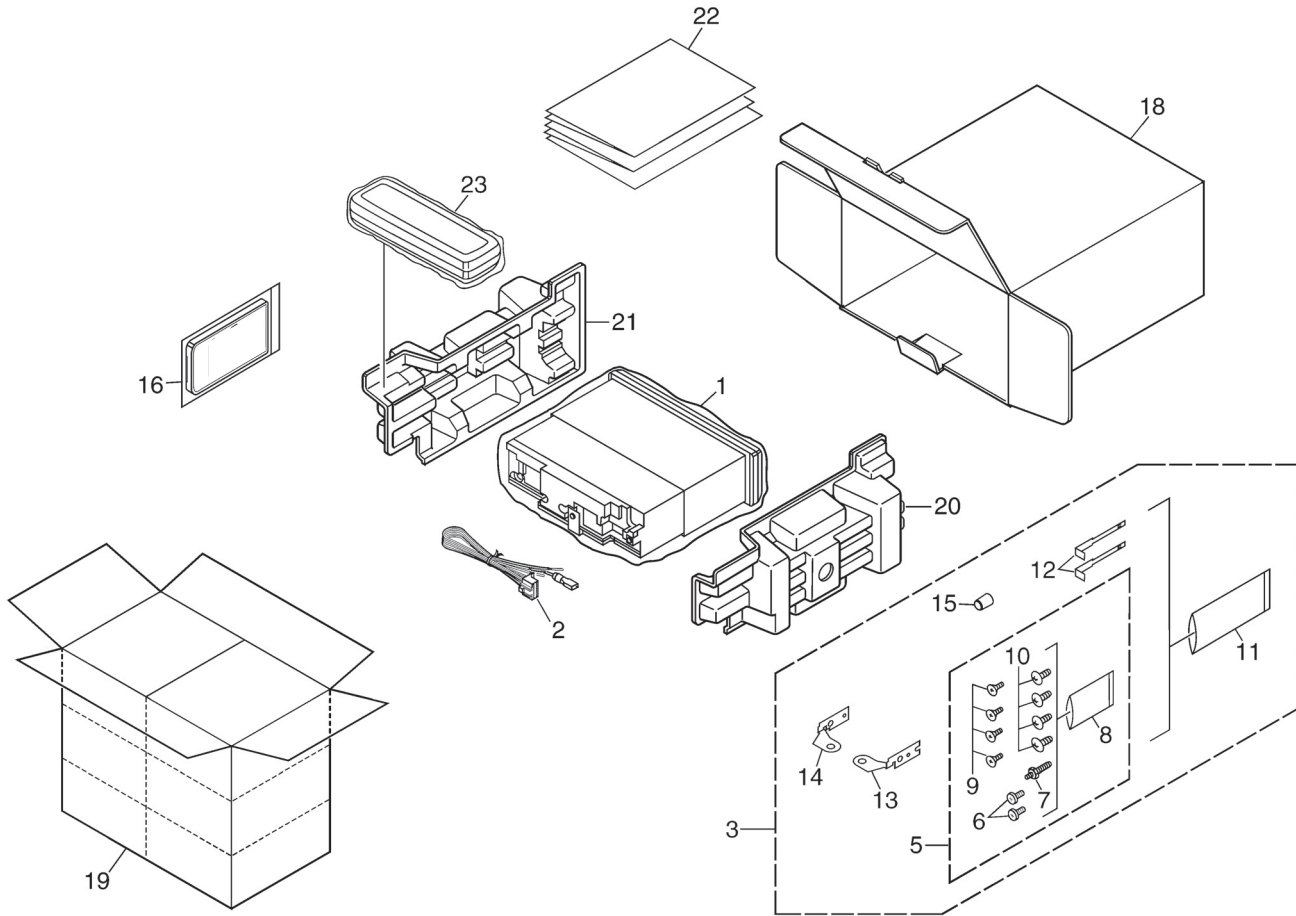


2. EXPLODED VIEWS AND PARTS LIST

NOTES : • Parts marked by "*" are generally unavailable because they are not in our Master Spare Parts List.

- The \triangle mark found on some component parts indicates the importance of the safety factor of the part. Therefore, when replacing, be sure to use parts of identical designation.
- Screw adjacent to ∇ mark on the product are used for disassembly.
- For the applying amount of lubricants or glue, follow the instructions in this manual.
(In the case of no amount instructions, apply as you think it appropriate.)

2.1 PACKING



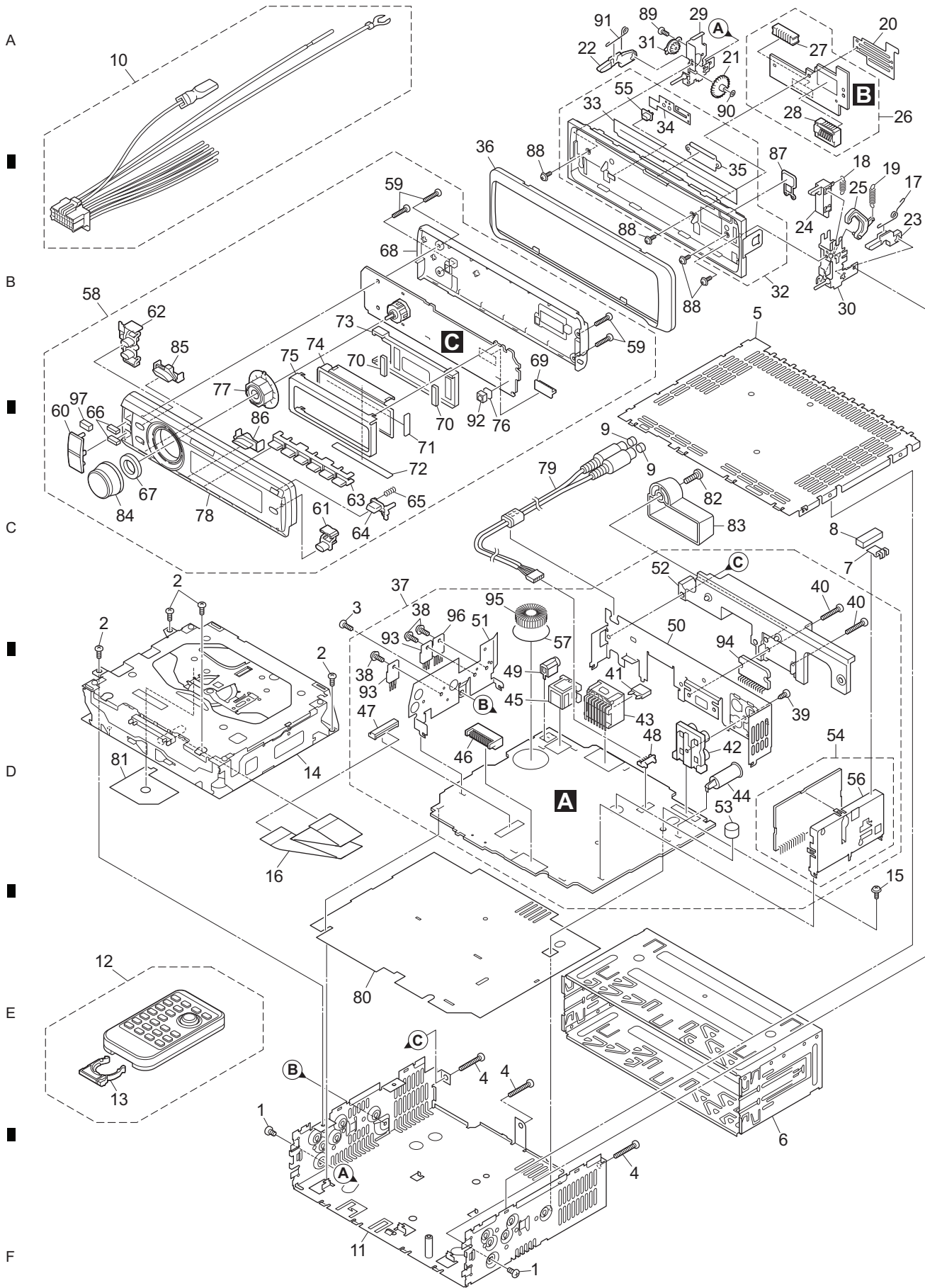
PACKING SECTION PARTS LIST

| Mark | No. | Description | DEH-P770MP/XN/UC | DEH-P7700MP/XN/UC | DEH-P7750MP/XN/ES |
|------|------|---------------------|------------------|-------------------|-------------------|
| | 1 | Polyethylene Bag | CEG1173 | CEG1173 | CEG-162 |
| | 2 | Cord Assy | XDE7007 | XDE7007 | XDE7007 |
| | 3 | Accessory Assy | CEA4993 | CEA4993 | CEA4850 |
| | 4 | | | | |
| | 5 | Screw Assy | CEA3848 | CEA3848 | CEA3849 |
| | 6 | Fixing Screw | BPZ20P060FZK | BPZ20P060FZK | Not used |
| | 7 | Screw | CBA1650 | CBA1650 | CBA1650 |
| * | 8 | Polyethylene Bag | CEG-127 | CEG-127 | CEG-127 |
| | 9 | Screw | CRZ50P090FTC | CRZ50P090FTC | CRZ50P090FTC |
| | 10 | Screw | TRZ50P080FTC | TRZ50P080FTC | TRZ50P080FTC |
| | 11 | Polyethylene Bag | CEG-158 | CEG-158 | CEG-158 |
| | 12 | Handle | CNC5395 | CNC5395 | CNC5395 |
| | 13 | Holder | CND1249 | CND1249 | Not used |
| | 14 | Holder | CND1250 | CND1250 | Not used |
| | 15 | Bush | CNV3930 | CNV3930 | CNV3930 |
| | 16 | Remote Control Unit | CXC2665 | CXC2665 | CXC2665 |
| | 17 | | | | |
| | 18 | Carton | XHG7072 | XHG7073 | XHG7074 |
| | 19 | Contain Box | XHL7072 | XHL7073 | XHL7074 |
| | 20 | Protector | XHP7003 | XHP7003 | XHP7003 |
| | 21 | Protector | XHP7004 | XHP7004 | XHP7004 |
| | 22-1 | Owner's Manual | XRD7055 | XRD7057 | XRD7059 |
| | 22-2 | Owner's Manual | Not used | Not used | XRD7060 |
| | 22-3 | Installation Manual | XRD7056 | XRD7058 | XRD7061 |
| * | 22-4 | Warranty Card | CRY1070 | Not used | Not used |
| * | 22-5 | Card | Not used | ARY1048 | Not used |
| * | 22-6 | Caution Card | CRP1207 | CRP1207 | CRP1207 |
| * | 22-7 | Caution Card | Not used | CRP1294 | Not used |
| | 22-8 | Caution Card | CRP1310 | CRP1310 | CRP1310 |
| | 23 | Case Assy | CXB3520 | CXB3520 | CXB3520 |

Owner's Manual,Installation Manual

| Part No. | Language |
|---|--|
| XRD7055, XRD7056, XRD7057, XRD7058 | English,French,Spanish |
| XRD7059 | English,Spanish,Portuguese(B) |
| XRD7060 | Arabic,Traditional Chinese |
| XRD7061 | English,Spanish,Portuguese(B),Arabic,Traditional Chinese |

2.2 EXTERIOR



(1)EXTERIOR SECTION PARTS LIST

| Mark No. | Description | Part No. | Mark No. | Description | Part No. |
|----------|--|-----------------------|----------|-----------------------|-----------------------|
| 1 | Screw | BMZ30P040FZK | 50 | Holder | See Contrast table(2) |
| 2 | Screw | BSZ26P060FTC | | | |
| 3 | Screw | BSZ30P060FTC | 51 | Holder | CND1352 |
| 4 | Screw | BSZ30P200FTC | 52 | Heat Sink | CNR1668 |
| 5 | Case | CNB2793 | 53 | Microphone(CN751) | CPM1068 |
| | | | 54 | FM/AM Tuner Unit | CWE1802 |
| 6 | Holder | CNC8659 | 55 | Pin | CNV6486 |
| 7 | Earth Plate | CNC8915 | | | |
| 8 | Cushion | CNM8890 | 56 | Holder | CND2144 |
| 9 | Cap | CNV6727 | 57 | Insulator | XNM7031 |
| 10 | Cord Assy | XDE7007 | 58 | Detachable Assy | See Contrast table(2) |
| | | | 59 | Screw | BPZ20P100FZK |
| 11 | Chassis Unit | CXB9528 | 60 | Button(SRC,ESC) | XAC7081 |
| 12 | Remote Control Unit | CXC2665 | | | |
| 13 | Cover | CZN5357 | 61 | Button(CLK) | XAC7082 |
| 14 | CD Mechanism Module(S10.1AACA) CXK5617 | | 62 | Button(LIST,DISP) | XAC7083 |
| 15 | Screw | ISS26P055FTC | 63 | Button(1-6) | See Contrast table(2) |
| | | | 64 | Button(OPEN) | See Contrast table(2) |
| 16 | Cable | XDE7002 | 65 | Spring | XBH7001 |
| 17 | Spring | CBH2651 | | | |
| 18 | Spring | CBH2652 | 66 | Cushion | XNM7053 |
| 19 | Spring | CBH2653 | 67 | Cushion | XNM7099 |
| 20 | Holder | CND1254 | 68 | Cover | XNS7117 |
| | | | 69 | Connector(CN1901) | CKS4524 |
| 21 | Gear | CNV5997 | 70 | Cushion | CNM6633 |
| 22 | Arm | CNV7400 | | | |
| 23 | Arm | CNV7401 | 71 | Spacer | CNM7697 |
| 24 | Arm | CNV7402 | 72 | Spacer | CNM7698 |
| 25 | Arm | CNV7403 | 73 | Holder | CNV6910 |
| | | | 74 | OEL Unit | MXS8221 |
| 26 | Panel Unit | CWM8758 | 75 | Holder | XNC7006 |
| 27 | Socket(CN1950) | CKS3550 | | | |
| 28 | Connector(CN1951) | CKS4806 | 76 | Cushion | XNM7049 |
| 29 | Holder Unit | CXB9501 | 77 | Holder | XNV7023 |
| 30 | Holder Unit | CXB9502 | 78 | Sub Grille Assy | See Contrast table(2) |
| | | | 79 | Cord Assy | XDE7009 |
| 31 | Damper Unit | CXB9503 | 80 | Insulator | XNM7100 |
| 32 | Sub Panel Unit | XXA7364 | | | |
| 33 | Cover | CNM6854 | 81 | Insulator | XNM7106 |
| 34 | Spring | CBL1512 | 82 | Screw | See Contrast table(2) |
| 35 | Lighting Conductor | CNV6487 | 83 | Holder | See Contrast table(2) |
| | | | 84 | Knob Unit | XXA7337 |
| 36 | Panel | See Contrast table(2) | 85 | Button Unit(EQ) | XXA7340 |
| 37 | Tuner Amp Unit | See Contrast table(2) | | | |
| 38 | Screw | ASZ26P060FTC | 86 | Button Unit(SW) | XXA7341 |
| 39 | Screw | BPZ26P080FTC | 87 | Button | CAC7752 |
| 40 | Screw | BSZ26P160FTC | 88 | Screw(M2x4.5) | CBA1647 |
| | | | 89 | Screw(M2x4) | CBA1649 |
| | | | 90 | Washer | CBF1038 |
| ⚠ 41 | Fuse(10A) | CEK1208 | | | |
| 42 | Pin Jack(CN352) | CKB1051 | | | |
| 43 | Plug(CN901) | CKM1376 | 91 | Spring | CBH2650 |
| 44 | Antenna Jack(CN401) | CKX1056 | 92 | IC(IC1991) | TSOP4840SB1 |
| 45 | Connector(CN101) | CKS3408 | 93 | Transistor(Q650,Q911) | 2SD2396 |
| | | | 94 | IC(IC301) | PAL007A |
| 46 | Plug(CN801) | CKS3537 | 95 | Choke Coil(L901) | CTH1280 |
| 47 | Connector(CN651) | CKS3837 | | | |
| 48 | Plug(CN351) | CKS1238 | 96 | IC(IC901) | NJM2388F84 |
| 49 | Connector(CN161) | See Contrast table(2) | 97 | Cushion | XNM7111 |

(2) CONTRAST TABLE

DEH-P770MP/XN/UC , DEH-P7700MP/XN/UC and DEH-P7750MP/XN/ES are constructed the same except for the following:

| Mark | No. | Description | DEH-P770MP/XN/UC | DEH-P7700MP/XN/UC | DEH-P7750MP/XN/ES |
|------|-----|------------------|------------------|-------------------|-------------------|
| A | 36 | Panel | XNS7088 | XNS7089 | XNS7088 |
| | 37 | Tuner Amp Unit | XWM7083 | XWM7084 | XWM7085 |
| | 49 | Connector(CN161) | CKS4124 | CKS4124 | Not used |
| | 50 | Holder | CND1270 | CND1270 | CND1239 |
| | 58 | Detachable Assy | XXA7321 | XXA7322 | XXA7323 |
| | 63 | Button | XAC7084 | XAC7085 | XAC7084 |
| | 64 | Button | XAC7086 | XAC7087 | XAC7086 |
| | 78 | Sub Grille Assy | XXA7325 | XXA7326 | XXA7327 |
| | 82 | Screw | Not used | BMZ40P140FTC | Not used |
| | B | 83 | Holder | Not used | CNV7619 |

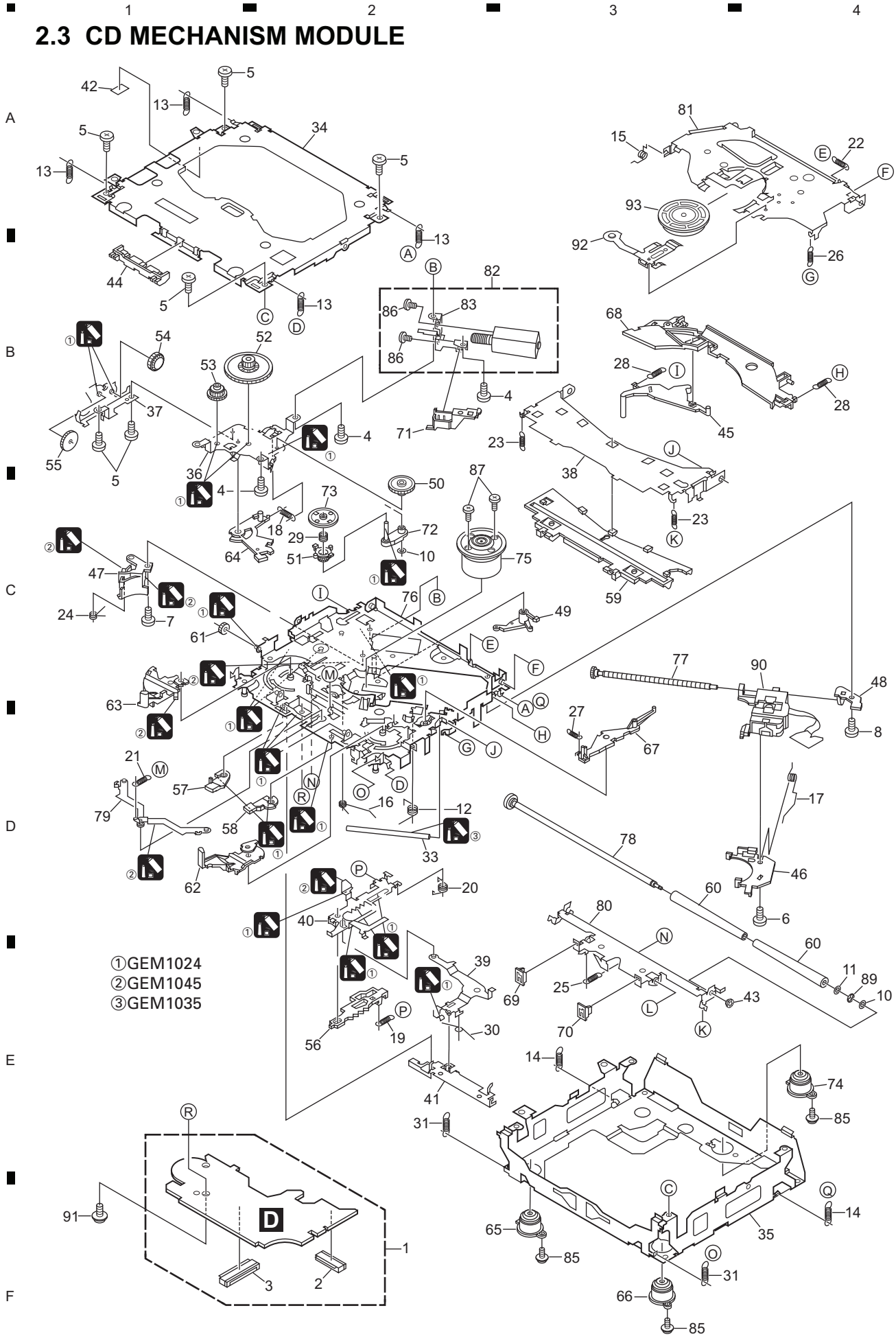
C

D

E

F

2.3 CD MECHANISM MODULE



- ① GEM1024
- ② GEM1045
- ③ GEM1035

CD MECHANISM SECTION PARTS LIST

| <u>Mark No.</u> | <u>Description</u> | <u>Part No.</u> | <u>Mark No.</u> | <u>Description</u> | <u>Part No.</u> |
|-----------------|---------------------|-----------------|-----------------|-------------------------------|-----------------|
| 1 | CD Core Unit(S10.1) | CWX3096 | 50 | Gear | CNV8379 |
| 2 | Connector(CN101) | CKS4182 | | | |
| 3 | Connector(CN901) | CKS4017 | 51 | Gear | CNV8380 |
| 4 | Screw | BMZ20P035FTC | 52 | Gear | CNV8381 |
| 5 | Screw | BSZ20P040FTC | 53 | Gear | CNV8382 |
| | | | 54 | Gear | CNV8383 |
| | | | 55 | Gear | CNV8384 |
| 6 | Screw(M2x4) | CBA1362 | | | |
| 7 | Screw(M2x3) | CBA1824 | | | |
| 8 | Screw(M2x3) | CBA1825 | 56 | Rack | CNV8385 |
| 9 | | | 57 | Arm | CNV8386 |
| 10 | Washer | CBF1038 | 58 | Arm | CNV8387 |
| | | | 59 | Guide | CNV8388 |
| | | | 60 | Roller | CNV7218 |
| 11 | Washer | CBF1060 | | | |
| 12 | Spring | CBH2390 | | | |
| 13 | Spring | CBH2606 | 61 | Gear | CNV8389 |
| 14 | Spring | CBH2607 | 62 | Arm | CNV8391 |
| 15 | Spring | CBH2608 | 63 | Arm | CNV8390 |
| | | | 64 | Arm | CNV8392 |
| 16 | Spring | CBH2609 | 65 | Damper | CNV7313 |
| 17 | Spring | CBH2610 | | | |
| 18 | Spring | CBH2735 | 66 | Damper | CNV7314 |
| 19 | Spring | CBH2612 | 67 | Arm | CNV8394 |
| 20 | Spring | CBH2613 | 68 | Arm | CNV8395 |
| | | | 69 | Guide | CNV8396 |
| 21 | Spring | CBH2614 | 70 | Guide | CNV8397 |
| 22 | Spring | CBH2615 | | | |
| 23 | Spring | CBH2616 | 71 | Holder | CNV8398 |
| 24 | Spring | CBH2617 | 72 | Arm | CNV8402 |
| 25 | Spring | CBH2620 | 73 | Gear | CNV8400 |
| | | | 74 | Damper | CNV7618 |
| 26 | Spring | CBH2621 | 75 | Motor Unit(M1) | CXC4440 |
| 27 | Spring | CBH2641 | | | |
| 28 | Spring | CBH2642 | 76 | Chassis Unit | CXC2318 |
| 29 | Spring | CBH2643 | 77 | Screw Unit | CXB8729 |
| 30 | Spring | CBH2659 | 78 | Gear Unit | CXC2397 |
| | | | 79 | Arm Unit | CXC2316 |
| 31 | Spring | CBH2688 | 80 | Arm | CND1896 |
| 32 | | | | | |
| 33 | Shaft | CLA4441 | 81 | Arm | CND1894 |
| 34 | Frame | CNC9962 | 82 | Motor Unit(M2) | CXB8933 |
| 35 | Frame | CNC9963 | 83 | Bracket | CNC9985 |
| | | | 84 | | |
| 36 | Bracket | CND2712 | 85 | Screw(M2x5) | EBA1028 |
| 37 | Bracket | CND1895 | | | |
| 38 | Arm | CNC9968 | 86 | Screw | JFZ20P020FTC |
| 39 | Arm | CND1909 | 87 | Screw | JGZ17P022FTC |
| 40 | Lever | CND2032 | 88 | | |
| | | | 89 | Washer | YE20FTC |
| 41 | Lever | CNC9984 | 90 | Pickup Unit(P9.9MP3)(Service) | CXX1805 |
| 42 | Sheet | CNM8134 | | | |
| 43 | Collar | CNV7798 | 91 | Screw | IMS26P030FTC |
| 44 | Guide | CNV7799 | 92 | Spring | CBL1635 |
| 45 | Arm | CNV8403 | 93 | Clamper | CNV8372 |
| 46 | Rack | CNV8374 | | | |
| 47 | Holder | CNV8376 | | | |
| 48 | Holder | CNV8377 | | | |
| 49 | Arm | CNV8378 | | | |

5. ELECTRICAL PARTS LIST

NOTE:

- Parts whose parts numbers are omitted are subject to being not supplied.
- The part numbers shown below indicate chip components.

Chip Resistor

RS1/○S○○○○J,RS1/○○S○○○○J

Chip Capacitor (except for CQS.....)

CKS....., CCS....., CSZS.....

- The \triangle mark found on some component parts indicates the importance of the safety factor of the part. Therefore, when replacing, be sure to use parts of identical designation.

| Circuit Symbol and No. | | Part No. | Circuit Symbol and No. | | Part No. |
|------------------------|-----------------------------------|-------------------------|------------------------|--|----------|
| A | Q 981 | (B,27,90) Transistor | 2SC4081 | | |
| | Q 982 | (A,129,98) Transistor | UMD2N | | |
| | D 131 | (A,62,65) Diode Network | DA204U | | |
| | D 132 | (A,46,68) Diode Network | DA204U | | |
| | D 133 | (A,55,59) Diode | DAN202U | | |
| | D 134 | (A,56,64) Diode | DAP202U | | |
| | D 301 | (A,97,110) Diode | S5688G | | |
| | D 302 | (A,93,110) Diode | S5688G | | |
| | D 650 | (A,11,69) Diode | HZS7L(C3) | | |
| | D 751 | (B,103,81) Diode | RB706F-40 | | |
| D 801 | (B,102,32) Diode Network | DA204U | | | |
| D 802 | (B,107,28) Diode | DAN202U | | | |
| D 803 | (B,111,32) Diode | DAP202U | | | |
| D 804 | (B,111,28) Diode | DAN202U | | | |
| D 805 | (B,107,32) Diode | DAP202U | | | |
| D 821 | (A,76,11) Diode | HZS11L(A1) | | | |
| D 851 | (A,23,28) Diode | HZS11L(A1) | | | |
| D 852 | (B,42,22) Diode | RB411D | | | |
| D 901 | (A,64,116) Diode | S5688G | | | |
| D 902 | (A,67,113) Diode | S5688G | | | |
| D 911 | (A,17,83) Diode | S5688G | | | |
| D 912 | (A,13,78) Diode | HZS6L(B1) | | | |
| D 931 | (A,53,107) Diode | HZS7L(A1) | | | |
| D 932 | (A,56,100) Diode | HZS7L(C3) | | | |
| D 933 | (A,76,60) Diode | HZS9L(B3) | | | |
| D 934 | (A,78,65) Diode Network | DA204U | | | |
| D 941 | (A,69,105) Diode | MA111 | | | |
| D 951 | (A,41,92) Diode | DAN202U | | | |
| D 981 | (A,18,89) Diode | HZS9L(A2) | | | |
| D 982 | (A,93,71) Diode | DAN202U | | | |
| L 101 | (A,31,79) Inductor | LAU2R2K | | | |
| L 201 | (A,73,79) Ferri-Inductor | LAU4R7K | | | |
| L 401 | (A,154,48) Inductor | LAUR47K | | | |
| L 402 | (A,148,90) Inductor | LAU1R0K | | | |
| L 403 | (B,154,95) Inductor | LCTAW4R7J2520 | | | |
| L 405 | (A,154,60) Ferri-Inductor | LAU4R7K | | | |
| L 451 | (A,136,84) Ferri-Inductor(P770MP) | LAU101K | | | |
| L 601 | (A,80,58) Ferri-Inductor | LAU100K | | | |
| L 640 | (A,76,48) Ferri-Inductor | LAU100K | | | |
| L 831 | (A,101,21) Inductor | LAU2R2K | | | |
| L 852 | (A,38,15) Inductor | CTF1510 | | | |
| L 901 | (A,30,106) Choke Coil 600μH | CTH1280 | | | |
| L 951 | (A,51,87) Inductor | LAU2R2K | | | |
| X 601 | (A,92,58) Radiator 10.00MHz | CSS1599 | | | |
| S 802 | (A,21,8) Switch(DETACH SENSE) | CSN1039 | | | |
| VR751 | (A,104,84) Semi-fixed 10kΩ | (B)CCP1229 | | | |

Unit Number: XWM7083(P770MP)
Unit Number: XWM7084(P7700MP)
Unit Number: XWM7085(P7750MP)
Unit Name: Tuner Amp Unit

MISCELLANEOUS

| | | |
|--------|------------------------|-----------------|
| IC 101 | (A,41,86) IC | HA12240FP |
| IC 131 | (A,54,70) IC | NJM4558MD |
| IC 201 | (A,82,86) IC | PML009A |
| IC 301 | (A,91,132) IC | PAL007A |
| IC 420 | (A,150,26) IC | NJM2391DL1-33 |
| IC 421 | (A,130,33) IC | NJM2391DL1-05 |
| IC 451 | (A,133,74) IC(P770MP) | PA2028A |
| IC 601 | (A,107,53) IC | PEG070A |
| IC 602 | (A,84,64) IC | S-80835CNUA-B8U |
| IC 851 | (B,35,16) IC | NJM2360M |
| IC 901 | (A,4,119) IC | NJM2388F84 |
| Q 101 | (B,39,103) Transistor | 2SA1576 |
| Q 102 | (B,36,101) Transistor | DTC114EU |
| Q 301 | (A,134,98) Transistor | DTC124EU |
| Q 351 | (B,130,118) Transistor | UMH3N |
| Q 352 | (B,135,127) Transistor | UMH3N |
| Q 353 | (B,160,127) Transistor | UMH3N |
| Q 403 | (B,153,39) Transistor | 2SA1576 |
| Q 404 | (B,153,45) Transistor | 2SA1576 |
| Q 641 | (B,28,50) Transistor | 2SA1577 |
| Q 642 | (B,35,53) Transistor | DTC114EU |
| Q 650 | (A,4,66) Transistor | 2SD2396 |
| Q 651 | (B,22,56) Transistor | UMD2N |
| Q 801 | (A,105,20) Transistor | DTC143EU |
| Q 821 | (A,65,11) Transistor | 2SD1767 |
| Q 822 | (B,75,17) Transistor | UMD2N |
| Q 831 | (B,97,26) Transistor | 2SA1576 |
| Q 832 | (B,91,20) Transistor | DTC114EU |
| Q 851 | (A,16,31) Transistor | 2SD1760F5 |
| Q 852 | (B,25,34) Transistor | UMD2N |
| Q 911 | (A,4,100) Transistor | 2SD2396 |
| Q 912 | (B,18,75) Transistor | UMD2N |
| Q 931 | (B,49,97) Transistor | UMX1N |
| Q 941 | (B,114,82) Transistor | DTC114EU |
| Q 951 | (A,44,92) Transistor | 2SA1576 |

Circuit Symbol and No.**Part No.****Circuit Symbol and No.****Part No.**

R 667 (B,58,41) RS1/16S102J
R 668 (B,61,33) RS1/16S102J

R 951 (A,59,105) RD1/4PU153J
R 952 (A,42,89) RS1/16S472J

A R 669 (B,134,94) (P7700MP,P7750MP) RS1/16S0R0J
R 671 (B,122,106) (P770MP) RS1/16S0R0J
R 751 (B,96,97) RS1/16S222J
R 752 (B,107,96) RS1/16S561J
R 753 (B,101,83) RS1/16S104J

R 953 (A,45,89) RS1/16S472J
R 954 (A,47,93) RS1/16S102J
R 981 (B,23,90) RS1/16S683J
R 982 (B,22,88) RS1/16S683J
R 983 (B,23,83) RS1/16S223J

R 754 (B,107,81) RS1/16S104J
R 801 (B,121,26) RS1/16S102J
R 802 (A,14,23) RS1/16S104J
R 803 (A,18,23) RS1/16S102J
R 804 (B,121,22) RS1/16S222J

R 984 (B,122,136) RS1/16S102J

CAPACITORS

R 805 (B,123,22) RS1/16S222J
B R 806 (B,118,22) RS1/16S222J
R 807 (B,116,22) RS1/16S222J
R 808 (B,110,21) RS1/16S222J
R 809 (B,103,23) RS1/16S222J

C 101 (B,28,134) CKSRYB104K16
C 102 (A,41,80) CKSRYB473K25
C 103 (A,38,89) CKSRYB102K50
C 104 (A,41,82) CKSRYB102K50
C 131 (A,60,59) CKSRYB104K16

R 810 (B,128,21) RS1/16S102J
R 811 (B,121,28) RS1/16S102J
R 812 (B,117,27) RS1/16S102J
R 813 (A,71,15) RS1/16S1R0J
R 814 (B,106,23) RS1/16S222J

C 132 (A,49,66) CKSRYB104K16
C 133 (A,60,70) CKSRYB104K16
C 134 (A,46,72) CKSRYB104K16
C 135 (A,63,62) CKSRYB474K10
C 136 (A,50,64) CKSRYB474K10

R 815 (A,100,33) RS1/16S473J
R 816 (B,110,24) RS1/16S473J
C R 817 (B,102,28) RS1/16S473J
R 818 (B,128,23) RS1/16S104J
R 821 (A,52,21) RD1/4PU391J

C 137 (A,63,59) CCSRCH101J50
C 138 (A,52,64) CCSRCH101J50
C 139 (A,54,75) CKSRYB103K50
C 201 (A,72,74) CEJQ4R7M35
C 202 (A,72,99) CEJQ4R7M35

R 822 (B,58,16) RS1/16S391J
R 823 (B,63,16) RS1/16S391J
R 824 (A,76,15) RS1/16S472J
R 831 (B,93,26) RS1/16S473J
R 832 (B,95,22) RS1/16S102J

C 203 (A,75,74) CEJQ4R7M35
C 204 (A,78,100) CEJQ4R7M35
C 205 (A,81,74) CEJQ4R7M35
C 206 (A,89,100) CEJQ4R7M35
C 207 (A,87,74) CEJQ4R7M35

R 833 (B,100,17) RS1/16S222J
R 851 (B,29,34) RS1/16S331J
R 852 (B,25,37) RS1/16S331J
D R 853 (B,31,22) RS1/16S1R0J
R 854 (B,31,20) RS1/16S391J

C 208 (A,85,100) CEJQ4R7M35
C 209 (A,65,95) CEJQ1R0M50
C 210 (A,59,95) CEJQ1R0M50
C 211 (A,68,90) CEJQ1R0M50
C 212 (A,59,85) CEJQ1R0M50

R 855 (B,41,28) RS1/16S121J
R 856 (A,48,21) RD1/4PU152J
R 858 (B,26,21) RS1/16S0R0J
R 901 (B,16,98) RS1/16S102J
R 902 (B,18,100) RS1/16S103J

C 213 (B,77,84) CKSRYB104K16
C 214 (A,69,84) CEJQ470M16
C 215 (A,72,88) CKSRYB105K10
C 216 (B,78,81) CKSRYB104K16
C 217 (A,61,90) CEJQ1R0M50

R 912 (B,10,79) RS1/16S222J
R 913 (B,10,84) RS1/16S223J
R 914 (B,47,92) RS1/16S104J
E R 915 (B,45,96) RS1/16S104J
R 916 (A,109,69) RS1/16S104J

C 218 (A,59,79) CEJQ1R0M50
C 220 (B,72,94) CKSRYB152K50
C 221 (B,78,87) CKSRYB152K50
C 222 (B,84,93) CCSRCH120J50
C 223 (B,86,81) CCSRCH120J50

R 918 (B,10,103) RS1/16S391J
R 931 (A,50,107) RD1/4PU102J
R 932 (B,45,103) RS1/16S472J
R 933 (B,51,101) RS1/16S473J
R 934 (B,53,101) RS1/16S103J

C 224 (B,84,91) CCSRCH120J50
C 225 (A,89,79) CCSRCH120J50
C 226 (A,94,90) CEJQ100M16
C 240 (B,52,84) CKSQYB225K10
C 301 (A,115,98) CFTNA224J50

R 935 (B,47,102) RS1/16S473J
R 936 (B,43,98) RS1/16S104J
R 937 (A,75,65) RS1/16S223J
R 938 (A,76,68) RS1/16S102J
F R 939 (A,71,65) RS1/16S392J

C 302 (A,111,109) CFTNA224J50
C 303 (A,105,109) CFTNA224J50
C 304 (A,123,102) CFTNA224J50
C 309 (A,116,106) CEJQ330M10
C 310 (A,125,133) CKSQYB225K10

R 940 (A,47,107) RD1/4PU392J
R 941 (A,63,100) RD1/4PU102J
R 942 (A,74,105) RS1/16S103J

C 311 (A,127,129) CKSQYB225K10
C 312 (A,122,128) CEHAR100M16
C 351 (A,140,105) (P770MP) CEJQ100M25
C 351 (A,140,105) (P7700MP,P7750MP)CEJQ4R7M35

| <u>Circuit Symbol and No.</u> | <u>Part No.</u> |
|------------------------------------|-----------------|
| C 352 (A,141,116) (P770MP) | CEJQ100M25 |
| C 352 (A,141,116) (P770MP,P7750MP) | CEJQ4R7M35 |
| C 353 (A,137,111) (P770MP) | CEJQ100M25 |
| C 353 (A,137,111) (P770MP,P7750MP) | CEJQ4R7M35 |
| C 354 (A,135,117) (P770MP) | CEJQ100M25 |
| C 354 (A,135,117) (P770MP,P7750MP) | CEJQ4R7M35 |
| C 355 (A,144,110) (P770MP) | CEJQ100M25 |
| C 355 (A,144,110) (P770MP,P7750MP) | CEJQ4R7M35 |
| C 356 (A,132,106) (P770MP) | CEJQ100M25 |
| C 356 (A,132,106) (P770MP,P7750MP) | CEJQ4R7M35 |
| C 357 (B,131,111) (P770MP) | CKSRYB222K50 |
| C 358 (B,130,122) (P770MP) | CKSRYB222K50 |
| C 359 (B,139,124) (P770MP) | CKSRYB222K50 |
| C 360 (B,127,133) (P770MP) | CKSRYB222K50 |
| C 361 (B,157,130) (P770MP) | CKSRYB222K50 |
| C 362 (B,155,126) (P770MP) | CKSRYB222K50 |
| C 405 (B,145,93) | CKSRYB103K50 |
| C 406 (A,147,96) | CEJQ101M16 |
| C 407 (B,164,75) | CCSRCH101J50 |
| C 411 (B,156,39) | CKSRYB332K50 |
| C 412 (B,156,44) | CKSRYB332K50 |
| C 414 (B,143,38) | CKSRYB103K50 |
| C 416 (A,151,67) | CEJQ470M10 |
| C 417 (A,141,41) | CEJQ101M16 |
| C 420 (A,142,52) | CEJQ470M10 |
| C 422 (A,142,32) | CEJQ100M16 |
| C 426 (B,124,36) | CKSRYB104K16 |
| C 430 (A,101,71) | CCSRCH470J50 |
| C 451 (B,128,83) (P770MP) | CKSQYB225K10 |
| C 452 (A,125,83) (P770MP) | CEJQ100M16 |
| C 453 (B,130,79) (P770MP) | CKSYB684K16 |
| C 454 (A,117,85) (P770MP) | CEJQ4R7M35 |
| C 455 (A,131,90) (P770MP) | CEJQ101M16 |
| C 456 (A,125,72) (P770MP) | CKSRYB105K10 |
| C 457 (A,125,70) (P770MP) | CKSRYB105K10 |
| C 458 (B,128,75) (P770MP) | CKSRYB105K10 |
| C 459 (B,128,73) (P770MP) | CKSRYB105K10 |
| C 460 (B,128,71) (P770MP) | CKSRYB105K10 |
| C 461 (B,128,69) (P770MP) | CKSRYB105K10 |
| C 462 (A,142,85) (P770MP) | CEJQ330M25 |
| C 463 (A,127,91) (P770MP) | CASAQ3R3M16 |
| C 464 (A,142,77) (P770MP) | CEJQ330M25 |
| C 601 (A,96,50) | CKSRYB103K50 |
| C 602 (A,86,52) | CEJQ4R7M35 |
| C 603 (B,83,54) | CCSRCH101J50 |
| C 604 (A,68,56) | CEJQ2R2M50 |
| C 605 (B,90,56) | CCSRCH200J50 |
| C 606 (B,89,52) | CCSRCH200J50 |
| C 643 (B,78,42) | CKSRYB683K16 |
| C 644 (A,56,30) | CEAT471M16 |
| C 650 (B,17,56) | CKSRYB473K25 |
| C 651 (A,13,53) | CEJQ101M16 |
| C 652 (B,59,37) | CKSRYB152K50 |
| C 653 (B,59,35) | CKSRYB152K50 |
| C 654 (B,81,22) | CCSRCH470J50 |
| C 751 (A,102,89) | CEJQ100M16 |
| C 752 (A,91,95) | CEJQ220M10 |
| C 753 (A,94,81) | CEJQNP100M16 |
| C 754 (B,82,81) | CKSRYB474K10 |
| C 755 (B,89,84) | CKSRYB474K10 |

| <u>Circuit Symbol and No.</u> | <u>Part No.</u> |
|-------------------------------|--------------------|
| C 821 (B,74,13) | CKSRYB473K25 |
| C 822 (A,73,15) | CKSRYB473K25 |
| C 832 (B,97,28) | CKSQYB105K16 |
| C 851 (B,25,31) | CKSRYB104K16 |
| C 852 (A,26,24) | CEJQ470M16 |
| C 853 (A,27,17) | CEJQ101M16 |
| C 854 (B,26,19) | CKSRYB104K16 |
| C 855 (B,41,16) | CCSRCH331J50 |
| C 856 (B,38,20) | CKSRYB223K50 |
| C 857 (A,49,12) | CEJQ470M25 |
| C 901 (A,48,121) | 3300µF/16V CCH1486 |
| C 902 (B,58,119) | CKSRYB104K25 |
| C 903 (B,103,144) | CKSYB225K16 |
| C 904 (B,84,136) | CKSYB225K16 |
| C 911 (A,23,74) | 470µF/16V CCH1331 |
| C 912 (B,27,77) | CKSRYB472K50 |
| C 913 (B,12,76) | CKSRYB103K50 |
| C 914 (A,12,73) | CEJQ470M10 |
| C 922 (B,14,114) | CKSRYB103K50 |
| C 923 (A,12,116) | CEJQ101M16 |
| C 924 (B,27,84) | CKSRYB103K50 |
| C 925 (A,24,81) | CEJQ221M10 |
| C 931 (B,43,102) | CKSRYB104K16 |
| C 933 (A,73,65) | CKSRYB104K16 |
| C 941 (A,115,90) | CEJQ1R0M50 |

B**Unit Number:CWM8758****Unit Name:Panel Unit****MISCELLANEOUS**

| | | |
|--------|--------------------|----------|
| D 1970 | LED | CL220PGC |
| S 1970 | Push Switch(EJECT) | CSG1112 |

RESISTORS

| | |
|--------|-------------|
| R 1970 | RS1/16S101J |
| R 1971 | RS1/16S101J |
| R 1972 | RS1/16S0R0J |

CAPACITORS

| | |
|--------|--------------|
| C 1970 | CKSRYB104K16 |
|--------|--------------|

C**Unit Number:****Unit Name:Keyboard Unit****MISCELLANEOUS**

| | | |
|---------|-------------------------------|-----------------|
| IC 1910 | (B,13,57) IC | S-818A33AUC-BGN |
| IC 1940 | (B,27,85) IC | PEG072A |
| IC 1990 | (A,22,108) IC(P770MP) | PD8135A |
| IC 1990 | (A,22,108) IC(P770MP,P7750MP) | PD8136A |
| IC 1991 | (A,28,150) IC | TSOP4840SB1 |
| Q 1980 | (B,11,68) Transistor | 2SC4617 |
| Q 1981 | (A,6,63) Transistor | 2SC2411K |
| D 1903 | (A,22,62) LED | SML311BBT(PQ) |
| D 1904 | (A,38,45) LED | SML311BBT(PQ) |
| D 1905 | (A,4,45) LED | SML311BBT(PQ) |

Circuit Symbol and No.**Part No.****Circuit Symbol and No.****Part No.**

| | | | |
|----|--------|--|---------------|
| D | 1906 | (A,22,29) LED | SML311BBT(PQ) |
| D | 1907 | (A,40,64) LED | SML311BBT(PQ) |
| A | D 1908 | (A,40,26) LED | SML311BBT(PQ) |
| D | 1910 | (A,5,156) LED | CL-195PG-CD |
| D | 1911 | (A,14,20) LED | SML311BBT(PQ) |
| D | 1912 | (A,30,8) LED | SML311BBT(PQ) |
| D | 1913 | (A,28,20) LED | SML311BBT(PQ) |
| D | 1914 | (A,12,8) LED | SML311BBT(PQ) |
| D | 1915 | (A,20,156) LED | SML311BBT(PQ) |
| D | 1940 | (B,22,70) Diode | 1SS355 |
| L | 1901 | (A,17,135) Inductor | CTF1530 |
| L | 1940 | (A,13,63) Inductor | CTF1530 |
| TH | 1980 | (B,7,62) Thermistor | CCX1037 |
| B | X 1940 | (B,27,73) Ceramic Resonator | 16MHzCSS1616 |
| S | 1901 | (A,9,8) Push Switch | CSG1155 |
| S | 1902 | (A,34,9) Push Switch | CSG1155 |
| S | 1903 | (A,18,20) Switch | CSG1110 |
| S | 1904 | (A,24,20) Switch | CSG1110 |
| S | 1905 | (A,37,26) Push Switch | CSG1155 |
| S | 1906 | (A,37,65) Push Switch | CSG1155 |
| S | 1907 | (A,38,86) Switch | CSG1107 |
| S | 1908 | (A,38,95) Switch | CSG1108 |
| S | 1909 | (A,38,112) Switch | CSG1107 |
| S | 1910 | (A,38,121) Switch | CSG1108 |
| C | S 1911 | (A,38,138) Switch | CSG1107 |
| S | 1912 | (A,38,147) Switch | CSG1108 |
| S | 1913 | (A,24,156) Switch | CSG1110 |
| S | 2030 | (A,21,46) Switch | CSX1065 |
| VR | 2000 | (B,33,117) Semi-fixed 15kΩ(B)CCP1230 | |
| VR | 2001 | (B,33,111) Semi-fixed 15kΩ(B)CCP1230 OEL UNIT | MXS8221 |

| | | | |
|---|------|------------|-------------|
| R | 1946 | (B,15,86) | RS1/16S473J |
| R | 1947 | (B,15,92) | RS1/16S101J |
| R | 1948 | (B,14,92) | RS1/16S101J |
| R | 1949 | (B,17,92) | RS1/16S101J |
| R | 1950 | (B,22,104) | RS1/16S101J |
| R | 1951 | (B,23,104) | RS1/16S101J |
| R | 1952 | (B,24,100) | RAB4C101J |
| R | 1953 | (B,28,101) | RAB4C101J |
| R | 1954 | (A,25,94) | RAB4C101J |
| R | 1955 | (A,21,93) | RAB4C101J |
| R | 1956 | (B,34,101) | RAB4C101J |
| R | 1957 | (A,17,93) | RAB4C101J |
| R | 1958 | (A,28,88) | RAB4C101J |
| R | 1959 | (A,13,93) | RAB4C101J |
| R | 1960 | (A,32,63) | RS1/16S101J |
| R | 1961 | (B,37,94) | RS1/16S101J |
| R | 1962 | (B,36,103) | RS1/16S101J |
| R | 1963 | (A,28,79) | RS1/16S101J |
| R | 1964 | (A,34,63) | RS1/16S101J |
| R | 1967 | (A,28,74) | RS1/16S101J |
| R | 1968 | (A,28,77) | RS1/16S101J |
| R | 1969 | (A,28,75) | RS1/16S101J |
| R | 1980 | (B,11,71) | RS1/16S333J |
| R | 1981 | (B,11,66) | RS1/16S683J |
| R | 1982 | (A,8,59) | RS1/16S393J |
| R | 1983 | (A,9,63) | RS1/16S392J |
| R | 1991 | (B,39,133) | RS1/16S2R2J |
| R | 1992 | (B,26,156) | RS1/16S101J |
| R | 1993 | (B,30,157) | RS1/16S103J |
| R | 2001 | (B,28,115) | RS1/16S222J |
| R | 2002 | (A,24,120) | RS1/16S222J |
| R | 2003 | (A,23,80) | RS1/16S102J |
| R | 2004 | (A,21,80) | RS1/16S102J |
| R | 2006 | (B,19,74) | RS1/16S102J |
| R | 2007 | (B,17,74) | RS1/16S102J |
| R | 2008 | (A,11,79) | RS1/16S102J |
| R | 2009 | (A,13,86) | RS1/16S102J |
| R | 2031 | (B,28,40) | RS1/16S332J |
| R | 2032 | (B,8,39) | RS1/16S822J |
| R | 2033 | (B,11,39) | RS1/16S473J |
| R | 2034 | (B,29,38) | RS1/16S222J |
| R | 2035 | (B,29,36) | RS1/16S103J |
| R | 2036 | (B,29,34) | RS1/16S103J |

RESISTORS

| | | | |
|---|--------|------------|-------------|
| R | 1901 | (B,14,151) | RS1/16S222J |
| R | 1902 | (B,9,151) | RS1/16S222J |
| D | R 1903 | (B,32,131) | RS1/16S473J |
| R | 1905 | (B,36,32) | RS1/16S391J |
| R | 1906 | (B,33,32) | RS1/16S101J |
| R | 1907 | (B,17,28) | RS1/16S391J |
| R | 1908 | (B,17,25) | RS1/16S101J |
| R | 1909 | (B,36,29) | RS1/16S391J |
| R | 1910 | (B,33,29) | RS1/16S101J |
| R | 1914 | (A,40,80) | RS1/16S181J |
| R | 1915 | (B,18,157) | RS1/16S221J |
| R | 1916 | (B,22,157) | RS1/16S331J |
| E | R 1917 | (B,20,157) | RS1/16S391J |
| R | 1918 | (B,8,155) | RS1/16S560J |
| R | 1919 | (B,13,13) | RS1/16S391J |
| R | 1921 | (B,13,9) | RS1/16S101J |
| R | 1923 | (B,17,13) | RS1/16S391J |
| R | 1925 | (B,17,9) | RS1/16S101J |
| R | 1938 | (B,15,88) | RS1/16S473J |
| R | 1939 | (B,31,65) | RS1/16S104J |
| R | 1940 | (A,11,60) | RS1/16S222J |
| R | 1941 | (B,22,68) | RS1/16S154J |
| R | 1942 | (B,22,74) | RS1/16S473J |
| F | R 1943 | (B,38,56) | RS1/16S101J |
| R | 1944 | (A,12,74) | RS1/16S473J |
| R | 1945 | (B,14,83) | RAB4C473J |

CAPACITORS

| | | | |
|---|------|------------|--------------|
| C | 1909 | (B,20,60) | CSZSR4R7M16 |
| C | 1910 | (B,9,57) | CSZSR4R7M10 |
| C | 1911 | (A,25,62) | CKSRYF104Z25 |
| C | 1912 | (A,38,41) | CKSRYF104Z25 |
| C | 1913 | (A,4,49) | CKSRYF104Z25 |
| C | 1914 | (A,18,29) | CKSRYF104Z25 |
| C | 1915 | (A,39,59) | CKSRYF104Z25 |
| C | 1916 | (A,40,30) | CKSRYF104Z25 |
| C | 1917 | (A,11,25) | CKSRYF104Z25 |
| C | 1918 | (A,29,8) | CKSRYF104Z25 |
| C | 1919 | (A,31,24) | CKSRYF104Z25 |
| C | 1920 | (A,14,8) | CKSRYF104Z25 |
| C | 1921 | (A,17,158) | CKSRYF104Z25 |
| C | 1940 | (A,16,63) | CKSRYB103K50 |
| C | 1941 | (B,22,66) | CKSRYB104K16 |

Circuit Symbol and No.**Part No.**

| | | | |
|---|-------|-----------|---------------|
| | C 217 | (A,28,12) | CKSSYB104K10 |
| | C 218 | (A,25,7) | CKSSYB473K10 |
| A | C 219 | (A,34,7) | CKSSYB104K10 |
| | C 220 | (A,33,11) | CKSSYB182K50 |
| | C 221 | (B,35,6) | CKSSYB104K10 |
| | C 222 | (B,35,8) | CCSSCH560J50 |
| | C 223 | (B,33,8) | CCSSCH4R0C50 |
| | C 224 | (B,40,16) | CKSSYB104K10 |
| | C 225 | (B,45,14) | CKSSYB103K16 |
| | C 226 | (B,43,12) | CCSSCH680J50 |
| | C 227 | (A,45,10) | CCSSCH470J50 |
| | C 228 | (A,49,9) | CKSSYB103K16 |
| | C 234 | (B,36,81) | CEVW221M4 |
| B | C 237 | (B,38,29) | CKSSYB104K10 |
| | C 239 | (B,34,10) | CCSSCH220J50 |
| | C 242 | (B,58,32) | CKSSYB104K10 |
| | C 243 | (B,39,76) | CKSSYB104K10 |
| | C 244 | (B,49,70) | CKSSYB104K10 |
| | C 246 | (A,23,19) | CKSSYB104K10 |
| | C 251 | (B,28,31) | CKSRYB102K50 |
| | C 260 | (A,54,25) | CKSSYB104K10 |
| | C 301 | (A,43,78) | CKSSYB221K50 |
| | C 302 | (A,50,79) | CKSSYB221K50 |
| | C 303 | (A,37,85) | CKSSYB472K25 |
| C | C 304 | (A,39,89) | CKSSYB103K16 |
| | C 305 | (B,34,92) | CEVW101M16 |
| | C 307 | (B,56,90) | CKSSYB104K10 |
| | C 601 | (B,46,60) | CCSRCH102J50 |
| | C 602 | (B,41,65) | CCSRCH102J50 |
| | C 701 | (A,64,46) | CKSSYB104K10 |
| | C 703 | (B,50,61) | CKSSYB103K16 |
| | C 706 | (B,50,62) | CKSSYB104K10 |
| | C 707 | (A,36,45) | CKSSYB104K10 |
| | C 712 | (A,22,42) | CKSRYB224K16 |
| | C 714 | (B,60,45) | CKSSYB104K10 |
| D | C 716 | (A,61,40) | CKSSYB103K16 |
| | C 722 | (B,52,48) | CKSQYB475K6R3 |
| | C 723 | (A,26,41) | CKSRYB105K10 |
| | C 903 | (B,56,70) | CKSSYB471K50 |
| | C 906 | (A,40,77) | CKSRYB224K16 |
| | C 907 | (A,47,76) | CKSSYB103K16 |
| | C 910 | (B,60,71) | CKSQYB225K10 |

Miscellaneous Parts List

Pickup Unit(P9.9MP3)(Service)CXX1805

| | | | |
|---|-----|------------------------------|---------|
| E | M 1 | Motor Unit(SPINDLE) | CXC4440 |
| | M 2 | Motor Unit(LOADING/CARRIAGE) | CXB8933 |

F