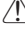

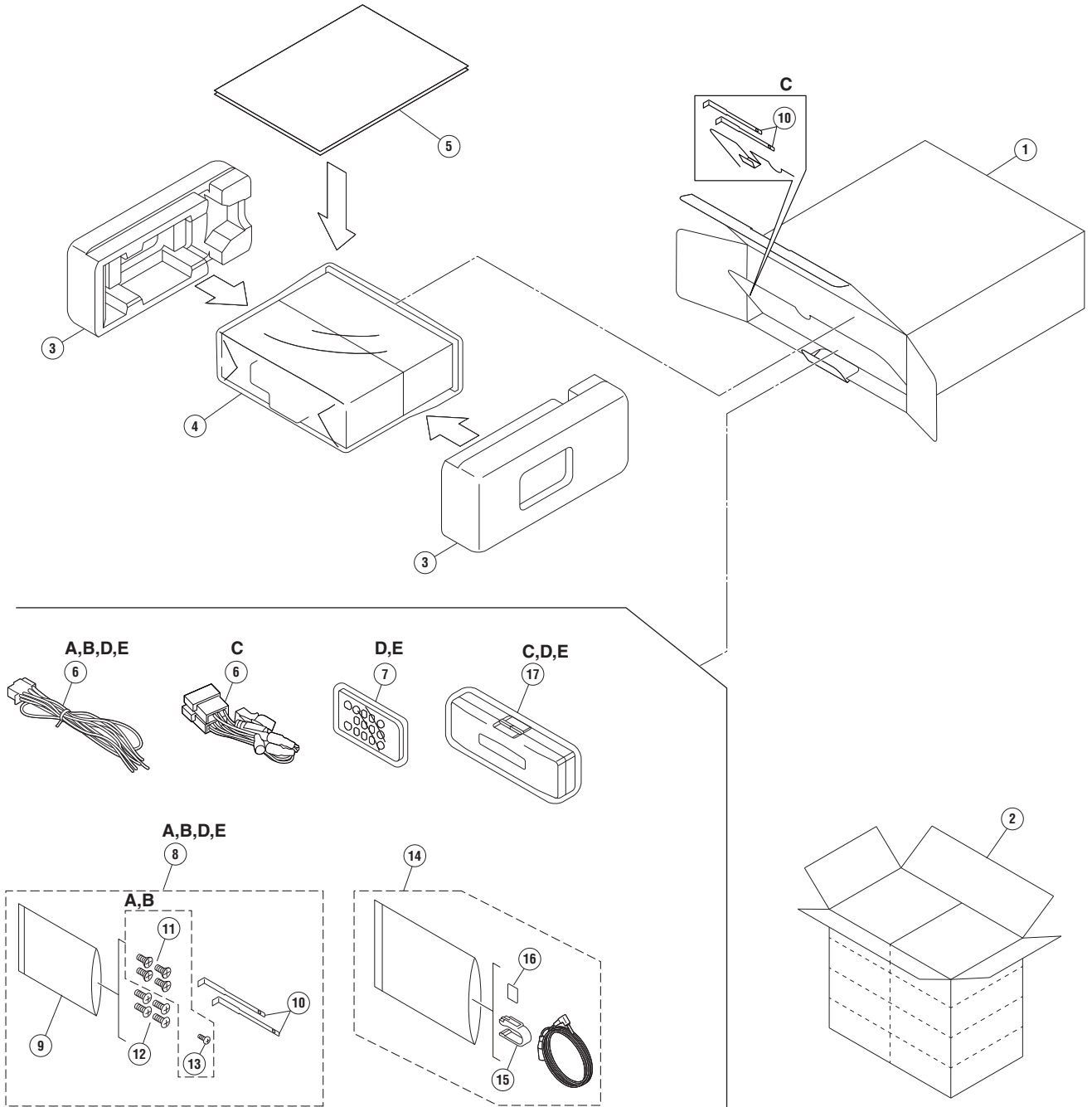


9. EXPLODED VIEWS AND PARTS LIST

- NOTES :**
- Parts marked by " * " are generally unavailable because they are not in our Master Spare Parts List.
 - The  mark found on some component parts indicates the importance of the safety factor of the part. Therefore, when replacing, be sure to use parts of identical designation.
 - Screw adjacent to  mark on the product are used for disassembly.
 - For the applying amount of lubricants or glue, follow the instructions in this manual. (In the case of no amount instructions, apply as you think it appropriate.)

9.1 PACKING SECTION

- A: DEH-S5100BT/XNUC
 B: DEH-S5120BT/XNUC
 C: DEH-S510BT/XNEW5
 D: DEH-X500BT/XNCS
 E: DEH-S5150BT/XNGS



(1) PACKING SECTION PARTS LIST

Mark	No.	Description	DEH-S5100BT /XNUC	DEH-S5120BT /XNUC	DEH-S510BT /XNEW5	DEH-X500BT /XNCS	DEH-S5150BT /XNGS	
A	1	Unit Box	QHG4388	QHG4389	QHG4387	QHG4391	QHG4390	
	2	Contain Box	QHL4388	QHL4389	QHL4387	QHL4391	QHL4390	
	3	Protector	CHP4594	CHP4594	CHP4594	CHP4594	CHP4594	
	4	Polyethylene Bag	CEG1173	CEG1173	QEG3001	QEG3001	QEG3001	
	5-1	Owner's Manual	Not used	Not used	QRB3772	Not used	QRD3587	
	5-2	Quick Start Guide	QRD3581	QRD3581	QRD3577	QRD3588	Not used	
	5-3	Quick Start Guide	Not used	Not used	QRD3578	Not used	Not used	
	5-4	Web IM	See Contents of Web IM(2)	See Contents of Web IM(2)	See Contents of Web IM(2)	See Contents of Web IM(2)	See Contents of Web IM(2)	
	*	5-5	Warranty Card	QRY3001	QRY3001	CRY1376	Not used	Not used
	6	Cord Assy	CDP1484	CDP1484	QDP3072	CDP1484	CDP1484	
	B	7	Card Remote Control Unit	Not used	Not used	Not used	CXE9605	CXE9605
		8	Accessory Assy	QEA3337	QEA3337	Not used	QEA3338	QEA3338
		*	9	Polyethylene Bag	CEG1160	CEG1160	Not used	CEG1160
		10	Handle	QNC3021	QNC3021	QNC3021	QNC3021	QNC3021
		11	Screw	CBA2384	CBA2384	Not used	CBA2384	CBA2384
		12	Screw	CBA2383	CBA2383	Not used	Not used	Not used
13		Screw	BPZ20P060FTC	BPZ20P060FTC	Not used	Not used	Not used	
14		Microphone Assy	CPM1109	CPM1109	CPM1109	CPM1109	CPM1109	
15		Holder	CZN7192	CZN7192	CZN7192	CZN7192	CZN7192	
16		Cushion	CZN7193	CZN7193	CZN7193	CZN7193	CZN7193	
C		17	Case Assy	Not used	Not used	QXA3129	QXA3129	QXA3129

Owner's Manual, Installation Manual

Part No.	Language
QRB3772	Russian
QRD3577	English, French, Italian
QRD3578	Spanish(Espanol), German, Dutch
QRD3581	English, French, Spanish(Espanol)
QRD3587	English, Traditional Chinese, Arabic, Persian
QRD3588	English, Spanish(Espanol), Portuguese(B)

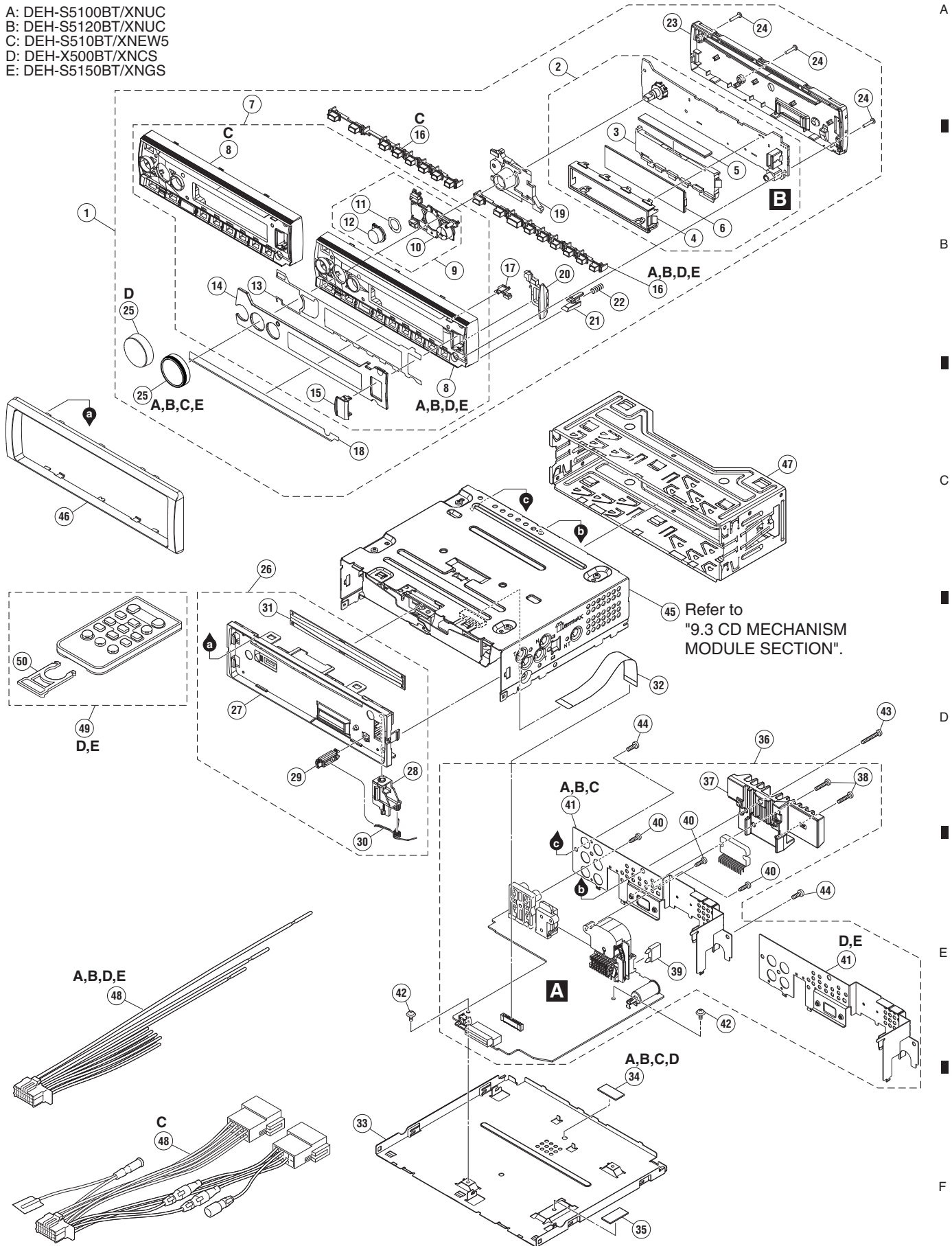
(2) CONTENTS OF WEB IM

Part No.	Language
*QRI3042 (for XNEW5)	English, French, Italian, Spanish(Espanol), German, Dutch
*QRI3044 (for XNUC)	English, French, Spanish(Espanol)
*QRI3098 (for XNCS)	English, Spanish(Espanol), Portuguese(B)

All operation manuals are supplied in PDF files by the WEB. No printed papers are available.

9.2 EXTERIOR SECTION

- A: DEH-S5100BT/XNUC
- B: DEH-S5120BT/XNUC
- C: DEH-S510BT/XNEW5
- D: DEH-X500BT/XNCS
- E: DEH-S5150BT/XNGS



(1) EXTERIOR SECTION PARTS LIST

<u>Mark No.</u>	<u>Description</u>	<u>Part No.</u>	<u>Mark No.</u>	<u>Description</u>	<u>Part No.</u>
A	1 Detach Grille Assy	See Contrast table (2)	26	Panel Assy	QXA4716
	2 Keyboard Unit	See Contrast table (2)	27	Panel	QNS4071
	3 Lighting Conductor	QNV3151	28	Arm	QNV3025
	4 Holder	QNC3131	29	Button	QNV3026
	5 Rubber Connector	QNV3129	30	Spring	QBH3001
	6 Segment LCD (V1801)	CAW2065	31	Cover	QNM3029
	7 Grille Unit	See Contrast table (2)	32	FFC	QDE3029
*	8 Grille	See Contrast table (2)	33	Case	QNB3055
*	9 Button Unit	See Contrast table (2)	34	Heat Cond Sheet	See Contrast table (2)
*	10 Button(SRC,BACK,LIST,DISP)	QAC3302	35	Heat Cond Sheet	QNM3223
B	* 11 DS Tape	QNM3228	36	Tuner Amp Unit	See Contrast table (2)
	* 12 Button	See Contrast table (2)	37	Heat Sink	See Contrast table (2)
	* 13 DS Tape	QNM3227	38	Screw	BSZ26P120FTC
	* 14 Plate	QNS4244	⚠ 39	Fuse (10 A)	CEK1415
	* 15 Door	QAT3034	40	Screw	BPZ26P080FTC
	16 Button	See Contrast table (2)	41	Holder	See Contrast table (2)
	17 Button(EJECT)	QAC3304	42	Screw	ASZ26P050FTC
	18 Plate	See Contrast table (2)	43	Screw	BSZ26P120FTC
	19 Lighting Conductor	QNV3150	44	Screw	BSZ26P060FTC
C	20 Lighting Conductor	QNV3152	45	CD Mechanism Module(11.6VA_T07)	CXK5808
				CD Mechanism Module(S11.6_T07)	CXK5807
	21 Button(DETACH)	QAC3305	46	Panel	QNS4330
	22 Spring	CBH2210	47	Holder	QNC3020
	23 Cover	QNS4246	48	Cord Assy	See Contrast table (2)
	24 Screw	BPZ20P100FTC	49	Card Remote Control Unit	See Contrast table (2)
	25 Knob Unit	See Contrast table (2)	50	Cover	See Contrast table (2)

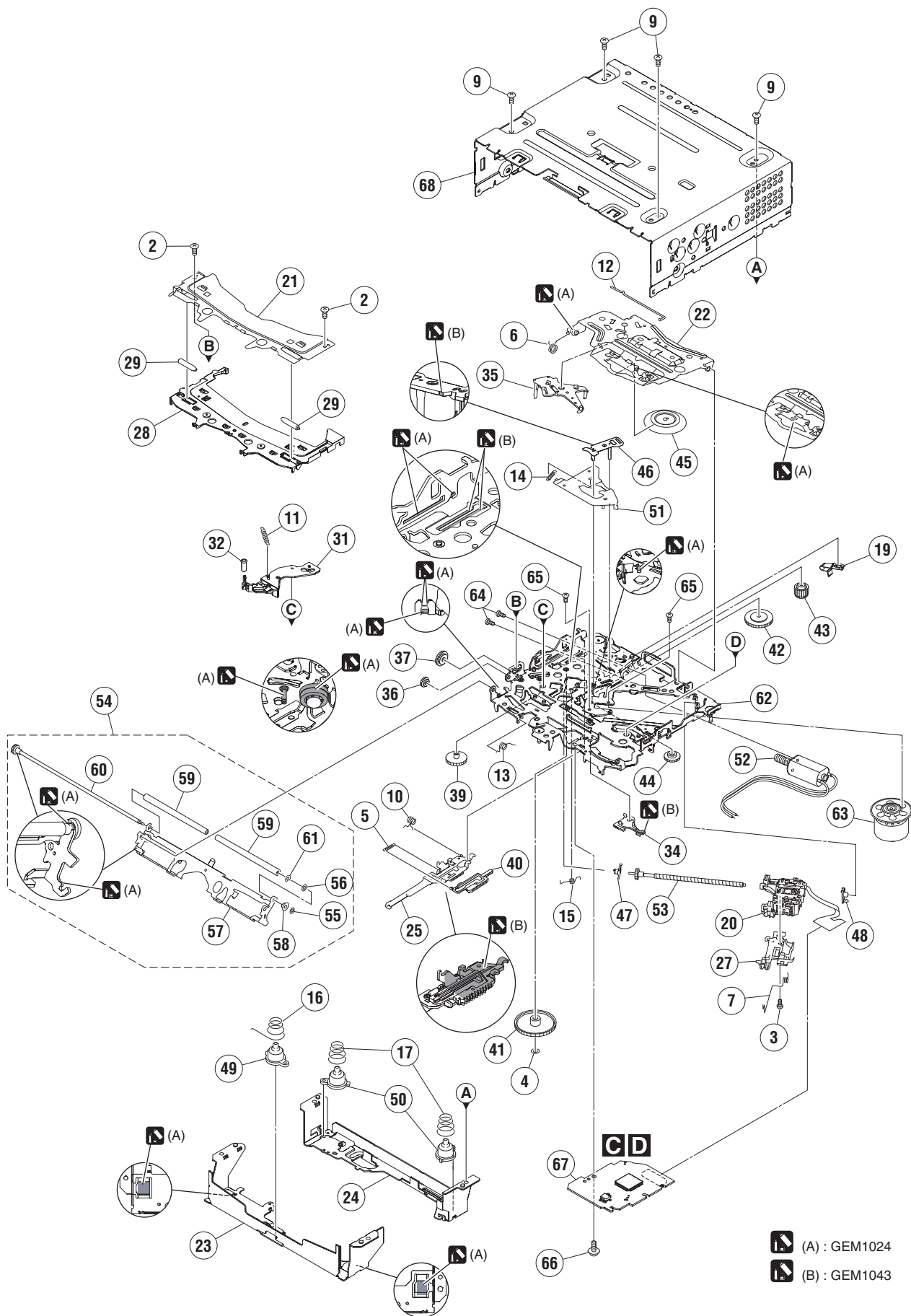
Notes: For No.45, please refer to "1.4 NOTES ON REPLACING PARTS" for part distinguish.

(2) CONTRAST TABLE

DEH-S5100BT/XNUC, DEH-S5120BT/XNUC, DEH-S510BT/XNEW5, DEH-X500BT/XNCS and DEH-S5150BT/XNGS are constructed the same except for the following:

Mark	No.	Description	DEH-S5100BT /XNUC	DEH-S5120BT /XNUC	DEH-S510BT /XNEW5	DEH-X500BT /XNCS	DEH-S5150BT /XNGS
	1	Detach Grille Assy	QXA5829	QXA5609	QXA5610	QXA5612	QXA5611
	2	Keyboard Unit	QWM4984	QWM4984	QWM4985	QWM4984	QWM4984
	7	Grille Unit	QXA5499	QXA5519	QXA5520	QXA5522	QXA5521
*	8	Grille	QNS4242	QNS4242	QNS4243	QNS4242	QNS4242
*	9	Button Unit	QXA5426	QXA5426	QXA5777	QXA5779	QXA5426
	12	Button	QAC3297(BASS)	QAC3297(BASS)	QAC3298(PHONE)	QAC3299(MIX)	QAC3297(BASS)
	16	Button	QAC3296 (TRACK,PHONE,1-6)	QAC3296 (TRACK,PHONE,1-6)	QAC3307 (TRACK,1-6)	QAC3296 (TRACK,PHONE,1-6)	QAC3296 (TRACK,PHONE,1-6)
	18	Plate	QNM3230	QNM3230	QNM3244	QNM3229	QNM3229
	25	Knob Unit	QXA5430	QXA5430	QXA5430	QXA5429	QXA5430
	34	Heat Cond Sheet	QNM3130	QNM3130	QNM3130	QNM3130	Not used
	36	Tuner Amp Unit	QWM4914	QWM4915	QWM4913	QWM4917	QWM4916
	37	Heat Sink	QNR3010	QNR3010	QNR3010	QNR3010	QNR3002
	41	Holder	QNC3113	QNC3113	QNC3113	QNC3165	QNC3165
	48	Cord Assy	CDP1484	CDP1484	QDP3072	CDP1484	CDP1484
	49	Card Remote Control Unit	Not used	Not used	Not used	CXE9605	CXE9605
	50	Cover	Not used	Not used	Not used	CNU3681	CNU3681

9.3 CD MECHANISM MODULE



(A) : GEM1024
 (B) : GEM1043

CD MECHANISM MODULE SECTION PARTS LIST

	<u>Mark No.</u>	<u>Description</u>	<u>Part No.</u>	<u>Mark No.</u>	<u>Description</u>	<u>Part No.</u>
	1	•••••				
A	2	Screw	BSZ20P040FTC	36	Gear	CNW1180
	3	Screw(M2 x 4)	CBA1835	37	Gear	CNW1181
	4	Washer	CBF1038	38	•••••	
	5	Spring	CBH3010	39	Gear	CNW1183
				40	Rack	CNW1184
	6	Spring	CBH2855			
	7	Spring	CBH2856	41	Gear	CNW1185
	8	•••••		42	Gear	CNW1186
	9	Screw	BSZ26P060FTC	43	Gear	CNW1187
	10	Spring	CBH3011	44	Gear	CNW2287
				45	Clamper	CNW1190
B	11	Coil Spring	CBH3095			
	12	Spring	CBH3014	46	Arm	CNW1192
	13	Spring	CBH3145	47	Holder	CNW1193
	14	Spring	CBH3016	48	Holder	CNW1194
	15	Spring	CBH3017	49	Damper	CNW1197
				50	Damper	CNW1198
	16	Spring	CBH3086			
	17	Spring	CBH3019	51	Arm	CNW1726
	18	•••••		52	Motor Unit(M2)(LOAD/CRG)	CXC4026
	19	Leaf Spring	CBL1824	53	Screw Unit	CXC8894
C	20	Pickup Unit(P11)(Service) for CXK5808 CXX4754 Pickup Unit(P10.6)(Service) for CXK5807 CXX3556		54	Arm Assy	CXE8953
				55	Washer	CBF1037
	21	Bracket	CND4553	56	Washer	CBF1038
	22	Arm	CND7608	57	Arm	CND6242
	23	Bracket	CND6127	58	Collar	CNW2444
	24	Bracket	CND5710	59	Roller	CNW2500
	25	Lever	CND6834	60	Gear Unit	CXE8952
	26	•••••		61	Washer	YE15FTC
	27	Rack	CNV8342	62	Chassis Unit	CXE9531
D	28	Guide	CNW3489	63	Motor Unit(M1)(SPDL)	CXE2273
	29	Roller	CNW1172	64	Screw	JFZ20P025FTC
	30	•••••		65	Screw	JGZ17P022FTC
	31	Arm	CNW2241	66	Screw	EBA1028
	32	Roller	CNW1175	67	CD Core Unit (S11.6VA)(for CXK5808) CWX4269 CD Core Unit (S11.6STD)(for CXK5807) CWX4023	
	33	•••••		68	Chassis	CNA3373
	34	Arm	CNW1177			
	35	Arm	CNW1178			

Notes: For No.20 and 67, please refer to "1.4 NOTES ON REPLACING PARTS" for part distinguish.

12. ELECTRICAL PARTS LIST

NOTE:

- Parts whose parts numbers are omitted are subject to being not supplied.
- The part numbers shown below indicate chip components.

Chip Resistor

RS1/○S○○○○J,RS1/○○S○○○J

Chip Capacitor (except for CQS.....)

CKS....., CCS....., CSZS.....

- Parts marked by " * " are generally unavailable because they are not in our Master Spare Parts List.
- The \triangle mark found on some component parts indicates the importance of the safety factor of the part. Therefore, when replacing, be sure to use parts of identical designation.
- The expression of the unit in this manual is shown by u instead of μ . Please do not make a mistake.

<u>Circuit Symbol and No.</u>	<u>Part No.</u>	<u>Circuit Symbol and No.</u>	<u>Part No.</u>
A:DEH-S5100BT/XNUC		IC 741	FlashROM Unit(A,B) QVQ1051
B:DEH-S5120BT/XNUC		IC 741	FlashROM Unit(C,D,E) QVQ1055
C:DEH-S510BT/XNEW5		IC 742	Flash Memory IC W25Q16JVSSIQ
D:DEH-X500BT/XNCS		IC 761	E-VOL System LSI(A,C,D,E) BD37067FV
E:DEH-S5150BT/XNGS		IC 761	E-VOL System LSI(B) BD37068FV
		IC 851	Tuner IC TEF6686AHN
		IC 1301	Power Amp IC(A,B,C,D) TCB501HQ
		IC 1301	Power Amp IC(E) PAL014A
Unit Number: QWM4914(A)		IC 1302	Logic IC TC7SH32FUS2
Unit Number: QWM4915(B)		IC 1401	IC(C,D,E) TC4066BFT
Unit Number: QWM4913(C)		IC 1402	Op-amp IC(C,D,E) NJM8065RB1
Unit Number: QWM4917(D)		Q 111	Resistor Built-in Transistor LTC014TEB
Unit Number: QWM4917(E)		Q 121	Resistor Built-in Transistor LTC014EEB
Unit Name : Tuner Amp Unit		Q 141	Resistor Built-in Transistor LTC014TEB
Unit Number: QWM4984(A,B,D,E)		Q 142	Resistor Built-in Transistor LTC014TEB
Unit Number: QWM4985(C)		Q 201	Resistor Built-in Transistor LTC014TEB
Unit Name : Keyboard Unit		Q 202	FET SSM3J332R
Unit Number: CWX4269		Q 203	Power MOS FET RRR040P03
Unit Name : CD Core Unit(11.6VA_T07)		Q 204	Resistor Built-in Transistor LTC014TEB
Unit Number: CWX4023		Q 205	FET SSM3J332R
Unit Name : CD Core Unit(S11.6STD)		Q 441	Transistor 2SAR502UB
		Q 442	Resistor Built-in Transistor LTC023YEB
		Q 701	Resistor Built-in Transistor LTA023YEB

Notes:

For CD Core Unit, please refer to "1.4 NOTES ON REPLACING PARTS" for part distinguish.

A

Unit Number: QWM4914(A)
Unit Number: QWM4915(B)
Unit Number: QWM4913(C)
Unit Number: QWM4917(D)
Unit Number: QWM4917(E)
Unit Name : Tuner Amp Unit

MISCELLANEOUS

IC 201	Power supply IC	BD49101ARFS	Q 1101	Resistor Built-in Transistor	LTC014EEB
IC 461	DC/DC Converter IC(B)	NJW4132U2-A	Q 1241	Transistor(A,B,C)	IMH23
IC 501	Microprocessor IC	STA1080	Q 1242	Transistor	IMH23
IC 502	IC	S-80827CNMC-B8M	Q 1243	Transistor	IMH23
IC 701	IC	337S3959	Q 1276	Bipolar Transistor(D,E)	EMD53
IC 711	RAM IC	M12L128168A-5TG2N	Q 1277	Bipolar Transistor(D,E)	EMD53
IC 731	ROM IC	M95512-RMN6P	Q 1278	Bipolar Transistor(D,E)	EMD53
			Q 1279	Bipolar Transistor(D,E)	EMD53
			Q 1301	Transistor	EMD52
			Q 1302	Resistor Built-in Transistor	LTA023YEB
			Q 1401	Transistor(C,D,E)	EMD52
			Q 1403	Resistor Built-in Transistor(C,D,E)	LTC014EEB
			D 101	Diode	D1F60-5053
			D 102	Diode	D1F60-5053
			D 111	Zener Diode(A,B,D,E)	UDZV6R8(B)
			D 111	Zener Diode(C)	UDZV7R5(B)
			D 121	Switching Diode	1SS355VM
			D 141	Zener Diode	UDZV7R5(B)
			D 201	Schottky Diode	RB162MM-40TF
			D 202	Rectifier Diode	RR1VWM4STF

Circuit Symbol and No.**Part No.****Circuit Symbol and No.****Part No.**

D 203 Schottky Diode RB056LAM-40TF
 D 204 Rectifier Diode RR1VWM4STF
 D 206 Schottky Diode CMS30I30A
 D 207 Schottky Diode RB751SM-40
 D 208 Schottky Diode RB751SM-40

D 210 Schottky Diode RB162MM-40TF
 D 461 Schottky Diode(B) RB551VM-30
 D 501 Schottky Diode(A,B,C) RB751SM-40
 D 502 Schottky Diode(A,B,C) RB751SM-40
 D 1001 Zener Diode SZESD7351HG

D 1101 Zener Diode UDZV18(B)
 D 1201 Zener Diode RSB6R8SM
 D 1204 Zener Diode UDZV18(B)
 D 1205 Zener Diode UDZV18(B)
 D 1206 Zener Diode RSB6R8SM

D 1207 Zener Diode RSB6R8SM
 D 1208 Zener Diode RSB6R8SM
 D 1209 Zener Diode RSB6R8SM
 D 1210 Zener Diode RSB6R8SM
 D 1301 Rectifier Diode(E) RR1VWM4STF

D 1302 Rectifier Diode RR1VWM4STF
 D 1303 Schottky Diode RB751SM-40
 L 101 Choke Coil 120 uH CTH1620
 L 201 SMD SPL Inductor CTH1521
 L 202 SMD SPL Inductor CTH1584

L 203 Chip Beads VTL1133
 L 441 Inductor CTF1736
 L 461 SMD SPL Inductor(B) CTH1674
 L 501 Chip Beads VTL1133
 L 502 Inductor CTF1645

L 504 Chip Beads VTL1133
 L 505 Chip Beads VTL1133
 L 511 Chip Beads VTL1133
 L 513 Chip Beads VTL1133
 L 514 Chip Beads VTL1126

L 517 Chip Beads VTL1133
 L 518 Chip Beads VTL1133
 L 519 Chip Beads VTL1133
 L 520 Chip Beads VTL1133
 L 711 Chip Beads VTL1133

L 854 Inductor LCMAR27J1608
 L 855 Inductor CTF1786
 L 856 Inductor(A,B,C,D) CTF1787
 L 857 SMD SPL Inductor(E) LCYAR82J2016
 L 858 Chip Coil(E) LCTAWR27J2520

L 859 Chip Coil(E) LCTAWR27J2520
 L 860 Inductor(A,B,C,D) LCYC150K1608
 L 863 Inductor LCMAR22J1608
 L 1001 Chip Ferrite Bead DTL1107
 L 1101 Inductor CTF1787

L 1102 Chip Beads VTL1133
 L 1103 Chip Beads VTL1133
 L 1104 Chip Beads VTL1133
 L 1201 Noise Filter CTF1901
 L 1401 Ferrite Bead(C,D,E) CTF1528

X 501 Resonator 24 MHz CSS1773
 X 502 Resonator 32.768 kHz CSS1807
 X 851 Crystal Resonator 55.46667 MHz CSS1898
 S 501 Switch(RESET) CSG1020
 P 852 Surge Absorber IMSA-6803-01Y900

P 1243 Poly Switch FSMD075-24R
 P 1276 Poly Switch FSMD075-24R
 VA1101 SMD Varistor MLV0402ES012V0010N
 VA1201 SMD Varistor MLV0402ES012V0010N
 VA1202 SMD Varistor MLV0402ES012V0010N

U 1001 BT Module CWX4751
 CN1101 Connector VKN1192
 CN1201 Connector CKS6452
 JA 101 Plug CKM1624
 JA 851 Antenna Jack CKX1104

JA 1241 RCA Jack(A,B,C) CKB1113
 JA 1241 RCA Jack(D,E) CKB1109
 JA 1276 Jack CKN1103

RESISTORS

R 111 XRS1/16SS223J
 R 112 XRS1/16SS473J
 R 113 (A,B,D,E) XRS1/16SS682J
 R 113 (C) XRS1/16SS333J
 R 114 (A,B,D,E) RS1/4SA102J

R 114 (C) RS1/4SA122J
 R 121 XRS1/16SS103J
 R 123 RS1/4SA102J
 R 141 XRS1/16SS104J
 R 142 XRS1/16SS473J

R 143 XRS1/16SS103J
 R 144 XRS1/16SS472J
 R 145 XRS1/16SS0R0J
 R 165 XRS1/10SR0R0J
 R 201 XRS1/16SS102J

R 202 XRS1/16SS3303D
 R 203 XRS1/10SR0R0J
 R 204 XRS1/10SR0R0J
 R 206 XRS1/16SS472J
 R 207 XRS1/16SS103J

R 208 XRS1/16SS473J
 R 209 XRS1/10SR472J
 R 210 XRS1/16SS103J
 R 211 XRS1/10SR472J
 R 212 XRS1/16SS103J

R 213 XRS1/16SS132J
 R 214 XRS1/16SS102J
 R 215 XRS1/16SS2403D
 R 216 XRS1/16SS7502D
 R 217 XRS1/16SS4303D

R 218 XRS1/16SS4303D
 R 219 XRS1/16SS273J
 R 220 XRS1/16SS474J
 R 221 XRS1/16SS473J
 R 222 XRS1/16SS6802D

R 223 0.02 ohm CCN1401
 R 224 XRS1/16SS6802D
 R 225 XRS1/16SS102J
 R 226 XRS1/16SS1203D
 R 227 XRS1/16SS1802D

R 229 XRS1/16SS3902D
 R 230 XRS1/16SS682J
 R 231 XRS1/16SS4703D
 R 232 XRS1/16SS1503D

<u>Circuit Symbol and No.</u>	<u>Part No.</u>	<u>Circuit Symbol and No.</u>	<u>Part No.</u>
R 233	XRS1/16SS1003D	R 547	XRS1/16SS473J
R 234	XRS1/16SS7503D	R 548	XRS1/16SS102J
R 235	XRS1/16SS1603D	R 550	XRS1/16SS103J
R 236	XRS1/16SS103J	R 551	XRS1/16SS103J
R 238	XRS1/16SS822J	R 552	XRS1/16SS102J
R 239	XRS1/16SS101J	R 554	XRS1/16SS222J
		R 555	XRS1/16SS135J
R 240	XRS1/16SS101J		
R 241	XRS1/16SS680J	R 556	XRS1/16SS101J
R 242	XRS1/16SS4701D	R 557	XRS1/16SS101J
R 243	XRS1/16SS393J	R 558	XRS1/16SS222J
R 244	XRS1/16SS103J	R 559	XRS1/16SS222J
		R 560	XRS1/16SS473J
R 246	XRS1/10SR0R0J		
R 248	XRS1/16SS473J	R 561	XRS1/16SS103J
R 250	XRS1/10SR471J	R 562	XRS1/16SS472J
R 263	XRS1/10SR103J	R 563	XRS1/16SS472J
R 269	XRS1/16SS101J	R 564	XRS1/16SS472J
		R 566	RAB4CQ103J
R 301	XRS1/10SR0R0J		
R 441	XRS1/16SS103J	R 567	XRS1/16SS472J
R 442	XRS1/10SR221J	R 568	XRS1/16SS0R0J
R 461 (B)	XRS1/10SR0R0J	R 570	XRS1/16SS221J
R 463 (B)	XRS1/16SS2202D	R 571	XRS1/16SS221J
		R 572	XRS1/16SS472J
R 464 (B)	XRS1/16SS4701D		
R 465 (B)	XRS1/16SS4303D	R 573	XRS1/16SS473J
R 466 (B)	XRS1/10SR102J	R 574	XRS1/16SS473J
R 501 (B)	XRS1/16SS222J	R 575	XRS1/16SS473J
R 503	XRS1/16SS3R3J	R 577	XRS1/16SS182J
		R 578	XRS1/16SS473J
R 504	XRS1/16SS3R3J		
R 505	XRS1/16SS221J	R 579	XRS1/16SS473J
R 506	XRS1/16SS473J	R 580	XRS1/16SS473J
R 507	XRS1/16SS473J	R 581	XRS1/16SS0R0J
R 508	XRS1/16SS473J	R 583	XRS1/16SS0R0J
		R 584	XRS1/16SS102J
R 509	XRS1/16SS473J		
R 510	XRS1/16SS473J	R 585	XRS1/16SS0R0J
R 511	XRS1/16SS473J	R 586	XRS1/16SS103J
R 512	XRS1/16SS102J	R 587	XRS1/16SS102J
R 513	XRS1/16SS222J	R 588	XRS1/16SS221J
		R 589	XRS1/16SS0R0J
R 515	XRS1/16SS103J		
R 517	XRS1/16SS103J	R 590	XRS1/16SS221J
R 518	XRS1/16SS472J	R 591	XRS1/16SS361J
R 519	XRS1/16SS271J	R 593	XRS1/16SS0R0J
R 521	XRS1/16SS473J	R 594	XRS1/16SS0R0J
		R 596	XRS1/16SS0R0J
R 522	XRS1/16SS0R0J		
R 524	XRS1/16SS3001D	R 597	XRS1/16SS102J
R 525	XRS1/16SS103J	R 598	XRS1/16SS102J
R 526	XRS1/16SS1213F	R 599	XRS1/16SS102J
R 531	XRS1/16SS222J	R 603	XRS1/16SS101J
		R 604	XRS1/16SS101J
R 532	XRS1/16SS222J		
R 533	XRS1/10SR103J	R 605	XRS1/16SS101J
R 534	XRS1/10SR103J	R 611	XRS1/16SS472J
R 536	XRS1/16SS472J	R 614	XRS1/16SS473J
R 538 (A,C)	XRS1/16SS472J	R 615	XRS1/16SS103J
		R 617	XRS1/16SS473J
R 538 (D)	XRS1/16SS223J		
R 538 (E)	XRS1/16SS103J	R 627	XRS1/16SS153J
R 539 (B,E)	XRS1/16SS473J	R 628	XRS1/16SS153J
R 540	XRS1/16SS103J	R 629	XRS1/16SS472J
R 541	XRS1/16SS103J	R 630	XRS1/16SS101J
		R 631	XRS1/16SS0R0J
R 544	XRS1/16SS102J		
R 545	XRS1/16SS473J	R 632	XRS1/16SS101J
R 546	XRS1/16SS273J	R 633	XRS1/16SS101J

	<u>Circuit Symbol and No.</u>	<u>Part No.</u>	<u>Circuit Symbol and No.</u>	<u>Part No.</u>
	R 634	XRS1/16SS101J	R 745	XRS1/16SS330J
	R 635	XRS1/16SS101J	R 746	XRS1/16SS103J
A	R 636	XRS1/16SS101J	R 747	XRS1/16SS330J
			R 748	XRS1/16SS330J
	R 637	XRS1/16SS221J		
	R 638	XRS1/16SS221J	R 749	XRS1/16SS330J
	R 639	XRS1/16SS101J	R 750	XRS1/16SS103J
	R 640	XRS1/16SS101J	R 751	XRS1/16SS103J
	R 642	XRS1/16SS221J	R 753	XRS1/16SS103J
			R 754	XRS1/16SS330J
	R 643	XRS1/16SS101J		
	R 644	XRS1/16SS473J	R 755	XRS1/16SS0R0J
	R 645	XRS1/16SS101J	R 756	XRS1/16SS0R0J
	R 646	XRS1/16SS101J	R 757	XRS1/16SS0R0J
	R 647	XRS1/16SS102J	R 761	XRS1/10SR221J
B			R 762	XRS1/16SS0R0J
	R 648	XRS1/16SS102J		
	R 650	XRS1/16SS101J	R 763	XRS1/16SS101J
	R 651	XRS1/16SS102J	R 764	XRS1/16SS101J
	R 652	XRS1/16SS101J	R 765	XRS1/16SS222J
	R 653	XRS1/16SS0R0J	R 766	XRS1/16SS0R0J
			R 767	XRS1/16SS104J
	R 657	XRS1/16SS101J		
	R 658	XRS1/16SS101J	R 768	XRS1/16SS181J
	R 659	XRS1/16SS101J	R 851	XRS1/16SS105J
	R 660	XRS1/16SS101J	R 852	XRS1/16SS105J
	R 661	XRS1/16SS101J	R 853	XRS1/16SS391J
			R 853	XRS1/16SS101J
C	R 663	XRS1/16SS101J		
	R 664	XRS1/16SS101J	R 857	XRS1/16SS0R0J
	R 672	XRS1/16SS101J	R 863	XRS1/16SS103J
	R 690	XRS1/16SS472J	R 868	XRS1/16SS103J
	R 701	XRS1/16SS103J	R 870	XRS1/16SS101J
			R 871	XRS1/16SS0R0J
	R 702	XRS1/16SS472J		
	R 703	XRS1/16SS101J	R 872	XRS1/16SS0R0J
	R 704	XRS1/16SS101J	R 873	XRS1/16SS182J
	R 705	XRS1/16SS222J	R 874	XRS1/16SS101J
	R 706	XRS1/16SS222J	R 875	XRS1/16SS472J
			R 890	XRS1/16SS0R0J
	R 707	XRS1/16SS472J		
D	R 708	XRS1/16SS272J	R 1001	XRS1/16SS0R0J
	R 709	XRS1/16SS473J	R 1002	XRS1/16SS221J
	R 710	XRS1/16SS0R0J	R 1004	XRS1/16SS473J
	R 714	RAB4CQ121J	R 1005	XRS1/16SS221J
			R 1006	XRS1/16SS0R0J
	R 715	RAB4CQ121J		
	R 716	RAB4CQ121J	R 1007	XRS1/16SS0R0J
	R 717	RAB4CQ121J	R 1011	XRS1/16SS221J
	R 718	RAB4CQ121J	R 1012	XRS1/16SS221J
	R 719	RAB4CQ121J	R 1013	XRS1/16SS0R0J
			R 1017	XRS1/16SS473J
	R 720	RAB4CQ121J		
	R 721	RAB4CQ121J	R 1018	XRS1/16SS473J
E	R 722	RAB4CQ121J	R 1101	XRS1/16SS104J
	R 723	XRS1/10SR0R0J	R 1104	XRS1/16SS472J
	R 724	XRS1/16SS121J	R 1105	XRS1/16SS221J
			R 1106	XRS1/16SS221J
	R 731	XRS1/16SS330J		
	R 732	XRS1/16SS330J	R 1107	XRS1/16SS101J
	R 733	XRS1/16SS103J	R 1108	XRS1/16SS221J
	R 734	XRS1/16SS103J	R 1109	XRS1/16SS101J
	R 735	XRS1/16SS103J	R 1110	XRS1/16SS102J
			R 1112	XRS1/16SS221J
	R 736	XRS1/16SS330J		
	R 737	XRS1/16SS330J	R 1114	XRS1/16SS473J
	R 741	XRS1/16SS330J	R 1115	XRS1/16SS472J
F	R 742	XRS1/16SS103J	R 1116	XRS1/16SS472J
	R 743	XRS1/16SS103J	R 1117	XRS1/16SS472J
			R 1119	XRS1/16SS473J
	R 744	XRS1/16SS330J		

<u>Circuit Symbol and No.</u>	<u>Part No.</u>	<u>Circuit Symbol and No.</u>	<u>Part No.</u>
R 1120	XRS1/16SS151J	R 1308 (A,B,C,D)	RS1/8SQ0R0J
R 1121	XRS1/16SS151J	R 1309 (A,B,C,D)	RS1/8SQ0R0J
R 1122	XRS1/16SS151J	R 1310 (E)	RS1/8SQ0R0J
R 1201	XRS1/10SR222J	R 1311 (E)	RS1/8SQ0R0J
R 1203	XRS1/16SS223J	R 1312	XRS1/16SS103J
R 1204	XRS1/16SS223J	R 1313	XRS1/16SS102J
R 1205	XRS1/10SR222J	R 1321 (A,C,D,E)	XRS1/16SS0R0J
R 1206	XRS1/10SR0R0J	R 1321 (B)	XRS1/16SS432J
R 1207	XRS1/10SR0R0J	R 1322 (A,C,D,E)	XRS1/16SS0R0J
R 1208	XRS1/10SR0R0J	R 1322 (B)	XRS1/16SS432J
R 1209	XRS1/10SR222J	R 1323 (A,C,D,E)	XRS1/16SS0R0J
R 1210	XRS1/10SR222J	R 1323 (B)	XRS1/16SS432J
R 1211	XRS1/10SR222J	R 1324 (A,C,D,E)	XRS1/16SS0R0J
R 1212	XRS1/10SR222J	R 1324 (B)	XRS1/16SS432J
R 1213	XRS1/16SS123J	R 1325 (B)	XRS1/16SS272J
R 1214	XRS1/10SR222J	R 1326 (B)	XRS1/16SS272J
R 1215	XRS1/10SR101J	R 1327 (B)	XRS1/16SS272J
R 1218 (A,B,C)	XRS1/16SS0R0J	R 1328 (B)	XRS1/16SS272J
R 1219 (A,B,C)	XRS1/16SS0R0J	R 1401 (C,D,E)	XRS1/16SS221J
R 1220	XRS1/16SS0R0J	R 1402 (C,D,E)	XRS1/16SS102J
R 1221	XRS1/16SS0R0J	R 1403 (C,D,E)	XRS1/16SS103J
R 1222	XRS1/16SS0R0J	R 1407 (C,D,E)	XRS1/16SS272J
R 1223	XRS1/16SS0R0J	R 1408 (C,D,E)	XRS1/16SS332J
R 1241 (A,C)	XRS1/16SS821J	R 1409 (C,D,E)	XRS1/16SS333J
R 1241 (B)	XRS1/16SS470J	R 1410 (C,D,E)	XRS1/16SS163J
R 1242 (A,C)	XRS1/16SS821J	R 1411 (C,D,E)	XRS1/16SS824J
R 1242 (B)	XRS1/16SS470J	R 1412 (C,D,E)	XRS1/16SS563J
R 1243 (A,C,D,E)	XRS1/16SS821J	R 1413 (C,D,E)	XRS1/16SS0R0J
R 1243 (B)	XRS1/16SS470J	R 1414 (C,D,E)	XRS1/16SS0R0J
R 1244 (A,C,D,E)	XRS1/16SS821J	R 1415 (C,D,E)	XRS1/16SS273J
R 1244 (B)	XRS1/16SS470J	R 1416	XRS1/10SR0R0J
R 1245 (A,C,D,E)	XRS1/16SS821J	R 1421 (A,B)	XRS1/16SS0R0J
R 1245 (B)	XRS1/16SS470J	R 1422 (A,B)	XRS1/16SS0R0J
R 1246 (A,C,D,E)	XRS1/16SS821J	R 1428 (C,D,E)	XRS1/16SS0R0J
R 1246 (B)	XRS1/16SS470J	R 1431	XRS1/10SR0R0J
R 1247	XRS1/16SS223J	<u>CAPACITORS</u>	
R 1248	XRS1/16SS223J	C 101 2 200 uF/16V	CCH1659
R 1249	XRS1/16SS223J	C 102	CKSRYB103K50
R 1250	XRS1/16SS223J	C 103	CKSSYB102K50
R 1251 (A,B,C)	XRS1/16SS223J	C 104	CKSSYB102K50
R 1252 (A,B,C)	XRS1/16SS223J	C 105	CKSSYB102K50
R 1253 (A,B,C)	XRS1/16SS0R0J	C 106	CKSSYB102K50
R 1254 (D,E)	XRS1/16SS0R0J	C 107	CKSSYB102K50
R 1255 (A,B,C)	XRS1/16SS0R0J	C 108	CKSSYB102K50
R 1256 (D,E)	XRS1/16SS0R0J	C 109	CKSSYB102K50
R 1276 (D,E)	XRS1/16SS8201D	C 110	CKSSYB102K50
R 1277 (D,E)	XRS1/16SS6800D	C 111	CKSRYX104K50
R 1278 (A,B,C)	XRS1/16SS102J	C 121	CKSSYB104K16
R 1278 (D,E)	XRS1/16SS1001D	C 122	CKSRYX105K50
R 1279 (D,E)	XRS1/16SS6800D	C 201	CKSSYB681K50
R 1280 (A,B,C)	XRS1/16SS102J	C 202	CEVW221M16
R 1280 (D,E)	XRS1/16SS1001D	C 203	CKSRYX106M6R3
R 1281	XRS1/16SS101J	C 204	CEVQW221M6R3
R 1282	XRS1/16SS101J	C 205	CKSRYX105K50
R 1283 (D,E)	XRS1/16SS8201D	C 206	CKSYX106K35
R 1301	XRS1/16SS123J	C 207	CKSSYB104K10
R 1302	XRS1/16SS103J	C 208	CCSSCH471J50
R 1303	XRS1/16SS221J	C 209	CKSSYB681K50
R 1306	XRS1/16SS103J		
R 1307	XRS1/16SS0R0J		

Circuit Symbol and No.Part No.Circuit Symbol and No.Part No.

	C 210	2 200 uF/16V	CCH1659	C 509	CKSRYX475K6R3
	C 211		CKSQYX106K10	C 510	CKSSYB104K10
A	C 212		CEAT102M16	C 511	CKSRYX475K6R3
				C 512	CKSSYB104K10
	C 213		CKSSYB222K50		
	C 214		CKSRYX106M6R3	C 513	CKSRYX475K6R3
	C 215		CKSSYB104K16	C 514	CKSSYB104K10
	C 216		CKSSYX104K50	C 515	CKSSYX105K10
	C 218		CKSYX106K35	C 516	CKSRYX225K16
				C 517	CKSSYB104K10
	C 220		CKSYX106K35		
	C 221		CKSYX106K35	C 518	CCSSCH100D50
	C 222		CEVW221M16	C 519	CCSSCH100D50
	C 223		CCSSCH221J50	C 520	CKSRYX475K6R3
	C 224		CKSRYX105K16	C 521	CKSSYB104K10
				C 522	CKSRYX475K6R3
B	C 225		CKSRYX105K16		
	C 227		CCSSCH221J50	C 523	CKSRYX475K6R3
	C 228		CKSSYB102K50	C 524	CKSRYX475K6R3
	C 230		CKSQYX106K10	C 525	CKSRYX106M6R3
	C 231		CKSSYB104K16	C 526	CKSSYB103K16
				C 527	CKSRYX106M6R3
	C 232		CEHVW101M6R3		
	C 234		CKSRYX475K6R3	C 528	CKSSYB103K16
	C 236		CKSYX106K35	C 529	CKSSYB104K10
	C 237		CKSSYB104K16	C 530	CKSRYX475K6R3
	C 238		CKSYX226M16	C 531	CKSSYX105K10
				C 532	CKSSYX105K10
C	C 239		CCSSCH100D50		
	C 240		CCSSCH100D50	C 533	CKSRYX475K6R3
	C 241		CKSQYX106K10	C 534	CKSSYB104K10
	C 242		CKSSYB104K16	C 535	CEVW221M10
	C 243		CKSYX106K35	C 536	CCSSCH101J50
				C 537	CKSSYB103K16
	C 244		CKSSYB102K50		
	C 245		CKSYX106K35	C 538	CKSRYX106M6R3
	C 246		CKSRYX104K50	C 539	CKSSYB103K16
	C 247		CKSSYX105K10	C 540	CKSRYX106M6R3
	C 248		CKSRYX105K50	C 541	CKSSYB222K50
				C 542	CKSSYB104K10
	C 249		CCSSCH820J50		
D	C 250		CKSRYX225K10	C 543	CKSSYX105K10
	C 251		CKSSYX105K10	C 544	CKSSYB473K16
	C 252		CKSRYX475K6R3	C 545	CCSSCH100D50
	C 253		CKSRYX105K50	C 546	CCSSCH120J50
				C 551	CKSSYB104K10
	C 255		CKSSYX105K6R3		
	C 257		CKSYX106K35	C 552	CKSRYX475K6R3
	C 259		CKSQYX106K10	C 553	CKSRYX106M6R3
	C 260		CKSQYX106K10	C 555	CKSSYB103K16
	C 261		CKSSYB104K10	C 556	CKSSYB104K10
				C 559	CKSQYB224K50
	C 267		CKSSYB104K16		
	C 270		CKSRYX475K6R3	C 560	CKSSYB103K16
E	C 441		CCSSCH101J50	C 565	CCSSCH270J50
	C 442		CKSRYX106M6R3	C 566	CCSSCH330J50
	C 443		CCSSCH101J50	C 575	CKSSYB104K10
				C 576	CKSSYB102K50
	C 444		CKSRYX106M6R3		
	C 461	(B)	CKSYX106K35	C 580	CKSRYX104K50
	C 462	(B)	CKSYX106K35	C 588	CKSSYB104K10
	C 463	(B)	CKSQYX106K16	C 590	CKSSYB472K25
	C 464	(B)	CKSSYB221K50	C 591	CKSSYB472K25
				C 592	CKSSYB472K25
	C 502		CKSSYB104K10		
	C 503		CKSRYX475K6R3	C 593	CKSSYB472K25
	C 505		CKSSYB104K10	C 595	CKSSYB472K25
F	C 506		CKSRYX475K6R3	C 701	CKSSYB104K10
	C 507		CKSRYX475K6R3	C 702	CKSSYB104K10
				C 712	CKSSYX105K10
	C 508		CKSSYB104K10		

<u>Circuit Symbol and No.</u>	<u>Part No.</u>	<u>Circuit Symbol and No.</u>	<u>Part No.</u>
C 713	CKSSYB104K10	C 882	CKSSYX105K10
C 714	CKSSYX105K10	C 884 (A,C,D,E)	CKSSYB104K16
C 715	CKSSYX105K10	C 885 (A,B,C,D)	CKSRYB103K50
C 716	CKSSYX105K10	C 890	CKSRYX106M6R3
C 717	CKSRYX475K6R3	C 891	CKSRYX225K10
C 718	CKSSYX105K10	C 1003	CKSSYB104K16
C 719	CKSSYB104K10	C 1004	CKSSYB104K16
C 721	CKSSYX105K16	C 1101	CKSSYB103K16
C 722	CKSSYB104K10	C 1105	CKSSYX105K10
C 723	CKSSYB102K50	C 1106	CKSSYX105K10
C 729	CKSQYX106K10	C 1109	CKSSYB102K50
C 731	CKSSYB104K10	C 1201 1 000 pF	CCG1345
C 741	CKSRYX225K10	C 1202	CKSSYX104K50
C 742	CKSSYB104K10	C 1203	CKSRYX104K50
C 743	CKSSYB104K10	C 1204	CKSRYX105K16
C 761	CKSRYX105K16	C 1205	CCSRCH221J50
C 762	CKSRYX105K16	C 1206	CCSRCH221J50
C 763	CKSRYX105K16	C 1210	CKSRYX105K16
C 767 (C,D,E)	CKSRYX105K16	C 1212	CCSSCH470J50
C 768 (C,D,E)	CKSRYX105K16	C 1217	CCSSCH121J50
C 769	CKSRYX105K16	C 1221	CKSYX106K35
C 770	CKSRYX105K16	C 1241 (A,C)	CKSQYX106K10
C 771	CKSRYX105K16	C 1241 (B)	CKSQYX106K25
C 772	CKSRYX105K16	C 1242 (A,C)	CKSQYX106K10
C 773	CKSRYX105K16	C 1242 (B)	CKSQYX106K25
C 774	CCSSCH151J50	C 1243 (A,C,D,E)	CKSQYX106K10
C 775	CCSSCH151J50	C 1243 (B)	CKSQYX106K25
C 776	CKSSYX104K50	C 1244 (A,C,D,E)	CKSQYX106K10
C 777	CKSYX106K35	C 1244 (B)	CKSQYX106K25
C 778 (C,D,E)	CKSRYX105K16	C 1245 (A,C,D,E)	CKSQYX106K10
C 779	CKSQYX106K10	C 1245 (B)	CKSQYX106K25
C 780	CKSSYB104K16	C 1246 (A,C,D,E)	CKSQYX106K10
C 781	CKSRYX105K16	C 1246 (B)	CKSQYX106K25
C 782	CKSRYX105K16	C 1247 (A,C,D,E)	CKSSYB102K50
C 783	CKSRYX105K16	C 1247 (B)	CKSSYB103K16
C 784	CKSRYX105K16	C 1248 (A,C,D,E)	CKSSYB102K50
C 785	CKSRYX105K16	C 1248 (B)	CKSSYB103K16
C 787	CKSQYX106K16	C 1249 (A,C,D,E)	CKSSYB102K50
C 788	CKSQYX106K16	C 1249 (B)	CKSSYB103K16
C 790	CKSRYX106M6R3	C 1250 (A,C,D,E)	CKSSYB102K50
C 791	CKSSYB103K25	C 1250 (B)	CKSSYB103K16
C 794	CCSSCH101J50	C 1251 (A,C)	CKSSYB102K50
C 853	CCSSCH120J50	C 1251 (B)	CKSSYB103K16
C 854	CCSSCH471J50	C 1252 (A,C)	CKSSYB102K50
C 856	CKSSYX104K50	C 1252 (B)	CKSSYB103K16
C 857	CKSSYX104K50	C 1253	CKSSYB103K16
C 858	CCSSCH5R0C50	C 1254	CKSSYB104K10
C 859	CCSSCH120J50	C 1255	CKSSYB331K50
C 860 (E)	CCSSCK2R0C50	C 1256	CKSSYX105K10
C 861 (E)	CCSSCK2R0C50	C 1276	CKSSYB104K16
C 862 (E)	CCSSCK2R0C50	C 1277	CKSSYB104K16
C 863 (E)	CCSSCK2R0C50	C 1278	CKSSYB104K16
C 865	CKSRYX225K10	C 1279	CKSSYB104K16
C 866	CKSSYB224K6R3	C 1280	CKSSYB102K50
C 867	CKSSYB102K50	C 1281	CKSSYB102K50
C 870	CKSSYB102K50	C 1301	CKSQYB474K25
C 872	CKSSYB104K10	C 1302	CKSQYB474K25
C 874	CCSSCH180J50	C 1303	CKSQYB474K25
C 875	CKSSYB104K10	C 1304	CKSQYB474K25
C 878	CKSSYB152K50		

Circuit Symbol and No.Part No.Circuit Symbol and No.Part No.

C 1305		CKSSYB104K10
C 1306		CKSRYB474K10
C 1308		CKSRYX104K50
C 1310		CKSQYX106K16
C 1311		CKSRYX225K10
C 1312		CKSRYX104K50
C 1317		CKSRYX104K50
C 1318		CKSRYX104K50
C 1321		CKSRYX106M6R3
C 1401	(C,D,E)	CKSSYB104K10
C 1403	(C,D,E)	CKSRYX106M6R3

S 1832	Push Switch	CSG1155
S 1833	Push Switch	CSG1155
S 1834	Push Switch	CSG1155
S 1835	Push Switch	CSG1155
S 1836	Rotary Encoder(MULTI-CONTROL)	CSD1212
CN1941	Connector	CKS6287
JA 1901	Connector	CKS6443
JA 1921	Jack	CKN1090
V 1801	Segment LCD	CAW2065

RESISTORS

C 1404	(C,D,E)	CKSSYB104K10
C 1405	(C,D,E)	CKSSYX105K10
C 1406	(C,D,E)	CKSSYB104K10
C 1407	(C,D,E)	CKSSYB182K50
C 1408	(C,D,E)	CKSRYX105K25
C 1409	(C,D,E)	CKSSYX105K10
C 1410	(C,D,E)	CCSSCH6R0D50
C 1411	(C,D,E)	CKSSYB102K50
C 1412	(C,D,E)	CKSSYB104K10
C 1421	(C,D,E)	CKSRYX105K16
C 1422	(C,D,E)	CKSRYX105K16
C 1424		CKSRYB474K10

R 1802		XRS1/10SR472J
R 1821		XRS1/10SR273J
R 1852	(C)	XRS1/10SR473J
R 1854	(A,B,D,E)	XRS1/10SR101J
R 1921		XRS1/10SR221J
R 1922		XRS1/10SR221J
R 1923		XRS1/10SR0R0J
R 1941		XRS1/10SR222J
R 1942		XRS1/10SR222J
R 1943		XRS1/10SR222J
R 1944		XRS1/10SR222J
R 1951		XRS1/10SR332J
R 1952		XRS1/10SR152J
R 1953		XRS1/10SR332J
R 1954		XRS1/10SR152J
R 1955		XRS1/10SR332J
R 1956		XRS1/10SR152J
R 1957		XRS1/10SR680J
R 1958		XRS1/10SR680J
R 1959		XRS1/10SR680J

B

Unit Number: QWM4984(A,B,D,E)

Unit Number: QWM4985(C)

Unit Name : Keyboard Unit

MISCELLANEOUS

IC 1801	Driver IC	BU97540KV-M
IC 1851	IR RC REC Module(A,B,D,E)	PNJ4833M
Q 1951	Bipolar Transistor	LSCR523UB
Q 1952	Bipolar Transistor	LSCR523UB
Q 1953	Bipolar Transistor	LSCR523UB
Q 1954	Bipolar Transistor	LSCR523UB
Q 1955	Bipolar Transistor	LSCR523UB
Q 1956	Bipolar Transistor	LSCR523UB
D 1901	Zener Diode	SZESD7351HG
D 1902	Zener Diode	SZESD7351HG
D 1941	Zener Diode	RSB6R8SM
D 1942	Zener Diode	RSB6R8SM
D 1951	LED	NSSM124F-A21107
D 1952	LED	NSSM124F-A21107
D 1953	LED	NSSM124F-A21107

R 1960		XRS1/10SR332J
R 1961		XRS1/10SR152J
R 1962		XRS1/10SR332J
R 1963		XRS1/10SR152J
R 1964		XRS1/10SR332J
R 1965		XRS1/10SR152J
R 1966		XRS1/10SR680J
R 1967		XRS1/10SR680J
R 1968		XRS1/10SR680J
R 1969		XRS1/10SR221J
R 1970		XRS1/10SR121J
R 1971		XRS1/10SR121J

CAPACITORS

D 1954	LED	NSSM124F-A21107
D 1955	LED	NSSM124F-A21107
S 1821	Push Switch	CSG1155
S 1822	Push Switch	CSG1155
S 1823	Push Switch	CSG1155
S 1824	Push Switch	CSG1155
S 1825	Push Switch	CSG1155
S 1826	Push Switch	CSG1155
S 1827	Push Switch	CSG1155
S 1828	Push Switch	CSG1155
S 1829	Push Switch	CSG1155
S 1830	Push Switch	CSG1155
S 1831	Push Switch	CSG1155

C 1801		CKSRYX105K16
C 1851	(A,B,D,E)	CKSQYX106K10
C 1901		CCSRCH471J50
C 1904		CKSRYX475K10
C 1921	1 000 pF	CCG1345
C 1922	1 000 pF	CCG1345

C

Unit Number: CWX4269

Unit Name : CD Core Unit(11.6VA_T07)

MISCELLANEOUS

<u>Circuit Symbol and No.</u>		<u>Part No.</u>	<u>Circuit Symbol and No.</u>		<u>Part No.</u>
IC 201	Mask UC IC	PEQ094A	C 214		CKSSYB473K16
IC 301	Driver IC	BD8223EFV	C 215		CKSSYB104K10
Q 101	Transistor	2SAR502UB	C 216		CKSSYB152K50
Q 102	Chip Digital Transistor	LTA123JUB	C 217		CCSSCH390J50
X 201	Ceramic Resonator 16.934 MHz	CSS1603	C 218		CCSSCH5R0C50

S 901	Lever Switch(HOME)	CSN1090	C 219		CKSSYB104K10
S 903	Spring Switch(DSCSNS)	CSN1081	C 220		CKSSYB104K10
CN101	Connector	CKS4808	C 221		CKSSYB104K10
CN701	Connector	CKS6146	C 222		CKSSYB104K10
			C 223		CCSSCH680J50

RESISTORS

R 101		RS1/10SR2R4J	C 224		CCSSCH470J50
R 102		RS1/10SR2R4J	C 225		CKSSYB103K16
R 103		RS1/10SR2R7J	C 228		CCSSCH180J50
R 108		RS1/16SS105J	C 229		CKSSYB104K10
R 109		RS1/16SS152J	C 233		CKSSYB103K16

R 214		RS1/16SS103J	C 236		CKSSYB104K10
R 215		RS1/16SS393J	C 238		CKSRYB104K16
R 216		RS1/16SS102J	C 299		CKSSYB104K10
R 217		RS1/16SS562J	C 302		CKSSYB102K50
R 218		RS1/16SS472J	C 303		CKSSYB102K50

R 229		RS1/16SS471J	C 304		CKSSYB223K16
R 232		RS1/16SS0R0J	C 305		CKSSYB104K10
R 237		RS1/16SS221J	C 306		CKSSYB104K10
R 240		RS1/16SS473J	C 307		CKSRYB105K10
R 245		RS1/16SS104J	C 308		CKSRYB105K10

R 254		RS1/16SS104J	C 710		CKSSYB102K50
R 260		RS1/16SS103J			
R 264		RS1/16SS102J			
R 281		RS1/16SS560J			
R 282		RS1/16SS560J			

R 291		RS1/16SS560J			
R 294		RS1/16SS471J			
R 303		RS1/16SS123J			
R 304		RS1/16SS123J			
R 305		RS1/16SS102J			

R 306		RS1/16SS472J			
R 307		RS1/16SS102J			
R 308		RS1/16SS472J			
R 309		RS1/16SS473J			
R 310		RS1/16SS472J			

R 311		RS1/16SS472J			
R 312		RS1/16SS472J			
R 313		RS1/16SS472J			
R 701		RS1/16SS101J			
R 702		RS1/16SS101J			

R 706		RS1/16SS221J			
-------	--	--------------	--	--	--

CAPACITORS

C 104		CKSQYB475K6R3			
C 110		CKSSYB104K10			
C 111		CKSSYB103K16			
C 203		CKSSYB104K10			
C 205		CKSRYB105K10			

C 209		CKSRYB104K16	R 214		RS1/16SS103J
C 210		CKSSYB104K10	R 215		RS1/16SS393J
C 211		CKSSYB104K10	R 216		RS1/16SS122J
C 212		CKSSYB104K10	R 217		RS1/16SS562J
C 213		CKSSYB332K50	R 218		RS1/16SS472J

D

Unit Number: CWX4023

Unit Name : CD Core Unit(S11.6STD)

MISCELLANEOUS

IC 201	Mask UC IC	PE5791A
IC 301	Driver IC	BD8223EFV
Q 101	Transistor	2SAR502UB
Q 102	Chip Digital Transistor	LTA123JUB
X 201	Ceramic Resonator 16.934 MHz	CSS1603

S 901	Lever Switch(HOME)	CSN1090
S 903	Spring Switch(DSCSNS)	CSN1081
CN101	Connector	CKS4808
CN701	Connector	CKS6146

RESISTORS

R 101		RS1/10SR2R4J
R 102		RS1/10SR2R4J
R 103		RS1/10SR2R7J
R 108		RS1/16SS105J
R 109		RS1/16SS222J

R 214		RS1/16SS103J
R 215		RS1/16SS393J
R 216		RS1/16SS122J
R 217		RS1/16SS562J
R 218		RS1/16SS472J

R 229		RS1/16SS471J
R 232		RS1/16SS0R0J
R 237		RS1/16SS221J
R 240		RS1/16SS473J
R 245		RS1/16SS104J

Circuit Symbol and No.**Part No.**

R 254
R 260
R 264
R 281
R 282

RS1/16SS104J
RS1/16SS103J
RS1/16SS102J
RS1/16SS560J
RS1/16SS560J

R 291
R 294
R 303
R 304
R 305

RS1/16SS560J
RS1/16SS471J
RS1/16SS123J
RS1/16SS123J
RS1/16SS102J

R 306
R 307
R 308
R 309
R 310

RS1/16SS472J
RS1/16SS102J
RS1/16SS472J
RS1/16SS473J
RS1/16SS472J

R 311
R 312
R 313
R 701
R 702

RS1/16SS472J
RS1/16SS472J
RS1/16SS472J
RS1/16SS101J
RS1/16SS101J

R 706

RS1/16SS221J

CAPACITORS

C 104
C 203
C 209
C 210
C 211

CKSQYB475K6R3
CKSSYB104K10
CKSRYB104K16
CKSSYB104K10
CKSSYB104K10

C 212
C 213
C 214
C 215
C 216

CKSSYB104K10
CKSSYB332K50
CKSSYB473K16
CKSSYB104K10
CKSSYB182K50

C 217
C 218
C 219
C 220
C 221

CCSSCH560J50
CCSSCH4R0C50
CKSSYB104K10
CKSSYB104K10
CKSSYB104K10

C 222
C 223
C 224
C 225
C 228

CKSSYB104K10
CCSSCH680J50
CCSSCH470J50
CKSSYB103K16
CCSSCH270J50

C 229
C 233
C 236
C 238
C 299

CKSSYB104K10
CKSSYB103K16
CKSSYB104K10
CKSRYB104K16
CKSSYB104K10

C 302
C 303
C 304
C 305
C 306

CKSSYB102K50
CKSSYB102K50
CKSSYB223K16
CKSSYB104K10
CKSSYB104K10

C 307
C 308
C 710

CKSRYB105K10
CKSRYB105K10
CKSSYB102K50