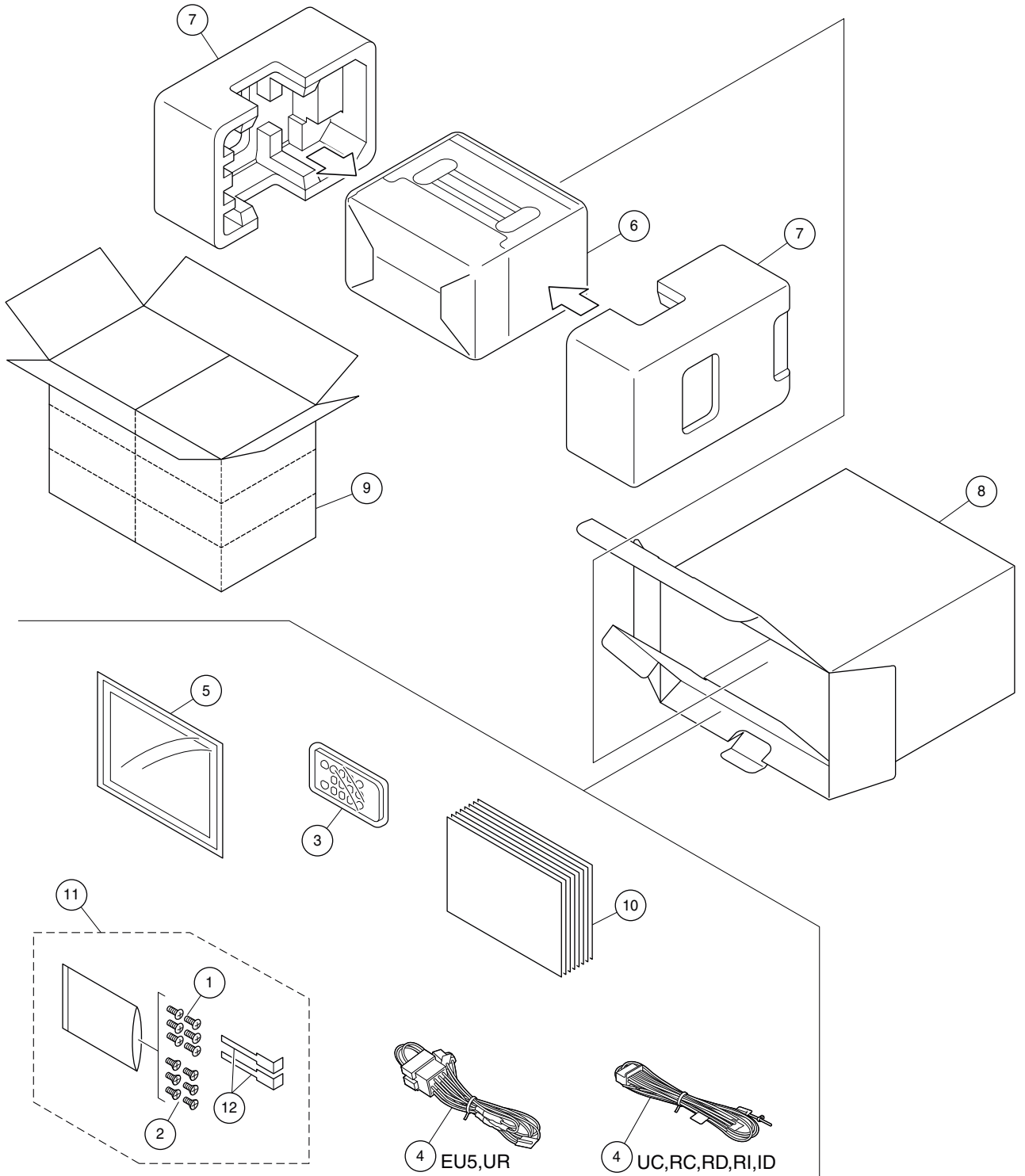


9. EXPLODED VIEWS AND PARTS LIST

- NOTES :
- Parts marked by "*" are generally unavailable because they are not in our Master Spare Parts List.
 - The Δ mark found on some component parts indicates the importance of the safety factor of the part. Therefore, when replacing, be sure to use parts of identical designation.
 - Screw adjacent to ∇ mark on the product are used for disassembly.
 - For the applying amount of lubricants or glue, follow the instructions in this manual.
(In the case of no amount instructions, apply as you think it appropriate.)

9.1 PACKING

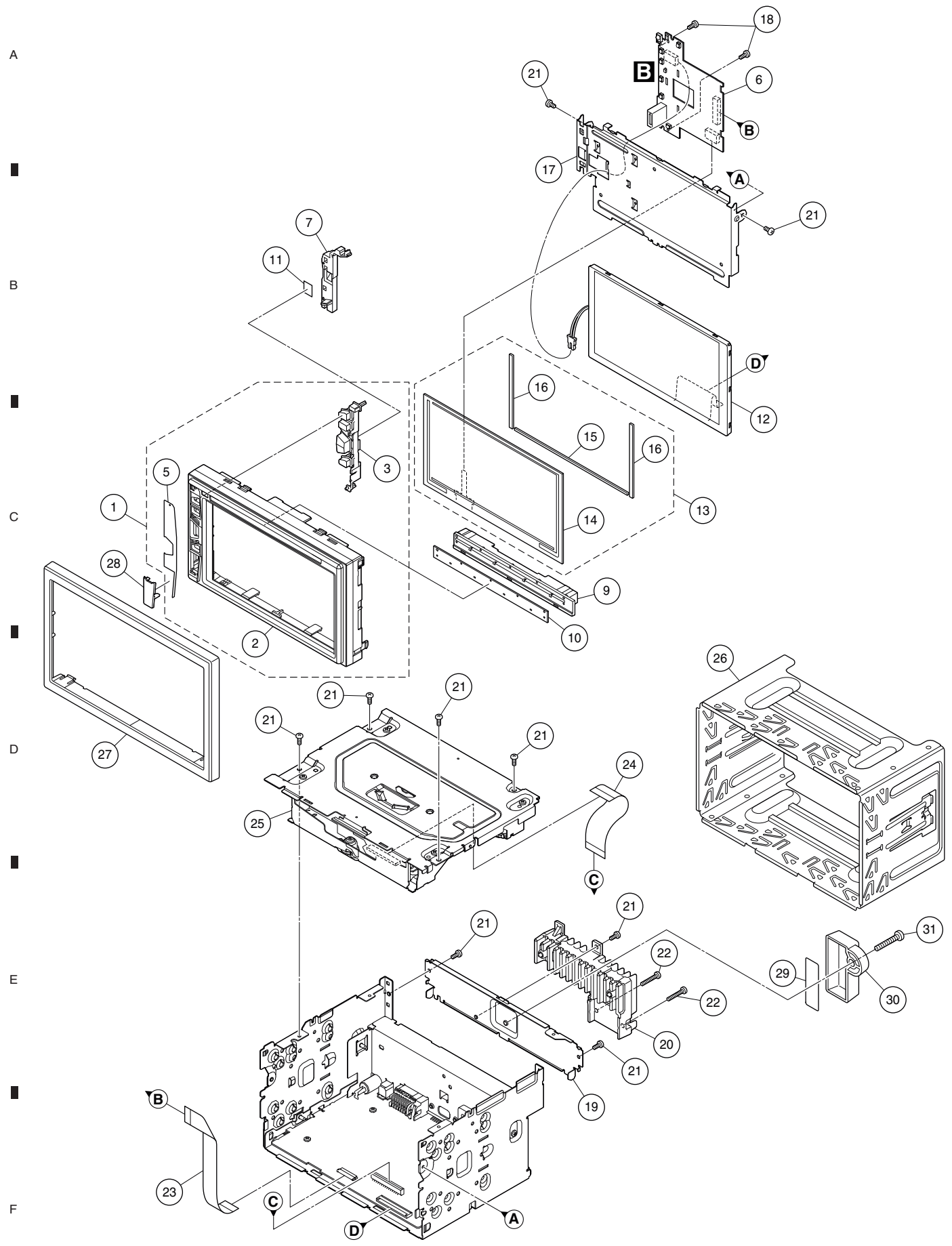


PACKING SECTION PARTS LIST

Mark	No.	Description	AVH-110BT/ XNUC	AVH-G210BT/ XNEU5	AVH-G210BT/ XNUR	AVH-G215BT/ XNRC	
A	1	Screw (M5 x 9)	CBA2384	Not used	CBA2384	CBA2384	
	2	Screw (M5 x 9)	CBA2383	CBA2383	Not used	Not used	
	3	Card Remote Control Unit	Not used	Not used	Not used	CXE9605	
	4	Cord Assy	CDP1837	CDP1697	CDP1697	CDP1837	
	5	Panel	Not used	Not used	Not used	Not used	
	6	Cover	CEG1359	CEG1356	CEG1356	CEG1356	
	7	Protector	CHP5517	CHP5547	CHP5547	CHP5517	
	8	Unit Box	QHG4315	QHG4313	QHG4313	QHG4316	
	9	Contain Box	QHL4315	QHL4313	QHL4314	QHL4316	
	10-1	Owner's Manual	QRD3620	See Contents of Web IM	QRB3796	See Contents of Web IM	
	B	* 10-2	Warranty Card	QRY3001	CRY1376	CRY1376	Not used
		10-3	Quick Start Guide	QRD3663	QRD3604	Not used	QRD3613
10-4		Installation Manual	Not used	QRD3612	Not used	Not used	
* 10-5		Caution Card	CRP1386	Not used	Not used	Not used	
11		Accessory Assy	*CEC7756	QEA3671	CEW3027	*CEC7757	
12		Handle	Not used	CND7909	CND7909	Not used	

Mark	No.	Description	AVH-G215BT/ XNRD	AVH-G215BT/ XNRI	AVH-G219BT/ XNID	
C	1	Screw (M5 x 9)	CBA2384	CBA2384	CBA2384	
	2	Screw (M5 x 9)	Not used	Not used	Not used	
	3	Card Remote Control Unit	Not used	CXE9605	CXE9605	
	4	Cord Assy	CDP1837	CDP1837	CDP1837	
	5	Panel	Not used	Not used	CNS9475	
	6	Cover	CEG1356	CEG1356	CEG1356	
	7	Protector	CHP5517	CHP5547	CHP5517	
	8	Unit Box	QHG4317	QHG4320	QHG4318	
	9	Contain Box	QHL4317	QHL4320	QHL4318	
	10-1	Owner's Manual	See Contents of Web IM	See Contents of Web IM	See Contents of Web IM	
	D	* 10-2	Warranty Card	Not used	Not used	CRY1304
		10-3	Quick Start Guide	QRD3614	QRD3615	QRB3793
10-4		Installation Manual	Not used	Not used	Not used	
* 10-5		Caution Card	Not used	Not used	Not used	
11		Accessory Assy	*CEC7757	CEW3027	*CEC7757	
12		Handle	Not used	CND7909	Not used	

9.2 EXTERIOR (1)



(1) EXTERIOR (1) SECTION PARTS LIST

<u>Mark No.</u>	<u>Description</u>	<u>Part No.</u>	<u>Mark No.</u>	<u>Description</u>	<u>Part No.</u>
1	Grille Assy	See Contrast table (2)	16	Cushion	CNN4964
*	2 Grille	See Contrast table (2)	17	Holder	QNC3178
*	3 Button (VOL)	QAC3321	18	Screw	BPZ20P080FTC
4	*****		19	Holder	See Contrast table (2)
*	5 Plate	QNM3240	20	Heat Sink	CNR2212
6	Monitor Key Unit	CWF2631	21	Screw	BSZ26P060FTC
7	Lighting Conductor	QNV3156	22	Screw	BSZ26P120FTC
8	*****		23	FFC	QDE3046
9	Holder	CNW3806	24	FFC	CDD1251
10	Cover	CNN4865	25	DVD Mechanism Module (LS2.5BAREVE)	CXK8300
11	Sheet	QNM3251			
12	Inspected TFT LCD Unit	QWX3009	26	Holder	See Contrast table (2)
	Non-inspected TFT LCD Unit	QWX3010	27	Panel	See Contrast table (2)
13	Touch Panel Unit	QXA5834	28	Cap	QNS4302
14	Touch Panel	CSX1382	* 29	Seal	See Contrast table (2)
15	Cushion	CNN4273	30	Holder	See Contrast table (2)
			31	Screw	See Contrast table (2)

(2) CONTRAST TABLE

AVH-110BT/XNUC, AVH-G210BT/XNEU5, AVH-G210BT/XNUR, AVH-G215BT/XNRC, AVH-G215BT/XNRD, AVH-G215BT/XNRI and AVH-G219BT/XNID are constructed the same except for the following:

Mark	No.	Description	AVH-110BT/ XNUC	AVH-G210BT/ XNEU5	AVH-G210BT/ XNUR	AVH-G215BT/ XNRC
*	1	Grille Assy	QXA5575	QXA5573	QXA5573	QXA5570
	2	Grille	QNS4305	QNS4303	QNS4303	QNS4300
	19	Holder	CND7862	CND7862	CND7862	CND7862
	26	Holder	Not used	CND7859	CND7859	Not used
	27	Panel	Not used	CNU2645	CNU2645	Not used
*	29	Seal	CAN3984	Not used	Not used	Not used
	30	Holder	CNV7619	Not used	Not used	Not used
	31	Screw	BMZ40P140FTC	Not used	Not used	Not used

Mark	No.	Description	AVH-G215BT/ XNRD	AVH-G215BT/ XNRI	AVH-G219BT/ XNID
*	1	Grille Assy	QXA5570	QXA5570	QXA5578
	2	Grille	QNS4300	QNS4300	QNS4308
	19	Holder	CND7862	CND7862	CND7863
	26	Holder	Not used	CND7859	Not used
	27	Panel	Not used	CNU2645	Not used
*	29	Seal	Not used	Not used	Not used
	30	Holder	Not used	Not used	Not used
	31	Screw	Not used	Not used	Not used

9.3 EXTERIOR (2)

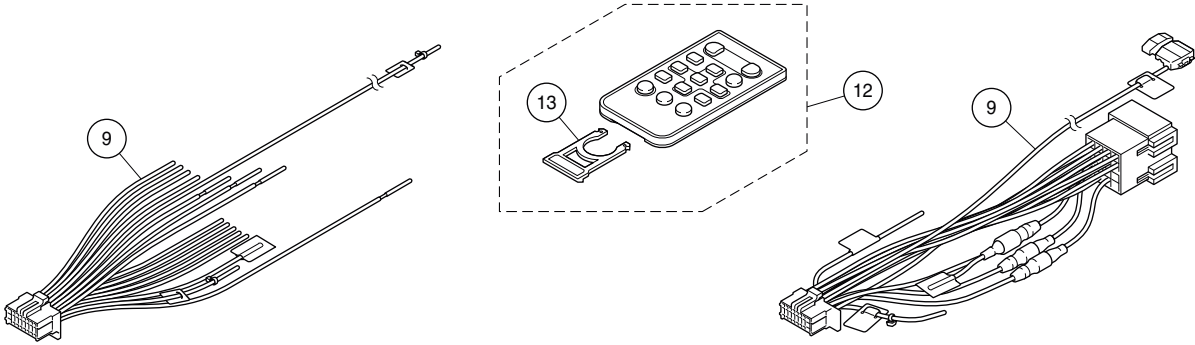
1

2

3

4

A

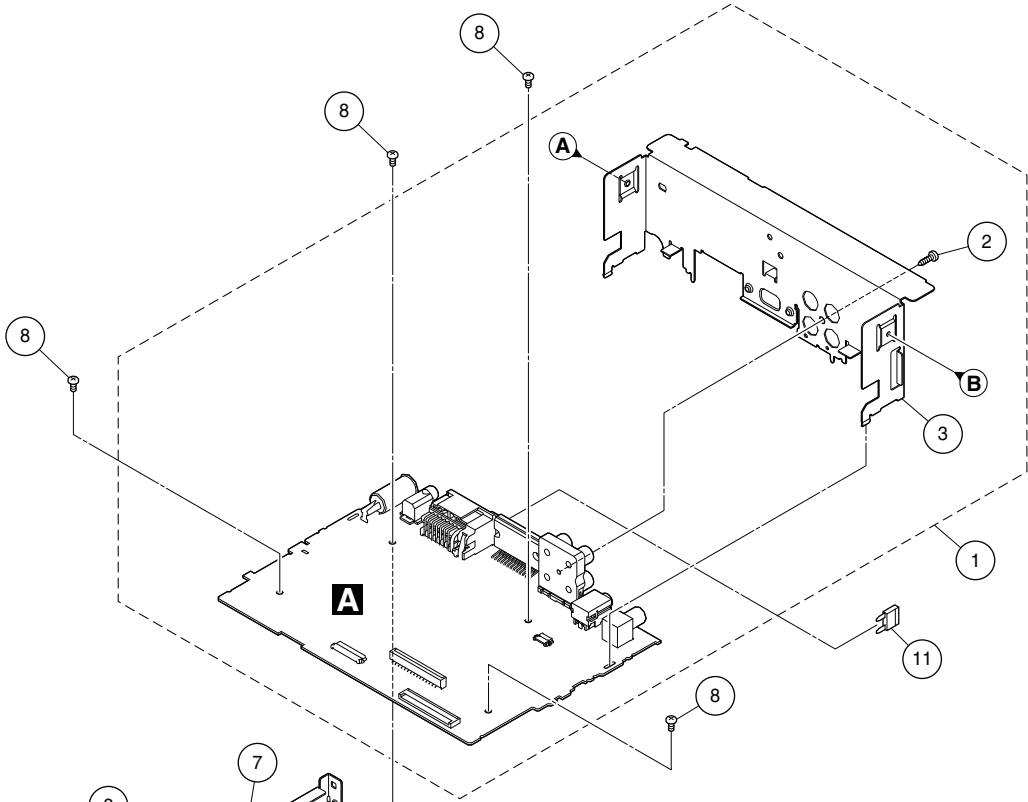


UC, RC, RD, RI, ID

EU5,UR

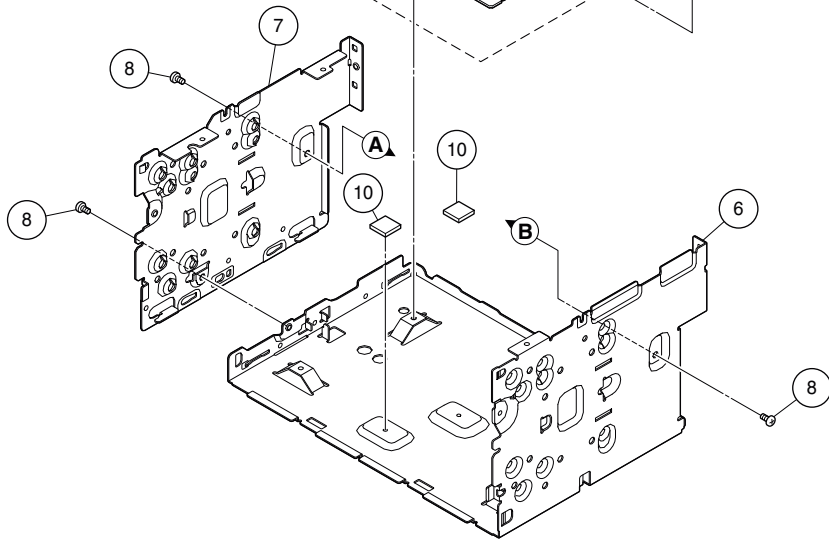
B

C



D

E



F

1

2

3

4

(1) EXTERIOR (2) SECTION PARTS LIST

<u>Mark No.</u>	<u>Description</u>	<u>Part No.</u>	<u>Mark No.</u>	<u>Description</u>	<u>Part No.</u>
1	Mother Unit	See Contrast table (2)	8	Screw	BSZ26P060FTC
2	Screw	BPZ26P080FTC	9	Cord Assy	See Contrast table (2)
3	Holder	QNC3174	10	Heat Conduction Sheet	CNN5528
4				
5		⚠ 11	Fuse (10 A)	CEK1415
			12	Card Remote Control Unit	See Contrast table (2)
6	Chassis	QNC3177	13	Cover	See Contrast table (2)
7	Bracket	CND7900			

(2) CONTRAST TABLE

AVH-110BT/XNUC, AVH-G210BT/XNEU5, AVH-G210BT/XNUR, AVH-G215BT/XNRC, AVH-G215BT/XNRD, AVH-G215BT/XNRI and AVH-G219BT/XNID are constructed the same except for the following:

Mark	No.	Description	AVH-110BT/ XNUC	AVH-G210BT/ XNEU5	AVH-G210BT/ XNUR	AVH-G215BT/ XNRC
	1	Mother Unit	CWF2608	CWF2606	CWF2605	CWF2600
	9	Cord Assy	CDP1837	CDP1697	CDP1697	CDP1837
	12	Card Remote Control Unit	Not used	Not used	Not used	CXE9605
	13	Cover	Not used	Not used	Not used	CNU3681

Mark	No.	Description	AVH-G215BT/ XNRD	AVH-G215BT/ XNRI	AVH-G219BT/ XNID
	1	Mother Unit	CWF2601	CWF2602	CWF2603
	9	Cord Assy	CDP1837	CDP1837	CDP1837
	12	Card Remote Control Unit	Not used	CXE9605	CXE9605
	13	Cover	Not used	CNU3681	CNU3681

9.4 DVD MECHANISM MODULE (1)

1

2

3

4

A

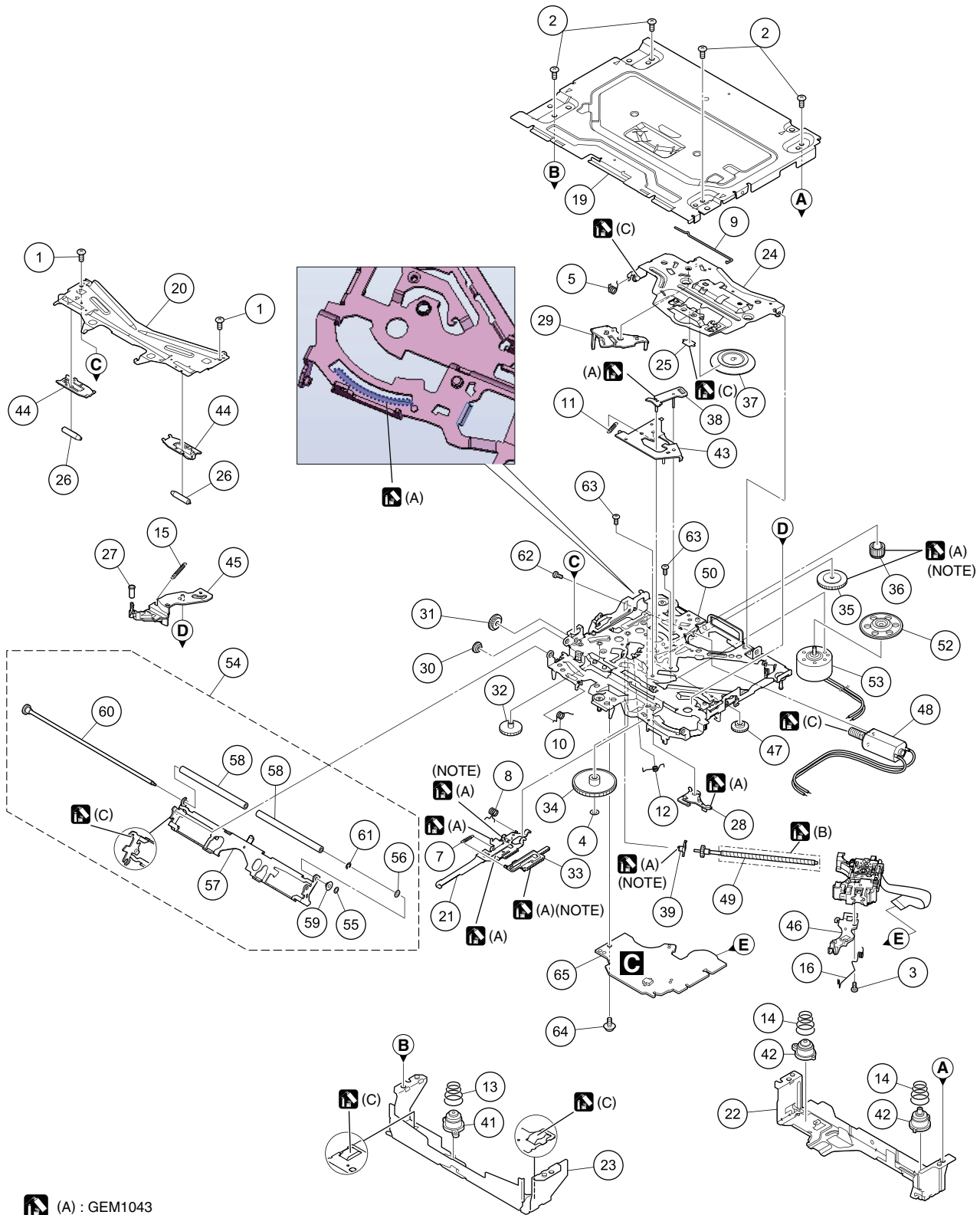
B

C

D

E

F



- (A) : GEM1043
- (B) : GEM1045
- (C) : GEM1024

(NOTE) Apply grease to the whole part.

1

2

3

4

DVD MECHANISM MODULE (1) SECTION PARTS LIST

<u>Mark No.</u>	<u>Description</u>	<u>Part No.</u>	<u>Mark No.</u>	<u>Description</u>	<u>Part No.</u>
1	Screw	BSZ20P040FTC	50	Chassis Unit	CXF1980
2	Screw	BSZ26P060FTC			
3	Screw (M2 x 4)	CBA1835	51	*****	
4	Washer	CBF1038	*	52 Support Wheel	CNW2052
5	Spring	CBH2855	*	53 Spindle Motor	EXM5003
				54 Arm Assy	CXF1981
6	*****			55 Washer	CBF1037
7	Spring	CBH3010			
8	Spring	CBH3011	56	Washer	CBF1038
9	Spring	CBH3014	57	Arm	CND8039
10	Spring	CBH3015	58	Roller	CNW2500
			59	Collar	CNW2444
11	Spring	CBH3016	60	Gear Unit	CXE8952
12	Spring	CBH3017			
13	Spring	CBH3018	61	E Ring	YE15FTC
14	Spring	CBH3019	62	Screw	JFZ20P025FTC
15	Coil Spring	CBH3095	63	Screw	JGZ17P020FTC
			64	Screw (M2 x 5)	EBA1028
16	Torsion Spring	CBH3096	*	65 Relay Unit (LS2.5BAEVE)	CWX4952
17	*****				
18	*****				
19	Case	CNB4062	<div style="border: 1px solid black; padding: 5px;"> Pickup, Spindle Motor and Support Wheel are not available as service parts, because they need adjustment by special equipment after replacing. </div>		
20	Bracket	CND8007			
21	Lever	CND7225			
22	Bracket	CND8006			
23	Bracket	CND8005			
24	Arm	CND7224			
25	Sheet	CNN3678			
26	Roller	CNW1172			
27	Roller	CNW1175			
28	Arm	CNW1177			
29	Arm	CNW4016			
30	Gear	CNW1180			
31	Gear	CNW1181			
32	Gear	CNW1183			
33	Rack	CNW1184			
34	Gear	CNW1185			
35	Gear	CNW1186			
36	Gear	CNW1187			
37	Clamper	CNW1190			
38	Arm	CNW1192			
39	Holder	CNW1193			
40	*****				
41	Damper	CNW4030			
42	Damper	CNW4031			
43	Arm	CNW1726			
44	Holder	CNW4002			
45	Arm	CNW2241			
46	Rack	CNW2265			
47	Gear	CNW2287			
48	Motor Unit	CXF1847			
49	Screw Unit	CXC8894			

12. ELECTRICAL PARTS LIST

NOTE:

- Parts whose parts numbers are omitted are subject to being not supplied.
- The part numbers shown below indicate chip components.

Chip Resistor

RS1/○S○○○J,RS1/○○S○○○J

Chip Capacitor (except for CQS.....)

CKS....., CCS....., CSZS.....

- Parts marked by " * " are generally unavailable because they are not in our Master Spare Parts List.
- The \triangle mark found on some component parts indicates the importance of the safety factor of the part. Therefore, when replacing, be sure to use parts of identical designation.
- The expression of the unit in this manual is shown by *u* instead of μ . Please do not make a mistake.

<u>Circuit Symbol and No.</u>	<u>Part No.</u>	<u>Circuit Symbol and No.</u>	<u>Part No.</u>
A: AVH-110BT/XNUC		MISCELLANEOUS	
B: AVH-G210BT/XNEU5		IC 111 Logic IC	TC7SH32FUS2
C: AVH-G210BT/XNUR		IC 201 DC/DC CONV IC	KBD9876EFJ
D: AVH-G215BT/XNRC		IC 202 Power Supply IC	BD2232G-G
E: AVH-G215BT/XNRD		IC 301 DC/DC CONV IC	KBD9876EFJ
F: AVH-G215BT/XNRI		IC 501 Regulator IC	NJW4181U3-33B
G: AVH-G219BT/XNID			
Unit Number: CWF2608 (A)		IC 511 Regulator IC	XC6701B902MR-G
Unit Number: CWF2606 (B)		IC 531 Regulator IC	S-19243E50H-V5
Unit Number: CWF2605 (C)		IC 541 Regulator IC	MM3479A33P
Unit Number: CWF2600 (D)		IC 551 Regulator IC	MM3479A13P
Unit Number: CWF2601 (E)		IC 561 Regulator IC	S-1333B33-M5
Unit Number: CWF2602 (F)		*IC 701 Flash Blank UC IC	MN103LFA5RXW
Unit Number: CWF2603 (G)		IC 702 Flash Memory IC	W25Q16JVSSIQ
Unit Name: Mother Unit		*IC 1011 Flash ROM Unit	CVQ1155
Unit Number: CWF2631		IC 1041 Disc PRO SYS LSI	SPHE8288TQ-HLEK8
Unit Name: Monitor Key Unit		IC 1151 RAM IC	W9812G6KH-6
Unit Number: NSP			
Unit Name: Relay Unit		IC 1301 IC	BA5839FP
A		IC 1701 DC/DC CONV IC	R1294L103A
Unit Number: CWF2608 (A)		IC 2011 CONV IC	WM8761BGED
Unit Number: CWF2606 (B)		IC 2031 OP AMP IC	NJM8065RB1
Unit Number: CWF2605 (C)		IC 2032 OP AMP IC	NJM8065RB1
Unit Number: CWF2600 (D)		IC 2033 OP AMP IC	NJM8065RB1
Unit Number: CWF2601 (E)		IC 2101 OP AMP IC	NJM8065RB1
Unit Number: CWF2602 (F)		IC 8401 Tuner IC	TEF6686AHN
Unit Number: CWF2603 (G)		IC 9201 Power AMP IC	TCB501HQ
Unit Name: Mother Unit		Q 21 Bipolar TR	HN1C01FUS1
		Q 31 Resistor Built-IN TR	LTC014EEB
		Q 41 Bipolar TR	LSCR523UB
		Q 51 Bipolar TR	LSAR523UB
		Q 111 Resistor Built-IN TR	LTC043ZEB
		Q 112 Resistor Built-IN TR	RN4987S1
		Q 113 Bipolar TR	LSCR523UB
		Q 701 Transistor	IMX25
		Q 702 Transistor	UMF5N
		Q 703 Transistor	UMF5N
		Q 1201 Transistor	2SAR293PGZE
		Q 1202 Bipolar TR	LSCR523UB
		Q 1203 Bipolar TR	LSCR523UB
		Q 1251 Transistor	2SAR293PGZE
		Q 1252 Bipolar TR	LSCR523UB
		Q 1253 Bipolar TR	LSCR523UB
		Q 1401 Transistor	EMH53
		Q 1402 Transistor	EMH53

5		6		7		8	
<u>Circuit Symbol and No.</u>		<u>Part No.</u>		<u>Circuit Symbol and No.</u>		<u>Part No.</u>	
Q	1601	Bipolar TR(D,E,F,G)	EMD53	L	1025	Chip Beads	VTL1126
Q	1602	Bipolar TR(D,E,F,G)	EMD53	L	1026	Inductor	CTF1786
Q	1603	Bipolar TR(D,E,F,G)	EMD53	L	1151	Inductor	CTF1786
Q	1604	Bipolar TR(D,E,F,G)	EMD53	L	1401	Chip Beads	VTL1126
Q	1701	Resistor Built-IN TR	LTC024EEB	L	1402	Chip Beads	VTL1126
Q	1702	Bipolar TR	LSAR523UB	L	1403	Chip Beads	VTL1126
Q	1801	Bipolar TR	LSAR523UB	L	1404	Chip Beads	VTL1126
Q	1802	Bipolar TR	LSCR523UB	L	1431	Chip Beads	VTL1126
Q	2001	Bipolar TR	LSCR523UB	L	1434	Chip Beads	VTL1126
D	1	Diode	D1F60-5053	L	1435	Chip Beads	VTL1126
D	2	Diode	D1F60-5053	L	1436	Chip Beads	VTL1126
D	11	Schottky Diode	RB080LAM-30TF	L	1438	Chip Beads	VTL1126
D	21	Zener Diode	UDZV6R2(B)	L	1610	Chip Beads	VTL1126
D	22	Zener Diode	UDZV6R8(B)	L	1611	Chip Beads	VTL1126
D	31	Switching Diode	1SS355VM	L	1701	SMD SPL Inductor	CTH1650
D	51	Switching Diode	1SS355VM	L	1801	Inductor	CTF1765
D	111	Switching Diode	1SS355VM	L	8401	SMD Ferrite Beads	CTF1893
D	112	Zener Diode	UDZV9R1(B)	L	8403	Inductor	LCYC150K1608
D	113	Rectifier Diode	DAN202UM	L	8405	Inductor	LCMAR27J1608
D	201	Schottky Diode	RB056LAM-40TF	L	8409	Inductor	CTF1389
D	301	Schottky Diode	RB162MM-40TF	L	8417	Inductor	LCMAR22J1608
D	541	Rectifier Diode	RR264MM-400TF	X	701	Crystal Resonator 12.500 MHz	CSS1903
D	551	Rectifier Diode	RR264MM-400TF	X	1041	Crystal Resonator 27 MHz	CSS1904
D	552	Rectifier Diode	RR264MM-400TF	X	8401	Crystal Resonator 9.216 MHz	CSS1888
D	553	Rectifier Diode	RR264MM-400TF	⚠ P301	Fuse 3.0 A	CEK1404	C
D	561	Rectifier Diode	RR264MM-400TF	⚠ P1401	Poly Switch	FSMD075-24R	
D	701	Switching Diode	1SS355VM	⚠ P1433	Poly Switch	FSMD075-24R	
D	1130	Switching Diode	1SS355VM	P 8435	Surge Absorber	IMSA-6803-01Y900	
D	1431	Diode	RSB18V	CN 1351	Connector	CKS3871	D
D	1436	Diode	RSB18V	CN 1481	FFC/FPC Connector	CKS6644	
D	1601	Schottky Diode	RB751SM-40	CN 1801	FFC/FPC Connector	CKS6807	
D	1602	Schottky Diode	RB751SM-40	JA 1	Connector	CKM1613	
D	1701	Schottky Diode	RB551VM-30	JA 1401	Jack	CKB1109	
D	1702	Diode	RB548W	JA 1431	RCA Jack	CKB1106	D
D	1703	Diode	RB548W	JA 1432	3.5 DIA Jack	CKN1106	
D	1704	Diode	RB548W	JA 1601	3.5 DIA Jack	CKS6437	
D	8435	Diode	EZAEG2A50AX	JA 8435	Antenna Jack	CKX1104	
L	2	Choke Coil 120 uH	CTH1636	U 901	BT Module	CWX4942	
L	201	SMD SPL Inductor	CTH1519	<u>RESISTORS</u>			
L	301	SMD SPL Inductor	CTH1584				
L	1001	Chip Beads	VTL1133				
L	1002	Chip Beads	VTL1126				
L	1003	Chip Beads	VTL1126				
L	1004	Chip Beads	VTL1126				
L	1008	Chip Beads	VTL1126				
L	1009	Chip Beads	VTL1126				
L	1010	Chip Beads	VTL1126				
L	1012	Chip Beads	VTL1126				
L	1013	Chip Beads	VTL1126	R 21		RS1/16SS103J	E
L	1014	Chip Beads	VTL1126	R 22		RS1/16SS473J	
L	1015	Chip Beads	VTL1126	R 23		RS1/16SS472J	
L	1016	Chip Beads	VTL1126	R 24		RS1/16SS104J	
L	1017	Chip Beads	VTL1126	R 25		RS1/16SS473J	
L	1018	Chip Beads	VTL1126	R 26	1 kohm	CCN1326	
L	1019	Chip Beads	VTL1126	R 31		RS1/16SS103J	
L	1020	Chip Beads	VTL1126	R 32		RS1/16SS472J	
L	1021	Inductor	CTF1786	R 33	1 kohm	CCN1326	
L	1022	Chip Beads	VTL1126	R 41		RS1/16SS102J	
L	1023	Chip Beads	VTL1126	R 44		RS1/16SS561J	F
L	1024	Chip Beads	VTL1126	R 45	3.9 kohm	CCN1352	
				R 51		RS1/16SS102J	
				R 52		RS1/16SS473J	
				R 53		RS1/16SS223J	
				R 54		RS1/16SS103J	
				R 102		RS1/16SS103J	
				R 113		RS1/16SS123J	
				R 114		RS1/16SS103J	
				R 115		RS1/16SS221J	

	1	2	3	4
	<u>Circuit Symbol and No.</u>	<u>Part No.</u>	<u>Circuit Symbol and No.</u>	<u>Part No.</u>
	R 117	RS1/4SA102J	R 757 (B,C,F,G)	RS1/16SS104J
	R 124	RS1/16SS104J	R 758 (C,E,G)	RS1/16SS104J
A	R 125	RS1/16SS473J	R 759 (B,D,F)	RS1/16SS104J
	R 126	RS1/16SS473J	R 760	RS1/16SS104J
	R 202	RS1/16SS1803D	R 762 (F,G)	RS1/16SS104J
	R 203	RS1/16SS4302D	R 763 (A,B,C,D,E)	RS1/16SS104J
	R 204	RS1/16SS432J	R 764	RS1/16SS473J
	R 208	RS1/8SQ331J	R 765	RS1/16SS473J
	R 301	RS1/16SS3301D	R 766	RS1/16SS101J
	R 302	RS1/16SS8202D	R 767	RS1/16SS473J
	R 303	RS1/16SS1202D	R 768	RS1/16SS473J
	R 304	RS1/16SS153J	R 769	RS1/16SS473J
	R 308	RS1/4S561J	R 770	RS1/16SS102J
B	R 310	RS1/16SS0R0J	R 771	RS1/16SS102J
	R 311	RS1/16SS0R0J	R 772	RS1/16SS222J
	R 515	RS1/16SS104J	R 773	RS1/16SS222J
	R 541	RS1/10SR0R0J	R 774	RS1/16SS103J
	R 543	RS1/10SR0R0J	R 775	RS1/16SS103J
	R 544	RS1/10SR0R0J	R 776	RS1/16SS103J
	R 545	RS1/10SR0R0J	R 777	RS1/16SS103J
	R 546	RS1/10SR0R0J	R 778	RS1/16SS105J
	R 549	RS1/16SS0R0J	R 779	RS1/16SS105J
	R 561	RS1/10SR0R0J	R 780	RS1/16SS473J
	R 565	RS1/16SS104J	R 782	RS1/16SS473J
C	R 614	RS1/10SR0R0J	R 784	RS1/16SS104J
	R 702	RS1/16SS104J	R 791	RS1/16SS101J
	R 706	RS1/16SS473J	R 792	RS1/16SS101J
	R 707	RS1/16SS101J	R 901	RS1/16SS511J
	R 708	RS1/16SS101J	R 902	RS1/16SS0R0J
	R 709	RS1/16SS473J	R 903	RS1/16SS103J
	R 710	RS1/16SS104J	R 904	RS1/16SS220J
	R 711	RS1/16SS1002D	R 905	RS1/16SS103J
	R 713	RS1/16SS471J	R 906	RS1/16SS0R0J
	R 714	RS1/16SS471J	R 907	RS1/16SS104J
D	R 715	RS1/16SS472J	R 908	RS1/16SS0R0J
	R 716	RS1/16SS472J	R 1011	RS1/16SS470J
	R 721	RS1/16SS0R0J	R 1012	RS1/16SS470J
	R 722	RS1/16SS102J	R 1013	RS1/16SS473J
	R 724	RS1/16SS473J	R 1014	RS1/16SS473J
	R 726	RS1/16SS102J	R 1015	RS1/16SS473J
	R 727	RS1/16SS473J	R 1016	RS1/16SS0R0J
	R 728	RS1/16SS104J	R 1017	RS1/16SS470J
	R 729	RS1/16SS101J	R 1033	RS1/16SS105J
	R 730	RS1/16SS473J	R 1034	RS1/16SS105J
	R 731	RS1/16SS473J	R 1035	RS1/16SS223J
E	R 732	RS1/16SS102J	R 1036	RS1/16SS223J
	R 734	RS1/16SS473J	R 1037	RS1/16SS222J
	R 735	RS1/16SS101J	R 1038	RS1/16SS222J
	R 736	RS1/16SS101J	R 1039	RS1/16SS103J
	R 738	RS1/16SS561J	R 1040	RS1/16SS332J
	R 739	RS1/16SS473J	R 1047	RS1/16SS121J
	R 740	RS1/16SS473J	R 1048	RS1/16SS121J
	R 745	RS1/16SS471J	R 1049	RS1/16SS121J
	R 746	RS1/16SS101J	R 1050	RS1/16SS103J
	R 747	RS1/16SS822J	R 1051	RS1/16SS101J
F	R 748	RS1/16SS473J	R 1052	RS1/16SS103J
	R 749	RS1/16SS473J	R 1055	RS1/16SS105J
	R 750	RS1/16SS473J	R 1056	RS1/16SS0R0J
	R 753	RS1/16SS473J	R 1058	RS1/16SS121J
	R 756 (D,E)	RS1/16SS104J	R 1060	RS1/16SS101J

5		6		7		8	
<u>Circuit Symbol and No.</u>		<u>Part No.</u>		<u>Circuit Symbol and No.</u>		<u>Part No.</u>	
R	1061	RS1/16SS473J		R	1176	RS1/16SS330J	
R	1062	RS1/16SS913J		R	1177	RS1/16SS0R0J	
R	1063	RS1/16SS471J		R	1178	RS1/16SS0R0J	A
R	1064	RS1/16SS221J		R	1179	RS1/16SS0R0J	
R	1065	RS1/16SS473J		R	1180	RS1/16SS0R0J	
R	1066	RS1/16SS101J		R	1181	RS1/16SS0R0J	
R	1067	RS1/16SS473J		R	1182	RS1/16SS0R0J	
R	1068	RS1/16SS101J		R	1183	RS1/16SS0R0J	
R	1069	RS1/16SS102J		R	1184	RS1/16SS0R0J	
R	1070	RS1/16SS101J		R	1185	RS1/16SS0R0J	
R	1071	RS1/16SS221J		R	1186	RS1/16SS0R0J	
R	1072	RS1/16SS221J		R	1187	RS1/16SS0R0J	
R	1073	RS1/16SS473J		R	1189	RS1/10SR0R0J	
R	1075	RS1/16SS750J		R	1191	RS1/16SS272J	B
R	1078	RS1/16SS103J		R	1192	RS1/16SS272J	
R	1080	RS1/16SS221J		R	1193	RS1/16SS272J	
R	1081	RS1/16SS221J		R	1194	RS1/16SS272J	
R	1082	RS1/16SS103J		R	1201	RS1/16SS4300F	
R	1083	RS1/16SS101J		R	1202	RS1/16SS3R3J	
R	1085	RS1/16SS101J		R	1203	RS1/10SR3R3J	
R	1087	RS1/16SS101J		R	1204	RS1/10SR2R2J	
R	1088	RS1/16SS511J		R	1205	RS1/10SR2R2J	
R	1089	RS1/16SS101J		R	1206	RS1/10SR3R3J	
R	1091	RS1/16SS101J		R	1207	RS1/16SS104J	
R	1093	RS1/16SS101J		R	1208	RS1/16SS0R0J	C
R	1095	RS1/16SS101J		R	1209	RS1/16SS5600F	
R	1097	RS1/16SS101J		R	1210	RS1/16SS470J	
R	1099	RS1/16SS101J		R	1211	RS1/16SS101J	
R	1101	RS1/16SS101J		R	1212	RS1/16SS104J	
R	1103	RS1/16SS101J		R	1213	RS1/16SS103J	
R	1105	RS1/16SS101J		R	1214	RS1/16SS0R0J	
R	1107	RS1/16SS101J		R	1251	RS1/16SS4300F	
R	1109	RS1/16SS101J		R	1252	RS1/16SS3R3J	
R	1111	RS1/16SS101J		R	1253	RS1/10SR3R3J	
R	1114	RS1/16SS0R0J		R	1254	RS1/10SR1R8J	D
R	1151	RS1/16SS330J		R	1255	RS1/10SR1R8J	
R	1152	RS1/16SS330J		R	1256	RS1/10SR3R3J	
R	1153	RS1/16SS330J		R	1257	RS1/16SS0R0J	
R	1154	RS1/16SS330J		R	1258	RS1/16SS104J	
R	1155	RS1/16SS330J		R	1259	RS1/16SS470J	
R	1156	RS1/16SS330J		R	1260	RS1/16SS5100F	
R	1157	RS1/16SS330J		R	1261	RS1/16SS121J	
R	1158	RS1/16SS330J		R	1262	RS1/16SS104J	
R	1159	RS1/16SS0R0J		R	1263	RS1/16SS103J	
R	1160	RS1/16SS0R0J		R	1264	RS1/16SS0R0J	
R	1161	RS1/16SS0R0J		R	1301	RS1/16SS163J	E
R	1162	RS1/16SS0R0J		R	1302	RS1/16SS183J	
R	1163	RS1/16SS0R0J		R	1303	RS1/16SS822J	
R	1164	RS1/16SS0R0J		R	1304	RS1/16SS752J	
R	1165	RS1/16SS0R0J		R	1305	RS1/16SS221J	
R	1166	RS1/16SS0R0J		R	1306	RS1/16SS5102D	
R	1167	RS1/16SS0R0J		R	1307	RS1/16SS5102D	
R	1168	RS1/16SS0R0J		R	1308	RS1/8SQ1R0J	
R	1169	RS1/16SS330J		R	1309	RS1/16SS0R0J	
R	1170	RS1/16SS330J		R	1310	RS1/16SS0R0J	
R	1171	RS1/16SS330J		R	1311	RS1/16SS0R0J	F
R	1172	RS1/16SS330J		R	1312	RS1/16SS0R0J	
R	1173	RS1/16SS330J		R	1313	RS1/16SS473J	
R	1174	RS1/16SS330J		R	1314	RS1/16SS113J	
R	1175	RS1/16SS330J		R	1315	RS1/16SS473J	

	1	2	3	4
	<u>Circuit Symbol and No.</u>	<u>Part No.</u>	<u>Circuit Symbol and No.</u>	<u>Part No.</u>
	R 1316	RS1/16SS113J	R 1806	RS1/16SS473J
	R 1317	RS1/16SS221J	R 1807	RS1/16SS473J
A	R 1318	RS1/16SS3902D	R 1808	RS1/16SS473J
	R 1319	RS1/16SS3902D	R 1813	RS1/16SS153J
	R 1320	RS1/16SS0R0J	R 1815	RS1/16SS105J
	R 1321	RS1/16SS0R0J	R 1817	RS1/16SS153J
	R 1322	RS1/16SS0R0J	R 1818	RS1/16SS472J
	R 1323	RS1/16SS0R0J	R 1819	RS1/16SS101J
	R 1351	RS1/16SS561J	R 1820	RS1/16SS273J
	R 1352	RS1/16SS681J	R 1821	RS1/16SS474J
	R 1408	RS1/16SS223J	R 1831	RS1/16SS3R9J
	R 1409	RS1/16SS223J	R 1832	RS1/16SS270J
	R 1410	RS1/16SS223J	R 1833	RS1/16SS221J
B	R 1411	RS1/16SS223J	R 1834	RS1/16SS750J
	R 1420	RS1/16SS821J	R 1835	RS1/16SS560J
	R 1421	RS1/16SS821J	R 1837	RS1/16SS510J
	R 1422	RS1/16SS821J	R 1839	RS1/16SS151J
	R 1423	RS1/16SS821J	R 1840	RS1/16SS270J
	R 1431	RS1/16SS75R0D	R 1841	RS1/16SS131J
	R 1434	RS1/16SS0R0J	R 1842	RS1/16SS131J
	R 1435	RS1/16SS101J	R 1843	RS1/16SS151J
	R 1437	RS1/16SS163J	R 1844	RS1/16SS240J
	R 1438	RS1/16SS163J	R 1845	RS1/16SS330J
	R 1439	RS1/16SS0R0J	R 1846	RS1/16SS270J
C	R 1440	RS1/16SS75R0D	R 1847	RS1/16SS510J
	R 1441	RS1/16SS0R0J	R 1848	RS1/16SS220J
	R 1446	RS1/16SS0R0J	R 1849	RS1/16SS151J
	R 1447	RS1/16SS822J	R 1850	RS1/16SS151J
	R 1449	RS1/16SS822J	R 1851	RS1/16SS330J
	R 1601 (D,E,F,G)	RS1/16SS8201D	R 1852	RS1/16SS1R0J
	R 1602 (D,E,F,G)	RS1/16SS6800D	R 2001	RS1/16SS222J
	R 1603 (D,E,F,G)	RS1/16SS8201D	R 2002	RS1/16SS332J
	R 1605 (D,E,F,G)	RS1/16SS6800D	R 2003	RS1/16SS102J
	R 1606 (A,B,C)	RS1/16SS102J	R 2015	RS1/16SS104J
	R 1606 (D,E,F,G)	RS1/16SS1001D	R 2016	RS1/16SS104J
D	R 1607 (A,B,C)	RS1/16SS102J	R 2017	RS1/16SS104J
	R 1607 (D,E,F,G)	RS1/16SS1001D	R 2018	RS1/16SS104J
	R 1608	RS1/16SS103J	R 2031	RS1/16SS101J
	R 1609	RS1/16SS103J	R 2032	RS1/16SS562J
	R 1701	RS1/16SS1002D	R 2033	RS1/16SS113J
	R 1702	RS1/16SS1002D	R 2034	RS1/16SS333J
	R 1703	RS1/16SS8201D	R 2035	RS1/16SS303J
	R 1706	RS1/10SR9102D	R 2036	RS1/16SS133J
	R 1707	RS1/10SR1802D	R 2037	RS1/16SS133J
	R 1708	RS1/16SS203J	R 2038	RS1/16SS101J
E	R 1709	RS1/16SS104J	R 2039	RS1/16SS562J
	R 1710	RS1/16SS103J	R 2040	RS1/16SS113J
	R 1711	RS1/16SS472J	R 2041	RS1/16SS333J
	R 1712	RS1/16SS1003D	R 2042	RS1/16SS303J
	R 1713	RS1/16SS9101D	R 2043	RS1/16SS133J
	R 1714	RS1/10SR2R2J	R 2044	RS1/16SS133J
	R 1716	RS1/16SS1203D	R 2045	RS1/16SS101J
	R 1717	RS1/16SS302J	R 2046	RS1/16SS562J
	R 1718	RS1/16SS1502D	R 2047	RS1/16SS113J
	R 1719	RS1/16SS472J	R 2048	RS1/16SS333J
F	R 1720	RS1/16SS103J	R 2049	RS1/16SS303J
	R 1721	RS1/16SS332J	R 2050	RS1/16SS133J
	R 1802	RS1/16SS473J	R 2051	RS1/16SS133J
	R 1803	RS1/16SS473J	R 2052	RS1/16SS101J
	R 1805	RS1/16SS473J	R 2053	RS1/16SS562J

5		6		7		8	
<u>Circuit Symbol and No.</u>		<u>Part No.</u>		<u>Circuit Symbol and No.</u>		<u>Part No.</u>	
R	2054		RS1/16SS113J	C	82		CKSSYB104K16
R	2055		RS1/16SS333J	C	83		CKSSYB102K50
R	2056		RS1/16SS303J	C	84		CKSSYB102K50
R	2057		RS1/16SS133J	C	90		CKSSYB102K50
R	2058		RS1/16SS133J	C	91		CKSRYSX106M6R3
				C	111		CKSSYB104K10
R	2059		RS1/16SS101J	C	112		CKSSYX224K10
R	2060		RS1/16SS113J	C	113		CEVW101M16
R	2061		RS1/16SS113J				
R	2062		RS1/16SS333J	C	201		CEHW470M16
R	2063		RS1/16SS303J	C	202		CKSSYB103K16
				C	203		CKSQYX106K10
R	2064		RS1/16SS102J	C	206		CKSSYB103K25
R	2065		RS1/16SS102J	C	207		CKSSYB103K50
R	2066		RS1/16SS101J				
R	2067		RS1/16SS113J	C	208		CKSYX106K35
R	2068		RS1/16SS113J	C	209		CKSSYB103K50
				C	213		CKSSYX105K10
R	2069		RS1/16SS333J	C	214		CKSSYX105K10
R	2070		RS1/16SS303J	C	215		CKSSYB222K50
R	2071		RS1/16SS102J				
R	2072		RS1/16SS102J	C	301	47 uF	CCG1256
R	2073		RS1/16SS302J	C	302		CKSSYB103K16
				C	303		CKSQYX106K16
R	2074		RS1/16SS302J	C	306		CKSSYB682K25
R	2075		RS1/16SS302J	C	307		CKSSYB103K50
R	2076		RS1/16SS302J				
R	2077		RS1/16SS302J	C	308		CKSYX106K35
R	2078		RS1/16SS302J	C	309		CKSSYB103K50
				C	502		CKSRYSX104K50
R	2079		RS1/16SS272J	C	503		CKSSYB104K10
R	2080		RS1/16SS272J	C	504		CKSYX476M6R3
R	2081		RS1/16SS272J				
R	2082		RS1/16SS272J	C	514		CKSRYSX105K16
R	2083		RS1/16SS101J	C	515		CKSRYSX105K50
				C	524		CKSSYB103K16
R	2084		RS1/16SS101J	C	531		CKSRYSX225K16
R	2104		RS1/16SS0R0J	C	532		CKSRYSX225K10
R	2105		RS1/16SS273J				
R	2106		RS1/16SS822J	C	533		CCSSCH681J50
R	2107		RS1/16SS824J	C	549		CKSRYSX106M6R3
				C	550		CKSSYB473K16
R	2108		RS1/16SS563J	C	551		CKSSYX105K10
R	2109		RS1/16SS622J	C	552		CKSSYX105K10
R	2111		RS1/16SS472J				
R	2118		RS1/16SS0R0J	C	553		CKSSYB473K16
R	2120		RS1/16SS0R0J	C	554		CKSSYX105K10
				C	555		CKSSYB102K50
R	8404		RS1/16SS103J	C	561		CKSSYX105K10
R	8406		RS1/16SS103J	C	562		CKSSYX105K10
R	8407		RS1/16SS472J				
R	8408		RS1/16SS472J	C	622		CKSSYX105K10
R	8409		RS1/16SS101J	C	701		CKSSYB104K10
				C	702		CKSSYB103K16
R	8410		RS1/16SS101J	C	703		CKSSYB104K10
R	8412		RS1/16SS391J	C	704		CKSSYB104K10
R	8413		RS1/16SS105J				
R	8414		RS1/16SS105J	C	706		CKSSYB102K50
R	8435		RS1/16SS0R0J	C	707		CKSSYB104K10
				C	709		CKSSYB104K10
				C	711		CKSSYB104K10
				C	712		CKSSYB104K10
				C	713		CCSSCH8R0D50
				C	714		CCSSCH100D50
C	11	CKSRYSX104K50		C	715		CKSSYB104K10
C	12	CEHAT332M16		C	719		CKSSYB103K50
C	14	CEHAT332M16		C	720		CKSSYB104K10
C	31	CKSSYX105K16					
C	41	CKSSYB103K50		C	723		CKSSYB104K10
				C	724		CKSSYB473K16
C	80	CKSSYB102K50					
C	81	CKSSYB102K50					

CAPACITORS

1

2

3

4

Circuit Symbol and No.Part No.Circuit Symbol and No.Part No.

C	725	CKSSYB104K10	C	1093	CKSSYB104K10	
C	726	CKSSYB102K50	C	1094	CKSSYB104K10	
C	727	CKSSYB102K50	C	1095	CKSSYB104K10	
A	C	728	CKSSYB473K16	C	1096	CKSSYB104K10
C	729	CKSSYB103K16	C	1098	CCSSCH560J50	
C	732	CKSSYB103K16	C	1099	CCSSCH560J50	
C	733	CKSSYB103K16	C	1100	CCSSCH560J50	
C	901	CKSRX106M6R3	C	1101	CCSSCH560J50	
C	902	CKSSYB104K10	C	1102	CCSSCH560J50	
C	903	CKSSYB104K10	C	1103	CCSSCH560J50	
C	904	CKSRX475K6R3	C	1104	CCSSCH560J50	
C	905	CKSSYB104K10	C	1105	CCSSCH560J50	
C	1003	CKSSYB104K10	C	1106	CCSSCH560J50	
B	C	1004	CKSSYB102K50	C	1107	CCSSCH560J50
C	1005	CKSSYB102K50	C	1108	CCSSCH560J50	
C	1006	CKSSYB104K10	C	1109	CCSSCH560J50	
C	1007	CKSSYB104K10	C	1110	CCSSCH560J50	
C	1011	CKSSYB104K10	C	1111	CCSSCH560J50	
C	1039	CKSSYB102K50	C	1112	CCSSCH560J50	
C	1041	CKSRX106M6R3	C	1113	CCSSCH560J50	
C	1042	CKSSYB104K10	C	1114	CCSSCH560J50	
C	1043	CKSRX106M6R3	C	1115	CCSSCH560J50	
C	1044	CKSSYB104K10	C	1151	CKSSYB104K10	
C	1053	CKSRX224K16	C	1152	CKSSYB104K10	
C	1054	CKSRX224K16	C	1153	CKSSYB104K10	
C	1058	CKSSYB104K10	C	1154	CKSSYB104K10	
C	1059	CKSSYB104K10	C	1155	CKSSYB104K10	
C	1060	CKSSYB104K10	C	1156	CKSSYB104K10	
C	1061	CKSSYB104K10	C	1157	CKSSYB104K10	
C	1062	CKSSYB104K10	C	1158	CCSSCH821J50	
C	1063	CKSSYB104K10	C	1159	CCSSCH821J50	
C	1064	CKSSYB104K10	C	1160	CCSSCH821J50	
C	1065	CKSSYB104K10	C	1161	CCSSCH821J50	
C	1066	CKSSYB104K10	C	1162	CKSSYX105K6R3	
C	1067	CKSSYB103K16	C	1201	CKSQYX106K10	
D	C	1068	CKSSYB103K16	C	1202	CKSQYX226M6R3
C	1069	CKSSYB104K10	C	1203	CKSSYB104K16	
C	1070	CCSSCH6R0D50	C	1251	CKSQYX226M6R3	
C	1071	CCSSCH6R0D50	C	1252	CKSSYB104K16	
C	1072	CCSSCH220J50	C	1301	CEVW101M16	
C	1073	CKSSYB104K10	C	1302	CKSQYX475K25	
C	1074	CKSSYX105K10	C	1303	CKSYX106K35	
C	1075	CKSSYB104K10	C	1304	CKSSYB104K16	
C	1076	CKSRX475K6R3	C	1305	CKSSYB473K16	
C	1077	CKSSYB104K10	C	1306	CKSSYX224K6R3	
C	1078	CKSSYB104K10	C	1307	CKSSYB104K16	
E	C	1079	CKSSYB104K10	C	1308	CKSSYB104K16
C	1080	CKSSYB104K10	C	1309	CKSSYB104K16	
C	1081	CKSSYB104K10	C	1310	CKSSYB104K16	
C	1082	CKSSYB103K16	C	1311	CKSSYB104K16	
C	1083	CKSSYB103K16	C	1351	CKSSYB103K16	
C	1084	CKSSYB103K16	C	1352	CKSSYB103K16	
C	1085	CKSSYB104K10	C	1353	CKSRX224K16	
C	1086	CKSSYB104K10	C	1354	CKSRX224K16	
C	1087	CKSSYB104K10	C	1409	CKSQYX475K10	
C	1088	CKSSYB104K10	C	1410	CKSQYX475K10	
F	C	1089	CKSSYB104K10	C	1411	CKSQYX475K10
C	1090	CKSSYB104K10	C	1412	CKSQYX475K10	
C	1091	CCSSCH270J50	C	1420	CKSSYB102K50	
C	1092	CKSSYB104K10	C	1421	CKSSYB102K50	

1

2

3

4

5		6		7		8	
<u>Circuit Symbol and No.</u>		<u>Part No.</u>		<u>Circuit Symbol and No.</u>		<u>Part No.</u>	
C	1440		CKSRYX475K10	C	1849		CKSSYB102K50
C	1441		CKSSYB102K50	C	1850		CKSSYB104K10
C	1442		CKSSYB102K50	C	2001		CKSSYB104K16
C	1450		CKSSYB102K50	C	2003		CKSSYX105K10
C	1451		CKSSYX104K50	C	2004		CKSQYX106K10
C	1456		CKSRYX225K10	C	2011		CKSSYB102K50
C	1458		CKSRYX225K10	C	2012		CKSSYB104K16
C	1482		CKSSYX104K50	C	2013		CKSQYX106K10
C	1483		CKSRYX106M6R3	C	2014		CKSQYX106K10
C	1484		CKSRYX106M6R3	C	2015		CKSSYB104K16
C	1601		CKSSYB104K10	C	2031		CCSSCH820J50
C	1602		CKSSYB104K10	C	2032		CCSSCH820J50
C	1603		CKSSYB102K50	C	2033		CCSSCH820J50
C	1604		CKSSYB102K50	C	2034		CCSSCH820J50
C	1701		CKSSYX224K6R3	C	2035		CKSSYB104K16
C	1703		CKSSYX105K10	C	2036		CKSQYX106K10
C	1704		CKSSYX224K6R3	C	2037		CCSSCH681J50
C	1705		CKSRYB224K16	C	2038		CKSQYX106K10
C	1706		CKSSYB222K50	C	2039		CCSSCH681J50
C	1707		CKSSYB102K50	C	2040		CKSQYX106K10
C	1708		CKSSYX105K16	C	2041		CKSQYX106K10
C	1709		CKSSYX105K10	C	2042		CCSSCH820J50
C	1710		CKSSAYX105K25	C	2043		CCSSCH820J50
C	1712		CKSSAYX105K25	C	2044		CCSSCH820J50
C	1713		CKSSYX104K50	C	2045		CCSSCH820J50
C	1714		CKSSYX104K50	C	2046		CKSSYB104K16
C	1715		CKSSYX104K50	C	2047		CKSQYX106K10
C	1717		CKSQYX475K25	C	2048		CCSSCH681J50
C	1718		CKSSYB682K25	C	2049		CKSQYX106K10
C	1719		CKSRYX475K6R3	C	2050		CCSSCH681J50
C	1720		CCSSCH101J50	C	2051		CKSQYX106K10
C	1721		CKSSYB561K50	C	2052		CKSQYX106K10
C	1722		CKSQYX475K25	C	2053		CCSSCH121J50
C	1724		CKSSYB102K50	C	2054		CCSSCH121J50
C	1801		CKSSYB104K16	C	2055		CCSSCH121J50
C	1802		CKSSYB102K50	C	2056		CCSSCH121J50
C	1803		CKSSYB102K50	C	2057		CKSSYB104K16
C	1804		CKSSYX105K16	C	2058		CKSQYX106K10
C	1805		CKSSYB102K50	C	2059		CKSSYB681K50
C	1806		CKSSYB104K16	C	2060		CKSQYX106K10
C	1808		CKSYX106K35	C	2061		CKSSYB681K50
C	1809		CKSSYB102K50	C	2062		CKSQYX106K10
C	1811		CKSSYB102K50	C	2063		CKSQYX106K10
C	1812		CKSSYB102K50	C	2064		CKSSYX105K10
C	1813		CKSSYB104K10	C	2065		CKSSYX105K10
C	1814		CKSRYX106M6R3	C	2066		CKSSYX105K10
C	1817		CKSSYX104K50	C	2067		CKSSYX105K10
C	1818		CKSQYB334K50	C	2068		CKSSYX105K10
C	1819		CKSSYB103K50	C	2069		CKSSYX105K10
C	1821		CKSSYB104K16	C	2070		CKSSYB223K16
C	1822		CKSQYX475K25	C	2071		CKSSYB223K16
C	1823		CKSRYX225K16	C	2072		CKSSYB223K16
C	1825		CKSSYB104K10	C	2073		CKSSYB223K16
C	1826		CKSYX106K35	C	2074		CCSSCH101J50
C	1831		CKSSYB104K16	C	2075		CCSSCH101J50
C	1832		CKSQYX475K25	C	2076		CCSSCH101J50
C	1839		CKSSYB102K50	C	2077		CCSSCH101J50
C	1840		CKSSYB104K16	C	2078		CCSSCH471J50
C	1841		CKSSYB102K50	C	2079		CCSSCH471J50
C	1842		CKSSYB104K10	C	2080		CCSSCH471J50

1

2

3

4

Circuit Symbol and No.Part No.Circuit Symbol and No.Part No.

C 2081
C 2082
C 2083

CCSSCH471J50
CKSSYB223K16
CKSSYB223K16

D 2202 LED
D 2206 Diode
D 2207 Diode
L 2101 SMD SPL Inductor

FC-F1608BAK5
EZAEG2A50AX
EZAEG2A50AX
CTH1651

A

C 2108
C 2109
C 2110
C 2111
C 2112

CKSSYB104K16
CCSSCH101J50
CKSRYX225K10
CKSSBYX225M10
CCSSCH6R0D50

MC 2001 Microphone
TH 2001 SMD Thermistor
S 2201 Push Switch
S 2202 Push Switch
S 2203 Push Switch

CPM1116
ERTJ0ER104F
CSG1155
CSG1155
CSG1155

C 2113
C 2114
C 2115
C 2116
C 8401

CCSSCH220J50
CKSSYX105K10
CCSSCH6R0D50
CKSSYB102K50
CKSSYB104K16

S 2204 Push Switch
S 2205 Push Switch
S 2209 Push Switch
CN 2001 FFC/FPC Connector
CN 2002 Connector

CSG1155
CSG1155
CSG1155
CKS6644
CKS4428

B

C 8402
C 8403
C 8404
C 8405
C 8407

CKSSYB104K16
CKSRYX106M6R3
CKSRYX106M6R3
CKSSYB104K16
CKSSYX224K6R3

CN 2003 FFC/FPC Connector
JA 2201 USB Jack

CKS5285
CKN1131

RESISTORS

C 8408
C 8409
C 8411
C 8412
C 8413

CKSSYB102K50
CKSSYB104K16
CCSSCH5R0C50
CCSSCH120J50
CKSRYX225K10

R 2012
R 2017
R 2018
R 2019
R 2101

RS1/16SS472J
RS1/16SS183J
RS1/16SS0R0J
RS1/16SS0R0J
RS1/4SA2R2J

C

C 8414
C 8415
C 8418
C 8419
C 8423

CKSRYX225K10
CKSSYB104K16
CCSSCH102J50
CCSSCH471J50
CKSSYB152K50

R 2103
R 2105
R 2109
R 2110
R 2111

RS1/16SS105J
RS1/16SS154J
RS1/16SS102J
RS1/16SS102J
RS1/16SS2702D

■

C 8427
C 9201
C 9202
C 9203
C 9204

CCSSCH120J50
CKSRYB474K10
CKSRYB474K10
CKSRYB474K10
CKSRYB474K10

R 2112
R 2113
R 2114
R 2115
R 2117

RS1/16SS1801D
RS1/16SS104J
RS1/16SS104J
RS1/16SS223J
RS1/16SS563J

D

C 9206
C 9208
C 9209
C 9210
C 9212

CEHVW100M16
CKSRYX225K10
CEHAT332M16
CKSRYX104K50
CKSRYX104K50

R 2118
R 2201
R 2205
R 2206
R 2207

RS1/16SS104J
RS1/16SS101J
RS1/16SS182J
RS1/16SS222J
RS1/16SS472J

■

C 9213
C 9214
C 9215
C 9216
C 9217

CKSSYB102K50
CKSSYB102K50
CKSSYB102K50
CKSSYB102K50
CKSSYB102K50

R 2208
R 2209

RS1/16SS392J
RS1/8SQ391J

CAPACITORS

C 9218
C 9219
C 9220

CKSSYB102K50
CKSSYB102K50
CKSSYB102K50

C 2001
C 2002
C 2003
C 2004
C 2005

CKSSYB104K10
CCSSCH120J50
CCSSCH120J50
CCSSCH120J50
CCSSCH120J50

E

B

Unit Number : CWF2631

Unit Name : Monitor Key Unit

MISCELLANEOUS

IC 2101 Display IC
IC 2201 IR RC REC Module
Q 2002 Bipolar TR
D 2101 Schottky Diode
D 2102 Diode

OZ527ILN
SIR8440B5
LSCR523UB
RB162MM-40TF
CRG03

C 2006
C 2007
C 2101
C 2105
C 2106

CKSSYB104K10
CKSSYB104K10
CKSSYB472K50
CKSYX106K35
CKSSYX104K50

F

D 2201 LED

FC-3215BK-470H10

C 2108
C 2111
C 2112
C 2113
C 2114

CKSYX106K35
CKSSYX105K16
CKSRYB224K16
CKSSYX105K16
CKSSYX105K10

C 2115
C 2205

CCSSCH101J50
CKSRYX106M6R3

C 2211

CKSRYX475K10



Unit Number : NSP

Unit Name : Relay Unit

MISCELLANEOUS

S	101	Lever Switch (HOME)	CSN1090
S	102	Lever Switch (12 cm)	CSN1089
VR	101	SMD Semi Fixed VR 6.8 kohm (B)	CCP1587
VR	102	SMD Semi Fixed VR 15 kohm (B)	CCP1589
CN	101	FFC/FPC Connector	CKS6776
CN	102	Connector	CKS4926

RESISTORS

R	101	RS1/10SR822J
R	102	RS1/10SR0R0J