

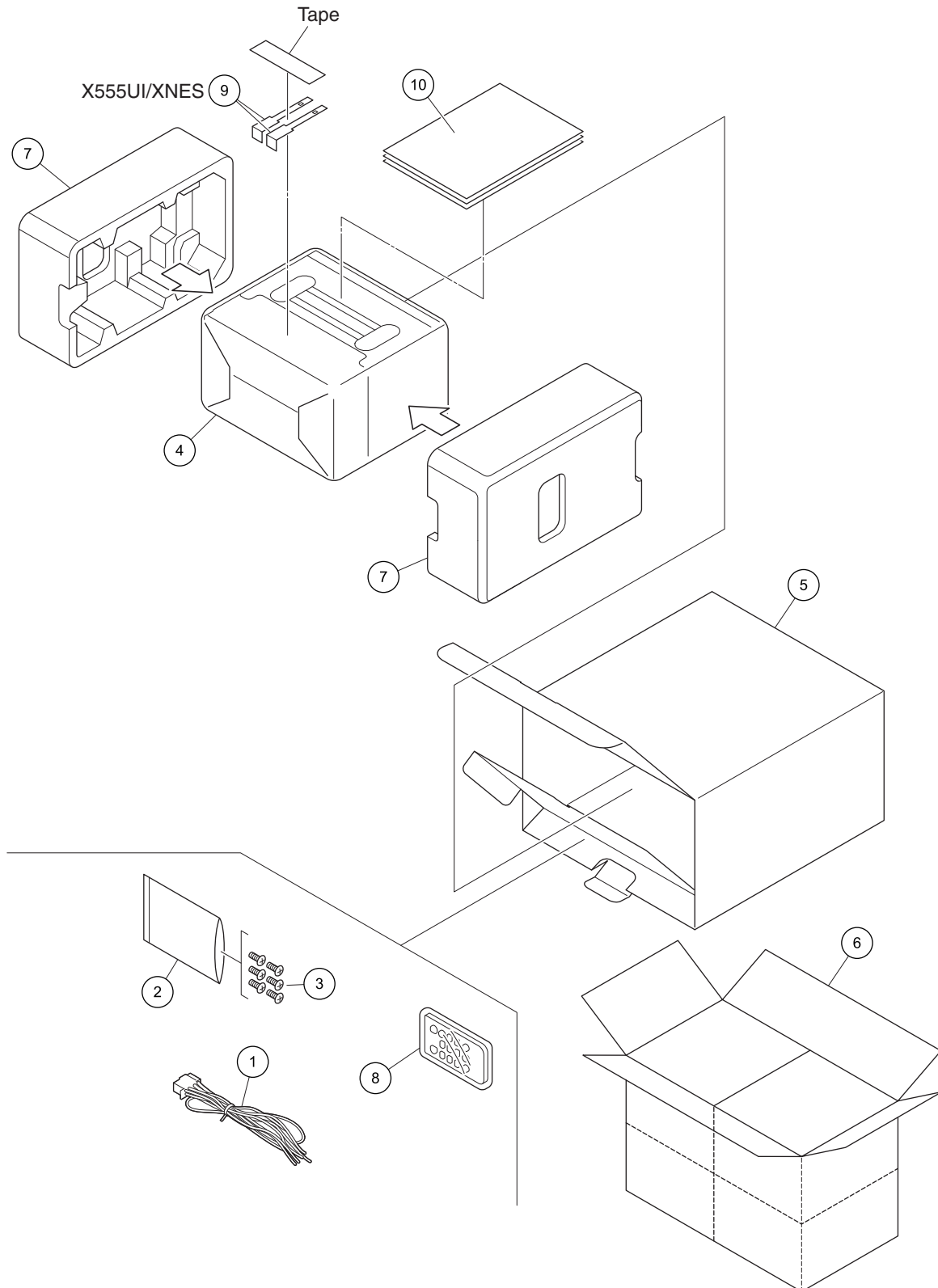


9. EXPLODED VIEWS AND PARTS LIST

- NOTES :
- Parts marked by " * " are generally unavailable because they are not in our Master Spare Parts List.
 - The  mark found on some component parts indicates the importance of the safety factor of the part. Therefore, when replacing, be sure to use parts of identical designation.
 - Screw adjacent to  mark on the product are used for disassembly.
 - For the applying amount of lubricants or glue, follow the instructions in this manual. (In the case of no amount instructions, apply as you think it appropriate.)

9.1 PACKING



(1) PACKING SECTION PARTS LIST

<u>Mark No.</u>	<u>Description</u>	<u>Part No.</u>	<u>Mark No.</u>	<u>Description</u>	<u>Part No.</u>
1	Cord Assy	QDP3033	7	Protector	See Contrast table (2)
2	Polyethylene Bag	CEG1160	8	Card Remote Control Unit	QXE1047
3	Screw	TRZ50P080FTC	9	Handle	See Contrast table (2)
4	Cover	CEG1356	10-1	Owner's Manual	See Contrast table (2)
5	Unit Box	See Contrast table (2)	*	10-2 Warranty Card	See Contrast table (2)
6	Contain Box	See Contrast table (2)	*	10-3 Service Network	See Contrast table (2)

(2) CONTRAST TABLE

FH-X555UI/XNES and FH-X559UI/XNID are constructed the same except for the following:

Mark	No.	Description	FH-X555UI/XNES	FH-X559UI/XNID
	5	Unit Box	QHG3419	QHG3421
	6	Contain Box	QHL3419	QHL3421
	7	Protector	QHP3032	QHP3033
	9	Handle	CND6289	Not used
	10-1	Owner's Manual	QRD3137	QRB3256
*	10-2	Warranty Card	Not used	CRY1304
*	10-3	Service Network	Not used	CRY1305

Owner's Manual,Installation Manual

Part No.	Language
QRD3137	English, Spanish(Espanol), Portuguese(B), Traditional Chinese, Arabic, Persian
QRB3256	English

9.2 EXTERIOR(1)

1

2

3

4

A

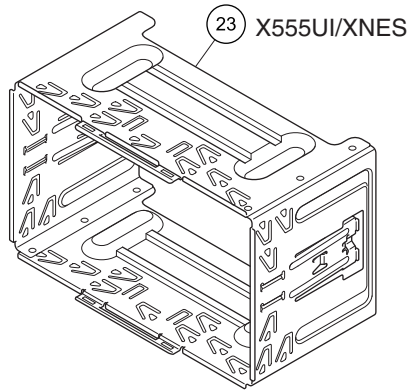
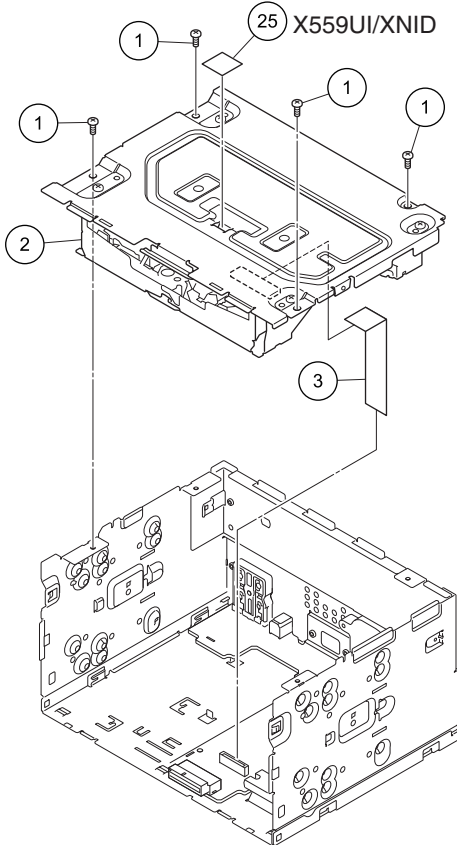
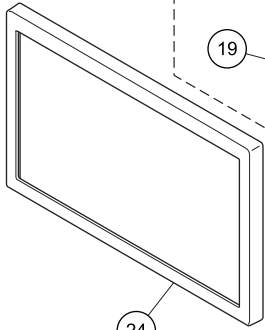
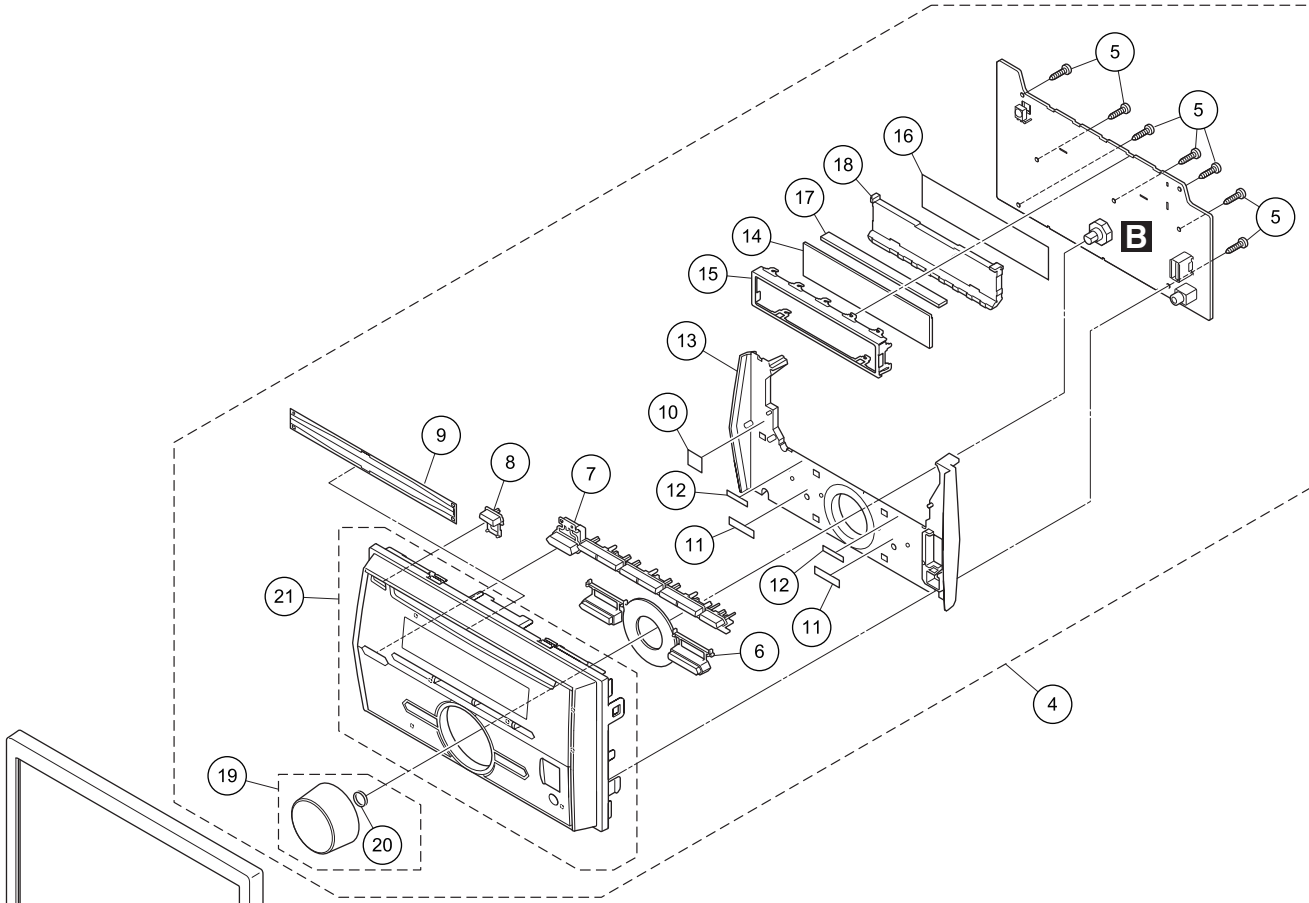
B

C

D

E

F



1

2

3

4

(1) EXTERIOR(1) SECTION PARTS LIST

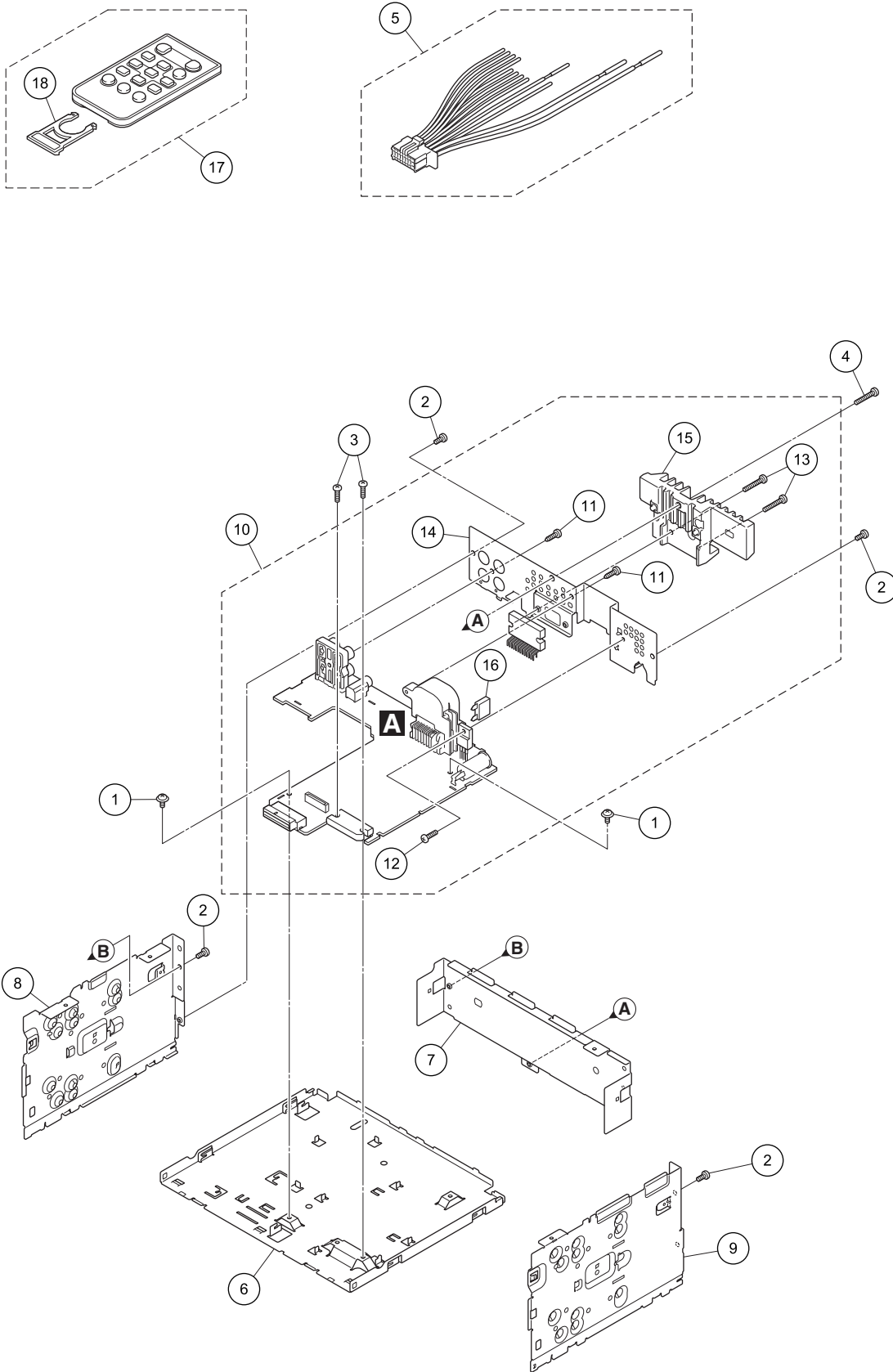
<u>Mark No.</u>	<u>Description</u>	<u>Part No.</u>	<u>Mark No.</u>	<u>Description</u>	<u>Part No.</u>
1	Screw	BSZ26P060FTC	14	Segment LCD (V1802)	CAW2025
2	CD Mechanism Module (S11.6STD-FH) CXK5806		15	Holder	QNC3047
3	FFC	QDE3029			
4	Grille Assy	See Contrast table (2)	16	Sheet	QNM3068
5	Screw	BPZ20P080FTC	17	Rubber Connector	QNV3053
			18	Lighting Conductor	QNV3054
6	Button (<, >)	QAC3089	19	Knob Unit	QXA3723
7	Button (MIX, 1-6, DISP)	QAC3115	20	Spring	YBL5010
8	Button (EJECT)	QAC3093			
9	Cover	QNM3029	21	Grille Unit	See Contrast table (2)
10	Sheet	QNM3066	22	
			23	Holder	See Contrast table (2)
11	Sheet	QNM3067	24	Panel	See Contrast table (2)
12	Sheet	QNM3071	25	Label	See Contrast table (2)
13	Lighting Conductor	QNV3061			

(2) CONTRAST TABLE

FH-X555UI/XNES and FH-X559UI/XNID are constructed the same except for the following:

Mark	No.	Description	FH-X555UI/XNES	FH-X559UI/XNID
	4	Grille Assy	QXA3820	QXA3821
	21	Grille Unit	QXA3812	QXA3813
	23	Holder	CND6288	Not used
	24	Panel	CNS9952	Not used
	25	Label	Not used	CNN3533

9.3 EXTERIOR(2)



9.4 CD MECHANISM MODULE

A

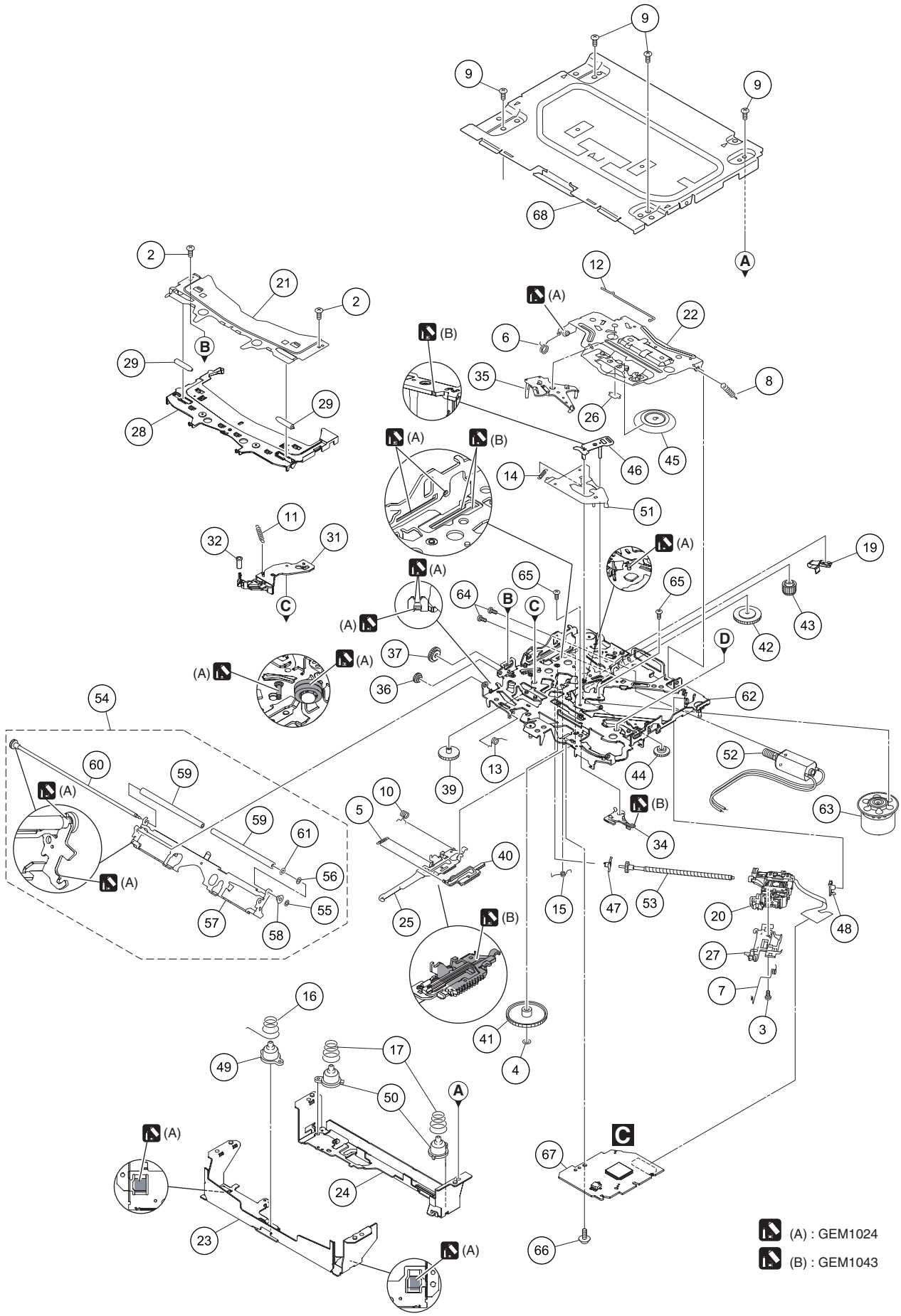
B

C

D

E

F



(A) : GEM1024
 (B) : GEM1043

12. ELECTRICAL PARTS LIST

NOTE:

- Parts whose parts numbers are omitted are subject to being not supplied.
- The part numbers shown below indicate chip components.

Chip Resistor

RS1/○S○○○○J,RS1/○○S○○○○J

Chip Capacitor (except for CQS.....)

CKS....., CCS....., CSZS.....

- The \triangle mark found on some component parts indicates the importance of the safety factor of the part. Therefore, when replacing, be sure to use parts of identical designation.
- Meaning of the figures and others in the parentheses in the parts list.

Example) IC 301 is on the point (face A, 91 of x-axis, and 111 of y-axis) of the corresponding PC board.

IC 301 (A, 91, 111) IC NJM2068V

- The expression of the unit in this manual is shown by u instead of μ . Please do not make a mistake.

<u>Circuit Symbol and No.</u>	<u>Part No.</u>	<u>Circuit Symbol and No.</u>	<u>Part No.</u>
Unit Number : QWM3540(ES)		Q 871 (A,144,59) Transistor	2SA1577
Unit Number : QWM3541(ID)		Q 872 (A,144,67) Transistor	LTC143EUB
Unit Name : Tuner Amp Unit		Q 941 (A,96,121) Transistor	LSCR523UB
Unit Number :		Q 951 (A,123,110) Transistor	LSAR523UB
Unit Name : Keyboard Unit		D 301 (A,102,125) Diode	CRG03
Unit Number :		D 302 (A,90,121) Diode	CRG03
Unit Name : CD Core Unit (S11.6STD)		D 401 (A,158,107) Diode	RN731VN
		D 402 (A,158,100) Diode	RN731VN
		D 551 (A,22,124) Diode	CMS03
		D 552 (A,22,104) Diode	RB056L-40
		D 751 (A,138,135) Diode	RKZ8.2KG(B2)
		D 803 (A,126,15) Diode	DZ2S068C
		D 804 (A,119,14) Diode	DZ2S068C
		D 805 (A,120,14) Diode	DZ2S068C
		D 806 (A,116,13) Diode	DZ2S068C
		D 807 (A,113,13) Diode	DZ2S068C
		D 901 (A,141,127) Diode	1SR154-400
		D 902 (A,137,127) Diode	1SR154-400

MISCELLANEOUS

IC 201 (A,101,107) LSI	PM9013A	D 911 (A,158,66) Diode	CRG03
IC 301 (A,78,142) IC	PA2030A	D 912 (A,161,66) Diode	CRG03
IC 401 (A,150,91) IC	TDA7706	D 941 (A,93,125) Diode	HZU7L(A1)
IC 531 (A,93,88) IC	337S3959	D 951 (A,123,113) Diode	1SS301
IC 551 (A,19,111) Regulator IC	BD9876EFJ	L 202 (A,94,102) Inductor	CTF1793
IC 552 (A,106,24) IC	BD2232G-G	L 401 (A,155,104) Chip Coil	LCTAWR27J2520
IC 601 (A,110,77) IC	R5S726A0D216FP	L 402 (A,159,104) Chip Coil	LCTAWR15J2520
IC 671 (A,131,75) IC	S-80827CNMC-B8M	L 403 (A,151,102) Inductor	CTF1786
IC 681 (A,114,94) Flash ROM Unit	PEB043A8	L 404 (A,146,102) Inductor	CTF1786
IC 801 (A,104,18) L-MOS And Gate	TC7SET08FUS1	L 407 (A,147,107) Chip Coil	LCTAWR27J2520
IC 911 (A,145,28) Regulator IC	BA49183-V12	L 408 (A,141,104) Chip Coil	LCTAW1R5J2520
IC 961 (A,131,110) IC	TPD1052F	L 409 (A,143,109) Chip Coil	LCTAWR39J2520
Q 251 (A,13,130) Chip Transistor	RN1910	L 410 (A,137,94) Inductor	LCTAW2R2J2520
Q 252 (A,23,131) Chip Transistor	RN1910	L 413 (A,144,82) Inductor	CTF1786
Q 301 (A,87,125) Chip Transistor	RN4983	L 419 (A,161,95) Inductor	CTF1786
Q 302 (A,127,104) Transistor	LTC014YEB	L 420 (A,161,96) Inductor	CTF1786
Q 531 (A,93,97) Transistor	LSAR523UB	L 551 (A,30,107) Inductor	CTH1524
Q 601 (A,93,68) Transistor	LTC014YEB	L 801 (A,115,17) Inductor	CTF1713
Q 751 (A,142,139) Transistor	2SD2396	L 901 (A,112,141) Choke Coil 600 uH	CTH1432
Q 752 (A,142,133) Chip Transistor	RN4983	L 951 (A,122,116) Chip Coil	BTH1101
		X 401 (A,161,88) Crystal Resonator 36.48 MHz	CSS1848
		X 601 (A,126,76) Crystal Resonator 12 MHz	CSS1847

5		6		7		8	
<u>Circuit Symbol and No.</u>		<u>Part No.</u>		<u>Circuit Symbol and No.</u>		<u>Part No.</u>	
X 602	(A,117,90)	Ceramic Resonator	16.934 MHz	CS1603	R 610	(A,122,70)	RS1/16SS473J
△P251	(A,6,130)	Fuse 3.0 A	CEK1386		R 611	(A,124,72)	RS1/16SS473J
P 402	(A,155,111)	Surge Absorber	HSPC16701B02		R 613	(A,121,76)	RS1/16SS152J
CN701	(A,114,32)	Connector	VKN1192		R 614	(A,122,78)	RS1/16SS473J
CN801	(A,109,4)	Connector	CKS6452		R 615	(A,130,79)	RS1/16SS473J
JA251	(A,19,138)	Pin Jack	CKB1099		R 616	(A,125,68)	RS1/16SS473J
JA401	(A,158,129)	Antenna Jack	YKS5041		R 617	(A,131,81)	RS1/16SS103J
JA891	(A,42,138)	Jack	CKS6437		R 618	(A,125,82)	RS1/16SS473J
JA901	(A,113,141)	Connector	CKM1613		R 619	(A,126,82)	RS1/16SS223J
△	Fuse 10 A		YEK5001		R 622	(A,125,87)	RS1/16SS473J
RESISTORS					R 623	(A,130,85)	RAB4CQ473J
R 251	(A,18,131)		RS1/16SS821J		R 625	(A,114,90)	RS1/16SS101J
R 252	(A,9,132)		RS1/16SS821J		R 626	(A,113,90)	RS1/16SS101J
R 253	(A,15,131)		RS1/16SS223J		R 627	(A,112,88)	RS1/16SS101J
R 254	(A,11,131)		RS1/16SS223J		R 628	(A,111,90)	RS1/16SS101J
R 255	(A,29,132)		RS1/16SS821J		R 629	(A,109,92)	RS1/16SS101J
R 256	(A,19,131)		RS1/16SS821J		R 630	(A,110,89)	RS1/16SS101J
R 257	(A,28,131)		RS1/16SS223J		R 631	(A,107,92)	RS1/16SS473J
R 258	(A,21,131)		RS1/16SS223J		R 632	(A,105,91)	RS1/16SS473J
R 301	(A,68,127)		RS1/16SS471J		R 633	(A,107,90)	RS1/16SS101J
R 302	(A,82,125)		RS1/16SS471J		R 634	(A,103,88)	RS1/16SS102J
R 303	(A,73,127)		RS1/16SS471J		R 635	(A,102,88)	RS1/16SS102J
R 304	(A,78,126)		RS1/16SS471J		R 636	(A,100,91)	RS1/16SS473J
R 305	(A,88,127)		RS1/16SS103J		R 637	(A,100,90)	RS1/16SS473J
R 306	(A,89,129)		RS1/16SS102J		R 638	(A,104,92)	RS1/16SS473J
R 309	(A,86,121)		RS1/16SS103J		R 639	(A,97,91)	RS1/16SS472J
R 311	(A,86,123)		RS1/16SS473J		R 640	(A,98,91)	RS1/16SS472J
R 312	(A,99,129)		RS1/16SS103J		R 643	(A,99,82)	RS1/16SS104J
R 401	(A,161,106)		RS1/16SS221J		R 644	(A,98,79)	RS1/16SS101J
R 402	(A,161,100)		RS1/16SS751J		R 645	(A,95,79)	RS1/16SS101J
R 403	(A,139,104)		RS1/16SS331J		R 646	(A,92,75)	RS1/16SS103J
R 404	(A,142,99)		RS1/16SS105J		R 647	(A,98,78)	RS1/16SS101J
R 406	(A,154,108)		RS1/16SS105J		R 648	(A,95,76)	RS1/16SS102J
R 407	(A,139,96)		RS1/16SS330J		R 649	(A,95,75)	RS1/16SS102J
R 408	(A,137,97)		RS1/16SS361J		R 650	(A,95,74)	RS1/16SS102J
R 409	(A,144,98)		RS1/16SS0R0J		R 651	(A,97,71)	RS1/16SS473J
R 410	(A,141,91)		RS1/16SS0R0J		R 652	(A,98,69)	RS1/16SS222J
R 411	(A,138,91)		RS1/16SS391J		R 653	(A,100,66)	RS1/16SS103J
R 412	(A,152,78)		RS1/4SA8R2J		R 659	(A,123,61)	RS1/16SS153J
R 413	(A,158,78)		RS1/4SA8R2J		R 660	(A,123,60)	RS1/16SS153J
R 414	(A,139,87)		RS1/16SS0R0J		R 664	(A,133,62)	RS1/16SS103J
R 415	(A,152,80)		RS1/16SS0R0J		R 668	(A,93,71)	RS1/16SS473J
R 531	(A,91,94)		RS1/16SS473J		R 669	(A,95,69)	RS1/16SS473J
R 532	(A,91,85)		RS1/16SS222J		R 671	(A,128,70)	RS1/16SS104J
R 533	(A,92,85)		RS1/16SS222J		R 681	(A,109,97)	RS1/16SS473J
R 534	(A,93,92)		RS1/16SS272J		R 682	(A,110,91)	RS1/16SS473J
R 535	(A,95,92)		RS1/16SS472J		R 683	(A,120,92)	RS1/16SS473J
R 536	(A,96,92)		RS1/16SS472J		R 684	(A,109,94)	RS1/16SS473J
R 537	(A,96,85)		RS1/16SS101J		R 685	(A,120,96)	RS1/16SS473J
R 538	(A,95,84)		RS1/16SS101J		R 701	(A,108,38)	RS1/16SS473J
R 551	(A,25,111)		RS1/16SS682J		R 702	(A,115,37)	RS1/16SS104J
R 552	(A,30,112)		RS1/16SS0R0J		R 703	(A,118,28)	RAB4CQ472J
R 553	(A,27,112)		RS1/16SS1803D		R 704	(A,110,41)	RS1/16SS104J
R 554	(A,27,110)		RS1/16SS4302D		R 706	(A,108,36)	RS1/16SS221J
R 555	(A,39,124)		RS1/10SR471J		R 707	(A,109,38)	RS1/16SS221J
R 602	(A,107,63)		RS1/16SS473J		R 708	(A,110,38)	RS1/16SS101J
R 604	(A,116,59)		RS1/16SS473J		R 709	(A,111,38)	RS1/16SS221J
R 609	(A,122,64)		RS1/16SS473J		R 710	(A,112,38)	RS1/16SS101J
					R 711	(A,114,39)	RS1/16SS102J
					R 715	(A,116,36)	RS1/16SS151J

1

2

3

4

Circuit Symbol and No.**Part No.****Circuit Symbol and No.****Part No.**

R 716 (A,117,36) RS1/16SS151J
 R 717 (A,119,36) RS1/16SS151J
 R 718 (A,122,36) RS1/16SS221J
 R 719 (A,121,36) RS1/16SS104J
 R 752 (A,145,135) RS1/10SR821J

C 216 (A,92,101) 10 uF
 C 217 (A,95,100)
 C 218 (A,114,109)
 C 219 (A,112,103) 10 uF
 C 220 (A,106,98) 10 uF

CCG1192
 CKSSYB104K10
 XCEVW470M16
 CCG1192
 CCG1192

R 753 (A,127,91) RS1/16SS473J
 R 754 (A,127,92) RS1/16SS103J
 R 801 (A,124,22) RS1/10SR222J
 R 802 (A,103,15) RS1/10SR222J
 R 803 (A,121,17) RS1/16SS223J

C 223 (A,91,101)
 C 224 (A,115,103)
 C 229 (A,110,112)
 C 236 (A,110,104)
 C 251 (A,35,128) 4.7 uF

CKSSYB102K50
 CKSSYB104K10
 CKSSYB102K50
 CKSRYB105K10
 CCG1201

R 804 (A,118,17) RS1/16SS223J
 R 805 (A,121,19) RS1/10SR101J
 R 806 (A,118,20) RS1/10SR101J
 R 807 (A,119,20) RS1/10SR101J
 R 808 (A,124,20) RS1/10SR222J

C 252 (A,17,127) 4.7 uF
 C 253 (A,17,130)
 C 254 (A,10,130)
 C 255 (A,35,132) 4.7 uF
 C 256 (A,30,130) 4.7 uF

CCG1201
 CCSSCH101J50
 CCSSCH101J50
 CCSSCH101J50
 CCG1201
 CCG1201

R 809 (A,115,21) RS1/10SR220J
 R 810 (A,114,21) RS1/10SR220J
 R 811 (A,117,20) RS1/10SR222J
 R 812 (A,112,21) RS1/10SR222J
 R 813 (A,107,16) RS1/10SR222J

C 257 (A,26,131)
 C 258 (A,20,131)
 C 261 (A,6,133) (ES)
 (A,6,133) (ID)

CCSSCH101J50
 CCSSCH101J50
 CCSSCH101J50
 CKSSYB102K50

R 814 (A,101,19) RS1/10SR222J
 R 815 (A,100,19) RS1/16SS822J
 R 816 (A,96,19) RS1/10SR222J
 R 817 (A,95,19) RS1/10SR222J
 R 851 (A,93,20) RS1/16SS472J

C 301 (A,69,129)
 C 303 (A,80,129)

CKSRYB224K16
 CKSRYB224K16

R 871 (A,143,65) RS1/10SR332J
 R 872 (A,143,62) RS1/16SS103J
 R 877 (A,121,27) RS1/16SS1R0J
 R 878 (A,124,26) RS1/10SR473J
 R 891 (A,58,138) RS1/16SS102J

C 305 (A,72,129)
 C 307 (A,77,129)
 C 313 (A,83,130)
 C 314 (A,135,126)
 C 317 (A,60,129)

CKSRYB224K16
 CKSRYB224K16
 CKSRYB105K16
 CKSRYB104K16
 XCEVW100M16

R 892 (A,58,136) RS1/16SS102J
 R 911 (A,145,40) RS1/10SR1R0J
 R 912 (A,141,41) RS1/10SR1R0J
 R 941 (A,94,121) RS1/16SS223J
 R 942 (A,94,122) RS1/16SS473J

C 319 (A,62,136)
 C 320 (A,64,135)
 C 321 (A,83,129)
 C 322 (A,104,126)
 C 323 (A,106,129)

CCSSCH101J50
 CCSSCK1R0C50
 CCSSCH101J50
 CKSRYB104K16
 CCSRCH100D50

R 943 (A,95,125) RS1/16SS472J
 R 944 (A,98,123) RS1/4SA102J
 R 951 (A,126,115) RS1/16SS102J
 R 952 (A,121,111) RS1/16SS223J
 R 953 (A,125,115) RS1/16SS153J

C 324 (A,102,129)
 C 325 (A,95,134)
 C 326 (A,93,138)
 C 327 (A,87,129)
 C 402 (A,155,101)

CCSRCH100D50
 CCSRCH100D50
 CCSRCH100D50
 CKSRYB105K16
 CKSSYB103K16

R 961 (A,127,112) RS1/16SS103J
 R 962 (A,130,113) RS1/16SS103J
 R 963 (A,129,112) RS1/16SS105J

C 403 (A,152,102)
 C 405 (A,162,101)
 C 406 (A,160,101)
 C 408 (A,161,105)
 C 409 (A,156,105)

CKSRYB105K10
 CKSSYB103K16
 CKSSYB103K16
 CKSSYB103K16
 CCSSCH6R0D50

CAPACITORS

C 201 (A,96,115) CKSRYB105K10
 C 202 (A,104,116) CKSRYB105K10
 C 203 (A,92,116) CKSRYB105K10
 C 204 (A,107,115) CKSRYB105K10
 C 205 (A,94,116) CKSRYB105K10

C 410 (A,155,107)
 C 411 (A,148,99)
 C 412 (A,148,101)
 C 413 (A,150,101)
 C 414 (A,145,100)

CCSSCH330J50
 CKSSYB103K16
 CKSSYB104K10
 CKSSYB104K10
 CKSSYB103K16

C 206 (A,107,114) CKSRYB105K10
 C 207 (A,94,108) CKSSYB104K10
 C 208 (A,94,106) CKSSYB104K10
 C 209 (A,93,104) 10 uF CCG1192
 C 210 (A,96,106) CCSSCH151J50

C 415 (A,144,101) 10 uF
 C 416 (A,147,100)
 C 418 (A,142,101)
 C 419 (A,146,110)
 C 420 (A,150,106)

CCG1192
 CKSSYB104K10
 CKSSYB223K16
 CCSSCH150J50
 CKSSYB103K16

C 211 (A,109,107) CCSSCH151J50
 C 212 (A,108,109) 10 uF CCG1192
 C 213 (A,108,106) CKSSYB104K10
 C 214 (A,108,104) CKSSYB104K10
 C 215 (A,108,102) CKSSYB104K10

C 423 (A,144,106)
 C 424 (A,140,101)
 C 425 (A,138,99) 10 uF
 C 426 (A,139,97)
 C 427 (A,144,97)

CCSSCH8R0D50
 CKSSYB103K16
 CCG1192
 CKSSYB104K10
 CKSSYB104K10

1

2

3

4

1

2

3

4

Circuit Symbol and No.**Part No.****Circuit Symbol and No.****Part No.**

S 1821	(A,51,20) Push Switch	CSG1155
S 1822	(A,15,93) Push Switch	CSG1155
S 1823	(A,118,20) Push Switch	CSG1155
S 1824	(A,58,9) Push Switch	CSG1155
S 1826	(A,18,43) Push Switch	CSG1155
S 1828	(A,110,39) Push Switch	CSG1155
S 1830	(A,85,24)Encoder(MULTI-CONTROL)	CSD1168

S 1832	(A,111,9) Push Switch	CSG1155
S 1834	(A,130,53) Push Switch	CSG1155
S 1835	(A,120,53) Push Switch	CSG1155
S 1836	(A,89,53) Push Switch	CSG1155
S 1837	(A,96,53) Push Switch	CSG1155

S 1838	(A,58,53) Push Switch	CSG1155
S 1839	(A,65,53) Push Switch	CSG1155
S 1840	(A,34,53) Push Switch	CSG1155
S 1842	(A,59,39) Push Switch	CSG1155
CN1911	(A,150,33) Connector	CKS6443

CN1931	(B,109,10) Connector	CKS6451
JA1921	(A,151,16) Jack	CKN1094
V 1802	(A,40,80) Segment LCD	CAW2025

R 1919	(B,107,49)	RS1/10SR0R0J
R 1920	(B,111,34)	RS1/10SR0R0J
R 1931	(B,86,11)	RS1/10SR222J
R 1932	(B,86,13)	RS1/10SR222J
R 1944	(B,31,61)	RS1/10SR101J

CAPACITORS

C 1801	(B,83,41)	CKSRYB104K16
C 1802	(B,83,40)	CKSRYB104K16
C 1803	(B,86,40)	CKSRYB104K16
C 1804	(B,69,53)	CKSRYB105K10
C 1805	(B,73,43)	CKSRYB104K16

C 1851	(B,64,11)	CCSRCH100D50
C 1852	(B,62,11)	CCSRCH100D50
C 1853	(B,60,11)	CCSRCH100D50
C 1854	(B,68,21)	CKSRYB103K50
C 1855	(B,66,21)	CKSRYB105K10

C 1911	(B,140,27)	CKSRYB104K16
C 1912	(B,136,24)	CKSRYB104K16
C 1941	(B,28,61) 10 uF	CCG1192

RESISTORS

R 1809	(B,79,44)	RS1/10SR473J
R 1810	(B,68,42)	RS1/10SR103J
R 1824	(B,67,31)	RS1/10SR273J
R 1851	(B,64,18)	RS1/10SR222J
R 1852	(B,63,18)	RS1/10SR222J

R 1853	(B,61,18)	RS1/10SR222J
R 1854	(B,44,17)	RS1/10SR102J
R 1856	(B,45,19)	RS1/10SR102J
R 1858	(B,51,21)	RS1/10SR102J
R 1860	(B,51,26)	RS1/10SR102J

R 1862	(B,54,29)	RS1/10SR102J
R 1864	(B,56,29)	RS1/10SR102J
R 1866	(B,139,65)	RS1/10SR101J
R 1867	(B,149,58)	RS1/10SR101J
R 1868	(B,127,56)	RS1/10SR101J

R 1872	(B,100,43)	RS1/10SR101J
R 1873	(B,114,46)	RS1/10SR101J
R 1874	(B,106,34)	RS1/10SR101J
R 1875	(B,43,39)	RS1/10SR101J
R 1876	(B,28,49)	RS1/10SR101J

R 1877	(B,51,44)	RS1/10SR101J
R 1881	(B,142,67)	RS1/10SR680J
R 1882	(B,139,67)	RS1/10SR0R0J
R 1883	(B,147,61)	RS1/10SR680J
R 1884	(B,147,62)	RS1/10SR0R0J

R 1885	(B,142,61)	RS1/10SR680J
R 1886	(B,142,62)	RS1/10SR0R0J
R 1899	(B,32,49)	RS1/10SR680J
R 1900	(B,31,49)	RS1/10SR0R0J
R 1901	(B,27,58)	RS1/10SR680J

R 1902	(B,25,53)	RS1/10SR0R0J
R 1903	(B,48,46)	RS1/10SR680J
R 1904	(B,48,44)	RS1/10SR0R0J
R 1905	(B,105,52)	RS1/10SR680J
R 1906	(B,107,48)	RS1/10SR680J

R 1907	(B,111,36)	RS1/10SR680J
R 1918	(B,108,52)	RS1/10SR0R0J

C**Unit Number : CWX4023****Unit Name : CD Core Unit (S11.6STD)****MISCELLANEOUS**

IC 201	(B,23,37) IC	PE5791A
IC 301	(A,37,11) IC	BD8223EFV
Q 101	(B,11,53) Transistor	2SA1577
Q 102	(B,15,54) Transistor	LTA123JUB
X 201	(B,25,49) Ceramic Resonator	16.934 MHz CSS1603

S 901	(A,42,53) Spring Switch(HOME)	CSN1080
S 903	(B,21,12) Spring Switch(DSCSNS)	CSN1081
CN101	(A,16,58) Connector	CKS4808
CN701	(A,25,29) Connector	CKS6146

RESISTORS

R 101	(B,6,57)	RS1/10SR2R4J
R 102	(B,8,57)	RS1/10SR2R4J
R 103	(B,9,57)	RS1/10SR2R7J
R 108	(B,18,55)	RS1/16SS105J
R 109	(B,12,50)	RS1/16SS222J

R 201	(A,24,11)	RS1/16SS0R0J
R 202	(A,23,9)	RS1/16SS0R0J
R 214	(B,18,28)	RS1/16SS103J
R 215	(B,17,28)	RS1/16SS393J
R 216	(B,12,35)	RS1/16SS122J

R 217	(B,10,32)	RS1/16SS562J
R 218	(B,10,35)	RS1/16SS472J
R 229	(B,12,34)	RS1/16SS471J
R 232	(A,31,54)	RS1/16SS0R0J
R 237	(B,33,45)	RS1/16SS221J

R 240	(B,34,40)	RS1/16SS473J
R 245	(A,34,46)	RS1/16SS104J
R 254	(A,37,56)	RS1/16SS104J
R 260	(B,30,27)	RS1/16SS103J
R 264	(A,22,9)	RS1/16SS102J

R 281	(B,33,38)	RS1/16SS560J
-------	-----------	--------------

1

2

3

4

5		6		7		8	
<u>Circuit Symbol and No.</u>		<u>Part No.</u>		<u>Circuit Symbol and No.</u>		<u>Part No.</u>	
R 282	(B,33,39)	RS1/16SS560J		C 710	(A,34,42)	CKSSYB102K50	
R 283	(B,35,38)	RS1/16SS0R0J					
R 291	(B,33,34)	RS1/16SS560J					
R 292	(B,33,36)	RS1/16SS0R0J					A
R 293	(B,35,39)	RS1/16SS0R0J					
R 294	(B,27,48)	RS1/16SS471J					
R 296	(B,34,43)	RS1/16SS0R0J					
R 301	(A,27,9)	RS1/16SS0R0J					
R 302	(A,28,9)	RS1/16SS0R0J					
R 303	(A,27,11)	RS1/16SS123J					
R 304	(A,28,11)	RS1/16SS123J					
R 305	(A,26,9)	RS1/16SS102J					
R 306	(A,26,11)	RS1/16SS472J					
R 307	(A,25,9)	RS1/16SS102J					
R 308	(A,25,11)	RS1/16SS472J					B
R 309	(A,35,6)	RS1/16SS473J					
R 310	(B,30,9)	RS1/16SS472J					
R 311	(B,30,10)	RS1/16SS472J					
R 312	(B,30,11)	RS1/16SS472J					
R 313	(B,30,12)	RS1/16SS472J					
R 701	(A,21,38)	RS1/16SS101J					
R 702	(A,23,38)	RS1/16SS101J					
R 706	(A,32,42)	RS1/16SS221J					
R 708	(B,28,26)	RS1/16SS0R0J					
R 709	(B,29,28)	RS1/16SS0R0J					C

CAPACITORS

C 104	(B,12,57)	CKSQYB475K6R3					
C 203	(B,22,47)	CKSSYB104K10					
C 209	(B,28,47)	CKSRYB104K16					
C 210	(B,33,43)	CKSSYB104K10					
C 211	(B,33,41)	CKSSYB104K10					
C 212	(B,22,28)	CKSSYB104K10					
C 213	(B,18,26)	CKSSYB332K50					
C 214	(B,17,26)	CKSSYB473K16					
C 215	(B,19,28)	CKSSYB104K10					D
C 216	(B,12,33)	CKSSYB182K50					
C 217	(B,10,34)	CCSSCH560J50					
C 218	(B,10,36)	CCSSCH4R0C50					
C 219	(B,14,34)	CKSSYB104K10					
C 220	(A,18,38)	CKSSYB104K10					
C 221	(B,14,32)	CKSSYB104K10					
C 222	(B,13,37)	CKSSYB104K10					
C 223	(B,12,42)	CCSSCH680J50					
C 224	(B,13,45)	CCSSCH470J50					
C 225	(B,13,46)	CKSSYB103K16					
C 228	(B,10,33)	CCSSCH270J50					E
C 229	(B,9,40)	CKSSYB104K10					
C 233	(B,32,46)	CKSSYB103K16					
C 236	(B,8,40)	CKSSYB104K10					
C 238	(A,25,44)	CKSRYB104K16					
C 299	(A,26,41)	CKSSYB104K10					
C 302	(B,28,12)	CKSSYB102K50					
C 303	(B,29,12)	CKSSYB102K50					
C 304	(B,27,12)	CKSSYB223K16					
C 305	(B,26,12)	CKSSYB104K10					
C 306	(A,31,7)	CKSSYB104K10					F
C 307	(A,41,19)	CKSRYB105K10					
C 308	(A,31,15)	CKSRYB105K10					