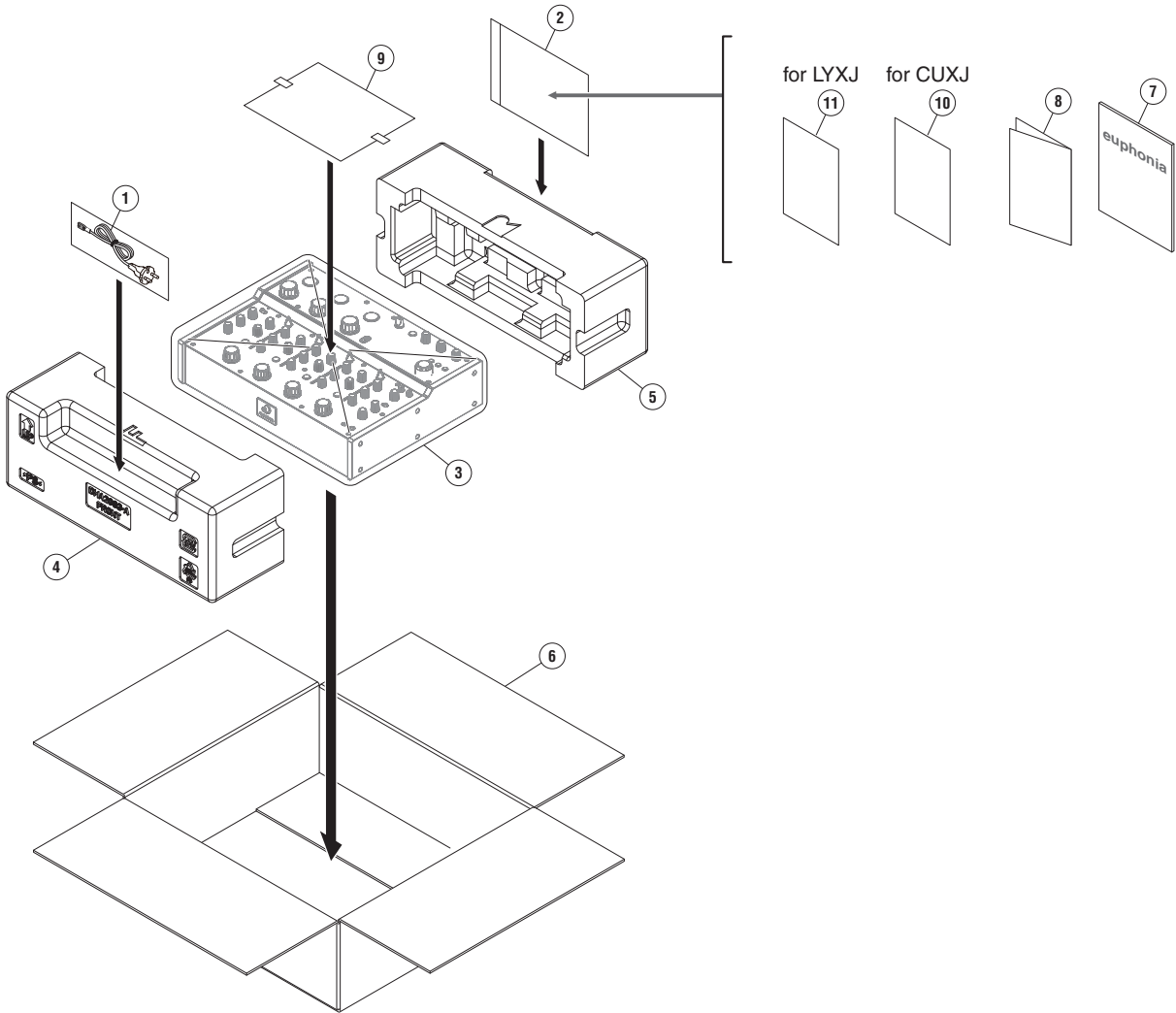


# 9. EXPLODED VIEWS AND PARTS LIST

- NOTES:
- Parts marked by "NSP" are generally unavailable because they are not in our Master Spare Parts List.
  - The  $\triangle$  mark found on some component parts indicates the importance of the safety factor of the part. Therefore, when replacing, be sure to use parts of identical designation.
  - Screws adjacent to  $\nabla$  mark on product are used for disassembly.
  - For the applying amount of lubricants or glue, follow the instructions in this manual. (In the case of no amount instructions, apply as you think it appropriate.)

## 9.1 PACKING SECTION



**(1) PACKING SECTION PARTS LIST**

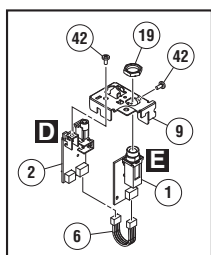
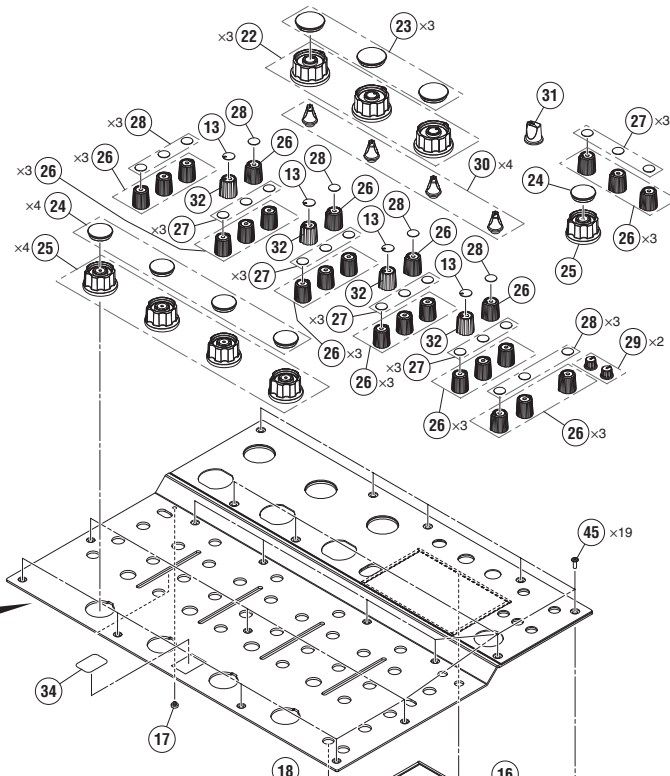
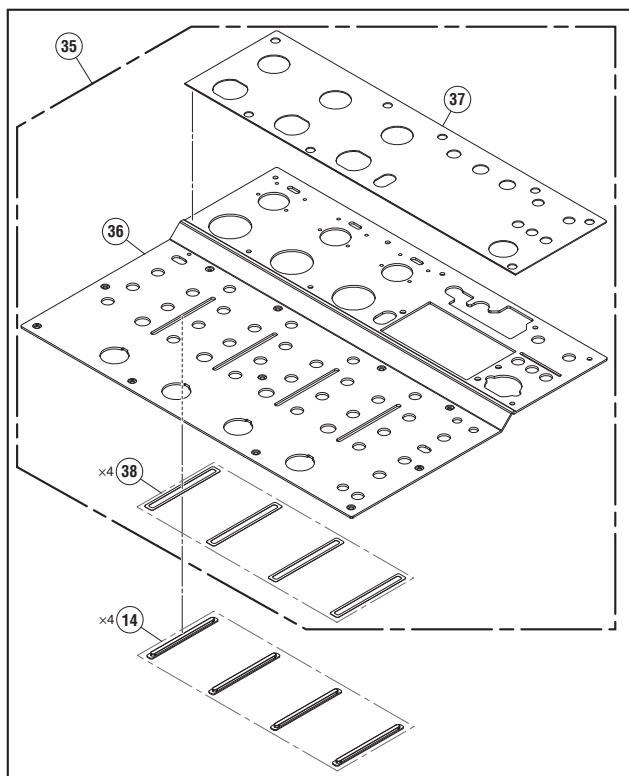
<u>Mark No.</u>	<u>Description</u>	<u>Part No.</u>
A	⚠ 1 Power cord	See Contrast table (2)
NSP	2 Polyethylene Bag	AHG7117
	3 Packing Sheet	RHC1023
	4 Packing Pad	DHA2063
	5 Packing Pad	DHA2064
	6 Packing Case	See Contrast table (2)
	7 Quick Start Guide	DRH1778
	8 Precautions for Use	DRH1777
NSP	9 Leaflet	DRH1797
NSP	10 Leaflet	See Contrast table (2)
B	NSP 11 Warranty	See Contrast table (2)

**(2) CONTRAST TABLE**

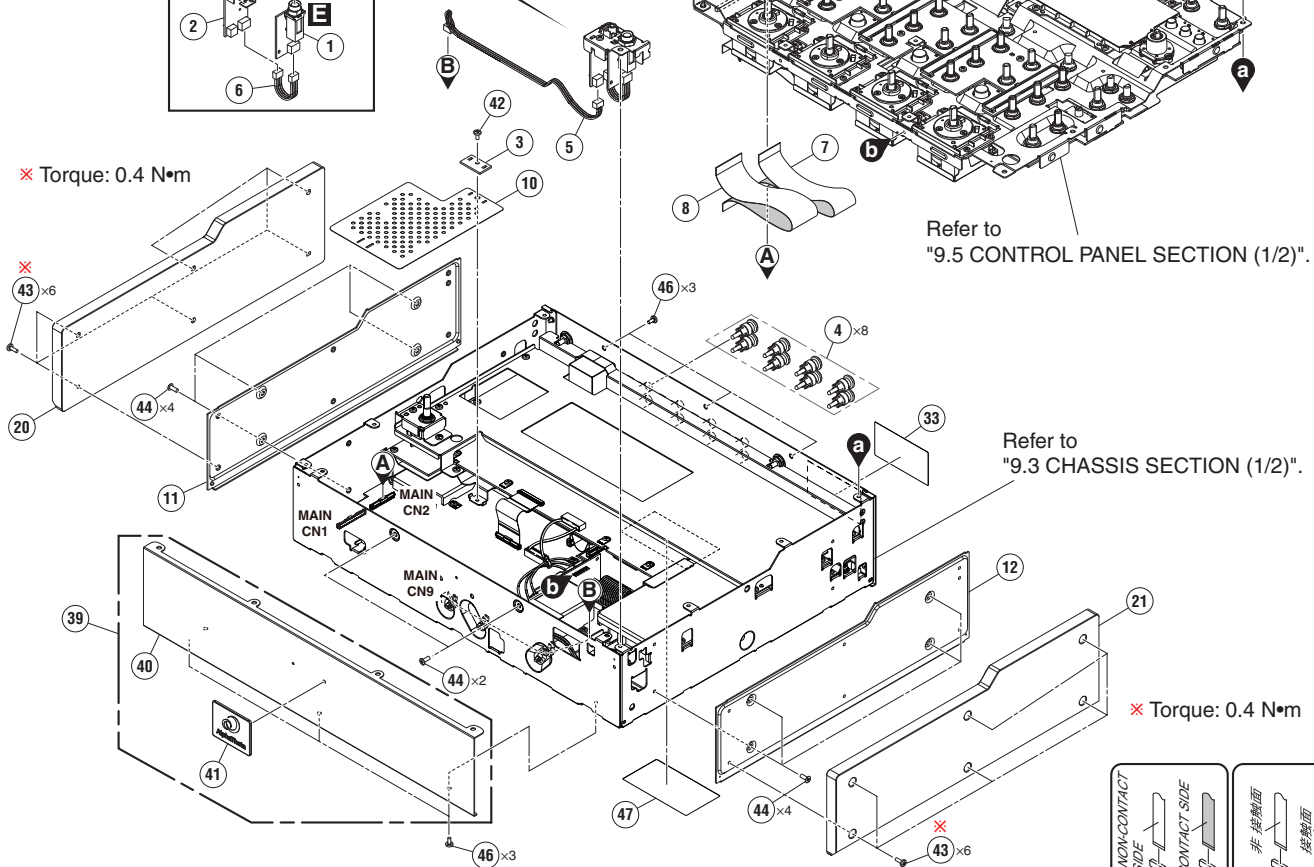
EUPHONIA/CUXJ and LYXJ are constructed the same except for the following:

Mark	No.	Symbol and Description	EUPHONIA/CUXJ	EUPHONIA/LYXJ
C	⚠ 1	Power cord	DDG1123	DDG1124
	6	Packing Case	DHG3901	DHG3942
	NSP 10	Leaflet	DRH1799	Not used
	NSP 11	Warranty	Not used	DRY1280

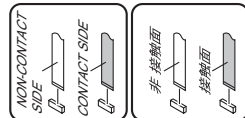
# 9.2 EXTERIOR SECTION



× Torque: 0.4 N•m



× Torque: 0.4 N•m



**(1) EXTERIOR SECTION PARTS LIST**

<u>Mark No.</u>	<u>Description</u>	<u>Part No.</u>	<u>Mark No.</u>	<u>Description</u>	<u>Part No.</u>
A	1 HPJK Assy	DWX4949	26	Knob	DAA1480
	2 HPJM Assy	DWX4950	27	Sheet	DAH3137
	3 BASE1 Assy	DWX4965	28	Sheet	DAH3211
	4 RCA Plug	DKM1026	29	Knob	DAA1420
	5 Parallel Jumper	PF03HH-D22A	30	Knob	DAA1415
	6 Parallel Jumper	PF04HH-D05A	31	Knob	DAA1481
	7 FFC	DDD2170	32	Knob	DAA1419
	8 FFC	DDD2171	NSP 33	Name Label	See Contrast table (2)
	9 Stay	DNG1199	NSP 34	Label	DRW3080
	10 Sheet	DEC4121	35	1..Control Panel Service Assy	DEA1178
B	11 Panel	DAH3427	NSP 36	2..Control Panel	DNB1292
	12 Panel	DAH3428	NSP 37	2..Panel	DAH3426
	13 Plate	DNG1133	NSP 38	2..DS Tape	DEH1151
	14 Lens	DNK7167	39	1..Front Panel Service Assy	DEA1179
	15 Cushion	DEC4117	NSP 40	2..Plate	DAH3429
	16 Cushion	DEC4198	NSP 41	2..Badge	DAM1108
	17 Lens	DNK4532	46	Screw	BBZ30P060FTB
	18 Holder	DNK6552	42	Screw	BBZ30P060FTC
	19 Nut	DBN1028	43	Screw	BMZ30P080FTB
C	20 Panel	DMM1019	44	Screw (FE)	DBA1290
			45	Screw	DBA1451
	21 Panel	DMM1020			
	22 Knob	DAA1479	46	Screw	BBZ30P060FTB
	23 Plate	DAH3424	NSP 47	Label	See Contrast table (2)
	24 Plate	DAH3425			
	25 Knob	DAA1478			

**(2) CONTRAST TABLE**

EUPHONIA/CUXJ and LYXJ are constructed the same except for the following:

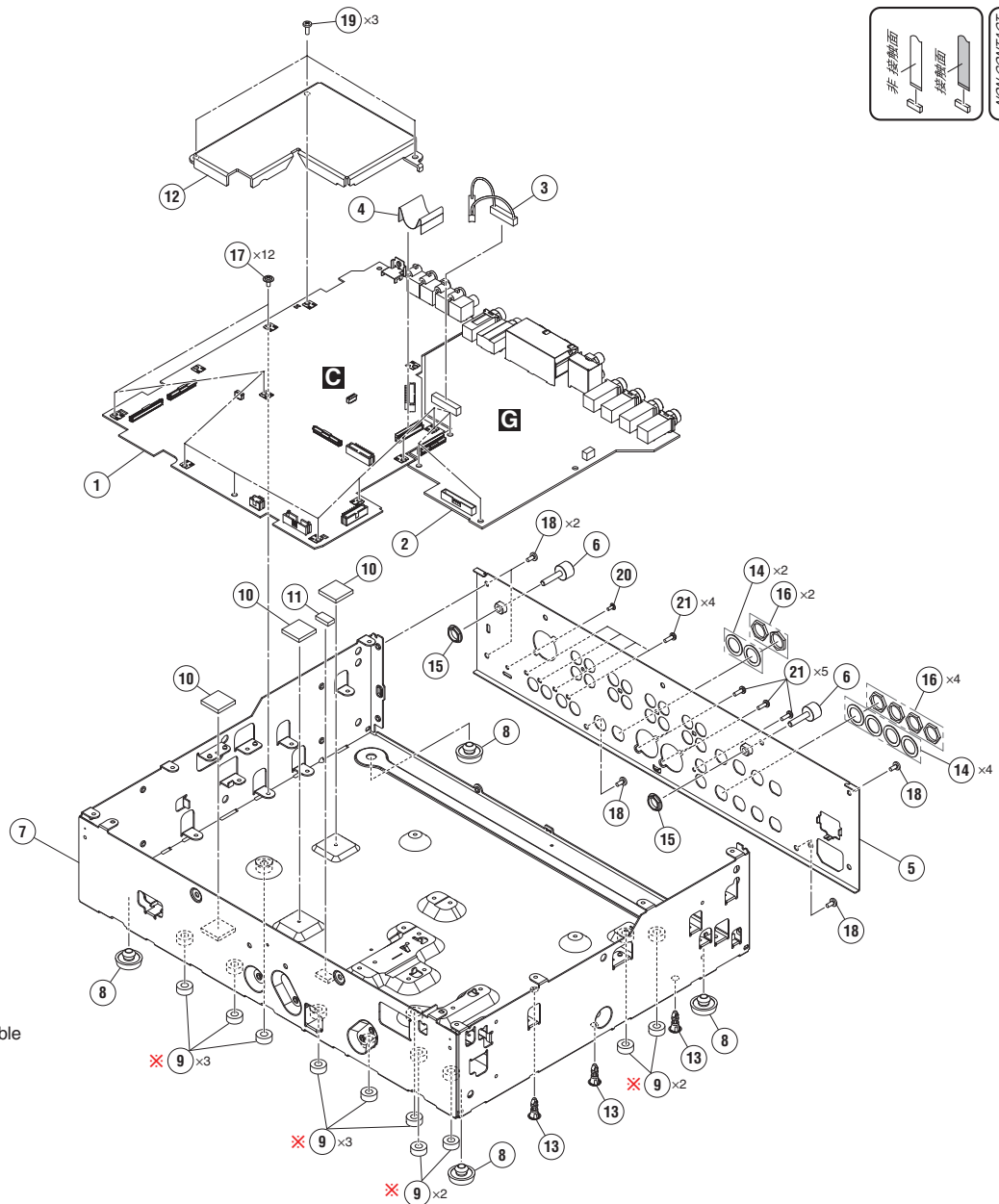
Mark	No.	Symbol and Description	EUPHONIA/CUXJ	EUPHONIA/LYXJ
NSP	33	Name Label	DAL1401	DAL1400
NSP	47	Label	DRW3100	DRW3099



## CHASSIS SECTION (1/2) PARTS LIST

<u>Mark No.</u>	<u>Description</u>	<u>Part No.</u>
A	1 AIN Assy	DWX4945
	2 MTRM Assy	DWX4946
	3 REGB Assy	DWX4947
	4 TRNS Assy	DWX5060
	5 PSWB Assy	DWX4964
	⚠ 6 SW POWER SUPPLY	DWR1597
	⚠ 7 AC Inlet	DKP3999
	8 Parallel Jumper	PF09HH-S07A
	9 Parallel Jumper	PF10HH-D05A
	10 Parallel Jumper	PF03HH-B07A
B	11 Crimp Connector	DDC1025
	12 Crimp Connector	DDC1056
	13 FFC	DDD2173
	14 Stay	DNG1200
NSP	15 PCB Stay (FE)	VNE2489
	16 Stay	DNG1202
	17 Power Knob Guard	DNK4534
	18 Shield Case	DNG1205
	19 Power Knob	DAC2306
C	20 Shield Case	DNG1206
	21 Heat Cond Sheet	DEB2020
	22 Cover	DNG1138
	23 Sheet	DEC3901
	24 Shield Case	DNF2100
	25 Stay	DNG1201
	26 Shield Plate	DNG1207
	27 Guard	DEC4151
	28 Guard	DEC4145
D	29 Shield Plate	DNF2101
	30 Cord Clamper	DEX1025
	31 Locking Mini Clamp	DEC2439
	32 Holder	VEC1355
	33 Binder	ZCA-SKB90BK
	34 Washer	DEC2920
	35 Nut (M12)	NKX2FNI
	36 Screw	BBZ30P060FTC
	37 Screw	BBZ30P080FTB
E	38 Screw	IBZ30P080FTB
	39 Screw	PMH40P080FTC
	40 Screw	PPZ30P080FTB

# 9.4 CHASSIS SECTION (2/2)



**Note ✕ :**  
AEB7092 is nonreusable  
to fix it with DS tape.

## CHASSIS SECTION (2/2) PARTS LIST

Mark No.	Description	Part No.	Mark No.	Description	Part No.
1	MAIN Assy	DWX4943	11	Sheet	DEC3621
2	AOUT Assy	DWX4948	12	Shield Case	DNG1215
3	Parallel Jumper	PF12HH-D05A	13	Spacer	DEC3850
4	FFC	DDD2172	14	Washer	DEC2920
5	Rear Panel	DNC2145	15	Flange Nut M9	DBN1008
6	Earth Terminal	DKE1019	16	Nut (M12)	NKX2FNI
7	Chassis	DNA1488	17	Screw	ABZ30P060FTC
8	Foot (Rubber)	REC-434	18	Screw	BBZ30P060FTB
NSP 9	Spacer	AEB7092	19	Screw	BBZ30P080FTB
10	Sheet	DEC3618	20	Screw (M3*5)	DBA1340
			21	Screw	PPZ30P080FTB

# 9.5 CONTROL PANEL SECTION (1/2)

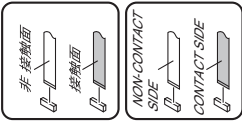
1

2

3

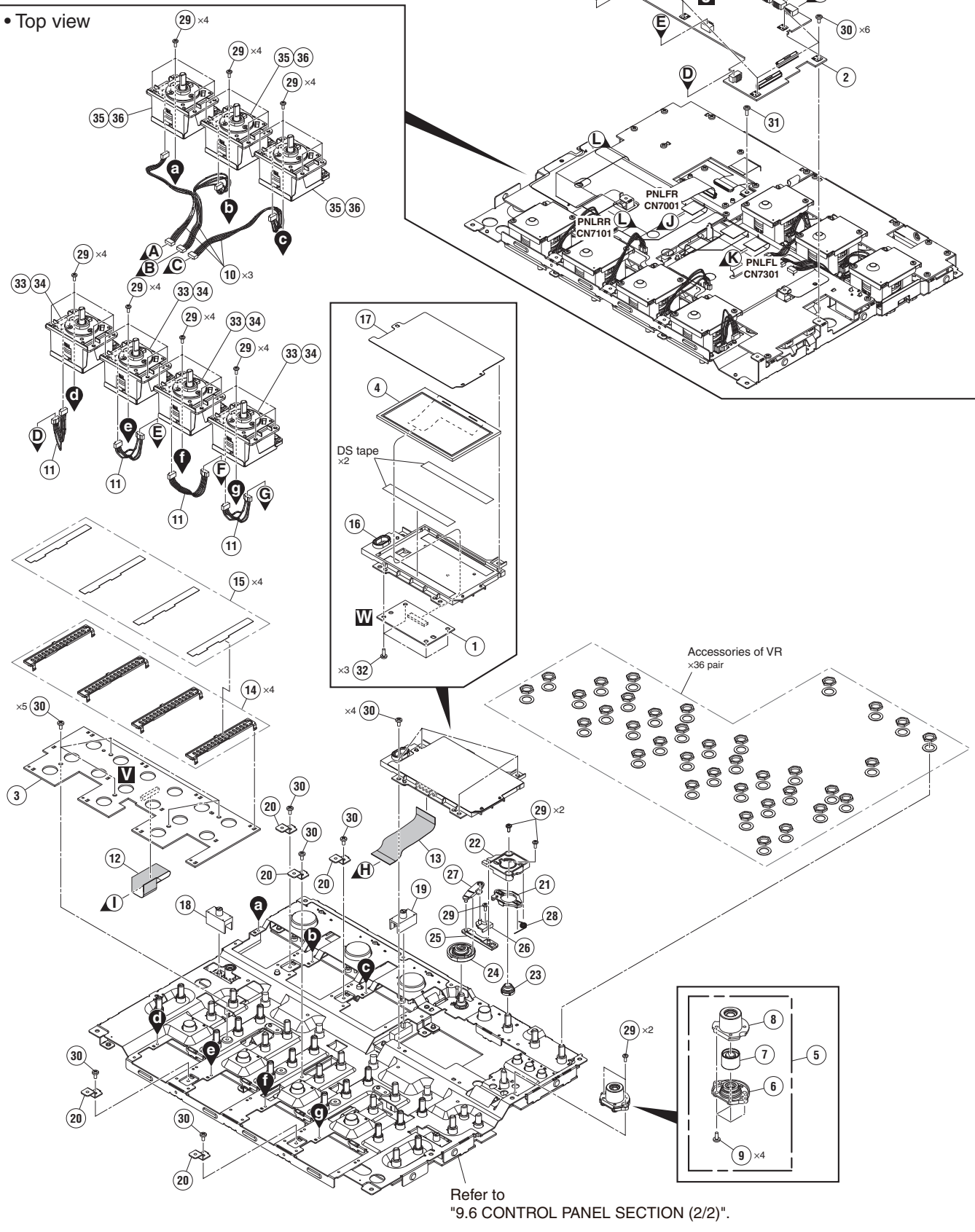
4

A



• Bottom view

• Top view



Refer to "9.6 CONTROL PANEL SECTION (2/2)".

1

2

3

4

5 6 7 8

## CONTROL PANEL SECTION (1/2) PARTS LIST

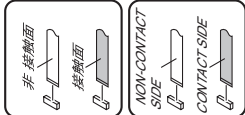
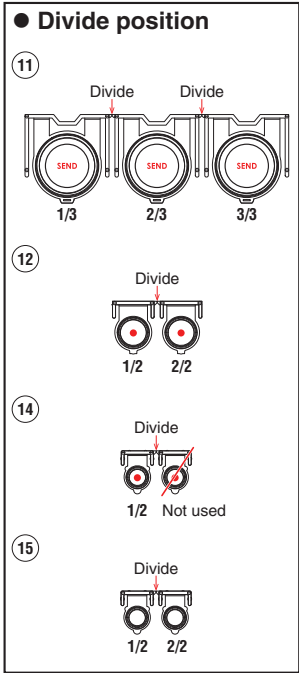
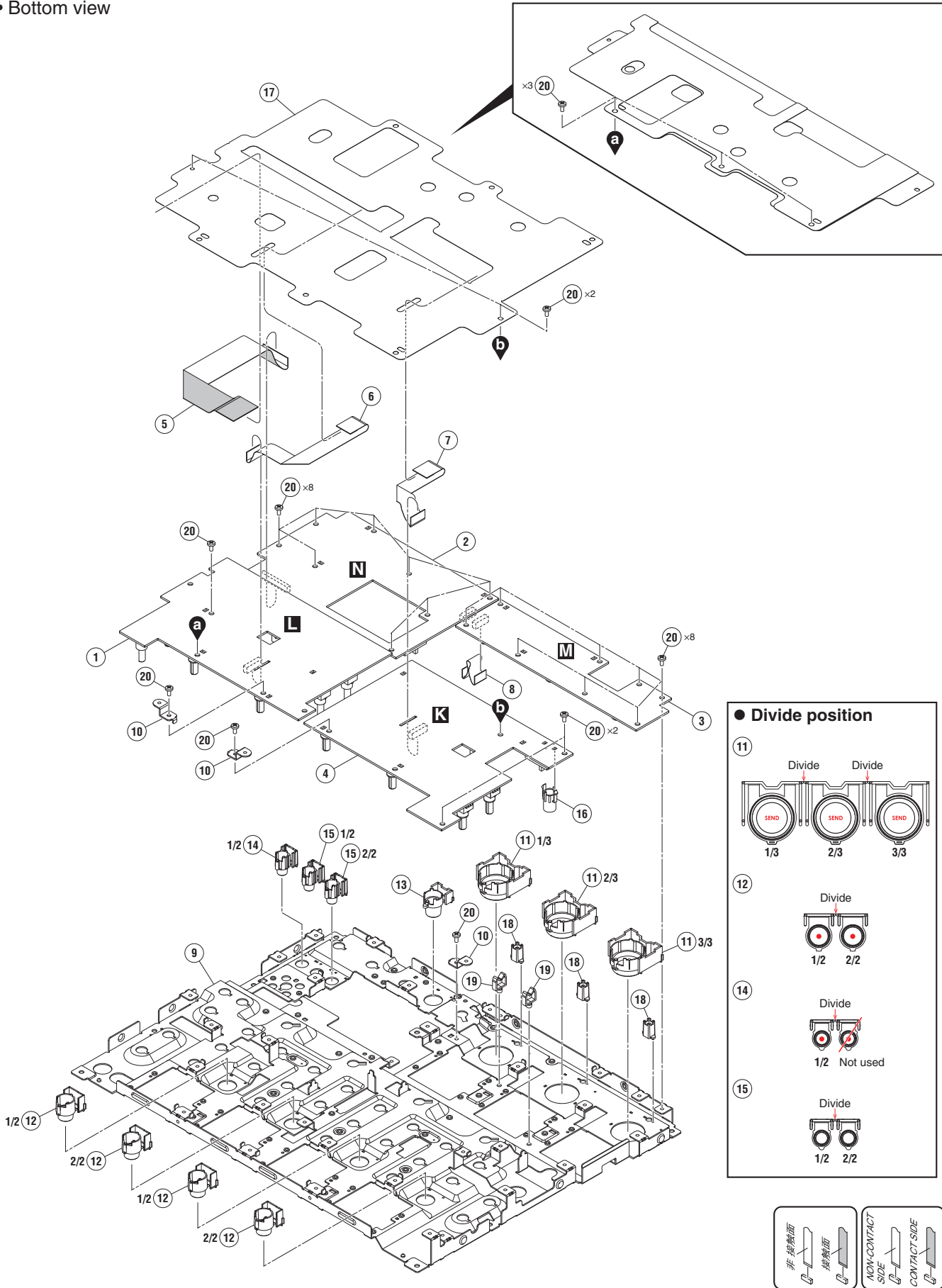
<u>Mark No.</u>	<u>Description</u>	<u>Part No.</u>	<u>Mark No.</u>	<u>Description</u>	<u>Part No.</u>
1	LCDB Assy	DWX4944	20	Stay	DNH3601
2	UCOM Assy	DWX4951			
3	LEDB Assy	DWX4952	21	Latch	DNK7134
4	TFT LCD	DWX4903	22	Cover	DNK7162
5	1..M-Level Service Assy	DEA1176	23	Sleeve	DNK7133
			24	Cam	DNK7163
			25	Link	DNK7165
NSP 6	2..Base	DNK7161			
NSP 7	2..Rotor	DNK7132			
NSP 8	2..Cover	DNK7159	26	Holder	DNK7164
9	2..Screw	BPZ26P060FTC	27	Link	DNK7166
10	Parallel Jumper	PF04HH-B15A	28	Torsion Spring	DBH1856
			29	Screw	BBZ26P060FTC
			30	Screw	BBZ30P060FTC
11	Parallel Jumper	PF04HH-B07A			
12	FFC	DDD2174			
13	FFC	DDD2175	31	Screw	BPZ30P080FTB
14	Holder	DNK7168	32	Screw	BPZ30P080FTC
15	Sheet	DEC4119	33	1..CHF Service Assy	DEA1170
			NSP 34	2..RVR* Assy	DWX****✘
16	Holder	DNK7169	35	1..ISO Service Assy	DEA1173
17	Sheet	DEC4120			
18	Cap	DAC3717	NSP 36	2..RVR* Assy	DWX****✘
19	Cap	DAC3716			

✘: One of RVR1 to 7 Assy is placed.

The 1 to 7 Assys of RVR Assys have the same circuitry, parts, and board shapes.

# 9.6 CONTROL PANEL SECTION (2/2)

A • Bottom view



## CONTROL PANEL SECTION (2/2) PARTS LIST

<u>Mark No.</u>	<u>Description</u>	<u>Part No.</u>	
1	PNLFR Assy	DWX4960	
2	PNLRR Assy	DWX4961	A
3	PNLRL Assy	DWX4962	
4	PNLFL Assy	DWX4963	
5	FFC	DDD2176	
6	FFC	DDD2177	
7	FFC	DDD2178	
8	FFC	DDD2179	
9	Stay	DND1323	
10	Stay	DNH3575	
11	Button	DAC3713	B
12	Button	DAC3714	
13	Button	DAC3715	
14	Button	DAC3491	
15	Button	DAC3500	
16	Holder	DNK6930	
17	Barrier	DEC4123	
18	Cover	DNK7170	
19	Holder	VEC1355	
20	Screw	BBZ30P060FTC	C

# 12. PCB PARTS LIST

NOTES: ● Parts marked by "NSP" are generally unavailable because they are not in our Master Spare Parts List.

● The  $\Delta$  mark found on some component parts indicates the importance of the safety factor of the part. Therefore, when replacing, be sure to use parts of identical designation.

● When ordering resistors, first convert resistance values into code form as shown in the following examples.

Ex.1 When there are 2 effective digits (any digit apart from 0), such as 560 ohm and 47 k ohm (tolerance is shown by J = 5%, and K = 10%).

560  $\Omega$  - 56  $\times 10^1$  - 561 ..... RD1/APU  $\boxed{5}$   $\boxed{6}$   $\boxed{7}$  J

47 k $\Omega$  - 47  $\times 10^3$  - 473 ..... RD1/APU  $\boxed{4}$   $\boxed{7}$   $\boxed{3}$  J

0.5  $\Omega$  - R50 ..... RN2H  $\boxed{R}$   $\boxed{5}$   $\boxed{0}$  K

1  $\Omega$  - 1R0 ..... RSIP  $\boxed{7}$   $\boxed{R}$   $\boxed{0}$  K

Ex.2 When there are 3 effective digits (such as in high precision metal film resistors).

5.62 k $\Omega$  - 562  $\times 10^1$  - 5621 ..... RN1/4PC  $\boxed{5}$   $\boxed{6}$   $\boxed{2}$   $\boxed{1}$  F

Mark	No.	Description	Part No.	Mark	No.	Description	Part No.
------	-----	-------------	----------	------	-----	-------------	----------

## LIST OF ASSEMBLIES

NSP	1..MOTHER ASSY	DWM2886
	2..MAIN ASSY	DWX4943
	2..LCDB ASSY	DWX4944

NSP	1..AINB ASSY	DWM2887
	2..AIN ASSY	DWX4945
	2..MTRM ASSY	DWX4946
	2..REGB ASSY	DWX4947

NSP	1..AOUTB ASSY	DWM2888
	2..AOUT ASSY	DWX4948
	2..HPJK ASSY	DWX4949
	2..HPJM ASSY	DWX4950
	2..TRNS ASSY	DWX5060

NSP	1..SUB ASSY	DWM2889
	2..UCOM ASSY	DWX4951
	2..LEDB ASSY	DWX4952

NSP	2..RVR1 ASSY	DWX4953
-----	--------------	---------

NSP	2..RVR2 ASSY	DWX4954
-----	--------------	---------

NSP	2..RVR3 ASSY	DWX4955
-----	--------------	---------

NSP	2..RVR4 ASSY	DWX4956
-----	--------------	---------

NSP	2..RVR5 ASSY	DWX4957
-----	--------------	---------

NSP	2..RVR6 ASSY	DWX4958
-----	--------------	---------

NSP	2..RVR7 ASSY	DWX4959
-----	--------------	---------

NSP	1..PNL1 ASSY	DWM2890
-----	--------------	---------

	2..PNLFR ASSY	DWX4960
--	---------------	---------

	2..PNLRR ASSY	DWX4961
--	---------------	---------

	2..PNLRL ASSY	DWX4962
--	---------------	---------

NSP	1..PNL2 ASSY	DWM2891
-----	--------------	---------

	2..PNLFL ASSY	DWX4963
--	---------------	---------

	2..PSWB ASSY	DWX4964
--	--------------	---------

$\Delta$	1..SW POWER SUPPLY	DWR1597
----------	--------------------	---------

Mark	No.	Description	Part No.
------	-----	-------------	----------

## AINB ASSY

Consists of

AIN ASSY

MTRM ASSY

REGB ASSY

# ABF

## AINB ASSY

### SEMICONDUCTORS

	IC 4001	TC7S208FUS2
	IC 4002-4004	TC7SH08FUS2
$\Delta$	IC 4005	LP5907MFX-4.5@V
$\Delta$	IC 4006	S-1170B33UC-OTS
	IC 4101-4103,4201-4203	LME49723MA

	IC 4104,4105,4204,4205	NE5532AD
	IC 4301-4303,4401-4403	LME49723MA
	IC 4304,4305,4404,4405	NE5532AD
NSP	IC 4501,4502	ES9842QPRO@V
	IC 4601,4602	NJM2068MD

	IC 4603,4604,4703	PCM1803ADB
	IC 4701,4702	NJM4580MD
$\Delta$	IC 4851	LM7915CT@V
$\Delta$	IC 4852	NJM7805FA
$\Delta$	IC 4853	NJM7815FA

	Q 4101,4102,4201,4202	HN1C01FUS1
	Q 4103,4104,4203,4204	2SK3320
	Q 4105,4205,4305,4405	MMBTSC1623YW
	Q 4301,4302,4401,4402	HN1C01FUS1
	Q 4303,4304,4403,4404	2SK3320

	Q 4701,4702	2SK209
D	4101-4104,4201-4204	DF2B18FU
D	4105,4205,4305,4405	1SS355L@V
D	4106-4109,4206-4209	RB548W
D	4301-4304,4401-4404	DF2B18FU

D	4306-4309,4406-4409	RB548W
D	4601-4604	DF2B18FU
D	4605-4608	RB548W
D	4701,4702,4854-4856	RB501VM-40

### MISCELLANEOUS

L	4701 CHIP SOLID INDUCTOR	XTL3010
JA	4101,4201,4301,4401 4P PIN JACK	DKB1090
JA	4601,4603 6.5 DIA JACK	DKN1700
JA	4602,4604 6.5 DIA JACK	DKN1699
JA	4701 XLR SOCKET	DKB1124

KN	4001-4004 EARTH TERMINAL	AKF7002
----	--------------------------	---------

Mark	No.	Description	Part No.	Mark	No.	Description	Part No.
A	RY 4101,4201,4301,4401	RELAY	DSR1023	R	4420,4421,4424,4425		RT0603DRD072K2L@V
	CN 4001	FFC/FPC CONNECTOR	CKS6645	R	4436-4439,4442-4445		RC0603DR-075K6L@V
	CN 4002	CONNECTOR	HWW-R1020-J1@V	R	4459		RT0603DRD071KL@V
	CN 4701	B TO B CONNECTOR	DKP3997				
	CN 4801	PLUG	CKS3533	R	4501,4513,4623,4626		RC0402JR-07100RL@V
	CN 4851	CONNECTOR	HWW-L0920-J1@V	R	4504,4505,4511,4516		RC0402JR-0710KL@V
	4601,4602	PHONE SHIELD	DNF1875	R	4509,4510,4514,4515		RC0402JR-070RL@V
	4701	SHIELD CASE	DNG1214	R	4517,4523		RC0402JR-0710KL@V
	VA 4101,4102,4201,4202	VARIATORS	EZJZ1V270RM	R	4519,4520		RC0402JR-0747RL@V
	VA 4301,4302,4401,4402	VARIATORS	EZJZ1V270RM	R	4521,4522,4618		RC0402JR-070RL@V
VA 4601,4602,4701-4704	VARIATORS	EZJZ1V270RM	R	4601-4604		RC0603DR-07100RL@V	
			R	4605-4608		RC0603DR-0747KL@V	
			R	4609-4612,4705-4707		RC0603DR-073K3L@V	
			R	4613-4616,4716		RC0603DR-071K8L@V	
<b>RESISTORS</b>							
B	R 4001,4002		RT0603DRD0768RL@V	R	4617,4619,4719		RC0402JR-07330RL@V
	R 4003-4005		RT0603DRD0722RL@V	R	4620-4622,4624,4625		RC0402JR-070RL@V
	R 4006,4020,4502,4503		RC0402JR-070RL@V	R	4628		RC0603JR-070RL@V
	R 4010-4019,4116,4118		RC0402JR-0747RL@V	R	4701-4704		RC0603JR-07100RL@V
	R 4022,4158,4159,4258		RT0603DRD071KL@V	R	4708,4711		RT0603DRD071K5L@V
	R 4101,4102,4201,4202		RC0603JR-07100RL@V	R	4709,4713		RT0603DRD074K7L@V
	R 4103,4104,4203,4204		RT0603DRD07100RL@V	R	4710		RC0603DR-07820RL@V
	R 4105,4205,4305,4405		RC0402JR-0718KL@V	R	4712		RC0402JR-07150RL@V
	R 4106,4206,4306,4406		RC0603JR-072KL@V	R	4714		RC0603DR-073K3L@V
	R 4107,4108,4207,4208		RC0603JR-071K2L@V	R	4715		RC0603JR-07220KL@V
C	R 4109,4209,4309,4409		RC0402JR-07470RL@V	R	4717		RC0603DR-0716KL@V
	R 4110,4113,4210,4213		RT0603DRD07470RL@V	R	4718		RC0603DR-07220RL@V
	R 4111,4112,4211,4212		RT0603DRD0747KL@V	R	4720-4722		RC0402JR-070RL@V
	R 4114,4115,4214,4215		RT0603DRD071K2L@V	R	4723		RC0402JR-07100RL@V
	R 4117,4119,4217,4219		RT0603DRD07220RL@V	VR	4801	ROTARY VR	DCS1123
	R 4120,4121,4124,4125		RT0603DRD072K2L@V				
	R 4122,4123,4222,4223		RC0603DR-0747KL@V				
	R 4126,4127,4226,4227		RT0603DRD0791KL@V				
	R 4128,4129,4228,4229		RT0603DRD077K5L@V				
	R 4134,4234,4334,4434		RC0402JR-071KL@V				
D	R 4135,4235,4335,4435		RC0402JR-0710KL@V				
	R 4136-4139,4142-4145		RC0603DR-075K6L@V				
	R 4140,4141,4240,4241		RC0603DR-07330KL@V				
	R 4146-4149,4246-4249		RC0603DR-071K6L@V				
	R 4150-4153,4250-4253		RC0603DR-07330RL@V				
	R 4154-4157,4254-4257		RC0603JR-07220RL@V				
	R 4216,4218,4316,4318		RC0402JR-0747RL@V				
	R 4220,4221,4224,4225		RT0603DRD072K2L@V				
	R 4236-4239,4242-4245		RC0603DR-075K6L@V				
	R 4259,4358,4359,4458		RT0603DRD071KL@V				
E	R 4301,4302,4401,4402		RC0603JR-07100RL@V				
	R 4303,4304,4403,4404		RT0603DRD07100RL@V				
	R 4307,4308,4407,4408		RC0603JR-071K2L@V				
	R 4310,4313,4410,4413		RT0603DRD07470RL@V				
	R 4311,4312,4411,4412		RT0603DRD0747KL@V				
	R 4314,4315,4414,4415		RT0603DRD071K2L@V				
	R 4317,4319,4417,4419		RT0603DRD07220RL@V				
	R 4320,4321,4324,4325		RT0603DRD072K2L@V				
	R 4322,4323,4422,4423		RC0603DR-0747KL@V				
	R 4326,4327,4426,4427		RT0603DRD0791KL@V				
F	R 4328,4329,4428,4429		RT0603DRD077K5L@V				
	R 4336-4339,4342-4345		RC0603DR-075K6L@V				
	R 4340,4341,4440,4441		RC0603DR-07330KL@V				
	R 4346-4349,4446-4449		RC0603DR-071K6L@V				
	R 4350-4353,4450-4453		RC0603DR-07330RL@V				
	R 4354-4357,4454-4457		RC0603JR-07220RL@V				
	R 4416,4418,4507,4508		RC0402JR-0747RL@V				
				C	4003,4529,4559 (0.1 uF)		DCE1072
				C	4004		0402B102K500CT
				C	4006-4009,4020		0402B104K160CT
			C	4010		1206X106K250CT	
			C	4013,4015,4502,4532 (0.033 uF)		DCE1041	
			C	4014,4018,4139,4140 (220 uF/25 V)		DCH1358	
			C	4016 (1000 pF)		ACE7099	
			C	4017 (0.1 uF)		CCG1321	
			C	4019,4149-4152 (100 uF/25 V)		DCH1357	
			C	4021,4024,4516,4546 (1 uF)		DCG1109	
			C	4022,4023,4515,4524		0805X475K250CT	
			C	4101,4103,4201,4203		0603N102J500CT	
			C	4102,4104,4137,4138		0603B103K500CT	
			C	4107,4108,4207,4208 (1000 pF)		DCG1094	
			C	4109,4110,4113,4114		0402N221J500CT	
			C	4111,4112,4211,4212 (100 pF)		DCG1082	
			C	4117,4118,4217,4218 (220 uF/25 V)		DCH1369	
			C	4119,4120,4219,4220		0603B223K500CT	
			C	4127,4128,4227,4228 (0.033 uF)		DCE1028	
			C	4129,4134,4229,4234 (0.047 uF)		DCE1070	
			C	4135,4136,4235,4236 (0.01 uF)		ACE7097	
			C	4145,4146,4157-4160		0603B104K500CT	
			C	4147,4148,4239,4240 (220 uF/25 V)		DCH1358	
			C	4153-4156,4253-4256 (560 pF)		DCG1091	
			C	4161,4162,4261,4262 (2200 pF)		DCG1098	
			C	4163,4263,4363,4463 (0.01 uF)		DCG1101	
			C	4164,4264,4364,4464 (10 uF/50 V)		DCH1377	
			C	4202,4204,4237,4238		0603B103K500CT	
			C	4209,4210,4213,4214		0402N221J500CT	
			C	4245,4246,4257-4260		0603B104K500CT	

**CAPACITORS**

Mark	No.	Description	Part No.	Mark	No.	Description	Part No.
C	4247,4248,4339,4340	(220 uF/25 V)	DCH1358				
C	4249-4252,4349-4352	(100 uF/25 V)	DCH1357	C	4756		0603N101J500CT
C	4301,4303,4401,4403		0603N102J500CT	C	4757		0603N102J500CT
C	4302,4304,4337,4338		0603B103K500CT	C	4758		0603B103K500CT
C	4307,4308,4407,4408	(1000 pF)	DCG1094	C	4851,4853,4855	(1 uF)	DCG1109
				C	4852	(2.2 uF)	DCG1110
C	4309,4310,4313,4314		0402N221J500CT				
C	4311,4312,4411,4412	(100 pF)	DCG1082	C	4854,4856	(0.1 uF)	DCG1104
C	4317,4318,4417,4418	(220 uF/25 V)	DCH1369				
C	4319,4320,4419,4420		0603B223K500CT				
C	4327,4328,4427,4428	(0.033 uF)	DCE1028				
C	4329,4334,4429,4434	(0.047 uF)	DCE1070				
C	4335,4336,4435,4436	(0.01 uF)	ACE7097				
C	4345,4346,4357-4360		0603B104K500CT				
C	4347,4348,4439,4440	(220 uF/25 V)	DCH1358				
C	4353-4356,4453-4456	(560 pF)	DCG1091				
C	4361,4362,4461,4462	(2200 pF)	DCG1098				
C	4402,4404,4437,4438		0603B103K500CT				
C	4409,4410,4413,4414		0402N221J500CT				
C	4445,4446,4457-4460		0603B104K500CT				
C	4447,4448,4530,4560	(220 uF/25 V)	DCH1358	⚠	IC 1,407		NJM78M09DL1A
C	4449-4452,4501,4531	(100 uF/25 V)	DCH1357		IC 2,601,701		S-80930CNMC-G80
C	4503,4533,4647,4648		0402B103K500CT	⚠	IC 201		BD9E302EFJ@V
C	4505,4508,4511,4518		0603B103K500CT	⚠	IC 202-204		BD9328EFJ
C	4506,4509,4512,4519		0603N102J500CT	⚠	IC 205		NJM2374AM
C	4507,4510,4513,4520		0603N101J500CT	⚠	IC 206		MM3479A25P
C	4514,4517,4525,4526	(1000 pF)	DCG1094	⚠	IC 207		BD2226G
C	4521,4535,4538,4541		0603B103K500CT	⚠	IC 208,406		S-1170B33UC-OTS
C	4522,4536,4539,4542		0603N102J500CT	⚠	IC 209,403-405		UA78M331KVUG3
C	4523,4537,4540,4543		0603N101J500CT	⚠	IC 401,402		BD9851EFV
C	4544,4547,4555,4556	(1000 pF)	DCG1094	NSP	IC 602		MIMXRT1052DVJ6B@V
C	4545,4554		0805X475K250CT		IC 702		DYW2343*
C	4548,4551,4603,4604		0603B103K500CT		*Part number of the initial firmware equipped		
C	4549,4552,4601,4602		0603N102J500CT	⚠	IC 901		TPS65911AA2NMA@V
C	4550,4553,4651,4654		0603N101J500CT	NSP	IC 1001		66AK2G12ABYA100
C	4605-4608,4732		0402N101J500CT	⚠	IC 1401		LP2996AMR
C	4609-4612,4708,4709		0402N102J500CT	NSP	IC 1402,1403		W631GU6NB-11@V
C	4617-4620,4716,4717		0603B104K500CT		IC 1501,1504,1506,1801		TC7SH08FUS2
C	4621,4622,4707,4710	(100 uF/25 V)	DCH1357		IC 1502		DYW2344*
C	4627-4630,4741,4742	(10 uF/50 V)	DCH1377		*Part number of the initial firmware equipped		
C	4631,4632,4639,4640	(22 uF/50 V)	DCH1378		IC 1503,2001		TC7SZ08FUS2
C	4633,4634,4645,4646	(47 uF/50 V)	DCH1379		IC 1505,2006		74VHC08FT@V
C	4635-4638,4641-4644		0402B104K160CT		IC 2003,2007		TC74LCX08FK
C	4649,4652,4655,4658		0603B103K500CT		IC 2004,2005,2010,2011		TC7SH08FUS2
C	4650,4653,4656,4659		0603N102J500CT		IC 2008,2009		74VHC163FT
C	4657,4660,4663,4721		0603N101J500CT		IC 2402		NJM2068MD
C	4661,4702,4751,4754		0603B103K500CT		IC 2403		PCM1789PWR@V
C	4662,4701,4720,4722		0603N102J500CT		IC 2404		NE5532AD
C	4703,4704		0603N222J500CT		IC 2505,2506,2701,2702		TC7WU04FUS1@V
C	4711		0402N471J500CT		IC 2507,2508,2703,2704		PCM9211PT@V
C	4712,4718		0402N821J500CT		IC 2509,2510,2705,2706		CS8421-CZ
C	4714,4750		0402B103K500CT		Q 1		LDTCL43EE
C	4719		KRN106M035A5C11K		Q 201		RT3N22M
C	4723,4725,4727,4729		0603N101J500CT	⚠	Q 202		RTQ040P02
C	4724,4726,4728,4730		0603N102J500CT		Q 203		LTC114YUB
C	4731,4735,4737,4753		0603N101J500CT		Q 204,406		RTQ040P02
C	4734,4736,4752,4755		0603N102J500CT		Q 205,208-212,215		LSAR523UB
C	4739,4740		0603B104K500CT		Q 213,217-219,2401		LSCR523UB
C	4743,4746-4748		0402B104K160CT		Q 216,702,2402,2404		LSAR523UB
C	4744,4749	(47 uF/50 V)	DCH1379		Q 220		LTC014YEB
C	4745	(10 uF/50 V)	DCH1377	⚠	Q 401,407		NTGS5120P
				⚠	Q 402,404		RSQ030P03
				⚠	Q 403,408		RSQ045N03

**MOTHER ASSY**

**Consists of  
MAIN ASSY  
LCDB ASSY**

**C W  
MOTHER ASSY  
SEMICONDUCTORS**

⚠	IC 1,407	NJM78M09DL1A
	IC 2,601,701	S-80930CNMC-G80
⚠	IC 201	BD9E302EFJ@V
⚠	IC 202-204	BD9328EFJ
⚠	IC 205	NJM2374AM
⚠	IC 206	MM3479A25P
⚠	IC 207	BD2226G
⚠	IC 208,406	S-1170B33UC-OTS
⚠	IC 209,403-405	UA78M331KVUG3
⚠	IC 401,402	BD9851EFV
NSP	IC 602	MIMXRT1052DVJ6B@V
	IC 702	DYW2343*
	*Part number of the initial firmware equipped	
⚠	IC 901	TPS65911AA2NMA@V
NSP	IC 1001	66AK2G12ABYA100
⚠	IC 1401	LP2996AMR
NSP	IC 1402,1403	W631GU6NB-11@V
	IC 1501,1504,1506,1801	TC7SH08FUS2
	IC 1502	DYW2344*
	*Part number of the initial firmware equipped	
	IC 1503,2001	TC7SZ08FUS2
	IC 1505,2006	74VHC08FT@V
	IC 2003,2007	TC74LCX08FK
	IC 2004,2005,2010,2011	TC7SH08FUS2
	IC 2008,2009	74VHC163FT
	IC 2402	NJM2068MD
	IC 2403	PCM1789PWR@V
	IC 2404	NE5532AD
	IC 2505,2506,2701,2702	TC7WU04FUS1@V
	IC 2507,2508,2703,2704	PCM9211PT@V
	IC 2509,2510,2705,2706	CS8421-CZ
	Q 1	LDTCL43EE
	Q 201	RT3N22M
⚠	Q 202	RTQ040P02
	Q 203	LTC114YUB
	Q 204,406	RTQ040P02
	Q 205,208-212,215	LSAR523UB
	Q 213,217-219,2401	LSCR523UB
	Q 216,702,2402,2404	LSAR523UB
	Q 220	LTC014YEB
⚠	Q 401,407	NTGS5120P
⚠	Q 402,404	RSQ030P03
⚠	Q 403,408	RSQ045N03

Mark	No.	Description	Part No.	Mark	No.	Description	Part No.
	Q	405	LTC014EEB				
	Q	701,703	LTA024EEB	CN 9		CONNECTOR	HWW-SL0320-J1@V
A	Q	704,1501,1902	MMBTRC403E	CN 3001		FFC/FPC CONNECTOR	CKS6644
	Q	901	CSD87330Q3D	VA	1801,1802	VARIABLE RESISTOR	AVRH10C101K1R1NE@V
	Q	1201,1801,1802	LTC024EEB	<b>RESISTORS</b>			
	Q	1202	ISA1602AM1	R	1,2,4-41		RC0402JR-070RL@V
	Q	1203-1205	LDTC123JE	R	57		RC0402DR-0720KL@V
	Q	1206,1207	2SB1188	R	58,68,222,228		RC0402JR-070RL@V
	Q	1803,1804	INC2002AC1	R	59,226,402,412		RC0402DR-0710KL@V
				R	70,201,317		RC0603JR-070RL@V
	Q	1901,2303-2305,2311	LTC124EUB	R	202,215-217,238		RC0402JR-07100KL@V
	Q	2306,2307	LSC4081UB	R	207		RC0402DR-076K8L@V
	Q	2308-2310	LSA1576UB	R	208,209		RC0805JR-071RL@V
	Q	2312	LTA124EUB	R	211		RC0402DR-0775KL@V
B	Q	2313,2410	LTC124EUB	R	212,271		RC0402DR-0724KL@V
	Q	2403,2409	LSCR523UB				
	Q	2405,2407	2SCR573D3	R	213,214		RC0603JR-071K8L@V
	Q	2406,2408	2SAR573D3	R	218-220,447		RC0402DR-071KL@V
	Q	2411,2412	LSAR523UB	R	221,227,1275		RC0402DR-0782KL@V
	D	201	RB162MM-40TF	R	223,229,308,2570		RC0402DR-0718KL@V
				R	224,403,416,428		RC0402DR-0730KL@V
	D	202	UDZV7R5				
	D	203,206,207	1SS355L@V	R	225,2569,2572,2756		RC0402DR-072K2L@V
	D	213-219,221,222	1SS355L@V	R	230,287,1590		RC0402JR-073K3L@V
	D	226-228,406	1SS355L@V	R	232,1273		RC0402DR-072KL@V
	D	401-405	RB162MM-40TF	R	233,246,291		RC0402JR-0733KL@V
C				R	234,282,290,306		RC0402JR-074K7L@V
	D	410	RB501VM-40				
	D	701,1501,1901	FC-1608SXXK630D08	R	235,286,292,293		RC0402JR-072K2L@V
	D	1801,1802	DF2B5M4CT@V	R	239,280,302,318		RC0402JR-0710KL@V
	D	2401-2405	1SS355L@V	R	243,247,253,256		RC0402JR-070RL@V
	D	2501,2502,2701,2702	DF2B18FU	R	248,2424		RC0402JR-07220KL@V
				R	252,704,712,714		RC0402JR-071KL@V
				R	254,1270		RC0402DR-0722KL@V
				R	255		RC0402JR-0736KL@V
				R	259,269,272,273		RC0402JR-070RL@V
				R	270		RC0402DR-07110KL@V
				R	275,278,279,281		RC0402JR-070RL@V
				R	276,309		RC0402DR-0739KL@V
				R	277		RC0402DR-0716KL@V
				R	283		RC0402JR-072K7L@V
				R	284,288,294,298		RC0402JR-070RL@V
				R	289,305,439		RC0402JR-075K1L@V
				R	299,312,313		RC0402DR-074K7L@V
				R	300,449		RC0402DR-073K9L@V
				R	301,304,307,310		RC0402JR-070RL@V
				R	303,601,701,715		RC0402JR-0747KL@V
NSP	JA	1801	USB JACK	R	311,314,315		RC0402JR-070RL@V
				R	319,1502,1520,1535		RC0402JR-0722RL@V
E	KN	1-9	WRAPPING TERMINAL	R	321-324,331,410		RC0402JR-070RL@V
	KN	11,3001	WRAPPING TERMINAL	R	325		RT0603DRD071KL@V
	KN	1801	SUPPORT	R	330		RC0402DR-0733KL@V
	RY	2401	RELAY	R	401,411,415,440		RC0402DR-0715KL@V
	X	701	RESONATOR (24 MHz)	R	404,417,434,442		RC0402DR-0768KL@V
	X	1501	CRYSTAL OSCILLATOR (24 MHz)	R	406		RC0402DR-07180KL@V
NSP	X	2001	OSCILLATOR (24.576 MHz)	R	409,438		RC0402DR-075K1L@V
	CN	1	FFC/FPC CONNECTOR	R	413		RC0402DR-0747KL@V
	CN	2,3,3002	CONNECTOR	R	418,433		RC0402DR-076K2L@V
	CN	4	CONNECTOR	R	419,718,720,723		RC0402JR-070RL@V
F	CN	5	CONNECTOR	R	420		RC0402DR-07220RL@V
	CN	6	CONNECTOR	R	421,429,432		RT0603DRD0722RL@V
	CN	7	CONNECTOR	R	422,425,1267,1409		RC0402JR-074K7L@V
	CN	8	FFC/FPC CONNECTOR	R	423,436,444,1271		RC0402DR-0710KL@V

Mark	No.	Description	Part No.	Mark	No.	Description	Part No.
				R	1583-1585,1591,1592		RC0402JR-0722RL@V
R	424		RC0603JR-07100RL@V				
R	426		RC0603JR-0712RL@V	R	1594-1596,1598,1599		RC0402JR-073K3L@V
R	427,431,445,448		RC0402JR-0710KL@V	R	1603-1606,1813,1912		RC0402JR-070RL@V
R	437		RC0402DR-07150KL@V	R	1609,1909,1914,1915		RC0402JR-0747RL@V
R	441		RC0402DR-0730KL@V	R	1610,1611,1616,2002		RT0603DRD0756RL@V
				R	1612,1613,1620-1627		RC0402JR-0722RL@V
R	446		RC0402DR-0756KL@V				
R	451,727,729,739		RC0402JR-07100KL@V	R	1615,1801,1802		RC0402JR-0710KL@V
R	602,703,719,721		RC0402JR-07100RL@V	R	1629,2014-2019,2021		RC0402JR-0722RL@V
R	702,705-711,722		RC0402JR-0756RL@V	R	1804-1807,1810-1812		RC0402JR-0710KL@V
R	713		RC0402JR-0727KL@V	R	1808,1809		RC0603DR-075K1L@V
				R	1817,1818		RC0402FR-07200RL@V
R	716,2305,2306,2311		RC0402JR-0722KL@V				
R	717		RC0603JR-072M2L@V	R	1819,1820,1902-1908		RC0402JR-0710KL@V
R	724,728,769,771		RC0402JR-0756RL@V	R	1821		RC0402FR-073KL@V
R	725,742,777		RAB4CQ103J	R	1910,1911,1917,1919		RC0402JR-0710RL@V
R	726,735,737,741		RC0402JR-070RL@V	R	1913,1916,1918,1920		RC0402JR-070RL@V
				R	1921,1927-1931		RC0402JR-070RL@V
R	731,736,754,756		RC0402JR-0710KL@V				
R	733,734,740,747		RC0402JR-0747KL@V	R	1923,1924,2022		RC0402JR-0747RL@V
R	744,745,748,1513		RC0402JR-07100KL@V	R	1925,1926,1932-1937		RC0402JR-0710KL@V
R	751,788,2307,2308		RC0402JR-0747KL@V	R	1938,1939,2506,2507		RC0402JR-0710RL@V
R	762,765,766,906		RC0402JR-0710KL@V	R	1940,1948,2425,2542		RC0402JR-0710KL@V
				R	1941-1947,1951,1952		RC0402JR-070RL@V
R	768,784,913,1410		RC0402JR-07100RL@V				
R	770,1522,1538-1542		RC0402JR-0747RL@V	R	2007,2008,2013		RT0603DRD0768RL@V
R	772,774,775		RC0402JR-0756RL@V	R	2012,2030,2035		RC0402JR-0768RL@V
R	778-783,785-787		RC0402JR-0756RL@V	R	2020,2055,2303,2523		RC0402JR-070RL@V
R	814,901-904,908		RC0402JR-070RL@V	R	2023,2024,2036-2043		RC0402JR-0722RL@V
				R	2025-2028,2031-2033		RC0402JR-0747RL@V
R	907		RC0402JR-0712KL@V				
R	909,911,914,916		RC0402JR-0710KL@V	R	2044-2051		RC0603JR-0768RL@V
R	917,918		RC0805JR-070RL@V	R	2052,2053,2544-2547		RC0402JR-0722RL@V
R	919,1205-1223,1239		RC0402JR-0710KL@V	R	2309,2310		RC0402JR-07390KL@V
R	1001,1277-1279,1408		RC0402JR-070RL@V	R	2312,2313,2315,2316		RC0402JR-0711KL@V
				R	2314		RC0402JR-0722KL@V
R	1240,1243,1402-1405		RC0402JR-0710KL@V				
R	1241,1242,1253,1254		RC0402JR-07220RL@V	R	2317-2320,2508,2509		RC0402JR-0747KL@V
R	1244-1252,1256-1264		RC0402JR-07330RL@V	R	2321,2462,2463,2465		RC0603JR-0710KL@V
R	1255,1266		RAB4CQ472J	R	2408,2409,2414,2415		RC0603DR-073K3L@V
R	1268,2446,2447		RC0603JR-07100KL@V	R	2416,2418		RC1206JR-07390RL@V
				R	2417,2419		RC1206JR-07270RL@V
R	1269		RC0603JR-078K2L@V				
R	1272		RC0402DR-07100RL@V	R	2420-2423		RC0603JR-074K7L@V
R	1274		RC0402DR-072K7L@V	R	2426-2429		RC0603DR-071KL@V
R	1276		RC0402DR-0710RL@V	R	2430-2433		RC0603DR-071K2L@V
R	1406,1407,1412,1416		RC0402FR-07240RL@V	R	2434-2445		RC0805JR-0724RL@V
				R	2448-2451		RC0603DR-0713KL@V
R	1414,1526,1564,1566		RC0402JR-074K7L@V				
R	1415,1517,1518,1525		RC0402JR-07100RL@V	R	2452,2461,2516,2517		RC0402JR-072K2L@V
R	1418-1441		RC0402DR-0739RL@V	R	2453-2456		RC0603DR-0715KL@V
R	1501,1503,1504,1508		RC0402JR-0710KL@V	R	2457-2460		RC0603DR-076K8L@V
R	1507,1563,1614		RC0402JR-0756RL@V	R	2464,2466,2468,2469		RC0603JR-0747KL@V
				R	2467		RC0603JR-0710KL@V
R	1510,1515,1519,1527		RC0402JR-0710KL@V				
R	1514,1516,1521,1523		RC0402JR-07100KL@V	R	2501,2502,2701,2702		RC0402DR-0775RL@V
R	1524		RC0402JR-07100KL@V	R	2512,2521,2740,2747		RC0402JR-07470RL@V
R	1528,1531,1533,1537		RC0402JR-0710KL@V	R	2518,2519,2713,2714		RC0402JR-07680RL@V
R	1532,1562,1572		RC0402JR-070RL@V	R	2524,2765,2767		RC0402JR-070RL@V
				R	2526-2529,2538,2539		RC0402JR-07100RL@V
R	1536,1571,1576-1578		RC0402JR-0722RL@V				
R	1544-1548,1560		RC0402JR-0747RL@V	R	2530-2537,2540,2541		RAB4CQ103J
R	1549-1552		RC0402JR-07130RL@V	R	2543,2733,2734		RC0402JR-0710KL@V
R	1553,1554,1556,1557		RC0402JR-0710KL@V	R	2553,2556,2745,2748		RC0402JR-0747RL@V
R	1567,1589,1593,1600		RC0402JR-0710KL@V	R	2554,2557,2735,2736		RC0402JR-0722RL@V
				R	2562,2563,2568,2571		RC0402JR-0747KL@V
R	1568-1570,1573,1608		RC0402JR-0747RL@V				
R	1574,1922,2029,2407		RC0402JR-07100RL@V	R	2564,2565,2751,2752		RC0402FR-071KL@V
R	1575,1588,1618,1628		RC0402JR-074K7L@V	R	2566,2567,2753,2754		RC0402FR-07100KL@V
R	1581,1582,1814,1901		RC0402JR-071KL@V	R	2573,2757,2760		RC0402DR-0718KL@V

Mark	No.	Description	Part No.	Mark	No.	Description	Part No.
	R	2574,2575,2707,2708	RC0402JR-0747KL@V				
	R	2576,2577,2763,2764	RC0402FR-0727KL@V	C	402,431-433		0402X105K100CT
A	R	2579,2581,2766,2768	RC0402JR-07220RL@V	C	403,2433,2434		0402N151J500CT
	R	2705,2706	RC0402JR-0710RL@V	C	406,499-504,627		0402B103K500CT
	R	2711,2712	RC0402JR-072K2L@V	C	407,418		0402N391J500CT
	R	2717-2720,2729,2730	RC0402JR-07100RL@V	C	409		0402B223K160CT
	R	2721-2728,2731,2732	RAB4CQ103J	C	410,416,422,426		0805X106K250CT
	R	2738,2739,2743,2746	RC0402JR-0722RL@V	C	412		0402N561J500CT
	R	2749,2750,2755,2758	RC0402JR-0747KL@V	C	413,419		0805B104K500CT
	R	2759	RC0402DR-072K2L@V	C	414		0603X474K250CT
	R	2761,2762	RC0402JR-0747KL@V	C	415		0603B334K100CT
	R	3001-3006,3008,3010	RC0402JR-070RL@V	C	421,423		0603X105K250CT
B	R	3012-3034	RC0402JR-070RL@V	C	427,430,442,444		0805X106K250CT
				C	428,904,907,911		0805B105K250CT
				C	429,615,1005,1006		0402X105K160CT
				C	440,1002,2411,2412 (100 uF/16 V)		DCH1365
				C	445		1210X226K250CT
				C	452,457,463		1206X226K160CT
				C	453,456,710-712		0402N102J500CT
				C	458,617,619,704		0402N471J500CT
				C	459,476,485,926		0805X475K250CT
				C	460,461		0402X105K250CT
				C	466 (0.1 uF)		DCE1031
				C	469 (0.01 uF)		DCG1101
				C	470,473 (220 uF/25 V)		DCH1369
				C	477-479 (0.47 uF)		DCG1107
				C	488,494,2001 (0.1 uF)		DCG1104
				C	491 (47 uF/35 V)		DCH1364
				C	601,604,607,613		0603X475K100CT
				C	602,603,605,606		0402B104K160CT
				C	608-610,616,701		0402B104K160CT
				C	611,641		VGX226M016ANCO1K
				C	618,621,639,640		0603X475K100CT
				C	620,622-626		0402X224K160CT
				C	628-631,633		0402X224K160CT
				C	635-637,642-646		0402X224K160CT
				C	647,903,909,924		0603X475K100CT
				C	702		0402B473K160CT
				C	703,705,938,942		0402B103K500CT
				C	706		0402N471J500CT
				C	707,708		0402N5R0C500CT
				C	709,715,906,908		0402B104K160CT
				C	716,1519,1532,2003		0402N102J500CT
				C	901,902,917,920		0805X106K250CT
				C	912-915,918		0402B104K160CT
				C	921-923,925,928		0402B104K160CT
				C	929,931,932,934		0402B104K160CT
				C	930		0603X475K100CT
				C	933,936,941,944		0603X106K6R3CT
				C	935,937,947,954		0402B104K160CT
				C	943,945,949,952		0402B103K500CT
				C	948,950,958,964		0402B102K500CT
				C	951,957,1078		0603X225K250CT
				C	953,955,956,963		0402B103K500CT
				C	959,961,1011-1013		0402B104K160CT
				C	965,1008,1009		0402B103K500CT
				C	966,967		0603X475K160CT
				C	1001,1003,1004		VDV107M6R3ANE01K
				C	1010 (680 uF/6.3 V)		DCH1360
				C	1015-1017,1019-1025		0402B104K160CT
				C	966,967		0603X475K160CT
				C	1001,1003,1004		VDV107M6R3ANE01K
				C	1010 (680 uF/6.3 V)		DCH1360
				C	1015-1017,1019-1025		0402B104K160CT

**CAPACITORS**

C	2,5,19,43	0402B104K160CT
C	3	0402B103K160CT
C	8,474,475 (100 uF/25 V)	CCH2000
C	9,12,15,468 (0.01 uF)	DCG1101
C	18,29,44,46	0402N102J500CT
C	21,25 (0.1 uF)	DCE1072
C	22,51 (150 uF/16 V) DCH1356	
C	26,203,210-213	0603B104K500CT
C	27 (270 uF/16 V)	DCH1355
C	28,2005 (47 uF/16 V)	CCH1961
C	31,294,471 (0.47 uF)	DCG1107
C	32,33,36-41 (1 uF)	DCG1109
C	34,467,472,487 (0.1 uF)	DCG1104
C	47,274,293,301	0402B103K500CT
C	50 (0.033 uF)	DCE1041

C	52,282,285 (1 uF)	DCG1109
C	201,206-208	1206X106K250CT
C	204,215-217,225	0402N102J500CT
C	205,222-224	0402B104K160CT
C	214,455,462,2441	0805X106K160CT
C	218,446,447	0603B104K250CT
C	226,236,256-258	0402N102J500CT
C	227,2425,2427,2505	0603B103K500CT
C	228,438,441	0402B682K500CT
C	229,231,232	0603B153K500CT
C	240,259-261,268	0603B104K500CT
C	241-243,278,279	0402B104K160CT
C	244,246	0805X226M100CT
C	245,247,248	0402B153K160CT
C	251,927	0402N331J500CT

C	253-255,443	0402N271J500CT
C	262,263,266,267	0805X106K250CT
C	264,939,940,946	0402B102K500CT
C	265,269,634,714	0603X106K6R3CT
C	270,275,283,434	0805X475K250CT

C	272,2406,2407 (100 uF/35 V)	DCH1366
C	276,284,2413,2414	0603B104K500CT
C	281	VDV476M016ANE01K
C	286,290,292,910 (220 uF/6.3 V)	DCH1367
C	291,420,448,450	0402B104K160CT

C	295 (0.047 uF)	DCE1027
C	296,482 (0.1 uF)	ACE7100
C	297,486 (0.1 uF)	CCG1318
C	298 (1 uF)	ACE7129
C	306,308,309,314	0402B103K500CT

Mark	No.	Description	Part No.
C	1026,1029,1080,1081		0402X105K160CT
C	1027,1028,1030,1031		0402B104K160CT
C	1032,1415-1425		0402X224K160CT
C	1033-1053,1062-1077		0402B104K160CT
C	1054-1061,1079,1083		0402B103K500CT
C	1082,1084-1086		0402B104K160CT
C	1087		0402X105K160CT
C	1224,1413,1428		0402B103K500CT
C	1401		VDV476M6R3ANC01K
C	1402-1404,1406,1411		0402B104K160CT
C	1405		0805X475K250CT
C	1407-1410,1414,1429		0603X106K6R3CT
C	1412,1426,1427		0402B104K160CT
C	1430-1440		0402X224K160CT
C	1441-1464,1501,1503		0402B104K160CT
C	1502,2419,2514,2516		0603X106K6R3CT
C	1504,1520,1523,1531		0402B104K160CT
C	1505-1507,1511,1513		0402B103K500CT
C	1512,1524,1533,1802		0402N101J500CT
C	1514,1516-1518,1521		0402B103K500CT
C	1801,1806,2305-2308		0402B103K500CT
C	1803,1805,1809,1811		0402B102K500CT
C	1804,2435-2438,2503		0402N101J500CT
C	1807		0805X105K500CT
C	1808,1810,2004,2009		0402B104K160CT
C	1902,2014,2015,2018		0402B102K500CT
C	2006		0402N100J500CT
C	2010,2021		0402N102J500CT
C	2016,2017,2019,2020		0402B104K160CT
C	2022,2023,2026,2028		0402B102K500CT
C	2024,2025,2027,2029		0402B104K160CT
C	2410,2525,2526,2536		0402B103K500CT
C	2415-2418 (100 pF)		DCG1082
C	2421,2422,2428-2432		0603B104K500CT
C	2424,2426		0603N102J500CT
C	2439,2440,3004		0603B104K500CT
C	2442		0805X106K160CT
C	2501,2502,2508,2510		0402N470J500CT
C	2504,2701,2702		0402N101J500CT
C	2506,2703,2704		0603B103K500CT
C	2507,2509,2513,2515		0402B104K160CT
C	2517,2518,2713,2714		1206N683J500CT
C	2519,2520,2715,2716		0603N472J500CT
C	2521,2522,2529,2530		0603X106K6R3CT
C	2523,2524,2527,2528		0402B104K160CT
C	2533,2534,2710,2712		0603X106K6R3CT
C	2535,2537,2540,2541		0402B104K160CT
C	2538,2721,2722,2730		0402B103K500CT
C	2705,2707,2709,2711		0402B104K160CT
C	2706,2708,2737,2738		0402N470J500CT
C	2717,2718,2725-2728		0603X106K6R3CT
C	2719,2720,2723,2724		0402B104K160CT
C	2729,2731,2733,2734		0402B104K160CT
C	2732		0402B103K500CT
C	3001,3003		0402B102K500CT
C	3002		0402B104K160CT
C	3005,3029		0805X106K250CT
C	3006-3008,3010-3012		0402N470J500CT
C	3014-3016,3018-3020		0402N470J500CT

Mark	No.	Description	Part No.
C	3022-3024,3026-3028		0402N470J500CT
		<b>AOUTB ASSY</b>	
		<b>Consists of</b>	
		<b>AOUT ASSY</b>	
		<b>HPJK ASSY</b>	
		<b>HPJM ASSY</b>	
		<b>TRNS ASSY</b>	
		<b>DEGH</b>	
		<b>AOUTB ASSY</b>	
		<b>SEMICONDUCTORS</b>	
	IC	5001,5002,5004	TC7SH08FUS2
	IC	5003	TC7SZ08FUS2
⚠	IC	5005	MM3571A12P
	IC	5101	ES9026PRO@V
	IC	5201,5202,5401,5402	OPA1678ID
NSP	IC	5203,5204	MUSES8920AKX7
⚠	IC	5301	PCM1789PWR@V
	IC	5302,5504,5505	NJM2068MD
	IC	5403,5404	NJM2068D
	IC	5501	PCM1742KE
	IC	5502,5503,5703	NJM8080RB1S1
	IC	5601-5604,5701,5702	RC4558D
	IC	5704	CS5381-KZ
	Q	5201	MMBTSC1623YW
	Q	5202-5205,5301,5302	INC2002AC1
	Q	5401-5404,5501-5504	INC2002AC1
	D	5201,5202,5301,5302	1SS355L@V
	D	5801-5803,5851-5853	DF2B18FU
		<b>MISCELLANEOUS</b>	
	JA	5201,5202 CANON CONNECTOR	DKB1093
	JA	5301 RCA JACK	DKB1122
	JA	5401,5801 6.5 DIA JACK	DKN1669
	JA	5402 6.5 DIA JACK	DKN1700
	JA	5501-5504 6.5 DIA JACK	DKN1699
	JA	5851 STEREO MINI JACK	XKN3017
	KN	5851,5852 SCREW PLATE	VNE1948
	RY	5201,5202 RELAY	DSR1023
	T	5901,5902 OTHER TRANSFORMER	DTX1022
	CN	5001 CONNECTOR	HHW-L1220-J1@V
	CN	5002 FFC/FPC CONNECTOR	DKN1678
	CN	5003 CONNECTOR	HHW-L0320-J1@V
	CN	5701,5901 CONNECTOR	HHW-L1520-J1@V
	CN	5801,5852 CONNECTOR	HHW-R0420-J1@V
	CN	5851 CONNECTOR	HHW-R0320-J1@V
		5201 CANON SHIELD	DNF1789
		5301 SHIELD CASE	DNG1198
		5401,5501,5502,5801 PHONE SHIELD	DNF1875
	VA	5201-5206,5301-5303 VARISTORS	EZJZ1V270RM
	VA	5401-5405,5501-5506 VARISTORS	EZJZ1V270RM
		<b>RESISTORS</b>	
	R	5005-5012	RC0402JR-0747RL@V
	R	5013,5014	RT0603DRD0782RL@V
	R	5015,5016	RT0603DRD0722RL@V
	R	5101,5104	RT0603DRD071K5L@V
	R	5102	RT0603DRD071KL@V
	R	5103	RT0603DRD07220RL@V
	R	5111,5113,5114,5505	RC0402JR-070RL@V

Mark	No.	Description	Part No.	Mark	No.	Description	Part No.
A	R	5119,5201-5204	RT0603DRD073K3L@V	C	5030 (1 uF)		DCG1109
	R	5205-5208	RT0603DRD07680RL@V	C	5033		0402N100J500CT
	R	5209-5216,5409-5416	RC0603DR-071K8L@V	C	5101,5102,5205-5208 (100 uF/25 V)		DCH1357
				C	5113,5723 (0.1 uF)		CCG1321
	R	5217-5224,5401-5404	RC0603DR-073K3L@V				
	R	5225-5228,5425-5428	DCN1200	C	5116,5131,5137,5143		0402B103K500CT
	R	5229-5232,5429-5432	RC0603JR-074K7L@V	C	5117-5124,5729,5731 (1000 pF)		DCG1094
	R	5233	RC0402JR-071KL@V	C	5125,5128,5134,5140		0603B103K500CT
	R	5234,5307,5730-5735	RC0402JR-0710KL@V	C	5126,5129,5135,5141		0603N102J500CT
				C	5127,5130,5136,5142		0603N101J500CT
B	R	5235-5238,5433-5436	RC0603JR-0710KL@V				
	R	5239-5242,5326,5327	RC0603JR-0718KL@V	C	5133,5139,5145		0402N101J500CT
	R	5243-5246,5328,5329	RC0603JR-0722RL@V	C	5202,5237-5240,5601 (220 uF/25 V)		DCH1358
	R	5247-5250	RC0603JR-070RL@V	C	5204,5603,5604,5641 (0.033 uF)		DCE1041
	R	5301	RC0402JR-07100RL@V	C	5209-5212,5405-5408 (3300 pF)		DCG1100
				C	5213-5216,5437-5440 (470 pF)		DCG1090
	R	5306	RC0402JR-07220KL@V				
	R	5308-5311,5520-5523	RC0603DR-074K7L@V	C	5225-5228,5233-5236 (100 pF)		DCG1082
	R	5312-5315,5637,5638	RC0603DR-0715KL@V	C	5229-5232,5617-5620 (0.1 uF)		DCG1104
	R	5316-5319,5516,5517	RC0603DR-073K6L@V	C	5241-5244		DCE1032
R	5320,5321	RC0402JR-0747KL@V	C	5245,5247,5320,5323		0603N102J500CT	
			C	5248,5250,5321,5324		0603B103K500CT	
C	R	5322,5323,5405-5408	RC0603DR-07680RL@V				
	R	5324,5325,5536,5537	RC0603JR-07100KL@V	C	5301,5736,5738		0402B103K500CT
	R	5417-5424,5506-5509	RC0603DR-073K3L@V	C	5302,5303,5316,5317 (100 uF/25 V)		DCH1357
	R	5437-5440,5538-5541	RC0603JR-0718KL@V	C	5306,5507,5520,5521 (220 uF/25 V)		DCH1378
	R	5441-5444,5542-5545	RC0603JR-0722RL@V	C	5308,5309		0402N271J500CT
				C	5310-5313,5417-5424		0402N101J500CT
	R	5510-5513,5530-5533	RC0603DR-07680RL@V				
	R	5518,5519	RC0603DR-0711KL@V	C	5315,5413-5416		0603B104K500CT
	R	5524,5525	RC0603DR-072K7L@V	C	5318,5319,5739		0402N102J500CT
	R	5526-5529	RC0603DR-071K8L@V	C	5322,5501,5547,5550		0603N101J500CT
R	5534,5535	RC0603JR-0747KL@V	C	5401-5404,5433-5436 (100 uF/25 V)		DCH1357	
			C	5409-5412,5512-5515		0402N471J500CT	
D	R	5601-5604	RT0603DRD071K2L@V				
	R	5605-5608	RT0603DRD07470RL@V	C	5425-5428,5516-5519		0603B104K500CT
	R	5613-5620,5627,5628	RC0603DR-073K3L@V	C	5429-5432,5740		0402N101J500CT
	R	5621,5622,5644,5647	RC0603JR-07100KL@V	C	5441,5502,5542,5543		0603N102J500CT
	R	5623,5625	RC0402JR-07150KL@V	C	5442,5544-5546,5549		0603B103K500CT
				C	5503,5504,5536,5537 (100 uF/25 V)		DCH1357
	R	5624,5626	RC0402JR-0762KL@V				
	R	5629,5630,5633,5634	RC0402JR-07510KL@V	C	5505,5506		0402B104K160CT
	R	5631,5632,5717-5720	RC0603DR-073K3L@V	C	5508-5511		0603N332J500CT
	R	5635,5636	RC0603DR-0718KL@V	C	5522,5523		0402N821J500CT
R	5639,5640	RC0603DR-0724KL@V	C	5524,5525		0402N151J500CT	
			C	5528-5531,5631,5632		0603B104K500CT	
E	R	5641,5642,5649,5650	RC0603DR-0751KL@V				
	R	5645,5648	RC0603JR-07680RL@V	C	5534,5535 (220 uF/25 V)		DCH1378
	R	5651,5652	RC0603JR-0722RL@V	C	5538,5539		0603N222J500CT
	R	5701-5708	RC0603DR-075K1L@V	C	5540,5541,5605-5612		DCG1098
	R	5709-5712	RC0603JR-07220RL@V	C	5548,5551,5727,5803		0603N102J500CT
				C	5552,5726,5730,5805		0603B103K500CT
	R	5713-5716,5721-5728	RC0603DR-072K2L@V				
	R	5736	RC0402JR-0722RL@V	C	5602,5720 (220 uF/25 V)		DCH1358
	R	5737,5738,5740	RC0402JR-070RL@V	C	5613-5616		0603N152J500CT
	R	5741-5744	RC0603JR-074K7L@V	C	5623,5624,5637,5638 (0.1 uF)		DCG1104
			C	5627,5628,5643,5644 (10 uF/50 V)		DCH1377	
			C	5629,5630,5633,5634		0402N221J500CT	
<b>CAPACITORS</b>							
	C	5001,5002,5108,5201 (220 uF/25 V)	DCH1358				
	C	5003,5004,5104,5203 (0.033 uF)	DCE1041				
	C	5008,5024,5025,5305	0402B104K160CT	C	5635,5636		0402N470J500CT
	C	5009,5013,5014,5018 (0.01 uF)	DCG1101	C	5639,5640 (0.22 uF)		DCE1044
	C	5020,5114,5115 (1000 pF)	DCG1094	C	5642 (0.033 uF)		DCE1041
	C	5021,5112,5217-5220 (0.1 uF)	DCG1104	C	5701-5704,5735 (100 uF/25 V)		DCH1357
	C	5022 (2.2 uF)	DCG1110	C	5705-5708 (0.1 uF)		DCG1104
	C	5026,5103,5109,5721 (0.1 uF)	DCE1072	C	5709-5712 (470 pF)		DCG1090
	C	5027,5304,5307,5314	0603B104K500CT	C	5717,5718 (2200 pF)		DCG1098
	C	5028 (0.01 uF)	DCG1101	C	5719		0603B104K500CT
	C	5029,5132,5138,5144	0402N102J500CT	C	5724,5725,5733 (0.01 uF)		CCG1318
				C	5728 (470 uF/10 V)		DCH1361

Mark	No.	Description	Part No.
	C	5732 (1000 pF)	DCG1094
	C	5734 (0.1 uF)	DCE1072
	C	5737	0603N101J500CT
	C	5801,5802,5853,5854 (0.01 uF)	DCE1038
	C	5855	0603N102J500CT
	C	5857	0603B103K500CT

**SUB ASSY****Consists of****UCOM ASSY****LEDB ASSY****RVR1 ASSY****RVR2 ASSY****RVR3 ASSY****RVR4 ASSY****RVR5 ASSY****RVR6 ASSY****RVR7 ASSY****J O P Q R S T U V****SUB ASSY****SEMICONDUCTORS**

IC	6001-6003	74VHC541FT
IC	6001-6003	U74AHC541G-P20
IC	6004	MIMXRT1021DAG5B@V
IC	6005	DYW2345*
*Part number of the initial firmware equipped		
IC	6401,6402	74VHC595FT
Q	6001	MMBTRC403E
Q	6002-6006,6014	LTC023JEB
Q	6007-6013,6401-6411	2SC4154-11
Q	6412,6414,6416,6418	LTC024EEB
Q	6413,6415,6417,6419	2SB1689
Q	6420-6423	2SC4154-11
Q	6424-6455	MMBTA1576QW
D	6001,6401,6412,6423	FC-1608SXXK630D08
D	6402-6411,6413-6422	FC-1608YXK585F08
D	6424-6433,6435-6444	FC-1608YXK585F08
D	6434	FC-1608SXXK630D08
D	6445-6460	NHSW146A-A21460

**MISCELLANEOUS**

L	6001	CHIP BEEDS FILTER	BTX1047
L	6003	POWER INDUCTOR (4.7 uH)	ATH7047
L	6006-6019	SMD FERRITE BEADS	DTF1124
KN	6001,6005	WRAPPING TERMINAL	CKF1089
KN	6006	WRAPPING TERMINAL	CKF1089
X	6001	RESONATOR (24 MHz)	CSS1773
CN	6002,6008	15P CONNECTOR	VKN1307
CN	6003,6005-6007,6601	CONNECTOR	HWW-SL0420-J1@V
CN	6004	17P CONNECTOR	RKN1058
CN	6009-6011	CONNECTOR	HWW-SR0420-J1@V
CN	6013	FFC/FPC CONNECTOR	CKS6645
CN	6016	CONNECTOR	CKS6207
CN	6017	FFC/FPC CONNECTOR	CKS6543
CN	6018	27P CONNECTOR	RKN1068
CN	6401	FFC/FPC CONNECTOR	S100-SSA-17-T2@V
CN	6651,6701,6751,6801	CONNECTOR	HWW-SL0420-J1@V
CN	6851,6902	CONNECTOR	HWW-SL0420-J1@V
VA	6015-6028	VARISTORS	EZJZ1V270RM

Mark	No.	Description	Part No.
------	-----	-------------	----------

**RESISTORS**

R	6012-6027,6034,6035	RC0402JR-07100RL@V	
R	6038	RC0402JR-07180RL@V	
R	6041,6044,6045,6124	RC0402JR-07100RL@V	
R	6046,6152,6156	RC0402JR-0722RL@V	
R	6056,6061-6077	RC0402JR-070RL@V	
R	6100,6138,6170	RC0402JR-0710KL@V	
R	6102,6149	RC0402JR-074K7L@V	
R	6103-6105,6107,6110	RC0402JR-070RL@V	
R	6109,6111-6114,6117	RC0402JR-0756RL@V	
R	6115,6116,6118-6122	RC0402JR-070RL@V	
R	6123,6126,6128-6130	RC0402JR-0756RL@V	
R	6125,6127,6133,6135	RC0402JR-07100RL@V	
R	6131,6132,6136,6154	RC0402JR-070RL@V	
R	6137,6139,6140,6142	RC0402JR-07100RL@V	
R	6141,6148,6150	RC0402JR-07100KL@V	
R	6143,6145-6147	RC0402JR-07100RL@V	
R	6151,6158,6159,6161	RC0402JR-0756RL@V	
R	6153,6157,6160	RC0603JR-070RL@V	
R	6162-6164	RC0402JR-070RL@V	
R	6165	RC0402JR-0756RL@V	
R	6166,6169,6181,6182	RC0805JR-070RL@V	
R	6168	RC0402JR-072M2L@V	
R	6171-6180,6223,6224	RC1206JR-070RL@V	
R	6193-6197,6222,6417	RC0402JR-0722KL@V	
R	6198-6201	RC0603JR-076K8L@V	
R	6202-6213	RC0603JR-0747KL@V	
R	6214-6216,6432-6437	RC0402JR-073K3L@V	
R	6217-6219	RC0402JR-0733KL@V	
R	6225-6231	RC0402JR-0710ML@V	
R	6232-6236	RC1206JR-070RL@V	
R	6401-6414,6418,6419	RC0402JR-07100RL@V	
R	6415,6416,6443-6453	RC0402JR-0747KL@V	
R	6420,6423,6426,6429	RC0402JR-0722KL@V	
R	6421,6422,6424,6425	RC0402JR-07100RL@V	
R	6427,6428,6430,6431	RC0402JR-07100RL@V	
R	6438-6442	RC0402JR-076K8L@V	
R	6454,6455	RC0603JR-07150RL@V	
R	6456,6458,6460,6462	RC0603JR-07120RL@V	
R	6464,6466,6468,6470	RC0603JR-07120RL@V	
R	6472,6474	RC0603JR-07120RL@V	
R	6476,6478,6479,6481	RC0402JR-0722KL@V	
R	6477,6480,6483,6486	RC0603JR-071K2L@V	
R	6482,6484,6485,6487	RC0402JR-0722KL@V	
R	6488-6491	RC0402JR-073K3L@V	
R	6492-6495	RC0402JR-0747KL@V	
R	6496,6498,6500,6502	RC0402JR-07270RL@V	
R	6497,6499,6501,6503	RC0402JR-072K7L@V	
R	6504-6507,6516-6519	RC0402JR-0733RL@V	
R	6508,6510,6512,6514	RC0402JR-07270RL@V	
R	6509,6511,6513,6515	RC0402JR-072K7L@V	
R	6520,6522,6524,6526	RC0402JR-07270RL@V	
R	6521,6523,6525,6527	RC0402JR-072K7L@V	
R	6528-6531,6540-6543	RC0402JR-0733RL@V	
R	6532,6534,6536,6538	RC0402JR-07270RL@V	
R	6533,6535,6537,6539	RC0402JR-072K7L@V	
VR	6601,6651,6701,6751	ROTARY VR	DCS1152
VR	6801,6851,6901	ROTARY VR	DCS1152

**CAPACITORS**

Mark	No.	Description	Part No.
A	C	6020,6025,6027,6030	0402B104K160CT
	C	6022,6121 (100 uF/25 V)	CCH2000
	C	6023,6024,6026,6056	0402N102J500CT
	C	6028,6031,6034,6099	0805X106K250CT
	C	6033,6036,6040-6043	0402B104K160CT
	C	6038,6045-6048,6053	0402N471J500CT
	C	6039,6044,6068,6078	0603X475K100CT
	C	6049-6051,6057,6060	0402B104K160CT
	C	6058,6059,6062-6065	0402N102J500CT
	C	6066,6071,6072,6076	0402B104K160CT
B	C	6067,6069,6070	0402N102J500CT
	C	6073-6075	0402N102J500CT
	C	6077,6079,6084	0402X224K160CT
	C	6080-6083,6088,6101	0603X475K100CT
	C	6085	0402X474K6R3CT
C	C	6089,6090,6095,6096	0402B104K160CT
	C	6091,6100,6108	0805X226M100CT
	C	6092-6094,6098,6104	0402X224K160CT
	C	6097	0603X106K6R3CT
	C	6102,6106	0402N471J500CT

C	C	6103	0603X475K100CT
	C	6105,6111	0402N5R0C500CT
	C	6107,6120,6402,6407	0402B104K160CT
	C	6109	0402X224K160CT
	C	6112	0402X105K160CT
D	C	6113	VGV476M6R3ANC01K
	C	6114	VGV107M016ANE01K
	C	6136-6142,6401,6405	0402B103K500CT
	C	6403,6404	0603X474K250CT
	C	6409	0805X106K250CT

D	C	6416-6419,6421,6423	0402B104K160CT
	C	6420,6422	0805B106K6R3CT
	C	6601,6651,6701,6751	0603B104K500CT
	C	6602,6652,6702,6752	0603N471J500CT
	C	6801,6851,6901	0603B104K500CT

**PNL2 ASSY**

Consists of

**PNLFL ASSY****PSWB ASSY**

**PNL2 ASSY**  
**SEMICONDUCTORS**

E	IC	7301,7302	TC74HC4051AF
	Q	7301,7303	LTC124EUB
	Q	7302,7304	2SB1689
	D	7301,7302,7305	LTL17KSL5D-P
	D	7303,7304,7306,7307	1SS355L@V

**MISCELLANEOUS**

F	S	7301 SLIDE SWITCH	DSH1058
	S	7302,7303 TACT SWITCH	DSG1079
	S	7304,7305 ROTARY SWITCH	DSG1099
	S	7401 PUSH SW	ASG1102
	CN	7301 15P CONNECTOR	VKN1246
	CN	7401 CONNECTOR	HWW-R0320-J1@V

Mark	No.	Description	Part No.
------	-----	-------------	----------

**RESISTORS**

R	7301,7304,7308,7311	RC0603JR-0722KL@V
	7302,7309	RC0603JR-078K2L@V
	7303,7306	RC0603JR-07200RL@V
	7305,7310	RC0603JR-07160RL@V
	7307,7312	RC0603JR-07180RL@V
	7313,7314,7321,7322	RC0603JR-07220KL@V
	7315,7330	RC0603JR-0722KL@V
	7316,7323	RC0603JR-07560RL@V
	7317,7324	RC0603JR-07910RL@V
	7318,7325	RC0603JR-071K8L@V
	7319,7326	RC0603JR-075K6L@V
	7320,7327	RC0603JR-072K2L@V
7328,7329	RC0603JR-07220KL@V	
7401	RC0603JR-07100RL@V	
VR	7301,7302,7306-7308 ROTARY VR	DCS1078
VR	7304,7305,7309,7310 ROTARY VR	DCS1104
VR	7311-7313 ROTARY VR	DCS1078

**CAPACITORS**

C	7301	KS7476M016A5C07K
C	7302-7307,7313	0603B104K500CT
C	7309,7310,7312,7314	0603N471J500CT
C	7315-7317,7325-7327	0603B104K500CT
C	7319-7321,7338-7340	0603N102J500CT
C	7322-7324,7328,7329	0603N471J500CT
C	7331,7333,7337,7341	0603N471J500CT
C	7332,7334-7336	0603B104K500CT
C	7342	0603N471J500CT
C	7344-7346	0603B104K500CT
C	7401	0603B103K500CT

**PNL1 ASSY**

Consists of

**PNLFR ASSY****PNLRR ASSY****PNLRL ASSY**

**PNL1 ASSY**
**SEMICONDUCTORS**

IC	7001,7002,7101	TC74HC4051AF
IC	7102	NJM2903M
Q	7001,7003,7101,7201	LTC124EUB
Q	7002,7004,7102,7202	2SB1689
Q	7103	RT1P431M
Q	7203	LTC124EUB
Q	7204	2SB1689
D	7001-7003,7102-7106	1SS355L@V
D	7004,7005,7201-7203	LTL17KSL5D-P
D	7101	LTW-1GHWCW4-P(A)@V
D	7107	LTL17KRH5D-P
D	7204,7206,7209-7211	1SS355L@V
D	7205,7207,7208	LTL17KSL5D-P
D	7212-7217	LTL17KSL5D-P

**MISCELLANEOUS**

S	7001,7002 ROTARY SWITCH	DSG1099
S	7003,7004,7102-7105 TACT SWITCH	DSG1079
S	7005 SLIDE SWITCH	DSH1066

Mark No.	Description	Part No.
S 7101	ROTARY SWITCH	DSG1144
S 7106	SLIDE SWITCH	DSH1058
S 7201-7203	TACT SWITCH	DSG1079
CN 7001	15P CONNECTOR	VKN1246
CN 7101	27P CONNECTOR	VKN1258
CN 7102,7201	12P CONNECTOR	VKN1243

Mark No.	Description	Part No.
C 7201		0603X106K100CT
C 7202-7204		0603B104K500CT



There is no service parts.

### RESISTORS

R 7001,7008	RC0603JR-07560RL@V
R 7002,7009	RC0603JR-07910RL@V
R 7003,7010	RC0603JR-071K8L@V
R 7004,7011	RC0603JR-075K6L@V
R 7005,7012,7101	RC0603JR-072K2L@V
R 7006,7007,7013-7015	RC0603JR-07220KL@V
R 7017,7114,7116,7117	RC0603JR-07220KL@V
R 7018	RC0603JR-07160RL@V
R 7019	RC0603JR-07180RL@V
R 7020,7022,7023,7025	RC0603JR-0722KL@V
R 7021,7024,7112,7224	RC0603JR-078K2L@V
R 7102,7103,7219-7222	RC0603JR-07200RL@V
R 7104	RC0603JR-07220RL@V
R 7105,7115	RC0603JR-07390RL@V
R 7106	RC0603JR-07470RL@V
R 7107	RC0603JR-07750RL@V
R 7108	RC0603JR-071K2L@V
R 7109	RC0603JR-072KL@V
R 7110	RC0603JR-074K7L@V
R 7111,7113,7118,7122	RC0603JR-0722KL@V
R 7119	RC0603JR-071KL@V
R 7120	RC0603JR-071ML@V
R 7121	RC0603JR-0710KL@V
R 7123,7223,7225,7226	RC0603JR-0722KL@V
R 7202,7203,7205,7208	RC0603JR-07820RL@V
R 7209,7211,7214,7215	RC0603JR-07820RL@V
R 7217	RC0603JR-07820RL@V
R 7227	RC0603JR-078K2L@V
R 7228	RC0603JR-0722KL@V
VR 7001,7002,7006,7007 ROTARY VR	DCS1104
VR 7003-7005,7008-7010 ROTARY VR	DCS1078
VR 7011,7015,7101-7103 ROTARY VR	DCS1104
VR 7012,7013 ROTARY VR	DCS1116
VR 7014 ROTARY VR	DCS1078
VR 7104 ROTARY VR	DCS1146

### CAPACITORS

C 7001,7101	KS7476M016A5C07K
C 7002,7003,7008	0603B104K500CT
C 7004,7005,7007,7009	0603N471J500CT
C 7010-7012,7020-7022	0603B104K500CT
C 7013,7017-7019,7023	0603N471J500CT
C 7014-7016,7033-7035	0603N102J500CT
C 7024,7026,7028,7032	0603N471J500CT
C 7027,7029-7031	0603B104K500CT
C 7036-7038,7114	0603N471J500CT
C 7039-7048,7102,7103	0603B104K500CT
C 7105,7108,7110	0603B103K500CT
C 7106,7107,7109	0603B104K500CT
C 7111-7113,7115,7116	0603B104K500CT
C 7117-7120	0603N471J500CT
C 7121,7123,7124	0603N102J500CT
C 7122,7125,7126	0603B104K500CT