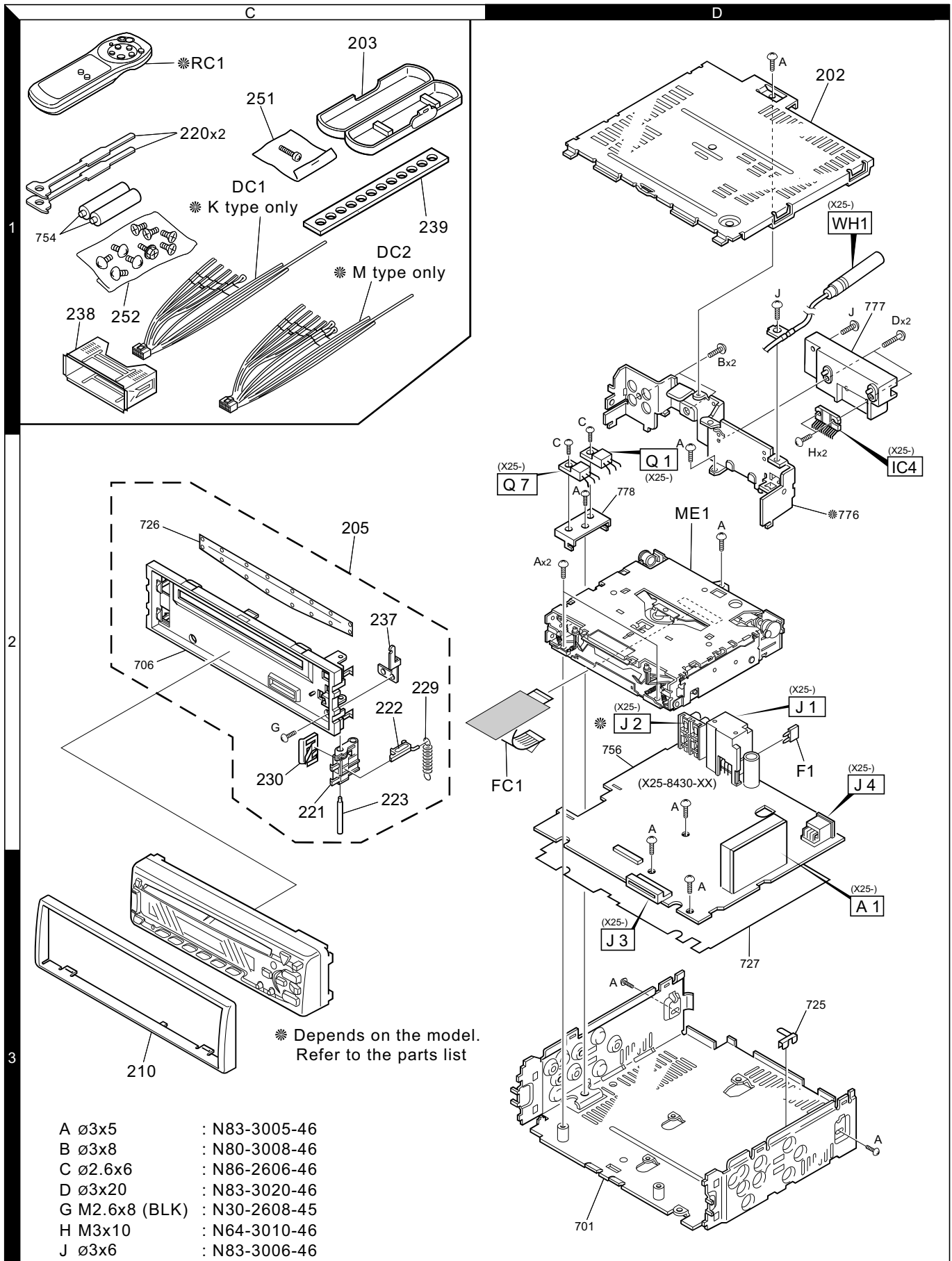
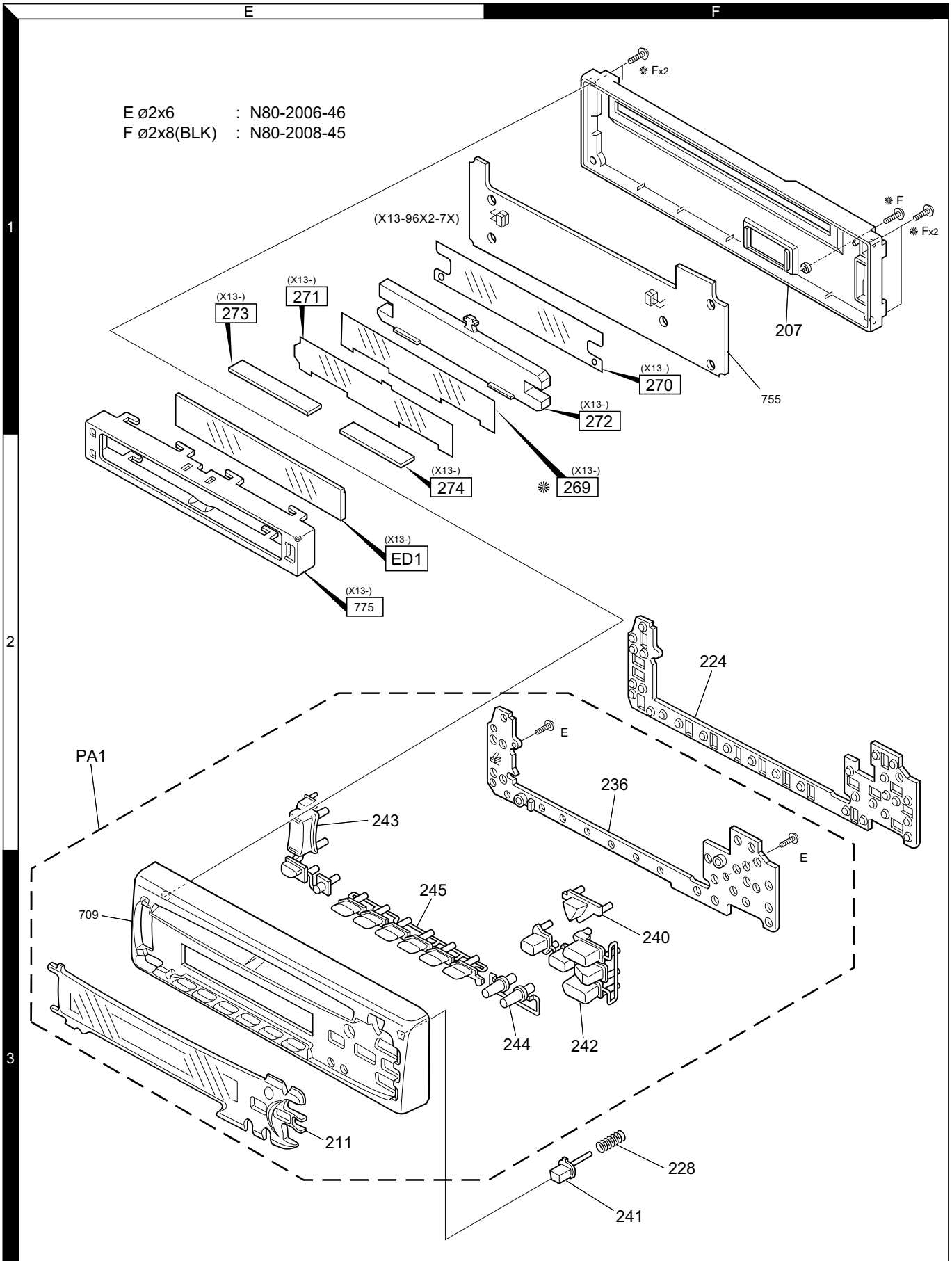




## EXPLODED VIEW (UNIT)



# EXPLODED VIEW (UNIT)



Parts with the exploded numbers larger than 700 are not supplied.

# KDC-315S/V/415S 4015/4016/CG

## PARTS LIST

\*New Parts

Parts without **Parts No.** are not supplied.

Les articles non mentionnes dans le **Parts No.** ne sont pas fournis.

Teile ohne **Parts No.** werden nicht geliefert.

**KDC-315S/V/415S/4015/4016/CG  
SWITCH UNIT (X13-9XX0-1X)**

Ref. No.	A d d	N e w	Parts No.	Description	Dest inati on
<b>KDC-315S/V/415S/4015/4016/CG</b>					
202	1D		A52-0739-12	TOP PLATE	
203	1C		A02-1486-13	PLASTIC CABINET ASSY	
205	2C	*	A22-2393-03	SUB PANEL ASSY	
207	1F	*	A46-1655-01	REAR COVER	
PA1	2E	*	A64-1885-02	PANEL ASSY	K
PA1	2E	*	A64-1886-02	PANEL ASSY	K1
PA1	2E	*	A64-1887-02	PANEL ASSY	K2
PA1	2E	*	A64-1890-02	PANEL ASSY	M1
PA1	2E	*	A64-2025-02	PANEL ASSY	M4
PA1	2E	*	A64-2054-02	PANEL ASSY	K5
RC1	1C		A70-0883-05	REMOTE CONTROLLER ASSY	KK1K5
RC1	1C		A70-0883-05	REMOTE CONTROLLER ASSY	M1M4
210	3C	*	B07-2181-02	ESCUTCHEON	KK1K2
210	3C	*	B07-2181-02	ESCUTCHEON	K5M1
210	3C	*	B07-2184-02	ESCUTCHEON	M4
211	3E	*	B10-3119-01	FRONT GLASS	K
211	3E	*	B10-3120-01	FRONT GLASS	K1
211	3E	*	B10-3121-01	FRONT GLASS	K2
211	3E	*	B10-3124-01	FRONT GLASS	M1M4
211	3E	*	B10-3189-01	FRONT GLASS	K5
-			B46-0100-50	WARRANTY CARD	
-			B46-0606-04	ID CARD	
-			B58-1344-04	CAUTION CARD	KK2
-		*	B64-1546-00	INST.MANUAL (ENG,FRE)	KK1K2
-		*	B64-1546-00	INST.MANUAL (ENG,FRE)	K5
-		*	B64-1547-00	INST.MANUAL (SPA,POR)	KK1K2
-		*	B64-1547-00	INST.MANUAL (SPA,POR)	K5
-		*	B64-1548-00	INST.MANUAL (ENG,CHI)	M1M4
-		*	B64-1642-00	INST.MANUAL (ARABIC)	M1M4
220	1C		D10-3031-04	LEVER	
221	2C		D10-4051-33	LEVER	
222	2C		D10-4052-03	LEVER	
223	2C		D21-2250-04	SHAFT	
224	2F		E29-1571-02	CONDUCTIVE RUBBER	
DC1	1C	*	E30-4783-05	DC CORD	KK1K2
DC1	1C	*	E30-4783-05	DC CORD	K5
DC2	1C	*	E30-4784-05	DC CORD	M1M4
FC1	2D		E39-0180-05	FLAT CABLE	
△ F1	2D		F52-0006-05	FUSE(MINI BLADE TYPE) (10A)	
△ F1	2D	*	F52-0011-05	FUSE(MINI BLADE TYPE) (10A)	
228	3F		G01-2738-04	COMPRESSION SPRING	
229	2C		G01-2792-04	EXTENSION SPRING	
230	2C		G02-1244-03	FLAT SPRING	
-		*	H10-4693-02	POLYSTYRENE FOAMED FIXTURE	
-		*	H25-0329-04	PROTECTION BAG (280X450X0.03)	
-		*	H25-0337-04	PROTECTION BAG (180X300X0.03)	
-		*	H54-1630-03	ITEM CARTON CASE	K
-		*	H54-1631-03	ITEM CARTON CASE	K1
-		*	H54-1632-03	ITEM CARTON CASE	K2
-		*	H54-1635-03	ITEM CARTON CASE	M1
-		*	H54-1736-03	ITEM CARTON CASE	M4

Ref. No.	A d d	N e w	Parts No.	Description	Dest inati on
-		*	H54-1752-03	ITEM CARTON CASE	K5
236	2F		J19-4878-22	HOLDER	
237	2C		J21-7726-04	MOUNTING HARDWARE	
238	1C	*	J21-9491-03	MOUNTING HARDWARE ASSY	
239	1C		J54-0606-04	STAY	
240	3F		K24-1924-14	KNOB (SRC)	
241	3F		K24-1948-14	KNOB (RELEASE)	
242	3F		K25-0965-03	KNOB (FM,AM,UP,DOWN,AUD)	
243	2E		K25-0967-03	KNOB (VOL,ATT,EJECT)	
244	3F		K25-1036-03	KNOB (AUTO,CLK)	
245	3E		K25-1037-03	KNOB (PRESET1-6)	
251	1C		N99-1610-15	SCREW SET	
252	1C		N99-1632-05	SCREW SET	
A	1D		N83-3005-46	PAN HEAD TAPTITE SCREW	
E	2F		N80-2006-46	PAN HEAD TAPTITE SCREW	
F	1F		N80-2008-45	PAN HEAD TAPTITE SCREW	
G	2C		N30-2608-45	PAN HEAD MACHINE SCREW	
ME1	2D		X92-3590-00	CD MECHANISM ASSY	
<b>SWITCH UNIT (X13-9XX0-1X)</b>					
269	2F	*	B11-0996-04	COLOR FILTER	K5
270	1F		B11-0974-04	REFLECTION SHEET	
271	1E		B11-0975-04	OPTICAL DIFFUSER	KK1K2
271	1E		B11-0975-04	OPTICAL DIFFUSER	M1M4
271	1E	*	B11-0995-04	OPTICAL DIFFUSER	K5
272	1F		B19-1164-33	LIGHTING BOARD	
D1 -16			B30-1533-05	LED(1608,PG)	KK1M1
D1 -16			B30-1533-05	LED(1608,PG)	M4
D1 -17			B30-1533-05	LED(1608,PG)	K2
D1 -17		*	B30-1567-05	LED(1608,RED)	K5
D17		*	B30-1564-05	LED(1608,BLUE)	KK1M1
D17		*	B30-1564-05	LED(1608,BLUE)	M4
D18 ,19		*	B30-1572-05	LED(WHITE)	
ED1	2E	*	B38-1027-05	LIQUID CRYSTAL	KK1K2
ED1	2E	*	B38-1027-05	LIQUID CRYSTAL	M1M4
ED1	2E	*	B38-1041-05	LIQUID CRYSTAL	K5
C1			CK73FB1H821K	CHIP C 820PF	K
C2 ,3			CK73FB1E473K	CHIP C 0.047UF	K
C4			CK73FB1H103K	CHIP C 0.010UF	K
C5			CK73EB1C225K	CHIP C 2.2UF	K
C7 -9			CK73FB1C104K	CHIP C 0.10UF	K
C7 -9			CK73FB1C104K	CHIP C 0.10UF	K
C8 ,9			CK73FB1C104K	CHIP C 0.10UF	K
273	1E		E29-1575-04	CONDUCTIVE RUBBER (L)	
274	2E		E29-1579-04	CONDUCTIVE RUBBER (R)	
J1			E59-0828-05	RECTANGULAR PLUG (15P)	
CP1 ,2			R90-0724-05	MULTI-COMP 1K X4	
R2 ,3			RK73FB2A471J	CHIP R 470 J 1/10W	
R4			RK73FB2A751J	CHIP R 750 J 1/10W	
R5			RK73FB2A102J	CHIP R 1.0K J 1/10W	
R7			RK73FB2A102J	CHIP R 1.0K J 1/10W	

K:KDC-415S K1:KDC-4015 K2:KDC-315S K5:KDC-315V M1:KDC-4016 M4:KDC-4016CG

# PARTS LIST

\*New Parts

Parts without **Parts No.** are not supplied.

Les articles non mentionnes dans le **Parts No.** ne sont pas fournis.

Teile ohne **Parts No.** werden nicht geliefert.

**SWITCH UNIT (X13-9XX0-1X)**  
**ELECTRIC UNIT (X25-8430-XX)**

Ref. No.	Add	New	Parts No.	Description	Destination
R8			RK73FB2A683J	CHIP R 68K J 1/10W	
R9			RK73FB2A102J	CHIP R 1.0K J 1/10W	
R10			RK73EB2B4R7J	CHIP R 4.7 J 1/8W	
R12			RK73FB2A102J	CHIP R 1.0K J 1/10W	
R13			RK73FB2A470J	CHIP R 47 J 1/10W	
R14 -18			RK73EB2B331J	CHIP R 330 J 1/8W	
R19			RK73EB2B391J	CHIP R 390 J 1/8W	KK1M1
R19			RK73EB2B391J	CHIP R 390 J 1/8W	M4
R19			RK73EB2B471J	CHIP R 470 J 1/8W	K2K5
R20			RK73EB2B271J	CHIP R 270 J 1/8W	
D22, 23			DA204K	DIODE	△
IC1			LC75853NE	MOS-IC	
IC2			RS-171	ANALOGUE IC	
Q1			DTA114EK	DIGITAL TRANSISTOR	
Q1			UN2111	DIGITAL TRANSISTOR	
<b>ELECTRIC UNIT (X25-8430-XX)</b>					
C1			C90-5235-05	ELECTRO 2200UF 16WV	
C2			CE04DW1C101M	ELECTRO 100UF 16WV	
C3			CK73FB1H103K	CHIP C 0.010UF K	
C4			C90-2594-05	ELECTRO 10UF 10WV	
C5			CE04CW0J101M	ELECTRO 100UF 6.3WV	
C6			CE04CW1C101M	ELECTRO 100UF 16WV	
C7, 8			CE04CW1A101M	ELECTRO 100UF 10WV	
C9			CK73FB1E473K	CHIP C 0.047UF K	
C10			CK73FB1H102K	CHIP C 1000PF K	
C11, 12			CK73FB1H103K	CHIP C 0.010UF K	
C14			C90-2598-05	ELECTRO 3.3UF 25WV	
C15			CK73FB1E683K	CHIP C 0.068UF K	
C16			C90-2602-05	ELECTRO 0.10UF 50WV	
C17			CE04DW1C101M	ELECTRO 100UF 16WV	
C50			CE04CW0J101M	ELECTRO 100UF 6.3WV	
C51			CK73FB1H103K	CHIP C 0.010UF K	
C52			CK73FB1C104K	CHIP C 0.10UF K	
C53, 54			CC73FCH1H150J	CHIP C 15PF J	
C55			CK73FB1H472K	CHIP C 4700PF K	
C150-153		*	C90-5296-05	ELECTRO 0.22UF 50WV	
C154			CE04CW1A101M	ELECTRO 100UF 10WV	
C155			C90-2608-05	ELECTRO 1.0UF 50WV	
C156			C90-2935-05	ELECTRO 1.0UF 50WV	
C157			C90-2608-05	ELECTRO 1.0UF 50WV	
C158-161			C90-2597-05	ELECTRO 10UF 16WV	KK1M1
C158-161			C90-2597-05	ELECTRO 10UF 16WV	M4
C160,161			C90-2597-05	ELECTRO 10UF 16WV	K2K5
C162			CK73FB1H103K	CHIP C 0.010UF K	
C163			C90-2608-05	ELECTRO 1.0UF 50WV	
C164,165			C90-2610-05	ELECTRO 2.2UF 50WV	
C166			CE04CW1A101M	ELECTRO 100UF 10WV	
C167			CK73FB1H103K	CHIP C 0.010UF K	
C168			CK73FB1H153K	CHIP C 0.015UF K	
C169			CK73FB1C224K	CHIP C 0.22UF K	
C170			CC73FCH1H151J	CHIP C 150PF J	
C171			CK73FB1E333K	CHIP C 0.033UF K	
C172			CK73FB1C823K	CHIP C 0.082UF K	
C173			CK73FB1C104K	CHIP C 0.10UF K	
C174			CK73FB1H103K	CHIP C 0.010UF K	

Ref. No.	Add	New	Parts No.	Description	Destination
C200			CE04CW1A101M	ELECTRO 100UF 10WV	
C201,202			C90-2608-05	ELECTRO 1.0UF 50WV	
C203,204			CK73FB1H103K	CHIP C 0.010UF K	
C207			CE04CW1A101M	ELECTRO 100UF 10WV	
C208			CK73FB1H103K	CHIP C 0.010UF K	
C209			CK73FB1C104K	CHIP C 0.10UF K	
C219,220			CK73FB1H103K	CHIP C 0.010UF K	
C222,223			CK73FB1H103K	CHIP C 0.010UF K	
CN1			E40-9550-05	FLAT CABLE CONNECTOR (22P)	
J1	2D		E58-0863-15	RECTANGULAR RECEPTACLE (16P)	
J2	2D		E63-0852-05	PIN JACK (2P)	K2K5
J2	2D		E63-0853-05	PIN JACK (4P)	KK1M1
J2	2D		E63-0853-05	PIN JACK (4P)	M4
J3	3D		E58-0879-05	RECTANGULAR RECEPTACLE (15P)	
J4	2D		E56-0809-05	CYLINDRICAL RECEPTACLE (13P)	
WH1	1D		E30-4440-05	CORD WITH PLUG	
L1			L33-1119-05	CHOKE COIL ASSY	
L2, 3			L40-4795-91	SMALL FIXED INDUCTOR(4.7UH,J)	
L4			L33-1123-05	LINE FILTER COIL	
L5 -7			L40-4795-91	SMALL FIXED INDUCTOR(4.7UH,J)	
L9			L40-4795-91	SMALL FIXED INDUCTOR(4.7UH,J)	
X1			L77-1167-05	CRYSTAL RESONATOR(4.19MHZ)	
B	1D		N80-3008-46	PAN HEAD TAPTITE SCREW	
C	2D		N86-2606-46	BINDING HEAD TAPTITE SCREW	
D	1D		N83-3020-46	PAN HEAD TAPTITE SCREW	
H	2D		N64-3010-46	PAN HEAD SEMS SCREW	
J	1D		N83-3006-46	PAN HEAD TAPTITE SCREW	
R1			RK73FB2A223J	CHIP R 22K J 1/10W	
R2			RK73FB2A101J	CHIP R 100 J 1/10W	
R3			RK73FB2A103J	CHIP R 10K J 1/10W	
R4			RK73FB2A102J	CHIP R 1.0K J 1/10W	
R5			RD14DB2H2R2J	SMALL-RD 2.2 J 1/2W	
R6			RK73FB2A102J	CHIP R 1.0K J 1/10W	
R7			RD14DB2H2R2J	SMALL-RD 2.2 J 1/2W	
R8			RK73FB2A152J	CHIP R 1.5K J 1/10W	
R9			RK73FB2A102J	CHIP R 1.0K J 1/10W	
R10			RK73FB2A203J	CHIP R 20K J 1/10W	
R11, 12			RK73FB2A103J	CHIP R 10K J 1/10W	
R13			RK73FB2A104J	CHIP R 100K J 1/10W	
R14			RD14DB2H332J	SMALL-RD 3.3K J 1/2W	
R16			RD14BB2C333J	RD 33K J 1/6W	
R17			RK73FB2A103J	CHIP R 10K J 1/10W	
R18			RK73FB2A104J	CHIP R 100K J 1/10W	
R23			RK73FB2A473J	CHIP R 47K J 1/10W	
R24			RK73FB2A562J	CHIP R 5.6K J 1/10W	
R25			RK73EB2B472J	CHIP R 4.7K J 1/8W	M1M4
R26			RD14DB2H102J	SMALL-RD 1.0K J 1/2W	M1M4
R27			RK73FB2A223J	CHIP R 22K J 1/10W	M1M4
R28			RK73EB2B472J	CHIP R 4.7K J 1/8W	
R29			RD14DB2H102J	SMALL-RD 1.0K J 1/2W	
R30			RK73FB2A223J	CHIP R 22K J 1/10W	
R31			RD14DB2H102J	SMALL-RD 1.0K J 1/2W	KK1K2
R31			RD14DB2H102J	SMALL-RD 1.0K J 1/2W	K5

## PARTS LIST

\*New Parts

Parts without **Parts No.** are not supplied.

Les articles non mentionnés dans le **Parts No.** ne sont pas fournis.

Teile ohne **Parts No.** werden nicht geliefert.

### ELECTRIC UNIT (X25-8430-XX)

Ref. No.	Add	New	Parts No.	Description	Destination
R31,32			RD14DB2H102J	SMALL-RD 1.0K J 1/2W	M1M4
R50			RK73FB2A104J	CHIP R 100K J 1/10W	
R51			RK73FB2A225J	CHIP R 2.2M J 1/10W	
R52			RK73FB2A222J	CHIP R 2.2K J 1/10W	
R53			RK73FB2A104J	CHIP R 100K J 1/10W	
R54,55			RK73FB2A222J	CHIP R 2.2K J 1/10W	
R57			RK73FB2A222J	CHIP R 2.2K J 1/10W	
R59			RK73FB2A473J	CHIP R 47K J 1/10W	K1M1M4
R60			RK73FB2A473J	CHIP R 47K J 1/10W	KK2K5
R61			RK73FB2A473J	CHIP R 47K J 1/10W	M1M4
R62 -64			RK73FB2A473J	CHIP R 47K J 1/10W	KK1K2
R62 -64			RK73FB2A473J	CHIP R 47K J 1/10W	K5
R63,64			RK73FB2A473J	CHIP R 47K J 1/10W	M1M4
R65			RK73FB2A102J	CHIP R 1.0K J 1/10W	
R67			RK73FB2A222J	CHIP R 2.2K J 1/10W	
R68			RK73FB2A471J	CHIP R 470 J 1/10W	
R69			RK73FB2A104J	CHIP R 100K J 1/10W	
R71			RK73FB2A471J	CHIP R 470 J 1/10W	
R72,73			RK73FB2A104J	CHIP R 100K J 1/10W	
R74,75			RK73FB2A470J	CHIP R 47 J 1/10W	
R77			RK73FB2A101J	CHIP R 100 J 1/10W	
R78			RK73FB2A472J	CHIP R 4.7K J 1/10W	
R80,81			RK73FB2A102J	CHIP R 1.0K J 1/10W	
R82			RK73FB2A222J	CHIP R 2.2K J 1/10W	
R83			RK73FB2A102J	CHIP R 1.0K J 1/10W	
R86,87			RK73FB2A222J	CHIP R 2.2K J 1/10W	
R88,89			RK73FB2A102J	CHIP R 1.0K J 1/10W	
R90			RK73FB2A101J	CHIP R 100 J 1/10W	
R91,92			RK73FB2A102J	CHIP R 1.0K J 1/10W	
R94			RK73FB2A104J	CHIP R 100K J 1/10W	
R95,96			RK73FB2A103J	CHIP R 10K J 1/10W	
R97			RK73FB2A472J	CHIP R 4.7K J 1/10W	
R99			RK73FB2A470J	CHIP R 47 J 1/10W	
R100			RK73FB2A223J	CHIP R 22K J 1/10W	
R101			RK73FB2A333J	CHIP R 33K J 1/10W	
R103			RK73FB2A102J	CHIP R 1.0K J 1/10W	
R105			RK73FB2A473J	CHIP R 47K J 1/10W	
R108			RK73FB2A473J	CHIP R 47K J 1/10W	
R112			RK73FB2A682J	CHIP R 6.8K J 1/10W	
R150-153			RK73FB2A472J	CHIP R 4.7K J 1/10W	
R154			RK73FB2A102J	CHIP R 1.0K J 1/10W	
R156			RK73FB2A751J	CHIP R 750 J 1/10W	
R157			RK73FB2A431J	CHIP R 430 J 1/10W	
R158			RK73FB2A154J	CHIP R 150K J 1/10W	
R159			RK73FB2A273J	CHIP R 27K J 1/10W	
R160-163			RK73EB2B181J	CHIP R 180 J 1/8W	KK1M1
R160-163			RK73EB2B181J	CHIP R 180 J 1/8W	M4
R162,163			RK73EB2B181J	CHIP R 180 J 1/8W	K2K5
R164-167			RK73FB2A223J	CHIP R 22K J 1/10W	KK1M1
R164-167			RK73FB2A223J	CHIP R 22K J 1/10W	M4
R166,167			RK73FB2A223J	CHIP R 22K J 1/10W	K2K5
R168-171			RK73FB2A361J	CHIP R 360 J 1/10W	KK1M1
R168-171			RK73FB2A361J	CHIP R 360 J 1/10W	M4
R170,171			RK73FB2A361J	CHIP R 360 J 1/10W	K2K5
R172			RK73FB2A101J	CHIP R 100 J 1/10W	

Ref. No.	Add	New	Parts No.	Description	Destination
R173			RK73FB2A104J	CHIP R 100K J 1/10W	
R174			RK73FB2A272J	CHIP R 2.7K J 1/10W	
R175			RK73FB2A472J	CHIP R 4.7K J 1/10W	
R176			RK73FB2A104J	CHIP R 100K J 1/10W	
R177			RK73FB2A471J	CHIP R 470 J 1/10W	
R178			RK73FB2A222J	CHIP R 2.2K J 1/10W	
R179			RK73FB2A104J	CHIP R 100K J 1/10W	
R180			RK73FB2A222J	CHIP R 2.2K J 1/10W	
R181			RK73FB2A102J	CHIP R 1.0K J 1/10W	
R200			RK73EB2B470J	CHIP R 47 J 1/8W	
R201,202			RK73EB2B472J	CHIP R 4.7K J 1/8W	
R203			RK73EB2B472J	CHIP R 4.7 J 1/8W	
R204-206			RK73EB2B222J	CHIP R 2.2K J 1/8W	
R207,208			RK73EB2B470J	CHIP R 47 J 1/8W	
R209,210			RK73EB2B100J	CHIP R 10 J 1/8W	
R211			RK73FB2A223J	CHIP R 22K J 1/10W	
R212			RK73EB2B102J	CHIP R 1.0K J 1/8W	
R213			RK73FB2A223J	CHIP R 22K J 1/10W	
R214			RK73EB2B102J	CHIP R 1.0K J 1/8W	
R215			RD14BB2C151J	RD 150 J 1/6W	
R216			RK73FB2A472J	CHIP R 4.7K J 1/10W	
R225			RK73FB2A473J	CHIP R 47K J 1/10W	
R226			RK73FB2A273J	CHIP R 27K J 1/10W	
R227			RK73EB2B102J	CHIP R 1.0K J 1/8W	
R228			RK73EB2B101J	CHIP R 100 J 1/8W	
R229			RK73EB2B471J	CHIP R 470 J 1/8W	
R230			RK73EB2B101J	CHIP R 100 J 1/8W	
R232			RK73EB2B222J	CHIP R 2.2K J 1/8W	
R233			RK73EB2B102J	CHIP R 1.0K J 1/8W	
R234			RK73EB2B470J	CHIP R 47 J 1/8W	
R235			RK73EB2B102J	CHIP R 1.0K J 1/8W	
W6 -9			R92-2053-05	CHIP R 0 J 1/8W	
D1			S2V20A	DIODE	
D2			AM01Z	DIODE	
D2			ERA15-01	DIODE	
D3			MA4056(N)-M	ZENER DIODE	
D4			MA4091(N)-L	ZENER DIODE	
D5			MA4082(N)-L	ZENER DIODE	
D6			MA4110-L	ZENER DIODE	
D7,8			MA4068(N)-M	ZENER DIODE	
D10,11			AM01Z	DIODE	M1M4
D10,11			ERA15-01	DIODE	M1M4
D12,13			AM01Z	DIODE	KK1K2
D12,13			AM01Z	DIODE	K5
D12,13			ERA15-01	DIODE	KK1K2
D12,13			ERA15-01	DIODE	K5
D13			AM01Z	DIODE	M1M4
D13			ERA15-01	DIODE	M1M4
D14			1SS133	DIODE	
D50			1SS133	DIODE	
D150-152			1SS133	DIODE	
D153-160			AM01Z	DIODE	
D153-160			ERA15-01	DIODE	
D161,162			MA4068(N)-M	ZENER DIODE	

K:KDC-415S K1:KDC-4015 K2:KDC-315S K5:KDC-315V M1:KDC-4016 M4:KDC-4016CG

## PARTS LIST

\*New Parts

Parts without **Parts No.** are not supplied.

Les articles non mentionnes dans le **Parts No.** ne sont pas fournis.

Teile ohne **Parts No.** werden nicht geliefert.

**ELECTRIC UNIT (X25-8430-XX)  
CD PLAYER UNIT (X32-4600-00)**

Ref. No.	A d d	N e w	Parts No.	Description	Dest inati on
D164-166			1SS133	DIODE	
D200,201			MA4062-L	ZENER DIODE	
D204			MA4062-L	ZENER DIODE	
D207,208			MA4062-L	ZENER DIODE	
D209,210			MA4068(N)-M	ZENER DIODE	
D211			MA4051(N)-M	ZENER DIODE	
D250,251			DA204K	DIODE	
IC1		*	UPD780058GC144	MI-COM IC	
IC2		*	TDA7400D	ANALOGUE IC	
IC3			PST9130NR	ANALOGUE IC	
IC4	2D		TDA7386	ANALOGUE IC	
IC5			HD74HC27FP	MOS-IC	
Q1	2D		2SB1565F(E,F)	TRANSISTOR	
Q2			2SC1740S	TRANSISTOR	
Q3			DTA124EK	DIGITAL TRANSISTOR	
Q3			UN2112	DIGITAL TRANSISTOR	
Q4			DTC144EK	DIGITAL TRANSISTOR	
Q4			UN2213	DIGITAL TRANSISTOR	
Q5			2SB1184	TRANSISTOR	
Q6			2SC1740S	TRANSISTOR	
Q7	2D		2SD2396F40	TRANSISTOR	
Q8			DTC144EK	DIGITAL TRANSISTOR	
Q8			UN2213	DIGITAL TRANSISTOR	
Q9			DTA124EK	DIGITAL TRANSISTOR	
Q9			UN2112	DIGITAL TRANSISTOR	
Q10			2SB1184	TRANSISTOR	
Q11 -13			2SC1740S	TRANSISTOR	
Q14			2SA1036K	TRANSISTOR	M1M4
Q15			2SB1277(Q,R)	TRANSISTOR	M1M4
Q16			DTC114YK	DIGITAL TRANSISTOR	M1M4
Q16			UN2214	DIGITAL TRANSISTOR	
Q17			2SB1277(Q,R)	TRANSISTOR	
Q18			2SA1037K	TRANSISTOR	
Q19			DTA124EK	DIGITAL TRANSISTOR	
Q19			UN2112	DIGITAL TRANSISTOR	
Q20			DTC114YK	DIGITAL TRANSISTOR	
Q20			UN2214	DIGITAL TRANSISTOR	
Q50			DTC144EK	DIGITAL TRANSISTOR	
Q50			UN2213	DIGITAL TRANSISTOR	
Q150			DTC114YK	DIGITAL TRANSISTOR	
Q150			UN2214	DIGITAL TRANSISTOR	
Q151-154			DTC143TK	DIGITAL TRANSISTOR	KK1M1
Q151-154			DTC143TK	DIGITAL TRANSISTOR	M4
Q151-154			UN2216	DIGITAL TRANSISTOR	KK1M1
Q151-154			UN2216	DIGITAL TRANSISTOR	M4
Q153,154			DTC143TK	DIGITAL TRANSISTOR	K2K5
Q153,154			UN2216	DIGITAL TRANSISTOR	K2K5
Q155			DTA124EK	DIGITAL TRANSISTOR	
Q155			UN2112	DIGITAL TRANSISTOR	
Q156			DTC144EK	DIGITAL TRANSISTOR	
Q156			UN2213	DIGITAL TRANSISTOR	
Q200			2SB1277(Q,R)	TRANSISTOR	
Q201			DTC124EK	DIGITAL TRANSISTOR	
Q201			UN2212	DIGITAL TRANSISTOR	
Q202			2SB1277(Q,R)	TRANSISTOR	

Ref. No.	A d d	N e w	Parts No.	Description	Dest inati on
Q203			DTC124EK	DIGITAL TRANSISTOR	
Q203			UN2212	DIGITAL TRANSISTOR	
Q207			2SA1037K	TRANSISTOR	
TH1			PTH9C42BD471Q	POSITIVE RESISTOR	
A1	3D	*	X86-3160-11	FRONT-END UNIT	
<b>CD PLAYER UNIT (X32-4600-00)</b>					
C1 ,2			CK73FB1A105K	CHIP C 1.0UF K	
C3			C92-1359-05	CHIP-TAN 10UF 16WV	
C4			C92-0566-05	CHIP-TAN 10UF 6.3WV	
C5			CC73FCH1H220J	CHIP C 22PF J	
C6			CC73FCH1H020C	CHIP C 2.0PF C	
C7			CK73FB1C104K	CHIP C 0.10UF K	
C8			CK73FB1A105K	CHIP C 1.0UF K	
C9			CC73FCH1H101J	CHIP C 100PF J	
C10			CK73FB1H472K	CHIP C 4700PF K	
C11			CK73FB1H682K	CHIP C 6800PF K	
C12			CK73FB1H222K	CHIP C 2200PF K	
C13			CK73FB1H273K	CHIP C 0.027UF K	
C14			CK73FB1H472K	CHIP C 4700PF K	
C15			CK73FB1E473K	CHIP C 0.047UF K	
C16			CC73FCH1H101J	CHIP C 100PF J	
C17			CK73FB1H472K	CHIP C 4700PF K	
C18			CK73FB1H391K	CHIP C 390PF K	
C19 ,20			CK73FB1C104K	CHIP C 0.10UF K	
C21			C92-1359-05	CHIP-TAN 10UF 16WV	
C22			CK73FB1C104K	CHIP C 0.10UF K	
C23			CK73FB1H102K	CHIP C 1000PF K	
C24			CK73FB1H223K	CHIP C 0.022UF K	
C25			CK73FB1H123K	CHIP C 0.012UF K	
C26			CK73FB1A105K	CHIP C 1.0UF K	
C28			CK73FB1A105K	CHIP C 1.0UF K	
C29			CK73FB1C104K	CHIP C 0.10UF K	
C31 ,32			CK73FB1H103K	CHIP C 0.010UF K	
C33			CK73FB1C104K	CHIP C 0.10UF K	
C34			CK73EF1C335Z	CHIP C 3.3UF Z	
C35			CK73FB1C104K	CHIP C 0.10UF K	
C40			CK73FB1H471K	CHIP C 470PF K	
C41			CK73EB1C225K	CHIP C 2.2UF K	
C43			CK73FB1H103K	CHIP C 0.010UF K	
C44			CK73FB1C104K	CHIP C 0.10UF K	
C45			CK73FB1H183K	CHIP C 0.018UF K	
C46			CK73FB1E473K	CHIP C 0.047UF K	
C51			CK73EF1C335Z	CHIP C 3.3UF Z	
C53			C92-1359-05	CHIP-TAN 10UF 16WV	
C54			CK73FB1C104K	CHIP C 0.10UF K	
C55 ,56			CK73FB1A105K	CHIP C 1.0UF K	
C61 ,62			CK73FB1H471K	CHIP C 470PF K	
C63 ,64			CC73FCH1H680J	CHIP C 68PF J	
C65 ,66			C93-1044-05	CERAMIC 2200PF K	
C101			CC73FCH1H181J	CHIP C 180PF J	
C102			CK73FB1C104K	CHIP C 0.10UF K	
CN1			E40-9536-05	FLAT CABLE CONNECTOR (16P)	
CN2			E40-9339-05	FLAT CABLE CONNECTOR (22P)	

K:KDC-415S K1:KDC-4015 K2:KDC-315S K5:KDC-315V M1:KDC-4016 M4:KDC-4016CG

⚠ indicates safety critical components.

## PARTS LIST

\*New Parts

Parts without **Parts No.** are not supplied.

Les articles non mentionnes dans le **Parts No.** ne sont pas fournis.

Teile ohne **Parts No.** werden nicht geliefert.

### CD PLAYER UNIT (X32-4600-00) CD MECHANISM ASSY (X92-3590-00)

Ref. No.	A d d	N e w	Parts No.	Description	Dest inati on
L1			L40-1001-78	SMALL FIXED INDUCTOR(10UH)	
L2			L92-0308-05	FERRITE CORE	
X1			L78-0572-05	RESONATOR (16.93MHZ)	
CP1 -3			R90-1019-05	MULTI-COMP 100 X2	
R1			RK73FB2A243J	CHIP R 24K J 1/10W	
R2			RK73FB2A183J	CHIP R 18K J 1/10W	
R3			RK73FB2A154J	CHIP R 150K J 1/10W	
R4			RK73FB2A155J	CHIP R 1.5M J 1/10W	
R5			RK73FB2A910J	CHIP R 91 J 1/10W	
R6			RK73FB2A154J	CHIP R 150K J 1/10W	
R7			RK73FB2A155J	CHIP R 1.5M J 1/10W	
R8			RK73EB2B4R7J	CHIP R 4.7 J 1/8W	
R9			RK73EB2B100J	CHIP R 10 J 1/8W	
R10 ,11			RK73FB2A912J	CHIP R 9.1K J 1/10W	
R12			RK73FB2A562J	CHIP R 5.6K J 1/10W	
R13			RK73FB2A683J	CHIP R 68K J 1/10W	
R14 ,15			RK73FB2A824J	CHIP R 820K J 1/10W	
R16			RK73FB2A223J	CHIP R 22K J 1/10W	
R17			RK73FB2A393J	CHIP R 39K J 1/10W	
R18			RK73FB2A392J	CHIP R 3.9K J 1/10W	
R19			RK73FB2A333J	CHIP R 33K J 1/10W	
R20			RK73FB2A104J	CHIP R 100K J 1/10W	
R21			RK73FB2A224J	CHIP R 220K J 1/10W	
R31			RK73FB2A102J	CHIP R 1.0K J 1/10W	
R32			RK73FB2A104J	CHIP R 100K J 1/10W	
R34			RK73FB2A683J	CHIP R 68K J 1/10W	
R35			RK73FB2A104J	CHIP R 100K J 1/10W	
R36			RK73FB2A151J	CHIP R 150 J 1/10W	
R37			RK73FB2A471J	CHIP R 470 J 1/10W	
R38			RK73FB2A224J	CHIP R 220K J 1/10W	
R39			RK73FB2A225J	CHIP R 2.2M J 1/10W	
R40			RK73FB2A105J	CHIP R 1.0M J 1/10W	
R42			RK73FB2A472J	CHIP R 4.7K J 1/10W	
R44			RK73FB2A512J	CHIP R 5.1K J 1/10W	
R45			RK73FB2A103J	CHIP R 10K J 1/10W	
R46			RK73FB2A102J	CHIP R 1.0K J 1/10W	
R47			RK73FB2A103J	CHIP R 10K J 1/10W	
R49			RK73FB2A472J	CHIP R 4.7K J 1/10W	
R50			RK73FB2A102J	CHIP R 1.0K J 1/10W	
R51			RK73FB2A472J	CHIP R 4.7K J 1/10W	
R52			RK73FB2A104J	CHIP R 100K J 1/10W	
R54			RK73FB2A104J	CHIP R 100K J 1/10W	
R71			RK73FB2A912J	CHIP R 9.1K J 1/10W	
R72			RK73FB2A122J	CHIP R 1.2K J 1/10W	
R73			RK73FB2A393J	CHIP R 39K J 1/10W	
R74			RK73FB2A103J	CHIP R 10K J 1/10W	
R75			RK73FB2A333J	CHIP R 33K J 1/10W	
R76			RK73FB2A622J	CHIP R 6.2K J 1/10W	
R77			RK73FB2A393J	CHIP R 39K J 1/10W	
R78			RK73FB2A153J	CHIP R 15K J 1/10W	
R79			RK73FB2A242J	CHIP R 2.4K J 1/10W	
R80			RK73FB2A202J	CHIP R 2.0K J 1/10W	
R81			RK73FB2A333J	CHIP R 33K J 1/10W	
R82			RK73FB2A682J	CHIP R 6.8K J 1/10W	

Ref. No.	A d d	N e w	Parts No.	Description	Dest inati on
R83			RK73FB2A681J	CHIP R 680 J 1/10W	
R91 ,92			RK73FB2A332J	CHIP R 3.3K J 1/10W	
R93 ,94			RK73FB2A562J	CHIP R 5.6K J 1/10W	
R101-106			RK73FB2A203J	CHIP R 20K J 1/10W	
R107,108			RK73FB2A331J	CHIP R 330 J 1/10W	
R202			RK73FB2A392J	CHIP R 3.9K J 1/10W	
R203,204			RK73FB2A244J	CHIP R 240K J 1/10W	
R205			RK73FB2A221J	CHIP R 220 J 1/10W	
S1 ,2			S68-0822-05	PUSH SWITCH	
S3			S68-0823-05	PUSH SWITCH	
D1 ,2			DAN202U	DIODE	
D3			DA204K	DIODE	
IC1			AN8806SB	ANALOGUE IC	
IC2			MN662770KA7	MOS-IC	
IC4			BA5917AFP	ANALOGUE IC	
IC5			TA78L05F	IC(VOLTAGE REGULATOR/ +5V)	
IC6			NJM4565MD	IC(OP AMP X2)	
Q1			2SA1362(Y)	TRANSISTOR	
Q2			DTC124EUA	DIGITAL TRANSISTOR	
Q3 ,4			2SA1362(Y)	TRANSISTOR	
Q5			DTC124EUA	DIGITAL TRANSISTOR	
Q6			2SA1576A	TRANSISTOR	
<b>CD MECHANISM ASSY (X92-3590-00)</b>					
1	2A		A10-4224-41	CHASSIS	
2	1B		A10-4225-33	CHASSIS CALKING ASSY	
3	2B		A11-0915-43	SUB CHASSIS CALKING ASSY	
5	2A		D10-3082-13	ARM	
6	2A		D10-4306-04	ARM ASSY	
7	2A		D10-4305-04	ARM ASSY	
8	3A		D10-3087-44	ARM ASSY	
9	3B		D10-3092-03	SLIDER	
10	3B		D10-3093-04	SLIDER ASSY	
11	2B		D10-3095-04	SLIDER ASSY	
12	2B		D10-3096-04	SLIDER ASSY	
13	1A		D10-3099-24	SLIDER ASSY	
14	1A		D10-3100-04	SLIDER ASSY	
16	1B		D10-4004-04	LEVER ASSY	
17	1B		D10-4006-04	LEVER	
18	1A		D10-4007-04	LEVER	
19	2B		D10-4008-14	LEVER	
20	2A		D10-4009-23	ARM	
21	3A		D10-4010-04	LEVER	
22	3A		D10-4011-34	LEVER ASSY	
23	3A		D10-4013-14	ARM ASSY	
24	3B		D10-4050-04	ARM	
25	2A		D10-4038-23	ARM ASSY	
26	2A		D10-4123-24	LEVER ASSY	
27	3A		D13-1340-13	RACK (GEAR)	
29	3B		D13-1231-04	GEAR	
30	3A		D13-1240-04	GEAR	
31	3B		D13-1233-04	GEAR	
32	3B		D13-1234-14	GEAR ASSY	
33	3A		D13-1238-03	GEAR	

K:KDC-415S K1:KDC-4015 K2:KDC-315S K5:KDC-315V M1:KDC-4016 M4:KDC-4016CG

# PARTS LIST

\*New Parts

Parts without **Parts No.** are not supplied.

Les articles non mentionnes dans le **Parts No.** ne sont pas fournis.

Teile ohne **Parts No.** werden nicht geliefert.

## CD MECHANISM ASSY (X92-3590-00)

Ref. No.	A d d	N e w	Parts No.	Description	Dest inati on
34	3B		D13-1232-04	GEAR	
35	3B		D13-1241-04	GEAR	
36	3A		D13-1242-04	GEAR	
37	1B		D13-1243-04	GEAR	
38	1B		D13-1244-04	GEAR	
39	1B		D13-1245-14	GEAR	
40	2A		D13-1246-04	GEAR	
41	2B		D13-1247-04	GEAR	
43	2B		D13-1249-04	GEAR ASSY	
44	2B		D13-1341-04	GEAR ASSY	
45	1B		D14-0668-04	ROLLER	
46	2A		D14-0670-04	ROLLER	
47	3B		D14-0674-04	ROLLER	
49	3A		D21-2228-14	SHAFT	
50	1A		D21-2229-04	SHAFT	
51	1A		D23-0925-24	RETAINER	
52	2A		D32-0614-04	STOPPER	
53	1B		D39-0223-05	DAMPER (YELLOW)	
54	2B		D39-0224-05	DAMPER (BLACK)	
55	3B		F09-1246-04	SHEET	
58	3B		F09-1266-14	SHEET	
60	2A		G01-2770-04	EXTENSION SPRING	
61	3A		G01-2771-04	EXTENSION SPRING	
62	3A		G01-2772-24	EXTENSION SPRING	
63	3A		G01-2773-14	EXTENSION SPRING	
64	3A		G01-2774-34	EXTENSION SPRING	
65	1B		G01-2775-04	TORSION COIL SPRING	
66	1B		G01-2776-14	TORSION COIL SPRING	
67	3B		G01-2777-24	TORSION COIL SPRING	
69	2A		G01-2844-04	EXTENSION SPRING	
70	2A		G02-1231-04	FLAT SPRING	
71	2B		G02-1232-14	FLAT SPRING	
72	2A		G02-1241-24	FLAT SPRING	
73	2A		G02-1248-14	FLAT SPRING	
75	2A		J11-0613-13	CLAMPER	
76	3A		J19-4678-13	HOLDER	
77	2B		J19-4679-24	HOLDER	
78	3B		J21-7684-13	MOUNTING HARDWARE	
79	3B		J21-7686-13	MOUNTING HARDWARE	
80	1B		J21-7690-03	MOUNTING HARDWARE	
81	3A		J31-1032-04	COLLAR	
82	3A		J84-0060-25	FLEXIBLE PRINTED WIRING BOARD	
83	1A		J90-0757-22	GUIDE	
A	2A		N09-4249-05	MACHINE SCREW (M1.7X2.5,LOCK)	
B	1B		N09-4172-05	TAPPING SCREW (2X3.5,C)	
C	2B		N09-4202-05	STEPPED SCREW	
D	2A		N38-2020-46	PAN HEAD MACHIN SCREW	
E	3B		N09-4294-05	TAPTITE SCREW (BIND P TAPTIT)	
F	3B		N19-2023-04	FLAT WASHER	
G	2A		N19-2058-04	FLAT WASHER	
H	3A		N19-2093-04	FLAT WASHER	
J	2A		N39-2020-46	PAN HEAD MACHIN SCREW	
DM1	3B		T42-0764-04	DC MOTOR ASSY	

Ref. No.	A d d	N e w	Parts No.	Description	Dest inati on
DM2	3B		T42-0763-04	DC MOTOR ASSY	
DPU1	2B		T25-0209-05	OPTICAL PICKUP HEAD	