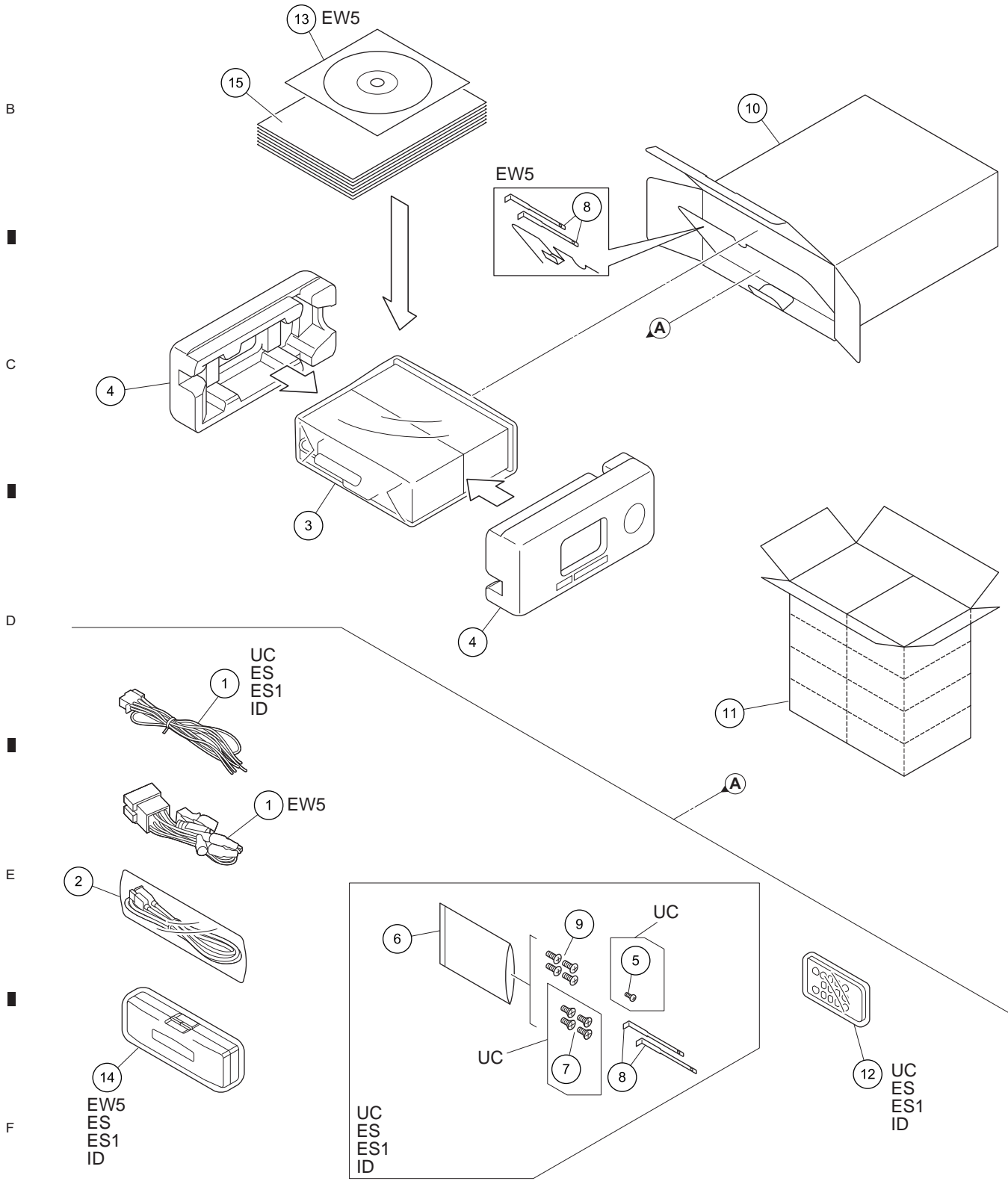


9. EXPLODED VIEWS AND PARTS LIST

- NOTES :
- Parts marked by "*" are generally unavailable because they are not in our Master Spare Parts List.
 - The \triangle mark found on some component parts indicates the importance of the safety factor of the part. Therefore, when replacing, be sure to use parts of identical designation.
 - Screw adjacent to ∇ mark on the product are used for disassembly.
 - For the applying amount of lubricants or glue, follow the instructions in this manual.
(In the case of no amount instructions, apply as you think it appropriate.)

9.1 PACKING



(1) PACKING SECTION PARTS LIST

<u>Mark No.</u>	<u>Description</u>	<u>Part No.</u>	<u>Mark No.</u>	<u>Description</u>	<u>Part No.</u>
1	Cord Assy	See Contrast table(2)	12	Card Remote Control Unit	See Contrast table(2)
2	USB Extended Cable	CDP1585	13	IM CD-ROM	See Contrast table(2)
3	Polyethylene Bag	See Contrast table(2)	14	Case Assy	See Contrast table(2)
4	Protector	CHP4594	15-1	Owner's Manual	See Contrast table(2)
5	Screw	See Contrast table(2)	*	15-2 Warranty Card	See Contrast table(2)
6	Polyethylene Bag	See Contrast table(2)	*	15-3 Caution Card	See Contrast table(2)
7	Screw	See Contrast table(2)	*	15-4 Caution Card	See Contrast table(2)
8	Handle	QNC3021	*	15-5 Caution Card	See Contrast table(2)
9	Screw	See Contrast table(2)	15-6	Quick Start Guide	See Contrast table(2)
10	Unit Box	See Contrast table(2)	15-7	Installation Manual	See Contrast table(2)
11	Contain Box	See Contrast table(2)	*	15-8 Service Network	See Contrast table(2)

(2) CONTRAST TABLE

DEH-X7500S/XNUC, DEH-X7500SD/XNEW5, DEH-X7550SD/XNES, DEH-X7550SD/XNES1 and DEH-X7590SD/XNID are constructed the same except for the following:

<u>Mark</u>	<u>No.</u>	<u>Description</u>	<u>DEH-X7500S/XNUC</u>	<u>DEH-X7500SD/XNEW5</u>	<u>DEH-X7550SD/XNES</u>	<u>DEH-X7550SD/XNES1</u>	<u>DEH-X7590SD/XNID</u>
	1	Cord Assy	CDP1484	QDP3024	CDP1484	CDP1484	CDP1484
	3	Polyethylene Bag	CEG1173	QEG3001	QEG3001	QEG3001	QEG3001
	5	Screw	BPZ20P060FTC	Not used	Not used	Not used	Not used
	6	Polyethylene Bag	CEG1160	Not used	CEG1160	CEG1160	CEG1160
	7	Screw	CRZ50P090FTC	Not used	Not used	Not used	Not used
	9	Screw	TRZ50P080FTC	Not used	TRZ50P080FTC	TRZ50P080FTC	TRZ50P080FTC
	10	Unit Box	QHG3412	QHG3409	QHG3410	QHG3411	QHG3413
	11	Contain Box	QHL3410	QHL3409	QHL3411	QHL3412	QHL3413
	12	Card Remote Control Unit	QXE1047	Not used	QXE1047	QXE1047	QXE1047
	13	IM CD-ROM	Not used	QPJ3018	Not used	Not used	Not used
	14	Case Assy	Not used	YXA5856	YXA5856	YXA5856	YXA5856
	15-1	Owner's Manual	QRD3150	Not used	QRD3151	QRD3151	QRB3309
*	15-2	Warranty Card	QRY3001	CRY1376	Not used	CRY1394	CRY1304
*	15-3	Caution Card	Not used	QRP3016	Not used	Not used	Not used
*	15-4	Caution Card	Not used	CRP1438	Not used	Not used	Not used
*	15-5	Caution Card	Not used	CRP1441	Not used	Not used	Not used
	15-6	Quick Start Guide	Not used	QRD3148	Not used	Not used	Not used
	15-7	Installation Manual	Not used	QRD3149	Not used	Not used	Not used
*	15-8	Service Network	Not used	Not used	Not used	CRY1395	CRY1305

Owner's Manual, Installation Manual

<u>Part No.</u>	<u>Language</u>
QRD3150	English, French, Spanish(Espanol)
QRD3148	English, French, Italian, Spanish(Espanol), German, Dutch, Russian
QRD3149	English, French, Italian, Spanish(Espanol), German, Dutch, Russian
QRD3151	English, Spanish(Espanol), Portuguese(B), Traditional Chinese, Arabic, Persian
QRB3309	English

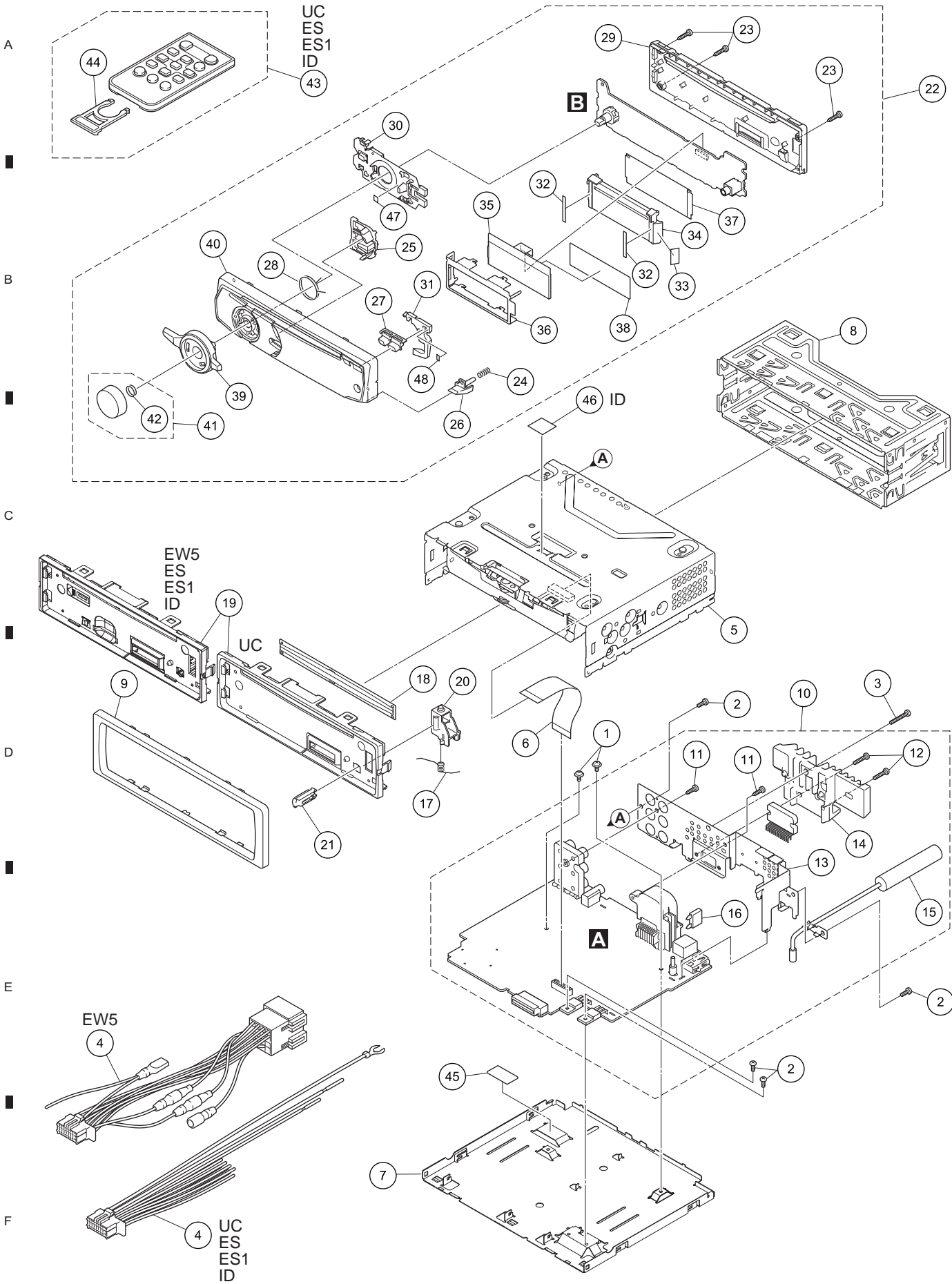
9.2 EXTERIOR

1

2

3

4



1

2

3

4

(1) EXTERIOR SECTION PARTS LIST

<u>Mark No.</u>	<u>Description</u>	<u>Part No.</u>	<u>Mark No.</u>	<u>Description</u>	<u>Part No.</u>
1	Screw	ASZ26P050FTC	26	Button (DETACH)	QAC3098
2	Screw	BSZ26P060FTC	27	Button (EJECT, CLOCK)	QAC3105
3	Screw	BSZ26P120FTC	28	Spring	QBH3005
4	Cord Assy	See Contrast table(2)	29	Cover	QNS3446
5	CD Mechanism Module (S11.6)	CXK5804	30	Lighting Conductor	QNV3063
6	FFC	QDE3029	31	Lighting Conductor	QNV3064
7	Case	QNB3009	32	Tape	QNM3063
8	Holder	QNC3020	33	Sheet	QNM3076
9	Panel	QNS3447	34	Lighting Conductor	QNV3067
10	Tuner Amp Unit	See Contrast table(2)	35	STN LCD	YAW5112
11	Screw	BPZ26P080FTC	36	Holder	YNC5101
12	Screw	BSZ26P120FTC	37	Sheet	YNM5187
13	Holder	See Contrast table(2)	38	Sheet	YNM5200
14	Heat Sink	See Contrast table(2)	39	Lever Unit	QXA3725
15	Antenna Attached Cable	YDH5001	40	Grille Unit	See Contrast table(2)
⚠ 16	Fuse (10A)	YEK5001	41	Knob Unit	YXC5158
17	Spring	QBH3001	42	Spring	YBL5010
18	Cover	QNM3029	43	Card Remote Control Unit	See Contrast table(2)
19	Panel	See Contrast table(2)	44	Cover	See Contrast table(2)
20	Arm	QNV3025	45	Sheet	YNM5198
21	Button	QNV3026	46	Label	See Contrast table(2)
22	Detachable Grille Assy	See Contrast table(2)	47	Sheet	QNM3084
23	Screw	BPZ20P100FTC	48	Sheet	QNM3085
24	Spring	CBH2210			
25	Button (MIX, UP/DOWN)	QAC3097			

(2) CONTRAST TABLE

DEH-X7500S/XNUC, DEH-X7500SD/XNEW5, DEH-X7550SD/XNES, DEH-X7550SD/XNES1 and DEH-X7590SD/XNID are constructed the same except for the following:

<u>Mark</u>	<u>No.</u>	<u>Description</u>	<u>DEH-X7500S/XNUC</u>	<u>DEH-X7500SD/XNEW5</u>	<u>DEH-X7550SD/XNES</u>	<u>DEH-X7550SD/XNES1</u>	<u>DEH-X7590SD/XNID</u>
	4	Cord Assy	CDP1484	QDP3024	CDP1484	CDP1484	CDP1484
	10	Tuner Amp Unit	QWM3572	QWM3571	QWM3573	QWM3573	QWM3579
	13	Holder	QNC3061	YNC5109	YNC5109	YNC5109	YNC5109
	14	Heat Sink	QNR3010	QNR3010	QNR3002	QNR3002	QNR3002
	19	Panel	QNS3449	QNS3448	QNS3448	QNS3448	QNS3448
	22	Detachable Grille Assy	QXA3792	QXA3791	QXA3793	QXA3793	QXA3794
	40	Grille Unit	QXA3775	QXA3776	QXA3777	QXA3777	QXA3778
	43	Card Remote Control Unit	QXE1047	Not used	QXE1047	QXE1047	QXE1047
	44	Cover	CNS7068	Not used	CNS7068	CNS7068	CNS7068
	46	Label	Not used	Not used	Not used	Not used	CNN3533

9.3 CD MECHANISM MODULE

A

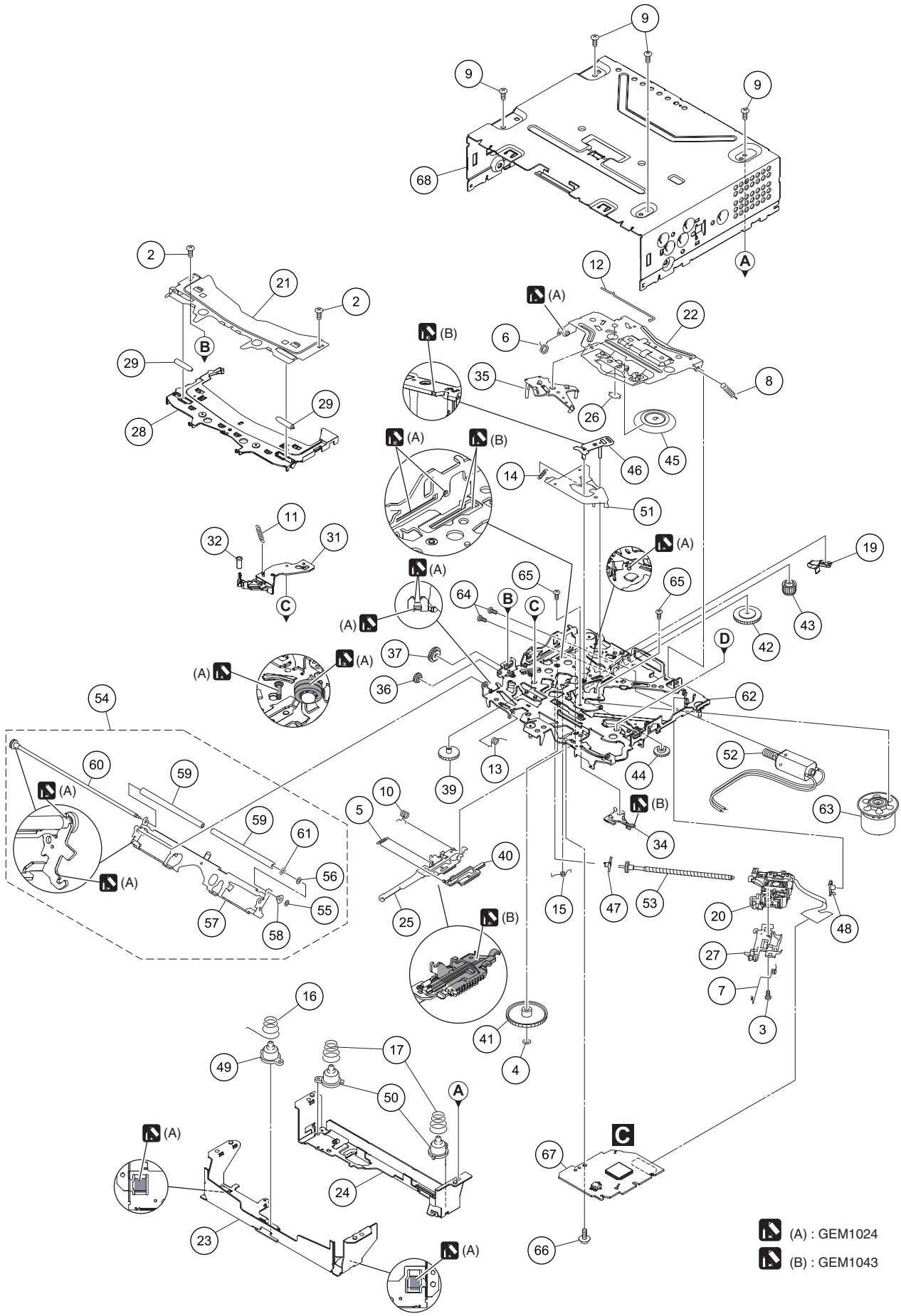
B

C

D

E

F



(A) : GEM1024
 (B) : GEM1043

5 6 7 8
CD MECHANISM MODULE SECTION PARTS LIST

<u>Mark No.</u>	<u>Description</u>	<u>Part No.</u>	<u>Mark No.</u>	<u>Description</u>	<u>Part No.</u>
1		50	Damper	CNW1198
2	Screw	BSZ20P040FTC	51	Arm	CNW1726
3	Screw(M2 x 4)	CBA1835	52	Motor Unit(M2)(LOAD/CRG)	CXC4026
4	Washer	CBF1038	53	Screw Unit	CXC8894
5	Spring	CBH3010	54	Arm Assy	CXE6232
6	Spring	CBH2855	55	Washer	CBF1037
7	Spring	CBH2856	56	Washer	CBF1038
8	Spring	CBH2860	57	Arm	CND6242
9	Screw	BSZ26P060FTC	58	Collar	CNW2444
10	Spring	CBH3011	59	Roller	CNW2500
11	Coil Spring	CBH3095	60	Gear Unit	CXE6225
12	Spring	CBH3014	61	Washer	YE15FTC
13	Spring	CBH3015	62	Chassis Unit	CXE4528
14	Spring	CBH3016	63	Motor Unit(M1)(SPDL)	CXE2273
15	Spring	CBH3017	64	Screw	JFZ20P025FTC
16	Spring	CBH3086	65	Screw	JGZ17P022FTC
17	Spring	CBH3019	66	Screw	EBA1028
18		67	CD Core Unit (S11.6STD)	CWX4023
19	Leaf Spring	CBL1824	68	Chassis	CNA3181
20	Pickup Unit(P10.6)(Service)	CXX3556			
21	Bracket	CND4553			
22	Arm	CND6406			
23	Bracket	CND6127			
24	Bracket	CND5710			
25	Lever	CND5398			
26	Sheet	CNN3678			
27	Rack	CNV8342			
28	Guide	CNW2240			
29	Roller	CNW1172			
30				
31	Arm	CNW2241			
32	Roller	CNW1175			
33				
34	Arm	CNW1177			
35	Arm	CNW1178			
36	Gear	CNW1180			
37	Gear	CNW1181			
38				
39	Gear	CNW1183			
40	Rack	CNW1184			
41	Gear	CNW1185			
42	Gear	CNW1186			
43	Gear	CNW1187			
44	Gear	CNW2287			
45	Clamper	CNW1190			
46	Arm	CNW1192			
47	Holder	CNW1193			
48	Holder	CNW1194			
49	Damper	CNW1197			

12. ELECTRICAL PARTS LIST

NOTE:

- Parts whose parts numbers are omitted are subject to being not supplied.
- The part numbers shown below indicate chip components.

Chip Resistor

RS1/○S○○○○J,RS1/○○S○○○○J

Chip Capacitor (except for CQS.....)

CKS....., CCS....., CSZS.....

- The \triangle mark found on some component parts indicates the importance of the safety factor of the part. Therefore, when replacing, be sure to use parts of identical designation.
- Meaning of the figures and others in the parentheses in the parts list.

Example) IC 301 is on the point (face A, 91 of x-axis, and 111 of y-axis) of the corresponding PC board.

IC 301 (A, 91, 111) IC NJM2068V

- The expression of the unit in this manual is shown by u instead of μ . Please do not make a mistake.

	<u>Circuit Symbol and No.</u>	<u>Part No.</u>	<u>Circuit Symbol and No.</u>	<u>Part No.</u>
A:	DEH-X7500S/XNUC		(A,106,65) IC(B)	PEQ115A8
B:	DEH-X7500SD/XNEW5	IC 603	(A,106,65) IC(C,D,E)	PEQ116A8
C:	DEH-X7550SD/XNES	IC 604	(A,127,46) IC	S-80827CNMC-B8M
D:	DEH-X7550SD/XNES1	IC 605	(A,101,82) IC(A)	TC7SH126FU
E:	DEH-X7590SD/XNID	IC 605	(A,97,82) L-MOS And Gate(A)	TC7SET08FUS1
Unit Number:	QWM3572(A)	IC 651	(A,70,68) IC	R5S726B0D216FP
Unit Number:	QWM3571(B)	IC 701	(A,43,70) IC	M12L64164A-5TG2Y
Unit Number:	QWM3573(C,D)	IC 721	(A,33,92) Regulator IC	S-1155B12-U5
Unit Number:	QWM3579(E)	IC 731	(A,72,89) Flash ROM Unit	PEB055A8
Unit Name :	Tuner Amp Unit	IC 741	(A,84,52) IC(A,B)	MX25L4006EM2I-12G
Unit Number:		IC 881	(A,54,93) IC	337S3959
Unit Name :	Keyboard Unit	IC 901	(A,13,63) Regulator IC	BD9876EFJ
Unit Number:	CWX4023	IC 931	(A,27,57) Regulator IC	S-1172B33-E6
Unit Name :	CD Core Unit (S11.6STD)	IC 941	(A,140,42) IC	NJM2388F84
		IC 991	(A,116,110) IC	TPD1052F
		Q 181	(A,92,109) Transistor	LSCR523UB
		Q 182	(A,99,110) FET	RSF014N03
		Q 183	(A,93,105) Transistor	DRC9A43E0
		Q 301	(A,11,130) Transistor	IMH23
		Q 302	(A,19,130) Transistor	IMH23
		Q 303	(A,28,130) Transistor	IMH23
		Q 321	(A,91,123) Transistor	LTC014YEB
		Q 351	(A,59,133) Transistor	LSCR523UB
		Q 352	(A,61,129) Chip Transistor	RN4983
		Q 353	(A,66,130) Transistor	LTC014EEB
		Q 471	(A,119,88) Transistor(A)	2SB1132
		Q 472	(A,125,94) Transistor(A)	2SD1664
		Q 473	(A,118,82) Transistor(A)	LTC014EEB
		Q 701	(A,34,84) Transistor	LSAR523UB
		Q 771	(A,155,41) Transistor	2SD2396
		Q 772	(A,153,46) Chip Transistor	RN4983
		Q 831	(A,114,28) Transistor	2SA1577
		Q 832	(A,114,31) Transistor	LTC143EUB
		Q 841	(A,107,29) Transistor	LSAR523UB
		Q 842	(A,110,31) Transistor	LTC014EEB
		Q 851	(A,53,40) Chip Transistor(B,C,D,E)	2SB1689
		Q 852	(A,55,40) Transistor(B,C,D,E)	LTC014EEB
		Q 853	(A,58,40) Transistor(B,C,D,E)	DTA123EU
		Q 881	(A,50,87) Transistor	LSAR523UB
		Q 921	(A,20,54) Transistor	2SD2153
		PM9012A		
		TK11840L		
		AN33014UA		
		PA2030A		
		WM8761BGED		
		NJM2885DL1-05		
		TDA7706		
		PEQ114A8		

5		6		7		8	
<u>Circuit Symbol and No.</u>		<u>Part No.</u>		<u>Circuit Symbol and No.</u>		<u>Part No.</u>	
Q 922	(A,21,59) Chip Transistor	RN4983		P 401	(A,152,112) Surge Absorber	IMSA-6803-01Y900	
Q 931	(A,42,52) Chip Transistor	RN1903		△P471	(A,127,99) Fuse 0.75 A(A)	CEK1380	
Q 951	(A,143,130) Chip Transistor	HN1C01FU		BZ601	(A,87,29) Buzzer	CPV1062	
Q 961	(A,93,120) Transistor	LTC014EEB		VA121	(A,38,132) Varistor	VR105C5R0AAA	A
D 181	(B,94,106) Diode	RKZ15KG(B2)		VA122	(A,50,133) Varistor	VR105C5R0AAA	
D 182	(A,97,113) Diode	RB551VM-30		VA201	(B,161,137) Varistor	EZJZ1V800AM	
D 201	(A,45,109) Diode	RB070M-30		VA202	(B,165,137) Varistor	EZJZ1V800AM	
D 202	(B,58,119) Diode	RB050LA-30		VA801	(B,102,22) Varistor	EZJZ1V270RM	
D 351	(A,56,129) Diode	DA2J101		VA802	(B,113,22) Varistor	EZJZ1V270RM	
D 352	(A,56,131) Diode	RKZ8.2KG(B2)		VA803	(B,119,22) Varistor	EZJZ1V270RM	
D 353	(A,62,132) Diode	DAN202UM		VA804	(B,117,22) Varistor	EZJZ1V270RM	
D 401	(A,149,102) Diode	RN731VN		VA805	(B,115,22) Varistor	EZJZ1V270RM	
D 402	(A,148,95) Diode	RN731VN		VA806	(B,121,22) Varistor	EZJZ1V270RM	
D 471	(A,121,95) Diode(A)	RKZ16KG(B2)		VA807	(B,122,22) Varistor	EZJZ1V270RM	B
D 603	(A,127,50) Diode	DA2J101		VA808	(B,120,12) Varistor	EZJZ1V270RM	
D 771	(A,156,46) Diode	RKZ8.2KG(B2)		CN751	(A,116,38) Connector	VKN1192	
D 801	(B,106,22) Diode	DZ2S068C		CN802	(A,111,4) Connector	CKS6452	
D 802	(B,108,22) Diode	DZ2S068C		JA101	(A,145,143) Connector(A)	CKS3806	
D 803	(B,110,22) Diode	DZ2S068C		JA121	(A,45,138) Jack	CKS6437	
D 901	(A,12,68) Diode	RB056L-40		JA201	(A,163,135) USB Jack	CKN1091	
D 902	(B,8,72) Diode	1SR154-400		JA301	(A,22,138) Pin Jack	XKB7001	
D 903	(B,25,54) Diode	CRG03		JA401	(A,157,116) ANT Pigtail Cable	YDH5001	
D 922	(B,20,56) Diode	RKZ5.6KG(B2)		JA851	(A,66,21) Connector(B,C,D,E)	YKS5040	
D 923	(B,12,44) Diode	DA2J101		JA981	(A,116,141) Connector	CKM1613	C
D 924	(B,14,50) Diode(A)	DB2J31400		RESISTORS			
D 951	(A,134,126) Diode	HZU7L(C3)		R 101	(A,152,134) (A)	RS1/10SR0R0J	
D 952	(A,140,131) Diode	HZU7L(A1)		R 102	(B,144,132) (A)	RS1/10SR473J	
D 961	(B,104,125) Diode	CRG03		R 103	(A,148,134) (A)	RS1/16SS102J	
D 981	(A,135,132) Diode	1SR154-400		R 104	(A,148,132) (A)	RS1/16SS102J	
D 982	(A,135,128) Diode	1SR154-400		R 105	(A,147,132) (A)	RS1/16SS102J	
D 991	(B,95,127) Diode	CRG03		R 106	(A,146,132) (A)	RS1/16SS102J	
D 992	(B,119,141) Diode	CRG03		R 107	(A,149,134) (A)	RS1/16SS181J	
L 151	(A,92,115) Inductor	LCTAW6R8J2520		R 108	(B,148,134) (A)	RS1/10SR223J	
L 181	(A,104,110) Choke Coil 47 uH	CTH1388		R 109	(B,148,135) (A)	RS1/16SS223J	
L 201	(A,154,125) Inductor	CTF1713		R 110	(A,150,134) (A)	RS1/16SS181J	D
L 202	(A,50,106) Inductor	CTH1524		R 121	(A,45,129)	RS1/10SR102J	
L 371	(A,58,96) Chip Ferrite Bead	DTL1107		R 122	(A,44,129)	RS1/10SR102J	
L 402	(A,142,97) Inductor	CTF1786		R 151	(A,72,107)	RS1/16SS223J	
L 403	(A,139,99) Inductor	CTF1786		R 152	(A,86,107)	RS1/16SS223J	
L 404	(A,149,98) Chip Coil	LCTAWR15J2520		R 153	(A,73,107)	RS1/16SS331J	
L 405	(A,146,99) Chip Coil	LCTAWR27J2520		R 154	(A,73,124)	RS1/16SS102J	
L 406	(A,140,101) Inductor	CTF1389		R 155	(A,72,124)	RS1/16SS102J	
L 409	(A,133,95) Inductor	LCTC1R5K1608		R 156	(A,73,123)	RS1/16SS102J	
L 410	(A,151,92) Inductor	CTF1786		R 181	(A,94,113)	RS1/16SS681J	
L 411	(A,151,91) Inductor	CTF1786		R 182	(B,106,104)	RS1/10SR0R0J	
L 412	(A,128,87) Chip Coil	LCTAW470J2520		R 183	(A,106,105)	RS1/16SS3003D	
L 414	(A,132,78) Inductor	CTF1786		R 184	(A,105,103)	RS1/16SS1002D	
L 415	(A,146,78) Inductor	CTF1786		R 185	(A,97,108)	RS1/16SS512J	
L 651	(A,83,63) Chip Beads	VTL1126		R 186	(A,99,108)	RS1/16SS0R0J	
L 652	(A,37,88) Inductor(C,D)	CTF1786		R 187	(B,100,107)	RS1/10SR621J	
L 653	(A,44,53) Chip Ferrite Bead	DTL1107		R 189	(A,95,105)	RS1/16SS331J	
L 701	(A,31,78) Chip Ferrite Bead	DTL1107		R 190	(A,95,106)	RS1/16SS4301D	
L 731	(B,75,88) Inductor	CTF1389		R 191	(A,95,104)	RS1/16SS222J	
L 851	(B,55,36) Inductor(B,C,D,E)	CTF1389		R 192	(A,107,111)	RS1/10SR0R0J	
L 901	(A,10,74) Inductor	CTH1521		R 196	(A,94,104)	RS1/16SS3302D	
L 981	(A,114,141) Choke Coil 600 uH	CTH1432		R 202	(A,55,103)	RS1/10SR681J	F
X 401	(A,152,85) Resonator 36.480 MHz	CSS1805		R 203	(A,55,104)	RS1/10SR681J	
X 601	(A,93,66) Resonator 20.000 MHz	CSS1795		R 204	(A,47,113) 0.056 ohm	ACN7160	
X 651	(A,85,66) Resonator 12.000 MHz	YSS5005					
X 652	(A,77,84) Resonator 16.93 MHz	CSS1794					
P 301	(A,37,128) Poly Switch	FSMD075-24R					

	1	2	3	4
	<u>Circuit Symbol and No.</u>	<u>Part No.</u>	<u>Circuit Symbol and No.</u>	<u>Part No.</u>
	R 206 (A,40,103)	RS1/16SS4702D	R 474 (A,117,84) (A)	RS1/16SS1802D
	R 207 (A,37,103)	RS1/16SS224J	R 475 (A,123,82) (A)	RS1/4SA471J
A	R 208 (A,33,117)	RS1/16SS152J	R 476 (A,120,82) (A)	RS1/4SA471J
	R 210 (A,34,116)	RS1/16SS3302D	R 478 (A,123,87) (A)	RS1/10SR103J
	R 211 (A,34,114)	RS1/16SS8201D	R 601 (A,92,35)	RS1/16SS102J
	R 212 (A,35,116)	RS1/16SS223J	R 602 (B,102,71)	RS1/10SR154J
	R 218 (A,151,126)	RS1/16SS0R0J	R 603 (A,98,56)	RS1/16SS222J
	R 219 (A,151,125)	RS1/16SS0R0J	R 604 (A,95,65)	RS1/16SS105J
	R 301 (A,8,129)	RS1/16SS820J	R 607 (A,98,55)	RS1/16SS104J
	R 302 (A,14,129)	RS1/16SS820J	R 608 (A,99,54)	RS1/16SS104J
	R 303 (A,16,129)	RS1/16SS820J	R 609 (A,92,71)	RS1/16SS104J
	R 304 (A,23,129)	RS1/16SS820J	R 610 (A,99,76)	RS1/16SS104J
	R 305 (A,25,129)	RS1/16SS820J	R 611 (A,93,60)	RS1/16SS104J
B	R 306 (A,31,129)	RS1/16SS820J	R 612 (A,93,58)	RS1/16SS104J
	R 307 (A,8,130)	RS1/16SS223J	R 613 (A,105,82)	RS1/16SS104J
	R 308 (A,14,130)	RS1/16SS223J	R 614 (A,96,64)	RS1/16SS104J
	R 309 (A,16,130)	RS1/16SS223J	R 615 (A,96,66)	RS1/16SS101J
	R 310 (A,23,130)	RS1/16SS223J	R 616 (A,101,76) (E)	RS1/16SS104J
	R 311 (A,25,130)	RS1/16SS223J	R 617 (A,103,76) (C,D)	RS1/16SS104J
	R 312 (A,31,130)	RS1/16SS223J	R 618 (B,106,52)	RS1/10SR472J
	R 321 (A,78,125)	RS1/16SS362J	R 619 (A,112,76)	RS1/16SS103J
	R 322 (A,79,125)	RS1/16SS362J	R 620 (B,106,64)	RS1/10SR104J
	R 323 (A,82,125)	RS1/16SS362J	R 621 (A,104,54)	RS1/16SS104J
	R 324 (A,83,125)	RS1/16SS362J	R 622 (B,93,50)	RS1/10SR104J
C	R 325 (A,77,127)	RS1/16SS562J	R 623 (B,95,50)	RS1/10SR104J
	R 326 (A,79,127)	RS1/16SS562J	R 628 (A,116,68)	RS1/16SS104J
	R 327 (A,82,127)	RS1/16SS562J	R 631 (A,116,64)	RS1/16SS104J
	R 328 (A,84,127)	RS1/16SS562J	R 632 (A,116,73)	RS1/16SS472J
	R 329 (B,75,131)	RS1/10SR562J	R 633 (A,116,72)	RS1/16SS472J
	R 330 (B,70,131)	RS1/10SR103J	R 636 (A,124,46)	RS1/16SS104J
	R 331 (B,73,131)	RS1/10SR103J	R 638 (A,123,46)	RS1/16SS152J
	R 350 (A,95,133)	RS1/16SS103J	R 639 (A,122,57)	RS1/16SS104J
	R 351 (A,62,127)	RS1/16SS473J	R 642 (B,94,64)	RS1/10SR104J
	R 352 (A,56,133)	RS1/16SS473J	R 643 (B,98,70)	RS1/10SR104J
	R 353 (B,57,132)	RS1/10SR473J	R 646 (A,119,69)	RS1/16SS104J
D	R 354 (A,56,134)	RS1/16SS104J	R 647 (A,104,82)	RS1/16SS103J
	R 355 (A,69,129)	RS1/16SS103J	R 648 (B,101,82) (A)	RS1/10SR473J
	R 356 (B,57,131)	RS1/10SR102J	R 650 (A,91,73) (A)	RS1/16SS0R0J
	R 358 (A,68,131)	RS1/16SS681J	R 652 (A,80,56) (C,D,E)	RS1/16SS473J
	R 371 (A,78,96)	RS1/16SS821J	R 653 (A,76,49) (C,D,E)	RS1/16SS473J
	R 372 (A,78,94)	RS1/16SS821J	R 657 (A,87,62)	RS1/16SS101J
	R 401 (A,144,103)	RS1/16SS105J	R 660 (B,84,69)	RS1/10SR221J
	R 402 (A,152,102)	RS1/16SS221J	R 661 (B,58,86)	RS1/10SR221J
	R 403 (A,151,95)	RS1/16SS751J	R 662 (A,84,62)	RS1/16SS101J
	R 404 (A,131,95)	RS1/16SS331J	R 663 (A,83,67)	RS1/16SS332J
	R 405 (A,135,95)	RS1/16SS105J	R 664 (B,77,71)	RS1/10SR473J
E	R 406 (A,130,91)	RS1/16SS471J	R 667 (B,81,74)	RS1/10SR473J
	R 407 (A,131,90)	RS1/16SS330J	R 669 (A,69,81)	RS1/16SS101J
	R 408 (A,131,88)	RS1/16SS681J	R 670 (A,70,83)	RS1/16SS101J
	R 410 (A,128,80)	RS1/4SA8R2J	R 671 (A,71,83)	RS1/16SS101J
	R 411 (A,126,80)	RS1/4SA8R2J	R 672 (A,72,83)	RS1/16SS101J
	R 413 (A,137,74)	RS1/16SS102J	R 673 (A,73,81)	RS1/16SS101J
	R 415 (A,132,79)	RS1/16SS0R0J	R 674 (A,74,81)	RS1/16SS101J
	R 420 (B,144,105) (A)	RS1/8SQ0R0J	R 675 (A,65,81)	RS1/16SS221J
	R 421 (B,152,100) (A)	RS1/8SQ0R0J	R 676 (A,65,82)	RS1/16SS221J
	R 422 (B,148,100) (A)	RS1/8SQ0R0J	R 677 (A,67,81)	RS1/16SS221J
F	R 424 (A,129,98)	RS1/8SQ0R0J	R 678 (B,69,81)	RS1/10SR221J
	R 425 (A,139,106)	RS1/8SQ0R0J	R 679 (A,76,81)	RS1/16SS332J
	R 471 (A,125,99) (A)	RS1/10SR102J	R 680 (A,37,89) (A,B,E)	RS1/16SS0R0J
	R 473 (A,119,85) (A)	RS1/16SS1003F	R 681 (A,84,81)	RAB4CC473J
			R 682 (A,83,69)	RS1/16SS153J

5
Circuit Symbol and No.

6
Part No.

7
Circuit Symbol and No.

8
Part No.

R 683	(A,83,70)	RS1/16SS153J	R 813	(B,95,22)	RS1/10SR104J
R 684	(A,88,71)	RS1/16SS153J	R 831	(B,100,24)	RS1/10SR1R0J
R 685	(A,88,72)	RS1/16SS153J	R 832	(B,109,26)	RS1/10SR473J
R 686	(A,83,72)	RS1/16SS473J	R 833	(B,116,29)	RS1/10SR332J
R 687	(A,83,73)	RS1/16SS473J	R 834	(A,117,28)	RS1/10SR103J
R 688	(A,86,76)	RS1/16SS473J	R 841	(A,105,29)	RS1/10SR472J
R 689	(A,85,77)	RS1/16SS473J	R 842	(B,106,30)	RS1/10SR102J
R 690	(B,58,72)	RS1/10SR473J	R 843	(B,105,30)	RS1/10SR103J
R 691	(B,84,63)	RS1/10SR0R0J	R 844	(A,78,37)	RS1/16SS0R0J
R 692	(B,67,80)	RS1/10SR473J	R 845	(A,98,33)	RS1/16SS472J
R 693	(A,56,64) (B,C,D,E)	RS1/16SS221J	R 851	(B,59,39) (B,C,D,E)	RS1/10SR221J
			R 852	(A,60,38) (B,C,D,E)	RS1/16SS221J
R 701	(B,43,76)	RS1/10SR473J			
R 702	(A,43,79)	RS1/16SS472J	R 854	(A,70,37) (B,C,D,E)	RS1/16SS221J
R 703	(A,41,79)	RAB4CQ220J	R 855	(B,67,44) (B,C,D,E)	RS1/10SR221J
R 704	(A,37,79)	RAB4CQ220J	R 856	(B,69,44) (B,C,D,E)	RS1/10SR221J
R 705	(A,34,79)	RAB4CQ220J	R 857	(A,55,37) (B,C,D,E)	RS1/16SS102J
R 707	(A,37,83)	RS1/16SS472J	R 858	(B,54,41) (B,C,D,E)	RS1/10SR821J
R 708	(A,41,61)	RS1/16SS220J	R 859	(B,53,44) (B,C,D,E)	RS1/10SR103J
R 710	(A,37,61)	RAB4CQ220J	R 860	(A,70,38)	RS1/16SS473J
R 711	(A,34,61)	RAB4CQ220J	R 862	(A,69,38) (B,C,D,E)	RS1/16SS221J
R 731	(A,73,93)	RS1/16SS473J	R 863	(B,65,44)	RS1/10SR473J
R 732	(B,71,92)	RS1/10SR473J	R 864	(B,60,45) (A)	RS1/10SR0R0J
R 733	(A,72,93)	RS1/16SS473J	R 865	(B,71,44)	RS1/10SR473J
R 734	(A,78,90)	RS1/16SS473J	R 866	(B,60,36)	RS1/10SR473J
R 735	(A,78,87)	RS1/16SS473J	R 867	(B,62,36)	RS1/10SR473J
R 741	(A,82,56) (A,B)	RS1/16SS101J	R 869	(B,62,45)	RS1/10SR473J
R 742	(A,74,49) (A,B)	RS1/16SS101J	R 881	(A,47,87)	RS1/10SR103J
R 743	(A,79,53) (A,B)	RS1/16SS101J	R 882	(A,55,96)	RS1/16SS473J
R 744	(A,79,54) (A,B)	RS1/16SS101J	R 883	(A,54,96)	RS1/16SS222J
R 745	(A,85,56) (A,B)	RS1/16SS473J	R 884	(A,53,90)	RS1/16SS222J
R 751	(B,110,33)	RS1/10SR472J	R 885	(A,54,89)	RS1/16SS272J
R 752	(B,106,34)	RS1/10SR473J	R 886	(A,53,85)	RS1/16SS472J
R 753	(B,113,33)	RS1/10SR472J	R 887	(A,53,96)	RS1/16SS101J
R 754	(A,116,41)	RS1/16SS104J	R 888	(A,53,89)	RS1/16SS101J
R 755	(B,115,33)	RS1/10SR472J	R 889	(A,56,89)	RS1/16SS472J
R 756	(A,104,39)	RS1/16SS221J	R 901	(B,26,72)	RS1/10SR102J
R 757	(A,104,40)	RS1/16SS221J	R 902	(A,7,61)	RS1/16SS512J
R 758	(A,104,38)	RS1/16SS101J	R 903	(A,9,62)	RS1/16SS473J
R 759	(A,110,41)	RS1/16SS221J	R 904	(A,7,62)	RS1/16SS103J
R 760	(A,104,37)	RS1/16SS101J	R 905	(A,6,63)	RS1/16SS103J
R 761	(A,115,41)	RS1/16SS102J	R 921	(B,21,58)	RS1/10SR223J
R 762	(A,117,34)	RS1/16SS151J	R 922	(B,21,60)	RS1/10SR332J
R 763	(A,119,41)	RS1/16SS151J	R 931	(A,31,52)	RS1/16SS473J
R 764	(A,119,34)	RS1/16SS151J	R 941	(B,130,43)	RS1/10SR473J
R 765	(A,123,41)	RS1/16SS221J	R 942	(A,126,53)	RS1/16SS0R0J
R 766	(A,122,41)	RS1/16SS104J	R 951	(A,142,133)	RS1/16SS103J
			R 952	(A,141,128)	RS1/16SS104J
R 767	(B,105,37)	RS1/10SR104J			
R 771	(B,143,41)	RS1/10SR473J	R 953	(A,142,134)	RS1/16SS473J
R 772	(B,143,43)	RS1/10SR103J	R 954	(A,142,130)	RS1/16SS473J
R 773	(A,151,46)	RS1/10SR821J	R 955	(B,120,128)	RS1/10SR472J
			R 956	(A,119,129)	RS1/4SA102J
R 803	(A,107,22)	RS1/10SR101J	R 961	(B,99,126)	RS1/10SR103J
R 804	(A,109,22)	RS1/10SR101J			
R 805	(A,105,22)	RS1/10SR222J	R 962	(A,114,129)	RS1/4SA102J
R 806	(A,111,22)	RS1/10SR222J	R 991	(A,118,115)	RS1/16SS103J
R 807	(A,117,22)	RS1/10SR222J	R 992	(A,116,114)	RS1/16SS103J
			R 993	(A,114,113)	RS1/16SS105J
R 808	(A,116,22)	RS1/10SR222J	R 1001	(A,87,76)	RS1/16SS220J
R 809	(A,115,22)	RS1/10SR222J			
R 810	(A,119,22)	RS1/10SR222J	R 1003	(A,90,77)	RS1/16SS220J
R 811	(A,120,22)	RS1/10SR222J			
R 812	(B,95,20)	RS1/10SR102J			

Circuit Symbol and No.Part No.Circuit Symbol and No.Part No.CAPACITORS

	C 101	(B,146,142) (A)	CKSRYB105K16	C 315	(B,33,142)	CKSRYB102K50
A	C 121	(B,55,148)	CKSRYB102K50	C 325	(B,77,131)	CKSRYB224K16
	C 122	(B,37,129)	CKSRYB102K50	C 326	(B,79,131)	CKSRYB224K16
	C 123	(B,39,132)	CKSRYB102K50	C 327	(B,82,131)	CKSRYB224K16
	C 151	(A,74,113)	CKSRYB105K10	C 328	(B,84,131)	CKSRYB224K16
	C 152	(A,87,112)	CKSRYB105K10	C 333	(A,62,136)	CKSRYB105K16
	C 153	(A,74,112)	CKSRYB224K16	C 335	(B,61,137)	CKSRYB102K50
	C 154	(B,92,111)	CKSRYB224K16	C 337	(B,63,141)	CKSRYB103K50
	C 155	(B,104,113) (A)	CKSRYB105K10	C 338	(B,63,143) 10 uF	CCG1236
	C 156	(B,104,111) (A)	CKSRYB105K10	C 339	(B,88,143)	CKSRYB104K16
	C 157	(B,98,114) (A)	CKSRYB105K10	C 340	(A,128,123) 3 300 uF/16 V	CCH1486
	C 158	(B,98,113) (A)	CKSRYB105K10	C 344	(B,66,137)	CKSRYB103K50
B	C 159	(A,74,110)	CKSRYB105K10	C 351	(A,50,129)	XCEVW220M16
	C 160	(A,87,109)	CKSRYB105K10	C 352	(B,63,133) 2.2 uF	CCG1205
	C 161	(A,74,109) 2.2 uF	CCG1205	C 375	(A,67,90) 4.7 uF	CCG1212
	C 163	(A,75,115)	CKSRYB105K10	C 376	(A,58,93)	CKSSYB103K16
	C 164	(A,86,114)	CKSRYB105K10	C 377	(A,59,95) 4.7 uF	CCG1212
	C 165	(A,87,117) 10 uF	CCG1192	C 378	(B,65,96)	CKSRYB104K16
	C 166	(A,89,115) 10 uF	CCG1192	C 379	(A,80,96)	CKSSYB182K50
	C 168	(A,86,125)	CKSQYB225K16	C 380	(A,80,94)	CKSSYB182K50
	C 170	(A,88,122)	CKSQYB225K16	C 391	(A,141,57) 4.7 uF	CCG1212
	C 181	(A,91,108)	CKSSYB104K16	C 393	(A,130,57)	CKSQYB474K16
	C 182	(B,92,107)	CKSRYB104K16	C 401	(A,147,102)	CCSSCH330J50
C	C 184	(A,105,105)	CKSSYB103K16	C 402	(A,143,100)	CKSSYB103K16
	C 185	(A,96,110) 4.7 uF	CCG1222	C 403	(A,148,100)	CCSSCH6R0D50
	C 186	(B,96,102)	CKSRYB104K16	C 404	(A,150,100)	CKSSYB103K16
	C 187	(B,100,103)	CKSRYB104K16	C 405	(A,141,97)	CKSSYB104K10
	C 188	(B,100,105) 4.7 uF	CCG1222	C 406	(A,137,96)	CKSSYB104K10
	C 189	(A,96,106)	CCSSCH271J50	C 410	(A,150,97)	CKSSYB103K16
	C 201	(A,46,118)	CKSSYB104K10	C 411	(A,139,97)	CKSSYB104K10
	C 202	(A,51,112) 22 uF	CCG1254	C 412	(A,152,97)	CKSSYB103K16
	C 204	(A,38,103)	CKSSYB102K50	C 413	(A,137,97)	CKSSYB103K16
	C 205	(A,42,104)	CKSSYB104K16	C 414	(A,135,98) 10 uF	CCG1192
D	C 206	(A,36,103)	CKSSYB472K25	C 415	(A,134,98) (A,C,D)	CCSSCK2R0C50
	C 207	(A,41,103)	CKSSYB104K16	C 416	(B,134,85) (A)	CCSRCH100D50
	C 208	(A,32,116)	CCSSCH151J50	C 419	(A,135,96)	CKSSYB223K16
	C 209	(A,38,115) 1 uF	DCH1246	C 420	(A,139,95)	CKSSYB103K16
	C 210	(A,37,116)	CKSSYB472K25	C 421	(A,144,95)	CKSSYB104K10
	C 211	(A,43,117) 10 uF	DCH1165	C 422	(A,146,97)	CKSSYB103K16
	C 212	(A,35,115)	CCSSCH270J50	C 423	(A,143,97)	CKSRYB105K10
	C 213	(A,61,109)	CEVW101M25	C 424	(A,149,93)	CKSRYB224K16
	C 214	(A,39,116)	CKSSYB104K16	C 426	(A,133,93)	CKSSYB103K16
	C 215	(A,52,117) Capacitor	CEHVW101M6R3	C 427	(A,148,90)	CKSSYB104K10
	C 216	(A,47,118) (A,C,D)	CKSSYB102K50	C 428	(A,130,92) 10 uF	CCG1192
E	C 217	(B,66,112) 22 uF	CCG1254	C 429	(A,150,90)	CKSRYB105K10
	C 264	(B,55,34)	CKSRYB104K16	C 430	(A,131,91)	CKSSYB104K10
	C 301	(A,9,126) 10 uF	CCG1192	C 431	(A,154,88)	CKSSYB472K25
	C 302	(A,13,126) 10 uF	CCG1192	C 432	(A,154,90)	CKSSYB472K25
	C 303	(A,17,126) 10 uF	CCG1192	C 433	(A,130,90)	CCSSCH101J50
	C 304	(A,22,126) 10 uF	CCG1192	C 434	(A,135,94)	CKSSYB104K10
	C 305	(A,26,126) 10 uF	CCG1192	C 435	(A,128,90)	CKSSYB103K16
	C 306	(A,30,126) 10 uF	CCG1192	C 436	(A,152,87)	CCSSCH100D50
	C 307	(A,8,131)	CKSSYB103K16	C 437	(A,149,87)	CKSSYB104K10
	C 308	(A,14,131)	CKSSYB103K16	C 438	(A,132,88)	CCSSCH820J50
	C 309	(A,16,131)	CKSSYB103K16	C 441	(A,130,82)	CKSRYB474K10
F	C 310	(A,23,131)	CKSSYB103K16	C 443	(A,131,80)	CCSRCH471J50
	C 311	(A,25,131)	CKSSYB103K16	C 444	(A,152,82)	CCSSCH100D50
	C 312	(A,31,131)	CKSSYB103K16	C 445	(A,153,79)	CKSSYB104K10
				C 447	(A,150,79) 2.2 uF	CCG1205
				C 449	(A,148,82) (A,C,D)	CKSSYB104K10

5		6		7		8	
<u>Circuit Symbol and No.</u>		<u>Part No.</u>		<u>Circuit Symbol and No.</u>		<u>Part No.</u>	
C 450	(A,145,80)	CKSSYB104K10		C 706	(B,49,65)	CKSRYB104K16	
C 451	(A,135,79)	CKSSYB102K50		C 707	(B,44,65)	CKSRYB104K16	
C 452	(A,144,80) 1 uF	DCH1246		C 708	(B,31,82) 2.2 uF	CCG1205	
C 453	(A,144,78) 2.2 uF	CCG1205					
C 454	(A,138,79)	CKSSYB104K10		C 711	(B,51,37)	CKSRYB104K16	A
C 456	(A,152,113) (A)	CCSSCJ3R0C50		C 712	(B,53,49)	CKSRYB104K16	
C 459	(A,128,84)	CCSSCH100D50		C 721	(A,35,87) 10 uF	CCG1192	
C 472	(A,131,103) (A)	CKSRYB104K16		C 722	(A,32,87) 10 uF	CCG1192	
C 473	(A,119,95) (A)	CKSRYB104K16		C 731	(B,75,92)	CKSRYB104K16	
C 601	(A,92,68)	CCSSCH100D50		C 741	(A,77,50) (A,B)	CKSSYB104K10	
C 602	(A,92,64)	CCSSCH120J50		C 752	(A,120,34)	CCSSCH220J50	
C 604	(A,92,70)	CKSSYB104K10		C 753	(A,121,41)	CCSSCH100D50	
C 605	(B,99,65)	CKSRYB105K10		C 754	(A,116,34)	CCSSCH220J50	
C 608	(B,113,64)	CKSRYB105K10		C 755	(B,106,37)	CKSRYB103K50	
C 610	(A,103,50)	CKSRYB104K50		C 758	(A,93,38)	CKSSYB102K50	B
C 612	(B,120,47)	CKSRYB105K10		C 760	(A,112,41)	CKSSYB221K50	
C 615	(B,97,65) 10 uF	DCH1201		C 770	(B,123,42)	CKSRYB104K16	
C 616	(A,103,82) (A)	CKSSYB104K10		C 771	(B,151,41) 10 uF	DCH1201	
C 617	(A,96,80) (A)	CKSSYB104K10		C 773	(A,155,45)	CKSSYB473K16	
C 651	(B,68,58)	CKSRYB104K16		C 802	(B,111,14)	CKSRYB221K50	
C 652	(B,76,61)	CKSRYB104K16		C 803	(A,103,21)	CKSRYB104K16	
C 653	(B,85,56)	CKSRYB104K16		C 805	(B,100,14)	CKSRYB104K16	
C 654	(B,61,58)	CKSRYB104K16		C 806	(B,104,22)	CKSRYB104K16	
C 655	(B,67,62)	CKSRYB104K16		C 807	(B,98,11)	CKSRYB104K16	
C 656	(B,72,62)	CKSRYB104K16		C 809	(B,117,48)	CKSRYB104K16	
C 657	(B,78,57)	CKSRYB104K16		C 810	(B,82,36)	CKSRYB104K16	C
C 658	(A,56,65) (C,D)	CCSSCH100D50		C 811	(B,100,19)	CKSRYB105K16	
C 659	(B,81,63)	CKSRYB104K16		C 812	(A,95,20)	CKSRYB104K16	
C 660	(B,85,60)	CCSRCH100D50		C 831	(B,112,26)	CKSQYB105K16	
C 661	(B,59,62)	CKSRYB104K16		C 841	(A,103,29)	CKSRYB104K16	
C 662	(A,86,64)	CCSSCH120J50		C 851	(A,67,38) (B,C,D,E)	CKSQYB105K16	
C 663	(B,81,67)	CKSRYB104K16		C 881	(A,57,90)	CKSSYB104K10	
C 664	(A,57,65) (C,D)	CCSSCH100D50		C 882	(A,56,90)	CKSSYB104K10	
C 665	(B,59,66)	CKSRYB104K16		C 891	(A,37,92)	CKSRYB104K16	
C 666	(B,81,65)	CKSRYB104K16		C 892	(A,50,92)	CKSRYB104K16	
C 667	(A,57,70) (C,D)	CCSSCH100D50		C 901	(A,15,79) (A,C,D)	CKSSYB102K50	
C 668	(B,59,69)	CKSRYB104K16		C 902	(A,16,79)	CKSRYB105K16	D
C 669	(A,86,69)	CCSSCH120J50		C 903	(A,22,74)	CEVQW221M6R3	
C 670	(B,81,70)	CKSRYB104K16		C 904	(A,6,64)	CKSSYB102K50	
C 671	(B,60,72)	CKSRYB104K16		C 905	(A,8,63)	CKSSYB682K25	
C 672	(B,81,76)	CKSRYB104K16		C 906	(A,18,64)	CKSSYB103K16	
C 673	(B,81,78)	CKSRYB104K16		C 908	(A,18,66)	CKSRYB105K16	
C 674	(B,65,80)	CKSRYB104K16		C 909	(A,11,55) 1 000 uF/16 V	CCH2024	
C 675	(B,71,75)	CKSRYB104K16		C 921	(B,17,55)	CKSRYB104K16	
C 676	(B,76,79)	CKSRYB104K16		C 922	(B,21,53)	CKSRYB103K50	
C 677	(B,63,80)	CKSRYB104K16		C 931	(A,29,63) 10 uF	CCG1192	
C 678	(B,69,79)	CKSRYB104K16		C 932	(A,31,55) 10 uF	CCG1192	
C 679	(B,66,65)	CCSRCH100D50		C 941	(B,136,40)	CKSRYB104K16	E
C 680	(B,66,67)	CCSRCH100D50		C 942	(A,135,49)	XCEVW221M10	
C 682	(A,37,86) 4.7 uF	CCG1212		C 943	(A,143,42)	CKSQYB105K16	
C 683	(B,49,52) 4.7 uF	CCG1212		C 951	(B,115,128)	CKSRYB104K16	
C 685	(A,74,83)	CCSSCH120J50		C 961	(B,104,128)	CKSRYB105K10	
C 686	(A,79,84)	CCSSCH120J50		C 991	(B,116,140)	CKSRYB104K16	
C 687	(B,47,52)	CKSRYB104K50		C 992	(A,118,107)	CKSRYB104K16	
C 688	(B,44,52) 4.7 uF	CCG1212		C 994	(A,119,112)	CKSRYB104K16	
C 696	(A,64,81) (A,C,D)	CCSSCH220J50		C 995	(A,114,114)	CKSSYB333K16	
C 701	(B,53,71)	CKSRYB104K16					
C 702	(B,51,71)	CKSRYB104K16					
C 703	(B,47,71)	CKSRYB104K16					
C 704	(B,43,71)	CKSRYB104K16					
C 705	(B,34,73)	CKSRYB104K16					

B
Unit Number :
Unit Name : Keyboard Unit

Circuit Symbol and No.Part No.Circuit Symbol and No.Part No.**MISCELLANEOUS**

				R 1640	(B,52,15)	RS1/16SS101J
				R 1643	(B,18,24)	RS1/16SS101J
				R 1646	(B,19,12)	RS1/16SS101J
A	IC 1621	(A,132,14) IC	BH2228FV	R 1649	(B,50,16)	RS1/10SR101J
	IC 1701	(B,84,21) IC	PEQ124A8	R 1650	(B,20,29)	RS1/10SR101J
	IC 1702	(A,103,22) Flash ROM Unit(A)	PEH394A8	R 1651	(B,16,19)	RS1/10SR101J
		(A,103,22) Flash ROM Unit(B)	PEH385A8			
		(A,103,22) Flash ROM Unit(C,D,E)	PEH384A8	R 1661	(A,136,9)	RS1/16SS102J
	Q 1631	(B,54,17) Transistor	LSCR523UB	R 1662	(A,139,18)	RS1/16SS102J
	Q 1632	(B,57,14) Transistor	LSCR523UB	R 1663	(A,139,22)	RS1/16SS102J
				R 1664	(A,138,14)	RS1/16SS101J
	Q 1633	(B,57,11) Transistor	LSCR523UB	R 1667	(A,140,21)	RS1/16SS101J
	Q 1634	(B,52,12) Transistor	LSCR523UB			
	Q 1635	(B,17,27) Transistor	LSCR523UB	R 1670	(A,140,24)	RS1/16SS101J
	Q 1636	(B,18,15) Transistor	LSCR523UB	R 1672	(B,136,23)	RS1/10SR101J
	Q 1661	(A,137,12) Transistor	LSCR523UB	R 1673	(B,135,27)	RS1/10SR101J
B				R 1674	(A,140,10)	RS1/10SR101J
	Q 1662	(A,138,20) Transistor	LSCR523UB	R 1681	(B,54,20)	RS1/4SA102J
	Q 1663	(A,138,24) Transistor	LSCR523UB			
	Q 1670	(B,140,27) Transistor	LSCR523UB	R 1682	(B,54,22)	RS1/4SA0R0J
	Q 1671	(B,139,22) Transistor	LSCR523UB	R 1683	(B,65,19)	RS1/10SR331J
	Q 1673	(A,141,14) Transistor	LSCR523UB	R 1701	(B,73,17)	RS1/16SS472J
				R 1702	(B,69,21)	RS1/16SS102J
	Q 1681	(B,63,18) Transistor	LTC014EEB	R 1703	(B,69,20)	RS1/16SS154J
	Q 1682	(B,66,17) Transistor	LTC014YEB			
	D 1631	(A,14,24) LED	SMLVN6RGB2U(A)	R 1704	(A,85,19)	RS1/16SS473J
	D 1632	(A,162,31) LED	SMLVN6RGB2U(A)	R 1705	(B,72,25)	RS1/16SS103J
	D 1633	(A,59,25) LED	SMLVN6RGB2U(A)	R 1706	(B,72,27)	RAB4CQ102J
C	D 1634	(A,59,12) LED	SMLVN6RGB2U(A)	R 1707	(B,73,29)	RS1/16SS103J
	D 1661	(A,152,11) LED	SMLVN6RGB2U(A)	R 1708	(A,77,25)	RAB4CQ103J
	D 1662	(A,152,18) LED	SMLVN6RGB2U(A)			
	D 1681	(A,72,19) LED(Red)	SML-D12V8W(PQ)	R 1709	(A,72,25)	RS1/16SS103J
	D 1701	(B,69,18) Diode	DA2J101	R 1710	(A,85,21)	RAB4CQ473J
				R 1711	(B,85,31)	RS1/16SS473J
	L 1781	(B,152,20) Inductor	CTF1389	R 1712	(B,87,31)	RS1/16SS473J
	L 1782	(B,152,24) Inductor	CTF1389	R 1714	(A,87,28)	RS1/16SS101J
	L 1783	(B,152,16) Inductor	CTF1389			
	X 1701	(B,73,20) Ceramic Resonator 16.000 MHz	CSS1616	R 1715	(B,95,30)	RAB4CQ101J
	S 1611	(A,37,19) Encoder(MULTI-CONTROL)	CSD1168	R 1716	(A,86,16)	RS1/16SS101J
				R 1717	(B,96,26)	RAB4CQ101J
	S 1731	(A,147,38) Push Switch	CSG1155	R 1718	(B,100,25)	RAB4CQ101J
D	S 1732	(A,162,38) Push Switch	CSG1155	R 1719	(B,96,20)	RAB4CQ101J
	S 1733	(A,11,12) Push Switch	CSG1155			
	S 1735	(A,59,6) Push Switch	CSG1155	R 1720	(B,96,18)	RAB4CQ101J
	S 1737	(A,75,7) Push Switch	CSG1155	R 1721	(A,91,14)	RAB4CQ101J
				R 1722	(A,96,14)	RAB4CQ101J
	S 1738	(A,59,31) Push Switch	CSG1155	R 1723	(A,90,21)	RAB4CQ101J
	S 1739	(A,11,35) Push Switch	CSG1155	R 1724	(A,90,26)	RAB4CQ101J
	S 1740	(A,27,12) Spring Switch	CSN1080			
	S 1741	(A,27,26) Spring Switch	CSN1081	R 1725	(B,78,10)	RAB4CQ102J
	S 1742	(A,75,30) Push Switch	CSG1155	R 1726	(B,74,11)	RS1/16SS104J
				R 1728	(A,85,17)	RS1/16SS473J
	S 1743	(A,77,19) Push Switch	CSG1155	R 1731	(A,145,29)	RS1/16SS470J
	U 1731	(A,155,29) Remote Receiver Unit	RS-470	R 1753	(B,124,23)	RAB4CQ473J
E	CN1601	(B,109,10) Connector	CKS6451			
	CN1751	(B,116,30) Connector	CKS6228	R 1755	(A,117,28)	RAB4CQ101J
	JA1781	(A,161,20) Jack	CKN1096			

CAPACITORS

				C 1621	(A,130,19)	CKSSYB103K16
	R 1601	(B,92,9)	RS1/10SR222J	C 1622	(A,130,20)	CKSRYB105K10
	R 1602	(B,92,11)	RS1/10SR222J	C 1701	(B,102,18) 10 uF	CCG1192
	R 1611	(B,50,25)	RS1/16SS103J	C 1703	(B,70,21)	CKSSYB104K10
	R 1621	(A,127,17)	RS1/10SR272J	C 1704	(B,73,23)	CKSSYB103K16
	R 1622	(A,127,16)	RS1/10SR272J			
F	R 1623	(A,127,14)	RS1/10SR272J	C 1705	(B,95,23)	CKSSYB103K16
	R 1631	(B,56,16)	RS1/16SS102J	C 1706	(A,91,24)	CKSSYB103K16
	R 1632	(B,60,14)	RS1/16SS102J	C 1731	(A,143,28) 10 uF	CCG1192
	R 1633	(B,60,11)	RS1/16SS102J	C 1751	(B,109,23)	CKSQYB334K50
				C 1752	(B,112,22) 4.7 uF	CCG1212

5
Circuit Symbol and No.

6
Part No.

C 1753	(B,112,24)	4.7 uF	CCG1212
C 1754	(B,116,22)	4.7 uF	CCG1212
C 1755	(B,115,24)	4.7 uF	CCG1212
C 1756	(B,116,19)	2.2 uF	CCG1205
C 1781	(B,141,15)		CKSRYB472K50
C 1782	(B,142,17)		CKSRYB472K50
C 1783	(B,149,16)		CKSRYB471K50

C

Unit Number : CWX4023

Unit Name : CD Core Unit (S11.6STD)

MISCELLANEOUS

IC 201	(B,23,37)	IC	PE5791A
IC 301	(A,37,11)	IC	BD8223EFV
Q 101	(B,11,53)	Transistor	2SA1577
Q 102	(B,15,54)	Transistor	LTA123JUB
X 201	(B,25,49)	Ceramic Resonator	16.934 MHz CSS1603
S 901	(A,42,53)	Spring Switch(HOME)	CSN1080
S 903	(B,21,12)	Spring Switch(DSCSNS)	CSN1081
CN101	(A,16,58)	Connector	CKS4808
CN701	(A,25,29)	Connector	CKS6146

RESISTORS

R 101	(B,6,57)	RS1/10SR2R4J
R 102	(B,8,57)	RS1/10SR2R4J
R 103	(B,9,57)	RS1/10SR2R7J
R 108	(B,18,55)	RS1/16SS105J
R 109	(B,12,50)	RS1/16SS222J
R 214	(B,18,28)	RS1/16SS103J
R 215	(B,17,28)	RS1/16SS393J
R 216	(B,12,35)	RS1/16SS122J
R 217	(B,10,32)	RS1/16SS562J
R 218	(B,10,35)	RS1/16SS472J
R 229	(B,12,34)	RS1/16SS471J
R 232	(A,31,54)	RS1/16SS0R0J
R 237	(B,33,45)	RS1/16SS221J
R 240	(B,34,40)	RS1/16SS473J
R 245	(A,34,46)	RS1/16SS104J
R 254	(A,37,56)	RS1/16SS104J
R 260	(B,30,27)	RS1/16SS103J
R 264	(A,22,9)	RS1/16SS102J
R 281	(B,33,38)	RS1/16SS560J
R 282	(B,33,39)	RS1/16SS560J
R 291	(B,33,34)	RS1/16SS560J
R 294	(B,27,48)	RS1/16SS471J
R 303	(A,27,11)	RS1/16SS123J
R 304	(A,28,11)	RS1/16SS123J
R 305	(A,26,9)	RS1/16SS102J
R 306	(A,26,11)	RS1/16SS472J
R 307	(A,25,9)	RS1/16SS102J
R 308	(A,25,11)	RS1/16SS472J
R 309	(A,35,6)	RS1/16SS473J
R 310	(B,30,9)	RS1/16SS472J
R 311	(B,30,10)	RS1/16SS472J
R 312	(B,30,11)	RS1/16SS472J
R 313	(B,30,12)	RS1/16SS472J
R 701	(A,21,38)	RS1/16SS101J

7
Circuit Symbol and No.

8
Part No.

R 702	(A,23,38)	RS1/16SS101J
R 706	(A,32,42)	RS1/16SS221J

CAPACITORS

C 104	(B,12,57)	CKSQYB475K6R3
C 203	(B,22,47)	CKSSYB104K10
C 209	(B,28,47)	CKSRYB104K16
C 210	(B,33,43)	CKSSYB104K10
C 211	(B,33,41)	CKSSYB104K10
C 212	(B,22,28)	CKSSYB104K10
C 213	(B,18,26)	CKSSYB332K50
C 214	(B,17,26)	CKSSYB473K16
C 215	(B,19,28)	CKSSYB104K10
C 216	(B,12,33)	CKSSYB182K50
C 217	(B,10,34)	CCSSCH560J50
C 218	(B,10,36)	CCSSCH4R0C50
C 219	(B,14,34)	CKSSYB104K10
C 220	(A,18,38)	CKSSYB104K10
C 221	(B,14,32)	CKSSYB104K10
C 222	(B,13,37)	CKSSYB104K10
C 223	(B,12,42)	CCSSCH680J50
C 224	(B,13,45)	CCSSCH470J50
C 225	(B,13,46)	CKSSYB103K16
C 228	(B,10,33)	CCSSCH270J50
C 229	(B,9,40)	CKSSYB104K10
C 233	(B,32,46)	CKSSYB103K16
C 236	(B,8,40)	CKSSYB104K10
C 238	(A,25,44)	CKSRYB104K16
C 299	(A,26,41)	CKSSYB104K10
C 302	(B,28,12)	CKSSYB102K50
C 303	(B,29,12)	CKSSYB102K50
C 304	(B,27,12)	CKSSYB223K16
C 305	(B,26,12)	CKSSYB104K10
C 306	(A,31,7)	CKSSYB104K10
C 307	(A,41,19)	CKSRYB105K10
C 308	(A,31,15)	CKSRYB105K10
C 710	(A,34,42)	CKSSYB102K50