
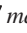
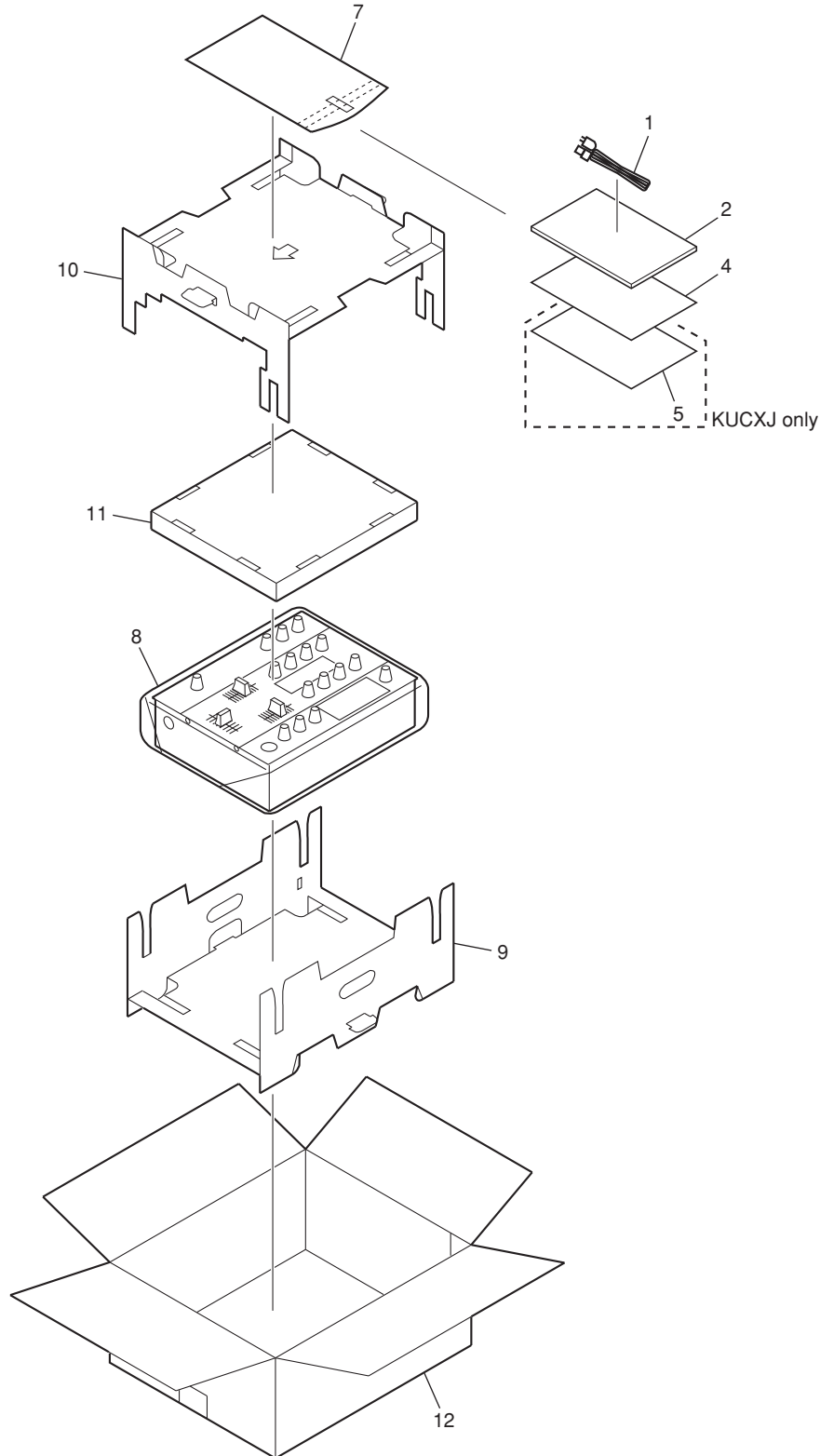


# 2. EXPLODED VIEWS AND PARTS LIST

- NOTES:
- Parts marked by "NSP" are generally unavailable because they are not in our Master Spare Parts List.
  - The  mark found on some component parts indicates the importance of the safety factor of the part. Therefore, when replacing, be sure to use parts of identical designation.
  - Screws adjacent to  mark on product are used for disassembly.
  - For the applying amount of lubricants or glue, follow the instructions in this manual. (In the case of no amount instructions, apply as you think it appropriate.)

## 2.1 PACKING SECTION



**(1) PACKING SECTION PARTS LIST**

<u>Mark No.</u>	<u>Description</u>	<u>Part No.</u>
△ 1	Power Cord	See Contrast table (2)
2	Operating Instructions	See Contrast table (2)
3	.....	
NSP 4	User Registration Seat	DRM1262
NSP 5	Warranty Card	See Contrast table (2)
6	.....	
NSP 7	Polyethylene Bag (0.06 x 230 x 340)	AHG7117
8	Packing Sheet	AHG7015
9	Pad A	DHA1706
10	Pad B	DHA1707
11	Pad C	DHA1713
12	Packing Case	See Contrast table (2)

**(2) CONTRAST TABLE**

DJM-400/KUCXJ, RLXJ and WYXJ5 are constructed the same except for the following:

<b>Mark</b>	<b>No.</b>	<b>Symbol and Description</b>	<b>DRM-400/KUCXJ</b>	<b>DRM-400/RLXJ</b>	<b>DRM-400/WYXJ5</b>
△	1	Power Cord	ADG7021	ADG1154	ADG1154
	2	Operating Instructions (English)	DRB1405	Not used	Not used
	2	Operating Instructions (English/ Spanish/ Chinese)	Not used	DRB1406	Not used
	2	Operating Instructins (English/ French/ German/ Italian/ Duch/ Spanish)	Not used	Not used	DRB1404
NSP	5	Warranty Card	ARY7043	Not used	Not used
	12	Packing Case	DHG2605	DHG2606	DHG2604



**(1) EXTERIOR SECTION PARTS LIST**

<u>Mark No.</u>	<u>Description</u>	<u>Part No.</u>	<u>Mark No.</u>	<u>Description</u>	<u>Part No.</u>
1	MAIN Assy	DWX2527			
2	JACK Assy	See Contrast table (2)	NSP 21	Rear Panel	See Contrast table (2)
3	MIC Assy	DWX2517	22	Chassis Assy	See Contrast table (2)
4	HP Assy	DWX2518	23	Insulator	DEB1795
5	TRANS Assy	See Contrast table (2)	24	Power Knob Guide	DNK4198
			25	Blind Cap	DNK4218
△	6 Fuse (FU1 : T250mA)	AEK1048			
△	7 Power Transformer	See Contrast table (2)	26	Phone Washer	DEC2920
8	Earth Terminal	AKE-031	27	Nut M12	NKX2FNI
9	26P Flexible Cable	DDD1306	28	.....	
10	22P Flexible Cable	DDD1307	29	.....	
			30	.....	
11	19P Flexible Cable	DDD1308			
12	Small Connector	PF07PP-R12	31	Screw 3x8	DBA1290
NSP 13	Spacer	AEB7092	32	Screw	BBZ40P060FTC
14	PCB Mold	AMR2534	33	Screw	BBZ30P140FTC
15	Power Knob	DAC2339	34	Screw	BPZ30P080FTB
			35	Screw	BBZ30P060FTB
16	Blind Sheet	DEC2907			
17	PCB Spacer	DEC2942	36	Label	See Contrast table (2)
18	PCB Stay	DNF1739	37	FCC.Class B Label	See Contrast table (2)
19	ICP Cover	DNK4625	38	V Select Label	See Contrast table (2)
NSP 20	Card Spacer	REC1156	39	FCC Label	See Contrast table (2)

**(2) CONTRAST TABLE**

DJM-400/KUCXJ, RLXJ and WYXJ5 are constructed the same except for the following:

<b>Mark</b>	<b>No.</b>	<b>Symbol and Description</b>	<b>DRM-400/KUCXJ</b>	<b>DRM-400/RLXJ</b>	<b>DRM-400/WYXJ5</b>
	2	JACK Assy	DWX2524	DWX2525	DWX2516
	5	TRANS Assy	DWX2519	DWX2526	DWX2519
△	7	Power Transformer	DTT1201	DTT1202	DTT1202
NSP	21	Rear Panel (KUC)	DNC1784	Not used	Not used
NSP	21	Rear Panel (RL)	Not used	DNC1805	Not used
NSP	21	Rear Panel (WY)	Not used	Not used	DNC1787
	22	Chassis Assy	DXB1890	DXB1891	DXB1890
NSP	36	Label	DRW1975	Not used	Not used
NSP	37	FCC.Class B Label	DRW2300	Not used	Not used
	38	V Select Label	Not used	DRW2298	Not used
	39	FCC Label	Not used	DRW2299	Not used

# 2.3 CONTROL PANEL SECTION

1

2

3

4

A

B

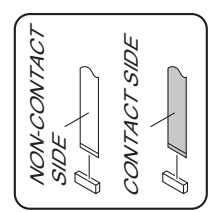
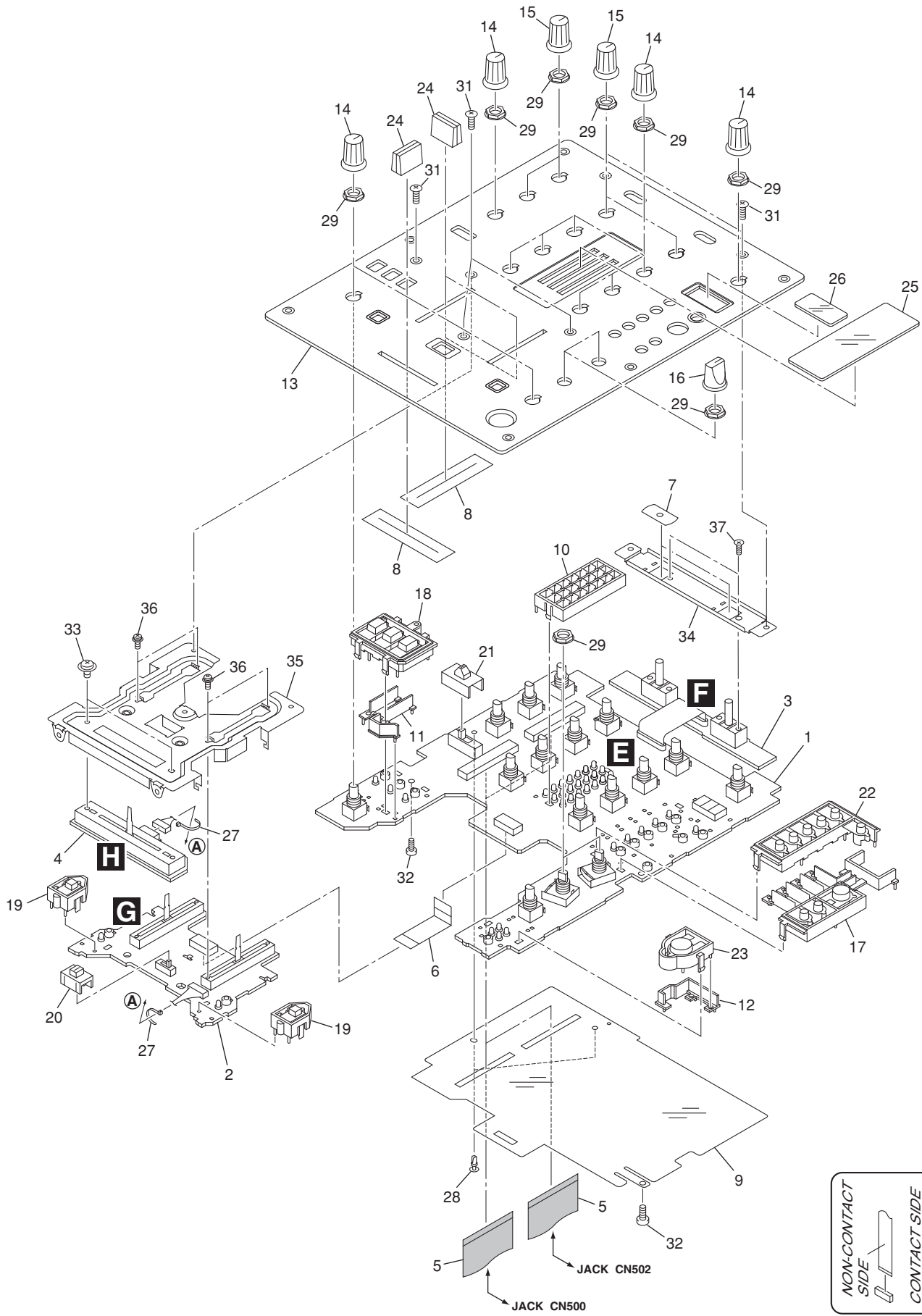
C

D

E

F

10



DJM-400

1

2

3

4

JACK CN500

JACK CN502

5 6 7 8

**(1) CONTROL PANEL SECTION PARTS LIST**

<u>Mark No.</u>	<u>Description</u>	<u>Part No.</u>	
1	VRSW Assy	DWX2520	
2	FADER Assy	DWX2521	A
3	CHRV Assy	DWX2522	
4	CFVR Assy	DWX2523	
5	36P Flexible Cable	DDD1305	
6	12P Flexible Cable	DDD1310	
7	SW Packing (B)	DEC2574	
8	Fader Packing	DEC2903	
9	Insulation Sheet	DEC2940	
10	Level Meter Holder	DNK4622	
11	Blind Plate CUE	DNK4624	B
12	Blind Plate EFFECT	DNK4654	
13	Control Panel	DNB1138	
14	Rotary VR Knob (B)	DAA1183	
15	Rotary VR Knob (G)	DAA1184	
16	Rotary SW Knob	DAA1185	
17	Button TAP	DAC2341	
18	Button CUE	DAC2343	
19	Button FADER	DAC2344	
20	SW Cap FADER	DAC2345	C
21	SW Cap MIC	DAC2346	
22	Button BEAT	DAC2369	
23	Button EFFECT	DAC2370	
24	Slider Knob (L2)	DAC2371	
25	Level Plate	DAH2445	
26	7seg Plate	DAH2446	
27	Binder (SKB-909BK)	ZCA-SKB90BK	
28	Nyron Rivet 3x4.5	RBM-003	
29	Nut M9	DBN1008	D
30	.....		
31	Screw 3x8	DBA1290	
32	Screw	BPZ26P080FTC	
33	Screw	AMZ30P040FTC	
34	Lever SW Stay	DNF1740	
35	Fader Stay	DNF1746	
36	Screw	PMH20P040FTC	
37	Screw	CMZ26P050FTB	E

# 5. PCB PARTS LIST

NOTES: ● Parts marked by "NSP" are generally unavailable because they are not in our Master Spare Parts List.

● The  $\Delta$  mark found on some component parts indicates the importance of the safety factor of the part. Therefore, when replacing, be sure to use parts of identical designation.

● When ordering resistors, first convert resistance values into code form as shown in the following examples.

Ex.1 When there are 2 effective digits (any digit apart from 0), such as 560 ohm and 47k ohm (tolerance is shown by J=5%, and K=10%).

560  $\Omega$   $\rightarrow$   $56 \times 10^1$   $\rightarrow$  561 ..... RD1/4PU  $\boxed{5}\boxed{6}\boxed{7}J$

47k  $\Omega$   $\rightarrow$   $47 \times 10^3$   $\rightarrow$  473 ..... RD1/4PU  $\boxed{4}\boxed{7}\boxed{3}J$

0.5  $\Omega$   $\rightarrow$  R50 ..... RN2H  $\boxed{R}\boxed{5}\boxed{0}K$

1  $\Omega$   $\rightarrow$  1R0 ..... RS1P  $\boxed{7}\boxed{R}\boxed{0}K$

Ex.2 When there are 3 effective digits (such as in high precision metal film resistors).

5.62k  $\Omega$   $\rightarrow$   $562 \times 10^1$   $\rightarrow$  5621 ..... RN1/4PC  $\boxed{5}\boxed{6}\boxed{2}\boxed{1}F$

## LIST OF HOLE PCB ASSEMBLIES

Mark	Symbol and Description	DJM-400/KUCXJ	DJM-400/RLXJ	DJM-400/WYXJ5
	1..MAIN ASSY	DWX2527	DWX2527	DWX2527
	1..SUB ASSY	DWM2228	DWM2229	DWM2226
	2..JACK ASSY	DWX2524	DWX2525	DWX2516
	2..HP ASSY	DWX2518	DWX2518	DWX2518
	2..MIC ASSY	DWX2517	DWX2517	DWX2517
	1..PANEL ASSY	DWM2227	DWM2230	DWM2227
	2..VRSW ASSY	DWX2520	DWX2520	DWX2520
	2..CHRV ASSY	DWX2522	DWX2522	DWX2522
	2..FADER ASSY	DWX2521	DWX2521	DWX2521
	2..CFVR ASSY	DWX2523	DWX2523	DWX2523
	2..TRANS ASSY	DWX2519	DWX2526	DWX2519

## CONTRAST OF PCB ASSEMBLIES

### **B** JACK ASSY

DWX2524, DWX2525 and DWX2516 are constructed the same except for the following :

Mark	Symbol and Description	DWX2524	DWX2525	DWX2516
$\Delta$	AN101 1P AC INLET	XKP3042	XKP3041	XKP3041
$\Delta$	CN102 2P VH CONNECTOR	B2P3-VH	Not used	B2P3-VH
$\Delta$	CN102 3P VH CONNECTOR	Not used	B3P5-VH	Not used
$\Delta$	S101 VOLTAGE SELECTOR	Not used	DSA1026	Not used

### **I** TRANS ASSY

DWX2519 and DWX2526 are constructed the same except for the following :

Mark	Symbol and Description	DWX2519	DWX2526
$\Delta$	J2 CONNECTOR ASSY	DKP3744	Not used
$\Delta$	J3 CONNECTOR ASSY	Not used	DKP3745



**Mark No. Description****Part No.**

C302  
C402,C403,C529,C530  
C533,C534,C537,C540  
C570,C571,C574,C575,C578  
C581,C610,C612,C614,C615

CEANP4R7M50  
CEAT100M50  
CEAT100M50  
CEAT100M50  
CEAT100M50

C630,C631  
C400,C401,C535,C538,C576  
C579,C620,C621,C626,C627  
C309,C310  
C308

CEAT100M50  
CEAT101M16  
CEAT101M16  
CEAT222M10  
CEAT471M25

C311  
C306,C307  
C616-C619  
C304  
C305

CEAT472M16  
CEAT472M35  
CEAT4R7M50  
CEHAT100M50  
CEHAT101M16

C526,C567  
C420,C421,C423,C527,C528  
C568,C569,C606,C609  
C312,C501,C505,C507,C515  
C517,C521,C542,C546,C548

CFTLA473J50  
CKSRYB103K50  
CKSRYB103K50  
CKSRYB104K50  
CKSRYB104K50

C556,C558,C562,C582,C584  
C598,C600,C603,C604  
C624,C625  
C510,C518,C551,C559  
C589,C597

CKSRYB104K50  
CKSRYB104K50  
CKSRYB104K50  
CQMA183J50  
CQMA222J50

C588,C596  
C511,C519,C552,C560  
C587,C594

CQMA392J50  
CQMA512J50  
CQMA682J50

**RESISTORS**

R627,R629  
R621,R626  
R508,R520,R549,R560  
R599,R605  
R507,R519,R548,R559

RD1/2VM680J  
RD1/2VM820J  
RN1/16SE1502D  
RN1/16SE1602D  
RN1/16SE1803D

R316  
R514,R530,R555,R570  
R588,R608  
R311  
R511,R523,R544,R552

RN1/16SE2201D  
RN1/16SE2402D  
RN1/16SE2700D  
RN1/16SE2701D  
RN1/16SE2702D

R510,R522,R551,R562  
R528,R533,R568,R573  
R584,R597  
R512,R524,R545,R553  
R314,R625,R635

RN1/16SE3300D  
RN1/16SE3902D  
RN1/16SE4701D  
RN1/16SE4702D  
RN1/16SE5101D

R313  
R591,R593,R615,R617  
R300  
Other Resistors

RN1/16SE6200D  
RN1/16SE6802D  
RS1LMF121J  
RS1/16S###J

**OTHERS**

3P CABLE HOLDER  
CN507 9P JUMPER CONNECTOR  
H101,H102 FUSE CLIP  
△CN102 2P VH CONNECTOR  
CN505 KR CONNECTOR

51048-0300  
52147-0910  
AKR1004  
B2P3-VH  
B7B-PH-K

**Mark No. Description****Part No.**

CN500,CN502 CONNECTOR  
J501 JUMPER WIRE 3P  
CN301 8P SOCKET  
JA502,JA503 REMOTE CONTROL JACK  
CN506 KR CONNECTOR

CKS3401  
D20PDY0305E  
KP250NA8  
RKN1004  
S6B-PH-K

PCB BINDER  
JA508-JA510 4P PIN JACK  
CN511 19P FFC CONNECTOR  
CN504 22P FFC CONNECTOR  
CN503 26P FFC CONNECTOR

VEF1040  
VKB1132  
VKN1250  
VKN1253  
VKN1257

KN301-KN303 WRAPPING TERMINAL  
△AN101 1P AC INLET

VNF1084  
XKP3042

**HP ASSY  
SEMICONDUCTORS**

D2000,D2001

NNCD6.2MF

**CAPACITORS**

C2000  
C2001,C2002

CFTLA104J50  
CKSRYB104K50

**RESISTORS**

All Resistors

RS1/16S###J

**OTHERS**

CN2000 3P JUMPER CONNECTOR  
JA2000 HEADPHONE JACK

52151-0310  
DKN1281

**D MIC ASSY  
SEMICONDUCTORS**

IC800,IC801  
Q800,Q801

NJM2121M  
DTC124EUA

**SWITCHES AND RELAYS**

S800,S801

DSH1025

**CAPACITORS**

C808,C815  
C804,C811  
C800,C807  
C803,C810  
C818,C820

CCSRCH101J50  
CCSRCH181J50  
CCSRCH221J50  
CCSRCH331J50  
CEAL100M35

C816,C817  
C819,C821  
C802,C806,C809,C814

CEAT100M50  
CEAT101M16  
CKSRYB104K50

**RESISTORS**

R807,R813  
R821,R823  
R808,R814  
R822,R824  
Other Resistors

RN1/16SE2002D  
RN1/16SE2702D  
RN1/16SE3300D  
RN1/16SE4702D  
RS1/16S###J

5	6	
Mark No.	Description	Part No.
<b>OTHERS</b>		
9P CABLE HOLDER	51048-0900	
J801 JUMPER WIRE 9P	D20PDY0910E	
JA800,JA801 MIC JACK	DKN1248	
<b>E VRSW ASSY</b>		
<b>SEMICONDUCTORS</b>		
IC901-IC903	BA4560F	
IC904,IC905	TC74HC4052AF	
Q933	2SA1576A	
Q901-Q907	2SB1197K	
Q916,Q918,Q920,Q922,Q924	2SD2114K	
Q926,Q928,Q930	2SD2114K	
D934-D936,D940-D947	1SS355	
D901-D903	NKR131S	
D904,D911,D918,D928-D933	SLI-343URCW(RST)	
D905,D906,D912,D913	SLI-343YCW(RST)	
D919,D920,D925-D927	SLI-343YCW(RST)	
D937,D938,D948,D949	SLI-343YCW(RST)	
D907-D910,D914-D917	TLGE68TG(NP)	
D921-D924	TLGE68TG(NP)	

### SWITCHES AND RELAYS

S902-S912,S915,S916	DSG1079
S914	DSG1098
S913	DSG1099
S901	DSH1058

### CAPACITORS

C941-C946	CEJQ100M50
C940,C947	CEJQ101M10
C901-C903,C906-C911,C915	CFTNA334J50
C917-C920	CFTNA334J50
C923-C930,C932-C935	CKSRYB103K50
C904,C905,C912-C914,C916	CKSRYB104K50
C921,C922,C931,C936-C939	CKSRYB104K50
C948	CKSRYB104K50

### RESISTORS

R901,R906,R911,R915	RN1/16SE1202D
VR901,VR902	DCS1091
VR905,VR906,VR908-VR913	DCS1092
VR907,VR914	DCS1093
VR903,VR904	DCS1094
Other Resistors	RS1/16S###J

### OTHERS

12P CABLE HOLDER	51048-1200
CN902 FFC CONNECTOR 12P	52492-1220
CN901,CN903 FFC CONNECTOR 36P	52492-3620

### F CHRV ASSY

#### SWITCHES AND RELAYS

S1201,S1202	DSK1033
-------------	---------

7	8	
Mark No.	Description	Part No.
<b>OTHERS</b>		
12P CABLE HOLDER	51048-1200	
J1201 JUMPER WIRE 12P	D20PDD1205E	
LEVER SW STAY	DNF1740	
SCREW	CMZ26P050FTB	
<b>G FADER ASSY</b>		
<b>SEMICONDUCTORS</b>		
D1103,D1104,D1106-D1109	1SS355	
D1101,D1102	SLI-343YCW(RST)	
<b>SWITCHES AND RELAYS</b>		
S1101	ASH1037	
S1102,S1103	DSG1079	
<b>RESISTORS</b>		
VR1101,VR1102	DCV1010	
Other Resistors	RS1/16S###J	
<b>OTHERS</b>		
CN1101 FFC CONNECTOR 12P	52492-1220	
J1102 SMALL CONNECTOR	PG06MR-E07	
FADER STAY	DNF1746	
SCREW	PMH20P040FTC	
<b>H CFVR ASSY</b>		
<b>SEMICONDUCTORS</b>		
D2001,D2002	1SS355	
<b>RESISTORS</b>		
VR2101	DCV1006	
<b>OTHERS</b>		
CN2102 MT CONNECTOR 6P	173979-6	
<b>I TRANS ASSY</b>		
<b>SEMICONDUCTORS</b>		
⚠ D209,D210	1SR154-400	
⚠ D200-D203	RB160L-40	
<b>CAPACITORS</b>		
C200-C205	CKSRYB473K50	
<b>OTHERS</b>		
⚠ J2 CONNECTOR ASSY	DKP3744	
CN202 8P PCB CONNECTOR	S8B-XH-A-1	

## 6. ADJUSTMENT

• There is no information to be shown in this chapter.