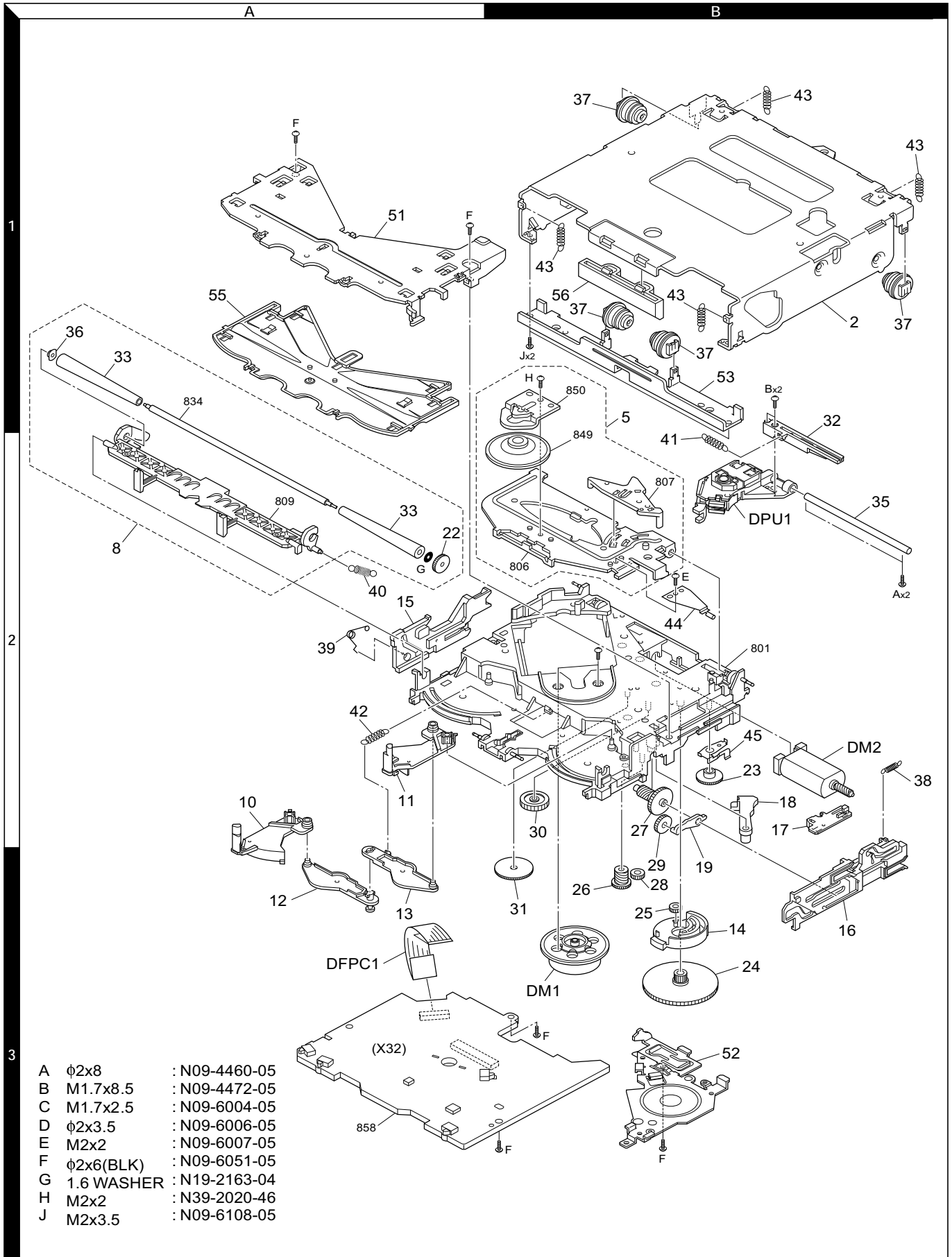


# KDC-2022/V/202MR/4023

## EXPLODED VIEW (MECHANISM)

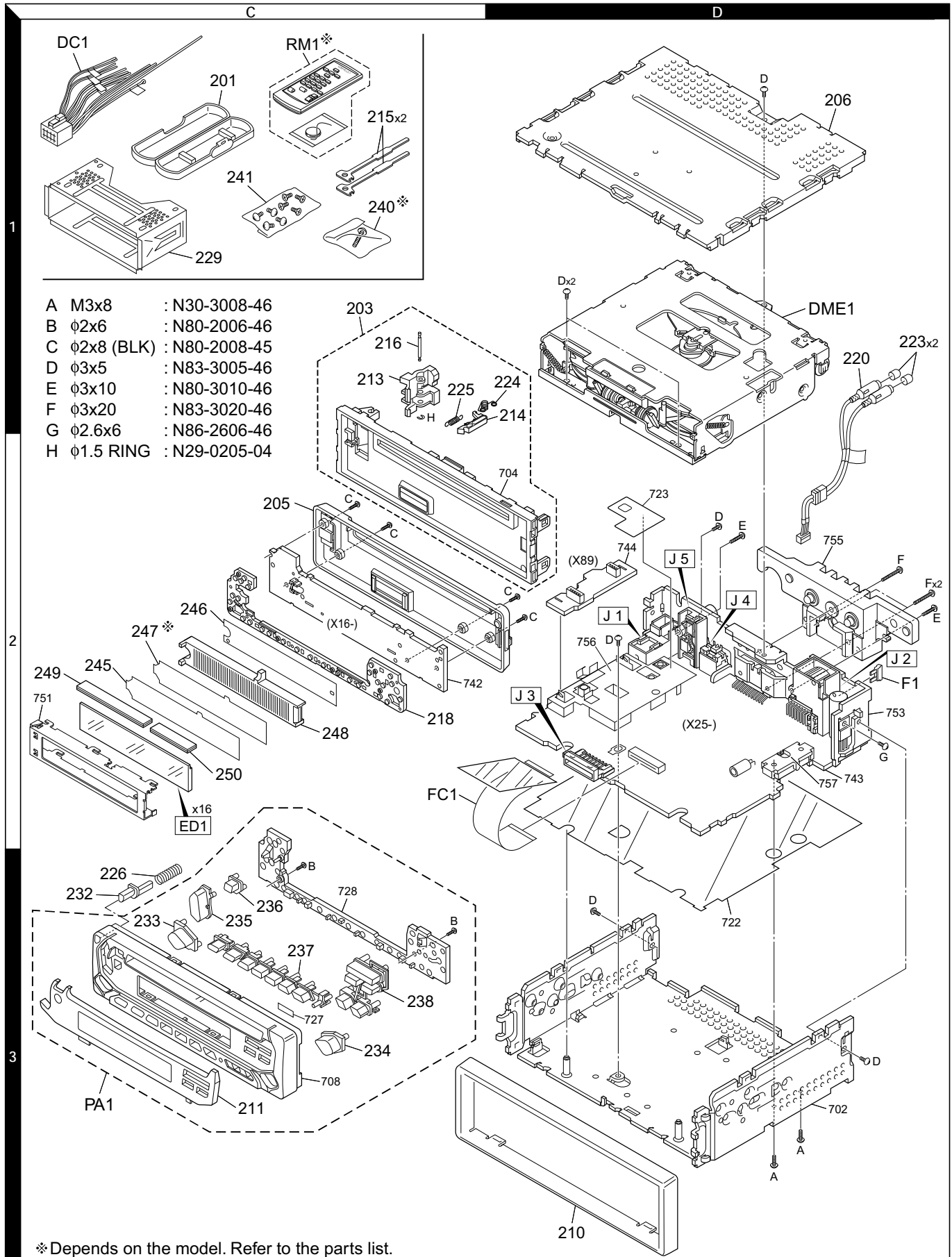


A	φ2x8	: N09-4460-05
B	M1.7x8.5	: N09-4472-05
C	M1.7x2.5	: N09-6004-05
D	φ2x3.5	: N09-6006-05
E	M2x2	: N09-6007-05
F	φ2x6(BLK)	: N09-6051-05
G	1.6 WASHER	: N19-2163-04
H	M2x2	: N39-2020-46
J	M2x3.5	: N09-6108-05

Parts with the exploded numbers larger than 700 are not supplied.

# KDC-2022N/202MR/4023

## EXPLODED VIEW (UNIT)



# KDC-2022/V/202MR/4023

## PARTS LIST

\* New Parts

Parts without **Parts No.** are not supplied.

Les articles non mentionnes dans le **Parts No.** ne sont pas fournis.

Teile ohne **Parts No.** werden nicht geliefert.

Ref. No.	A d d	N e w	Parts No.	Description	Dest inati on
<b>KDC-2022/2022V/202MR/4023</b>					
201	1C		A02-1486-13	PLASTIC CABINET ASSY	
203	1C		A22-2863-03	SUB PANEL ASSY	
205	2C		A46-1750-01	REAR COVER	
206	1D		A52-0804-02	TOP PLATE	
PA1	3C	*	A64-2864-02	PANEL ASSY	K
PA1	3C	*	A64-2865-02	PANEL ASSY	K1
PA1	3C	*	A64-2866-02	PANEL ASSY	K2
PA1	3C		A64-2871-02	PANEL ASSY	M1
RM1	1C		A70-2025-05	REMOTE CONTROLLER ASSY	KK1M1
-			B46-0100-50	WARRANTY CARD	
-			B46-0606-04	ID CARD	
-			B58-1365-04	CAUTION CARD	
-		*	B64-2475-00	INST.MANUAL(ENG.FRE.SPA.POR.)	KK1K2
-		*	B64-2476-00	INSTRUCTION MANUAL(ENG.T-CHI)	M1
-		*	B64-2477-00	INSTRUCTION MANUAL(ARABIC)	M1
210	3D		B07-3022-02	ESCUTCHEON	K2M1
210	3D		B07-3060-02	ESCUTCHEON	KK1
211	3C	*	B10-4334-01	FRONT GLASS	K
211	3C	*	B10-4335-01	FRONT GLASS	K1
211	3C	*	B10-4336-01	FRONT GLASS	K2
211	3C	*	B10-4340-01	FRONT GLASS	M1
213	1C		D10-4446-03	LEVER	
214	2C		D10-4447-03	LEVER	
215	1C		D10-4589-04	LEVER	
216	1C		D21-2329-04	SHAFT	
218	2C		E29-1872-02	CONDUCTIVE RUBBER	
220	1D		E30-4801-05	CORD WITH PINPLUG	
△ DC1	1C		E30-4784-05	DC CORD	
△ DC1	1C		E30-6131-05	DC CORD	
FC1	2D		E39-0476-05	FLAT CABLE	
△ 223	1D	*	F29-0626-04	INSULATING COVER	
F1	2D		F52-0006-05	FUSE(MINI BLADE TYPE)	
224	1C		G01-2987-04	TORSION COIL SPRING	
225	1C		G01-3096-04	EXTENSION SPRING	
226	3C		G01-3149-04	COMPRESSION SPRING	
-		*	H10-4856-02	POLYSTYRENE FOAMED FIXTURE	
-			H25-0329-04	PROTECTION BAG (280X450X0.03)	
-			H25-0337-04	PROTECTION BAG (180X300X0.03)	
-		*	H54-2733-03	ITEM CARTON CASE	K
-		*	H54-2734-03	ITEM CARTON CASE	K1
-		*	H54-2735-03	ITEM CARTON CASE	K2
-		*	H54-2739-03	ITEM CARTON CASE	M1
229	1C		J21-9716-03	MOUNTING HARDWARE ASSY	
232	3C		K24-3822-04	KNOB (RELEASE)	
233	3C		K24-3823-04	KNOB (SRC)	
234	3C		K24-3824-04	KNOB (AUD)	
235	3C		K24-3825-03	KNOB (VOL)	
236	3C		K24-3826-04	KNOB (EJECT)	
237	3C		K25-1396-03	KNOB (PRE1-6,ATT,RESET)	
238	3C		K25-1397-03	KNOB (AUTO,CLK,FM,AM)	

Ref. No.	A d d	N e w	Parts No.	Description	Dest inati on
240	1C		N99-1610-15	SCREW SET	KK1M1
241	1C		N99-1719-05	SCREW SET	
A	3D		N30-3008-46	PAN HEAD MACHINE SCREW	
B	3C		N80-2006-46	PAN HEAD TAPTITE SCREW	
C	2C		N80-2008-45	PAN HEAD TAPTITE SCREW	
D	1D		N83-3005-46	PAN HEAD TAPTITE SCREW	
H	1C		N29-0205-04	RETAINING RING (1.5)	
DME1	1D	*	X92-4640-00	MECHANISM ASSY	
<b>SWITCH UNIT (X16-1460-1x, X16-2370-10)</b>					
245	2C		B11-1358-04	OPTICAL DIFFUSER	K1M1
245	2C		B11-1372-04	OPTICAL DIFFUSER	KK2
246	2C		B11-1359-04	REFLECTION SHEET	
247	2C		B11-1360-04	COLOR FILTER	K2
247	2C		B11-1361-04	COLOR FILTER	K
248	2C		B19-2130-03	LIGHTING BOARD	
D1 -13			B30-1533-05	LED(1608,PG)	K2M1
D1 -13			B30-1567-05	LED(1608,RED)	KK1
D17 ,18			B30-1533-05	LED(1608,PG)	K2
D17 ,18			B30-1564-05	LED(1608,BLUE)	KK1M1
D17 ,18			B30-1642-05	LED (BLU)	KM1
D19			B30-1633-05	LED(WHITE)	
D20			B30-1533-05	LED(1608,PG)	K2M1
D20			B30-1567-05	LED(1608,RED)	KK1
ED1			B38-1080-05	LIQUID CRYSTAL	K1M1
ED1			B38-1081-05	LIQUID CRYSTAL	KK2
C1			CK73GB1H102K	CHIP C 1000PF K	
C2 ,3			CK73GB1E473K	CHIP C 0.047UF K	
C2 ,3			CK73GB1H473K	CHIP C 0.047UF K	
C4			CK73GB1H103K	CHIP C 0.010UF K	
C5			CK73FB1A225K	CHIP C 2.2UF K	
C6 ,7			CK73GB1H103K	CHIP C 0.010UF K	KK1M1
C9			CK73GB1H103K	CHIP C 0.010UF K	
249	2C		E29-1887-04	CONDUCTIVE RUBBER	
250	2C		E29-1888-04	CONDUCTIVE RUBBER	
J1			E59-0828-05	RECTANGULAR PLUG (15P)	
-			J19-5130-04	HOLDER (LED)	
R2 -4			RK73GB2A471J	CHIP R 470 J 1/10W	
R5			RK73GB2A102J	CHIP R 1.0K J 1/10W	
R7			RK73GB2A472J	CHIP R 4.7K J 1/10W	
R8			RK73GB2A563J	CHIP R 56K J 1/10W	
R10			RK73GB2A4R7J	CHIP R 4.7 J 1/10W	
R12			RK73GB2A102J	CHIP R 1.0K J 1/10W	
R13			RK73FB2B470J	CHIP R 47 J 1/8W	
R14 ,15			RK73FB2B331J	CHIP R 330 J 1/8W	
R16 -18			RK73FB2B511J	CHIP R 510 J 1/8W	
R19 ,20			RK73FB2B391J	CHIP R 390 J 1/8W	KK1M1
R19 ,20			RK73FB2B511J	CHIP R 510 J 1/8W	K2
R21 ,22			RK73FB2B221J	CHIP R 220 J 1/8W	
D22			MA3062WA	ZENER DIODE	
IC1			LC75853NE	MOS-IC	
IC2			RS-171	ANALOGUE IC	

K : KDC-2022V    K2 : KDC-202MR  
K1 : KDC-2022    M1 : KDC-4023

△ indicates safety critical components.

# KDC-2022V/202MR/4023

## PARTS LIST

\* New Parts

Parts without **Parts No.** are not supplied.

Les articles non mentionnes dans le **Parts No.** ne sont pas fournis.

Teile ohne **Parts No.** werden nicht geliefert.

KDC-2022/2022V/202MR/4023

Ref. No.	A d d	N e w	Parts No.	Description	Dest inati on
Q1			DTA114EUA	DIGITAL TRANSISTOR	
Q1			UN5111	DIGITAL TRANSISTOR	
<b>ELECTRIC UNIT (X25-9600-xx)</b>					
D102			B30-1567-05	LED(1608,RED)	
C1			C90-5242-05	ELECTRO 330UF 16WV	
C21			CK73GB1H103K	CHIP C 0.010UF K	
C40			CK73GB1H103K	CHIP C 0.010UF K	
C50			CE04NW1E100M	ELECTRO 10UF 25WV	KK1K2
C50,51			CE04NW1E100M	ELECTRO 10UF 25WV	M1
C52-54			CE04NW1C100M	ELECTRO 10UF 16WV	
C55			CE04NW1E100M	ELECTRO 10UF 25WV	
C56			CE04CW1H100M	ELECTRO 10UF 50WV	
C57			C90-2980-05	ELECTRO 220UF 16WV	
C58			C90-2962-05	ELECTRO 100UF 16WV	
C63			CE04NW1C220M	ELECTRO 22UF 16WV	
C101			CE04NW0J101M	ELECTRO 100UF 6.3WV	
C102			CK73GB1H103K	CHIP C 0.010UF K	
C103			CK73GB1C104K	CHIP C 0.10UF K	
C104,105			CC73GCH1H150J	CHIP C 15PF J	
C106			CK73GB1H152K	CHIP C 1500PF K	
C142			CK73GB1C104K	CHIP C 0.10UF K	
C204,205			CE04NW1H2R2M	ELECTRO 2.2UF 50WV	
C223,224			CE04NW1C100M	ELECTRO 10UF 16WV	
C251-254			C90-5296-05	NP-ELECT 0.22UF 50WV	
C255			CE04NW1H010M	ELECTRO 1.0UF 50WV	
C256			CE04NW1A101M	ELECTRO 100UF 10WV	K2
C256			CE04NW1A330M	ELECTRO 33UF 10WV	KK1M1
C257			CE04NW1H010M	ELECTRO 1.0UF 50WV	
C258			C90-2935-05	ELECTRO 1.0UF 50WV	
C401,402			C90-2608-05	ELECTRO 1.0UF 50WV	
C403			CE04CW1A101M	ELECTRO 100UF 10WV	
C404			CK73GB1H103K	CHIP C 0.010UF K	
C502			CK73GB1H152K	CHIP C 1500PF K	
C503			CK73GB1C104K	CHIP C 0.10UF K	
C504			CK73GB1H103K	CHIP C 0.010UF K	
C505			C90-2595-05	ELECTRO 4.7UF 16WV	
C506			CK73GB1C104K	CHIP C 0.10UF K	
C507			CE04CW1A330M	ELECTRO 33UF 10WV	
C508			CE04CW1A220M	ELECTRO 22UF 10WV	
C509			CC73GCH1H680J	CHIP C 68PF J	
C510			CC73GCH1H101J	CHIP C 100PF J	
C511			CK73GB1H103K	CHIP C 0.010UF K	
C512			C90-2595-05	ELECTRO 4.7UF 16WV	
C513,514			CK73GB1H103K	CHIP C 0.010UF K	
C515			CK73FB1C105K	CHIP C 1.0UF K	
C516			CC73GCH1H100D	CHIP C 10PF D	
C521			CK73GB1C104K	CHIP C 0.10UF K	
C522			CC73GCH1H330J	CHIP C 33PF J	
C523			CC73GCH1H270J	CHIP C 27PF J	
C524			CC73GCH1H101J	CHIP C 100PF J	
C525			CK73GB1H103K	CHIP C 0.010UF K	
C526			CC73GCH1H050C	CHIP C 5.0PF C	
C528			CC73GCH1H060D	CHIP C 6.0PF D	
C530			CC73GCH1H040C	CHIP C 4.0PF C	

Ref. No.	A d d	N e w	Parts No.	Description	Dest inati on
C531			CK73FB1C105K	CHIP C 1.0UF K	
C533,534			CK73GB1H103K	CHIP C 0.010UF K	
C535			CC73GCH1H020C	CHIP C 2.0PF C	
C536			CC73GCH1H040C	CHIP C 4.0PF C	
C537,538			CC73GCH1H080D	CHIP C 8.0PF D	
C541			CC73GCH1H040C	CHIP C 4.0PF C	
C542			CC73GCH1H220J	CHIP C 22PF J	
C543			CC73GCH1H680J	CHIP C 68PF J	
C544			CC73GCH1H150J	CHIP C 15PF J	
C545			CK73GB1H682K	CHIP C 6800PF K	
C546			CK73GB1H103K	CHIP C 0.010UF K	
C547			C90-2594-05	ELECTRO 10UF 10WV	
C548			CK73GB1E223K	CHIP C 0.022UF K	
C549			CK73GB1H222K	CHIP C 2200PF K	
C550			CK73GB1E333K	CHIP C 0.033UF K	
C551,552			CK73GB1H103K	CHIP C 0.010UF K	
C553,554			CK73GB1C104K	CHIP C 0.10UF K	
C555,556			CK73GB1H102K	CHIP C 1000PF K	
C560			CC73GCH1H101J	CHIP C 100PF J	
C561			C90-2608-05	ELECTRO 1.0UF 50WV	
C562			C90-2594-05	ELECTRO 10UF 10WV	
C563			C90-2606-05	ELECTRO 0.47UF 50WV	
C564			CK73GB1A474K	CHIP C 0.47UF K	
C565			CE04NW1A470M	ELECTRO 47UF 10WV	
C568			CC73GCH1H821J	CHIP C 820PF J	
C580			CK73GB1H103K	CHIP C 0.010UF K	
C581			CC73GCH1H020C	CHIP C 2.0PF C	
C582,583			CK73GB1C104K	CHIP C 0.10UF K	
C584			C90-2594-05	ELECTRO 10UF 10WV	
C585			CK73GB1H103K	CHIP C 0.010UF K	
C586			CK73GB1C104K	CHIP C 0.10UF K	
C587			CK73GB1H103K	CHIP C 0.010UF K	
C588			CK73GB1A474K	CHIP C 0.47UF K	
C589			CK73GB1C104K	CHIP C 0.10UF K	
C591			CE04CW1A330M	ELECTRO 33UF 10WV	
C593			CK73FB1C105K	CHIP C 1.0UF K	
C600			CE04CW1A101M	ELECTRO 100UF 10WV	
CN1			E40-9550-05	FLAT CABLE CONNECTOR	
CN3			E40-3246-05	PIN ASSY	K2
J1			E04-0312-05	RF COAXIAL CABLE RECEPTACLE	
J2			E58-0863-15	RECTANGULAR RECEPTACLE	
J3			E58-0879-05	RECTANGULAR RECEPTACLE	
J4			E56-0834-05	CYLINDRICAL RECEPTACLE	
J5			E63-0852-05	PIN JACK	
CF51-53			L72-0781-05	CERAMIC FILTER	
CF54			L72-0743-05	CERAMIC FILTER	
L1			L33-1170-05	CHOKE COIL ASSY	
L2			L33-1807-05	CHOKE COIL	
L4			L33-1123-05	LINE FILTER COIL	
L101			L40-4795-91	SMALL FIXED INDUCTOR(4.7UH,J)	
L501			L40-6891-58	SMALL FIXED INDUCTOR	
L502		*	L40-3301-58	SMALL FIXED INDUCTOR(33U)	
L503			L40-1021-56	SMALL FIXED INDUCTOR(1MH)	
L504			L40-1011-58	SMALL FIXED INDUCTOR	

# KDC-2022/V/202MR/4023

## PARTS LIST

\* New Parts

Parts without **Parts No.** are not supplied.

Les articles non mentionnes dans le **Parts No.** ne sont pas fournis.

Teile ohne **Parts No.** werden nicht geliefert.

### ELECTRIC UNIT (X25-9600-xx)

Ref. No.	A d d	N e w	Parts No.	Description	Dest inati on	Ref. No.	A d d	N e w	Parts No.	Description	Dest inati on
L505		*	L31-0967-05	FM-RF COIL		R132			RK73GB2A222J	CHIP R 2.2K J 1/10W	
L506		*	L31-0970-05	FM-RF COIL		R133			RK73GB2A123J	CHIP R 12K J 1/10W	
L507		*	L32-0933-05	OSCILATING COIL		R136			RK73GB2A473J	CHIP R 47K J 1/10W	KK1K2
L508		*	L30-0770-05	FM IFT		R136,137			RK73GB2A473J	CHIP R 47K J 1/10W	M1
L509		*	L30-0771-05	AM IFT		R138,139			RK73GB2A473J	CHIP R 47K J 1/10W	KK1K2
L510-517			L40-4795-91	SMALL FIXED INDUCTOR(4.7UH,J)		R139			RK73GB2A473J	CHIP R 47K J 1/10W	M1
X1			L77-1167-05	CRYSTAL RESONATOR(4.19M)		R141			RD14BB2C472J	RD 4.7K J 1/6W	
X501			L77-2077-05	CRYSTAL RESONATOR		R143			RD14BB2C472J	RD 4.7K J 1/6W	
D	2D		N83-3005-46	PAN HEAD TAPTITE SCREW		R144			RK73GB2A104J	CHIP R 100K J 1/10W	
E	2D		N80-3010-46	PAN HEAD TAPTITE SCREW		R145			RD14BB2C222J	RD 2.2K J 1/6W	
F	2D		N83-3020-46	PAN HEAD TAPTITE SCREW		R163			RD14BB2C100J	RD 10 J 1/6W	
G	2D		N86-2606-46	BINDING HEAD TAPTITE SCREW		R164,165			RD14BB2C471J	RD 470 J 1/6W	
CP1			R90-1049-05	MULTI-COMP 10K X2		R166			RD14BB2C102J	RD 1.0K J 1/6W	
CP2			R90-1047-05	MULTI-COMP 2.2K X2		R167			RD14BB2C101J	RD 100 J 1/6W	
CP3			R90-1046-05	MULTI-COMP 1K X2		R169,170			RD14BB2C102J	RD 1.0K J 1/6W	
R10			RK73FB2B303J	CHIP R 30K J 1/8W		R171			RD14BB2C470J	RD 47 J 1/6W	
R11			RK73GB2A103J	CHIP R 10K J 1/10W		R172			RD14BB2C102J	RD 1.0K J 1/6W	
R12			RK73GB2A104J	CHIP R 100K J 1/10W		R173			RK73GB2A102J	CHIP R 1.0K J 1/10W	K2
R20			RD14DB2H332J	SMALL-RD 3.3K J 1/2W		R174			RK73GB2A473J	CHIP R 47K J 1/10W	
R21			RD14BB2C333J	RD 33K J 1/6W		R201			RK73GB2A473J	CHIP R 47K J 1/10W	
R22			RK73GB2A103J	CHIP R 10K J 1/10W		R223,224			RK73FB2B271J	CHIP R 270 J 1/8W	
R23			RK73GB2A104J	CHIP R 100K J 1/10W		R227,228			RD14BB2C303J	RD 30K J 1/6W	
R25			RD14BB2C472J	RD 4.7K J 1/6W	M1	R231,232			RD14BB2C101J	RD 100 J 1/6W	
R28			RD14BB2C472J	RD 4.7K J 1/6W		R251			RK73GB2A472J	CHIP R 4.7K J 1/10W	K2
R50			RD14BB2C562J	RD 5.6K J 1/6W		R252,253			RD14BB2C472J	RD 4.7K J 1/6W	K2
R51			RK73GB2A473J	CHIP R 47K J 1/10W		R254			RK73GB2A472J	CHIP R 4.7K J 1/10W	K2
R57			RK73FB2B152J	CHIP R 1.5K J 1/8W		R255			RK73GB2A333J	CHIP R 33K J 1/10W	
R58			RK73GB2A471J	CHIP R 470 J 1/10W		R256			RK73FB2B102J	CHIP R 1.0K J 1/8W	K2
R67 -69			RK73GB2A103J	CHIP R 10K J 1/10W	M1	R257			RK73GB2A622J	CHIP R 6.2K J 1/10W	
R68 ,69			RK73GB2A103J	CHIP R 10K J 1/10W	KK1K2	R258			RK73GB2A101J	CHIP R 100 J 1/10W	K2
R71			RK73GB2A823J	CHIP R 82K J 1/10W		R258			RK73GB2A221J	CHIP R 220 J 1/10W	KK1M1
R72			RK73GB2A363J	CHIP R 36K J 1/10W		R259			RD14BB2C223J	RD 22K J 1/6W	
R73			RK73GB2A104J	CHIP R 100K J 1/10W		R260			RK73GB2A751J	CHIP R 750 J 1/10W	K2
R101			RD14BB2C241J	RD 240 J 1/6W		R261			RK73GB2A100J	CHIP R 10 J 1/10W	KK1M1
R103,104			RK73GB2A102J	CHIP R 1.0K J 1/10W		R261			RK73GB2A431J	CHIP R 430 J 1/10W	K2
R105			RK73GB2A471J	CHIP R 470 J 1/10W		R263			RK73GB2A184J	CHIP R 180K J 1/10W	K2
R106			RK73GB2A104J	CHIP R 100K J 1/10W		R263			RK73GB2A432J	CHIP R 4.3K J 1/10W	KK1M1
R107,108			RK73GB2A222J	CHIP R 2.2K J 1/10W		R264			RK73GB2A473J	CHIP R 47K J 1/10W	
R110			RK73GB2A472J	CHIP R 4.7K J 1/10W		R401,402			RD14BB2C100J	RD 10 J 1/6W	
R113,114			RK73GB2A473J	CHIP R 47K J 1/10W		R403			RD14BB2C4R7J	RD 4.7 J 1/6W	
R115			RK73GB2A102J	CHIP R 1.0K J 1/10W		R404			RD14BB2C101J	RD 100 J 1/6W	
R116			RK73GB2A103J	CHIP R 10K J 1/10W		R405-409			RD14BB2C472J	RD 4.7K J 1/6W	
R117			RK73GB2A102J	CHIP R 1.0K J 1/10W		R410,411			RD14BB2C101J	RD 100 J 1/6W	
R118			RK73GB2A103J	CHIP R 10K J 1/10W		R412-415			RK73GB2A104J	CHIP R 100K J 1/10W	
R119			RK73GB2A473J	CHIP R 47K J 1/10W		R501			RK73GB2A682J	CHIP R 6.8K J 1/10W	
R121			RK73GB2A222J	CHIP R 2.2K J 1/10W		R502			RK73GB2A222J	CHIP R 2.2K J 1/10W	
R122			RK73GB2A101J	CHIP R 100 J 1/10W		R503			RK73EB2E222J	CHIP R 2.2K J 1/4W	
R123			RK73GB2A102J	CHIP R 1.0K J 1/10W		R505			RK73GB2A102J	CHIP R 1.0K J 1/10W	
R125			RK73GB2A102J	CHIP R 1.0K J 1/10W		R506			RK73GB2A105J	CHIP R 1.0M J 1/10W	
R126			RK73GB2A104J	CHIP R 100K J 1/10W		R507			RK73GB2A102J	CHIP R 1.0K J 1/10W	
R127			RK73GB2A222J	CHIP R 2.2K J 1/10W		R521-524			RK73GB2A104J	CHIP R 100K J 1/10W	
R128			RK73GB2A225J	CHIP R 2.2M J 1/10W		R525			RK73GB2A331J	CHIP R 330 J 1/10W	
R129,130			RK73GB2A222J	CHIP R 2.2K J 1/10W		R526			RK73GB2A562J	CHIP R 5.6K J 1/10W	
R131			RK73GB2A682J	CHIP R 6.8K J 1/10W		R527			RK73GB2A104J	CHIP R 100K J 1/10W	
						R528			RD14BB2C104J	RD 100K J 1/6W	

K : KDC-2022V K2 : KDC-202MR  
K1 : KDC-2022 M1 : KDC-4023

△ indicates safety critical components.

# KDC-2022N/202MR/4023

## PARTS LIST

\* New Parts

Parts without **Parts No.** are not supplied.

Les articles non mentionnes dans le **Parts No.** ne sont pas fournis.

Teile ohne **Parts No.** werden nicht geliefert.

### ELECTRIC UNIT (X25-9600-xx)

Ref. No.	A d d	N e w	Parts No.	Description	Dest inati on
R543			RK73GB2A562J	CHIP R 5.6K J 1/10W	
R544			RK73GB2A222J	CHIP R 2.2K J 1/10W	
R545			RK73GB2A432J	CHIP R 4.3K J 1/10W	
R546			RK73GB2A333J	CHIP R 33K J 1/10W	
R547			RK73GB2A220J	CHIP R 22 J 1/10W	
R561			RK73GB2A272J	CHIP R 2.7K J 1/10W	
R563,564			RK73GB2A103J	CHIP R 10K J 1/10W	
R565			RK73GB2A104J	CHIP R 100K J 1/10W	
R566,567			RK73GB2A102J	CHIP R 1.0K J 1/10W	
R581			RK73GB2A102J	CHIP R 1.0K J 1/10W	
W156,157			R92-2053-05	CHIP R 0 J 1/8W	
W158			R92-1252-05	CHIP R 0 OHM J 1/16W	
W160			R92-2052-05	CHIP R 0 OHM J 1/10W	
W161,162			R92-2053-05	CHIP R 0 J 1/8W	
W165			R92-2053-05	CHIP R 0 J 1/8W	
W402			R92-2053-05	CHIP R 0 J 1/8W	K2
W403			R92-1252-05	CHIP R 0 OHM J 1/16W	K2
W405,406			R92-1252-05	CHIP R 0 OHM J 1/16W	KK1M1
W409			R92-1252-05	CHIP R 0 OHM J 1/16W	KK1M1
W415			R92-2053-05	CHIP R 0 J 1/8W	KK1M1
W500,501			R92-1252-05	CHIP R 0 OHM J 1/16W	
W504,505			R92-1252-05	CHIP R 0 OHM J 1/16W	
W506			R92-2053-05	CHIP R 0 J 1/8W	
W507			R92-1252-05	CHIP R 0 OHM J 1/16W	
W508			R92-2053-05	CHIP R 0 J 1/8W	
W509			R92-1252-05	CHIP R 0 OHM J 1/16W	
W510			R92-2053-05	CHIP R 0 J 1/8W	
W511			R92-1252-05	CHIP R 0 OHM J 1/16W	
W516			R92-1252-05	CHIP R 0 OHM J 1/16W	
W517			R92-2053-05	CHIP R 0 J 1/8W	
W519			R92-2053-05	CHIP R 0 J 1/8W	
W521			R92-1252-05	CHIP R 0 OHM J 1/16W	
W523,524			R92-1252-05	CHIP R 0 OHM J 1/16W	
W530			R92-2053-05	CHIP R 0 J 1/8W	
W531,532			R92-1252-05	CHIP R 0 OHM J 1/16W	
W533			R92-2053-05	CHIP R 0 J 1/8W	
W534			R92-1252-05	CHIP R 0 OHM J 1/16W	
W601			R92-1252-05	CHIP R 0 OHM J 1/16W	
D1			S2V20*A	DIODE	
D1			1N5393G-M6	DIODE	
D3			IMSA-6801	SURGE ABSORBER	
D10			MA4068(N)-M	ZENER DIODE	
D11			D1F60	DIODE	M1
D12			AM01Z	DIODE	M1
D13			D1F60	DIODE	
D14			AM01Z	DIODE	
D20			MA4068(N)-M	ZENER DIODE	
D40			1SS133	DIODE	
D50			DAN202U	DIODE	
D51			MA4082(N)-L	ZENER DIODE	
D70			MA4068(N)-M	ZENER DIODE	
D101			1SS133	DIODE	
D103			DA204U	DIODE	
D106			MA4062-L	ZENER DIODE	

Ref. No.	A d d	N e w	Parts No.	Description	Dest inati on
D107			MA3062WA	ZENER DIODE	
D108			MA4062-L	ZENER DIODE	
D110			HZS12A2	ZENER DIODE	
D201,202			MA4068(N)-M	ZENER DIODE	
D251-253			1SS133	DIODE	
D261-263			AM01Z	DIODE	KK1M1
D264			D1F60	DIODE	KK1M1
D264			S1J	DIODE	KK1M1
D265,266			AM01Z	DIODE	KK1M1
D267,268			D1F60	DIODE	KK1M1
D267,268			S1J	DIODE	KK1M1
D401,402			MA4068(N)-M	ZENER DIODE	
D403-405			MA4062-L	ZENER DIODE	
D407-410			MA4062-L	ZENER DIODE	
D411			MA3062WA	ZENER DIODE	
D501			RN739F	DIODE	
D503			RN739F	DIODE	
D504-506		*	KV1720S	VARIABLE CAPACITANCE DIODE	
IC1		*	UPD780058GC499	MI-COM IC	
IC4			TDA7386	ANALOGUE IC	K2
IC4			TDA7560	ANALOGUE IC	KK1M1
IC7			BA4911-V4	ANALOGUE IC	
IC8			HD74HC27FP	MOS-IC	
IC10		*	TDA7513	ANALOGUE IC	
IC11		*	PST3435UL	MOS-IC	
IC12			BR24C01AF-W	MEMORY IC	
IC12			M24C01-WMN6T	MEMORY IC	
IC12		*	S-24CS02AFJ-TB	MEMORY IC	
Q10			2SC4081	TRANSISTOR	
Q20			2SC4081	TRANSISTOR	
Q40			DTA124EUA	DIGITAL TRANSISTOR	
Q50			2SA1036K	TRANSISTOR	
Q51			UMC2N	TRANSISTOR	
Q53			UMC2N	TRANSISTOR	M1
Q55			2SD2375	TRANSISTOR	
Q70			2SC4081	TRANSISTOR	
Q101			2SC4081	TRANSISTOR	
Q102			DTA114YUA	DIGITAL TRANSISTOR	
Q223,224			DTC143TUA	DIGITAL TRANSISTOR	
Q251			DTC114YUA	DIGITAL TRANSISTOR	K2
Q501		*	CPH5905	TRANSISTOR	
Q502			3SK126	FET	
TH1			PTH9C42BE471Q	POSITIVE RESISTOR	
<b>CD PLAYER UNIT (X32-5380-00)</b>					
C1			C92-0566-05	CHIP-TAN 10UF 6.3WV	
C2			CK73FB1A225K	CHIP C 2.2UF K	
C3			CK73GB0J105K	CHIP C 1.0UF K	
C5			CC73GCH1H020C	CHIP C 2.0PF C	
C6			CC73GCH1H390J	CHIP C 39PF J	
C7			CK73GB1C104K	CHIP C 0.10UF K	
C8			CK73GB0J105K	CHIP C 1.0UF K	
C9			CK73GB1H472K	CHIP C 4700PF K	
C10			CK73GB1C333K	CHIP C 0.033UF K	
C11			CK73GB1H682K	CHIP C 6800PF K	

# KDC-2022/V/202MR/4023

## PARTS LIST

\* New Parts

Parts without **Parts No.** are not supplied.

Les articles non mentionnes dans le **Parts No.** ne sont pas fournis.

Teile ohne **Parts No.** werden nicht geliefert.

### CD PLAYER UNIT (X32-5380-00)

Ref. No.	A d d	N e w	Parts No.	Description	Dest inati on
C12			CK73GB1H332K	CHIP C 3300PF K	
C13			CC73GCH1H271J	CHIP C 2700PF J	
C14			CK73GB1H472K	CHIP C 4700PF K	
C15			CK73GB1H222K	CHIP C 2200PF K	
C16			CC73GCH1H331J	CHIP C 330PF J	
C17 ,18			CK73GB1C104K	CHIP C 0.10UF K	
C31 -34			CK73GB1C104K	CHIP C 0.10UF K	
C36			CK73FB1A225K	CHIP C 2.2UF K	
C37 -39			CK73GB1H103K	CHIP C 0.010UF K	
C40			CK73GB1H153K	CHIP C 0.015UF K	
C41			CK73GB1H102K	CHIP C 1000PF K	
C42			CK73GB1E473K	CHIP C 0.047UF K	
C43			CK73GB1H222K	CHIP C 2200PF K	
C44			CK73GB1H102K	CHIP C 1000PF K	
C45 -47			CK73GB1C104K	CHIP C 0.10UF K	
C48			CK73GB1H682K	CHIP C 6800PF K	
C49			CK73GB1H152K	CHIP C 1500PF K	
C50			CK73GB1H682K	CHIP C 6800PF K	
C51			CK73GB1H152K	CHIP C 1500PF K	
C52			CK73GB1C104K	CHIP C 0.10UF K	
C61			CK73FB1A225K	CHIP C 2.2UF K	
C69 -72			CK73GB1H222K	CHIP C 2200PF K	
C75 ,76			CK73GB1H682K	CHIP C 6800PF K	
C100-102			CK73GB1H102K	CHIP C 1000PF K	
CN1			E40-9536-05	FLAT CABLE CONNECTOR	
CN1			E41-0193-05	FLAT CABLE CONNECTOR	
CN2			E40-9339-05	FLAT CABLE CONNECTOR	
CN2			E41-0129-05	FLAT CABLE CONNECTOR	
X1			L78-0851-05	RESONATOR (16.93MHZ)	
CP1			R90-1019-05	MULTI-COMP 100 X2	
CP2			R90-1014-05	MULTI-COMP 100 X4	
CP3 ,4			R90-0974-05	MULT R 1.8K X4	
CP5			R90-0720-05	MULTI-COMP 100K X4	
R1			RK73GB2A910J	CHIP R 91 J 1/10W	
R2 ,3			RK73GB2A562J	CHIP R 5.6K J 1/10W	
R4			RK73FB2B100J	CHIP R 10 J 1/8W	
R5 ,6			RK73GB2A332J	CHIP R 3.3K J 1/10W	
R7			RK73GB2A362J	CHIP R 3.6K J 1/10W	
R8			RK73GB2A273J	CHIP R 27K J 1/10W	
R9			RK73GB2A392J	CHIP R 3.9K J 1/10W	
R10			RK73GB2A104J	CHIP R 100K J 1/10W	
R11			RK73GB2A333J	CHIP R 33K J 1/10W	
R12			RK73GB2A244J	CHIP R 240K J 1/10W	
R13			RK73GB2A914J	CHIP R 910K J 1/10W	
R14			RK73GB2A104J	CHIP R 100K J 1/10W	
R15			RK73GB2A472J	CHIP R 4.7K J 1/10W	
R31			RK73GB2A273J	CHIP R 27K J 1/10W	
R32			RK73GB2A103J	CHIP R 10K J 1/10W	
R33			RK73GB2A183J	CHIP R 18K J 1/10W	
R34			RK73GB2A103J	CHIP R 10K J 1/10W	
R35			RK73GB2A393J	CHIP R 39K J 1/10W	
R36			RK73GB2A103J	CHIP R 10K J 1/10W	
R37			RK73GB2A622J	CHIP R 6.2K J 1/10W	
R38			RK73GB2A224J	CHIP R 220K J 1/10W	

Ref. No.	A d d	N e w	Parts No.	Description	Dest inati on
R39			RK73GB2A104J	CHIP R 100K J 1/10W	
R40			RK73GB2A821J	CHIP R 820 J 1/10W	
R41			RK73GB2A473J	CHIP R 47K J 1/10W	
R42			RK73GB2A472J	CHIP R 4.7K J 1/10W	
R43			RK73GB2A102J	CHIP R 1.0K J 1/10W	
R44 ,45			RK73GB2A103J	CHIP R 10K J 1/10W	
R46			RK73GB2A273J	CHIP R 27K J 1/10W	
R47			RK73GB2A222J	CHIP R 2.2K J 1/10W	
R48			RK73GB2A103J	CHIP R 10K J 1/10W	
R49			RK73GB2A393J	CHIP R 39K J 1/10W	
R50			RK73GB2A392J	CHIP R 3.9K J 1/10W	
R51			RK73GB2A103J	CHIP R 10K J 1/10W	
R52 ,53			RK73GB2A472J	CHIP R 4.7K J 1/10W	
R71			RK73GB2A133J	CHIP R 13K J 1/10W	
R72			RK73FB2B201J	CHIP R 200 J 1/8W	
R81 ,82			RK73FB2B331J	CHIP R 330 J 1/8W	
R85 ,86			RK73FB2B331J	CHIP R 330 J 1/8W	
R87 ,88			RK73FB2B101J	CHIP R 100 J 1/8W	
R93			RK73GB2A104J	CHIP R 100K J 1/10W	
R100			RK73GB2A100J	CHIP R 10 J 1/10W	
S1 ,2			S68-0863-05	PUSH SWITCH	
S3			S68-0862-05	PUSH SWITCH	
D1			DAN202U	DIODE	
D1			MA142WK	DIODE	
D2			MA8051-L	ZENER DIODE	
D3			DA204U	DIODE	
IC1			AN22002AA	ANALOGUE IC	
IC2		*	MN6627771KP	MOS-IC	
IC3			BA5824FP	ANALOGUE IC	
Q1			MCH6101	TRANSISTOR	
Q2			2SA1362(Y)	TRANSISTOR	
Q3			DTC124EUA	DIGITAL TRANSISTOR	
Q3			UN5212	DIGITAL TRANSISTOR	
Q4			DTA143XUA	DIGITAL TRANSISTOR	
Q5			2SC4081	TRANSISTOR	
Q6			2SA1576A	TRANSISTOR	
<b>DAUGHTER UNIT (X89-2590-10)</b>					
C221,222			CE04DW1C100M	ELECTRO 10UF 16VV	
CN90			E40-3238-05	PIN ASSY	
CN91			E40-3249-05	PIN ASSY	
R221,222			RK73GB2A271J	CHIP R 270 J 1/10W	
R225,226			RK73GB2A303J	CHIP R 30K J 1/10W	
R229,230			RD14BB2C101J	RD 100 J 1/6W	
Q221,222			DTC143TUA	DIGITAL TRANSISTOR	
Q225			DTA124EUA	DIGITAL TRANSISTOR	
<b>CD MECHANISM ASSY (X92-4640-00)</b>					
2		1B	A10-4827-12	CHASSIS	
5		1B	D10-4576-33	ARM ASSY	
8		2A	D10-4579-03	LEVER ASSY	
10		3A	D10-4581-13	ARM	
11		2A	D10-4582-13	ARM	
12		3A	D10-4583-03	ARM	

K : KDC-2022V    K2 : KDC-202MR  
K1 : KDC-2022    M1 : KDC-4023

△ indicates safety critical components.

