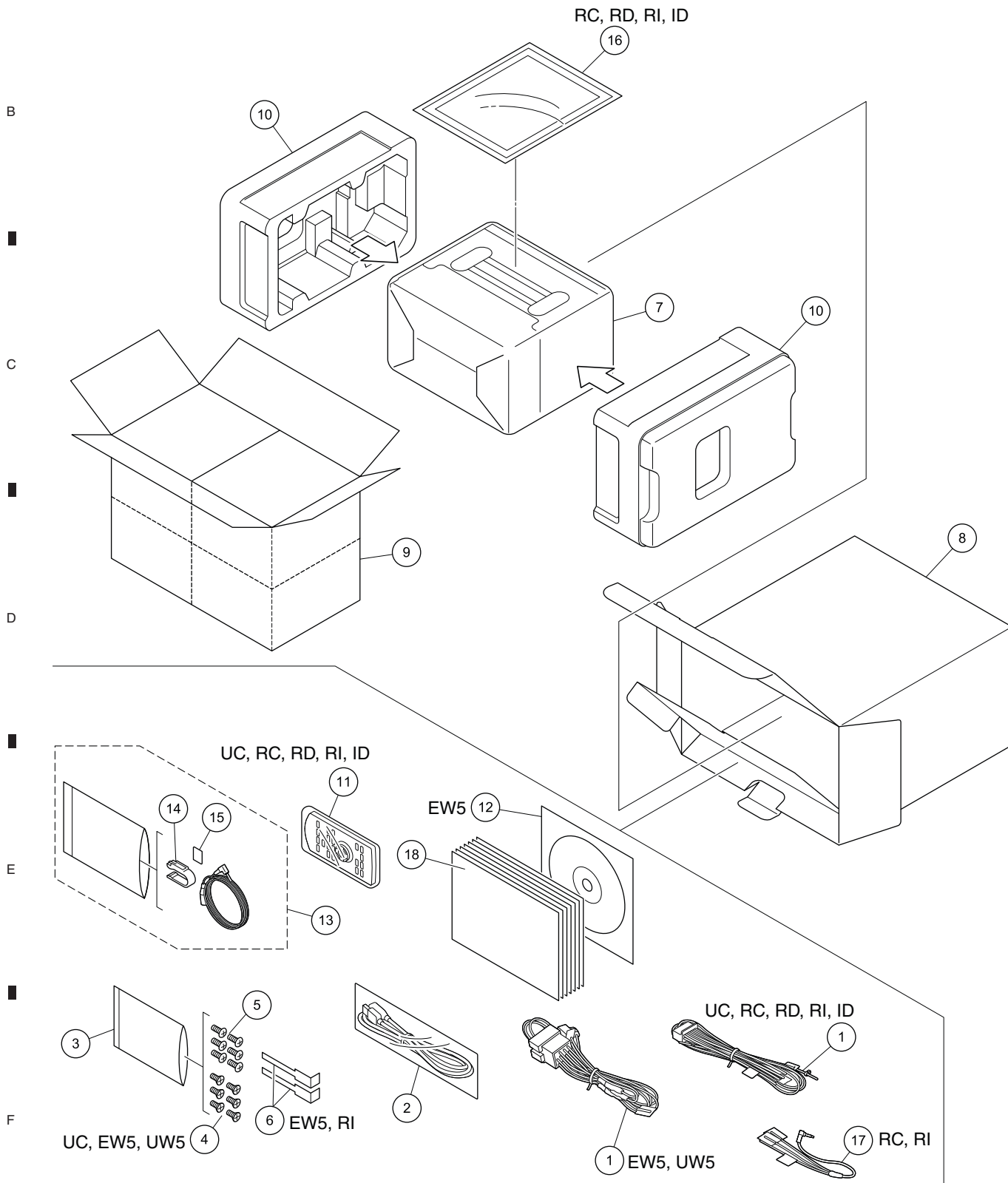


9. EXPLODED VIEWS AND PARTS LIST

- NOTES :**
- Parts marked by "*" are generally unavailable because they are not in our Master Spare Parts List.
 - The ⚠ mark found on some component parts indicates the importance of the safety factor of the part. Therefore, when replacing, be sure to use parts of identical designation.
 - Screw adjacent to ▽ mark on the product are used for disassembly.
 - For the applying amount of lubricants or glue, follow the instructions in this manual.
(In the case of no amount instructions, apply as you think it appropriate.)

9.1 PACKING



(1) PACKING SECTION PARTS LIST

<u>Mark No.</u>	<u>Description</u>	<u>Part No.</u>	<u>Mark No.</u>	<u>Description</u>	<u>Part No.</u>
1	Cord Assy	See Contrast table (2)	13	Microphone Assy	CPM1083
2	USB Extended Cable	CDP1587	14	Holder	CZN7192
3	Polyethylene Bag	CEG1160	15	Cushion	CZN7193
4	Screw	See Contrast table (2)			
5	Screw	TRZ50P080FTC	16	Panel	See Contrast table (2)
			17	Cord Assy	See Contrast table (2)
6	Handle	See Contrast table (2)	18-1	Owner's Manual	See Contrast table (2)
7	Cover	See Contrast table (2)	18-2	Quick Start Guide	See Contrast table (2)
8	Unit Box	See Contrast table (2)	18-3	Installation Manual	See Contrast table (2)
9	Contain Box	See Contrast table (2)			
10	Protector	See Contrast table (2)	*	18-4 Caution Card	See Contrast table (2)
			*	18-5 Caution Card	See Contrast table (2)
11	Card Remote Control Unit	See Contrast table (2)	*	18-6 Service Network	See Contrast table (2)
12	IM CD-ROM	See Contrast table (2)	*	18-7 Warranty Card	See Contrast table (2)

(2) CONTRAST TABLE

AVH-X2700BS/XNUC, AVH-X2700BT/XNEW5, AVH-X2700BT/XNUW5, AVH-X2750BT/XNRC, AVH-X2750BT/XNRD, AVH-X2750BT/XNRI and AVH-X2790BT/XNID are constructed the same except for the following:

Mark	No.	Description	AVH-X2700BS/ XNUC	AVH-X2700BT/ XNEW5	AVH-X2700BT/ XNUW5	AVH-X2750BT/ XNRC	AVH-X2750BT/ XNRD
	1	Cord Assy	CDP1665	CDP1670	CDP1670	CDP1665	CDP1665
	4	Screw	CRZ50P090FTC	CRZ50P090FTC	CRZ50P090FTC	Not used	Not used
	6	Handle	Not used	CND6289	CND6289	Not used	Not used
	7	Cover	CEG1359	CEG1356	CEG1356	CEG1356	CEG1356
	8	Unit Box	CHG8704	CHG8712	CHG8714	CHG8705	CHG8706
	9	Contain Box	CHL8704	CHL8712	CHL8714	CHL8705	CHL8706
	10	Protector	CHP4598	CHP4599	CHP4599	CHP4598	CHP4598
	11	Card Remote Control Unit	CXE5116	Not used	Not used	CXE5116	CXE5116
	12	IM CD-ROM	Not used	CPJ1484	Not used	Not used	Not used
	16	Panel	Not used	Not used	Not used	CNS9475	CNS9475
	17	Cord Assy	Not used	Not used	Not used	CDP1655	Not used
	18-1	Owner's Manual	CRD4822	Not used	CRB4450	CRD4823	CRD4824
	18-2	Quick Start Guide	Not used	CRD4820	Not used	Not used	Not used
	18-3	Installation Manual	Not used	CRD4821	Not used	Not used	Not used
*	18-4	Caution Card	Not used	CRP1436	Not used	Not used	Not used
*	18-5	Caution Card	Not used	CRP1441	Not used	Not used	Not used
*	18-6	Service Network	Not used	Not used	Not used	Not used	Not used
*	18-7	Warranty Card	QRY3001	CRY1376	CRY1376	Not used	Not used

Mark	No.	Description	AVH-X2750BT/ XNRI	AVH-X2790BT/ XNID
	1	Cord Assy	CDP1665	CDP1665
	4	Screw	Not used	Not used
	6	Handle	CND6289	Not used
	7	Cover	CEG1356	CEG1356
	8	Unit Box	CHG8715	CHG8707
	9	Contain Box	CHL8715	CHL8707
	10	Protector	CHP4599	CHP4598
	11	Card Remote Control Unit	CXE5116	CXE5116
	12	IM CD-ROM	Not used	Not used
	16	Panel	CNS9475	CNS9475
	17	Cord Assy	CDP1655	Not used
	18-1	Owner's Manual	CRD4825	CRB4451
	18-2	Quick Start Guide	Not used	Not used
	18-3	Installation Manual	Not used	Not used
*	18-4	Caution Card	Not used	Not used

9.2 EXTERIOR (1)

1

2

3

4

A

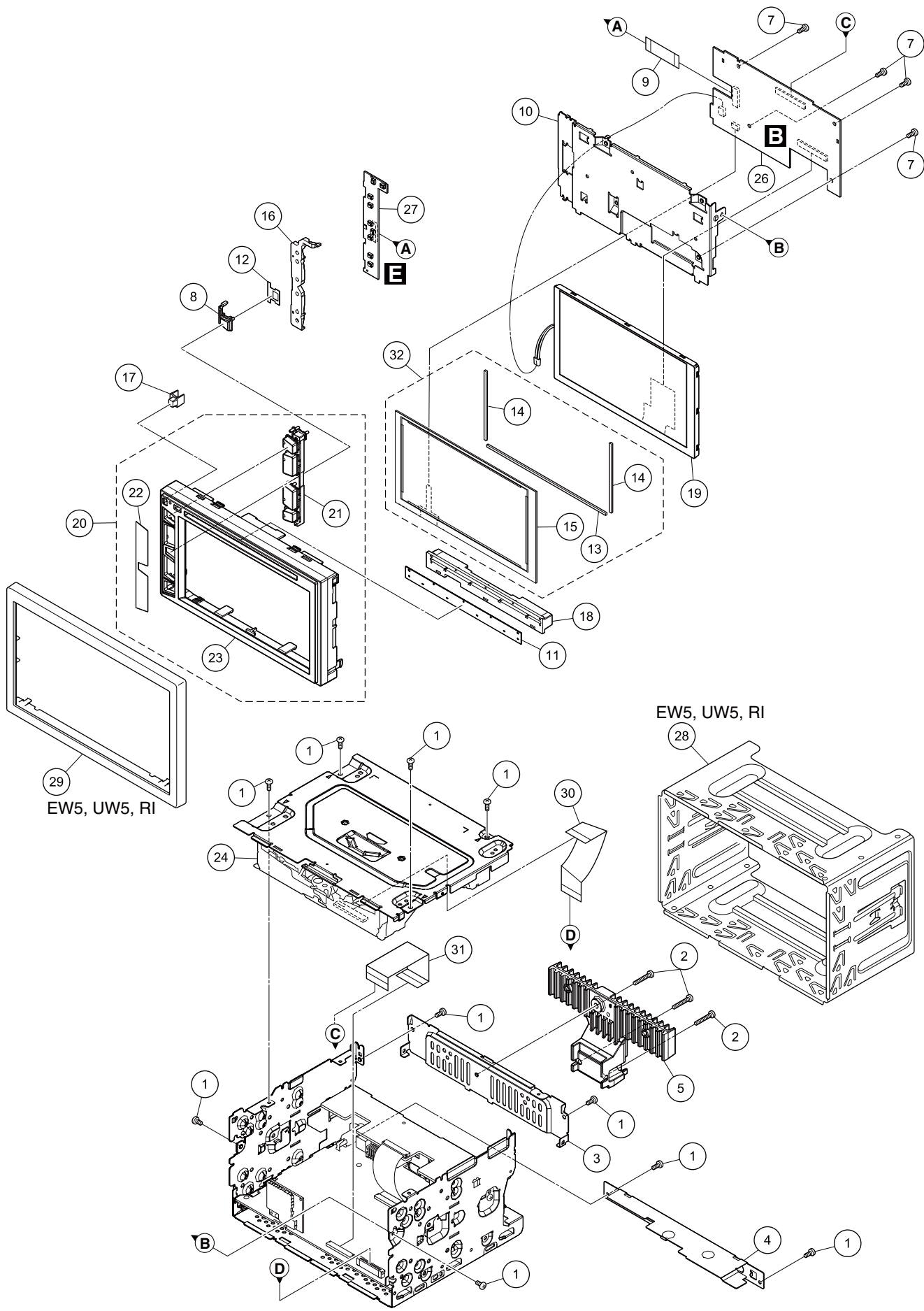
B

C

D

E

F



EW5, UW5, RI

EW5, UW5, RI

AVH-X2700BS/XNUC

1

2

3

4

(1) EXTERIOR (1) SECTION PARTS LIST

<u>Mark No.</u>	<u>Description</u>	<u>Part No.</u>	<u>Mark No.</u>	<u>Description</u>	<u>Part No.</u>
1	Screw	BSZ26P060FTC	17	Lighting Conductor	CNW3303
2	Screw	BSZ26P120FTC	18	Holder	CNW3304
3	Holder	CND7211	19	TFT LCD	CWX4348
4	Holder	CND7212	20	Grille Assy	See Contrast table (2)
5	Heat Sink	CNR2170			
6		21	Button	CAI4447
7	Screw	BSZ26P060FTC	22	Plate	See Contrast table (2)
8	Button (HOME)	CAI4448	23	Grille	See Contrast table (2)
9	FFC	CDE9768	24	DVD Mechanism Module (LS2.5)	CXK8100
10	Holder	CND7198	25	
11	Cover	CNN4865	26	Service Unit (Monitor)	CXX7273
12	Sheet	CNN4864	27	Service Unit (Keyboard)	CXX7275
13	Cushion	CNN4273	28	Holder	See Contrast table (2)
14	Cushion	CNN4964	29	Panel	See Contrast table (2)
15	Touch Panel	CSX1234	30	FFC	CDD1069
16	Lighting Conductor	CNW3302	31	FFC	CDD1071
			32	Touch Panel Unit	CXE7987

(2) CONTRAST TABLE

AVH-X2700BS/XNUC, AVH-X2700BT/XNEW5, AVH-X2700BT/XNUW5, AVH-X2750BT/XNRC, AVH-X2750BT/XNRD, AVH-X2750BT/XNRI and AVH-X2790BT/XNID are constructed the same except for the following:

Mark	No.	Description	AVH-X2700BS/ XNUC	AVH-X2700BT/ XNEW5	AVH-X2700BT/ XNUW5	AVH-X2750BT/ XNRC	AVH-X2750BT/ XNRD
	20	Grille Assy	CXE7703	CXE7699	CXE7701	CXE7704	CXE7704
	22	Plate	CNN4858	CNN4858	CNN4856	CNN4856	CNN4856
	23	Grille	CNU2898	CNU2895	CNU2895	CNU2899	CNU2899
	28	Holder	Not used	CND7102	CND7102	Not used	Not used
	29	Panel	Not used	CNU2645	CNU2645	Not used	Not used

Mark	No.	Description	AVH-X2750BT/ XNRI	AVH-X2790BT/ XNID
	20	Grille Assy	CXE7704	CXE7705
	22	Plate	CNN4856	CNN4856
	23	Grille	CNU2899	CNU2900
	28	Holder	CND7102	Not used
	29	Panel	CNU2645	Not used

(1) EXTERIOR (2) SECTION PARTS LIST

<u>Mark No.</u>	<u>Description</u>	<u>Part No.</u>	<u>Mark No.</u>	<u>Description</u>	<u>Part No.</u>
1	Screw	BSZ26P060FTC	11	Screw	BPZ26P080FTC
2	Cord Assy	See Contrast table (2)	12	Screw	BSZ26P060FTC
3		13	FFC	CDE9766
4	Card Remote Control Unit	See Contrast table (2)	14	Holder	See Contrast table (2)
5	Battery Cover	See Contrast table (2)	15	Fuse (10 A)	YEK5001
6	Chassis	CNA3310	16	Service Unit (Mother I/F)	See Contrast table (2)
7	Bracket	CND6985	17	BT Module	YWX5055
8	Bracket	CND6986	18	Shield Case	YNC5123
9				
10				

(2) CONTRAST TABLE

AVH-X2700BS/XNUC, AVH-X2700BT/XNEW5, AVH-X2700BT/XNUW5, AVH-X2750BT/XNRC, AVH-X2750BT/XNRD, AVH-X2750BT/XNRI and AVH-X2790BT/XNID are constructed the same except for the following:

Mark	No.	Description	AVH-X2700BS/ XNUC	AVH-X2700BT/ XNEW5	AVH-X2700BT/ XNUW5	AVH-X2750BT/ XNRC	AVH-X2750BT/ XNRD
	2	Cord Assy	CDP1665	CDP1670	CDP1670	CDP1665	CDP1665
	4	Card Remote Control Unit	CXE5116	Not used	Not used	CXE5116	CXE5116
	5	Battery Cover	CNU1624	Not used	Not used	CNU1624	CNU1624
	14	Holder	CND7203	CND7201	CND7201	CND7201	CND7201
	16	Service Unit (Mother I/F)	CXX7259	CXX7255	CXX7257	CXX7260	CXX7261

Mark	No.	Description	AVH-X2750BT/ XNRI	AVH-X2790BT/ XNID
	2	Cord Assy	CDP1665	CDP1665
	4	Card Remote Control Unit	CXE5116	CXE5116
	5	Battery Cover	CNU1624	CNU1624
	14	Holder	CND7201	CND7201
	16	Service Unit (Mother I/F)	CXX7262	CXX7263

9.4 DVD MECHANISM MODULE (1)

1

2

3

4

A

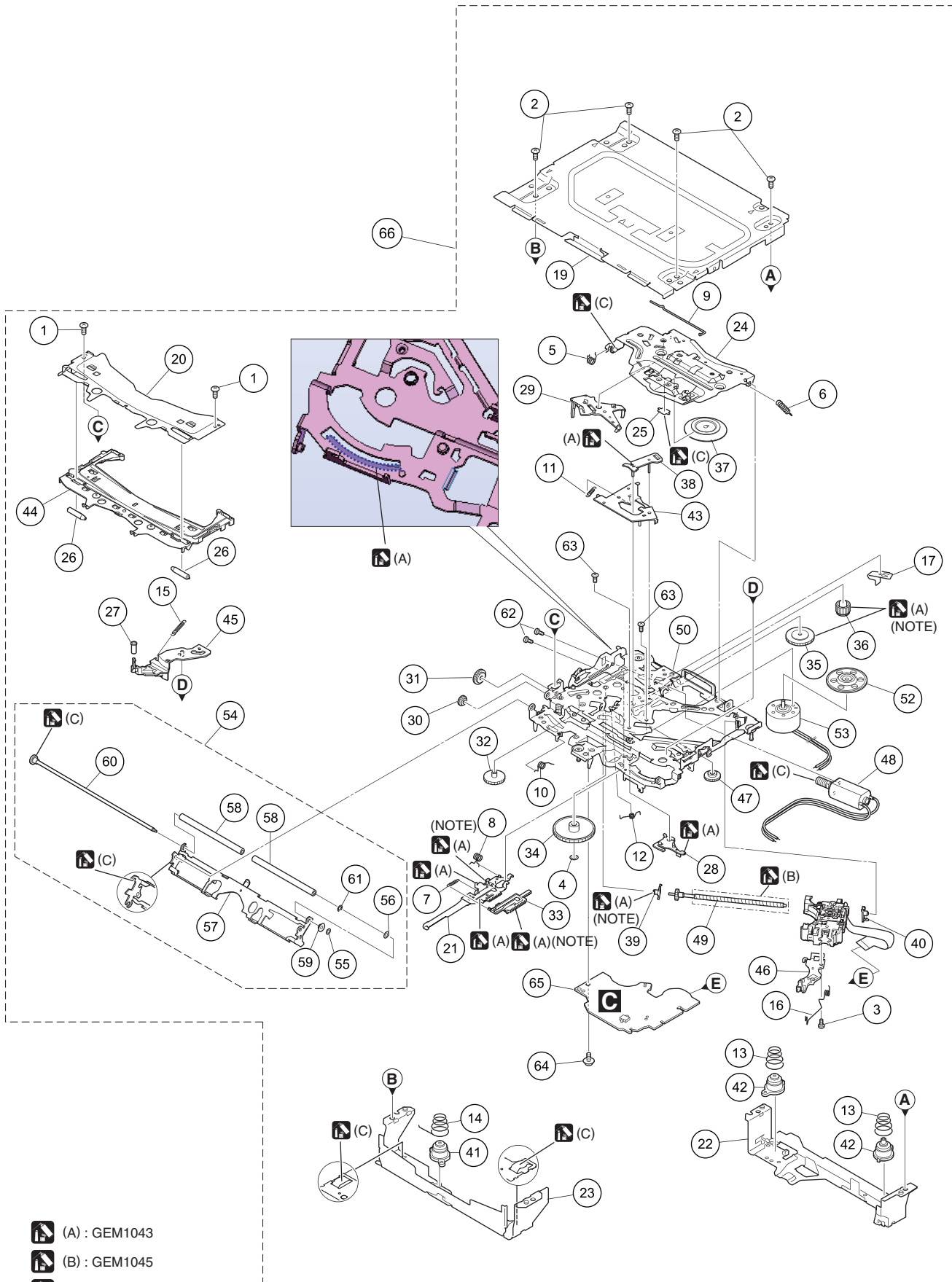
B

C

D

E

F



(NOTE) Apply grease to the whole part.

1

2

3

4

5 6 7 8
DVD MECHANISM MODULE (1) SECTION PARTS LIST

<u>Mark No.</u>	<u>Description</u>	<u>Part No.</u>	<u>Mark No.</u>	<u>Description</u>	<u>Part No.</u>
1	Screw	BSZ20P040FTC	50	Chassis Unit	CXE8407
2	Screw	BSZ26P060FTC			
3	Screw (M2 x 4)	CBA1835	51	
4	Washer	CBF1038	*	52 Support Wheel	CNW2052
5	Spring	CBH2855	*	53 Spindle Motor	EXM2002
				54 Arm Assy	CXE7890
6	Spring	CBH2860		55 Washer	CBF1037
7	Spring	CBH3010			
8	Spring	CBH3011	56	Washer	CBF1038
9	Spring	CBH3014	57	Arm	CND6779
10	Spring	CBH3015	58	Roller	CNW2500
			59	Collar	CNW2444
11	Spring	CBH3016	60	Gear Unit	CXE6225
12	Spring	CBH3017			
13	Spring	CBH3019	61	E Ring	YE15FTC
14	Spring	CBH3086	62	Screw	JFZ20P025FTC
15	Spring	CBH3095	63	Screw	JGZ17P020FTC
			64	Screw (M2 x 5)	EBA1028
16	Spring	CBH3096	65	DVD Core Unit	CWX4609
17	Plate Spring	CBL1824			
18		66	Mechanism Unit(Service)	CXX7126
19	Case	CNB3928	Pickup, Spindle Motor and Support Wheel are not available as service parts, because they need adjustment by special equipment after replacing.		
20	Bracket	CND4553			
21	Lever	CND7225			
22	Bracket	CND5710			
23	Bracket	CND6127			
24	Arm	CND7224			
25	Sheet	CNN3678			
26	Roller	CNW1172			
27	Roller	CNW1175			
28	Arm	CNW1177			
29	Arm	CNW1178			
30	Gear	CNW1180			
31	Gear	CNW1181			
32	Gear	CNW1183			
33	Rack	CNW1184			
34	Gear	CNW1185			
35	Gear	CNW1186			
36	Gear	CNW1187			
37	Clamper	CNW1190			
38	Arm	CNW1192			
39	Holder	CNW1193			
40	Holder	CNW1194			
41	Damper	CNW2439			
42	Damper	CNW2440			
43	Arm	CNW1726			
44	Guide	CNW3489			
45	Arm	CNW2241			
46	Rack	CNW2265			
47	Gear	CNW2287			
48	Motor Unit	CXC4026			
49	Screw Unit	CXC8894			

12. ELECTRICAL PARTS LIST

NOTE:

- Parts whose parts numbers are omitted are subject to being not supplied.
- The part numbers shown below indicate chip components.

Chip Resistor

RS1/○S○○○○J,RS1/○○S○○○○J

Chip Capacitor (except for CQS.....)

CKS....., CCS....., CSZS.....

- The \triangle mark found on some component parts indicates the importance of the safety factor of the part. Therefore, when replacing, be sure to use parts of identical designation.
- Meaning of the figures and others in the parentheses in the parts list.
Example) IC 301 is on the point (face A, 91 of x-axis, and 111 of y-axis) of the corresponding PC board.

IC 301 (A, 91, 111) IC NJM2068V

- The expression of the unit in this manual is shown by μ instead of μ . Please do not make a mistake.

<u>Circuit Symbol and No.</u>	<u>Part No.</u>
A:AVH-X2700BS/XNUC	
B:AVH-X2700BT/XNEW5	
C:AVH-X2700BT/XNUW5	
D:AVH-X2750BT/XNRC	
E:AVH-X2750BT/XNRD	
F:AVH-X2750BT/XNRI	
G:AVH-X2790BT/XNID	
Unit Number : CXX7259(A)	
Unit Number : CXX7255(B)	
Unit Number : CXX7257(C)	
Unit Number : CXX7260(D)	
Unit Number : CXX7261(E)	
Unit Number : CXX7262(F)	
Unit Number : CXX7263(G)	
Unit Name : Service Unit(Mother I/F)	
Unit Number : CXX7273	
Unit Name : Service Unit(Monitor)	
Unit Number : CWX4609	
Unit Name : DVD Core Unit	
Unit Number : CXX7275	
Unit Name : Service Unit(Keyboard)	

Service Unit(Mother I/F)

Consists of

Mother PCB

Interface PCB

<u>Circuit Symbol and No.</u>	<u>Part No.</u>
AD	
Unit Number : CXX7259(A)	
Unit Number : CXX7255(B)	
Unit Number : CXX7257(C)	
Unit Number : CXX7260(D)	
Unit Number : CXX7261(E)	
Unit Number : CXX7262(F)	
Unit Number : CXX7263(G)	
Unit Name : Service Unit(Mother I/F)	

MISCELLANEOUS

IC 101	(B,50,102) Regulator IC	NJW4181U3-33B
IC 111	(A,99,95) Regulator IC	NJW4184DL3-08A
IC 141	(A,124,60) Regulator IC	MM3479A33P
IC 160	(B,168,75) Regulator IC	RP132J001B-AE
IC 231	(B,120,69) Regulator IC	MM1856A50N
IC 241	(B,74,22) Regulator IC	MM3479A18P
IC 271	(B,146,29) Regulator IC	MM1856A58N
IC 301	(B,159,41) IC	AN33012UA
IC 351	(B,155,64) DC/DC CONV IC	KBD9876EFJ
IC 401	(A,49,37) Flash Blank UC IC	MN103LF15RXW
IC 601	(A,91,46) AS IC	MN1AA9010Z
IC 603	(B,151,91) And Logic IC	MC74VHC1GT08DFG
IC 851	(B,104,21) RAM IC	M12L2561616A-5TG2S
IC 871	(B,78,53) Flash Memory IC(A)	MX25L6406EM2I-12G
	(B,78,53)Flash Memory IC(B,C,D,E,F,G)	MX25L1606EM2I-12G
IC 881	(B,78,41) Flash Memory IC	S99-50389P
IC 891	(A,124,54) IC	337S3959
IC 901	(B,110,55) IC	AK8814VQ
IC 931	(B,98,73) IC	NJM2283V
IC 1101	(B,137,50) IC	AK4223VQ
IC 1201	(B,137,79) AUD DSP SYS LSI	PM9014A
IC 1271	(B,113,84) OP AMP IC	NJW1240V
IC 1301	(A,88,121) Power AMP IC	PA2032A
IC 2004	(A,37,60) Regulator IC	MM3479A33P
IC 2201	(A,40,74) Tuner IC	TEF6686HN
IC 2401	(B,160,86) DC/DC CONV IC	AN33014UA

1

2

3

4

Circuit Symbol and No.**Part No.****Circuit Symbol and No.****Part No.**

IC 2501	(A,143,26) Logic IC	TC7SZ32FUS1	D 3103	(A,35,113) Diode	DZ2S180C
IC 3191	(B,155,100) Interface IC	STCC2540IQ	D 3104	(A,32,113) Diode	DZ2S180C
IC 3221	(B,75,71) Comparator IC	TC75S57FU	D 3105	(A,33,108) Diode	DZZJ039M0
IC 3231	(B,83,72) V AMP IC	BH7673G	D 3152	(B,142,100) Diode	DZ2S180C
IC 3232	(B,89,79) V AMP IC	BH7673G	D 3153	(A,150,106) Diode	DZ2S180C
IC 3233	(B,111,69) V AMP IC	BH7673G	D 3154	(A,158,105) Diode	DZ2S180C
IC 3234	(B,98,81) V AMP IC	BH7673G	D 3191	(A,162,101) Diode	EZAEG2A50AX
IC 4001	(B,26,32) IC(A)	TC7SH126FU	D 3192	(A,162,100) Diode	EZAEG2A50AX
IC 4002	(B,22,34) And Logic IC(A)	MC74VHC1GT08DFG	D 4023	(B,54,28) Rectifier Diode(A)	DA2J101
IC 4004	(B,63,37) And Logic IC(A)	MC74VHC1GT08DFG	L 1	(A,60,103) Choke Coil 600 uH	CTH1221
IC 4005	(B,55,32) And Logic IC(A)	MC74VHC1GT08DFG	L 2	(A,158,73) Choke Coil 10 uH	CTH1486
Q 11	(B,72,95) Chip Transistor	HN1C01FU	L 301	(A,166,29) Choke Coil 7 uH	CTH1381
Q 21	(B,59,127) Resistor Built-IN TR	LTC014EEB	L 302	(A,156,28) SMD SPL Inductor	CTH1519
Q 31	(B,64,124) Resistor Built-IN TR	LTC014EEB	L 351	(A,153,58) SMD SPL Inductor	CTH1524
Q 51	(B,40,124) Bipolar TR	LSAR523UB	L 700	(A,76,30) Chip Beads	VTL1126
Q 61	(B,51,127) Bipolar TR	LSAR523UB	L 701	(A,79,28) Chip Beads	VTL1126
Q 301	(A,167,42) Power MOS FET	ATP112-H	L 702	(A,79,26) Chip Beads	VTL1126
Q 302	(A,157,40) Power MOS FET	ATP112-H	L 703	(A,80,28) Chip Beads	VTL1126
Q 401	(A,54,55) Bipolar TR	LSCR523UB	L 704	(A,81,26) Chip Beads	VTL1126
Q 402	(A,30,35) Chip Transistor(D,E,F,G)	RN4982	L 705	(A,81,28) Chip Beads	VTL1126
Q 403	(B,59,54) Chip Transistor(D,E,F,G)	RN4982	L 706	(A,82,26) Chip Beads	VTL1126
Q 404	(B,38,36) Chip Transistor(D,E,F,G)	RN4982	L 707	(A,82,28) Chip Beads	VTL1126
Q 405	(B,64,52) Chip Transistor(D,E,F,G)	RN4982	L 708	(A,83,26) Chip Beads	VTL1126
Q 821	(B,79,66) Bipolar TR	LSCR523UB	L 709	(A,84,28) Chip Beads	VTL1126
Q 892	(A,124,50) Bipolar TR	LSAR523UB	L 710	(A,84,26) Chip Beads	VTL1126
Q 931	(B,93,66) Bipolar TR	LSCR523UB	L 711	(A,85,28) Chip Beads	VTL1126
Q 932	(B,88,69) Bipolar TR	LSCR523UB	L 712	(A,85,26) Chip Beads	VTL1126
Q 933	(B,85,68) Bipolar TR	LSCR523UB	L 713	(A,86,28) Chip Beads	VTL1126
Q 1271	(B,125,85) Resistor Built-IN TR	LTC044EEB	L 714	(A,87,26) Chip Beads	VTL1126
Q 1301	(A,96,108) Chip Transistor	RN1903	L 715	(A,87,28) Chip Beads	VTL1126
Q 1303	(A,89,106) Bipolar TR	LSCR523UB	L 716	(A,88,26) Chip Beads	VTL1126
Q 3051	(B,78,85) Chip Transistor	HN1B04FU	L 717	(A,88,28) Chip Beads	VTL1126
Q 3101	(A,26,108) Chip Transistor	2SD2114K	L 718	(A,89,26) Chip Beads	VTL1126
Q 3102	(A,30,108) Transistor	RN4984	L 720	(A,91,27) Chip Beads	VTL1126
Q 3103	(A,23,107) Transistor	RN4984	L 725	(B,92,28) Chip Beads	VTL1126
D 1	(B,67,104) Diode	D1F60-5053	L 750	(A,110,34) Chip Beads	VTL1128
D 2	(B,67,101) Diode	D1F60-5053	L 851	(B,98,33) Inductor	CTF1786
D 3	(A,156,79) Diode	RB080L-30	L 852	(B,111,24) Chip Beads	VTL1128
D 11	(B,73,98) Diode	DZ2J062M0	L 871	(B,84,50) Inductor	CTF1786
D 12	(B,68,94) Diode	DZ2J068M0	L 881	(B,84,42) Inductor	CTF1786
D 21	(B,59,124) Rectifier Diode	DA2J101	L 882	(B,84,47) Inductor	CTF1740
D 32	(B,66,127) Diode	DZ2J056M0	L 901	(B,118,62) Inductor	ATL7039
D 41	(A,74,116) Diode	CRG03	L 902	(B,108,44) Inductor	ATL7039
D 51	(B,42,122) Rectifier Diode	DA2J101	L 903	(B,104,64) Chip Beads	VTL1126
D 61	(B,50,124) Rectifier Diode	DA2J101	L 904	(A,113,53) Chip Beads	VTL1126
D 101	(B,66,93) Diode	D1F60-5053	L 905	(A,109,53) Chip Beads	VTL1126
D 301	(A,162,39) Diode	RB056L-40	L 906	(A,113,52) Chip Beads	VTL1126
D 302	(A,158,33) Diode	RB056L-40	L 907	(A,109,52) Chip Beads	VTL1126
D 351	(A,154,64) Diode	RB056L-40	L 908	(A,113,51) Chip Beads	VTL1126
D 401	(B,62,49) Schottky Diode	DB2J31400	L 909	(A,109,51) Chip Beads	VTL1126
D 403	(B,59,45) Schottky Diode	DB2J31400	L 910	(A,114,50) Chip Beads	VTL1126
D 1301	(A,81,107) Rectifier Diode	DA2J101	L 911	(A,110,50) Chip Beads	VTL1126
D 1302	(A,92,103) Diode	DZ2J082M0	L 1201	(B,144,80) Ferrite Bead	RS1/16SS0R0J
D 2201	(B,21,102) Diode	EZAEG2A50AX	L 1202	(B,129,80) Ferrite Bead	RS1/16SS0R0J
D 2202	(A,36,91) Diode	EZAEG2A50AX	L 2201	(A,48,63) Inductor	CTF1749
D 2203	(A,35,88) Diode	EZAEG2A50AX	L 2203	(A,32,83) Inductor	LCYC150K1608
D 2401	(B,155,85) Diode	RB060M-30	L 2204	(A,33,89) Inductor	CTF1389
D 2402	(A,154,85) Diode	D1F60-5053	L 2205	(A,39,91) Inductor	LCMAR27J1608
D 3101	(A,22,114) Diode	DZ2S180C	L 2401	(A,160,83) SMD SPL Inductor	CTH1524
D 3102	(A,28,113) Diode	DZ2S180C	L 2402	(B,155,81) Inductor	CTF1793

1

2

3

4

5		6		7		8	
<u>Circuit Symbol and No.</u>		<u>Part No.</u>		<u>Circuit Symbol and No.</u>		<u>Part No.</u>	
L 2503	(A,144,28) Chip Beads	VTL1126		RESISTORS			
L 3051	(A,79,71) Chip Beads(A)	VTL1126		R 11	(B,75,97)	RS1/16SS103J	
L 3052	(A,78,70) Chip Beads(A)	VTL1126		R 12	(B,75,99)	RS1/16SS473J	A
L 3053	(B,75,75) Chip Beads(A)	VTL1126		R 13	(B,72,99)	RS1/16SS472J	
L 3054	(A,77,71) Chip Beads(A)	VTL1126		R 16	(B,70,93)	RS1/16SS104J	
L 3055	(A,76,70) Chip Beads(A)	VTL1126		R 17	(B,70,94)	RS1/16SS473J	
L 3101	(A,22,116) Chip Beads	VTL1126		R 18	(B,55,107)	RS1/4SA102J	
L 3102	(A,32,114) Chip Beads	VTL1126		R 21	(B,57,124)	RS1/16SS103J	
L 3103	(A,34,114) Chip Beads	VTL1126		R 22	(B,62,126)	RS1/16SS472J	
L 3104	(A,27,114) Chip Beads	VTL1126		R 23	(B,56,122)	RS1/4SA102J	
L 3151	(A,157,107) Chip Beads	VTL1126		R 31	(B,63,122)	RS1/4SA102J	
L 3152	(A,163,107) Chip Beads	VTL1126		R 32	(B,68,124)	RS1/16SS103J	
L 3153	(A,151,108) Chip Beads	VTL1126		R 51	(B,38,123)	RS1/16SS102J	
L 3154	(A,148,105) Chip Beads	VTL1126		R 52	(B,38,124)	RS1/16SS473J	B
L 3155	(B,140,102) Chip Beads	VTL1126		R 53	(B,42,124)	RS1/16SS223J	
L 3156	(B,142,103) Chip Beads	VTL1126		R 54	(B,45,124)	RS1/16SS103J	
L 3157	(A,136,107) Chip Beads	VTL1126		R 61	(B,47,124)	RS1/16SS223J	
L 3161	(A,141,106) Chip Beads	VTL1126		R 62	(B,48,123)	RS1/16SS102J	
L 3162	(A,141,105) Chip Beads	VTL1126		R 63	(B,53,127)	RS1/16SS473J	
L 3163	(A,133,105) Chip Beads	VTL1126		R 64	(B,53,124)	RS1/16SS103J	
L 3164	(A,129,106) Chip Beads	VTL1126		R 160	(B,158,78)	RS1/16SS5601D	
L 3165	(A,126,106) Chip Beads	VTL1126		R 161	(B,160,78)	RS1/16SS1202D	
L 3166	(A,122,105) Chip Beads	VTL1126		R 301	(B,150,38)	RS1/16SS561J	
L 3191	(A,160,101) Coil	ATH7015		R 302	(B,150,39)	RS1/16SS3302D	
L 3231	(B,115,75) Inductor	ATL7015		R 303	(B,151,41)	RS1/16SS4301D	C
L 4001	(B,72,31) Chip Beads	VTL1126		R 304	(B,150,41)	RS1/16SS3601D	
L 4002	(B,72,26) Chip Beads	VTL1126		R 305	(B,152,41)	RS1/16SS123J	
L 4003	(B,60,10) Chip Beads	VTL1126		R 306	(B,165,36)	RS1/16SS103J	
L 4004	(B,60,15) Chip Beads	VTL1126		R 308	(B,163,46) 11 mohm	CCN1341	
L 4005	(B,161,46) Chip Beads	VTL1126		R 309	(B,164,35)	RS1/16SS204J	
L 4006	(B,159,43) Chip Beads	VTL1126		R 310	(B,165,35)	RS1/16SS394J	
X 401	(A,49,53) Crystal Resonator 12.500 MHz	CSS1839		R 311	(B,157,46) 12 mohm	CCN1321	
X 601	(A,77,65) Resonator 24 MHz	CSS1773		R 312	(B,153,38)	RS1/16SS224J	
X 2201	(A,49,70) Crystal Resonator 9.216 MHz	CSS1867		R 313	(B,167,40)	RS1/16SS472J	
P 2001	(A,73,86) Poly Switch(A)	FSMD110-24R		R 314	(B,167,37)	RS1/16SS1101D	
P 2201	(B,19,102) Sufge Absorber	IMSA-6803-01Y900		R 315	(B,167,36)	RS1/16SS3000D	D
△ P3051	(A,131,9) Fuse 0.75 A	CEK1380		R 316	(B,167,39)	RS1/16SS1002D	
P 3152	(B,146,99) Poly Switch	FSMD075-24R		R 317	(B,169,39)	RS1/16SS511J	
P 3161	(B,101,104) Poly Switch	FSMD075-24R		R 318	(B,171,37)	RS1/10SR0R0J	
P 4001	(A,102,28) Poly Switch	FSMD075-24R		R 322	(B,165,39)	RS1/16SS473J	
P 4003	(B,81,11) Poly Switch	FSMD075-24R		R 323	(B,165,38)	RS1/16SS473J	
CN2501	(A,150,8) 30P Connector	VKN1620		R 351	(B,152,58)	RS1/16SS4701D	
CN2901	(A,51,9) B TO B Connector	CKS6346		R 352	(B,152,59)	RS1/16SS4702D	
CN3051	(A,89,76) FFC/FPC Connector	CKS6645		R 353	(B,151,61)	RS1/16SS2202D	
CN3202	(A,113,10) FFC/FPC Connector	CKS6646		R 354	(B,155,59)	RS1/16SS332J	
CN4001	(A,145,25) Connector	CKS4497		R 359	(A,150,50)	RS1/8SQ0R0J	
CN4002	(A,30,16) Connector(A)	CKS6603		R 360	(B,154,55)	RS1/8SQ331J	E
CN4004	(B,87,45) FFC/FPC Connector	CKS6605		R 401	(A,63,52)	RS1/16SS472J	
JA 1	(A,54,121) Connector	CKM1613		R 402	(A,61,49)	RS1/16SS102J	
JA2201	(A,13,116) Antenna Jack	YKS5041		R 403	(B,61,50)	RS1/16SS103J	
JA3101	(A,29,131) 3.5 DIA Jack	CKN1106		R 405	(A,59,51)	RS1/16SS471J	
JA3151	(A,149,112) RCA Jack	CKB1110		R 406	(A,58,53)	RS1/16SS473J	
JA3161	(A,121,111) RCA Jack	CKB1113		R 407	(A,58,51)	RS1/16SS471J	
JA3191	(A,167,98) Connector	CKN1097		R 408	(A,57,53)	RS1/16SS473J	
JA4001	(A,52,15) Jack	CKN1101		R 411	(B,53,48)	RS1/16SS472J	
JA4002	(A,15,12) Connector(A)	CKS6495		R 412	(B,52,48)	RS1/16SS472J	
JA4003	(A,41,14) 3.5 DIA Jack	CKS6437		R 413	(A,55,51)	RS1/16SS473J	F
JA4004	(A,163,33) RCA Jack	CKB1106		R 414	(A,54,58)	RS1/16SS473J	
VL2201	(A,39,84) Variable Coil	CTC1216		R 415	(A,54,51)	RS1/16SS473J	

1

Circuit Symbol and No.

2

Part No.

3

Circuit Symbol and No.

4

Part No.

	R 417	(A,53,52)	RS1/16SS104J	R 513	(A,63,45)	RS1/16SS471J
	R 418	(B,51,48)	RS1/16SS102J	R 514	(A,65,41)	RS1/16SS472J
	R 419	(A,49,50)	RS1/16SS0R0J	R 515	(A,64,46)	RS1/16SS221J
A	R 420	(B,43,52)	RS1/16SS102J	R 518	(A,37,47)	RS1/16SS0R0J
	R 421	(A,43,56)	RS1/16SS104J	R 519	(B,62,52) (D,E,F,G)	RS1/16SS6800D
	R 422	(A,41,50)	RS1/16SS473J	R 524	(B,63,55) (D,E,F,G)	RS1/16SS8201D
	R 423	(A,40,52)	RS1/16SS473J	R 525	(B,36,34) (D,E,F,G)	RS1/16SS8201D
	R 424	(A,39,52)	RS1/16SS121J	R 526	(B,60,52) (A,B,C) (B,60,52) (D,E,F,G)	RS1/16SS102J RS1/16SS1001D
	R 425	(A,38,52)	RS1/16SS104J	R 602	(A,112,27)	RS1/10SR0R0J
	R 426	(A,37,52)	RS1/16SS121J	R 603	(A,106,61)	RS1/16SS473J
	R 430	(A,35,44)	RS1/16SS102J	R 605	(A,108,61)	RS1/16SS473J
	R 431	(A,35,46)	RS1/16SS473J	R 614	(A,98,64) (A)	RS1/16SS0R0J
	R 435	(B,40,41)	RS1/16SS682J	R 615	(A,97,64) (A)	RS1/16SS0R0J
B	R 437	(B,38,41)	RS1/16SS0R0J	R 616	(A,96,64)	RS1/16SS473J
	R 441	(A,35,40)	RS1/16SS0R0J	R 619	(B,84,60)	RS1/16SS0R0J
	R 447	(A,35,36) (A,B,C) (A,35,36) (D,E,F,G)	RS1/16SS102J RS1/16SS1001D	R 620	(A,90,65)	RS1/16SS1R0J
	R 448	(A,33,36) (D,E,F,G)	RS1/16SS6800D	R 621	(B,83,60)	RS1/16SS1R0J
	R 453	(A,36,32)	RS1/16SS101J	R 622	(B,84,61)	RS1/16SS0R0J
	R 457	(A,39,24)	RS1/16SS822J	R 623	(B,83,61)	RS1/16SS0R0J
	R 458	(A,40,24)	RS1/16SS471J	R 625	(B,81,61)	RS1/16SS473J
	R 460	(A,44,24)	RS1/16SS473J	R 627	(B,78,64)	RS1/16SS473J
	R 463	(B,43,29)	RS1/16SS104J	R 628	(B,76,62)	RS1/16SS0R0J
	R 464	(B,43,28)	RS1/16SS473J	R 629	(A,78,63)	RS1/16SS105J
C	R 465	(A,47,24)	RS1/16SS473J	R 630	(A,80,64)	RS1/16SS102J
	R 466	(A,36,39)	RS1/16SS222J	R 631	(B,72,61)	RS1/16SS102J
	R 468	(B,50,23)	RS1/16SS473J	R 632	(A,73,59)	RS1/16SS0R0J
	R 471	(A,52,24)	RS1/16SS221J	R 633	(A,76,60)	RS1/16SS0R0J
	R 472	(A,53,24)	RS1/16SS221J	R 636	(B,72,59)	RS1/16SS104J
	R 474	(A,55,24)	RS1/16SS221J	R 637	(B,76,60)	RS1/16SS473J
	R 475	(A,56,24)	RS1/16SS221J	R 639	(B,76,58)	RS1/16SS473J
	R 476	(A,57,22)	RS1/16SS221J	R 641	(B,80,59)	RS1/16SS103J
	R 477	(B,57,26)	RS1/16SS104J	R 642	(B,80,58)	RS1/16SS103J
	R 478	(A,57,24)	RS1/16SS221J	R 643	(A,72,53)	RS1/16SS4701D
	R 479	(A,58,22)	RS1/16SS104J	R 644	(A,72,54)	RS1/16SS1201D
D	R 480	(A,66,23) (F,G)	RS1/16SS104J	R 645	(A,74,54)	RS1/16SS0R0J
	R 481	(A,64,23) (B,C,D,E)	RS1/16SS104J	R 646	(A,73,52)	RS1/16SS0R0J
	R 482	(A,66,24) (D,E)	RS1/16SS104J	R 647	(A,68,61) (A)	RS1/16SS0R0J
	R 483	(A,64,24) (B,C,F,G)	RS1/16SS104J	R 648	(A,67,61) (A)	RS1/16SS0R0J
	R 484	(A,66,26) (C,E,G)	RS1/16SS104J	R 651	(A,72,49)	RS1/16SS0R0J
	R 485	(A,64,26) (B,D,F)	RS1/16SS104J	R 653	(B,69,50)	RS1/16SS101J
	R 486	(A,66,27)	RS1/16SS104J	R 654	(B,70,49)	RS1/16SS101J
	R 488	(A,66,29)	RS1/16SS104J	R 660	(B,91,32) (A)	RS1/16SS473J
	R 493	(B,57,32)	RS1/16SS103J	R 685	(A,112,32)	RS1/10SR0R0J
	R 494	(B,60,32)	RS1/16SS221J	R 686	(B,154,91)	RS1/16SS473J
	R 495	(A,64,33)	RS1/16SS104J	R 687	(B,151,93)	RS1/16SS103J
E	R 496	(B,57,33)	RS1/16SS103J	R 688	(B,153,93)	RS1/16SS473J
	R 497	(B,60,33)	RS1/16SS221J	R 700	(A,97,66) (A)	RS1/16SS473J
	R 499	(B,57,34)	RS1/16SS104J	R 701	(A,76,27)	RS1/16SS560J
	R 500	(B,57,35)	RS1/16SS104J	R 703	(A,78,28)	RS1/16SS473J
	R 501	(A,64,35)	RS1/16SS101J	R 704	(A,79,24)	RS1/16SS390J
	R 502	(A,65,36)	RS1/16SS221J	R 705	(A,79,23)	RS1/16SS390J
	R 503	(A,64,36)	RS1/16SS221J	R 706	(A,80,24)	RS1/16SS390J
	R 504	(A,65,37)	RS1/16SS221J	R 707	(A,81,23)	RS1/16SS390J
	R 505	(B,60,38)	RS1/16SS104J	R 708	(A,81,24)	RS1/16SS390J
	R 506	(B,53,30)	RS1/16SS0R0J	R 709	(A,82,23)	RS1/16SS390J
F	R 508	(B,59,46)	RS1/16SS103J	R 710	(A,82,24)	RS1/16SS390J
	R 510	(A,61,26)	RS1/16SS473J	R 711	(A,83,23)	RS1/16SS390J
	R 511	(A,64,44)	RS1/16SS471J	R 712	(A,84,24)	RS1/16SS390J
	R 512	(A,65,42)	RS1/16SS472J	R 713	(A,84,23)	RS1/16SS390J
				R 714	(A,85,24)	RS1/16SS390J

1

2

3

4

5		6		7		8	
<u>Circuit Symbol and No.</u>		<u>Part No.</u>		<u>Circuit Symbol and No.</u>		<u>Part No.</u>	
R 715	(A,85,23)	RS1/16SS390J		R 895	(A,127,54)	RS1/16SS222J	
R 716	(A,86,24)	RS1/16SS390J		R 896	(A,121,55)	RS1/16SS222J	
R 717	(A,87,23)	RS1/16SS390J		R 897	(A,114,56)	RS1/16SS220J	
				R 898	(A,120,53)	RS1/16SS222J	A
R 718	(A,87,24)	RS1/16SS390J		R 902	(B,106,64)	RS1/16SS820J	
R 719	(A,88,23)	RS1/16SS390J		R 904	(B,114,61)	RS1/16SS103J	
R 720	(A,88,24)	RS1/16SS390J		R 906	(A,115,53)	RS1/16SS561J	
R 721	(A,89,23)	RS1/16SS390J		R 908	(A,111,53)	RS1/16SS561J	
R 726	(B,92,30)	RS1/16SS101J		R 910	(A,115,52)	RS1/16SS561J	
R 727	(B,94,31)	RS1/16SS0R0J		R 912	(A,111,52)	RS1/16SS561J	
R 730	(A,91,25)	RS1/16SS151J		R 914	(A,115,51)	RS1/16SS561J	
R 736	(A,107,31)	RS1/16SS472J		R 916	(A,111,51)	RS1/16SS561J	
R 739	(A,112,34)	RS1/16SS330J		R 918	(A,115,50)	RS1/16SS561J	
R 792	(A,111,35) (A,D,F,G) (A,111,35) (B,C)	RS1/16SS150J RS1/16SS330J		R 920	(A,112,50)	RS1/16SS561J	
R 793	(A,107,32)	RS1/16SS472J		R 921	(B,113,48)	RS1/16SS103J	B
R 794	(A,109,32)	RS1/16SS472J		R 922	(B,113,47)	RS1/16SS271J	
R 795	(B,104,38)	RS1/16SS472J		R 923	(B,112,48)	RS1/16SS271J	
R 797	(B,105,40)	RS1/16SS472J		R 924	(B,110,47)	RS1/16SS181J	
R 798	(B,105,41)	RS1/16SS472J		R 925	(B,111,48)	RS1/16SS103J	
R 803	(A,116,45)	RS1/16SS103J		R 926	(B,112,46)	RS1/16SS103J	
R 805	(A,112,44)	RS1/16SS473J		R 930	(B,106,47)	RS1/10SR0R0J	
R 806	(A,113,47)	RS1/16SS473J		R 931	(B,104,53)	RS1/16SS6801D	
R 813	(A,109,57)	RS1/16SS472J		R 932	(B,111,61)	RS1/16SS104J	
R 814	(A,109,58)	RS1/16SS0R0J		R 933	(B,112,61)	RS1/16SS104J	
R 815	(A,112,58)	RS1/16SS473J		R 934	(B,104,45)	RS1/16SS0R0J	C
R 816	(A,111,58)	RS1/16SS0R0J		R 935	(B,92,78)	RS1/16SS0R0J	
R 821	(B,81,64)	RS1/16SS103J		R 938	(B,93,69)	RS1/16SS0R0J	
R 822	(B,77,66)	RS1/16SS0R0J		R 941	(B,92,65)	RS1/16SS471J	
R 823	(B,75,66)	RS1/16SS104J		R 944	(B,89,67)	RS1/16SS471J	
R 824	(B,76,66)	RS1/16SS153J		R 947	(B,82,69)	RS1/16SS471J	
R 825	(B,79,68)	RS1/16SS471J		R 948	(B,90,72)	RS1/16SS104J	
R 827	(A,112,48)	RS1/16SS0R0J		R 949	(B,94,76)	RS1/16SS104J	
R 828	(A,110,48)	RS1/16SS0R0J		R 950	(B,90,65)	RS1/16SS0R0J	
R 841	(A,111,82)	RAB4CQ103J		R 951	(B,86,67)	RS1/16SS0R0J	
R 851	(B,95,15)	RAB4CQ101J		R 952	(B,84,66)	RS1/16SS0R0J	
R 852	(B,95,18)	RAB4CQ101J		R 953	(B,99,78)	RS1/16SS104J	D
R 853	(B,105,34)	RAB4CQ181J		R 960	(B,117,65)	RS1/16SS0R0J	
R 854	(B,102,34)	RAB4CQ181J		R 970	(B,114,44)	RS1/16SS222J	
R 855	(B,100,34)	RAB4CQ181J		R 971	(B,113,44)	RS1/16SS222J	
R 856	(B,113,14)	RAB4CQ101J		R 1113	(B,139,39)	RS1/16SS75R0D	
R 857	(B,113,19)	RAB4CQ101J		R 1114	(B,137,40)	RS1/16SS104J	
R 858	(B,112,22)	RS1/16SS121J		R 1115	(B,135,39)	RS1/16SS75R0D	
R 859	(B,113,28)	RS1/16SS181J		R 1116	(B,133,41)	RS1/16SS2200D	
R 860	(B,112,28)	RS1/16SS181J		R 1117	(B,126,46)	RS1/16SS0R0J	
R 861	(B,97,23)	RS1/16SS101J		R 1118	(B,131,46)	RS1/16SS75R0D	
R 862	(B,114,34)	RAB4CQ181J		R 1119	(B,136,40)	RS1/16SS101J	
R 863	(B,111,34)	RAB4CQ181J		R 1120	(B,135,40)	RS1/16SS101J	E
R 872	(B,76,49)	RS1/16SS0R0J		R 1122	(B,140,40)	RS1/16SS101J	
R 873	(B,77,49)	RS1/16SS0R0J		R 1123	(B,139,40)	RS1/16SS101J	
R 877	(B,83,53)	RS1/16SS101J		R 1124	(B,142,40)	RS1/16SS101J	
R 878	(B,83,55)	RS1/16SS101J		R 1125	(B,141,40)	RS1/16SS101J	
R 882	(B,84,37)	RS1/16SS101J		R 1131	(B,146,57)	RS1/16SS101J	
R 883	(B,80,34)	RS1/16SS0R0J		R 1132	(B,144,57)	RS1/16SS101J	
R 884	(B,75,34)	RS1/16SS101J		R 1133	(B,143,57)	RS1/16SS101J	
R 885	(B,74,34)	RS1/16SS101J		R 1134	(B,134,60)	RS1/16SS101J	
R 886	(B,82,47)	RS1/16SS271J		R 1135	(B,133,60)	RS1/16SS101J	
R 887	(B,84,45)	RS1/16SS101J		R 1136	(B,132,60)	RS1/16SS101J	
R 888	(B,75,47)	RS1/16SS101J		R 1141	(B,143,39) (C,D,E,F)	RS1/16SS0R0J	F
R 892	(A,128,52)	RS1/16SS473J		R 1142	(B,134,39)	RS1/10SR0R0J	
				R 1143	(B,131,45)	RS1/16SS470J	
R 893	(A,124,52)	RS1/16SS183J		R 1144	(B,144,44) (C,D,E,F)	RS1/16SS104J	

	1	2	3	4
	<u>Circuit Symbol and No.</u>	<u>Part No.</u>	<u>Circuit Symbol and No.</u>	<u>Part No.</u>
	R 1145 (B,145,44) (C,D,E,F)	RS1/16SS101J	R 2516 (B,147,15)	RS1/10SR0R0J
A	R 1148 (B,141,44) (A,B,G)	RS1/16SS0R0J	R 2901 (A,63,16)	RS1/16SS102J
	R 1149 (B,143,47) (A,B,G)	RS1/16SS0R0J	R 2906 (A,69,16)	RS1/16SS101J
	R 1214 (B,135,96)	RS1/16SS0R0J	R 2908 (B,47,11)	RS1/16SS102J
	R 1228 (B,140,69)	RS1/16SS0R0J	R 2912 (A,55,15)	RS1/16SS271J
	R 1232 (B,134,96)	RS1/16SS0R0J	R 2913 (A,55,16)	RS1/16SS271J
R 1236 (A,127,84)	RS1/10SR0R0J	R 2915 (A,55,17)	RS1/16SS271J	
R 1271 (B,124,83)	RS1/16SS103J	R 2917 (A,49,16)	RS1/16SS0R0J	
R 1272 (B,119,80)	RS1/16SS684J	R 2918 (A,46,16)	RS1/16SS222J	
R 1286 (B,119,82)	RS1/16SS100J	R 2919 (A,48,18)	RS1/16SS0R0J	
R 1287 (B,119,85)	RS1/16SS102J	R 2920 (A,44,16)	RS1/16SS102J	
R 1301 (A,96,110)	RS1/16SS683J	R 2921 (A,43,16)	RS1/16SS102J	
R 1302 (A,98,110)	RS1/16SS683J	R 3058 (B,80,87)	RS1/16SS562J	
R 1303 (A,97,112)	RS1/16SS152J	R 3059 (B,78,87)	RS1/16SS332J	
R 1304 (A,97,113)	RS1/16SS101J	R 3060 (B,78,83)	RS1/16SS103J	
R 1306 (A,74,111)	RS1/16SS103J	R 3061 (B,76,83)	RS1/16SS103J	
R 1308 (A,92,101)	RS1/16SS103J	R 3062 (B,80,85)	RS1/10SR222J	
R 1309 (A,87,106)	RS1/16SS104J	R 3118 (A,30,111)	RS1/16SS223J	
R 1310 (A,86,107)	RS1/16SS473J	R 3119 (A,31,111)	RS1/16SS223J	
R 1314 (A,81,110)	RS1/16SS473J	R 3126 (A,30,110)	RS1/16SS103J	
R 1315 (A,81,112)	RS1/16SS102J	R 3127 (A,32,106)	RS1/16SS122J	
R 1316 (A,76,111)	RS1/16SS0R0J	R 3128 (A,28,108)	RS1/16SS152J	
R 2009 (B,34,41)	RS1/16SS102J	R 3129 (A,23,110)	RS1/16SS0R0J	
R 2015 (A,69,85) (A)	RS1/4SA0R0J	R 3152 (A,148,107)	RS1/16SS223J	
R 2204 (A,45,72)	RS1/16SS103J	R 3153 (A,147,106)	RS1/16SS223J	
R 2206 (A,44,72)	RS1/16SS103J	R 3162 (A,144,104)	RS1/16SS223J	
R 2207 (A,44,68)	RS1/16SS472J	R 3164 (A,142,104)	RS1/16SS223J	
R 2208 (A,43,66)	RS1/16SS472J	R 3168 (A,135,103)	RS1/16SS223J	
R 2209 (A,43,70)	RS1/16SS101J	R 3171 (A,133,103)	RS1/16SS223J	
R 2210 (A,42,70)	RS1/16SS101J	R 3174 (A,125,103)	RS1/16SS223J	
R 2212 (A,30,83)	RS1/16SS391J	R 3177 (A,124,103)	RS1/16SS223J	
R 2213 (B,22,102)	RS1/16SS105J	R 3193 (B,154,104)	RS1/16SS103J	
R 2214 (A,29,89)	RS1/16SS105J	R 3194 (B,155,98)	RS1/16SS2402D	
R 2242 (A,47,74)	RS1/16SS0R0J	R 3195 (B,152,102)	RS1/16SS102J	
R 2243 (A,40,79)	RS1/16SS0R0J	R 3196 (B,158,103)	RS1/16SS103J	
R 2244 (A,39,79)	RS1/16SS0R0J	R 3197 (B,155,104)	RS1/16SS103J	
R 2246 (A,81,65)	RS1/10SR0R0J	R 3221 (B,73,73)	RS1/16SS0R0J	
R 2247 (B,81,7)	RS1/10SR0R0J	R 3222 (B,79,71)	RS1/16SS271J	
R 2401 (B,165,91)	RS1/16SS752J	R 3223 (B,78,70)	RS1/16SS684J	
R 2402 (B,158,96)	RS1/16SS102J	R 3224 (B,75,73)	RS1/16SS1802D	
R 2403 (B,159,96)	RS1/16SS102J	R 3225 (B,78,72)	RS1/16SS1302D	
R 2404 (B,156,96)	RS1/16SS102J	R 3226 (B,72,70)	RS1/16SS682J	
R 2405 (B,163,80)	RS1/16SS224J	R 3227 (B,72,71)	RS1/16SS103J	
R 2406 (B,160,80)	RS1/16SS1202D	R 3229 (A,72,46)	RS1/16SS0R0J	
R 2407 (B,162,93)	RS1/16SS152J	R 3231 (B,98,79)	RS1/16SS101J	
R 2408 (B,161,93)	RS1/16SS3302D	R 3232 (B,107,67)	RS1/16SS101J	
R 2409 (B,165,92)	RS1/16SS8201D	R 3233 (B,91,76)	RS1/16SS101J	
R 2410 (B,157,96)	RS1/16SS102J	R 4008 (A,94,27)	RAB4CQ750J	
R 2413 (B,167,87)	RS1/16SS394J	R 4009 (B,128,38)	RS1/16SS223J	
R 2414 (B,166,87)	RS1/16SS204J	R 4010 (B,127,37)	RS1/16SS223J	
R 2416 (B,160,81)	RS1/16SS0R0J	R 4011 (B,124,38)	RS1/16SS562J	
R 2420 (B,167,86)	RS1/16SS104J	R 4012 (B,153,20)	RS1/16SS102J	
R 2421 (A,170,84) 0.039 ohm	CCN1325	R 4013 (B,148,20)	RS1/16SS102J	
R 2505 (A,157,14)	RS1/16SS471J	R 4014 (B,146,20)	RS1/16SS471J	
R 2506 (A,156,12)	RS1/16SS221J	R 4015 (B,140,20)	RS1/16SS471J	
R 2507 (A,155,12)	RS1/16SS221J	R 4019 (B,125,40)	RS1/16SS272J	
R 2508 (A,154,16)	RS1/16SS221J	R 4020 (B,123,40)	RS1/16SS272J	
R 2509 (A,153,15)	RS1/16SS221J	R 4033 (B,46,28) (A)	RS1/16SS471J	
R 2510 (A,152,12)	RS1/16SS221J	R 4034 (B,43,28) (A)	RS1/16SS223J	
R 2511 (A,144,30)	RS1/10SR121J	R 4035 (B,44,27) (A)	RS1/16SS223J	

5		6		7		8	
<u>Circuit Symbol and No.</u>		<u>Part No.</u>		<u>Circuit Symbol and No.</u>		<u>Part No.</u>	
R 4036	(B,42,29) (A)	RS1/16SS181J		C 301	(B,151,39)	CCSSCH471J50	
R 4037	(B,42,27) (A)	RS1/16SS181J		C 302	(B,152,42)	CKSSYB103K16	
R 4038	(B,7,30) (A)	RS1/10SR822J		C 303	(B,154,41)	CCSSCH8R0D50	
R 4039	(B,20,31) (A)	RS1/10SR471J		C 304	(B,165,40)	CCSSCH8R0D50	A
R 4045	(B,7,28) (A)	RS1/16SS104J		C 305	(B,167,41)	CKSSYB103K16	
R 4048	(B,156,45)	RS1/16SS75R0D		C 306	(B,167,38)	CCSSCH102J50	
R 4054	(B,67,38) (A)	RS1/16SS101J		C 307	(B,164,31)	CKSSYB102K50	
R 4055	(B,61,33) (A)	RS1/16SS103J		C 308	(B,164,32)	CKSSYB104K10	
R 4058	(B,51,26) (A)	RS1/16SS104J		C 309	(B,163,27) 10 uF	CCG1236	
R 4059	(B,30,24) (A)	RS1/16SS0R0J		C 310	(B,163,29) 10 uF	CCG1236	
R 4060	(B,31,20) (A)	RS1/16SS0R0J		C 311	(B,163,24) 47 uF	CCG1229	
R 4061	(B,30,25) (A)	RS1/16SS102J		C 316	(B,165,37)	CKSSYB104K10	
R 4062	(B,33,20) (A)	RS1/16SS102J		C 319	(B,165,42)	CKSSYB104K16	
R 4064	(B,17,38) (A)	RS1/16SS471J		C 320	(B,151,43)	CKSSYB104K16	B
R 4065	(B,142,26)	RS1/16SS103J		C 321	(B,153,37)	CKSSYB104K10	
				C 322	(B,152,39)	CKSRYB105K10	
				C 324	(B,156,27) 47 uF	CCG1229	
				C 325	(B,157,30) 10 uF	CCG1192	
				C 326	(B,157,32) 10 uF	CCG1192	
				C 327	(B,158,33)	CKSSYB104K10	
				C 328	(B,158,34)	CKSSYB102K50	
				C 330	(B,161,46)	CKSRYB473K50	
				C 331	(B,159,46)	CKSSYB102K50	
				C 334	(B,159,49) 10 uF	CCG1236	
				C 351	(A,159,51)	CEVW470M16	C
				C 352	(A,153,52)	CKSSYB103K16	
				C 353	(A,153,53) 10 uF	CCG1192	
				C 356	(B,154,59)	CKSSYB682K25	
				C 357	(B,158,60)	CKSSYB103K16	
				C 358	(B,160,69) 10 uF	CCG1236	
				C 359	(B,156,70)	CKSRYB103K50	
				C 401	(A,52,53)	CCSSCH100D50	
				C 402	(A,47,50)	CCSSCH120J50	
				C 403	(A,45,53)	CKSRYB105K10	
				C 404	(A,45,52)	CKSSYB104K10	
				C 405	(A,42,53)	CKSRYB105K10	D
				C 406	(A,43,52)	CKSSYB104K10	
				C 407	(A,44,50)	CKSSYB102K50	
				C 408	(A,35,45)	CKSSYB104K10	
				C 409	(A,37,29)	CKSSYB104K10	
				C 410	(A,35,29)	CKSRYB105K10	
				C 414	(A,50,25)	CKSSYB104K10	
				C 415	(A,49,23)	CKSRYB105K10	
				C 419	(A,63,50) 0.1 uF	CCG1321	
				C 420	(A,65,51)	CKSSYB103K16	
				C 421	(A,64,51)	CCSSCH102J50	
				C 422	(A,62,43)	CKSSYB104K10	E
				C 423	(A,63,42)	CKSRYB105K10	
				C 424	(B,58,42)	CKSSYB104K10	
				C 425	(A,62,48)	CKSSYB104K10	
				C 427	(A,62,53)	CKSSYB104K10	
				C 429	(A,65,43)	CKSSYB104K10	
				C 430	(A,65,45)	CKSSYB104K10	
				C 432	(A,63,39)	CKSSYB104K10	
				C 433	(B,58,41)	CKSSYB104K10	
				C 436	(A,62,37)	CCSSCH471J50	
				C 601	(A,102,63)	CKSSYB104K10	F
				C 602	(A,101,64)	CKSRYB104K16	
				C 603	(A,97,62)	CKSSYB104K10	
				C 604	(A,96,63)	CKSSYB104K10	

CAPACITORS

	1	2	3	4
	<u>Circuit Symbol and No.</u>	<u>Part No.</u>	<u>Circuit Symbol and No.</u>	<u>Part No.</u>
	C 605 (A,93,62)	CKSSYB104K10	C 677 (B,84,22)	CCSSCH560J50
	C 606 (A,91,65)	CKSSYB104K10	C 678 (B,86,16)	CCSSCH560J50
	C 607 (A,90,67)	CKSRYB105K10	C 679 (B,85,16)	CCSSCH560J50
A	C 608 (B,84,58)	CKSSYB104K10	C 680 (B,90,24)	CCSSCH560J50
	C 609 (B,82,58)	CKSRYB105K10	C 681 (B,89,23)	CCSSCH560J50
	C 610 (B,83,64)	CKSSYB104K10	C 682 (B,91,18)	CCSSCH560J50
	C 611 (B,82,64)	CKSSYB104K10	C 683 (B,91,23)	CCSSCH560J50
	C 612 (B,78,63)	CKSSYB104K10	C 684 (B,90,17)	CCSSCH560J50
	C 613 (A,80,66)	CCSSCH120J50	C 685 (B,87,22)	CCSSCH560J50
	C 614 (A,74,64)	CCSSCH100D50	C 700 (A,109,33)	CCSSCH8R0D50
	C 616 (B,72,60)	CKSSYB104K10	C 821 (B,75,65) 10 uF	CCG1192
	C 617 (A,74,60)	CKSSYB104K10	C 823 (A,84,65)	CKSRYB105K10
	C 618 (B,79,58)	CKSSYB104K10	C 824 (A,83,68)	CKSRYB105K10
B	C 619 (B,77,56) 1 uF	DCH1246	C 851 (B,96,11)	CKSSYB104K10
	C 620 (A,75,53) 1 uF	DCH1246	C 852 (B,96,13)	CKSSYB104K10
	C 621 (A,74,52)	CKSSYB104K10	C 853 (B,95,21)	CKSSYB104K10
	C 622 (A,75,51)	CKSSYB104K10	C 854 (B,97,20)	CKSSYB104K10
	C 624 (A,73,48)	CKSSYB104K10	C 855 (B,97,31)	CKSSYB104K10
	C 625 (A,75,47)	CKSSYB104K10	C 856 (B,111,20)	CKSSYB104K10
	C 626 (A,74,42)	CKSSYB104K10	C 857 (B,111,15)	CKSSYB104K10
	C 627 (A,75,42)	CKSSYB104K10	C 858 (B,113,23)	CCSSCH8R0D50
	C 628 (A,75,36)	CKSSYB104K10	C 871 (B,83,50)	CKSSYB104K10
	C 629 (A,74,35)	CKSSYB104K10	C 882 (B,84,40)	CKSSYB104K10
C	C 631 (B,81,31)	CKSRYB104K16	C 891 (A,121,50)	CKSSYB104K10
	C 632 (B,84,31)	CKSSYB104K10	C 892 (A,122,52)	CKSSYB104K10
	C 633 (B,86,31)	CKSRYB104K16	C 893 (A,121,53)	CKSSYB103K16
	C 634 (B,89,31)	CKSRYB104K16	C 901 (B,109,61)	CCSSCH560J50
	C 635 (A,93,29)	CKSRYB104K16	C 902 (B,116,61) 10 uF	CCG1192
	C 636 (A,98,27)	CKSSYB104K10	C 903 (B,115,55)	CKSSYB104K10
	C 637 (A,98,29)	CKSRYB104K16	C 904 (B,108,49)	CKSSYB103K16
	C 638 (A,101,29)	CKSRYB104K16	C 905 (B,104,51)	CKSSYB103K16
	C 639 (A,108,34)	CKSRYB104K16	C 906 (B,104,49) 10 uF	CCG1192
	C 641 (A,108,37)	CKSRYB104K16	C 907 (B,106,50)	CKSSYB103K16
	C 642 (A,109,40)	CKSRYB104K16	C 908 (B,105,44) 10 uF	CCG1192
	C 643 (A,108,41)	CKSSYB104K10	C 909 (B,104,55)	CKSSYB103K16
D	C 644 (A,108,42)	CKSRYB104K16	C 910 (B,111,62)	CKSSYB104K10
	C 645 (A,108,45)	CKSRYB104K16	C 912 (B,109,60)	CKSSYB104K10
	C 646 (A,109,49)	CKSSYB104K10	C 931 (B,95,79) 10 uF	CCG1192
	C 647 (A,108,50)	CKSSYB104K10	C 932 (B,104,67) 10 uF	CCG1192
	C 648 (A,107,53)	CKSSYB104K10	C 933 (B,90,74) 10 uF	CCG1192
	C 649 (A,107,59)	CKSSYB104K10	C 934 (B,93,71) 10 uF	CCG1192
	C 651 (B,87,34) 0.1 uF	CCG1321	C 935 (B,95,77) 10 uF	CCG1192
	C 652 (B,92,32)	CCSSCH330J50	C 936 (B,101,77) 10 uF	CCG1192
	C 653 (A,75,26)	CCSSCH330J50	C 937 (B,100,66)	CKSSYB103K16
	C 654 (B,151,95)	CKSRYB105K10	C 938 (A,88,64)	CKSRYB105K10
	C 655 (B,151,88)	CKSSYB104K10	C 939 (A,88,68)	CKSRYB105K10
E	C 656 (A,108,25)	CCSRCH102J50	C 940 (A,87,64)	CKSRYB105K10
	C 657 (A,108,28) 0.1 uF	CCG1321	C 941 (A,86,68)	CKSRYB105K10
	C 658 (A,109,28)	CCSRCH102J50	C 942 (A,85,64)	CKSRYB105K10
	C 661 (A,111,30) 10 uF	DCH1201	C 943 (A,85,68)	CKSRYB105K10
	C 664 (A,111,25) 10 uF	DCH1201	C 944 (A,118,65)	CEVW470M16
	C 668 (B,84,17)	CCSSCH560J50	C 1101 (B,144,50)	CKSRYB105K10
	C 669 (B,82,17)	CCSSCH560J50	C 1102 (B,144,49)	CKSSYB104K10
	C 670 (B,82,21)	CCSSCH560J50	C 1106 (B,142,42)	CKSSYB104K10
	C 671 (B,81,21)	CCSSCH560J50	C 1108 (B,141,42)	CKSSYB104K10
	C 672 (B,80,18)	CCSSCH560J50	C 1110 (B,140,42)	CKSSYB104K10
F	C 673 (B,79,18)	CCSSCH560J50	C 1112 (B,139,42)	CKSSYB104K10
	C 674 (B,89,22)	CCSSCH560J50	C 1114 (B,138,42)	CKSSYB104K10
	C 675 (B,89,17)	CCSSCH560J50	C 1115 (B,134,58)	CKSRYB105K10
	C 676 (B,85,22)	CCSSCH560J50	C 1116 (B,137,42)	CKSSYB104K10

5		6		7		8	
<u>Circuit Symbol and No.</u>		<u>Part No.</u>		<u>Circuit Symbol and No.</u>		<u>Part No.</u>	
C 1117	(B,133,58)	CKSRYB105K10		C 1283	(B,127,89) 1 uF	CCG1325	
C 1118	(B,136,42)	CKSSYB104K10		C 1301	(A,100,112) 4.7 uF	CCG1201	
C 1119	(B,132,58)	CKSRYB105K10		C 1302	(B,91,107)	CKSRYB103K50	
				C 1303	(B,85,107)	CKSRYB103K50	A
C 1120	(B,135,42)	CKSSYB104K10		C 1304	(B,93,108)	CKSRYB474K16	
C 1122	(B,134,42)	CKSSYB104K10		C 1305	(B,83,108)	CKSRYB474K16	
C 1124	(B,133,42)	CKSSYB104K10		C 1306	(A,93,111)	CKSQYB225K16	
C 1126	(B,132,42)	CKSSYB104K10		C 1307	(A,87,111) 4.7 uF	CCG1291	
C 1127	(B,127,48) 10 uF	CCG1192		C 1308	(A,82,109)	CKSRYB104K50	
C 1128	(B,131,47)	CKSSYB104K10		C 1313	(A,82,97) 4 700 uF/16 V	CCH2085	
C 1129	(B,131,48)	CKSSYB104K10		C 1315	(A,85,112) 0.1 uF	CCG1311	
C 1132	(B,130,53) 10 uF	CCG1192		C 1316	(A,84,108) 10 uF	CCG1192	
C 1133	(B,129,49) 10 uF	CCG1192		C 1318	(B,89,107)	CKSQYB474K25	
C 1134	(B,145,47) (C,D,E,F)	CKSSYB104K10		C 1319	(B,87,107)	CKSQYB474K25	
C 1135	(B,130,45)	CCSSCH181J50					
C 1136	(B,143,54)	CKSRYB105K10		C 1320	(A,89,111) 4.7 uF	CCG1291	B
C 1137	(B,144,54)	CKSRYB105K10		C 2010	(A,34,57)	CKSRYB105K10	
C 1138	(B,145,54)	CKSRYB105K10		C 2011	(A,42,59)	CKSRYB105K10	
C 1201	(B,130,85) (A)	CKSRYB105K10		C 2017	(A,34,60)	CKSSYB104K10	
C 1202	(A,135,88)	CEVW470M16		C 2202	(A,50,61)	CKSSYB104K10	
C 1203	(A,131,83)	CKSSYB104K10		C 2203	(A,50,65)	CKSSYB104K10	
C 1206	(A,125,77)	CEVW470M16		C 2204	(A,51,64) 10 uF	DCH1201	
C 1207	(B,132,86) (A)	CKSRYB105K10		C 2205	(A,40,65) 10 uF	DCH1201	
C 1208	(B,131,89)	CKSRYB105K10		C 2206	(A,43,77)	CKSSYB104K10	
C 1209	(B,133,89)	CKSRYB105K10		C 2208	(A,41,78)	CKSSYB224K6R3	
C 1210	(B,133,92)	CKSRYB105K10		C 2209	(A,41,79)	CKSSYB102K50	C
C 1211	(B,134,92)	CKSRYB105K10		C 2210	(A,37,77)	CKSSYB104K10	
C 1212	(B,135,89)	CKSRYB105K10		C 2212	(A,36,90)	CCSSCH220J50	
C 1213	(B,136,89)	CKSRYB105K10		C 2213	(A,36,89)	CCSSCH271J50	
C 1214	(B,137,92)	CKSRYB105K10		C 2216	(A,40,70)	CKSSYB104K10	
C 1215	(B,138,92)	CKSRYB105K10		C 2219	(A,32,80)	CCSSCH102J50	
C 1216	(B,138,89)	CKSRYB105K10		C 2220	(A,33,92)	CCSSCH471J50	
C 1217	(B,140,89)	CKSRYB105K10		C 2224	(A,35,75)	CKSSYB152K50	
C 1218	(B,140,92)	CKSRYB105K10		C 2234	(A,34,93)	CCSSCH100D50	
C 1219	(B,141,92)	CKSRYB105K10		C 2238	(A,51,78)	CKSSYB102K50	
C 1220	(B,142,89)	CKSRYB105K10		C 2401	(B,166,90)	CKSSYB222K50	
C 1221	(B,144,88) (A)	CKSRYB105K10		C 2402	(B,165,90)	CCSSCH270J50	D
C 1222	(B,145,85) (A)	CKSRYB105K10		C 2403	(B,157,81)	CKSSYB104K16	
C 1223	(A,143,77)	CEVW470M16		C 2404	(A,159,92)	CEVW470M16	
C 1224	(A,133,76) 10 uF	CCG1332		C 2405	(A,167,92)	CEVW101M16	
C 1225	(A,130,69)	CKSSYB104K10		C 2406	(B,166,88)	CKSRYB105K10	
C 1226	(A,134,67)	CEVW470M16		C 2407	(B,162,80)	CKSSYB102K50	
C 1228	(B,139,72)	CKSSYB104K10		C 2408	(B,164,80)	CKSSYB472K25	
C 1229	(B,135,72)	CKSSYB104K10		C 2409	(B,159,80)	CKSSYB104K16	
C 1231	(A,129,82)	CCSSCH151J50		C 2410	(B,163,92)	CCSSCH681J50	
C 1232	(A,129,83)	CKSSYB102K50		C 2412	(B,160,92) 0.1 uF	CCG1286	
C 1234	(A,142,83)	CCSSCH151J50		C 2414	(A,170,87)	CKSSYB104K10	
C 1237	(B,126,78) 0.1 uF	CCG1311		C 2415	(A,166,84) 22 uF	CCG1254	E
C 1238	(B,147,79) 0.1 uF	CCG1311		C 2504	(B,163,13)	CKSSYB104K16	
C 1239	(A,142,94)	CKSSYB102K50		C 2506	(B,154,9)	CCSSCH221J50	
C 1271	(B,104,84) 1 uF	CCG1255		C 2509	(A,141,25)	CKSSYB104K10	
C 1272	(B,118,89) 1 uF	CCG1325		C 2512	(A,143,32)	CCSSCH390J50	
C 1273	(B,120,89) 1 uF	CCG1325		C 2513	(A,166,15) 10 uF	DCH1201	
C 1274	(B,122,89) 1 uF	CCG1325		C 2514	(A,167,15) 10 uF	DCH1201	
C 1275	(B,124,89) 1 uF	CCG1325		C 2902	(B,46,9) 4.7 uF	CCG1201	
C 1276	(B,125,89) 1 uF	CCG1325		C 2904	(B,49,13) 4.7 uF	CCG1201	
C 1277	(B,118,75) 1 uF	CCG1255		C 2905	(B,46,7)	CKSSYB104K10	
C 1278	(B,120,80) 1 uF	CCG1255		C 2906	(B,45,13)	CKSSYB104K10	F
C 1279	(B,122,80) 1 uF	CCG1255		C 2907	(A,31,20)	CEVW221M16	
C 1280	(B,106,80) 1 uF	CCG1255		C 2909	(A,47,16)	CKSRYB105K10	
C 1282	(B,102,84) 1 uF	CCG1255		C 3006	(A,94,9) 10 uF	CCG1192	

1

Circuit Symbol and No.

2

Part No.

3

Circuit Symbol and No.

4

Part No.

C 3007 (A,85,10) CEVW101M16
 C 3125 (A,32,108) CKSSYB471K50
 C 3126 (A,52,62) CCSSCH102J50
 C 3127 (B,25,129) CKSRYB102K50

C 3128 (B,32,129) CKSRYB102K50
 C 3129 (B,34,129) CKSRYB102K50
 C 3130 (B,26,129) CCSSCH101J50
 C 3151 (A,161,105) CKSRYB104K50
 C 3152 (A,151,105) CKSRYB104K50

C 3154 (A,137,107) CKSRYB104K50
 C 3156 (B,144,97) CCSSCH271J50
 C 3157 (B,145,92) CKSRYB102K50
 C 3161 (A,144,105) (A) CCSSCH270J50
 C 3162 (A,142,105) (A) CCSSCH270J50

C 3163 (A,135,104) (A) CCSSCH270J50
 C 3164 (A,133,104) (A) CCSSCH270J50
 C 3165 (A,125,104) (A) CCSSCH270J50
 C 3166 (A,124,104) (A) CCSSCH270J50
 C 3167 (A,147,103) 4.7 uF CCG1201

C 3168 (A,139,103) 4.7 uF CCG1201
 C 3169 (A,137,103) 4.7 uF CCG1201
 C 3170 (A,130,103) 4.7 uF CCG1201
 C 3171 (A,128,103) 4.7 uF CCG1201
 C 3172 (A,121,103) 4.7 uF CCG1201

C 3191 (B,160,98) 10 uF DCH1201
 C 3192 (B,154,97) CKSSYB104K10
 C 3221 (B,75,72) CKSSYB104K10
 C 3222 (B,77,72) CKSSYB104K10
 C 3231 (B,80,72) CKSSYB104K10

C 3232 (B,113,73) 10 uF CCG1192
 C 3233 (B,88,76) CKSSYB104K10
 C 3234 (B,113,71) CKSSYB104K10
 C 3235 (B,99,79) CKSSYB104K10
 C 3236 (B,86,72) CKSRYB105K10

C 3237 (B,86,74) CKSRYB105K10
 C 3238 (B,92,81) CKSRYB105K10
 C 3239 (B,89,81) CKSRYB105K10
 C 3240 (B,110,72) CKSRYB105K10
 C 3241 (B,108,68) CKSRYB105K10

C 3242 (B,95,82) CKSRYB105K10
 C 3243 (B,95,81) CKSRYB105K10
 C 4001 (B,28,34) (A) CKSSYB104K10
 C 4002 (B,22,36) (A) CKSSYB104K10
 C 4010 (B,62,14) CKSSYB102K50

C 4011 (B,61,12) CKSSYB102K50
 C 4013 (A,9,27) (A) CKSRYB104K50
 C 4014 (B,143,40) CKSSYB102K50
 C 4015 (B,150,20) CKSSYB102K50
 C 4016 (B,151,20) CKSSYB102K50

C 4017 (B,144,20) CCSSCH180J50
 C 4018 (B,142,20) CCSSCH180J50
 C 4019 (B,73,27) CKSSYB102K50
 C 4020 (B,73,30) CKSSYB102K50
 C 4023 (B,144,27) CKSSYB102K50

C 4024 (B,66,36) (A) CKSSYB104K10
 C 4026 (B,56,34) (A) CKSSYB104K10
 C 4039 (B,157,44) CKSSYB221K50
 C 4040 (B,158,45) CKSSYB102K50
 C 4041 (A,126,30) CCSRCH102J50

B**Unit Number : CXX7273****Unit Name : Service Unit(Monitor)****MISCELLANEOUS**

IC 5001 (A,115,22) Interface IC AK4187VN
 IC 5101 (A,108,53) Display IC OZ5271LN
 IC 5201 (A,27,57) DC/DC CONV IC R1290K103A
 Q 5001 (A,103,36) Chip Transistor HN1C01FU
 Q 5002 (A,101,39) Bipolar TR LSCR523UB

Q 5201 (A,32,63) Resistor Built-IN TR LTC024EEB
 Q 5202 (A,20,59) Transistor 2SAR502UB
 Q 5301 (A,38,58) Bipolar TR LSAR523UB
 Q 5302 (A,41,54) Bipolar TR LSCR523UB
 D 5001 (B,120,16) Diode DZ2S068C

D 5002 (B,119,19) Diode DZ2S068C
 D 5003 (B,116,18) Diode DZ2S068C
 D 5004 (B,115,16) Diode DZ2S068C
 D 5005 (A,109,32) Diode DZ2S068C
 D 5006 (A,109,33) Diode DZ2S068C

D 5101 (A,107,59) Diode RB060M-30
 D 5102 (A,80,59) Diode CRG03
 D 5201 (A,22,50) Schottky Diode RB162M-40
 D 5202 (B,22,67) Schottky Diode DB3S308F0
 D 5203 (B,24,66) Schottky Diode DB3S308F0

D 5204 (B,19,61) Schottky Diode DB3S308F0
 L 5102 (A,102,60) Inductor ATH7068
 L 5201 (A,21,54) Choke Coil 22 uH CTH1426
 L 5301 (B,14,38) Inductor CTF1635
 TH5001 (A,78,5) Thermistor CCX1084

CN5001 (A,117,11) FFC/FPC Connector CKS6625
 CN5002 (A,134,17) Connector CKS4428
 CN5003 (A,60,63) FFC/FPC Connector CKS6646
 CN5004 (A,116,36) Connector CKS6063
 CN5301 (A,34,36) FFC/FPC Connector CKS6646

RESISTORS

R 5006 (A,117,19) RS1/16SS241J
 R 5010 (A,118,21) RS1/16SS681J
 R 5011 (A,118,23) RS1/16SS181J
 R 5012 (B,119,24) RS1/16SS560J
 R 5021 (A,105,37) RS1/16SS680J

R 5022 (A,106,37) RS1/16SS560J
 R 5024 (A,101,34) RS1/16SS680J
 R 5025 (A,101,35) RS1/16SS560J
 R 5027 (A,98,39) RS1/16SS680J
 R 5028 (A,98,37) RS1/16SS560J

R 5030 (A,105,36) RS1/16SS272J
 R 5031 (A,103,34) RS1/16SS272J
 R 5032 (A,98,40) RS1/16SS272J
 R 5033 (A,77,9) RS1/16SS183J
 R 5040 (A,97,72) RS1/16SS0R0J

R 5104 (B,109,56) RS1/16SS104J
 R 5105 (B,105,50) RS1/16SS104J
 R 5106 (B,102,55) RS1/16SS102J
 R 5107 (A,106,50) RS1/16SS223J
 R 5109 (A,106,48) RS1/16SS563J

R 5110 (A,109,48) RS1/16SS104J

1

2

3

4

5		6		7		8	
<u>Circuit Symbol and No.</u>		<u>Part No.</u>		<u>Circuit Symbol and No.</u>		<u>Part No.</u>	
R 5111	(A,110,48)	RS1/16SS101J		CAPACITORS			
R 5112	(A,112,57)	RS1/16SS102J					
R 5113	(A,112,55)	RS1/16SS2702D		C 5001	(B,119,16)	CKSSYB103K16	A
R 5114	(A,113,55)	RS1/16SS3901D		C 5002	(B,118,16)	CKSSYB103K16	
R 5119	(B,114,57)	RS1/16SS105J		C 5003	(B,117,16)	CKSSYB103K16	
R 5121	(B,114,55)	RS1/16SS154J		C 5004	(B,116,16)	CKSSYB103K16	
R 5123	(A,105,56)	RS1/8SQ2R2J		C 5005	(A,114,18) 10 uF	CCG1244	
R 5201	(A,29,63)	RS1/16SS8201D					
R 5202	(A,29,61)	RS1/16SS6800D		C 5006	(A,110,27) 10 uF	CCG1244	
				C 5007	(A,112,22)	CKSSYB104K10	
R 5203	(A,30,62)	RS1/16SS1502D		C 5008	(A,115,19)	CKSSYB104K10	
R 5206	(B,23,58)	RS1/16SS9102D		C 5015	(A,78,6)	CKSSYB104K10	
R 5207	(B,29,60)	RS1/16SS1802D		C 5016	(A,78,9)	CKSSYB104K10	
R 5208	(B,30,59)	RS1/16SS203J					
R 5209	(B,30,55)	RS1/16SS104J		C 5017	(A,115,18) 1 uF	DCH1246	
				C 5018	(A,111,22) 1 uF	DCH1246	B
R 5210	(A,22,58)	RS1/16SS103J		C 5101	(A,84,58) 10 uF	CCG1236	
R 5211	(A,33,58)	RS1/16SS472J		C 5103	(A,94,58) 10 uF	CCG1236	
R 5212	(B,26,61)	RS1/16SS1003D		C 5104	(A,96,58) 10 uF	CCG1236	
R 5213	(B,27,62)	RS1/16SS9101D					
R 5214	(A,20,50)	RS1/8SQ2R2J		C 5105	(A,104,51)	CKSRYB105K16	
				C 5106	(A,103,53)	CKSRYB105K16	
R 5216	(A,31,53)	RS1/16SS1203D		C 5108	(A,107,48)	CKSRYB105K10	
R 5217	(A,31,54)	RS1/16SS3001D		C 5109	(A,108,48)	CCSSCH101J50	
R 5218	(A,33,54)	RS1/16SS1502D		C 5110	(A,112,60) 10 uF	CCG1236	
R 5219	(A,30,53)	RS1/16SS472J					
R 5220	(A,29,51)	RS1/16SS0R0J		C 5113	(A,114,57)	CKSRYB224K16	
				C 5120	(A,103,57)	CKSSYB332K50	
R 5231	(A,21,63)	RS1/16SS103J		C 5201	(A,34,59)	CKSSYB224K6R3	C
R 5232	(A,17,61)	RS1/16SS332J		C 5203	(A,34,62)	CKSRYB105K10	
R 5301	(A,10,39)	RS1/16SS3R9J		C 5204	(A,34,60)	CKSSYB224K6R3	
R 5302	(A,10,37)	RS1/16SS27R0D					
R 5303	(A,9,37)	RS1/16SS2200D		C 5205	(A,27,62)	CKSRYB224K16	
				C 5206	(A,19,48)	CKSSYB472K50	
R 5304	(A,10,36)	RS1/16SS75R0D		C 5207	(A,27,52)	CKSSYB102K50	
R 5305	(A,9,35)	RS1/16SS56R0D		C 5208	(B,18,63)	CKSRYB105K16	
R 5307	(A,9,33)	RS1/16SS51R0D		C 5209	(B,30,53)	CKSRYB105K10	
R 5309	(A,9,31)	RS1/16SS1500D					
R 5310	(A,10,30)	RS1/16SS27R0D		C 5210	(B,24,68)	CKSQYB105K25	
				C 5212	(B,26,65)	CKSQYB105K25	
R 5311	(A,9,29)	RS1/16SS1300D		C 5213	(B,21,59)	CKSRYB104K50	
R 5312	(A,10,28)	RS1/16SS1300D		C 5214	(B,22,65)	CKSRYB104K50	D
R 5313	(A,9,27)	RS1/16SS1500D		C 5215	(B,24,64)	CKSRYB104K50	
R 5314	(A,10,26)	RS1/16SS24R0D					
R 5315	(A,9,25)	RS1/16SS33R0D		C 5217	(A,24,63)	CKSYB475K16	
				C 5218	(A,33,56)	CKSRYB682K50	
R 5316	(A,10,24)	RS1/16SS27R0D		C 5219	(A,18,52) 4.7 uF	CCG1212	
R 5317	(A,10,22)	RS1/16SS51R0D		C 5220	(A,28,63)	CCSSCH101J50	
R 5318	(A,11,23)	RS1/16SS220J		C 5221	(B,26,62)	CKSSYB561K50	
R 5319	(A,12,22)	RS1/16SS1500D					
R 5320	(A,13,23)	RS1/16SS1500D		C 5222	(A,24,49)	CKSYB475K16	
				C 5224	(A,30,54)	CKSSYB152K50	
R 5321	(A,14,22)	RS1/16SS33R0D		C 5301	(A,8,38)	CKSSYB104K16	
R 5322	(A,16,22)	RS1/16SS1R0J		C 5302	(A,7,36) 4.7 uF	CCG1222	
R 5323	(B,27,39)	RS1/16SS473J		C 5309	(A,7,29)	CKSSYB102K50	E
R 5325	(B,32,36)	RS1/16SS473J					
R 5331	(A,42,59)	RS1/16SS153J		C 5310	(A,7,28)	CKSSYB104K16	
				C 5311	(A,7,27)	CKSSYB102K50	
R 5333	(A,39,60)	RS1/16SS105J		C 5312	(A,7,26)	CKSSYB104K10	
R 5335	(A,40,57)	RS1/16SS153J		C 5319	(A,14,21)	CKSSYB102K50	
R 5336	(A,38,55)	RS1/16SS472J		C 5320	(A,15,21)	CKSSYB104K10	
R 5337	(A,37,54)	RS1/16SS101J					
R 5339	(A,35,50)	RS1/8SQ0R0J		C 5321	(B,17,32)	CKSSYB102K50	
				C 5323	(B,16,32)	CKSSYB104K16	
R 5340	(A,41,56)	RS1/16SS273J		C 5325	(B,13,33) 10 uF	CCG1236	
R 5341	(A,39,56)	RS1/16SS474J		C 5326	(B,14,40)	CKSSYB102K50	
R 5344	(B,32,43)	RS1/16SS473J		C 5328	(B,45,36)	CKSSYB102K50	F
R 5345	(B,33,42)	RS1/16SS473J					
R 5346	(B,31,40)	RS1/16SS473J		C 5329	(B,29,38)	CKSSYB102K50	
				C 5330	(B,20,35)	CKSSYB104K10	
R 5349	(A,30,40)	RS1/16SS473J					

1

2

3

4

Circuit Symbol and No.**Part No.****Circuit Symbol and No.****Part No.**

C 5331 (B,18,35) 10 uF
 C 5334 (A,19,41)
 C 5335 (A,18,43) 4.7 uF

CCG1192
 CKSSYB104K16
 CCG1222

R 1110 (B,16,54)
 R 1111 (B,6,63)
 R 1112 (B,5,58)

RS1/16SS3R3J
 RS1/10SR3R3J
 RS1/10SR3R3J

A

C 5337 (A,16,43)
 C 5339 (A,22,41)
 C 5340 (A,22,43)
 C 5341 (A,22,45)
 C 5342 (A,28,41) 2.2 uF

CKSQYB225K16
 CKSRYB104K50
 CKSQYB334K50
 CKSRYB103K50
 CCG1218

R 1113 (B,15,59)
 R 1114 (B,19,57)
 R 1115 (B,6,61)
 R 1116 (B,6,62)
 R 1117 (B,18,59)

RS1/10SR3R9J
 RS1/10SR3R3J
 RS1/10SR2R7J
 RS1/10SR2R7J
 RS1/10SR3R9J

C 5343 (A,40,60)
 C 5344 (A,37,52) 10 uF
 C 5347 (B,28,35)
 C 5348 (B,47,35)
 C 5349 (B,34,44)

CKSSYB104K10
 CCG1236
 CKSSYB102K50
 CKSSYB102K50
 CKSRYB105K10

R 1118 (B,16,59)
 R 1223 (A,42,50)
 R 1225 (B,29,7)
 R 1251 (A,6,48)
 R 1252 (A,6,47)

RS1/10SR3R9J
 RS1/16SS561J
 RS1/16SS471J
 RS1/16SS333J
 RS1/16SS473J

B

C
Unit Number: CWX4609
Unit Name : DVD Core Unit

R 1253 (A,6,46)
 R 1254 (A,6,45)
 R 1255 (A,22,48)
 R 1256 (A,21,45)
 R 1257 (B,8,37)

RS1/16SS333J
 RS1/16SS473J
 RS1/16SS183J
 RS1/16SS153J
 RS1/16SS221J

MISCELLANEOUS

IC 1002 (B,15,13) Regulator IC
 IC 1004 (B,64,28) IC
 IC 1251 (A,12,41) IC
 IC 1401 (B,28,40) Flash ROM Unit
 IC 1402 (B,46,28) Flash ROM Unit

MM1886A50P
 NJM2855DL1-33
 BA5839FP
 CWW8811
 CWW8812

R 1258 (A,19,39)
 R 1401 (B,34,28)
 R 1402 (B,35,47)
 R 1405 (B,55,35)
 R 1406 (B,39,45)

RS1/16SS221J
 RS1/16SS221J
 RS1/16SS104J
 RS1/16SS104J
 RS1/16SS472J

C

IC 1480 (A,65,30) RAM IC
 IC 1501 (A,39,33) IC
 IC 1953 (B,57,17) IC
 Q 1101 (B,13,59) Bipolar TR
 Q 1102 (B,14,56) Bipolar TR

M12L64164A-5TG2Y
 MN2DS0018MA
 S-1135D12-A6
 LSCR523UB
 LSCR523UB

R 1480 (A,73,24)
 R 1481 (A,73,28)
 R 1482 (A,73,32)
 R 1483 (A,73,35)
 R 1484 (A,73,39)

RAB4CQ560J
 RAB4CQ560J
 RAB4CQ560J
 RAB4CQ560J
 RAB4CQ560J

Q 1103 (B,10,62) Transistor
 Q 1104 (B,22,54) Transistor
 L 1501 (A,54,30) Inductor
 L 1511 (A,48,17) Chip Beads
 L 1902 (A,18,17) Inductor

2SB1132
 2SB1132
 CTF1743
 VTL1126
 CTF1487

R 1485 (A,55,22)
 R 1486 (A,56,27)
 R 1487 (A,56,37)
 R 1488 (A,56,40)
 R 1489 (A,54,29)

RAB4CQ560J
 RAB4CQ560J
 RAB4CQ560J
 RAB4CQ560J
 RS1/16SS560J

D

L 1903 (B,64,16) Inductor
 L 1904 (A,68,18) Resistor
 X 1501 (B,48,18) Crystal Resonator
 F 1001 (A,14,19) Chip EMI Filter
 F 1002 (B,64,18) Chip EMI Filter

CTF1558
 RS1/16SS0R0J
 CSS1823
 DTF1106
 DTL1106

R 1490 (A,73,21)
 R 1501 (B,49,20)
 R 1503 (B,47,20)
 R 1504 (A,50,17)
 R 1509 (A,21,34)

RS1/16SS560J
 RS1/16SS122J
 RS1/16SS105J
 RS1/16SS121J
 RS1/16SS102J

S 1 (A,47,55) Lever Switch
 S 3 (B,26,13) Lever Switch
 VR1101 (A,7,63) Semi-fixed
 VR1102 (A,7,59) Semi-fixed 15 kohm(B)
 CN1101 (A,21,63) FFC/FPC Connector

CSN1090
 CSN1089
 CCP1447
 CCP1449
 CKS6631

R 1510 (A,11,29)
 R 1512 (A,55,31)
 R 1513 (A,23,38)
 R 1514 (A,25,40)
 R 1516 (A,25,36)

RS1/16SS102J
 RS1/16SS470J
 RS1/16SS203J
 RS1/16SS183J
 RS1/16SS104J

CN1952 (A,42,11) Connector

CKS6025

R 1517 (B,58,22)
 R 1518 (B,34,31)
 R 1522 (A,21,37)
 R 1523 (A,23,37)
 R 1524 (B,29,33)

RS1/16SS103J
 RS1/16SS103J
 RS1/16SS104J
 RS1/16SS221J
 RS1/16SS472J

E

RESISTORS

R 1004 (B,12,20)
 R 1007 (B,12,21)
 R 1019 (B,34,7)
 R 1025 (B,36,6)
 R 1027 (A,40,18)

RS1/16SS4702F
 RS1/16SS6801F
 RS1/16SS101J
 RS1/16SS101J
 RS1/16SS101J

R 1525 (A,25,44)
 R 1526 (A,23,40)
 R 1527 (A,35,48)
 R 1528 (B,20,33)
 R 1529 (B,35,21)

RS1/16SS103J
 RS1/16SS103J
 RS1/16SS682J
 RS1/16SS103J
 RS1/16SS103J

R 1101 (B,15,57)
 R 1102 (B,11,56)
 R 1103 (B,14,61)
 R 1104 (B,11,58)
 R 1105 (B,17,54)

RS1/16SS104J
 RS1/16SS104J
 RS1/16SS4300F
 RS1/16SS5100F
 RS1/16SS4300F

R 1530 (B,18,33)
 R 1531 (B,34,30)
 R 1533 (A,29,48)
 R 1534 (B,29,48)
 R 1535 (A,22,44)

RS1/16SS103J
 RS1/16SS103J
 RS1/16SS104J
 RS1/16SS221J
 RS1/16SS104J

F

R 1106 (B,10,57)
 R 1109 (B,6,57)

RS1/16SS5600F
 RS1/16SS3R3J

R 1536 (B,32,48)
 R 1537 (A,25,46)

RS1/16SS104J
 RS1/16SS104J

1

2

3

4

5		6		7		8	
<u>Circuit Symbol and No.</u>		<u>Part No.</u>		<u>Circuit Symbol and No.</u>		<u>Part No.</u>	
R 1538	(A,56,35)	RS1/16SS104J		C 1484	(A,73,30)	CKSSYB104K10	
R 1539	(B,34,48)	RS1/16SS104J		C 1485	(A,73,41)	CKSSYB104K10	
R 1540	(A,26,46)	RS1/16SS221J		C 1487	(A,58,29)	CKSSYB104K10	A
R 1541	(A,26,45)	RS1/16SS221J		C 1488	(A,57,25)	CKSSYB104K10	
R 1542	(B,27,34)	RS1/16SS103J		C 1489	(A,65,17) 10 uF	CCG1192	
R 1546	(A,33,48)	RS1/16SS682J					
R 1601	(A,32,17)	RS1/16SS123J		C 1490	(A,66,18)	CKSSYB102K50	
R 1602	(A,32,18)	RS1/16SS123J		C 1501	(B,62,20) 10 uF	CCG1192	
				C 1502	(B,55,19) 10 uF	CCG1192	
R 1603	(B,31,20)	RS1/16SS1002D		C 1503	(A,54,33)	CKSSYB104K10	
R 1604	(A,24,21)	RS1/16SS105J		C 1504	(A,54,24)	CKSSYB104K10	
R 1605	(A,22,23)	RS1/16SS105J					
R 1670	(B,40,19)	RS1/16SS1002D		C 1505	(A,54,27)	CKSSYB104K10	
R 1671	(B,43,19)	RS1/16SS2402D		C 1506	(B,53,34)	CKSSYB104K10	
				C 1507	(A,54,36)	CKSSYB104K10	
R 1672	(A,39,18)	RS1/16SS2000D		C 1508	(A,54,38)	CKSSYB104K10	B
R 1674	(A,38,17)	RS1/16SS3002D		C 1509	(A,54,42)	CKSSYB104K10	
R 1982	(A,10,62)	RS1/16SS822J					
R 1983	(B,41,19)	RS1/16SS1000D		C 1510	(B,51,18)	CCSSCH120J50	
R 1990	(B,35,19)	RS1/16SS2000D		C 1511	(A,49,18)	CKSSYB104K10	
				C 1512	(B,46,18)	CCSSCH120J50	
R 1991	(B,31,16)	RS1/16SS101J		C 1513	(A,48,47)	CKSSYB104K10	
R 1996	(B,36,13)	RS1/16SS2000D		C 1514	(B,45,20)	CKSSYB104K10	
R 1997	(B,36,10)	RS1/16SS101J					
R 2002	(B,43,10)	RS1/16SS2000D		C 1515	(A,44,19)	CKSSYB104K10	
R 2003	(B,43,8)	RS1/16SS101J		C 1516	(A,44,47)	CKSSYB104K10	
				C 1517	(A,42,47)	CKSSYB104K10	
				C 1518	(A,38,47)	CKSSYB104K10	
				C 1519	(A,34,47)	CKSSYB104K10	C
CAPACITORS							
C 1002	(B,13,17)	CKSSYB104K16		C 1520	(A,27,47)	CKSSYB104K10	
C 1003	(B,16,18)	CKSSYB104K16		C 1521	(A,25,33)	CKSSYB104K10	
C 1004	(B,15,17) 4.7 uF	CCG1201		C 1522	(A,25,38)	CKSSYB104K10	
C 1005	(B,41,11)	CKSRYB105K16		C 1523	(A,20,45)	CKSSYB104K10	
C 1010	(B,60,23)	CKSQYB225K10		C 1524	(A,21,48)	CKSSYB473K16	
C 1011	(B,64,22)	CKSRYB105K10		C 1526	(A,25,37)	CKSSYB103K16	
C 1015	(A,26,7)	CKSSYB102K50		C 1528	(B,30,48)	CCSSCH471J50	
C 1016	(B,64,15)	CKSSYB102K50		C 1601	(A,32,19)	CKSSYB103K16	
C 1018	(B,14,21)	CKSSYB104K10		C 1602	(A,34,17)	CCSSCH101J50	
C 1040	(B,59,12)	CCSRCH821J50		C 1603	(A,34,18)	CCSSCH101J50	
C 1041	(B,19,12)	CCSRCH271J50					D
C 1101	(B,15,53) 10 uF	CCG1192		C 1604	(A,30,17)	CCSSCH680J50	
C 1104	(B,8,57)	CKSSYB104K10		C 1605	(A,30,18)	CCSSCH680J50	
C 1105	(B,18,54)	CKSSYB104K10		C 1606	(A,35,19)	CKSSYB104K10	
C 1106	(B,8,66)	CKSSYB103K16		C 1607	(A,20,24) 10 uF	CCG1192	
				C 1608	(A,28,18) 4.7 uF	CCG1201	
C 1107	(B,26,53)	CKSSYB103K16					
C 1108	(A,20,56)	CKSSYB103K16		C 1609	(A,26,22)	CKSSYB104K10	
C 1109	(A,7,57)	CKSRYB224K16		C 1612	(A,24,24)	CKSSYB104K10	
C 1110	(A,18,58)	CKSSYB103K16		C 1613	(A,25,25)	CKSSYB104K10	
C 1111	(A,9,66)	CKSRYB224K16		C 1614	(A,23,24)	CKSSYB104K10	
				C 1615	(A,23,26)	CKSSYB104K10	
C 1112	(B,17,52) 22 uF	DCH1256					E
C 1113	(B,9,58) 22 uF	DCH1256		C 1616	(A,25,27)	CKSSYB104K10	
C 1210	(B,77,33)	CKSSYB104K16		C 1617	(B,27,28)	CKSSYB104K10	
C 1251	(B,13,41)	CEVW101M16		C 1618	(A,23,29)	CCSSCH101J50	
C 1252	(B,8,41) 4.7 uF	CCG1222		C 1619	(A,23,30)	CKSSYB562K25	
				C 1620	(B,27,30)	CKSSYB224K6R3	
C 1253	(B,8,39)	CKSSYB104K16					
C 1254	(A,6,37)	CKSSYB104K16		C 1621	(A,23,31)	CKSSYB224K6R3	
C 1255	(A,19,37)	CKSSYB104K16		C 1622	(A,25,31)	CKSSYB333K16	
C 1401	(B,34,27)	CKSSYB104K16		C 1623	(A,27,20)	CKSRYB105K10	
C 1403	(B,39,40)	CKSSYB104K10		C 1624	(A,25,32)	CKSSYB104K10	
				C 1625	(A,25,29)	CKSSYB104K10	
C 1408	(B,58,27)	CKSSYB104K10					
C 1410	(B,34,29)	CKSSYB104K16		C 1671	(A,42,19)	CKSSYB104K10	F
C 1480	(A,71,19)	CKSSYB104K10		C 1673	(A,37,17)	CKSSYB104K10	
C 1481	(A,73,22)	CKSSYB104K10		C 1674	(B,42,20)	CKSSYB104K10	
C 1482	(A,72,26)	CKSSYB104K10		C 1676	(B,38,20)	CKSRYB105K10	
				C 1809	(B,40,17)	CKSSYB102K50	

1
Circuit Symbol and No.

2
Part No.

3

4

A	C 1953	(B,60,17)	CKSRYB105K10
	C 1954	(B,55,17)	CKSRYB105K10
	C 1955	(B,77,40)	CKSSYB104K16
	C 1962	(B,40,20)	CKSRYB105K10



Unit Number: CXX7275

Unit Name : Service Unit(Keyboard)

MISCELLANEOUS

B	D 5501	(A,4,45) LED	SMLVN6RGB2UK(B)
	S 5504	(A,11,77) Push Switch	CSG1155
	S 5505	(A,11,69) Push Switch	CSG1155
	S 5506	(A,11,21) Push Switch	CSG1155
	S 5507	(A,11,13) Push Switch	CSG1155
	S 5508	(A,11,38) Push Switch	CSG1155
	S 5509	(A,13,45) Push Switch	CSG1155
	U 5501	(A,7,92) IR RC Rec Module	PNJ4833M
	S 5501	(A,14,93) Push Switch	CSG1155
	S 5502	(A,24,94) Push Switch	CSG1155
	S 5503	(A,11,52) Push Switch	CSG1155
	CN5501	(B,14,43) Connector	CKS6063

C **RESISTORS**

	R 5502	(B,11,77)	RS1/16SS470J
	R 5504	(A,14,41)	RS1/16SS392J
	R 5505	(A,15,24)	RS1/16SS472J
	R 5506	(A,15,22)	RS1/16SS123J
	R 5507	(A,15,78)	RS1/16SS182J
	R 5508	(A,15,80)	RS1/16SS222J
	R 5509	(A,15,82)	RS1/16SS472J

CAPACITORS

D	C 5508	(B,8,93) 10 uF	CCG1192
---	--------	----------------	---------