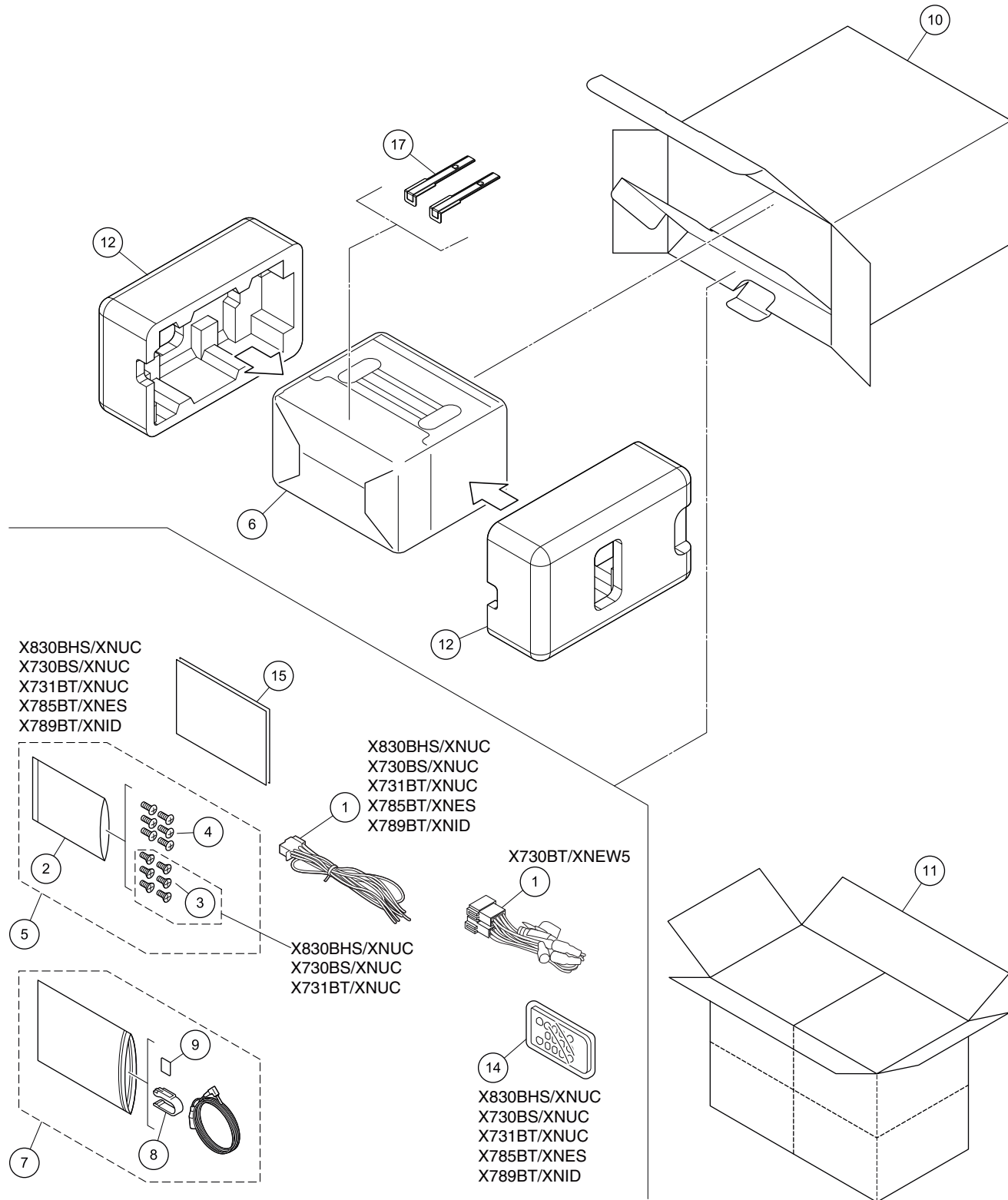


9. EXPLODED VIEWS AND PARTS LIST

NOTES : • Parts marked by "*" are generally unavailable because they are not in our Master Spare Parts List.

- The ⚠ mark found on some component parts indicates the importance of the safety factor of the part. Therefore, when replacing, be sure to use parts of identical designation.
- Screw adjacent to ▽ mark on the product are used for disassembly.
- For the applying amount of lubricants or glue, follow the instructions in this manual.
(In the case of no amount instructions, apply as you think it appropriate.)

9.1 PACKING



PACKING SECTION PARTS LIST

| Mark | No. | Description | FH-X830BHS/ XNUC | FH-X730BS/ XNUC | FH-X731BT/ XNUC | FH-X730BT/ XNEW5 | FH-X785BT/ XNES | FH-X789BT/ XNID |
|------|------|--------------------------|---------------------|--------------------|--------------------|---------------------|--------------------|--------------------|
| * | 1 | Cord Assy | CDP1484 | CDP1484 | CDP1484 | QDP3072 | CDP1484 | CDP1484 |
| | 2 | Polyethylene Bag | CEG1160 | CEG1160 | CEG1160 | Not used | CEG1160 | CEG1160 |
| | 3 | Screw | CBA2383 | CBA2383 | CBA2383 | Not used | Not used | Not used |
| | 4 | Screw | CBA2384 | CBA2384 | CBA2384 | Not used | CBA2384 | CBA2384 |
| | 5 | Accessory Assy | QEA3335 | QEA3335 | QEA3335 | Not used | QEA3336 | QEA3336 |
| | 6 | Cover | CEG1359 | CEG1359 | CEG1359 | CEG1356 | CEG1356 | CEG1356 |
| | 7 | Microphone Assy | CPM1109 | CPM1109 | CPM1109 | CPM1109 | CPM1109 | CPM1109 |
| | 8 | Holder | CZN7192 | CZN7192 | CZN7192 | CZN7192 | CZN7192 | CZN7192 |
| | 9 | Cushion | CZN7193 | CZN7193 | CZN7193 | CZN7193 | CZN7193 | CZN7193 |
| | 10 | Unit Box | QHG3868 | QHG4022 | QHG3873 | QHG3869 | QHG3871 | QHG3872 |
| | 11 | Contain Box | QHL3868 | QHL4022 | QHL3873 | QHL3869 | QHL3871 | QHL3872 |
| | 12 | Protector | QHP3044 | QHP3044 | QHP3044 | QHP3045 | QHP3045 | QHP3044 |
| | 13 | | | | | | | |
| | 14 | Card Remote Control Unit | QXE1044 | QXE1044 | QXE1044 | Not used | QXE1044 | QXE1044 |
| | 15-1 | Owner's Manual | QRD3341 | QRD3341 | QRD3341 | QRD3340 | QRD3342 | QRB3538 |
| * | 15-2 | Warranty Card | QRY3001 | QRY3001 | QRY3001 | CRY1376 | Not used | CRY1304 |
| * | 15-3 | Caution Card | Not used | Not used | CRP1386 | Not used | Not used | Not used |
| | 16 | | | | | | | |
| | 17 | Handle | Not used | Not used | Not used | CND6289 | CND6289 | Not used |

Owner's Manual, Installation Manual

| Part No. | Language |
|----------|--|
| QRD3340 | English, French, Italian, Spanish(Espanol), German, Dutch, Russian |
| QRD3341 | English, French, Spanish(Espanol) |
| QRD3342 | English, Spanish(Espanol), Portuguese(B), Traditional Chinese, Arabic, Persian |
| QRB3538 | English |

9.2 EXTERIOR (1)

1

2

3

4

A

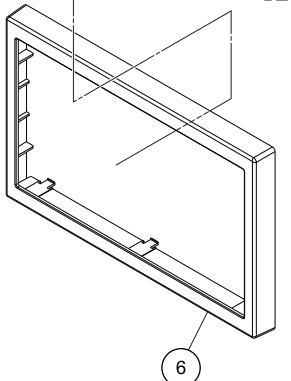
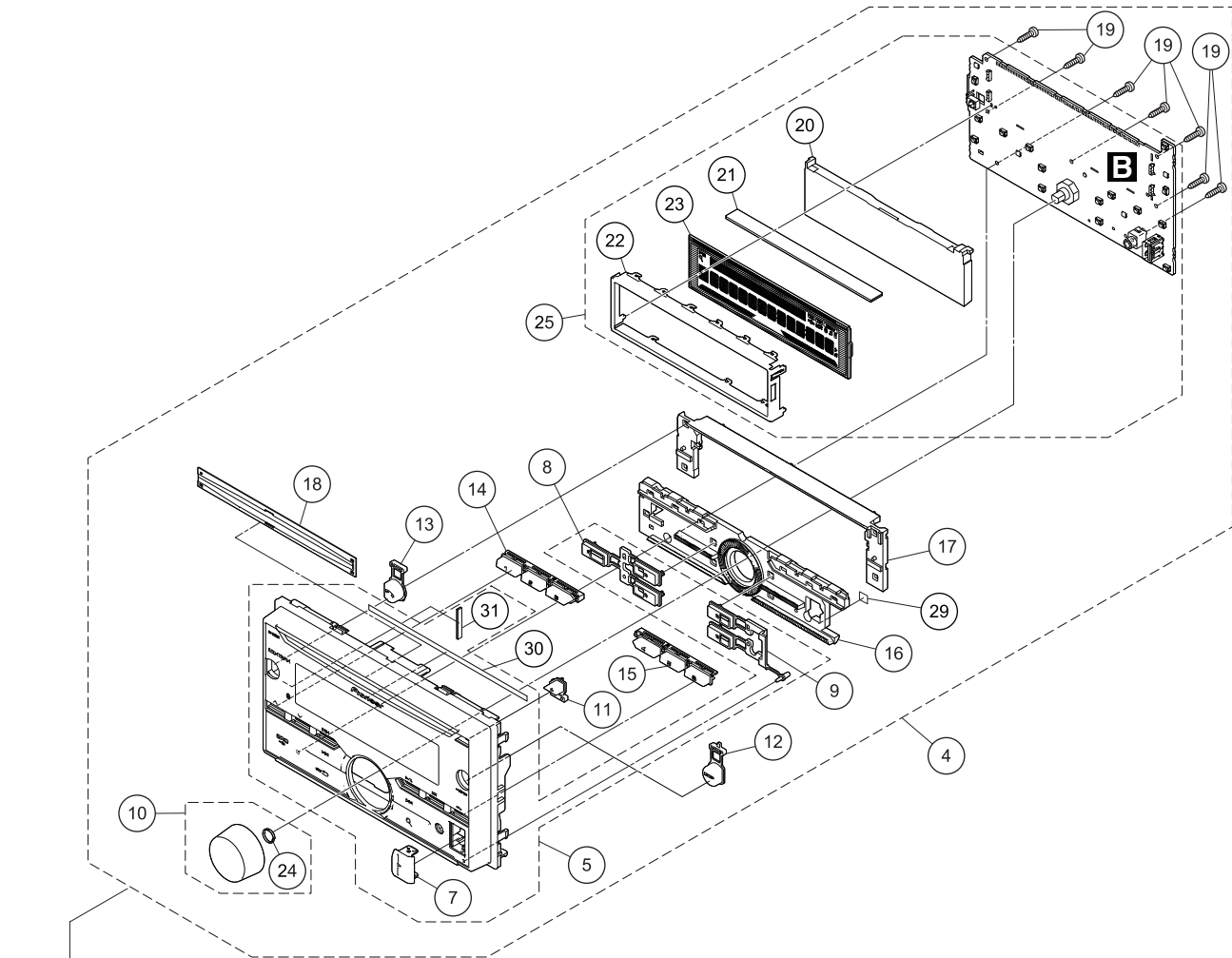
B

C

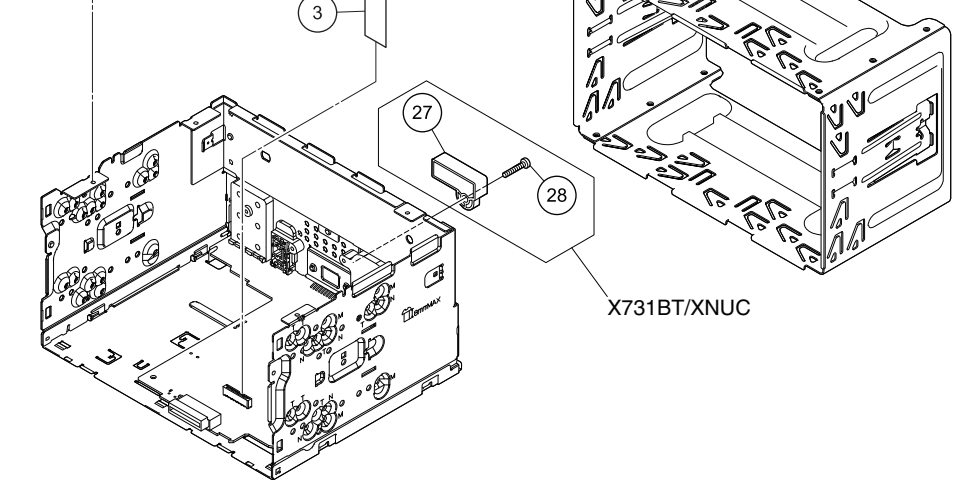
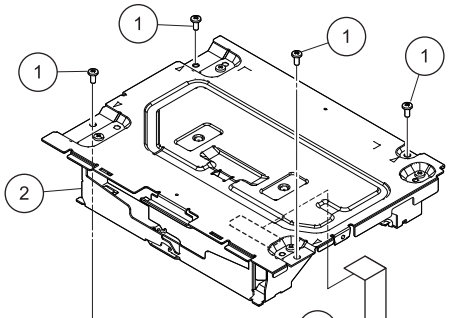
D

E

F



X730BT/XNEW5
X785BT/XNES



X731BT/XNUC

X730BT/XNEW5
X785BT/XNES

1

2

3

4

(1) EXTERIOR (1) SECTION PARTS LIST

| <u>Mark No.</u> | <u>Description</u> | <u>Part No.</u> | <u>Mark No.</u> | <u>Description</u> | <u>Part No.</u> |
|-----------------|----------------------------------|------------------------|-----------------|--------------------|------------------------|
| 1 | Screw | BSZ26P060FTC | 17 | Lighting Conductor | QNV3124 |
| 2 | CD Mechanism Module(S11.6STD-FH) | CXK5806 | 18 | Cover | QNM3151 |
| 3 | Cable | QDE3029 | 19 | Screw | BPZ20P100FTC |
| 4 | Grille Assy | See Contrast table (2) | 20 | Lighting Conductor | QNV3123 |
| 5 | Grille Unit | See Contrast table (2) | | | |
| 6 | Panel | See Contrast table (2) | 21 | Rubber Connector | QNV3125 |
| 7 | Door | QAT3022 | 22 | Holder | QNC3121 |
| 8 | Button | QAC3235 | 23 | Segment LCD(V1801) | CAW2058 |
| 9 | Button | QAC3236 | * 24 | Spring | YBL5010 |
| 10 | Knob Unit | QXA4278 | 25 | Keyboard Unit | QWM4168 |
| 11 | Button(EJECT) | QAC3230 | 26 | Holder | See Contrast table (2) |
| 12 | Button(DISP) | QAC3231 | 27 | Holder | See Contrast table (2) |
| 13 | Button(PHONE) | QAC3232 | 28 | Screw | See Contrast table (2) |
| 14 | Button(1-3) | QAC3233 | 29 | Sheet | QNM3145 |
| 15 | Button(4-6) | QAC3234 | 30 | Sheet | QNM3149 |
| 16 | Lighting Conductor | QNV3122 | 31 | Cushion | QNM3152 |

(2) CONTRAST TABLE

FH-X830BHS/XNUC, FH-X730BS/XNUC, FH-X731BT/XNUC, FH-X730BT/XNEW5, FH-X785BT/XNES and FH-X789BT/XNID are constructed the same except for the following:

| Mark | No. | Description | FH-X830BHS/ XNUC | FH-X730BS/ XNUC | FH-X731BT/ XNUC | FH-X730BT/ XNEW5 | FH-X785BT/ XNES | FH-X789BT/ XNID |
|------|-----|-------------|---------------------|--------------------|--------------------|---------------------|--------------------|--------------------|
| | 4 | Grille Assy | QXA4603 | QXA4611 | QXA4606 | QXA4604 | QXA4607 | QXA4608 |
| | 5 | Grille Unit | QXA4616 | QXA4625 | QXA4619 | QXA4617 | QXA4620 | QXA4621 |
| | 6 | Panel | Not used | Not used | Not used | QNS4003 | QNS4003 | Not used |
| | 26 | Holder | Not used | Not used | Not used | CND7102 | CND7102 | Not used |
| | 27 | Holder | Not used | Not used | CNV7619 | Not used | Not used | Not used |
| | 28 | Screw | Not used | Not used | BSZ30P160FTC | Not used | Not used | Not used |

(1) EXTERIOR (2) SECTION PARTS LIST

| <u>Mark No.</u> | <u>Description</u> | <u>Part No.</u> | <u>Mark No.</u> | <u>Description</u> | <u>Part No.</u> |
|-----------------|----------------------|------------------------|-----------------|--------------------------|------------------------|
| 1 | Cord Assy | See Contrast table (2) | 14 | Tuner Amp Unit | See Contrast table (2) |
| 2 | Screw | ASZ26P050FTC | 15 | Screw | BPZ26P080FTC |
| 3 | Screw | BSZ26P060FTC | | | |
| 4 | Shield Case | QNC3107 | 16 | Holder | See Contrast table (2) |
| 5 | Screw | BSZ26P120FTC | 17 | Screw | BSZ26P120FTC |
| | | | 18 | Holder | See Contrast table (2) |
| 6 | BE Core Unit(U951) | See Contrast table (2) | 19 | Heat Sink | See Contrast table (2) |
| 7 | Case | QNB3034 | △ 20 | Fuse (10 A) | YEK5001 |
| 8 | Holder | QNC3057 | | | |
| 9 | Bracket | QNC3093 | 21 | Card Remote Control Unit | See Contrast table (2) |
| 10 | Bracket | QNC3094 | 22 | Cover | See Contrast table (2) |
| | | | 23 | Heat Conductor Sheet | See Contrast table (2) |
| 11 | Heat Conductor Sheet | QNM3164 | 24 | Gasket | QNM3174 |
| 12 | Heat Conductor Sheet | QNM3165 | | | |
| 13 | Heat Conductor Sheet | QNM3135 | | | |

(2) CONTRAST TABLE

FH-X830BHS/XNUC, FH-X730BS/XNUC, FH-X731BT/XNUC, FH-X730BT/XNEW5, FH-X785BT/XNES and FH-X789BT/XNID are constructed the same except for the following:

| Mark | No. | Description | FH-X830BHS/ XNUC | FH-X730BS/ XNUC | FH-X731BT/ XNUC | FH-X730BT/ XNEW5 | FH-X785BT/ XNES | FH-X789BT/ XNID |
|------|-----|--------------------------|---------------------|--------------------|--------------------|---------------------|--------------------|--------------------|
| | 1 | Cord Assy | CDP1484 | CDP1484 | CDP1484 | QDP3072 | CDP1484 | CDP1484 |
| | 6 | BE Core Unit(U951) | CWE2518 | Not used | Not used | Not used | Not used | Not used |
| | 14 | Tuner Amp Unit | QWM4161 | QWM4163 | QWM4173 | QWM4162 | QWM4164 | QWM4165 |
| | 16 | Holder | CND7288 | Not used | Not used | Not used | Not used | Not used |
| | 18 | Holder | QNC3112 | QNC3112 | QNC3113 | QNC3113 | QNC3113 | QNC3113 |
| | 19 | Heat Sink | QNR3010 | QNR3010 | QNR3010 | QNR3010 | QNR3002 | QNR3002 |
| | 21 | Card Remote Control Unit | QXE1044 | QXE1044 | QXE1044 | Not used | QXE1044 | QXE1044 |
| | 22 | Cover | CNS7068 | CNS7068 | CNS7068 | Not used | CNS7068 | CNS7068 |
| | 23 | Heat Conductor Sheet | Not used | Not used | Not used | Not used | Not used | QNM3130 |

5 6 7 8
CD MECHANISM MODULE SECTION PARTS LIST

| <u>Mark No.</u> | <u>Description</u> | <u>Part No.</u> | <u>Mark No.</u> | <u>Description</u> | <u>Part No.</u> |
|-----------------|-----------------------------|-----------------|-----------------|--------------------------|-----------------|
| 1 | | | 50 | Damper | CNW1198 |
| 2 | Screw | BSZ20P040FTC | 51 | Arm | CNW1726 |
| 3 | Screw(M2 x 4) | CBA1835 | 52 | Motor Unit(M2)(LOAD/CRG) | CXC4026 |
| 4 | Washer | CBF1038 | 53 | Screw Unit | CXC8894 |
| 5 | Spring | CBH3010 | 54 | Arm Assy | CXE6232 |
| 6 | Spring | CBH2855 | 55 | Washer | CBF1037 |
| 7 | Spring | CBH2856 | 56 | Washer | CBF1038 |
| 8 | Spring | CBH2860 | 57 | Arm | CND6242 |
| 9 | Screw | BSZ26P060FTC | 58 | Collar | CNW2444 |
| 10 | Spring | CBH3011 | 59 | Roller | CNW2500 |
| 11 | Coil Spring | CBH3095 | 60 | Gear Unit | CXE6225 |
| 12 | Spring | CBH3014 | 61 | Washer | YE15FTC |
| 13 | Spring | CBH3015 | 62 | Chassis Unit | CXE4528 |
| 14 | Spring | CBH3016 | 63 | Motor Unit(M1)(SPDL) | CXE2273 |
| 15 | Spring | CBH3017 | 64 | Screw | JFZ20P025FTC |
| 16 | Spring | CBH3086 | 65 | Screw | JGZ17P022FTC |
| 17 | Spring | CBH3019 | 66 | Screw | EBA1028 |
| 18 | | | 67 | CD Core Unit (S11.6STD) | CWX4023 |
| 19 | Leaf Spring | CBL1824 | 68 | Case | CNB3762 |
| 20 | Pickup Unit(P10.6)(Service) | CXX3556 | | | |
| 21 | Bracket | CND4553 | | | |
| 22 | Arm | CND6406 | | | |
| 23 | Bracket | CND6127 | | | |
| 24 | Bracket | CND5710 | | | |
| 25 | Lever | CND6834 | | | |
| 26 | Sheet | CNN3678 | | | |
| 27 | Rack | CNV8342 | | | |
| 28 | Guide | CNW3489 | | | |
| 29 | Roller | CNW1172 | | | |
| 30 | | | | | |
| 31 | Arm | CNW2241 | | | |
| 32 | Roller | CNW1175 | | | |
| 33 | | | | | |
| 34 | Arm | CNW1177 | | | |
| 35 | Arm | CNW1178 | | | |
| 36 | Gear | CNW1180 | | | |
| 37 | Gear | CNW1181 | | | |
| 38 | | | | | |
| 39 | Gear | CNW1183 | | | |
| 40 | Rack | CNW1184 | | | |
| 41 | Gear | CNW1185 | | | |
| 42 | Gear | CNW1186 | | | |
| 43 | Gear | CNW1187 | | | |
| 44 | Gear | CNW2287 | | | |
| 45 | Clamper | CNW1190 | | | |
| 46 | Arm | CNW1192 | | | |
| 47 | Holder | CNW1193 | | | |
| 48 | Holder | CNW1194 | | | |
| 49 | Damper | CNW1197 | | | |

12. ELECTRICAL PARTS LIST

NOTE:

- Parts whose parts numbers are omitted are subject to being not supplied.
- The part numbers shown below indicate chip components.
Chip Resistor
RS1/○S○○○○J,RS1/○○S○○○J
Chip Capacitor (except for CQS.....)
CKS....., CCS....., CSZS.....
- Parts marked by " * " are generally unavailable because they are not in our Master Spare Parts List.
- The \triangle mark found on some component parts indicates the importance of the safety factor of the part. Therefore, when replacing, be sure to use parts of identical designation.
- The expression of the unit in this manual is shown by *u* instead of μ . Please do not make a mistake.

| <u>Circuit Symbol and No.</u> | <u>Part No.</u> | <u>Circuit Symbol and No.</u> | <u>Part No.</u> |
|---|-----------------------|-------------------------------|---|
| A:FH-X830BHS/XNUC | | IC 423 | Regulator IC(A) S-1172B12-E6 |
| B:FH-X730BS/XNUC | | * IC501 | Microprocessor IC STA1080 |
| C:FH-X731BT/XNUC | | IC 502 | IC S-80827CNMC-B8M |
| D:FH-X730BT/XNEW5 | | IC 503 | L-MOS And Gate(A,B) TC7SET08FUS1 |
| E:FH-X785BT/XNES | | IC 504 | IC(A,B) TC7SH126FU |
| F:FH-X789BT/XNID | | IC 701 | IC 337S3959 |
| Unit Number : QWM4161(A) | | IC 702 | RAM IC M12L128168A-5TG2N |
| Unit Number : QWM4163(B) | | IC 731 | ROM IC M95512-RMN6P |
| Unit Number : QWM4173(C) | | IC 741 | IC(A) QWW4080 |
| Unit Number : QWM4162(D) | | IC 741 | IC(B,C) QWW4081 |
| Unit Number : QWM4164(E) | | IC 741 | IC(D,E,F) QWW4078 |
| Unit Number : QWM4165(F) | | IC 742 | IC MX25L1636EM2I-08G |
| Unit Name : Tuner Amp Unit | | IC 751 | E-VOL System LSI PM9015A |
| Unit Number : QWX4023 | | IC 851 | Tuner IC(A) TEF6688HN-V102 |
| Unit Name : Keyboard Unit | | IC 851 | Tuner IC(Except A) TEF6686HN-V102 |
| Unit Number : CWX4023 | | IC 1301 | Power Amp IC(Except E) PAL013B |
| Unit Name : CD Core Unit(S11.6STD) | | IC 1301 | Power Amp IC(E) PA2032A |
| | | Q 111 | Bipolar Transistor LSCR523UB |
| | | Q 121 | Resistor Built-in Transistor LTC014EEB |
| | | Q 141 | Bipolar Transistor LSCR523UB |
| | | Q 142 | Bipolar Transistor LSCR523UB |
| | | Q 201 | Bipolar Transistor LSCR523UB |
| | | Q 202 | FET SSM3J332R |
| | | Q 203 | Power MOS FET RRR040P03 |
| | | Q 441 | Transistor 2SAR502UB |
| | | Q 442 | Resistor Built-in Transistor LTC023YEB |
| | | Q 481 | Transistor 2SAR502UB |
| | | Q 482 | Resistor Built-in Transistor LTC043EEB |
| | | Q 701 | Bipolar Transistor LSAR523UB |
| | | Q 851 | Bipolar Transistor(A) MMBT2369L |
| | | Q 852 | Bipolar Transistor(A) MMBT2369L |
| | | Q 853 | Bipolar Transistor(A) MMBT2369L |
| | | Q 854 | Bipolar Transistor(A) MMBT2369L |
| | | Q 1241 | Transistor EMH53 |
| | | Q 1242 | Transistor EMH53 |
| | | Q 1243 | Transistor EMH53 |
| | | Q 1276 | Transistor(E,F) EMD53 |
| | | Q 1301 | Transistor EMD52 |
| | | D 101 | Diode D1F60-5053 |
| | | D 102 | Diode D1F60-5053 |
| | | D 111 | Diode(Except D) DZ2J068M0 |
| | | D 111 | Diode(D) DZ2J075M0 |
| | | D 121 | Diode CRG03 |
| MISCELLANEOUS | | | |
| IC 201 | Power supply IC | BD49101AEFS | |
| IC 202 | Power supply IC | BD2232G-G | |
| IC 301 | DC/DC Converter IC(A) | KBD9876EFJ | |
| IC 422 | Regulator IC(A) | MM3411A33N | |

1

Circuit Symbol and No.

2

Part No.

3

Circuit Symbol and No.

4

Part No.

| | | | | | |
|--------|-------------------------|---------------|---------|-----------------------------|--------------------|
| D 141 | Diode | DZ2J075M0 | X 501 | Resonator 24 MHz | CSS1773 |
| D 201 | Schottky Diode | RB162M-40 | X 502 | Resonator 32.768 kHz | CSS1807 |
| D 202 | Diode | RR264MM-400TF | X 751 | Crystal Resonator 18.432MHz | CSS1826 |
| A | | | | | |
| D 203 | Diode | RB056L-40 | X 851 | Crystal Resonator | CSS1868 |
| D 206 | Schottky Diode | CMS30I30A | P 401 | Poly Switch(A,B) | FSMD110-24R |
| D 207 | Schottky Diode | RB751SM-40 | P 852 | Surge Absorber | IMSA-6803-01Y900 |
| D 208 | Diode | DZ2S068C | P 1243 | Poly Switch | FSMD075-24R |
| D 210 | Diode | DZ2S068C | P 1276 | Poly Switch | FSMD075-24R |
| D 301 | Diode(A) | RB056L-40 | VA321 | SMD Varistor | MLV0402ES012V0010N |
| D 302 | Diode(A) | RB060M-30 | VA1101 | SMD Varistor | MLV0402ES012V0010N |
| D 422 | Diode(A) | RR264MM-400TF | VA1201 | SMD Varistor | MLV0402ES012V0010N |
| D 423 | Diode(A) | RR264MM-400TF | VA1202 | SMD Varistor | MLV0402ES012V0010N |
| D 424 | Diode(A) | RR264MM-400TF | U 951 | BE Core Unit(A) | CWE2518 |
| B | | | | | |
| D 425 | Diode(A) | RR264MM-400TF | U 1001 | BT Module | CWX4751 |
| D 501 | Schottky Diode(A,B,C,D) | RB751SM-40 | CN1101 | Connector | VKN1192 |
| D 502 | Schottky Diode(A,B,C,D) | RB751SM-40 | CN1201 | Connector | CKS6452 |
| D 504 | Diode | EZAEG2A50AX | JA 101 | Plug | CKM1624 |
| D 505 | Diode | EZAEG2A50AX | JA 851 | Antenna Jack | CKX1104 |
| D 1102 | Diode | DZ2S068C | JA 1231 | Connector(A,B) | CKS3806 |
| D 1201 | Diode | DZ2S068C | JA 1241 | Jack | CKB1113 |
| D 1206 | Diode | DZ2S068C | JA 1276 | Jack | CKN1103 |
| D 1207 | Diode | DZ2S068C | | | |
| D 1208 | Diode | DZ2S068C | | | |
| | | | | RESISTORS | |
| C | | | | | |
| D 1209 | Diode | DZ2S068C | R 111 | | RS1/16SS223J |
| D 1210 | Diode | DZ2S068C | R 112 | | RS1/16SS473J |
| D 1293 | Rectifier Diode | DAN202UM | R 113 | (Except D) | RS1/16SS682J |
| D 1301 | Diode(Except E) | CRG03 | R 113 | (D) | RS1/16SS333J |
| D 1302 | Diode | CRG03 | R 114 | (Except D) | RS1/4SA102J |
| L 101 | Choke Coil | CTH1620 | R 114 | (D) | RS1/4SA122J |
| L 201 | SMD SPL Inductor | CTH1521 | R 121 | | RS1/16SS103J |
| L 202 | SMD SPL Inductor | CTH1524 | R 123 | | RS1/4SA102J |
| L 301 | SMD SPL Inductor(A) | CTH1584 | R 141 | | RS1/16SS104J |
| L 401 | Inductor | CTF1793 | R 142 | | RS1/16SS473J |
| L 502 | Inductor | CTF1645 | R 143 | | RS1/16SS103J |
| L 503 | Chip Beads | VTL1133 | R 144 | | RS1/16SS472J |
| D | | | | | |
| L 504 | Chip Beads | VTL1133 | R 145 | | RS1/16SS0R0J |
| L 505 | Chip Beads | VTL1133 | R 202 | | RS1/16SS3303D |
| L 854 | Inductor | LCMAR27J1608 | R 207 | | RS1/16SS222J |
| L 855 | Inductor | CTF1786 | R 208 | | RS1/16SS472J |
| L 856 | Inductor(A,B,C,D) | CTF1389 | R 209 | | RS1/4SA472J |
| L 857 | Inductor(E,F) | ATL7033 | R 210 | | RS1/16SS103J |
| L 858 | Chip Coil(E,F) | LCTAWR27J2520 | R 214 | | RS1/16SS102J |
| L 859 | Chip Coil(E,F) | LCTAW3R3J2520 | R 215 | | RS1/16SS2403D |
| L 860 | Inductor(A,B,C,D) | LCYC150K1608 | R 216 | | RS1/16SS7502D |
| L 1001 | Inductor | CTF1786 | R 217 | | RS1/16SS4303D |
| L 1101 | Inductor | CTF1389 | R 218 | | RS1/16SS4303D |
| E | | | | | |
| L 1102 | Chip Beads | VTL1133 | R 219 | | RS1/16SS104J |
| L 1103 | Chip Beads | VTL1133 | R 220 | | RS1/16SS3903D |
| L 1104 | Chip Beads | VTL1133 | R 221 | | RS1/16SS6202D |
| L 1276 | Chip Beads | VTL1126 | R 222 | | RS1/16SS6802D |
| L 1277 | Chip Beads | VTL1126 | R 223 | 0.02 ohm | CCN1401 |
| L 1278 | Chip Beads | VTL1126 | R 224 | | RS1/16SS6802D |
| L 1279 | Chip Beads | VTL1126 | R 225 | | RS1/16SS102J |
| L 1292 | Chip Beads | VTL1126 | R 226 | | RS1/16SS1203D |
| L 1293 | Chip Beads | VTL1126 | R 227 | | RS1/16SS1802D |
| L 1294 | Chip Beads | VTL1126 | R 229 | | RS1/16SS3902D |
| L 1295 | Chip Beads | VTL1126 | R 230 | | RS1/16SS682J |
| F | | | | | |
| L 1296 | Chip Beads | VTL1126 | R 231 | | RS1/16SS4703D |
| L 1297 | Chip Beads | VTL1126 | R 232 | | RS1/16SS1503D |
| T 851 | Variable Coil | CTC1215 | R 233 | | RS1/16SS1003D |

1

2

3

4

| 5 | | 6 | | 7 | | 8 | |
|-------------------------------|-------|-----------------|--|-------------------------------|------------|-----------------|---|
| <u>Circuit Symbol and No.</u> | | <u>Part No.</u> | | <u>Circuit Symbol and No.</u> | | <u>Part No.</u> | |
| R 234 | | RS1/16SS7503D | | R 534 | | RS1/10SR103J | |
| R 235 | | RS1/16SS1603D | | R 537 | | RS1/16SS473J | |
| R 236 | | RS1/16SS102J | | R 538 | (A,B,D) | RS1/16SS472J | |
| R 237 | | RS1/16SS102J | | R 538 | (C) | RS1/16SS473J | A |
| R 238 | | RS1/16SS102J | | R 538 | (E) | RS1/16SS103J | |
| R 239 | | RS1/16SS101J | | R 538 | (F) | RS1/16SS223J | |
| R 240 | | RS1/16SS221J | | R 539 | (C) | RS1/16SS223J | |
| R 241 | | RS1/16SS121J | | R 539 | (E,F) | RS1/16SS473J | |
| R 242 | | RS1/16SS6801F | | R 540 | | RS1/16SS103J | |
| R 243 | | RS1/16SS393J | | R 541 | | RS1/16SS103J | |
| R 244 | | RS1/16SS103J | | R 546 | | RS1/16SS103J | |
| R 245 | | RS1/8SQ0R0J | | R 547 | | RS1/16SS473J | |
| R 248 | | RS1/16SS332J | | R 548 | | RS1/16SS102J | |
| R 250 | | RS1/10SR471J | | R 550 | | RS1/16SS103J | |
| R 256 | | RS1/16SS0R0J | | R 551 | | RS1/16SS103J | B |
| R 260 | | RS1/16SS473J | | R 554 | | RS1/16SS222J | |
| R 263 | | RS1/10SR471J | | R 555 | | RS1/16SS0R0J | |
| R 264 | | RS1/10SR0R0J | | R 557 | | RS1/16SS221J | |
| R 268 | | RS1/10SR0R0J | | R 558 | | RS1/16SS221J | |
| R 269 | | RS1/16SS101J | | R 559 | | RS1/16SS221J | |
| R 301 | (A) | RS1/10SR471J | | R 560 | | RS1/16SS473J | |
| R 303 | (A) | RS1/16SS1803D | | R 561 | | RS1/16SS103J | |
| R 304 | (A) | RS1/16SS4302D | | R 563 | | RS1/16SS0R0J | |
| R 305 | (A) | RS1/16SS682J | | R 564 | | RS1/16SS472J | |
| R 306 | (A) | RS1/16SS0R0J | | R 565 | | RS1/16SS0R0J | C |
| R 322 | | RS1/16SS0R0J | | R 566 | | RAB4CQ473J | |
| R 323 | (A) | RS1/16SS102J | | R 570 | | RS1/16SS221J | |
| R 404 | (A,B) | RS1/10SR0R0J | | R 571 | | RS1/16SS221J | |
| R 406 | | RS1/16SS183J | | R 573 | | RS1/16SS473J | |
| R 422 | (A) | RS1/16SS102J | | R 574 | | RS1/16SS473J | |
| R 441 | | RS1/16SS103J | | R 575 | | RS1/16SS473J | |
| R 442 | | RS1/10SR221J | | R 576 | | RS1/16SS473J | |
| R 481 | | RS1/16SS471J | | R 577 | | RS1/16SS473J | |
| R 482 | | RS1/16SS103J | | R 578 | | RS1/16SS473J | |
| R 503 | | RS1/16SS222J | | R 579 | | RS1/16SS473J | |
| R 504 | | RS1/16SS222J | | R 580 | | RS1/16SS473J | D |
| R 506 | | RS1/16SS473J | | R 581 | | RS1/16SS472J | |
| R 507 | | RS1/16SS473J | | R 584 | | RS1/16SS102J | |
| R 508 | | RS1/16SS473J | | R 586 | | RS1/16SS103J | |
| R 509 | | RS1/16SS473J | | R 587 | | RS1/16SS0R0J | |
| R 510 | | RS1/16SS473J | | R 591 | | RS1/16SS361J | |
| R 511 | | RS1/16SS473J | | R 595 | | RS1/16SS0R0J | |
| R 512 | | RS1/16SS101J | | R 596 | | RS1/16SS0R0J | |
| R 513 | | RS1/16SS222J | | R 597 | | RS1/16SS102J | |
| R 514 | | RS1/16SS221J | | R 599 | | RS1/16SS102J | |
| R 515 | | RS1/16SS221J | | R 610 | (Except A) | RS1/16SS473J | |
| R 516 | | RS1/16SS221J | | R 611 | | RS1/16SS472J | E |
| R 517 | | RS1/16SS221J | | R 612 | | RS1/16SS473J | |
| R 518 | | RS1/16SS472J | | R 614 | | RS1/16SS473J | |
| R 519 | | RS1/16SS271J | | R 615 | | RS1/16SS103J | |
| R 520 | (A) | RS1/16SS472J | | R 617 | | RS1/16SS473J | |
| R 522 | | RS1/16SS0R0J | | R 619 | | RS1/16SS473J | |
| R 524 | | RS1/16SS3001D | | R 620 | | RS1/16SS0R0J | |
| R 525 | | RS1/16SS103J | | R 622 | | RS1/16SS0R0J | |
| R 526 | | RS1/16SS1213F | | R 627 | | RS1/16SS153J | |
| R 529 | | RS1/16SS0R0J | | R 628 | | RS1/16SS153J | |
| R 530 | | RS1/16SS0R0J | | R 629 | | RS1/16SS472J | |
| R 531 | | RS1/16SS222J | | R 630 | | RS1/16SS101J | F |
| R 532 | | RS1/16SS102J | | R 631 | | RS1/16SS221J | |
| R 533 | | RS1/10SR103J | | R 632 | | RS1/16SS101J | |

1

2

3

4

Circuit Symbol and No.Part No.Circuit Symbol and No.Part No.

| | | | | | |
|---|-------|--------------|--------|-----------|--------------|
| | R 633 | RS1/16SS101J | R 744 | | RS1/16SS330J |
| | R 634 | RS1/16SS101J | R 745 | | RS1/16SS330J |
| | R 635 | RS1/16SS101J | R 746 | | RS1/16SS103J |
| A | R 636 | RS1/16SS101J | R 747 | | RS1/16SS330J |
| | R 637 | RS1/16SS221J | R 748 | | RS1/16SS330J |
| | R 638 | RS1/16SS221J | R 749 | | RS1/16SS330J |
| | R 639 | RS1/16SS101J | R 750 | | RS1/16SS103J |
| | R 640 | RS1/16SS101J | R 753 | | RS1/16SS0R0J |
| | R 642 | RS1/16SS0R0J | R 754 | | RS1/16SS105J |
| | R 643 | RS1/16SS101J | R 755 | | RS1/16SS471J |
| | R 644 | RS1/16SS102J | R 758 | | RS1/10SR221J |
| | R 645 | RS1/16SS101J | R 798 | (A,B,C,D) | RS1/10SR0R0J |
| | R 646 | RS1/16SS102J | R 799 | (E,F) | RS1/16SS0R0J |
| B | R 647 | RS1/16SS102J | R 800 | | RS1/16SS0R0J |
| | R 648 | RS1/16SS102J | R 810 | | RS1/10SR0R0J |
| | R 649 | RS1/16SS102J | R 851 | | RS1/16SS105J |
| | R 650 | RS1/16SS121J | R 852 | | RS1/16SS105J |
| | R 651 | RS1/16SS102J | R 853 | (A,B,C,D) | RS1/16SS391J |
| | R 652 | RS1/16SS101J | R 853 | (E,F) | RS1/16SS101J |
| | R 653 | RS1/16SS102J | R 860 | (A) | RS1/16SS0R0J |
| | R 654 | RS1/16SS102J | R 861 | (A) | RS1/16SS0R0J |
| | R 655 | RS1/16SS102J | R 862 | (A) | RS1/16SS0R0J |
| | R 657 | RS1/4SA0R0J | R 864 | | RS1/16SS103J |
| C | R 658 | RS1/4SA0R0J | R 865 | (A) | RS1/16SS332J |
| | R 659 | RS1/10SR0R0J | R 866 | (A) | RS1/16SS182J |
| | R 672 | RS1/16SS101J | R 868 | | RS1/16SS103J |
| | R 701 | RS1/16SS103J | R 869 | (A) | RS1/16SS0R0J |
| | R 702 | RS1/16SS472J | R 870 | | RS1/16SS101J |
| | R 703 | RS1/16SS101J | R 871 | (A) | RS1/16SS102J |
| | R 704 | RS1/16SS101J | R 872 | (A) | RS1/16SS121J |
| | R 705 | RS1/16SS222J | R 873 | | RS1/16SS472J |
| | R 706 | RS1/16SS222J | R 874 | | RS1/16SS101J |
| | R 707 | RS1/16SS472J | R 875 | | RS1/16SS472J |
| | R 708 | RS1/16SS272J | R 876 | (A) | RS1/16SS121J |
| | R 709 | RS1/16SS473J | R 877 | (A) | RS1/16SS121J |
| D | R 710 | RS1/16SS0R0J | R 878 | (A) | RS1/16SS121J |
| | R 711 | RS1/16SS0R0J | R 879 | (A) | RS1/16SS121J |
| | R 714 | RAB4CQ121J | R 881 | (A) | RS1/16SS332J |
| | R 715 | RAB4CQ121J | R 882 | (A) | RS1/16SS182J |
| | R 716 | RAB4CQ121J | R 883 | (A) | RS1/16SS102J |
| | R 717 | RAB4CQ121J | R 884 | (A) | RS1/16SS121J |
| | R 718 | RAB4CQ121J | R 890 | | RS1/16SS0R0J |
| | R 719 | RAB4CQ121J | R 891 | | RS1/10SR0R0J |
| | R 720 | RAB4CQ121J | R 952 | (A) | RS1/16SS101J |
| | R 721 | RAB4CQ121J | R 953 | (A) | RS1/16SS101J |
| | R 722 | RAB4CQ121J | R 954 | (A) | RS1/16SS101J |
| E | R 724 | RS1/16SS121J | R 955 | (A) | RS1/16SS101J |
| | R 728 | RS1/10SR0R0J | R 957 | (A) | RS1/16SS101J |
| | R 729 | RS1/10SR0R0J | R 958 | (A) | RS1/16SS101J |
| | R 730 | RS1/10SR0R0J | R 959 | (A) | RS1/16SS101J |
| | R 731 | RS1/16SS330J | R 960 | (A) | RS1/16SS101J |
| | R 732 | RS1/16SS330J | R 961 | (A) | RS1/10SR102J |
| | R 733 | RS1/16SS103J | R 962 | (A) | RS1/10SR221J |
| | R 734 | RS1/16SS103J | R 963 | (A) | RS1/10SR121J |
| | R 735 | RS1/16SS103J | R 966 | | RS1/10SR0R0J |
| | R 736 | RS1/16SS330J | R 968 | | RS1/10SR0R0J |
| | R 737 | RS1/16SS330J | R 970 | | RS1/4SA0R0J |
| F | R 741 | RS1/16SS330J | R 971 | | RS1/4SA0R0J |
| | R 742 | RS1/16SS103J | R 1001 | | RS1/16SS0R0J |
| | R 743 | RS1/16SS103J | R 1002 | | RS1/16SS221J |

1

2

3

4

| 5 | | 6 | | 7 | | 8 | |
|-------------------------------|--|-----------------|--|-------------------------------|---------------|-----------------|---|
| <u>Circuit Symbol and No.</u> | | <u>Part No.</u> | | <u>Circuit Symbol and No.</u> | | <u>Part No.</u> | |
| R 1004 | | RS1/16SS473J | | R 1246 | | RS1/16SS821J | |
| R 1005 | | RS1/16SS221J | | R 1247 | | RS1/16SS223J | |
| R 1006 | | RS1/16SS0R0J | | R 1248 | | RS1/16SS223J | |
| R 1007 | | RS1/16SS0R0J | | R 1249 | | RS1/16SS223J | A |
| R 1008 | | RS1/10SR0R0J | | R 1250 | | RS1/16SS223J | |
| R 1011 | | RS1/16SS0R0J | | R 1251 | | RS1/16SS223J | |
| R 1012 | | RS1/16SS221J | | R 1252 | | RS1/16SS223J | |
| R 1013 | | RS1/16SS0R0J | | R 1253 | | RS1/16SS0R0J | |
| R 1014 | | RS1/10SR0R0J | | R 1255 | | RS1/16SS0R0J | |
| R 1015 | | RS1/10SR0R0J | | R 1257 | | RS1/16SS0R0J | |
| R 1016 | | RS1/4SA0R0J | | R 1258 | | RS1/16SS0R0J | |
| R 1017 | | RS1/16SS473J | | R 1259 | | RS1/16SS0R0J | |
| R 1018 | | RS1/16SS473J | | R 1260 | | RS1/16SS0R0J | |
| R 1101 | | RS1/16SS104J | | R 1261 | | RS1/16SS0R0J | B |
| R 1104 | | RS1/16SS104J | | R 1262 | | RS1/16SS0R0J | |
| R 1105 | | RS1/16SS221J | | R 1263 | | RS1/10SR0R0J | |
| R 1106 | | RS1/16SS221J | | R 1277 (E,F) | | RS1/16SS471J | |
| R 1107 | | RS1/16SS101J | | R 1278 | | RS1/16SS102J | |
| R 1108 | | RS1/16SS221J | | R 1279 (E,F) | | RS1/16SS471J | |
| R 1109 | | RS1/16SS101J | | R 1280 | | RS1/16SS102J | |
| R 1110 | | RS1/16SS102J | | R 1281 | | RS1/16SS101J | |
| R 1112 | | RS1/16SS221J | | R 1282 | | RS1/16SS101J | |
| R 1113 | | RS1/16SS104J | | R 1284 | | RS1/10SR0R0J | |
| R 1114 | | RS1/16SS473J | | R 1286 | | RS1/16SS0R0J | |
| R 1115 | | RS1/16SS472J | | R 1287 | | RS1/16SS0R0J | C |
| R 1116 | | RS1/16SS472J | | R 1301 | | RS1/16SS103J | |
| R 1117 | | RS1/16SS472J | | R 1302 | | RS1/16SS223J | |
| R 1120 | | RS1/16SS151J | | R 1303 | | RS1/16SS221J | |
| R 1121 | | RS1/16SS151J | | R 1306 | | RS1/16SS103J | |
| R 1122 | | RS1/16SS151J | | R 1307 | | RS1/16SS0R0J | |
| R 1123 | | RS1/16SS0R0J | | R 1309 | | RS1/10SR0R0J | |
| R 1126 | | RS1/16SS0R0J | | R 1313 | | RS1/10SR0R0J | |
| R 1201 | | RS1/10SR0R0J | | R 1314 | | RS1/10SR0R0J | |
| R 1203 | | RS1/16SS223J | | <u>CAPACITORS</u> | | | |
| R 1204 | | RS1/16SS223J | | C 101 | 2 200 uF/16 V | CCH1405 | D |
| R 1205 | | RS1/10SR222J | | C 102 | | CKSRYB103K50 | |
| R 1206 | | RS1/10SR221J | | C 103 | | CKSSYB102K50 | |
| R 1207 | | RS1/10SR221J | | C 104 | | CKSSYB102K50 | |
| R 1208 | | RS1/10SR0R0J | | C 105 | | CKSSYB102K50 | |
| R 1209 | | RS1/10SR222J | | | | | |
| R 1210 | | RS1/10SR222J | | C 106 | | CKSSYB102K50 | |
| R 1211 | | RS1/10SR222J | | C 107 | | CKSSYB102K50 | |
| R 1212 | | RS1/10SR222J | | C 108 | | CKSSYB102K50 | |
| R 1213 | | RS1/16SS123J | | C 109 | | CKSSYB102K50 | |
| R 1214 | | RS1/10SR222J | | C 110 | | CKSSYB102K50 | |
| R 1215 | | RS1/10SR101J | | | | | |
| R 1217 | | RS1/16SS0R0J | | C 111 | | CKSRYB104K50 | E |
| R 1218 | | RS1/10SR0R0J | | C 122 | 1 uF | CCG1396 | |
| | | | | C 201 | | CCSSCH681J50 | |
| | | | | C 202 | | CEVW101M16 | |
| R 1231 (A,B) | | RS1/16SS181J | | C 203 | 10 uF | CCG1192 | |
| R 1232 (A,B) | | RS1/16SS181J | | | | | |
| R 1233 (A,B) | | RS1/16SS223J | | C 204 | | CEVQW221M6R3 | |
| R 1234 (A,B) | | RS1/16SS223J | | C 205 | 1 uF | CCG1396 | |
| R 1235 (A,B) | | RS1/16SS181J | | C 206 | 10 uF | CCG1236 | |
| | | | | C 208 | | CCSSCH471J50 | |
| R 1236 (A,B) | | RS1/16SS181J | | C 209 | | CCSSCH681J50 | |
| R 1237 (A,B) | | RAB4CQ102J | | | | | |
| R 1241 | | RS1/16SS821J | | C 210 | 2 200 uF/16 V | CCH1405 | |
| R 1242 | | RS1/16SS821J | | C 211 | 10 uF | CCG1192 | F |
| R 1243 | | RS1/16SS821J | | C 213 | 1 uF | CCG1396 | |
| | | | | C 214 | 10 uF | CCG1192 | |
| R 1244 | | RS1/16SS821J | | C 216 | 10 uF | CCG1236 | |
| R 1245 | | RS1/16SS821J | | | | | |

| | 1 | 2 | 3 | 4 |
|---|-------------------------------|-----------------|-------------------------------|-----------------|
| | <u>Circuit Symbol and No.</u> | <u>Part No.</u> | <u>Circuit Symbol and No.</u> | <u>Part No.</u> |
| | C 217 | CKSRYB105K10 | C 482 1 uF | DCH1246 |
| | C 218 10 uF | CCG1236 | C 502 | CKSSYB104K10 |
| | C 220 10 uF | CCG1236 | C 503 4.7 uF | CCG1212 |
| A | C 221 10 uF | CCG1236 | C 505 | CKSSYB104K10 |
| | C 222 | XCEVW221M10 | C 506 4.7 uF | CCG1212 |
| | C 223 | CCSSCH221J50 | C 507 4.7 uF | CCG1212 |
| | C 224 | CKSRYB105K10 | C 508 | CKSSYB104K10 |
| | C 225 | CKSRYB105K10 | C 509 4.7 uF | CCG1212 |
| | C 227 | CCSSCH391J50 | C 510 | CKSSYB104K10 |
| | C 228 | CCSSCH681J50 | C 511 4.7 uF | CCG1212 |
| | C 230 10 uF | CCG1192 | C 512 | CKSSYB104K10 |
| | C 231 | CKSRYB104K16 | C 513 4.7 uF | CCG1212 |
| | C 232 | CEVQW221M6R3 | C 514 | CKSSYB104K10 |
| | C 234 4.7 uF | CCG1212 | C 517 | CKSSYB104K10 |
| B | C 236 10 uF | CCG1236 | C 518 | CCSSCH100D50 |
| | C 238 22 uF | CCG1254 | C 519 | CCSSCH100D50 |
| | C 239 | CCSSCH100D50 | C 520 4.7 uF | CCG1212 |
| | C 240 | CCSSCH100D50 | C 521 | CKSSYB104K10 |
| | C 241 10 uF | CCG1192 | C 522 4.7 uF | CCG1212 |
| | C 242 | CEVW101M16 | C 523 4.7 uF | CCG1212 |
| | C 243 10 uF | CCG1236 | C 524 4.7 uF | CCG1212 |
| | C 245 | CKSRYB104K16 | C 525 10 uF | CCG1192 |
| | C 247 | CKSRYB105K10 | C 526 | CKSSYB103K16 |
| | C 248 1 uF | CCG1393 | C 527 10 uF | CCG1192 |
| | C 249 | CKSRYB105K10 | C 528 | CKSSYB103K16 |
| C | C 250 | CKSRYB105K10 | C 529 | CKSSYB104K10 |
| | C 251 | CKSRYB105K10 | C 530 4.7 uF | CCG1212 |
| | C 252 4.7 uF | CCG1212 | C 531 1 uF | DCH1246 |
| | C 253 1 uF | CCG1393 | C 532 1 uF | DCH1246 |
| | C 255 1 uF | DCH1246 | C 533 4.7 uF | CCG1212 |
| | C 257 10 uF | CCG1236 | C 534 | CKSSYB104K10 |
| | C 259 10 uF | CCG1192 | C 535 | XCEVW221M10 |
| | C 260 10 uF | CCG1192 | C 536 | CCSSCH101J50 |
| | C 261 | CKSSYB104K10 | C 537 | CKSSYB103K16 |
| | C 265 10 uF | CCG1236 | C 538 10 uF | CCG1192 |
| D | C 266 10 uF | CCG1236 | C 539 | CKSSYB103K16 |
| | C 270 4.7 uF | CCG1212 | C 540 10 uF | CCG1192 |
| | C 302 (A) | CEVQW221M6R3 | C 541 | CKSSYB222K50 |
| | C 303 1 uF(A) | DCH1246 | C 542 | CKSSYB104K10 |
| | C 304 (A) | CKSRYB105K10 | C 543 1 uF | DCH1246 |
| | C 305 4.7 uF(A) | CCG1212 | C 544 | CKSSYB473K16 |
| | C 306 (A) | CKSSYB682K25 | C 545 | CCSSCH100D50 |
| | C 308 (A) | CKSRYB103K50 | C 546 | CCSSCH120J50 |
| | C 309 10 uF(A) | CCG1236 | C 551 | CKSSYB104K10 |
| | C 311 1 uF(A) | CCG1396 | C 552 4.7 uF | CCG1212 |
| E | C 312 (A) | CEAT102M16 | C 553 10 uF | CCG1192 |
| | C 313 | CKSRYB102K50 | C 555 | CKSSYB103K16 |
| | C 315 | CKSRYB104K16 | C 556 | CKSSYB104K10 |
| | C 317 | CKSRYB105K10 | C 557 (A,B) | CKSSYB104K10 |
| | C 321 | CKSRYB105K10 | C 558 (A,B) | CKSSYB104K10 |
| | C 425 4.7 uF(A) | CCG1212 | C 559 | CKSQYB224K50 |
| | C 426 10 uF(A) | CCG1192 | C 560 | CKSSYB103K16 |
| | C 427 4.7 uF(A) | CCG1212 | C 565 | CCSRCH330J50 |
| | C 428 10 uF(A) | CCG1192 | C 566 | CCSRCH330J50 |
| | C 430 10 uF(A) | CCG1192 | C 569 | CCSSCH101J50 |
| | C 432 10 uF(A) | CCG1192 | C 573 | CCSRCH101J50 |
| | C 433 1 uF(A) | DCH1246 | C 574 | CCSSCH101J50 |
| | C 442 10 uF | CCG1192 | C 575 | CKSSYB104K10 |
| F | C 444 10 uF | CCG1192 | C 577 | CCSSCH101J50 |
| | C 481 | CEVQW470M6R3 | C 578 | CKSSYB104K10 |

| 5 | | 6 | 7 | | 8 |
|-------------------------------|---------|-----------------|-------------------------------|----------------|-----------------|
| <u>Circuit Symbol and No.</u> | | <u>Part No.</u> | <u>Circuit Symbol and No.</u> | | <u>Part No.</u> |
| C 579 | | CKSSYB104K10 | | | |
| C 580 | | CKSRYB104K16 | C 867 | | CKSSYB102K50 |
| C 586 | | CCSSCH102J50 | C 870 | | CCSSCH102J50 |
| C 701 | | CKSSYB104K10 | C 871 | | CKSSYB104K10 |
| C 702 | | CKSSYB104K10 | C 872 | | CKSSYB104K10 |
| | | | C 874 | | CCSSCH390J50 |
| C 711 | 4.7 uF | CCG1212 | | | |
| C 712 | 1 uF | DCH1246 | C 878 | | CKSSYB152K50 |
| C 713 | | CKSSYB104K10 | C 882 | 1 uF(Except A) | DCH1246 |
| C 714 | 1 uF | DCH1246 | C 885 | (A,E,F) | CKSSYB104K10 |
| C 715 | 1 uF | DCH1246 | C 886 | | CKSRYB102K50 |
| | | | C 887 | | CKSRYB104K50 |
| C 716 | 1 uF | DCH1246 | | | |
| C 718 | | CKSSYB104K10 | C 888 | (Except A) | CKSRYB104K16 |
| C 719 | | CKSSYB104K10 | C 889 | | CKSSYB104K10 |
| C 720 | 1 uF | DCH1246 | C 890 | 2.2 uF | CCG1205 |
| C 722 | | CKSSYB104K10 | C 891 | 2.2 uF | CCG1205 |
| | | | C 892 | | CKSRYB105K10 |
| C 724 | | CKSRYB102K50 | | | |
| C 730 | 10 uF | CCG1192 | C 954 | (A) | CCSSCH150J50 |
| C 731 | | CKSSYB104K10 | C 955 | (A) | CCSSCH150J50 |
| C 741 | 2.2 uF | CCG1205 | C 958 | 10 uF(A) | CCG1192 |
| C 742 | | CKSSYB104K10 | C 959 | (A) | CKSSYB104K10 |
| | | | C 960 | 10 uF(A) | CCG1192 |
| C 743 | | CKSSYB104K10 | | | |
| C 751 | (A,B) | CKSRYB105K10 | C 961 | (A) | CKSSYB104K10 |
| C 752 | (A,B) | CKSRYB105K10 | C 1003 | | CKSRYB104K16 |
| C 753 | | CKSRYB105K10 | C 1004 | | CKSRYB104K16 |
| C 754 | | CKSRYB105K10 | C 1101 | | CKSSYB103K16 |
| | | | C 1105 | 1 uF | DCH1246 |
| C 755 | | CKSRYB105K10 | | | |
| C 757 | | CKSRYB105K10 | C 1106 | 1 uF | DCH1246 |
| C 758 | | CKSRYB105K10 | C 1107 | | CKSRYB104K16 |
| C 759 | (A,B) | CKSRYB105K10 | C 1108 | | CKSRYB104K16 |
| C 760 | (A,B) | CKSRYB105K10 | C 1111 | | CKSSYB102K50 |
| | | | C 1201 | | CCSRCH102J50 |
| C 762 | | CEVQW470M6R3 | | | |
| C 763 | (D,E,F) | CKSSYB104K10 | C 1202 | | CKSRYB104K50 |
| C 764 | | CKSSYB104K10 | C 1203 | | CKSRYB104K16 |
| C 765 | | CCSSCH151J50 | C 1204 | | CKSRYB105K10 |
| C 766 | | CCSSCH151J50 | C 1205 | | CCSRCH221J50 |
| C 767 | | CEVQW470M6R3 | C 1206 | | CCSRCH221J50 |
| | | | | | |
| C 768 | | CEVQW470M6R3 | C 1207 | | CKSRYB474K10 |
| C 771 | 10 uF | CCG1192 | C 1210 | | CKSRYB105K10 |
| C 772 | | CKSSYB104K10 | C 1213 | | CKSRYB104K16 |
| C 773 | | CKSSYB104K10 | C 1214 | | CKSRYB102K50 |
| C 774 | | CCSSCH100D50 | C 1215 | | CKSRYB105K10 |
| | | | | | |
| C 775 | | CCSSCH100D50 | C 1217 | | CCSSCH121J50 |
| C 776 | | CKSRYB105K10 | C 1218 | | CKSRYB104K16 |
| C 777 | | CKSRYB105K10 | C 1231 | (A,B) | CKSRYB104K16 |
| C 778 | | CKSRYB105K10 | C 1232 | (A,B) | CKSRYB105K16 |
| C 783 | 1 uF | DCH1246 | C 1241 | 10 uF | CCG1192 |
| | | | | | |
| C 790 | | CKSSYB102K50 | C 1242 | 10 uF | CCG1192 |
| C 791 | 10 uF | CCG1192 | C 1243 | 10 uF | CCG1192 |
| C 792 | | CKSSYB472K50 | C 1244 | 10 uF | CCG1192 |
| C 793 | | CKSSYB103K16 | C 1245 | 10 uF | CCG1192 |
| C 799 | | CKSSYB222K50 | C 1246 | 10 uF | CCG1192 |
| | | | | | |
| C 800 | | CKSSYB222K50 | C 1247 | | CCSSCH101J50 |
| C 853 | | CCSSCH100D50 | C 1248 | | CCSSCH101J50 |
| C 854 | | CCSSCH471J50 | C 1249 | | CCSSCH101J50 |
| C 858 | | CCSSCH220J50 | C 1250 | | CCSSCH101J50 |
| C 859 | | CCSSCH331J50 | C 1251 | | CCSSCH101J50 |
| | | | | | |
| C 860 | (E,F) | CCSSCK2R0C50 | C 1252 | | CCSSCH101J50 |
| C 861 | (E,F) | CCSSCK1R0C50 | C 1253 | | CKSSYB103K16 |
| C 862 | (E,F) | CCSSCK1R0C50 | C 1254 | | CKSSYB104K10 |
| C 863 | (E,F) | CCSSCH120J50 | C 1255 | | CKSSYB104K10 |
| C 866 | | CKSSYB224K6R3 | C 1257 | | CKSSYB102K50 |

| | 1 | 2 | 3 | 4 | | |
|---|-------------------------------|-----------------|-------------------------------|------------------------|---------|---------|
| | <u>Circuit Symbol and No.</u> | <u>Part No.</u> | <u>Circuit Symbol and No.</u> | <u>Part No.</u> | | |
| A | C 1276 | CKSRYB104K16 | S 1806 | Push Switch | CSG1155 | |
| | C 1277 | CKSRYB104K16 | S 1807 | Push Switch | CSG1155 | |
| | C 1278 | CKSRYB104K16 | S 1808 | Push Switch | CSG1155 | |
| | C 1279 | CKSRYB104K16 | S 1809 | Push Switch | CSG1155 | |
| | C 1280 | CKSSYB102K50 | S 1810 | Push Switch | CSG1155 | |
| | C 1281 | CKSSYB102K50 | S 1811 | Push Switch | CSG1155 | |
| | C 1301 | CKSRYB474K10 | S 1812 | Push Switch | CSG1155 | |
| | C 1302 | CKSRYB474K10 | S 1813 | Push Switch | CSG1155 | |
| | C 1303 | CKSRYB474K10 | S 1814 | Push Switch | CSG1155 | |
| | C 1304 | CKSRYB474K10 | S 1815 | Encoder(MULTI-CONTROL) | CSD1168 | |
| B | C 1306 | CKSRYB105K10 | S 1816 | Push Switch | CSG1155 | |
| | C 1310 | 10 uF/16 V | DCH1263 | Connector | CKS6451 | |
| | C 1311 | 2.2 uF | CCG1205 | Connector | CKS6443 | |
| | C 1312 | | CKSRYB104K50 | JA 1801 | Jack | CKN1090 |
| | C 1316 | | CKSRYB104K50 | V 1801 | LCD | CAW2058 |

RESISTORS

| | |
|--------|--------------|
| R 1801 | RS1/10SR182J |
| R 1802 | RS1/10SR680J |
| R 1804 | RS1/10SR332J |
| R 1805 | RS1/10SR182J |
| R 1806 | RS1/10SR680J |
| R 1808 | RS1/10SR332J |
| R 1809 | RS1/10SR182J |
| R 1810 | RS1/10SR680J |
| R 1812 | RS1/10SR332J |
| R 1813 | RS1/10SR182J |
| R 1814 | RS1/10SR680J |
| R 1816 | RS1/10SR332J |
| R 1817 | RS1/10SR182J |
| R 1818 | RS1/10SR680J |
| R 1820 | RS1/10SR332J |
| R 1821 | RS1/10SR182J |
| R 1822 | RS1/10SR680J |
| R 1824 | RS1/10SR332J |
| R 1827 | RS1/10SR182J |
| R 1828 | RS1/10SR390J |
| R 1831 | RS1/10SR332J |
| R 1832 | RS1/10SR182J |
| R 1833 | RS1/10SR390J |
| R 1835 | RS1/10SR101J |
| R 1836 | RS1/10SR332J |
| R 1840 | RS1/10SR182J |
| R 1841 | RS1/10SR390J |
| R 1843 | RS1/10SR332J |
| R 1844 | RS1/10SR273J |
| R 1846 | RS1/10SR182J |
| R 1847 | RS1/10SR390J |
| R 1849 | RS1/10SR332J |
| R 1850 | RS1/10SR182J |
| R 1851 | RS1/10SR390J |
| R 1853 | RS1/10SR332J |
| R 1857 | RS1/10SR182J |
| R 1858 | RS1/10SR390J |
| R 1860 | RS1/10SR332J |
| R 1863 | RS1/10SR222J |
| R 1864 | RS1/10SR222J |
| R 1865 | RS1/10SR222J |
| R 1866 | RS1/10SR222J |
| R 1869 | RS1/10SR0R0J |

B

Unit Number: QWM4168
Unit Name : Keyboard Unit

MISCELLANEOUS

| | | | |
|---|---------|--------------------|--------------------|
| C | IC 1801 | Driver IC | BU97540KV-M |
| | IC 1802 | Driver IC | BU97540KV-M |
| | IC 1803 | IC | PNJ4833M |
| | Q 1801 | Bipolar Transistor | LSCR523UB |
| | Q 1802 | Bipolar Transistor | LSCR523UB |
| D | Q 1803 | Bipolar Transistor | LSCR523UB |
| | Q 1804 | Bipolar Transistor | LSCR523UB |
| | Q 1805 | Bipolar Transistor | LSCR523UB |
| | Q 1806 | Bipolar Transistor | LSCR523UB |
| | Q 1807 | Bipolar Transistor | LSCR523UB |
| E | Q 1808 | Bipolar Transistor | LSCR523UB |
| | Q 1809 | Bipolar Transistor | LSCR523UB |
| | Q 1810 | Bipolar Transistor | LSCR523UB |
| | Q 1811 | Bipolar Transistor | LSCR523UB |
| | Q 1812 | Bipolar Transistor | LSCR523UB |
| F | D 1801 | LED | NSSM124-6717 |
| | D 1802 | LED | NSSM124-6717 |
| | D 1803 | LED | NSSM124-6717 |
| | D 1804 | LED | NSSM124-6717 |
| | D 1806 | LED | MSL0101RGBU |
| | D 1807 | LED | MSL0101RGBU |
| | D 1809 | SMD Varistor | MLV0603ES012V0010N |
| | D 1810 | SMD Varistor | MLV0603ES012V0010N |
| | D 1811 | LED | MSL0101RGBU |
| | D 1812 | LED | MSL0101RGBU |
| | D 1815 | LED | NSSM124-6717 |
| | L 1801 | Inductor | CTF1713 |
| | L 1803 | Inductor | CTF1379 |
| | L 1804 | Inductor | CTF1379 |
| | L 1805 | Inductor | CTF1379 |
| | S 1801 | Push Switch | CSG1155 |
| | S 1802 | Push Switch | CSG1155 |
| | S 1803 | Push Switch | CSG1155 |
| | S 1804 | Push Switch | CSG1155 |
| | S 1805 | Push Switch | CSG1155 |

