

# 9. EXPLODED VIEWS AND PARTS LIST

NOTES : • Parts marked by "\*" are generally unavailable because they are not in our Master Spare Parts List.

• The  $\Delta$  mark found on some component parts indicates the importance of the safety factor of the part.

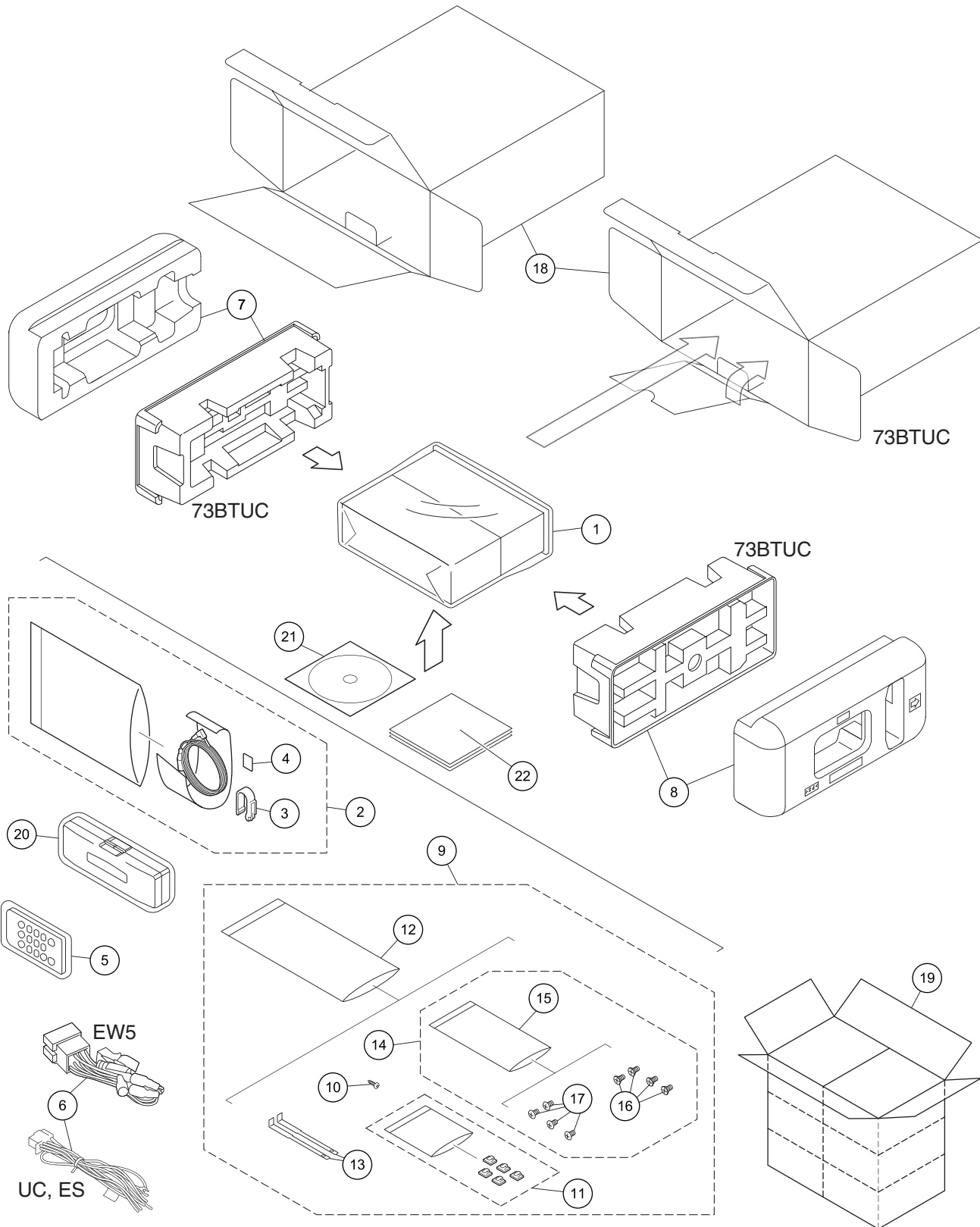
Therefore, when replacing, be sure to use parts of identical designation.

• Screw adjacent to  $\nabla$  mark on the product are used for disassembly.

• For the applying amount of lubricants or glue, follow the instructions in this manual.

(In the case of no amount instructions, apply as you think it appropriate.)

## 9.1 PACKING



DEH-7300BT/XSUC

**(1) PACKING SECTION PARTS LIST**

<u>Mark No.</u>	<u>Description</u>	<u>Part No.</u>	<u>Mark No.</u>	<u>Description</u>	<u>Part No.</u>
1	Polyethylene Bag	See Contrast table (2)	16	Screw	See Contrast table (2)
2	Microphone Assy	CPM1083	17	Screw	See Contrast table (2)
3	Holder	CZN7192	18	Unit Box	See Contrast table (2)
4	Cushion	CZN7193	19	Contain Box	See Contrast table (2)
5	Remote Control Unit	See Contrast table (2)	20	Case Assy	See Contrast table (2)
6	Cord Assy	See Contrast table (2)	21	IM CD-ROM	See Contrast table (2)
7	Protector	See Contrast table (2)	22-1	Owner's Manual	See Contrast table (2)
8	Protector	See Contrast table (2)	22-2	Installation Manual	See Contrast table (2)
*	Accessory Assy	See Contrast table (2)	22-3	Quick Start Guide	See Contrast table (2)
10	Screw	See Contrast table (2)	* 22-4	Warranty Card	See Contrast table (2)
11	Cord Clamper Assy	CEA4636	* 22-5	Caution Card	See Contrast table (2)
12	Polyethylene Bag	CEG1160	* 22-6	Caution Card	See Contrast table (2)
13	Handle	QNC3021	* 22-7	Passport	See Contrast table (2)
14	Screw Assy	See Contrast table (2)	* 22-8	Caution Card	See Contrast table (2)
* 15	Polyethylene Bag	See Contrast table (2)			

**(2) CONTRAST TABLE**

DEH-7300BT/XSUC, DEH-7300BT/XSEW5, DEH-73BT/XSUC and DEH-7350BT/XSES are constructed the same except for the following:

<u>Mark</u>	<u>No.</u>	<u>Description</u>	<u>DEH-7300BT/XSUC</u>	<u>DEH-7300BT/XSEW5</u>	<u>DEH-73BT/XSUC</u>	<u>DEH-7350BT/XSES</u>
	1	Polyethylene Bag	CEG1173	QEG3001	CEG1173	QEG3001
	5	Remote Control Unit	CXE3669	Not used	CXE3669	CXE3669
	6	Cord Assy	QDP3013	QDP3014	QDP3013	QDP3013
	7	Protector	QHP3016	QHP3016	CHP4103	QHP3016
	8	Protector	QHP3016	QHP3016	CHP4104	QHP3016
*	9	Accessory Assy	YEA5100	YEA5101	YEA5100	YEA5099
	10	Screw	BPZ20P060FTC	Not used	BPZ20P060FTC	Not used
	14	Screw Assy	YEA5072	Not used	YEA5072	YEA5082
*	15	Polyethylene Bag	CEG-127	Not used	CEG-127	CEG-127
	16	Screw	CRZ50P090FTC	Not used	CRZ50P090FTC	Not used
	17	Screw	TRZ50P080FTC	Not used	TRZ50P080FTC	TRZ50P080FTC
	18	Unit Box	YHG5573	YHG5572	YHG5575	YHG5574
	19	Contain Box	YHL5573	YHL5572	YHL5575	YHL5574
	20	Case Assy	Not used	QXA3129	Not used	QXA3129
	21	IM CD-ROM	Not used	YPJ5010	Not used	Not used
	22-1	Owner's Manual	YRD5324	Not used	YRD5324	YRD5325
	22-2	Installation Manual	Not used	YRD5336	Not used	Not used
	22-3	Guide	Not used	YRD5334	Not used	Not used
*	22-4	Warranty Card	CRY1276	CRY1316	CRY1276	Not used
*	22-5	Caution Card	Not used	CRP1389	Not used	Not used
*	22-6	Caution Card	Not used	CRP1438	Not used	Not used
*	22-7	Passport	Not used	CRY1268	Not used	Not used
*	22-8	Caution Card	Not used	YRP5025	Not used	Not used

**Owner's Manual, Installation Manual**

Part No.	Language
YRD5324	English, French, Spanish(Espanol)
YRD5325	English, Spanish(Espanol), Portuguese(B), Traditional Chinese, Arabic, Persian
YRD5336	English, French, Italian, Spanish(Espanol), German, Dutch, Russian
YRD5334	English, French, Italian, Spanish(Espanol), German, Dutch, Russian

**CONTENTS OF CD-ROM (Operation Manual), YPJ5010**

Part No.	Language
*YRB5184	English
*YRB5185	French
*YRB5186	Spanish(Espanol)
*YRB5187	Italian
*YRB5188	German
*YRB5189	Dutch
*YRB5190	Russian
*YRB5191	Swedish
*YRB5192	Norwegian
*YRB5193	Finnish
*YRB5194	Danish
*YRB5195	Portuguese
*YRB5196	Greek
*YRB5197	Turkish

**All operation manuals are supplied in PDF files by the CD-ROM.**

**Regarding the availability of paper manual, contact Pioneer Service representative in your region.**

# 9.2 EXTERIOR

1

2

3

4

A

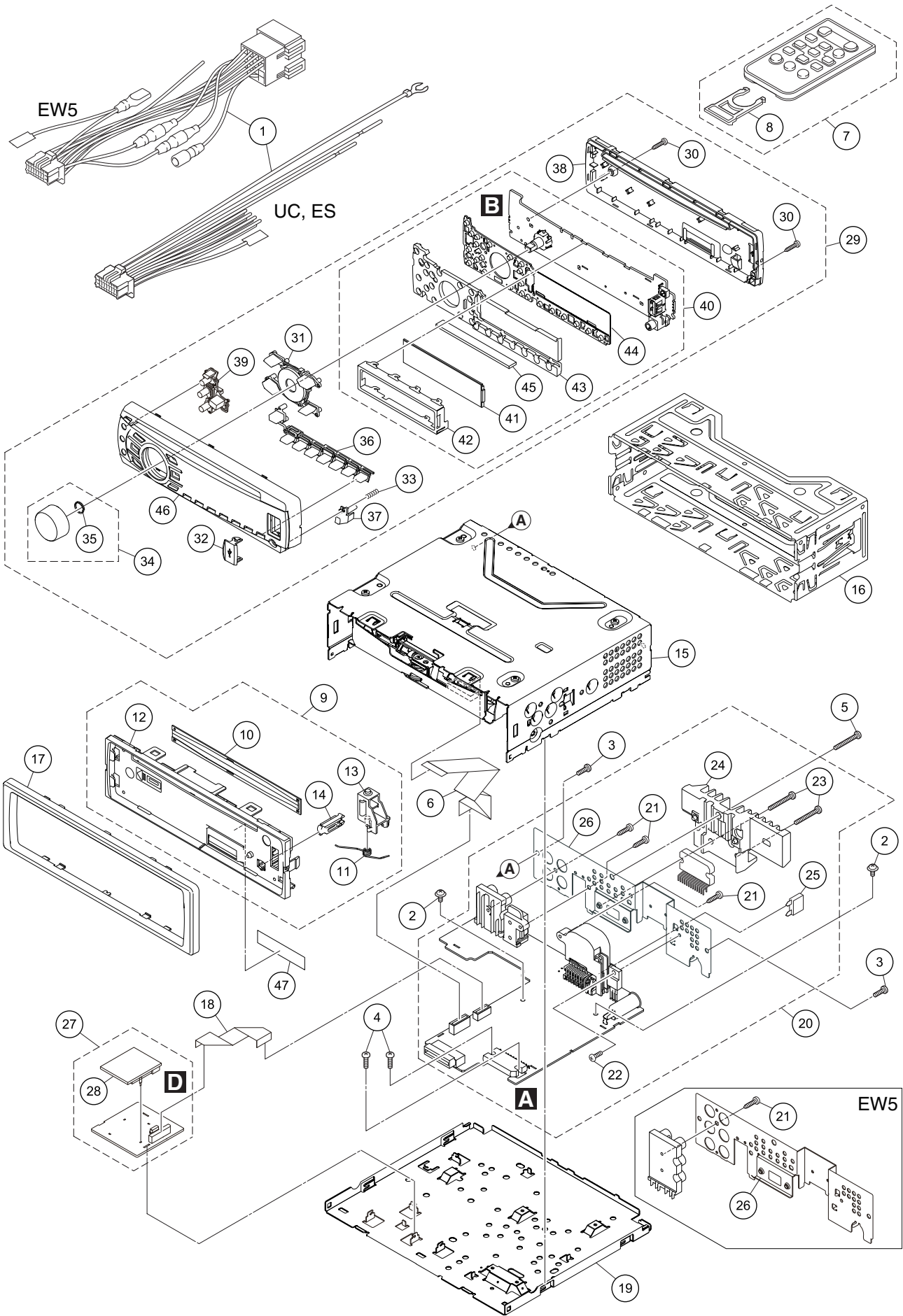
B

C

D

E

F



DEH-7300BT/XSUC

1

2

3

4

**(1) EXTERIOR SECTION PARTS LIST**

<u>Mark No.</u>	<u>Description</u>	<u>Part No.</u>	<u>Mark No.</u>	<u>Description</u>	<u>Part No.</u>
1	Cord Assy	See Contrast table (2)	⚠ 25	Fuse(10 A)	YEK5001
2	Screw	ASZ26P050FTC	26	Holder	See Contrast table (2)
3	Screw	BSZ26P060FTC	27	BT Unit	See Contrast table (2)
4	Screw	BSZ26P080FTC	28	Bluetooth Module	CWX3981
5	Screw	BSZ26P120FTC	29	Detach Grill Assy	See Contrast table (2)
6	Cable	CDE9337	30	Screw	BPZ20P100FTC
7	Remote Control Unit	See Contrast table (2)	31	Button(LIST, RPT, UP DOWN)	CAI3204
8	Cover	See Contrast table (2)	32	Door(USB)	CAT2921
9	Panel Unit	CXE3805	33	Spring	CBH2210
10	Cover	CNN1665	34	Knob Unit	CXE3692
11	Spring	QBH3001	35	Spring	YBL5010
12	Panel	QNS3126	36	Button(RIGHT, -, 1-6)	QAC3052
13	Arm	QNV3025	37	Button(DETACH)	QAC3053
14	Button	QNV3026	38	Cover	QNS3125
15	CD Mechanism Module(S11.1)	CXK5802	39	Button(SRC, BAND ,TEL)	YAC5422
16	Holder	QNC3020	40	Keyboard Assy	See Contrast table (2)
17	Panel	QNS3127	41	LCD(V1801)	CAW1998
18	Cable	YDE5068	42	Holder	QNC3018
19	Case	YNB5068	43	Lighting Conductor	QNV3022
20	Tuner Amp Assy	See Contrast table (2)	44	Rubber	QNV3023
21	Screw	BPZ26P080FTC	45	Connector	YNV5192
22	Screw	BSZ26P060FTC	46	Grille Unit	See Contrast table (2)
23	Screw	BSZ26P120FTC	* 47	Seal	See Contrast table (2)
24	Heat Sink	QNR3002			

**(2) CONTRAST TABLE**

DEH-7300BT/XSUC, DEH-7300BT/XSEW5, DEH-73BT/XSUC and DEH-7350BT/XSES are constructed the same except for the following:

Mark	No.	Description	DEH-7300BT/XSUC	DEH-7300BT/XSEW5	DEH-73BT/XSUC	DEH-7350BT/XSES
	1	Cord Assy	QDP3013	QDP3014	QDP3013	QDP3013
	7	Remote Control Unit	CXE3669	Not used	CXE3669	CXE3669
	8	Cover	CNS7068	Not used	CNS7068	CNS7068
	20	Tuner Amp Assy	YWM5486	YWM5482	YWM5486	YWM5483
	26	Holder	YND5051	YND5050	YND5051	YND5051
	27	BT Unit	YWM5539	YWM5539	YWM5539	YWM5494(BT Assy)
	29	Detach Grill Assy	YXA5728	YXA5724	YXA5728	YXA5725
	40	Keyboard Assy	YWM5492	YWM5488	YWM5492	YWM5489
	46	Grille Unit	YXA5732	YXA5731	YXA5732	YXA5733
*	47	Seal	Not used	Not used	CAN3984	Not used

# 9.3 CD MECHANISM MODULE

1

2

3

4

A

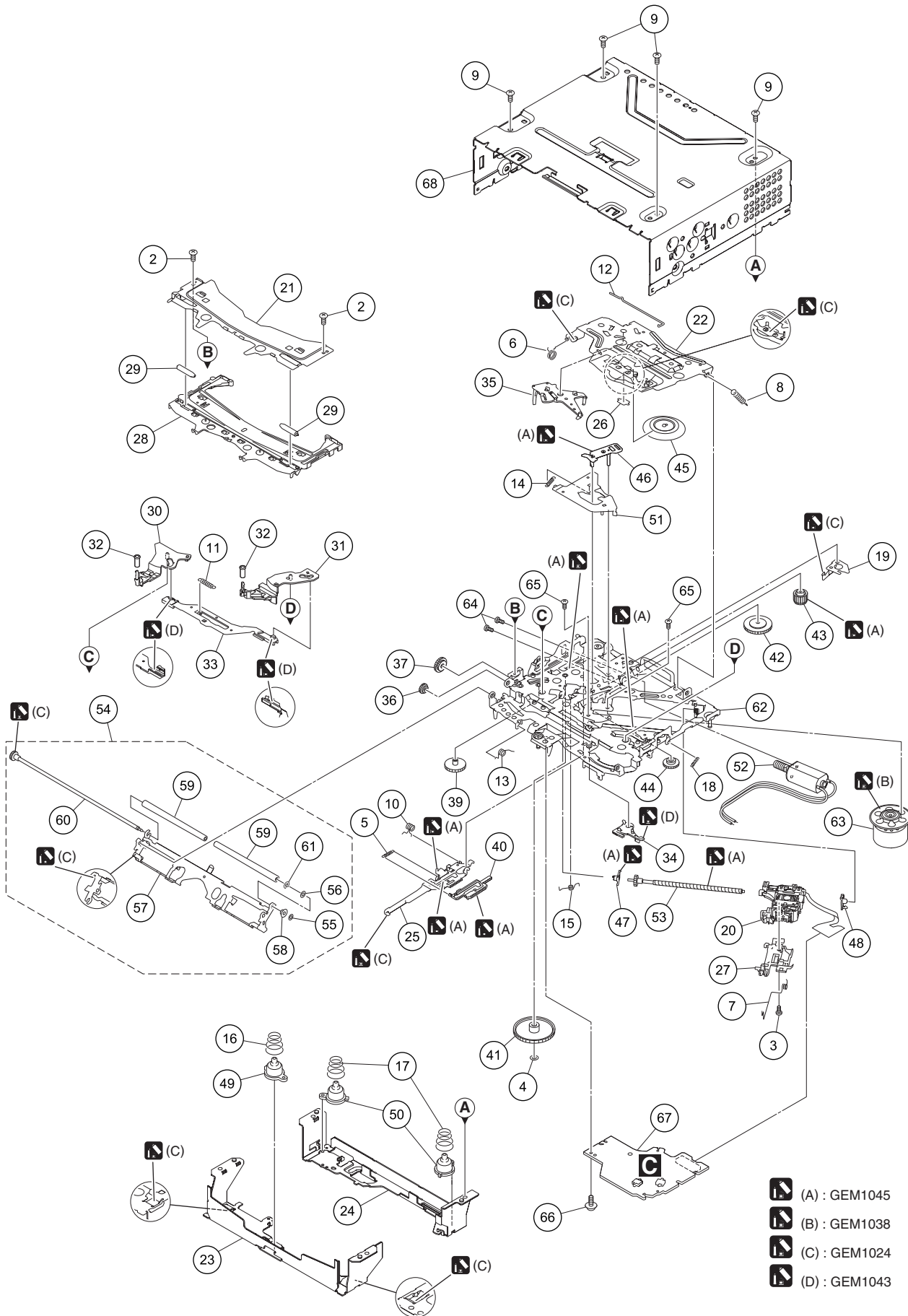
B





C

D

E

F



-  (A) : GEM1045
-  (B) : GEM1038
-  (C) : GEM1024
-  (D) : GEM1043

1

2

3

4

## CD MECHANISM MODULE SECTION PARTS LIST

<u>Mark No.</u>	<u>Description</u>	<u>Part No.</u>	<u>Mark No.</u>	<u>Description</u>	<u>Part No.</u>
1	.....		50	Damper	CNW1198
2	Screw	BSZ20P040FTC	51	Arm	CNW1726
3	Screw(M2 x 4)	CBA1835	52	Motor Unit(M2)(LOAD/CRG)	CXC4026
4	Washer	CBF1038	53	Screw Unit	CXC8894
5	Spring	CBH3010	54	Arm Assy	CXE3849
6	Spring	CBH2855	55	Washer	CBF1037
7	Spring	CBH2856	56	Washer	CBF1038
8	Spring	CBH2860	57	Arm	CND5886
9	Screw	BSZ26P060FTC	58	Collar	CNV6906
10	Spring	CBH3011	59	Roller	CNW1196
11	Spring	CBH3012	60	Gear Unit	CXC8893
12	Spring	CBH3014	61	Washer	YE15FTC
13	Spring	CBH3015	62	Chassis Unit	CXE3818
14	Spring	CBH3016	63	Motor Unit(M1)(SPDL)	CXE2273
15	Spring	CBH3017	64	Screw	JFZ20P025FTC
16	Spring	CBH3086	65	Screw	JGZ17P022FTC
17	Spring	CBH3019	66	Screw	EBA1028
18	.....		67	CD Core Unit (S11.1STD-DOU)	CWX3985
19	Spring	CBL1822	68	Chassis	CNA3181
20	Pickup Unit(P10.5)(Service)	CXX1942			
21	Bracket	CND4553			
22	Arm	CND4555			
23	Bracket	CND5709			
24	Bracket	CND5710			
25	Lever	CND5398			
26	Sheet	CNN2280			
27	Rack	CNV8342			
28	Guide	CNW1171			
29	Roller	CNW1172			
30	Arm	CNW2157			
31	Arm	CNW1174			
32	Roller	CNW1175			
33	Lever	CNW1176			
34	Arm	CNW1177			
35	Arm	CNW1178			
36	Gear	CNW1180			
37	Gear	CNW1181			
38	.....				
39	Gear	CNW1183			
40	Rack	CNW1184			
41	Gear	CNW1185			
42	Gear	CNW1186			
43	Gear	CNW1187			
44	Gear	CNW1188			
45	Clamper	CNW1190			
46	Arm	CNW1192			
47	Holder	CNW1193			
48	Holder	CNW1194			
49	Damper	CNW1197			

# 12. ELECTRICAL PARTS LIST

**NOTE:**

- Parts whose parts numbers are omitted are subject to being not supplied.
- The part numbers shown below indicate chip components.

Chip Resistor

RS1/○S○○○○J,RS1/○○S○○○○J

Chip Capacitor (except for CQS.....)

CKS....., CCS....., CSZS.....

- The  $\triangle$  mark found on some component parts indicates the importance of the safety factor of the part. Therefore, when replacing, be sure to use parts of identical designation.
- Meaning of the figures and others in the parentheses in the parts list.

Example) IC 301 is on the point (face A, 91 of x-axis, and 111 of y-axis) of the corresponding PC board.

IC 301 (A, 91, 111) IC NJM2068V

<u>Circuit Symbol and No.</u>	<u>Part No.</u>	<u>Circuit Symbol and No.</u>	<u>Part No.</u>
<b>A:DEH-7300BT/XSUC</b>		IC 502 (A,20,114) IC	BD9008F
<b>B:DEH-7300BT/XSEW5</b>		IC 551 (A,121,42) IC	341S2162
<b>C:DEH-73BT/XSUC</b>		IC 601 (A,124,66) IC	R5S7267ZD144FP
<b>D:DEH-7350BT/XSES</b>		IC 651 (A,146,72) IC	S-80827CNMC-B8M
<b>Unit Number : YWM5486(A,C)</b>		IC 671 (A,120,29) IC(A,C)	PEA018A8
<b>: YWM5482(B)</b>		(A,120,29) IC(B)	PEA017A8
<b>: YWM5483(D)</b>		(A,120,29) IC(D)	PEA019A8
<b>Unit Name : Tuner Amp Assy</b>		IC 801 (A,107,18) L-MOS And Gate	TC7SET08FUS1
<b>Unit Number : YWM5492(A,C)</b>		IC 891 (A,101,62) Regulator IC	S-1132B33-U5
<b>: YWM5488(B)</b>		IC 912 (A,145,28) IC	BA49182-V12
<b>: YWM5489(D)</b>		IC 971 (A,107,36) IC	NJM4558MD
<b>Unit Name : Keyboard Assy</b>		Q 251 (A,24,131) Chip Transistor(B)	RN1910
<b>Unit Number : CWX3985</b>		Q 252 (A,9,131) Chip Transistor	RN1910
<b>Unit Name : CD Core Unit(S11.1STD-DOUT)</b>		Q 253 (A,37,133) Chip Transistor	RN1910
<b>Unit Number : YWM5539(A,B,C)</b>		Q 351 (A,92,127) Chip Transistor	RN4983
<b>: YWM5494(D)</b>		Q 352 (A,110,112) Transistor	RT1N241M
<b>Unit Name : BT Unit</b>		Q 551 (A,121,47) Transistor	LSA1576UB
		Q 751 (A,142,139) Transistor	2SD2396
		Q 752 (A,136,132) Chip Transistor	RN4983
		Q 871 (A,124,22) Transistor	LSA1576UB
		Q 872 (A,119,22) Transistor	LTC114EUB
		Q 931 (A,124,112) Transistor	LSC4081UB
		D 301 (A,100,127) Diode	CRG03
		D 302 (A,98,127) Diode	CRG03
		D 401 (A,158,106) Diode	KP2311E
		D 402 (A,158,100) Diode	KP2311E
		D 501 (A,29,109) Diode	RB160L-40
		D 502 (A,22,125) Diode	CRG03
		D 601 (A,125,50) Diode	RB551V-30
		D 602 (A,116,84) Diode	RB751S-40
		D 751 (A,139,130) Diode	RKZ8.2KG(B2)
		D 801 (A,109,13) Diode	DZ2S068C
		D 802 (A,112,13) Diode	DZ2S068C
		D 803 (A,119,16) Diode	DZ2S068C
		D 804 (A,113,16) Diode	DZ2S068C
		D 805 (A,115,13) Diode	DZ2S068C
		D 808 (A,104,13) Diode	DZ2S068C
		D 810 (A,101,13) Diode	DZ2S068C
		D 811 (A,98,13) Diode	DZ2S068C
		D 901 (A,137,114) Diode	1SR154-400
		D 902 (A,134,114) Diode	1SR154-400
<b>MISCELLANEOUS</b>			
IC 201 (A,98,108) IC	PML022A		
IC 231 (A,97,85) D/A Converter	PCM1753DBQ		
IC 301 (A,78,142) IC	PAL007E		
IC 401 (A,150,91) IC	TDA7706		
IC 501 (A,88,96) IC	BD2226G		

	<u>1</u>	<u>2</u>	<u>3</u>	<u>4</u>
	<u>Circuit Symbol and No.</u>	<u>Part No.</u>	<u>Circuit Symbol and No.</u>	<u>Part No.</u>
	D 911 (A,157,63) Diode	1SR154-400		
	D 912 (A,157,60) Diode	1SR154-400	R 261 (A,41,132)	RS1/16SS223J
A	D 931 (A,122,115) Diode(A,C,D)	HZU7L(A1)	R 262 (A,34,132)	RS1/16SS223J
	(A,122,115) Diode(B)	HZU7L(C3)	R 263 (A,18,131) (B)	RS1/16SS0R0J
	L 401 (A,159,103) Chip Coil	LCTAWR15J2520	R 264 (A,15,130) (B)	RS1/16SS0R0J
	L 402 (A,151,102) Inductor	CTF1786	R 265 (A,17,130) (A,C,D)	RS1/16SS0R0J
	L 403 (A,147,104) Inductor	CTF1786	R 266 (A,17,131) (A,C,D)	RS1/16SS0R0J
	L 404 (A,155,104) Chip Coil	LCTAWR27J2520		
	L 405 (A,142,104) Inductor	CTF1389	R 303 (A,108,108)	RS1/16SS103J
	L 406 (A,140,101) Inductor	LCTAW220J2520	R 304 (A,113,109)	RS1/10SR473J
	L 407 (A,162,96) Inductor	CTF1786	R 331 (A,74,127)	RS1/16SS471J
	L 408 (A,162,95) Inductor	CTF1786	R 332 (A,81,127)	RS1/16SS471J
	L 409 (A,139,92) Chip Coil	LCTAW470J2520	R 333 (A,75,127)	RS1/16SS471J
B	L 415 (A,151,80) Inductor	CTF1786	R 334 (A,80,126)	RS1/16SS471J
	L 416 (A,154,80) Inductor(B)	CTF1786	R 351 (A,94,127)	RS1/16SS102J
	L 443 (A,146,107) Inductor(A,C,D)	LCYB68NJ1005	R 352 (A,107,111)	RS1/16SS103J
	L 501 (A,34,110) Coil	CTH1475	R 353 (A,111,113)	RS1/16SS221J
	L 601 (A,148,58) Inductor	CTF1786	R 354 (A,111,111)	RS1/16SS103J
	L 602 (A,146,59) Inductor	CTF1786		
	L 603 (A,131,94) Inductor	CTF1389	R 401 (A,161,106)	RS1/16SS221J
	L 671 (A,113,28) Inductor	CTF1786	R 402 (A,161,100)	RS1/16SS751J
	L 802 (A,111,13) Inductor	CTF1713	R 403 (A,140,103)	RS1/16SS152J
	L 901 (A,112,141) Choke Coil 600 uH	CTH1432	R 405 (A,143,99)	RS1/16SS105J
X	401 (A,161,88) Oscillator 36.48 MHz	CSS1805	R 406 (A,138,96)	RS1/16SS471J
C	X 601 (A,107,74) Ceramic Resonator 16.934 MHz	CSS1603	R 407 (A,140,95)	RS1/16SS330J
	X 602 (A,130,84) Oscillator 12 MHz	YSS5005	R 408 (A,138,91)	RS1/16SS681J
⚠	P251 (A,6,127) Fuse 3 A	CEK1286	R 410 (A,141,84)	RS1/4SA8R2J
	P 401 (A,155,109) Surge Protector	IMSA-6802-01Y900	R 412 (A,138,84)	RS1/4SA8R2J
	VA804 (A,105,14) Varistor	EZJP0V270RM	R 413 (A,146,108)	RS1/16SS105J
	VA805 (A,107,12) Varistor	EZJP0V270RM	R 414 (A,153,74)	RS1/10SR102J
	VA971 (A,51,134) Varistor	VR105C5R0AAA	R 415 (A,151,74)	RS1/10SR102J
	VA972 (A,49,134) Varistor	VR105C5R0AAA	R 419 (A,149,74)	RS1/16SS103J
	VA973 (A,52,133) Varistor	VR105C5R0AAA	R 420 (A,150,74)	RS1/16SS103J
	VA974 (A,48,133) Varistor	VR105C5R0AAA	R 421 (A,153,80) (A,C,D)	RS1/16SS0R0J
D	CN701 (A,91,39) Connector	VKN1192	R 427 (A,144,84)	RS1/16SS102J
	CN801 (A,109,4) Connector	CKS6288	R 428 (A,157,81)	RS1/16SS680J
	CN971 (A,93,61) Connector	VKN1189	R 501 (A,21,121)	RS1/10SR471J
	JA251 (A,19,141) Pin Jack(A,C,D)	YKB5011	R 502 (A,23,118)	RS1/16SS4702F
	(A,19,141) Pin Jack(B)	YKB5016	R 503 (A,21,118)	RS1/16SS682J
	JA401 (A,158,129) Antenna Jack	YKS5041		
	JA901 (A,113,141) Plug	CKM1586	R 504 (A,20,120)	RS1/16SS1002F
	JA971 (A,42,141) Jack	YKS5035	R 505 (A,26,114)	RS1/16SS183J
⚠	Fuse(10 A)	YEK5001	R 506 (A,15,114)	RS1/16SS513J
			R 508 (A,143,66)	RS1/16SS103J
			R 551 (A,126,44)	RS1/16SS473J

**RESISTORS**

E	R 201 (A,113,104)	RS1/16SS0R0J	R 552 (A,115,46)	RS1/16SS103J
	R 202 (A,115,105)	RS1/16SS102J	R 553 (A,115,47)	RS1/16SS103J
	R 203 (A,113,106)	RS1/16SS0R0J	R 556 (A,119,39)	RS1/16SS272J
	R 231 (A,94,81)	RS1/16SS821J	R 557 (A,117,40)	RS1/16SS472J
	R 232 (A,94,82)	RS1/16SS821J	R 558 (A,118,48)	RS1/16SS472J
	R 251 (A,29,127) (B)	RS1/16SS821J		
	R 252 (A,29,128) (B)	RS1/16SS821J	R 559 (A,117,45)	RS1/16SS101J
	R 253 (A,10,128)	RS1/16SS821J	R 560 (A,114,48)	RS1/16SS101J
	R 254 (A,12,129)	RS1/16SS821J	R 601 (A,127,50)	RS1/16SS103J
	R 255 (A,22,131) (B)	RS1/16SS223J	R 602 (A,128,48)	RS1/16SS473J
			R 603 (A,129,50)	RS1/16SS104J
	R 256 (A,27,132) (B)	RS1/16SS223J	R 606 (A,119,49)	RS1/16SS473J
F	R 257 (A,7,131)	RS1/16SS223J	R 608 (A,141,62)	RS1/16SS473J
	R 258 (A,11,131)	RS1/16SS223J	R 609 (A,109,66)	RS1/16SS101J
	R 259 (A,47,127)	RS1/16SS821J	R 610 (A,139,66)	RS1/16SS222J
	R 260 (A,47,131)	RS1/16SS821J	R 611 (A,105,68)	RS1/16SS101J
			R 612 (A,139,68)	RS1/16SS473J
			R 613 (A,105,69)	RS1/16SS101J
			R 615 (A,141,69)	RS1/16SS104J
			R 617 (A,109,70)	RS1/16SS221J

5		6		7		8	
<u>Circuit Symbol and No.</u>		<u>Part No.</u>		<u>Circuit Symbol and No.</u>		<u>Part No.</u>	
R 620	(A,139,76)	RS1/16SS473J		R 874	(A,126,22)	RS1/16SS103J	
R 621	(A,112,82)	RS1/16SS473J		R 911	(A,140,42)	RS1/10SR1R0J	
R 622	(A,125,82)	RS1/16SS473J		R 912	(A,148,42)	RS1/10SR1R0J	
R 623	(A,131,81)	RS1/16SS152J		R 931	(A,125,115)	RS1/16SS223J	A
R 624	(A,133,81)	RS1/16SS473J		R 932	(A,121,113)	RS1/16SS473J	
R 626	(A,121,83)	RS1/16SS5601F		R 933	(A,120,113) (A,C,D) (A,120,113) (B)	RS1/16SS472J	
R 628	(A,114,85)	RS1/16SS103J				RS1/16SS473J	
R 629	(A,138,78)	RS1/16SS102J		R 934	(A,117,115)	RS1/4SA102J	
R 631	(A,117,82)	RS1/16SS473J		R 971	(A,112,35)	RS1/10SR103J	
R 632	(A,121,86)	RS1/16SS103J		R 972	(A,114,35)	RS1/10SR0R0J	
R 633	(A,122,87)	RS1/16SS101J		R 973	(A,109,32)	RS1/10SR103J	
				R 974	(A,106,32)	RS1/10SR223J	
R 634	(A,143,54)	RS1/16SS473J					
R 635	(A,140,53)	RS1/16SS473J		R 975	(A,104,40)	RS1/10SR223J	
R 636	(A,139,53)	RS1/16SS473J		R 976	(A,104,46)	RS1/10SR223J	B
R 637	(A,138,53)	RS1/16SS473J		R 977	(A,104,47)	RS1/10SR223J	
R 638	(A,142,61)	RS1/16SS473J		R 985	(A,95,49)	RS1/16SS102J	
				R 987	(A,95,50)	RS1/16SS102J	
R 639	(A,130,81)	RS1/16SS473J					
R 640	(A,105,77)	RS1/16SS473J		R 993	(A,59,135)	RS1/10SR102J	
R 641	(A,105,78)	RS1/16SS473J		R 994	(A,57,135)	RS1/10SR102J	
R 642	(A,105,79)	RS1/16SS473J					
R 643	(A,105,80)	RS1/16SS473J					
				<b><u>CAPACITORS</u></b>			
R 645	(A,134,82)	RS1/16SS473J		C 201	(A,107,103) 10 uF	CCG1192	
R 651	(A,139,77)	RS1/16SS104J		C 202	(A,102,102)	CCSSCH100D50	
R 671	(A,113,31)	RS1/10SR473J		C 203	(A,104,103) 10 uF	CCG1192	
R 672	(A,117,33)	RS1/10SR473J		C 204	(A,101,103)	CCSSCH100D50	C
R 691	(A,126,15)	RS1/4SA222J		C 205	(A,94,102)	CKSRYB105K10	
				C 206	(A,94,114)	CKSRYB105K10	
R 701	(A,96,45)	RS1/16SS473J		C 207	(A,97,102)	CKSRYB105K10	
R 702	(A,95,39)	RS1/16SS104J					
R 703	(A,99,41)	RS1/16SS104J		C 208	(A,99,116)	CKSRYB105K10	
R 704	(A,96,24)	RS1/16SS472J		C 209	(A,99,103)	CKSRYB105K10	
R 705	(A,96,25)	RS1/16SS472J		C 210	(A,100,116)	CKSRYB105K10	
				C 211	(A,97,100)	CKSRYB224K16	
R 706	(A,96,26)	RS1/16SS472J		C 212	(A,96,115)	CKSRYB224K16	
R 707	(A,94,24)	RS1/16SS221J					
R 708	(A,95,44)	RS1/16SS221J		C 213	(A,93,106)	CKSRYB105K10	
R 709	(A,95,43)	RS1/16SS101J		C 214	(A,102,116)	CKSRYB105K10	
R 710	(A,95,42)	RS1/16SS221J		C 231	(A,92,79)	CKSRYB105K16	D
				C 232	(A,91,84)	CKSSYB103K16	
R 711	(A,95,41)	RS1/16SS101J		C 233	(A,92,84) 10 uF	CCG1192	
R 712	(A,96,39)	RS1/16SS102J					
R 713	(A,95,37)	RS1/16SS151J		C 234	(A,102,80) 10 uF	CCG1192	
R 714	(A,98,35)	RS1/16SS151J		C 237	(A,99,79)	CCSRCH182J50	
R 715	(A,95,35)	RS1/16SS151J		C 238	(A,99,81)	CCSRCH182J50	
				C 240	(A,107,84)	CKSSYB222K50	
R 716	(A,96,31)	RS1/16SS221J		C 251	(A,32,127) 4.7 uF(B)	CCG1201	
R 717	(A,96,32)	RS1/16SS104J		C 252	(A,31,129) 4.7 uF(B)	CCG1201	
R 751	(A,95,47)	RS1/16SS473J		C 253	(A,12,127) 4.7 uF	CCG1201	
R 752	(A,97,47)	RS1/16SS103J					
R 753	(A,139,133)	RS1/10SR821J		C 254	(A,19,128) 4.7 uF	CCG1201	
				C 259	(A,5,127)	CKSRYB102K50	E
R 801	(A,118,18)	RS1/10SR101J		C 260	(A,50,127) 4.7 uF	CCG1201	
R 802	(A,114,20)	RS1/10SR101J		C 261	(A,50,131) 4.7 uF	CCG1201	
R 806	(A,105,16)	RS1/10SR222J		C 301	(A,74,129)	CKSRYB474K10	
R 807	(A,107,14)	RS1/10SR222J					
R 808	(A,105,18)	RS1/16SS822J		C 302	(A,81,129)	CKSRYB474K10	
				C 303	(A,75,129)	CKSRYB474K10	
R 809	(A,111,18)	RS1/10SR8R2J		C 304	(A,79,129)	CKSRYB474K10	
R 810	(A,109,18)	RS1/10SR8R2J		C 305	(A,73,132)	CKSRYB474K10	
R 811	(A,123,13)	RS1/10SR222J		C 306	(A,81,132)	CKSRYB474K10	
R 812	(A,102,15)	RS1/10SR222J					
R 813	(A,101,15)	RS1/10SR222J		C 307	(A,76,132)	CKSRYB474K10	
				C 308	(A,79,132)	CKSRYB474K10	
R 814	(A,116,16)	RS1/10SR101J		C 309	(A,136,135)	CKSRYB104K16	F
R 821	(A,117,16)	RS1/16SS223J		C 310	(A,84,130) 2.2 uF	CCG1205	
R 822	(A,113,18)	RS1/16SS223J		C 311	(A,87,128) 2.2 uF	CCG1205	
R 873	(A,121,22)	RS1/16SS562J					

	1		2		3		4	
	<u>Circuit Symbol and No.</u>		<u>Part No.</u>		<u>Circuit Symbol and No.</u>		<u>Part No.</u>	
	C 312	(A,99,124)	CKSRYB104K16	C 552	(A,127,46)	CKSSYB104K10		
	C 313	(A,69,130)	CEVW100M16	C 601	(A,118,51)	CKSRYB104K16		
A	C 314	(A,65,132)	CCSRCH100D50	C 602	(A,124,51)	CKSSYB104K10		
	C 315	(A,85,128)	CCSRCH100D50	C 603	(A,130,51)	CKSSYB104K10		
	C 318	(A,106,129)	CCSRCH100D50	C 604	(A,139,55)	CKSSYB104K10		
	C 319	(A,103,129)	CCSRCH100D50	C 605	(A,109,56)	CKSSYB104K10		
	C 320	(A,95,132)	CCSRCH100D50	C 606	(A,139,57)	CKSSYB104K10		
	C 321	(A,92,137)	CCSRCH100D50	C 607	(A,109,58)	CKSSYB104K10		
	C 351	(A,113,112) 10 uF	CCG1192	C 608	(A,139,63)	CKSSYB104K10		
	C 401	(A,155,107)	CCSSCH330J50	C 609	(A,109,64)	CKSSYB104K10		
	C 402	(A,158,105)	CCSSCH6R0D50	C 610	(A,139,65)	CKSSYB104K10		
	C 403	(A,160,105)	CKSSYB103K16	C 616	(A,139,69)	CKSSYB104K10		
	C 404	(A,150,101)	CKSSYB104K10	C 618	(A,140,70)	CKSSYB104K10		
B	C 405	(A,147,101)	CKSSYB104K10	C 619	(A,110,71)	CKSSYB104K10		
	C 406	(A,159,101)	CKSSYB103K16	C 620	(A,105,74)	CKSSYB104K10		
	C 407	(A,148,101)	CKSSYB104K10	C 621	(A,139,75)	CKSSYB104K10		
	C 409	(A,161,101)	CKSSYB103K16	C 622	(A,113,81)	CKSSYB104K10		
	C 410	(A,148,100)	CKSSYB103K16	C 623	(A,118,81)	CKSSYB104K10		
	C 411	(A,145,102)	CKSSYB103K16	C 624	(A,119,81)	CKSSYB104K10		
	C 412	(A,144,101) 10 uF	CCG1192	C 625	(A,120,81)	CKSSYB104K10		
	C 413	(A,155,101)	CKSSYB103K16	C 626	(A,122,81)	CKSSYB104K10		
	C 414	(A,153,103)	CKSRYB105K10	C 627	(A,124,81)	CKSSYB104K10		
	C 415	(A,142,98)	CKSSYB103K16	C 628	(A,127,81)	CKSSYB104K10		
	C 416	(A,158,96)	CKSRYB224K16	C 629	(A,137,79)	CKSSYB104K10		
C	C 417	(A,160,97)	CKSSYB104K10	C 630	(A,114,81)	CKSSYB104K10		
	C 418	(A,139,98) 10 uF	CCG1192	C 632	(A,129,86)	CCSSCH120J50		
	C 419	(A,158,93)	CKSRYB105K10	C 633	(A,131,86)	CCSSCH120J50		
	C 420	(A,140,96)	CKSSYB104K10	C 638	(A,121,84)	CKSRYB105K10		
	C 421	(A,138,95)	CCSSCH101J50	C 639	(A,139,60)	CKSSYB104K10		
	C 422	(A,143,97)	CKSSYB104K10	C 640	(A,110,61)	CKSSYB104K10		
	C 423	(A,137,94)	CKSSYB103K16	C 651	(A,148,74)	CKSRYB105K10		
	C 424	(A,162,92)	CKSSYB472K25	C 671	(A,121,33)	CKSSYB104K10		
	C 425	(A,162,93)	CKSSYB472K25	C 701	(A,98,41)	CKSSYB103K16		
	C 426	(A,158,91)	CKSSYB104K10	C 702	(A,95,29)	CCSSCH6R0D50		
	C 427	(A,138,90)	CCSSCH820J50	C 707	(A,94,39)	CCSSCH100D50		
D	C 428	(A,161,90)	CCSSCH100D50	C 751	(A,141,125) 10 uF	CCG1192		
	C 429	(A,161,85)	CCSSCH100D50	C 754	(A,140,133)	CKSSYB104K10		
	C 430	(A,142,84)	CKSRYB474K10	C 801	(A,124,15)	CKSRYB102K50		
	C 431	(A,159,83)	CKSSYB104K10	C 804	(A,99,16)	CKSRYB104K16		
	C 432	(A,157,83) 2.2 uF	CCG1205	C 808	(A,95,18)	CKSRYB104K16		
	C 434	(A,141,89)	CKSSYB102K50	C 809	(A,121,13)	CKSRYB104K16		
	C 435	(A,157,85) (A,C,D)	CKSSYB104K10	C 812	(A,117,13)	CKSRYB105K16		
	C 436	(A,144,77) (A,C,D)	CCSRCH471J50	C 817	(A,108,15)	CKSSYB104K10		
	C 437	(A,156,82)	CKSSYB104K10	C 871	(A,122,17)	CKSRYB104K16		
	C 440	(A,149,83)	CKSSYB104K10	C 892	(A,99,66) 10 uF	CCG1192		
E	C 441	(A,151,82) 2.2 uF	CCG1205	C 895	(A,97,62)	CKSRYB105K10		
	C 442	(A,151,83) (A,C,D)	CKSRYB105K10	C 901	(A,133,125) 3 300 uF/16 V	CCH1732		
	C 443	(A,146,106) (B)	CKSSYB103K16	C 913	(A,140,40)	CKSSYB102K50		
	C 445	(A,143,101)	CKSSYB223K16	C 914	(A,140,43) 4.7 uF	CCG1201		
	C 447	(A,145,82)	CKSSYB102K50	C 916	(A,153,43) 4.7 uF	CCG1201		
	C 451	(A,142,103) (A,C,D)	CCSSCK2R0C50	C 917	(A,137,41) 4.7 uF	CCG1201		
	C 453	(A,140,89)	CKSSYB102K50	C 918	(A,158,43) 4.7 uF	CCG1201		
	C 501	(A,88,101)	CKSRYB105K10	C 919	(A,148,44)	CKSSYB102K50		
	C 503	(A,33,119)	CEVQW221M6R3	C 920	(A,151,43) 4.7 uF	CCG1201		
	C 504	(A,88,94)	CKSRYB105K10	C 921	(A,133,41)	CKSRYB104K16		
	C 505	(A,12,121)	CEJQ221M16	C 922	(A,159,53)	CEAT102M16(P30)		
F	C 506	(A,27,113)	CKSSYB153K16	C 923	(A,159,43)	CKSSYB102K50		
	C 508	(A,25,115)	CCSSCH220J50	C 926	(A,135,41)	CKSRYB102K50		
	C 509	(A,23,110)	CKSRYB105K16	C 931	(A,119,112)	CKSRYB104K16		
	C 551	(A,126,45)	CKSSYB104K10	C 973	(A,109,41) 10 uF	CCG1192		

5  
**Circuit Symbol and No.**

6  
**Part No.**

C 974	(A,109,31)	CCSRCH221J50
C 975	(A,106,31)	CCSRCH471J50
C 976	(A,103,40)	CCSRCH471J50
C 977	(A,102,46)	CKSRYB105K10
C 978	(A,102,47)	CKSRYB105K10

**B**

**Unit Number : YWM5492(A,C)**  
**: YWM5488(B)**  
**: YWM5489(D)**  
**Unit Name : Keyboard Assy**

**MISCELLANEOUS**

IC 1801	(B,87,23) IC	PD6340A
IC 1802	(A,160,35) Remote IC	GP1UXC14RK
D 1851	(A,11,40) LED(A,C,D)	CL-197HB1-D(CDE)
	(A,11,40) LED(RED) (B)	SML-D12V8W(PQ)
D 1852	(A,6,33) LED(A,C,D)	CL-197HB1-D(CDE)
	(A,6,33) LED(RED) (B)	SML-D12V8W(PQ)
D 1853	(A,6,23) LED(A,C,D)	CL-197HB1-D(CDE)
	(A,6,23) LED(RED) (B)	SML-D12V8W(PQ)
D 1854	(A,72,5) LED(A,C,D)	CL-197HB1-D(CDE)
	(A,72,5) LED(RED) (B)	SML-D12V8W(PQ)
D 1855	(A,7,12) LED(A,C,D)	CL-197HB1-D(CDE)
	(A,7,12) LED(RED) (B)	SML-D12V8W(PQ)
D 1856	(A,55,29) LED(A,C,D)	CL-197HB1-D(CDE)
	(A,55,29) LED(RED) (B)	SML-D12V8W(PQ)
D 1857	(A,59,20) LED(A,C,D)	CL-197HB1-D(CDE)
	(A,59,20) LED(RED) (B)	SML-D12V8W(PQ)
D 1858	(A,55,8) LED(A,C,D)	CL-197HB1-D(CDE)
	(A,55,8) LED(RED) (B)	SML-D12V8W(PQ)
D 1859	(A,18,20) LED(A,C,D)	CL-197HB1-D(CDE)
	(A,18,20) LED(RED) (B)	SML-D12V8W(PQ)
D 1860	(A,84,6) LED(A,C,D)	CL-197HB1-D(CDE)
	(A,84,6) LED(RED) (B)	SML-D12V8W(PQ)
D 1861	(A,96,6) LED(A,C,D)	CL-197HB1-D(CDE)
	(A,96,6) LED(RED) (B)	SML-D12V8W(PQ)
D 1862	(A,108,6) LED(A,C,D)	CL-197HB1-D(CDE)
	(A,108,6) LED(RED) (B)	SML-D12V8W(PQ)
D 1863	(A,144,8) LED(A,C,D)	CL-197HB1-D(CDE)
	(A,144,8) LED(RED) (B)	SML-D12V8W(PQ)
D 1864	(A,132,7) LED(A,C,D)	CL-197HB1-D(CDE)
	(A,132,7) LED(RED) (B)	SML-D12V8W(PQ)
D 1865	(A,120,7) LED(A,C,D)	CL-197HB1-D(CDE)
	(A,120,7) LED(RED) (B)	SML-D12V8W(PQ)
D 1866	(A,21,11) LED(A,C,D)	CL-197HB1-D(CDE)
	(A,21,11) LED(RED) (B)	SML-D12V8W(PQ)
D 1867	(A,23,32) LED(A,C,D)	CL-197HB1-D(CDE)
	(A,23,32) LED(RED) (B)	SML-D12V8W(PQ)
D 1913	(A,68,22) White LED	SMLXA4WBETW1(Z1)
X 1801	(B,76,22) Ceramic Resonator 5.00 MHz	CSS1547
S 1845	(A,39,18) Encoder(MULTI-CONTROL)	CSD1168
CN1821	(B,108,9) Connector	CKS6287
CN1901	(A,153,7) Jack	YKN5001
CN1911	(A,154,22) Connector	CKS6266
V 1801	(A,143,32) LCD	CAW1998

**RESISTORS**

R 1804	(B,146,29)	RS1/10SR101J
--------	------------	--------------

7  
**Circuit Symbol and No.**

8  
**Part No.**

R 1805	(B,74,18)	RS1/10SR222J
R 1806	(B,73,15)	RS1/10SR222J
R 1822	(B,54,27)	RS1/10SR273J
R 1823	(A,145,4)	RS1/10SR0R0J
R 1824	(B,24,19)	RS1/10SR0R0J
R 1852	(B,39,8) (A,C,D)	RS1/4SA102J
R 1856	(B,15,23) (A,C,D)	RS1/10SR332J
R 1858	(B,14,9) (A,C,D)	RS1/10SR332J
	(B,14,9) (B)	RS1/10SR122J
R 1860	(B,23,15) (A,C,D)	RS1/4SA102J
R 1862	(B,22,10) (A,C,D)	RS1/10SR222J
	(B,22,10) (B)	RS1/10SR182J
R 1864	(B,49,6) (A,C,D)	RS1/10SR222J
	(B,49,6) (B)	RS1/10SR182J
R 1866	(B,141,15) (A,C,D)	RS1/10SR222J
	(B,141,15) (B)	RS1/10SR182J
R 1868	(B,37,6) (B)	RS1/10SR681J
R 1880	(B,56,20)	RS1/4SA271J
R 1881	(B,19,20) (A,C,D)	RS1/10SR0R0J
R 1882	(B,21,20) (B)	RS1/10SR0R0J
R 1884	(B,12,24) (B)	RS1/10SR0R0J
R 1885	(B,15,24) (A,C,D)	RS1/10SR0R0J
R 1889	(B,54,26)	RS1/10SR0R0J
R 1899	(B,60,12)	RS1/4SA271J

**CAPACITORS**

C 1801	(B,149,33) 10 uF	CCG1192
C 1802	(B,97,24)	CKSRYB105K10

**C**

**Unit Number : CWX3985**  
**Unit Name : CD Core Unit(S11.1STD-DOUT)**

**MISCELLANEOUS**

IC 201	(A,28,33) IC	PE5756A
IC 301	(A,64,27) IC	BA5839FP
Q 101	(B,8,56) Transistor	2SA1577
Q 102	(B,21,51) Chip Digital Transistor	LTA123JUB
X 201	(A,15,27) Ceramic Resonator 16.934 MHz	CSS1603
S 901	(A,42,53) Switch(HOME)	CSN1080
S 903	(B,21,12) Switch(DSCSNS)	CSN1081
CN101	(A,16,58) Connector	CKS4808
CN701	(A,37,10) Connector	CKS6146

**RESISTORS**

R 101	(B,6,59)	RS1/10SR2R4J
R 102	(B,7,59)	RS1/10SR2R4J
R 103	(B,8,59)	RS1/10SR2R7J
R 108	(B,19,53)	RS1/16SS105J
R 109	(B,11,52)	RS1/16SS222J
R 214	(A,38,41)	RS1/16SS103J
R 215	(A,38,40)	RS1/16SS393J
R 216	(A,30,44)	RS1/16SS122J
R 217	(A,33,46)	RS1/16SS562J
R 218	(A,30,46)	RS1/16SS472J
R 225	(A,33,23)	RS1/16SS0R0J
R 229	(A,31,44)	RS1/16SS471J

1

**Circuit Symbol and No.**

R 232 (A,19,21)  
R 235 (A,45,32)  
R 236 (A,46,32)

2

**Part No.**

RS1/16SS0R0J  
RS1/16SS103J  
RS1/16SS103J

3

**Circuit Symbol and No.**

C 304 (A,60,35)  
C 305 (A,58,35)  
C 306 (A,68,20)

4

**Part No.**

CKSSYB472K25  
CKSSYB223K16  
CKSRYB105K10

A

R 237 (B,24,25)  
R 240 (B,26,30)  
R 245 (B,28,30)  
R 254 (B,29,30)  
R 260 (B,41,21)

RS1/16SS221J  
RS1/16SS473J  
RS1/16SS104J  
RS1/16SS104J  
RS1/16SS103J

C 710 (B,43,10)

CKSSYB102K50

**D**

**Unit Number : YWM5539(A,B,C)  
: YWM5494(D)**

**Unit Name : BT Unit**

**MISCELLANEOUS**

D 1 (A,7,39) Diode DZ2S068C  
D 2 (A,5,39) Diode DZ2S068C  
D 3 (A,6,44) Diode DZ2S068C  
D 4 (A,32,37) Diode DZ2S068C  
L 1 (A,36,36) Inductor CTF1389

CN1 (A,35,31) Connector CKS6192  
CN2 (A,43,29) Connector VKN1189

**RESISTORS**

R 6 (A,10,45) RS1/10SR0R0J

**CAPACITORS**

C 1 (A,26,41) Capacitor CEVW470M16  
C 3 (A,23,45) CKSRYB105K10  
C 4 (A,37,43) CEVW331M6R3  
C 6 (A,31,38) CCSRCH101J50

**CAPACITORS**

C 104 (B,11,55) CKSQYB475K6R3  
C 203 (A,18,35) CKSSYB104K10  
C 209 (A,17,28) CKSRYB104K16  
D C 210 (A,21,21) CKSSYB104K10  
C 211 (A,24,23) CKSSYB104K10

C 212 (A,38,33) CKSSYB104K10  
C 213 (A,40,41) CKSSYB332K50  
C 214 (A,40,40) CKSSYB473K10  
C 215 (A,38,37) CKSSYB104K10  
C 216 (A,36,46) CKSSYB182K50

C 217 (A,31,46) CCSSCH560J50  
C 218 (A,29,46) CCSSCH4R0C50  
C 219 (A,32,43) CKSSYB104K10  
E C 220 (B,32,41) CKSSYB104K10  
C 221 (A,35,43) CKSSYB104K10

C 222 (A,29,43) CKSSYB104K10  
C 223 (A,25,44) CCSSCH680J50  
C 224 (A,23,44) CCSSCH470J50  
C 225 (A,20,43) CKSSYB103K16  
C 228 (A,32,46) CCSSCH270J50

C 229 (B,28,40) CKSSYB104K10  
C 231 (B,44,28) CKSSYB102K50  
C 232 (B,45,28) CKSSYB102K50  
C 233 (B,25,25) CKSSYB103K16  
F C 236 (B,26,41) CKSSYB104K10

C 238 (A,15,35) CKSRYB104K16  
C 299 (A,17,33) CKSSYB104K10

**Miscellaneous Parts List**

M 1 Motor Unit(SPDL) CXE2273  
M 2 Motor Unit(LOAD/CRG) CXC4026  
Pickup Unit(P10.5)(Service) CXX1942