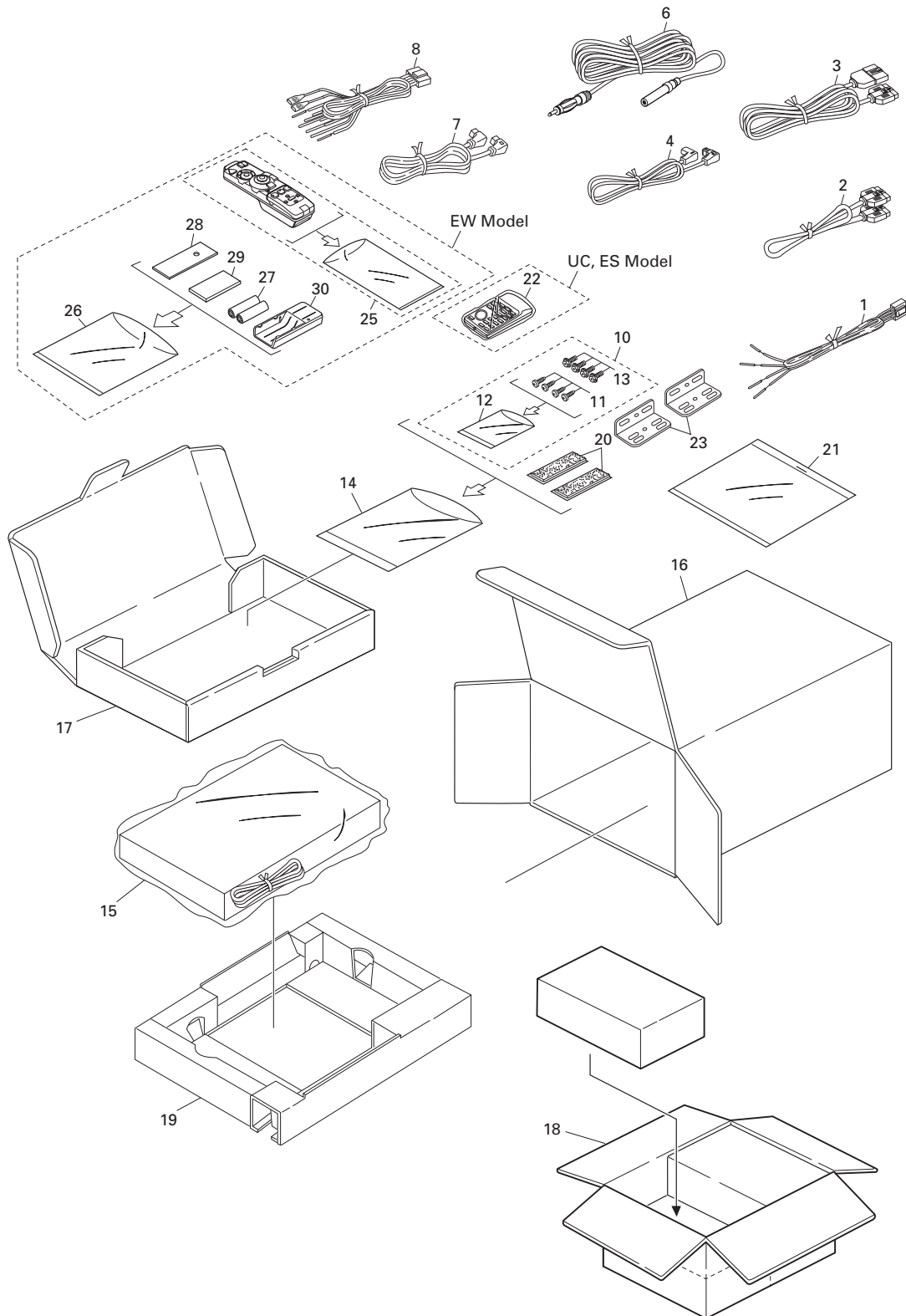


## 2. EXPLODED VIEWS AND PARTS LIST

### 2.1 PACKING



**NOTE:**

- Parts marked by “\*” are generally unavailable because they are not in our Master Spare Parts List.
- Screws adjacent to ∇ mark on the product are used for disassembly.

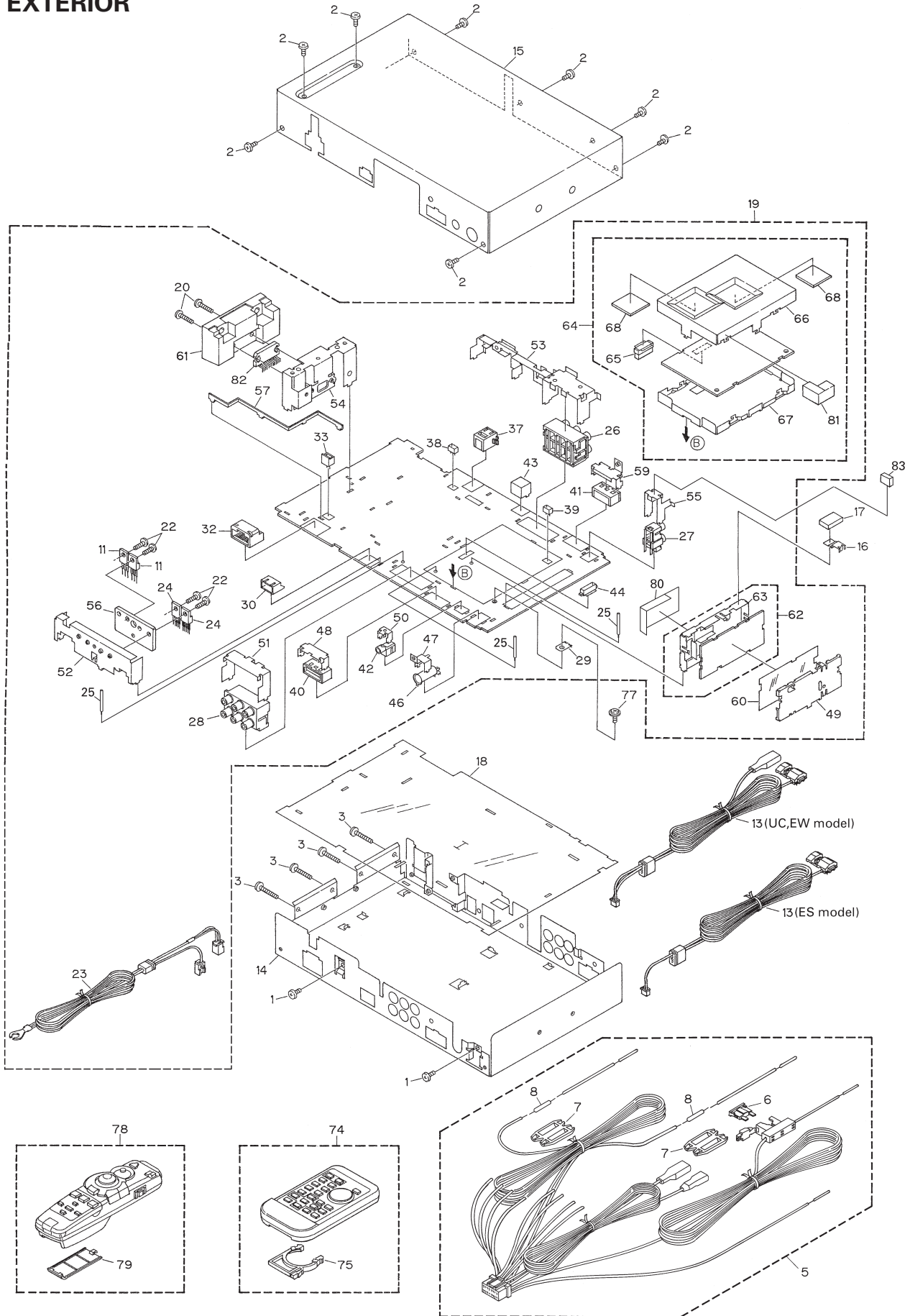
**● PACKING SECTION PARTS LIST**

| Mark | No.  | Description              | Part No.      |                 |                 |
|------|------|--------------------------|---------------|-----------------|-----------------|
|      |      |                          | AVM-P8000R/UC | AVM-P8000R/EW   | AVM-P8000/ES    |
|      | 1    | Cord Assy                | CDE5905       | CDE5905         | CDE5905         |
|      | 2    | Cord Assy                | CDE5906       | CDE5906         | Not used        |
|      | 3    | Cord Assy                | CDE5908       | CDE5908         | CDE5908         |
|      | 4    | Cord Assy                | CDE6016       | CDE6016         | CDE6016         |
|      | 5    | .....                    |               |                 |                 |
|      | 6    | Antenna Cord             | CDH1265       | CDH1265         | CDH1265         |
|      | 7    | Cord Assy                | CDE6365       | CDE6365         | CDE6365         |
|      | 8    | Cord Assy                | CDE6369       | CDE6369         | CDE6369         |
|      | 9    | .....                    |               |                 |                 |
| *    | 10   | Screw Assy               | CEA2440       | CEA2440         | CEA2440         |
|      | 11   | Screw                    | BNC40P120FZK  | BNC40P120FZK    | BNC40P120FZK    |
| *    | 12   | Polyethylene Bag         | CEG1158       | CEG1158         | CEG1158         |
|      | 13   | Screw                    | HMF40P080FZK  | HMF40P080FZK    | HMF40P080FZK    |
| *    | 14   | Polyethylene Bag         | CEG1101       | CEG1101         | CEG1101         |
|      | 15   | Polyethylene Bag         | CEG1181       | CEG1057 (Cover) | CEG1057 (Cover) |
|      | 16   | Carton                   | CHG4088       | CHG4086         | CHG4087         |
|      | 17   | Sub Carton               | CHG4089       | CHG4089         | CHG4089         |
|      | 18   | Contain Box              | CHL4088       | CHL4086         | CHL4087         |
|      | 19   | Protector                | CHP2280       | CHP2280         | CHP2280         |
|      | 20   | Fastener                 | CNM3728       | CNM3728         | CNM3728         |
|      | 21-1 | Owner's Manual           | CRB1604       | CRB1598         | CRB1606         |
|      | 21-2 | Owner's Manual           | CRB1605       | CRB1599         | CRB1607         |
|      | 21-3 | Owner's Manual           | Not used      | CRB1600         | CRB1608         |
|      | 21-4 | Owner's Manual           | Not used      | CRB1601         | CRB1609         |
|      | 21-5 | Owner's Manual           | Not used      | CRB1602         | CRB1610         |
|      | 21-6 | Owner's Manual           | Not used      | CRB1603         | Not used        |
| *    | 21-7 | Card                     | ARY1048       | Not used        | Not used        |
| *    | 21-8 | Warranty Card            | Not used      | CRY1157         | Not used        |
|      | 21-9 | Polyethylene Bag         | CEG1116       | CEG1116         | CEG1116         |
|      | 22   | Remote Control Assy      | CXB6029       | Not used        | CXB6028         |
|      | 23   | Angle                    | CNB2351       | CNB2351         | CNB2351         |
|      | 24   | .....                    |               |                 |                 |
|      | 25   | Remote Control Main Assy | Not used      | CPN1639         | Not used        |
|      | 26   | Polyethylene Bag         | Not used      | CEG1011         | Not used        |
|      | 27   | Battery                  | Not used      | CEX1021         | Not used        |
|      | 28   | Sheet                    | Not used      | CNM5288         | Not used        |
|      | 29   | Sheet                    | Not used      | CNM5472         | Not used        |
|      | 30   | Holder                   | Not used      | CNS4502         | Not used        |

● **Owner's Manual**

| Model         | Part No. | Language      |
|---------------|----------|---------------|
| AVM-P8000R/UC | CRB1604  | English       |
|               | CRB1605  | French        |
| AVM-P8000R/EW | CRB1598  | English       |
|               | CRB1599  | Spanish       |
|               | CRB1600  | German        |
|               | CRB1601  | French        |
|               | CRB1602  | Italian       |
|               | CRB1603  | Dutch         |
| AVM-P8000/ES  | CRB1606  | English       |
|               | CRB1607  | Spanish       |
|               | CRB1608  | Portuguese(B) |
|               | CRB1609  | Chinese       |
|               | CRB1610  | Arabic        |

## 2.2 EXTERIOR



(1) EXTERIOR SECTION PARTS LIST

| Mark No. | Description          | Part No.              | Mark No. | Description              | Part No.              |
|----------|----------------------|-----------------------|----------|--------------------------|-----------------------|
| 1        | Screw                | BSZ30P060FMC          | 44       | Connector(CN661)         | CKS4363               |
| 2        | Screw                | BSZ30P060FZK          | 45       | .....                    |                       |
| 3        | Screw                | BSZ30P200FMC          | 46       | Antenna Jack(CN401)      | CKX1056               |
| 4        | .....                |                       | 47       | Holder                   | CNC4569               |
| 5        | Cord Assy            | CDE6369               | 48       | Holder                   | CNC7047               |
| 6        | Fuse(10A)            | CEK1136               | 49       | Holder                   | CNC7533               |
| 7        | Cap                  | CNS1472               | 50       | Holder                   | CNC8205               |
| 8        | Resistor             | RS1/2PMF102J          | 51       | Holder                   | CNC8274               |
| 9,10     | .....                |                       | 52       | Holder                   | CNC8819               |
| 11       | Transistor(Q804,813) | 2SD2396               | 53       | Holder                   | CNC8820               |
| 12       | .....                |                       | 54       | Holder                   | CNC8821               |
| 13       | Cord Assy            | See Contrast table(2) | 55       | Holder                   | CNC8826               |
| 14       | Chassis              | CNA2292               | 56       | Heat Sink                | CNC8827               |
| 15       | Case                 | See Contrast table(2) | 57       | Buss Bar                 | CNC8841               |
| 16       | Holder               | CNC8964               | 58       | .....                    |                       |
| 17       | Cushion              | CNM7001               | 59       | Holder                   | See Contrast table(2) |
| 18       | Insulator            | CNM6988               | 60       | Insulator                | CNM5967               |
| 19       | Tuner Amp Unit       | See Contrast table(2) | 61       | Heat Sink                | CNR1570               |
| 20       | Screw                | BMZ26P160FMC          | 62       | FM/AM Tuner Unit         | See Contrast table(2) |
| 21       | .....                |                       | 63       | Holder                   | CNC7532               |
| 22       | Screw                | BSZ26P100FMC          | 64       | GDC Unit                 | CWM7146               |
| 23       | Cord Assy            | CDE6443               | 65       | Connector(CN1601)        | CKS4365               |
| 24       | IC(IC800,801)        | BA05ST-V5             | 66       | Shield                   | CNC9134               |
| 25       | Clamper              | CEF1007               | 67       | Shield                   | CNC9135               |
| 26       | Pin Jack(CN101)      | CKB1037               | 68       | Sheet                    | CNM6866               |
| 27       | Pin Jack(CN200)      | CKB1045               | 69-73    | .....                    |                       |
| 28       | Pin Jack(CN920)      | CKB1038               | 74       | Remote Control Assy      | See Contrast table(2) |
| 29       | Terminal(CN402)      | CKF1059               | 75       | Cover                    | See Contrast table(2) |
| 30       | Plug(CN202)          | CKM1131               | 76       | .....                    |                       |
| 31       | .....                |                       | 77       | Screw                    | ISS26P055FUC          |
| 32       | Plug(CN800)          | CKM1278               | 78       | Remote Control Main Assy | See Contrast table(2) |
| 33       | Plug(CN802)          | CKM1325               | 79       | Case                     | See Contrast table(2) |
| 34-36    | .....                |                       | 80       | Sheet                    | CNM7002               |
| 37       | Connector(CN160)     | CKS3414               | 81       | Sheet                    | CNM7003               |
| 38       | Connector(CN801)     | CKS3582               | 82       | IC(IC901)                | PAL005A               |
| 39       | Connector(CN260)     | CKS3596               | 83       | Cushion                  | CNM7052               |
| 40       | Connector(CN350)     | CKS3644               |          |                          |                       |
| 41       | Connector(CN1)       | See Contrast table(2) |          |                          |                       |
| 42       | Connector(CN100)     | CKS4124               |          |                          |                       |
| 43       | Connector(CN185)     | CKS4362               |          |                          |                       |

# AVM-P8000R,P8000

## (2) CONTRAST TABLE

AVM-P8000R/UC, AVM-P8000R/EW and AVM-P8000/ES are constructed the same except for the following:

| Mark | No. | Description              | Part No.      |               |              |
|------|-----|--------------------------|---------------|---------------|--------------|
|      |     |                          | AVM-P8000R/UC | AVM-P8000R/EW | AVM-P8000/ES |
|      | 13  | Cord Assy                | CDE6370       | CDE6370       | CDE6386      |
|      | 15  | Case                     | CNB2594       | CNB2594       | CNB2593      |
|      | 19  | Tuner Amp Unit           | CWM7153       | CWM7154       | CWM7155      |
|      | 41  | Connector(CN1)           | CKS3645       | CKS3645       | Not used     |
|      | 59  | Holder                   | CNC8963       | CNC8963       | Not used     |
|      | 62  | FM/AM Tuner Unit         | CWE1501       | CWE1500       | CWE1501      |
|      | 74  | Remote Control Assy      | CXB6029       | Not used      | CXB6028      |
|      | 75  | Cover                    | CZN5357       | Not used      | CZN5357      |
|      | 78  | Remote Control Main Assy | Not used      | CPN1639       | Not used     |
|      | 79  | Case                     | Not used      | CNS6050       | Not used     |

## 5. ELECTRICAL PARTS LIST

**NOTE:**

- Parts whose parts numbers are omitted are subject to being not supplied.
- The part numbers shown below indicate chip components.

Chip Resistor

RS1/OSOOOJ,RS1/OOSOOOJ

Chip Capacitor (except for CQS.....)

CKS....., CCS....., CSZS.....

| ====Circuit Symbol & No.====Part Name   | Part No. | ====Circuit Symbol & No.====Part Name | Part No.    |
|---|----------|---------------------------------------|-------------|
| <b>B</b> Unit Number : CWE1501<br>(AVM-P8000R/UC)<br>(AVM-P8000/ES)<br>Unit Name : FM/AM Tuner Unit |          | R 31                                  | RS1/16S0R0J |
|   |          | R 51                                  | RS1/16S470J |
|   |          | R 52                                  | RS1/16S103J |
|   |          | R 53                                  | RS1/16S103J |
|   |          | R 54                                  | RS1/16S331J |
|   |          | R 55                                  | RS1/16S331J |
|   |          | R 56                                  | RS1/16S560J |
|   |          | R 57                                  | RS1/16S560J |
|   |          | R 58                                  | RS1/16S102J |
|   |          | R 59                                  | RS1/16S225J |
|   |          | R 60                                  | RS1/16S133J |
|   |          | R 61                                  | RS1/16S433J |
|   |          | R 101                                 | RS1/16S333J |
|   |          | R 102                                 | RS1/16S103J |
|   |          | R 103                                 | RS1/16S333J |
|   |          | R 104                                 | RS1/16S562J |
|   |          | R 110                                 | RS1/16S154J |
|   |          | R 111                                 | RS1/16S273J |
|   |          | R 113                                 | RS1/16S222J |
|   |          | R 114                                 | RS1/16S333J |
|   |          | R 115                                 | RS1/16S334J |
|   |          | R 116                                 | RS1/16S473J |
|   |          | R 202                                 | RS1/16S472J |
|   |          | R 203                                 | RS1/16S225J |
|   |          | R 204                                 | RS1/16S102J |
|   |          | R 205                                 | RS1/16S220J |
|   |          | R 206                                 | RS1/16S471J |
|   |          | R 208                                 | RS1/16S104J |
|   |          | R 209                                 | RS1/16S104J |
|   |          | R 210                                 | RS1/16S563J |
|   |          | R 213                                 | RS1/16S223J |
|   |          | R 251                                 | RS1/16S225J |
|   |          | R 902                                 | RS1/16S103J |
|   |          | R 904                                 | RS1/16S473J |
|   |          | R 907                                 | RS1/16S103J |
|   |          | R 908                                 | RS1/16S681J |
|   |          | R 909                                 | RS1/16S473J |
|   |          | R 914                                 | RS1/16S562J |

**RESISTORS**

|      |             |
|------|-------------|
| R 1  | RS1/16S183J |
| R 2  | RS1/16S103J |
| R 5  | RS1/16S0R0J |
| R 7  | RS1/16S273J |
| R 8  | RS1/16S473J |
| R 9  | RS1/16S223J |
| R 10 | RS1/16S473J |
| R 11 | RS1/16S221J |
| R 12 | RS1/16S103J |
| R 13 | RS1/16S104J |
| R 16 | RS1/16S223J |
| R 17 | RS1/16S221J |
| R 18 | RS1/16S221J |
| R 19 | RS1/16S473J |
| R 20 | RS1/16S470J |

**CAPACITORS**

|      |              |
|------|--------------|
| C 1  | CCSQCH4R0C50 |
| C 6  | CKSQYB105K10 |
| C 8  | CKSRYB222K50 |
| C 10 | CCSRCH220J50 |
| C 11 | CCSRCH150J50 |
| C 12 | CCSRCH8R0D50 |
| C 14 | CCSRCJ3R0C50 |
| C 15 | CKSRYB103K50 |
| C 16 | CKSRYB222K50 |
| C 17 | CKSRYB222K50 |
| C 18 | CCSRCJ3R0C50 |
| C 19 | CKSRYB103K50 |
| C 20 | CKSRYB103K50 |
| C 21 | CKSRYB103K50 |
| C 24 | CKSQYB334K16 |



# AVM-P800OR,P8000

| ====Circuit Symbol & No.===Part Name | Part No.     | ====Circuit Symbol & No.===Part Name | Part No.     |
|--------------------------------------|--------------|--------------------------------------|--------------|
| R 16                                 | RS1/16S223J  | C 21                                 | CKSRYP103K50 |
| R 17                                 | RS1/16S221J  | C 24                                 | CKSQYB334K16 |
| R 18                                 | RS1/16S221J  | C 31                                 | CKSRYP222K50 |
| R 19                                 | RS1/16S473J  | C 32                                 | CCSRCH470J50 |
| R 20                                 | RS1/16S470J  | C 35                                 | CKSRYP103K50 |
| R 51                                 | RS1/16S470J  | C 51                                 | CKSRYP103K50 |
| R 52                                 | RS1/16S103J  | C 52                                 | CKSRYP473K16 |
| R 53                                 | RS1/16S103J  | C 53                                 | CCSRCK2R0C50 |
| R 54                                 | RS1/16S331J  | C 54                                 | CKSRYP103K50 |
| R 55                                 | RS1/16S331J  | C 55                                 | CKSRYP104K16 |
| R 56                                 | RS1/16S560J  | C 56                                 | CKSRYP104K16 |
| R 57                                 | RS1/16S560J  | C 58                                 | CKSQYB224K16 |
| R 58                                 | RS1/16S102J  | C 59                                 | CKSRYP223K25 |
| R 59                                 | RS1/16S225J  | C 60                                 | CKSRYP104K16 |
| R 60                                 | RS1/16S133J  | C 101                                | CEALNP100M10 |
| R 61                                 | RS1/16S433J  | C 102                                | CCSRCH151J50 |
| R 62                                 | RS1/16S562J  | C 103                                | CKSRYP473K16 |
| R 101                                | RS1/16S333J  | C 105                                | CKSRYP682K25 |
| R 102                                | RS1/16S103J  | C 106                                | CEAL2R2M50   |
| R 103                                | RS1/16S333J  | C 107                                | CKSRYP103K50 |
| R 104                                | RS1/16S562J  | C 108                                | CKSQYB474K16 |
| R 110                                | RS1/16S154J  | C 109                                | CKSQYB474K16 |
| R 111                                | RS1/16S273J  | C 110                                | CKSRYP104K16 |
| R 112                                | RS1/16S223J  | C 111                                | CKSRYP104K16 |
| R 113                                | RS1/16S222J  | C 112                                | CKSRYP104K16 |
| R 114                                | RS1/16S333J  | C 113                                | CKSRYP123K25 |
| R 115                                | RS1/16S334J  | C 114                                | CEAL220M6R3  |
| R 116                                | RS1/16S473J  | C 115                                | CKSRYP473K16 |
| R 117                                | RS1/16S333J  | C 116                                | CEAL2R2M50   |
| R 118                                | RS1/16S223J  | C 117                                | CKSRYP102K50 |
| R 122                                | RS1/16S0R0J  | C 120                                | CKSRYP153K25 |
| R 202                                | RS1/16S472J  | C 121                                | CKSRYP332K50 |
| R 203                                | RS1/16S225J  | C 122                                | CKSRYP682K25 |
| R 204                                | RS1/16S102J  | C 123                                | CKSRYP681K50 |
| R 205                                | RS1/16S220J  | C 125                                | CKSRYP103K50 |
| R 206                                | RS1/16S471J  | C 126                                | CKSRYP103K50 |
| R 208                                | RS1/16S104J  | C 127                                | CEAL2R2M50   |
| R 209                                | RS1/16S104J  | C 128                                | CKSRYP103K50 |
| R 210                                | RS1/16S563J  | C 201                                | CCSRCH471J50 |
| R 213                                | RS1/16S223J  | C 202                                | CCSRCH100D50 |
| R 251                                | RS1/16S225J  | C 203                                | CKSRYP104K16 |
| R 902                                | RS1/16S103J  | C 204                                | CKSRYP332K50 |
| R 904                                | RS1/16S473J  | C 205                                | CKSRYP103K50 |
| R 907                                | RS1/16S103J  | C 206                                | CKSRYP104K16 |
| R 908                                | RS1/16S681J  | C 207                                | CKSRYP473K16 |
| R 909                                | RS1/16S473J  | C 208                                | CCSRCH560J50 |
| R 914                                | RS1/16S562J  | C 209                                | CEAL470M6R3  |
|                                      |              | C 210                                | CKSRYP103K50 |
|                                      |              | C 211                                | CKSRYP103K50 |
|                                      |              | C 212                                | CCSRCH101J50 |
| <b>CAPACITORS</b>                    |              |                                      |              |
| C 1                                  | CCSQCH5R0C50 |                                      |              |
| C 2                                  | CCSRCH5R0C50 | C 215                                | CKSRYP223K25 |
| C 4                                  | CCSRCJ3R0C50 | C 216                                | CKSQYB334K16 |
| C 6                                  | CKSQYB105K10 | C 217                                | CKSRYP103K50 |
| C 8                                  | CKSRYP222K50 | C 219                                | CKSQYB105K10 |
|                                      |              | C 220                                | CKSRYP104K16 |
| C 10                                 | CCSRCH220J50 |                                      |              |
| C 11                                 | CCSRCH150J50 | C 221                                | CKSRYP473K16 |
| C 12                                 | CCSRCH8R0D50 | C 222                                | CKSQYB334K16 |
| C 14                                 | CCSRCJ3R0C50 | C 223                                | CKSQYB474K16 |
| C 15                                 | CKSRYP103K50 | C 224                                | CKSRYP104K16 |
|                                      |              | C 225                                | CKSRYP272K50 |
| C 16                                 | CKSRYP222K50 |                                      |              |
| C 17                                 | CKSRYP222K50 | C 226                                | CKSRYP682K25 |
| C 18                                 | CCSRCJ3R0C50 | C 902                                | CCSRCH270J50 |
| C 19                                 | CKSRYP103K50 | C 904                                | CKSRYP223K25 |
| C 20                                 | CKSRYP103K50 | C 905                                | CKSRYP103K50 |
|                                      |              | C 906                                | CCSRTH100D50 |



# AVM-P8000R,P8000

| ====Circuit Symbol & No.====Part Name |     |          | Part No.     | ====Circuit Symbol & No.====Part Name |     |                | Part No.     |
|---------------------------------------|-----|----------|--------------|---------------------------------------|-----|----------------|--------------|
| D                                     | 2   | Diode    | UDZ12(B)     | L                                     | 260 | Chip-Inductor  | LCTA2R2J3225 |
| D                                     | 3   | Diode    | UDZ12(B)     | L                                     | 261 | Chip-Inductor  | LCTA2R2J3225 |
| D                                     | 4   | Diode    | UDZ12(B)     | L                                     | 263 | Inductor       | CTF1305      |
| D                                     | 6   | Diode    | UDZ12(B)     | L                                     | 264 | Inductor       | CTF1305      |
| D                                     | 7   | Diode    | UDZ12(B)     | L                                     | 265 | Inductor       | LCTB2R2K2125 |
| D                                     | 9   | Diode    | UDZ12(B)     | L                                     | 266 | Inductor       | CTF1305      |
| D                                     | 10  | Diode    | UDZ12(B)     | L                                     | 267 | Inductor       | LCTB2R2K2125 |
| D                                     | 11  | Diode    | UDZ12(B)     | L                                     | 268 | Inductor       | LCTB2R2K2125 |
| D                                     | 12  | Diode    | UDZ12(B)     | L                                     | 269 | Inductor       | CTF1306      |
| D                                     | 13  | Diode    | UDZ12(B)     | L                                     | 270 | Inductor       | LCTB4R7K2125 |
| D                                     | 100 | Diode    | UDZ12(B)     | L                                     | 271 | Inductor       | LCTB4R7K2125 |
| D                                     | 101 | Diode    | UDZ12(B)     | L                                     | 272 | Inductor       | LCTB4R7K2125 |
| D                                     | 102 | Diode    | MA110        | L                                     | 274 | Inductor       | LCTB100K2125 |
| D                                     | 103 | Diode    | UDZ12(B)     | L                                     | 275 | Inductor       | CTF1305      |
| D                                     | 185 | Diode    | UDZ12(B)     | L                                     | 276 | Inductor       | CTF1399      |
| D                                     | 200 | Diode    | UDZ12(B)     | L                                     | 350 | Inductor       | LCTA680J3225 |
| D                                     | 260 | Diode    | MA110        | L                                     | 351 | Inductor       | LCTA680J3225 |
| D                                     | 261 | Diode    | MA110        | L                                     | 353 | Inductor       | CTF1305      |
| D                                     | 262 | Diode    | MA8039(H)    | L                                     | 355 | Inductor       | CTF1305      |
| D                                     | 263 | Diode    | MA152WK      | L                                     | 356 | Inductor       | CTF1305      |
| D                                     | 350 | Diode    | UDZ12(B)     | L                                     | 357 | Inductor       | CTF1305      |
| D                                     | 351 | Diode    | UDZ12(B)     | L                                     | 358 | Inductor       | CTF1399      |
| D                                     | 352 | Diode    | UDZ12(B)     | L                                     | 359 | Inductor       | CTF1399      |
| D                                     | 353 | Diode    | UDZ12(B)     | L                                     | 400 | Inductor       | LCTB4R7K2125 |
| D                                     | 354 | Diode    | UDZ12(B)     | L                                     | 408 | Inductor       | CTF1399      |
| D                                     | 355 | Diode    | UDZ12(B)     | L                                     | 409 | Inductor       | CTF1306      |
| D                                     | 357 | Diode    | UDZ12(B)     | L                                     | 410 | Inductor       | CTF1306      |
| D                                     | 358 | Diode    | UDZ12(B)     | L                                     | 411 | Inductor       | CTF1306      |
| D                                     | 359 | Diode    | UDZ12(B)     | L                                     | 412 | Inductor       | CTF1306      |
| D                                     | 360 | Diode    | UDZ12(B)     | L                                     | 413 | Chip-Inductor  | LCTA2R2J3225 |
| D                                     | 361 | Diode    | UDZ12(B)     | L                                     | 418 | Ferri-Inductor | LAU2R2K      |
| D                                     | 480 | Diode    | HZS16L(1)    | L                                     | 419 | Inductor       | CTF1399      |
| D                                     | 650 | Diode    | MA152WK      | L                                     | 500 | Inductor       | CTF1409      |
| D                                     | 651 | Diode    | MA110        | L                                     | 501 | Inductor       | CTF1409      |
| D                                     | 661 | Diode    | UDZ12(B)     | L                                     | 507 | Inductor       | CTF1420      |
| D                                     | 732 | Diode    | HZS9L(A2)    | L                                     | 508 | Inductor       | CTF1409      |
| D                                     | 733 | Diode    | MA152WK      | L                                     | 509 | Inductor       | CTF1306      |
| D                                     | 734 | Diode    | MA152WK      | L                                     | 510 | Inductor       | CTF1306      |
| D                                     | 800 | Diode    | ERA15-02VH   | L                                     | 512 | Inductor       | CTF1409      |
| D                                     | 801 | Diode    | HZS6L(B1)    | L                                     | 513 | Inductor       | CTF1409      |
| D                                     | 802 | Diode    | HZS9L(B3)    | L                                     | 600 | Inductor       | CTF1306      |
| D                                     | 804 | Diode    | MA152WK      | L                                     | 601 | Inductor       | CTF1420      |
| D                                     | 805 | Diode    | HZS6L(B1)    | L                                     | 602 | Inductor       | CTF1470      |
| D                                     | 806 | Diode    | HZS9L(B3)    | L                                     | 603 | Inductor       | CTF1306      |
| D                                     | 807 | Diode    | MA152WK      | L                                     | 604 | Inductor       | CTF1306      |
| D                                     | 808 | Diode    | ERA15-02VH   | L                                     | 605 | Inductor       | CTF1399      |
| D                                     | 809 | Diode    | MA152WK      | L                                     | 606 | Inductor       | CTF1399      |
| D                                     | 810 | Diode    | UDZ7R5(B)    | L                                     | 607 | Inductor       | CTF1306      |
| D                                     | 811 | Diode    | HZS7L(A1)    | L                                     | 650 | Inductor       | CTF1399      |
| D                                     | 814 | Diode    | ERA15-02VH   | L                                     | 660 | Inductor-Array | CTF1421      |
| D                                     | 815 | Diode    | MA152WK      | L                                     | 661 | Inductor-Array | CTF1421      |
| D                                     | 817 | Diode    | ERA15-02VH   | L                                     | 662 | Inductor       | CTF1306      |
| D                                     | 819 | Diode    | ERA15-02VH   | L                                     | 663 | Inductor       | CTF1306      |
| D                                     | 820 | Diode    | ERA15-02VH   | L                                     | 664 | Inductor       | CTF1306      |
| D                                     | 821 | Diode    | ERA15-02VH   | L                                     | 665 | Inductor       | CTF1306      |
| D                                     | 921 | Diode    | MA152WK      | L                                     | 666 | Inductor       | CTF1409      |
| L                                     | 1   | Inductor | CTF1305      | L                                     | 668 | Inductor       | CTF1306      |
| L                                     | 2   | Inductor | CTF1305      | L                                     | 669 | Inductor       | CTF1306      |
| L                                     | 3   | Inductor | CTF1305      | L                                     | 670 | Inductor       | CTF1306      |
| L                                     | 4   | Inductor | CTF1305      | L                                     | 672 | Inductor       | CTF1306      |
| L                                     | 100 | Inductor | LCTB2R2K2125 | L                                     | 673 | Inductor       | CTF1409      |
| L                                     | 101 | Inductor | LCTB2R2K2125 | L                                     | 674 | Inductor       | CTF1409      |
| L                                     | 150 | Inductor | LCTB4R7K2125 | L                                     | 675 | Inductor       | CTF1409      |
| L                                     | 151 | Inductor | LCTA220J3225 | L                                     | 676 | Inductor       | CTF1409      |
| L                                     | 160 | Inductor | LCTB3R3K2125 | L                                     | 677 | Inductor       | CTF1306      |

| ====Circuit Symbol & No.==== | Part Name                     | Part No.       | ====Circuit Symbol & No.==== | Part Name | Part No.    |
|------------------------------|-------------------------------|----------------|------------------------------|-----------|-------------|
| L 680                        | Inductor                      | CTF1399        | R 108                        |           | RS1/10S102J |
| L 681                        | Inductor                      | CTF1399        | R 109                        |           | RS1/10S220J |
| L 682                        | Inductor-Array                | CTF1421        | R 110                        |           | RS1/16S0R0J |
| L 683                        | Inductor                      | CTF1306        | R 111                        |           | RS1/16S0R0J |
| L 802                        | Choke Coil 100μH              | CTH1157        | R 112                        |           | RS1/16S102J |
| L 803                        | Choke Coil 390mH              | CTH1209        | R 113                        |           | RS1/16S102J |
| L 804                        | Ferri-Inductor                | LAU2R2K        | R 114                        |           | RS1/16S104J |
| L 805                        | Chip-Inductor                 | LCTA2R2J3225   | R 115                        |           | RS1/16S104J |
| L 806                        | Choke Coil 600mH              | CTH1171        | R 116                        |           | RS1/16S104J |
| L 808                        | Chip-Inductor                 | LCTA2R2J3225   | R 117                        |           | RS1/16S104J |
| L 809                        | Inductor                      | CTF1399        | R 118                        |           | RS1/16S123J |
| L 810                        | Inductor                      | CTF1489        | R 119                        |           | RS1/16S133J |
| L 980                        | Inductor                      | CTF1409        | R 120                        |           | RS1/16S473J |
| X 261                        | Crystal Resonator 3.579545MHz | CSS1465        | R 121                        |           | RS1/16S473J |
| X 500                        | Crystal Resonator 3.648MHz    | CSS1447        | R 122                        |           | RS1/16S473J |
| X 600                        | Radiator 12.5829MHz           | CSS1495        | R 123                        |           | RS1/16S473J |
| S 650                        | Switch(RESET)                 | CSG1046        | R 124                        |           | RS1/16S362J |
| VR 260                       | Semi-fixed 100kΩ(B)           | CCP1133        | R 125                        |           | RS1/16S362J |
| FU 1                         | Micro-Fuse 2A                 | CEK1190        | R 126                        |           | RS1/16S362J |
| FU 2                         | Micro-Fuse 2A                 | CEK1190        | R 127                        |           | RS1/16S362J |
| FU 3                         | Micro-Fuse 2A                 | CEK1190        | R 128                        |           | RS1/10S220J |
| FU 100                       | Micro-Fuse 2A                 | CEK1190        | R 129                        |           | RS1/10S821J |
| FU 150                       | Micro-Fuse 2A                 | CEK1190        | R 130                        |           | RS1/10S821J |
| FU 180                       | Micro-Fuse 2A                 | CEK1190        | R 131                        |           | RS1/16S104J |
| FU 200                       | Micro-Fuse 2A                 | CEK1190        | R 132                        |           | RS1/16S473J |
| FU 350                       | Micro-Fuse 2A                 | CEK1190        | R 133                        |           | RS1/16S0R0J |
| FU 351                       | Micro-Fuse 2A                 | CEK1190        | R 135                        |           | RS1/16S0R0J |
| FU 352                       | Micro-Fuse 2A                 | CEK1190        | R 136                        |           | RS1/16S223J |
| FU 800                       | Micro-Fuse 800mA              | CEK1206        | R 137                        |           | RS1/16S0R0J |
| FU 801                       | Micro-Fuse 2A                 | CEK1190        | R 140                        |           | RS1/16S223J |
|                              | FM/AM Tuner Unit              | CWE1501        | R 150                        |           | RS1/10S471J |
|                              | GDC Unit                      | CWM7146        | R 151                        |           | RS1/10S471J |
| AR 400                       | Surge Protector               | DSPS-201M-S00B | R 152                        |           | RS1/10S681J |
|                              |                               |                | R 153                        |           | RS1/10S0R0J |
|                              |                               |                | R 154                        |           | RS1/10S101J |
| <b>RESISTORS</b>             |                               |                |                              |           |             |
| R 1                          |                               | RS1/16S750J    | R 155                        |           | RS1/10S0R0J |
| R 2                          |                               | RS1/16S750J    | R 156                        |           | RS1/16S270J |
| R 3                          |                               | RS1/16S750J    | R 157                        |           | RS1/16S330J |
| R 4                          |                               | RS1/16S0R0J    | R 160                        |           | RS1/10S101J |
| R 5                          |                               | RS1/16S750J    | R 161                        |           | RS1/10S620J |
| R 7                          |                               | RS1/16S0R0J    | R 162                        |           | RS1/10S101J |
| R 9                          |                               | RS1/16S0R0J    | R 163                        |           | RS1/10S181J |
| R 10                         |                               | RS1/16S0R0J    | R 164                        |           | RS1/10S223J |
| R 11                         |                               | RS1/16S0R0J    | R 165                        |           | RS1/10S102J |
| R 15                         |                               | RS1/16S0R0J    | R 166                        |           | RS1/16S102J |
| R 16                         |                               | RS1/10S0R0J    | R 167                        |           | RS1/10S223J |
| R 17                         |                               | RS1/10S332J    | R 168                        |           | RS1/16S181J |
| R 18                         |                               | RS1/10S333J    | R 169                        |           | RS1/16S183J |
| R 19                         |                               | RS1/10S104J    | R 170                        |           | RS1/10S222J |
| R 20                         |                               | RS1/10S473J    | R 171                        |           | RS1/16S102J |
| R 60                         |                               | RS1/10S101J    | R 172                        |           | RS1/16S102J |
| R 61                         |                               | RS1/10S473J    | R 173                        |           | RS1/10S472J |
| R 62                         |                               | RS1/10S473J    | R 174                        |           | RS1/10S223J |
| R 63                         |                               | RS1/10S563J    | R 175                        |           | RS1/16S473J |
| R 64                         |                               | RS1/10S563J    | R 176                        |           | RS1/16S473J |
| R 65                         |                               | RS1/10S473J    | R 177                        |           | RS1/10S0R0J |
| R 66                         |                               | RS1/10S473J    | R 178                        |           | RS1/16S0R0J |
| R 100                        |                               | RS1/10S0R0J    | R 179                        |           | RS1/16S0R0J |
| R 101                        |                               | RS1/10S0R0J    | R 185                        |           | RS1/16S0R0J |
| R 102                        |                               | RS1/16S750J    | R 186                        |           | RS1/16S0R0J |
| R 103                        |                               | RS1/10S101J    | R 187                        |           | RS1/16S0R0J |
| R 104                        |                               | RS1/10S101J    | R 188                        |           | RS1/16S101J |
| R 105                        |                               | RS1/16S223J    | R 189                        |           | RS1/16S473J |
| R 106                        |                               | RS1/16S223J    | R 190                        |           | RS1/16S473J |
| R 107                        |                               | RS1/10S102J    | R 191                        |           | RS1/16S0R0J |

# AVM-P800OR,P8000

| ====Circuit Symbol & No.===Part Name | Part No.      | ====Circuit Symbol & No.===Part Name | Part No.      |
|--------------------------------------|---------------|--------------------------------------|---------------|
| R 192                                | RS1/16S103J   | R 285                                | RN1/10SE1002D |
| R 193                                | RS1/16S103J   | R 286                                | RS1/10S101J   |
| R 194                                | RS1/16S473J   | R 287                                | RS1/10S101J   |
| R 195                                | RS1/16S473J   | R 288                                | RS1/10S222J   |
| R 200                                | RS1/10S750J   | R 289                                | RS1/10S101J   |
| R 205                                | RS1/16S104J   | R 290                                | RS1/10S101J   |
| R 206                                | RS1/16S104J   | R 291                                | RS1/10S103J   |
| R 207                                | RS1/16S102J   | R 292                                | RS1/10S103J   |
| R 208                                | RS1/16S104J   | R 293                                | RS1/10S331J   |
| R 209                                | RS1/16S104J   | R 294                                | RS1/10S102J   |
| R 210                                | RS1/16S102J   | R 295                                | RS1/10S331J   |
| R 211                                | RN1/16SE1002D | R 296                                | RS1/10S102J   |
| R 212                                | RN1/16SE1002D | R 297                                | RS1/10S331J   |
| R 213                                | RN1/16SE1002D | R 298                                | RS1/10S102J   |
| R 214                                | RN1/16SE1002D | R 299                                | RS1/16S471J   |
| R 215                                | RN1/16SE4701D | R 300                                | RS1/16S471J   |
| R 216                                | RN1/16SE4701D | R 301                                | RS1/16S471J   |
| R 217                                | RN1/16SE4701D | R 302                                | RS1/16S471J   |
| R 218                                | RN1/16SE4701D | R 303                                | RS1/16S471J   |
| R 219                                | RS1/10S103J   | R 304                                | RS1/16S471J   |
| R 220                                | RS1/10S103J   | R 305                                | RS1/10S0R0J   |
| R 230                                | RS1/16S0R0J   | R 306                                | RS1/10S0R0J   |
| R 231                                | RS1/16S223J   | R 307                                | RS1/10S0R0J   |
| R 232                                | RS1/16S223J   | R 309                                | RS1/10S0R0J   |
| R 233                                | RS1/16S223J   | R 310                                | RS1/10S0R0J   |
| R 234                                | RS1/16S222J   | R 311                                | RS1/10S0R0J   |
| R 235                                | RS1/16S0R0J   | R 350                                | RS1/10S104J   |
| R 236                                | RS1/16S104J   | R 351                                | RS1/10S750J   |
| R 237                                | RS1/16S223J   | R 352                                | RS1/10S750J   |
| R 238                                | RS1/16S561J   | R 353                                | RS1/10S750J   |
| R 239                                | RS1/16S223J   | R 354                                | RS1/10S750J   |
| R 241                                | RS1/16S473J   | R 355                                | RS1/16S0R0J   |
| R 242                                | RS1/16S101J   | R 360                                | RS1/16S0R0J   |
| R 243                                | RS1/16S101J   | R 364                                | RS1/16S0R0J   |
| R 244                                | RS1/16S473J   | R 365                                | RS1/16S0R0J   |
| R 245                                | RS1/16S104J   | R 366                                | RS1/16S0R0J   |
| R 246                                | RS1/16S104J   | R 368                                | RS1/10S0R0J   |
| R 247                                | RS1/16S222J   | R 370                                | RS1/10S0R0J   |
| R 248                                | RS1/16S222J   | R 371                                | RS1/16S0R0J   |
| R 249                                | RS1/16S473J   | R 400                                | RS1/10S0R0J   |
| R 250                                | RS1/16S473J   | R 401                                | RS1/10S473J   |
| R 259                                | RS1/16S750J   | R 402                                | RS1/16S103J   |
| R 260                                | RS1/16S0R0J   | R 403                                | RS1/10S473J   |
| R 261                                | RS1/10S471J   | R 404                                | RS1/10S681J   |
| R 262                                | RS1/10S0R0J   | R 405                                | RS1/10S681J   |
| R 264                                | RS1/10S101J   | R 406                                | RS1/10S272J   |
| R 265                                | RS1/16S473J   | R 407                                | RS1/10S272J   |
| R 266                                | RS1/10S0R0J   | R 408                                | RS1/10S102J   |
| R 267                                | RS1/10S471J   | R 410                                | RS1/16S393J   |
| R 268                                | RS1/10S471J   | R 411                                | RS1/10S162J   |
| R 269                                | RS1/16S0R0J   | R 412                                | RS1/10S162J   |
| R 270                                | RS1/16S471J   | R 414                                | RS1/16S0R0J   |
| R 271                                | RS1/10S103J   | R 415                                | RS1/16S0R0J   |
| R 272                                | RS1/10S102J   | R 417                                | RS1/16S681J   |
| R 273                                | RN1/10SE1002D | R 418                                | RS1/10S0R0J   |
| R 274                                | RS1/10S471J   | R 419                                | RS1/16S681J   |
| R 275                                | RS1/10S471J   | R 420                                | RS1/16S681J   |
| R 276                                | RS1/10S0R0J   | R 421                                | RS1/16S681J   |
| R 277                                | RS1/10S0R0J   | R 424                                | RS1/16S473J   |
| R 278                                | RN1/10SE1002D | R 425                                | RS1/16S473J   |
| R 279                                | RS1/10S681J   | R 426                                | RS1/10S473J   |
| R 281                                | RS1/10S102J   | R 427                                | RS1/16S472J   |
| R 282                                | RS1/10S222J   | R 429                                | RS1/16S473J   |
| R 283                                | RS1/10S123J   | R 430                                | RS1/16S0R0J   |
| R 284                                | RS1/10S222J   | R 431                                | RS1/16S0R0J   |

| ====Circuit Symbol & No.====Part Name | Part No.    | ====Circuit Symbol & No.====Part Name | Part No.    |
|---------------------------------------|-------------|---------------------------------------|-------------|
| R 445                                 | RS1/16S0R0J | R 650                                 | RS1/10S0R0J |
| R 446                                 | RS1/16S0R0J | R 651                                 | RS1/10S471J |
| R 480                                 | RS1/8S151J  | R 652                                 | RS1/10S822J |
| R 491                                 | RS1/16S0R0J | R 662                                 | RS1/10S0R0J |
| R 492                                 | RS1/10S0R0J | R 664                                 | RS1/16S0R0J |
| R 500                                 | RS1/16S102J | R 665                                 | RS1/16S0R0J |
| R 501                                 | RS1/16S0R0J | R 682                                 | RS1/16S104J |
| R 502                                 | RS1/16S225J | R 683                                 | RS1/16S103J |
| R 503                                 | RS1/16S102J | R 684                                 | RS1/16S103J |
| R 504                                 | RS1/16S681J | R 685                                 | RS1/16S163J |
| R 507                                 | RS1/16S0R0J | R 686                                 | RS1/10S104J |
| R 508                                 | RS1/16S473J | R 687                                 | RS1/10S102J |
| R 509                                 | RS1/10S0R0J | R 689                                 | RS1/16S473J |
| R 510                                 | RS1/16S0R0J | R 690                                 | RS1/16S102J |
| R 511                                 | RS1/16S102J | R 691                                 | RS1/16S102J |
| R 512                                 | RS1/16S0R0J | R 692                                 | RS1/16S102J |
| R 513                                 | RS1/16S0R0J | R 698                                 | RS1/16S0R0J |
| R 515                                 | RS1/10S0R0J | R 700                                 | RS1/16S102J |
| R 516                                 | RS1/10S0R0J | R 701                                 | RS1/16S102J |
| R 601                                 | RS1/16S0R0J | R 702                                 | RS1/16S104J |
| R 602                                 | RS1/16S102J | R 703                                 | RS1/16S104J |
| R 603                                 | RS1/16S102J | R 736                                 | RS1/10S473J |
| R 604                                 | RS1/16S102J | R 737                                 | RS1/16S103J |
| R 605                                 | RS1/16S222J | R 738                                 | RS1/10S103J |
| R 606                                 | RS1/16S222J | R 739                                 | RS1/10S103J |
| R 607                                 | RS1/16S473J | R 740                                 | RS1/10S333J |
| R 608                                 | RA3C102J    | R 742                                 | RS1/16S224J |
| R 609                                 | RS1/16S473J | R 743                                 | RS1/16S473J |
| R 611                                 | RS1/16S473J | R 745                                 | RS1/16S0R0J |
| R 613                                 | RAB4C471J   | R 800                                 | RS1/16S102J |
| R 614                                 | RAB4C221J   | R 801                                 | RS1/16S102J |
| R 616                                 | RS1/16S473J | R 802                                 | RS1/10S473J |
| R 617                                 | RS1/16S102J | R 803                                 | RS1/10S473J |
| R 618                                 | RS1/16S221J | R 804                                 | RS1/10S472J |
| R 619                                 | RS1/16S473J | R 806                                 | RS1/10S102J |
| R 620                                 | RS1/10S102J | R 807                                 | RS1/10S102J |
| R 621                                 | RS1/16S101J | R 808                                 | RS1/10S472J |
| R 622                                 | RS1/16S103J | R 810                                 | RS1/10S472J |
| R 623                                 | RS1/16S101J | R 811                                 | RD1/4PU271J |
| R 624                                 | RS1/16S103J | R 812                                 | RD1/4PU271J |
| R 625                                 | RS1/16S473J | R 813                                 | RS1/10S472J |
| R 626                                 | RS1/16S473J | R 814                                 | RS1/10S271J |
| R 627                                 | RS1/16S102J | R 815                                 | RS1/10S822J |
| R 628                                 | RS1/16S473J | R 816                                 | RD1/4PU431J |
| R 629                                 | RS1/16S471J | R 817                                 | RS1/16S0R0J |
| R 630                                 | RS1/16S102J | R 818                                 | RS1/10S822J |
| R 631                                 | RS1/16S473J | R 819                                 | RD1/4PU122J |
| R 632                                 | RS1/16S473J | R 820                                 | RS1/10S331J |
| R 633                                 | RS1/16S681J | R 821                                 | RS1/10S102J |
| R 634                                 | RS1/16S0R0J | R 822                                 | RS1/10S472J |
| R 635                                 | RS1/16S0R0J | R 823                                 | RS1/10S273J |
| R 636                                 | RS1/16S0R0J | R 824                                 | RS1/10S273J |
| R 637                                 | RS1/16S0R0J | R 825                                 | RS1/10S102J |
| R 638                                 | RS1/16S473J | R 826                                 | RS1/10S472J |
| R 639                                 | RS1/16S473J | R 827                                 | RS1/10S221J |
| R 640                                 | RS1/16S473J | R 828                                 | RS1/10S752J |
| R 641                                 | RS1/16S473J | R 829                                 | RS1/10S472J |
| R 642                                 | RS1/10S473J | R 830                                 | RS1/10S561J |
| R 643                                 | RS1/10S223J | R 831                                 | RS1/16S103J |
| R 644                                 | RS1/16S223J | R 832                                 | RS1/16S473J |
| R 645                                 | RS1/16S102J | R 833                                 | RS1/10S473J |
| R 646                                 | RS1/16S102J | R 834                                 | RS1/8S153J  |
| R 647                                 | RS1/16S473J | R 835                                 | RS1/10S473J |
| R 648                                 | RS1/16S473J | R 836                                 | RS1/10S392J |
| R 649                                 | RS1/16S473J | R 837                                 | RS1/10S223J |



| ====Circuit Symbol & No.====Part Name | Part No.     | ====Circuit Symbol & No.====Part Name | Part No.              |
|---------------------------------------|--------------|---------------------------------------|-----------------------|
| C 214                                 | CEJA101M10   | C 317                                 | CKSQYB105K16          |
| C 230                                 | CKSQYB104K50 | C 318                                 | CEJA100M16            |
| C 231                                 | CKSRYP153K25 | C 319                                 | CEJA100M16            |
| C 232                                 | CEJAR10M50   | C 321                                 | CKSQYB103K50          |
| C 233                                 | CEJA100M16   | C 322                                 | CKSQYB103K50          |
| C 234                                 | CCSRCH101J50 | C 323                                 | CKSQYB105K16          |
| C 235                                 | CEJA101M16   | C 325                                 | CKSQYB103K50          |
| C 236                                 | CKSQYB104K50 | C 328                                 | CKSQYB103K50          |
| C 237                                 | CEJANPR10M50 | C 350                                 | CEJA1R0M50            |
| C 238                                 | CKSRYP473K25 | C 351                                 | CKSQYB103K50          |
| C 239                                 | CKSRYP222K50 | C 352                                 | CEJA470M6R3           |
| C 240                                 | CKSRYP473K25 | C 353                                 | CKSQYB103K50          |
| C 241                                 | CEJANP100M16 | C 354                                 | CEJA220M10            |
| C 242                                 | CEJANP100M16 | C 355                                 | CEJA221M6R3           |
| C 243                                 | CEJA100M16   | C 356                                 | CKSQYB103K50          |
| C 244                                 | CKSRYP104K16 | C 357                                 | CEJA470M6R3           |
| C 259                                 | CKSRYP221K50 | C 359                                 | 470µF/6.3V<br>CCH1182 |
| C 261                                 | CEJAR10M50   | C 360                                 | 470µF/6.3V<br>CCH1182 |
| C 262                                 | CKSQYB103K50 | C 361                                 | 470µF/6.3V<br>CCH1182 |
| C 263                                 | CCSQCH180J50 | C 400                                 | CKSQYB103K50          |
| C 264                                 | CKSQYB474K16 | C 401                                 | CKSQYB183K50          |
| C 265                                 | CEJA1R0M50   | C 402                                 | CKSQYB183K50          |
| C 266                                 | CKSQYB105K16 | C 403                                 | CKSQYB102K50          |
| C 267                                 | CEJA1R0M50   | C 405                                 | 330µF/10V<br>CCH1181  |
| C 268                                 | CEJA100M16   | C 406                                 | CKSQYB472K50          |
| C 269                                 | CEJA4R7M35   | C 411                                 | CKSQYB473K50          |
| C 270                                 | CKSQYB103K50 | C 413                                 | CEJA101M16            |
| C 271                                 | CCSQCH470J50 | C 414                                 | CKSQYB223K50          |
| C 272                                 | CEJA1R0M50   | C 418                                 | CKSQYB105K16          |
| C 273                                 | CKSQYB104K50 | C 419                                 | CKSQYB105K16          |
| C 274                                 | CEJA100M16   | C 424                                 | CCSRCH101J50          |
| C 275                                 | CKSQYB103K50 | C 480                                 | CCSRCH101J50          |
| C 276                                 | CCSQCH100J50 | C 481                                 | CKSRYP102K50          |
| C 277                                 | CKSQYB104K50 | C 482                                 | CEJA100M16            |
| C 278                                 | CKSQYB103K50 | C 501                                 | CEJA220M10            |
| C 279                                 | CKSQYB103K50 | C 503                                 | CKSRYP104K16          |
| C 280                                 | CKSQYB103K50 | C 505                                 | CCSRCH471J50          |
| C 281                                 | CEJA470M10   | C 506                                 | CCSRCH471J50          |
| C 282                                 | CKSQYB104K50 | C 507                                 | CKSRYP104K16          |
| C 283                                 | CEJA100M16   | C 509                                 | CCSQCH270J50          |
| C 285                                 | CKSQYB103K50 | C 510                                 | CCSQCH270J50          |
| C 286                                 | CKSQYB105K16 | C 513                                 | CCSRCH101J50          |
| C 287                                 | CKSQYB103K50 | C 514                                 | CCSRCH101J50          |
| C 288                                 | CKSQYB103K50 | C 600                                 | CKSRYP103K50          |
| C 289                                 | CKSQYB471K50 | C 601                                 | CKSRYP102K50          |
| C 290                                 | CEJA1R0M50   | C 603                                 | CKSRYP102K50          |
| C 291                                 | CKSQYB103K50 | C 604                                 | CCSRCH102J50          |
| C 292                                 | CKSQYB472K50 | C 606                                 | CKSQYB104K50          |
| C 293                                 | CCSQCH100J50 | C 607                                 | CKSRYP104K16          |
| C 294                                 | CKSQYB103K50 | C 608                                 | CCSRCH270J50          |
| C 295                                 | CKSQYB103K50 | C 609                                 | CCSRCH270J50          |
| C 300                                 | CEJA470M10   | C 610                                 | CCSRCH101J50          |
| C 301                                 | CKSRYP103K50 | C 611                                 | CCSRCH101J50          |
| C 302                                 | CEJA100M16   | C 650                                 | CEJA2R2M50            |
| C 303                                 | CKSQYB221K50 | C 666                                 | CKSQYB104K50          |
| C 304                                 | CEJA100M16   | C 667                                 | CEJA470M16            |
| C 305                                 | CKSQYB221K50 | C 668                                 | CKSQYB105K16          |
| C 306                                 | CKSQYB105K16 | C 669                                 | CCSRCH220J50          |
| C 307                                 | CKSQYB105K16 | C 670                                 | CCSRCH220J50          |
| C 308                                 | CKSQYB105K16 | C 671                                 | CCSRCH220J50          |
| C 309                                 | CKSQYB221K50 | C 672                                 | CCSRCH220J50          |
| C 310                                 | CKSQYB105K16 | C 673                                 | CCSRCH220J50          |
| C 311                                 | CKSQYB105K16 | C 674                                 | CCSRCH220J50          |
| C 312                                 | CKSQYB105K16 | C 682                                 | CEJANP1R0M50          |
| C 316                                 | CEJA100M16   | C 685                                 | CEJANP1R0M50          |

# AVM-P8000R,P8000

| ====Circuit Symbol & No.====Part Name | Part No.              | ====Circuit Symbol & No.====Part Name | Part No.         |
|---------------------------------------|-----------------------|---------------------------------------|------------------|
| C 686                                 | CKSQYB104K50          | C 925                                 | CKSYB225K16      |
| C 687                                 | CKSQYB104K50          | C 926                                 | CKSYB225K16      |
| C 688                                 | CKSQYB103K50          | C 931                                 | CKSYB225K16      |
| C 689                                 | CKSQYB105K16          | C 932                                 | CKSYB225K16      |
| C 700                                 | CKSQYB104K50          | C 933                                 | CEJA4R7M35       |
| C 701                                 | CKSQYB104K50          | C 934                                 | CEJA4R7M35       |
| C 702                                 | CKSRYP104K16          | C 935                                 | CKSQYB224K16     |
| C 703                                 | CEJA100M16            | C 936                                 | CCSRCH560J50     |
| C 704                                 | CEJANP4R7M16          | C 937                                 | CKSYB225K16      |
| C 705                                 | CKSRYP152K50          | C 938                                 | CKSYB225K16      |
| C 706                                 | CEJANP4R7M16          | C 939                                 | CKSQYB224K16     |
| C 707                                 | CEJANP4R7M16          | C 940                                 | CKSYB225K16      |
| C 708                                 | CKSRYP152K50          | C 941                                 | CKSYB225K16      |
| C 709                                 | CEJANP4R7M16          | C 942                                 | CCSRCH560J50     |
| C 710                                 | CKSQYB473K50          | C 943                                 | CEJA100M16       |
| C 711                                 | CKSQYB473K50          | C 944                                 | CEJA100M16       |
| C 712                                 | CKSQYB473K50          | C 945                                 | CEJA100M16       |
| C 713                                 | CKSQYB473K50          | C 946                                 | CEJA100M16       |
| C 714                                 | CKSQYB153K50          | C 947                                 | CEJA100M16       |
| C 715                                 | CKSQYB333K50          | C 948                                 | CEJA100M16       |
| C 716                                 | CKSQYB123K50          | C 949                                 | CEJA100M16       |
| C 717                                 | CKSQYB473K50          | C 950                                 | CKSQYB102K50     |
| C 718                                 | CKSQYB153K50          | C 951                                 | CKSQYB102K50     |
| C 719                                 | CKSQYB105K16          | C 952                                 | CKSQYB102K50     |
| C 720                                 | CKSQYB105K16          | C 953                                 | CKSQYB102K50     |
| C 800                                 | CKSYB225K16           | C 954                                 | CKSQYB102K50     |
| C 801                                 | CKSYB225K16           | C 955                                 | CKSQYB102K50     |
| C 802                                 | 330μF/10V<br>CCH1181  | C 978                                 | CKSRYP103K50     |
| C 803                                 | CKSRYP103K50          | C 979                                 | CKSRYP104K16     |
| C 804                                 | 330μF/10V<br>CCH1181  |                                       |                  |
| C 805                                 | CKSRYP103K50          |                                       |                  |
| C 807                                 | CEJA101M16            |                                       |                  |
| C 811                                 | 1000μF/16V<br>CCH1003 |                                       |                  |
| C 812                                 | CEJA101M10            |                                       |                  |
| C 813                                 | 330μF/10V<br>CCH1181  |                                       |                  |
| C 814                                 | CKSQYB103K50          | IC 60                                 | IC NJM4558MD     |
| C 815                                 | CKSQYB103K50          | IC 100                                | IC BA3121F       |
| C 816                                 | 330μF/10V<br>CCH1181  | IC 101                                | IC BA3129F       |
| C 817                                 | CEJA220M10            | IC 150                                | IC NJM2246M      |
| C 818                                 | CEJA101M16            | IC 160                                | IC TA2050S       |
| C 819                                 | CKSQYB103K50          | IC 161                                | IC CA0008AM      |
| C 820                                 | CEJA470M10            | IC 185                                | IC NJM4558MD     |
| C 821                                 | CEJA101M16            | IC 200                                | IC NJM4558MD     |
| C 822                                 | CKSQYB472K50          | IC 230                                | IC NJM4558MD     |
| C 823                                 | CKSQYB103K50          | IC 231                                | IC TDA7052BT     |
| C 824                                 | CKSQYB103K50          | IC 232                                | IC NJM4558MD     |
| C 825                                 | CEJA101M16            | IC 260                                | IC CXA2060BS     |
| C 826                                 | 2200μF/16V<br>CCH1186 | IC 261                                | IC TC74VHC123AFT |
| C 829                                 | CEJA101M16            | IC 263                                | IC NJM2235V      |
| C 830                                 | CKSQYB103K50          | IC 264                                | IC TC7SH04FU     |
| C 831                                 | CKSQYB472K50          | IC 265                                | IC NJM2246M      |
| C 833                                 | CKSQYB472K50          | IC 266                                | IC NJM2246M      |
| C 834                                 | CCSRCH101J50          | IC 267                                | IC NJM2246M      |
| C 903                                 | CEJA100M16            | IC 268                                | IC TC7SH04FU     |
| C 906                                 | 10.0μF/16V<br>CCG1143 | IC 350                                | IC NJM2267M      |
| C 907                                 | 10.0μF/16V<br>CCG1143 | IC 351                                | IC BA7623F       |
| C 908                                 | CKSYB104K50           | IC 480                                | IC S-81250SGUP   |
| C 910                                 | CEAT682M16            | IC 500                                | IC PM4009A       |
| C 911                                 | CEJA330M16            | IC 600                                | IC PDH026A       |
| C 912                                 | CKSQYB473K50          | IC 601                                | IC PE5152A       |
| C 916                                 | CEJA4R7M35            | IC 650                                | IC S-80734ANDYI  |
| C 917                                 | CEJA4R7M35            | IC 681                                | IC BA3834F       |
| C 919                                 | CKSYB105K16           | IC 700                                | IC PML004AF      |
| C 922                                 | CEJA4R7M35            | IC 800                                | IC BA05ST-V5     |
| C 923                                 | CEJA4R7M35            | IC 801                                | IC BA05ST-V5     |

**A** Unit Number : CWM7154  
(AVM-P8000R/EW)  
Unit Name : Tuner Amp Unit

## MISCELLANEOUS

|        |    |               |
|--------|----|---------------|
| IC 60  | IC | NJM4558MD     |
| IC 100 | IC | BA3121F       |
| IC 101 | IC | BA3129F       |
| IC 150 | IC | NJM2246M      |
| IC 160 | IC | TA2050S       |
| IC 161 | IC | CA0008AM      |
| IC 185 | IC | NJM4558MD     |
| IC 200 | IC | NJM4558MD     |
| IC 230 | IC | NJM4558MD     |
| IC 231 | IC | TDA7052BT     |
| IC 232 | IC | NJM4558MD     |
| IC 260 | IC | CXA2060BS     |
| IC 261 | IC | TC74VHC123AFT |
| IC 263 | IC | NJM2235V      |
| IC 264 | IC | TC7SH04FU     |
| IC 265 | IC | NJM2246M      |
| IC 266 | IC | NJM2246M      |
| IC 267 | IC | NJM2246M      |
| IC 268 | IC | TC7SH04FU     |
| IC 350 | IC | NJM2267M      |
| IC 351 | IC | BA7623F       |
| IC 480 | IC | S-81250SGUP   |
| IC 500 | IC | PM4009A       |
| IC 600 | IC | PDH026A       |
| IC 601 | IC | PE5152A       |
| IC 650 | IC | S-80734ANDYI  |
| IC 681 | IC | BA3834F       |
| IC 700 | IC | PML004AF      |
| IC 800 | IC | BA05ST-V5     |
| IC 801 | IC | BA05ST-V5     |

| ====Circuit Symbol & No.===Part Name | Part No.  | ====Circuit Symbol & No.===Part Name | Part No.   |
|--------------------------------------|-----------|--------------------------------------|------------|
| IC 803 IC                            | BA09SFP   | Q 816 Transistor                     | 2SA1037K   |
| IC 901 IC                            | PAL005A   | Q 817 Transistor                     | IMD2A      |
| IC 920 IC                            | NJU7032M  | Q 818 Transistor                     | DTC144EK   |
| IC 921 IC                            | NJM2068MD | Q 819 Transistor                     | IMX1       |
| IC 922 IC                            | NJU7032M  | Q 820 Transistor                     | 2SA1037K   |
| Q 1 Transistor                       | 2SC2412K  | Q 821 Transistor                     | DTC124EK   |
| Q 2 Transistor                       | DTA114EK  | Q 822 Transistor                     | 2SA1037K   |
| Q 100 Transistor                     | DTC124EK  | Q 900 Transistor                     | DTC114TK   |
| Q 101 Transistor                     | FMG12     | Q 920 Transistor                     | IMD2A      |
| Q 102 Transistor                     | DTA114EK  | Q 921 Transistor                     | DTA124EK   |
| Q 150 Transistor                     | 2SA1037K  | Q 922 Transistor                     | FMG12      |
| Q 151 Transistor                     | FMG12     | Q 923 Transistor                     | IMD2A      |
| Q 152 Transistor                     | DTA114EK  | Q 925 Transistor                     | FMG12      |
| Q 160 Transistor                     | 2SA1037K  | Q 926 Transistor                     | FMG12      |
| Q 161 Transistor                     | DTC124EK  | Q 927 Transistor                     | IMH3A      |
| Q 230 Transistor                     | DTC124EK  | Q 929 Transistor                     | FMG12      |
| Q 261 Transistor                     | 2SA1037K  | Q 933 Transistor                     | DTC323TK   |
| Q 262 Transistor                     | 2SC2412K  | Q 934 Transistor                     | FMG13      |
| Q 263 Transistor                     | 2SC2412K  | Q 935 Transistor                     | FMG13      |
| Q 264 Transistor                     | 2SC2412K  | Q 936 Transistor                     | FMG13      |
| Q 265 Transistor                     | 2SC2412K  | D 1 Diode                            | UDZ12(B)   |
| Q 266 Transistor                     | 2SA1037K  | D 2 Diode                            | UDZ12(B)   |
| Q 267 Transistor                     | 2SA1037K  | D 3 Diode                            | UDZ12(B)   |
| Q 268 Transistor                     | 2SC2412K  | D 4 Diode                            | UDZ12(B)   |
| Q 269 Transistor                     | 2SA1037K  | D 6 Diode                            | UDZ12(B)   |
| Q 270 Transistor                     | 2SA1037K  | D 7 Diode                            | UDZ12(B)   |
| Q 271 Transistor                     | 2SA1037K  | D 9 Diode                            | UDZ12(B)   |
| Q 350 Transistor                     | DTA143EK  | D 10 Diode                           | UDZ12(B)   |
| Q 351 Transistor                     | DTC323TU  | D 11 Diode                           | UDZ12(B)   |
| Q 352 Transistor                     | FMG12     | D 12 Diode                           | UDZ12(B)   |
| Q 353 Transistor                     | DTA114EK  | D 13 Diode                           | UDZ12(B)   |
| Q 400 Transistor                     | 2SC2412K  | D 100 Diode                          | UDZ12(B)   |
| Q 402 Transistor                     | IMH3A     | D 101 Diode                          | UDZ12(B)   |
| Q 403 Transistor                     | DTA114EK  | D 102 Diode                          | MA110      |
| Q 404 Transistor                     | 2SC2412K  | D 103 Diode                          | UDZ12(B)   |
| Q 405 Transistor                     | 2SD1757K  | D 185 Diode                          | UDZ12(B)   |
| Q 406 Transistor                     | 2SD1757K  | D 200 Diode                          | UDZ12(B)   |
| Q 407 Transistor                     | 2SC2412K  | D 260 Diode                          | MA110      |
| Q 500 Transistor                     | DTA124EK  | D 261 Diode                          | MA110      |
| Q 600 Transistor                     | DTA144EU  | D 262 Diode                          | MA8039(H)  |
| Q 601 Transistor                     | 2SC2412K  | D 263 Diode                          | MA152WK    |
| Q 680 Transistor                     | 2SC2412K  | D 350 Diode                          | UDZ12(B)   |
| Q 681 Transistor                     | DTC124TK  | D 351 Diode                          | UDZ12(B)   |
| Q 733 Transistor                     | 2SC2412K  | D 352 Diode                          | UDZ12(B)   |
| Q 734 Transistor                     | DTC124EK  | D 353 Diode                          | UDZ12(B)   |
| Q 735 Transistor                     | 2SA1037K  | D 354 Diode                          | UDZ12(B)   |
| Q 736 Transistor                     | IMD2A     | D 355 Diode                          | UDZ12(B)   |
| Q 737 Transistor                     | DTA124EU  | D 357 Diode                          | UDZ12(B)   |
| Q 738 Transistor                     | 2SC2412K  | D 358 Diode                          | UDZ12(B)   |
| Q 800 Transistor                     | DTA124EK  | D 359 Diode                          | UDZ12(B)   |
| Q 801 Transistor                     | 2SA1797   | D 360 Diode                          | UDZ12(B)   |
| Q 802 Transistor                     | DTC114EK  | D 361 Diode                          | UDZ12(B)   |
| Q 803 Transistor                     | 2SD1857   | D 480 Diode                          | HZS16L(1)  |
| Q 804 Transistor                     | 2SD2396   | D 650 Diode                          | MA152WK    |
| Q 805 Transistor                     | 2SB1184F5 | D 651 Diode                          | MA110      |
| Q 806 Transistor                     | 2SC2412K  | D 661 Diode                          | UDZ12(B)   |
| Q 807 Transistor                     | 2SA1797   | D 732 Diode                          | HZS9L(A2)  |
| Q 808 Transistor                     | 2SA1797   | D 733 Diode                          | MA152WK    |
| Q 809 Transistor                     | DTC144EK  | D 734 Diode                          | MA152WK    |
| Q 810 Transistor                     | 2SC2412K  | D 800 Diode                          | ERA15-02VH |
| Q 811 Transistor                     | 2SA1037K  | D 801 Diode                          | HZS6L(B1)  |
| Q 812 Transistor                     | 2SD1760F5 | D 802 Diode                          | HZS9L(B3)  |
| Q 813 Transistor                     | 2SD2396   | D 804 Diode                          | MA152WK    |
| Q 814 Transistor                     | 2SC2412K  | D 805 Diode                          | HZS6L(B1)  |
| Q 815 Transistor                     | DTA124EK  | D 806 Diode                          | HZS9L(B3)  |



| ====Circuit Symbol & No.====Part Name | Part No.    | ====Circuit Symbol & No.====Part Name | Part No.      |
|---------------------------------------|-------------|---------------------------------------|---------------|
| R 16                                  | RS1/10S0R0J | R 167                                 | RS1/10S223J   |
| R 17                                  | RS1/10S332J | R 168                                 | RS1/16S181J   |
| R 18                                  | RS1/10S333J | R 169                                 | RS1/16S183J   |
| R 19                                  | RS1/10S104J | R 170                                 | RS1/10S222J   |
| R 20                                  | RS1/10S473J | R 171                                 | RS1/16S102J   |
| R 60                                  | RS1/10S101J | R 172                                 | RS1/16S102J   |
| R 61                                  | RS1/10S473J | R 173                                 | RS1/10S472J   |
| R 62                                  | RS1/10S473J | R 174                                 | RS1/10S223J   |
| R 63                                  | RS1/10S563J | R 175                                 | RS1/16S473J   |
| R 64                                  | RS1/10S563J | R 176                                 | RS1/16S473J   |
| R 65                                  | RS1/10S473J | R 177                                 | RS1/10S0R0J   |
| R 66                                  | RS1/10S473J | R 178                                 | RS1/16S0R0J   |
| R 100                                 | RS1/10S0R0J | R 179                                 | RS1/16S0R0J   |
| R 101                                 | RS1/10S0R0J | R 185                                 | RS1/16S0R0J   |
| R 102                                 | RS1/16S750J | R 186                                 | RS1/16S0R0J   |
| R 103                                 | RS1/10S101J | R 187                                 | RS1/16S0R0J   |
| R 104                                 | RS1/10S101J | R 188                                 | RS1/16S101J   |
| R 105                                 | RS1/16S223J | R 189                                 | RS1/16S473J   |
| R 106                                 | RS1/16S223J | R 190                                 | RS1/16S473J   |
| R 107                                 | RS1/10S102J | R 191                                 | RS1/16S0R0J   |
| R 108                                 | RS1/10S102J | R 192                                 | RS1/16S103J   |
| R 109                                 | RS1/10S220J | R 193                                 | RS1/16S103J   |
| R 110                                 | RS1/16S0R0J | R 194                                 | RS1/16S473J   |
| R 111                                 | RS1/16S0R0J | R 195                                 | RS1/16S473J   |
| R 112                                 | RS1/16S102J | R 200                                 | RS1/10S750J   |
| R 113                                 | RS1/16S102J | R 205                                 | RS1/16S104J   |
| R 114                                 | RS1/16S104J | R 206                                 | RS1/16S104J   |
| R 115                                 | RS1/16S104J | R 207                                 | RS1/16S102J   |
| R 116                                 | RS1/16S104J | R 208                                 | RS1/16S104J   |
| R 117                                 | RS1/16S104J | R 209                                 | RS1/16S104J   |
| R 118                                 | RS1/16S123J | R 210                                 | RS1/16S102J   |
| R 119                                 | RS1/16S133J | R 211                                 | RN1/16SE1002D |
| R 120                                 | RS1/16S473J | R 212                                 | RN1/16SE1002D |
| R 121                                 | RS1/16S473J | R 213                                 | RN1/16SE1002D |
| R 122                                 | RS1/16S473J | R 214                                 | RN1/16SE1002D |
| R 123                                 | RS1/16S473J | R 215                                 | RN1/16SE4701D |
| R 124                                 | RS1/16S362J | R 216                                 | RN1/16SE4701D |
| R 125                                 | RS1/16S362J | R 217                                 | RN1/16SE4701D |
| R 126                                 | RS1/16S362J | R 218                                 | RN1/16SE4701D |
| R 127                                 | RS1/16S362J | R 219                                 | RS1/10S103J   |
| R 128                                 | RS1/10S220J | R 220                                 | RS1/10S103J   |
| R 129                                 | RS1/10S821J | R 230                                 | RS1/16S0R0J   |
| R 130                                 | RS1/10S821J | R 231                                 | RS1/16S223J   |
| R 131                                 | RS1/16S104J | R 232                                 | RS1/16S223J   |
| R 132                                 | RS1/16S473J | R 233                                 | RS1/16S223J   |
| R 133                                 | RS1/16S0R0J | R 234                                 | RS1/16S222J   |
| R 135                                 | RS1/16S0R0J | R 235                                 | RS1/16S0R0J   |
| R 136                                 | RS1/16S223J | R 236                                 | RS1/16S104J   |
| R 137                                 | RS1/16S0R0J | R 237                                 | RS1/16S223J   |
| R 140                                 | RS1/16S223J | R 238                                 | RS1/16S561J   |
| R 150                                 | RS1/10S471J | R 239                                 | RS1/16S223J   |
| R 151                                 | RS1/10S471J | R 241                                 | RS1/16S473J   |
| R 152                                 | RS1/10S681J | R 242                                 | RS1/16S101J   |
| R 153                                 | RS1/10S0R0J | R 243                                 | RS1/16S101J   |
| R 154                                 | RS1/10S101J | R 244                                 | RS1/16S473J   |
| R 155                                 | RS1/10S0R0J | R 245                                 | RS1/16S104J   |
| R 156                                 | RS1/16S270J | R 246                                 | RS1/16S104J   |
| R 157                                 | RS1/16S330J | R 247                                 | RS1/16S222J   |
| R 160                                 | RS1/10S101J | R 248                                 | RS1/16S222J   |
| R 161                                 | RS1/10S620J | R 249                                 | RS1/16S473J   |
| R 162                                 | RS1/10S101J | R 250                                 | RS1/16S473J   |
| R 163                                 | RS1/10S181J | R 259                                 | RS1/16S750J   |
| R 164                                 | RS1/10S223J | R 260                                 | RS1/16S0R0J   |
| R 165                                 | RS1/10S102J | R 261                                 | RS1/10S471J   |
| R 166                                 | RS1/16S102J | R 262                                 | RS1/10S0R0J   |

# AVM-P800OR,P8000

| ====Circuit Symbol & No.===Part Name | Part No.      | ====Circuit Symbol & No.===Part Name | Part No.    |
|--------------------------------------|---------------|--------------------------------------|-------------|
| R 264                                | RS1/10S101J   | R 406                                | RS1/10S162J |
| R 265                                | RS1/16S473J   | R 407                                | RS1/10S162J |
| R 266                                | RS1/10S0R0J   | R 408                                | RS1/10S102J |
| R 267                                | RS1/10S471J   | R 410                                | RS1/16S393J |
| R 268                                | RS1/10S471J   | R 411                                | RS1/10S272J |
| R 269                                | RS1/16S0R0J   | R 412                                | RS1/10S272J |
| R 270                                | RS1/16S471J   | R 413                                | RS1/10S473J |
| R 271                                | RS1/10S103J   | R 416                                | RS1/10S681J |
| R 272                                | RS1/10S102J   | R 417                                | RS1/16S681J |
| R 273                                | RN1/10SE1002D | R 418                                | RS1/10S0R0J |
| R 274                                | RS1/10S471J   | R 419                                | RS1/16S681J |
| R 275                                | RS1/10S471J   | R 420                                | RS1/16S681J |
| R 276                                | RS1/10S0R0J   | R 421                                | RS1/16S681J |
| R 277                                | RS1/10S0R0J   | R 422                                | RS1/10S104J |
| R 278                                | RN1/10SE1002D | R 423                                | RS1/10S104J |
| R 279                                | RS1/10S681J   | R 424                                | RS1/16S473J |
| R 281                                | RS1/10S102J   | R 425                                | RS1/16S473J |
| R 282                                | RS1/10S222J   | R 426                                | RS1/10S473J |
| R 283                                | RS1/10S123J   | R 427                                | RS1/16S472J |
| R 284                                | RS1/10S222J   | R 429                                | RS1/16S473J |
| R 285                                | RN1/10SE1002D | R 430                                | RS1/16S0R0J |
| R 286                                | RS1/10S101J   | R 431                                | RS1/16S0R0J |
| R 287                                | RS1/10S101J   | R 432                                | RS1/16S681J |
| R 288                                | RS1/10S222J   | R 433                                | RS1/16S681J |
| R 289                                | RS1/10S101J   | R 434                                | RS1/10S222J |
| R 290                                | RS1/10S101J   | R 435                                | RS1/10S222J |
| R 291                                | RS1/10S103J   | R 436                                | RS1/10S224J |
| R 292                                | RS1/10S103J   | R 437                                | RS1/10S224J |
| R 293                                | RS1/10S331J   | R 438                                | RS1/10S223J |
| R 294                                | RS1/10S102J   | R 439                                | RS1/10S223J |
| R 295                                | RS1/10S331J   | R 440                                | RS1/10S224J |
| R 296                                | RS1/10S102J   | R 441                                | RS1/10S153J |
| R 297                                | RS1/10S331J   | R 442                                | RS1/10S474J |
| R 298                                | RS1/10S102J   | R 443                                | RS1/16S681J |
| R 299                                | RS1/16S471J   | R 445                                | RS1/16S0R0J |
| R 300                                | RS1/16S471J   | R 446                                | RS1/16S0R0J |
| R 301                                | RS1/16S471J   | R 480                                | RS1/8S151J  |
| R 302                                | RS1/16S471J   | R 500                                | RS1/16S102J |
| R 303                                | RS1/16S471J   | R 501                                | RS1/16S0R0J |
| R 304                                | RS1/16S471J   | R 502                                | RS1/16S225J |
| R 305                                | RS1/10S0R0J   | R 503                                | RS1/16S102J |
| R 306                                | RS1/10S0R0J   | R 504                                | RS1/16S681J |
| R 307                                | RS1/10S0R0J   | R 505                                | RS1/16S0R0J |
| R 309                                | RS1/10S0R0J   | R 507                                | RS1/16S0R0J |
| R 310                                | RS1/10S0R0J   | R 508                                | RS1/16S473J |
| R 311                                | RS1/10S0R0J   | R 509                                | RS1/10S0R0J |
| R 350                                | RS1/10S104J   | R 510                                | RS1/16S0R0J |
| R 351                                | RS1/10S750J   | R 511                                | RS1/16S102J |
| R 352                                | RS1/10S750J   | R 512                                | RS1/16S0R0J |
| R 353                                | RS1/10S750J   | R 513                                | RS1/16S0R0J |
| R 354                                | RS1/10S750J   | R 514                                | RS1/16S0R0J |
| R 355                                | RS1/16S0R0J   | R 515                                | RS1/10S0R0J |
| R 360                                | RS1/16S0R0J   | R 516                                | RS1/10S0R0J |
| R 364                                | RS1/16S0R0J   | R 600                                | RS1/16S0R0J |
| R 365                                | RS1/16S0R0J   | R 601                                | RS1/16S0R0J |
| R 366                                | RS1/16S0R0J   | R 602                                | RS1/16S102J |
| R 368                                | RS1/10S0R0J   | R 603                                | RS1/16S102J |
| R 370                                | RS1/10S0R0J   | R 604                                | RS1/16S102J |
| R 371                                | RS1/16S0R0J   | R 605                                | RS1/16S222J |
| R 400                                | RS1/10S0R0J   | R 606                                | RS1/16S222J |
| R 401                                | RS1/10S473J   | R 607                                | RS1/16S473J |
| R 402                                | RS1/16S103J   | R 608                                | RA3C102J    |
| R 403                                | RS1/10S473J   | R 609                                | RS1/16S473J |
| R 404                                | RS1/10S681J   | R 611                                | RS1/16S473J |
| R 405                                | RS1/10S681J   | R 613                                | RAB4C471J   |

| ====Circuit Symbol & No.===Part Name | Part No.    | ====Circuit Symbol & No.===Part Name | Part No.    |
|--------------------------------------|-------------|--------------------------------------|-------------|
| R 614                                | RAB4C221J   | R 801                                | RS1/16S102J |
| R 616                                | RS1/16S473J | R 802                                | RS1/10S473J |
| R 617                                | RS1/16S102J | R 803                                | RS1/10S473J |
| R 618                                | RS1/16S221J | R 804                                | RS1/10S472J |
| R 619                                | RS1/16S473J | R 806                                | RS1/10S102J |
| R 620                                | RS1/10S102J | R 807                                | RS1/10S102J |
| R 621                                | RS1/16S101J | R 808                                | RS1/10S472J |
| R 622                                | RS1/16S103J | R 810                                | RS1/10S472J |
| R 623                                | RS1/16S101J | R 811                                | RD1/4PU271J |
| R 624                                | RS1/16S103J | R 812                                | RD1/4PU271J |
| R 625                                | RS1/16S473J | R 813                                | RS1/10S472J |
| R 626                                | RS1/16S473J | R 814                                | RS1/10S271J |
| R 627                                | RS1/16S102J | R 815                                | RS1/10S822J |
| R 628                                | RS1/16S473J | R 816                                | RD1/4PU431J |
| R 629                                | RS1/16S471J | R 817                                | RS1/16S0R0J |
| R 630                                | RS1/16S102J | R 818                                | RS1/10S822J |
| R 631                                | RS1/16S473J | R 819                                | RD1/4PU122J |
| R 632                                | RS1/16S473J | R 820                                | RS1/10S331J |
| R 633                                | RS1/16S681J | R 821                                | RS1/10S102J |
| R 634                                | RS1/16S0R0J | R 822                                | RS1/10S472J |
| R 635                                | RS1/16S0R0J | R 823                                | RS1/10S273J |
| R 636                                | RS1/16S0R0J | R 824                                | RS1/10S273J |
| R 637                                | RS1/16S0R0J | R 825                                | RS1/10S102J |
| R 638                                | RS1/16S473J | R 826                                | RS1/10S472J |
| R 639                                | RS1/16S473J | R 827                                | RS1/10S221J |
| R 640                                | RS1/16S473J | R 828                                | RS1/10S752J |
| R 641                                | RS1/16S473J | R 829                                | RS1/10S472J |
| R 642                                | RS1/10S473J | R 830                                | RS1/10S561J |
| R 643                                | RS1/10S223J | R 831                                | RS1/16S103J |
| R 644                                | RS1/16S223J | R 832                                | RS1/16S473J |
| R 645                                | RS1/16S102J | R 833                                | RS1/10S473J |
| R 646                                | RS1/16S102J | R 834                                | RS1/8S153J  |
| R 647                                | RS1/16S473J | R 835                                | RS1/10S473J |
| R 648                                | RS1/16S473J | R 836                                | RS1/10S392J |
| R 649                                | RS1/16S473J | R 837                                | RS1/10S223J |
| R 650                                | RS1/10S0R0J | R 838                                | RS1/8S101J  |
| R 651                                | RS1/10S471J | R 839                                | RS1/16S472J |
| R 652                                | RS1/10S822J | R 840                                | RS1/10S102J |
| R 662                                | RS1/10S0R0J | R 841                                | RS1/10S473J |
| R 664                                | RS1/16S0R0J | R 842                                | RS1/16S472J |
| R 665                                | RS1/16S0R0J | R 843                                | RS1/10S472J |
| R 682                                | RS1/16S104J | R 845                                | RS1/10S103J |
| R 683                                | RS1/16S103J | R 846                                | RS1/8S103J  |
| R 684                                | RS1/16S103J | R 847                                | RS1/10S103J |
| R 685                                | RS1/16S163J | R 848                                | RS1/10S102J |
| R 686                                | RS1/10S104J | R 849                                | RS1/10S473J |
| R 687                                | RS1/10S102J | R 850                                | RS1/10S473J |
| R 689                                | RS1/16S473J | R 851                                | RS1/10S472J |
| R 690                                | RS1/16S102J | R 852                                | RS1/10S103J |
| R 691                                | RS1/16S102J | R 853                                | RS1/10S472J |
| R 692                                | RS1/16S102J | R 854                                | RS1/10S472J |
| R 698                                | RS1/16S0R0J | R 855                                | RS1/8S153J  |
| R 700                                | RS1/16S102J | R 870                                | RS1/16S0R0J |
| R 701                                | RS1/16S102J | R 871                                | RS1/16S0R0J |
| R 702                                | RS1/16S104J | R 901                                | RS1/16S103J |
| R 703                                | RS1/16S104J | R 902                                | RS1/10S103J |
| R 736                                | RS1/10S473J | R 904                                | RS1/10S331J |
| R 737                                | RS1/16S103J | R 905                                | RS1/10S103J |
| R 738                                | RS1/10S103J | R 919                                | RS1/16S102J |
| R 739                                | RS1/10S103J | R 920                                | RS1/10S471J |
| R 740                                | RS1/10S333J | R 921                                | RS1/10S471J |
| R 742                                | RS1/16S224J | R 924                                | RS1/10S471J |
| R 743                                | RS1/16S473J | R 925                                | RS1/10S471J |
| R 745                                | RS1/16S0R0J | R 926                                | RS1/10S471J |
| R 800                                | RS1/16S102J | R 927                                | RS1/10S471J |



| ====Circuit Symbol & No.====Part Name | Part No.              | ====Circuit Symbol & No.====Part Name | Part No.     |
|---------------------------------------|-----------------------|---------------------------------------|--------------|
| C 273                                 | CKSQYB104K50          | C 413                                 | CEJA101M16   |
| C 274                                 | CEJA100M16            | C 414                                 | CKSQYB223K50 |
| C 275                                 | CKSQYB103K50          | C 416                                 | CKSQYB223K50 |
| C 276                                 | CCSQCH100J50          | C 417                                 | CKSQYB472K50 |
| C 277                                 | CKSQYB104K50          | C 418                                 | CKSQYB105K16 |
| C 278                                 | CKSQYB103K50          | C 419                                 | CKSQYB105K16 |
| C 279                                 | CKSQYB103K50          | C 424                                 | CCSRCH101J50 |
| C 280                                 | CKSQYB103K50          | C 480                                 | CCSRCH101J50 |
| C 281                                 | CEJA470M10            | C 481                                 | CKSRYB102K50 |
| C 282                                 | CKSQYB104K50          | C 482                                 | CEJA100M16   |
| C 283                                 | CEJA100M16            | C 501                                 | CEJA220M10   |
| C 285                                 | CKSQYB103K50          | C 503                                 | CKSRYB104K16 |
| C 286                                 | CKSQYB105K16          | C 505                                 | CCSRCH471J50 |
| C 287                                 | CKSQYB103K50          | C 506                                 | CCSRCH471J50 |
| C 288                                 | CKSQYB103K50          | C 507                                 | CKSRYB104K16 |
| C 289                                 | CKSQYB471K50          | C 509                                 | CCSQCH270J50 |
| C 290                                 | CEJA1R0M50            | C 510                                 | CCSQCH270J50 |
| C 291                                 | CKSQYB103K50          | C 513                                 | CCSRCH101J50 |
| C 292                                 | CKSQYB472K50          | C 514                                 | CCSRCH101J50 |
| C 293                                 | CCSQCH100J50          | C 600                                 | CKSQYB103K50 |
| C 294                                 | CKSQYB103K50          | C 601                                 | CKSRYB102K50 |
| C 295                                 | CKSQYB103K50          | C 602                                 | CCSRCH101J50 |
| C 300                                 | CEJA470M10            | C 603                                 | CKSRYB102K50 |
| C 301                                 | CKSRYB103K50          | C 604                                 | CCSRCH102J50 |
| C 302                                 | CEJA100M16            | C 605                                 | CCSRCH101J50 |
| C 303                                 | CKSQYB221K50          | C 606                                 | CKSQYB104K50 |
| C 304                                 | CEJA100M16            | C 607                                 | CKSRYB104K16 |
| C 305                                 | CKSQYB221K50          | C 608                                 | CCSRCH270J50 |
| C 306                                 | CKSQYB105K16          | C 609                                 | CCSRCH270J50 |
| C 307                                 | CKSQYB105K16          | C 610                                 | CCSRCH101J50 |
| C 308                                 | CKSQYB105K16          | C 611                                 | CCSRCH101J50 |
| C 309                                 | CKSQYB221K50          | C 650                                 | CEJA2R2M50   |
| C 310                                 | CKSQYB105K16          | C 666                                 | CKSQYB104K50 |
| C 311                                 | CKSQYB105K16          | C 667                                 | CEJA470M16   |
| C 312                                 | CKSQYB105K16          | C 668                                 | CKSQYB105K16 |
| C 316                                 | CEJA100M16            | C 669                                 | CCSRCH220J50 |
| C 317                                 | CKSQYB105K16          | C 670                                 | CCSRCH220J50 |
| C 318                                 | CEJA100M16            | C 671                                 | CCSRCH220J50 |
| C 319                                 | CEJA100M16            | C 672                                 | CCSRCH220J50 |
| C 321                                 | CKSQYB103K50          | C 673                                 | CCSRCH220J50 |
| C 322                                 | CKSQYB103K50          | C 674                                 | CCSRCH220J50 |
| C 323                                 | CKSQYB105K16          | C 682                                 | CEJANP1R0M50 |
| C 325                                 | CKSQYB103K50          | C 685                                 | CEJANP1R0M50 |
| C 328                                 | CKSQYB103K50          | C 686                                 | CKSQYB104K50 |
| C 350                                 | CEJA1R0M50            | C 687                                 | CKSQYB104K50 |
| C 351                                 | CKSQYB103K50          | C 688                                 | CKSQYB103K50 |
| C 352                                 | CEJA470M6R3           | C 689                                 | CKSQYB105K16 |
| C 353                                 | CKSQYB103K50          | C 700                                 | CKSQYB104K50 |
| C 354                                 | CEJA220M10            | C 701                                 | CKSQYB104K50 |
| C 355                                 | CEJA221M6R3           | C 702                                 | CKSRYB104K16 |
| C 356                                 | CKSQYB103K50          | C 703                                 | CEJA100M16   |
| C 357                                 | CEJA470M6R3           | C 704                                 | CEJANP4R7M16 |
| C 359                                 | 470μF/6.3V<br>CCH1182 | C 705                                 | CKSRYB152K50 |
| C 360                                 | 470μF/6.3V<br>CCH1182 | C 706                                 | CEJANP4R7M16 |
| C 361                                 | 470μF/6.3V<br>CCH1182 | C 707                                 | CEJANP4R7M16 |
| C 400                                 | CKSQYB103K50          | C 708                                 | CKSRYB152K50 |
| C 401                                 | CKSQYB123K50          | C 709                                 | CEJANP4R7M16 |
| C 402                                 | CKSQYB123K50          | C 710                                 | CKSQYB473K50 |
| C 403                                 | CKSQYB102K50          | C 711                                 | CKSQYB473K50 |
| C 405                                 | 330μF/10V<br>CCH1181  | C 712                                 | CKSQYB473K50 |
| C 406                                 | CKSQYB472K50          | C 713                                 | CKSQYB473K50 |
| C 407                                 | CKSQYB182K50          | C 714                                 | CKSQYB153K50 |
| C 408                                 | CEJA1R0M50            | C 715                                 | CKSQYB333K50 |
| C 409                                 | CEJA1R0M50            | C 716                                 | CKSQYB123K50 |
| C 411                                 | CKSQYB473K50          | C 717                                 | CKSQYB473K50 |

| ====Circuit Symbol & No.====Part Name | Part No.     | ====Circuit Symbol & No.====Part Name   | Part No.      |
|---------------------------------------|--------------|---|---------------|
| C 718                                 | CKSQYB153K50 | C 951   | CKSQYB102K50  |
| C 719                                 | CKSQYB105K16 | C 952   | CKSQYB102K50  |
| C 720                                 | CKSQYB105K16 | C 953   | CKSQYB102K50  |
| C 800                                 | CKSYB225K16  | C 954   | CKSQYB102K50  |
| C 801                                 | CKSYB225K16  | C 955   | CKSQYB102K50  |
| C 802 330μF/10V                       | CCH1181      | C 978   | CKSRYB103K50  |
| C 803                                 | CKSRYB103K50 | C 979   | CKSRYB104K16  |
| C 804 330μF/10V                       | CCH1181      | <b>A</b> Unit Number: CWM7155<br>(AVM-P8000/ES)<br>Unit Name : Tuner Amp Unit |               |
| C 805                                 | CKSRYB103K50 |   |               |
| C 807                                 | CEJA101M16   | <b>MISCELLANEOUS</b>  |               |
| C 811 1000μF/16V                      | CCH1003      | IC 100 IC   | BA3121F       |
| C 812                                 | CEJA101M10   | IC 101 IC   | BA3129F       |
| C 813 330μF/10V                       | CCH1181      | IC 150 IC   | NJM2246M      |
| C 814                                 | CKSQYB103K50 | IC 160 IC   | TA2050S       |
| C 815                                 | CKSQYB103K50 | IC 161 IC   | CA0008AM      |
| C 816 330μF/10V                       | CCH1181      | IC 185 IC   | NJM4558MD     |
| C 817                                 | CEJA220M10   | IC 200 IC   | NJM4558MD     |
| C 818                                 | CEJA101M16   | IC 230 IC   | NJM4558MD     |
| C 819                                 | CKSQYB103K50 | IC 231 IC   | TDA7052BT     |
| C 820                                 | CEJA470M10   | IC 232 IC   | NJM4558MD     |
| C 821                                 | CEJA101M16   | IC 260 IC   | CXA2060BS     |
| C 822                                 | CKSQYB472K50 | IC 261 IC   | TC74VHC123AFT |
| C 823                                 | CKSQYB103K50 | IC 263 IC   | NJM2235V      |
| C 824                                 | CKSQYB103K50 | IC 264 IC   | TC7SH04FU     |
| C 825                                 | CEJA101M16   | IC 265 IC   | NJM2246M      |
| C 826 2200μF/16V                      | CCH1186      | IC 266 IC   | NJM2246M      |
| C 829                                 | CEJA101M16   | IC 267 IC   | NJM2246M      |
| C 830                                 | CKSQYB103K50 | IC 268 IC   | TC7SH04FU     |
| C 831                                 | CKSQYB472K50 | IC 350 IC   | NJM2267M      |
| C 833                                 | CKSQYB472K50 | IC 351 IC   | BA7623F       |
| C 834                                 | CCSRCH101J50 | IC 480 IC   | S-81250SGUP   |
| C 903                                 | CEJA100M16   | IC 600 IC   | PDH028A       |
| C 906 10.0μF/16V                      | CCG1143      | IC 601 IC   | PE5153A       |
| C 907 10.0μF/16V                      | CCG1143      | IC 650 IC   | S-80734ANDYI  |
| C 908                                 | CKSYB104K50  | IC 681 IC   | BA3834F       |
| C 910                                 | CEAT682M16   | IC 700 IC   | PML004AF      |
| C 911                                 | CEJA330M16   | IC 800 IC   | BA05ST-V5     |
| C 912                                 | CKSQYB473K50 | IC 801 IC   | BA05ST-V5     |
| C 916                                 | CEJA4R7M35   | IC 803 IC   | BA09SFP       |
| C 917                                 | CEJA4R7M35   | IC 901 IC   | PAL005A       |
| C 919                                 | CKSYB105K16  | IC 920 IC   | NJU7032M      |
| C 922                                 | CEJA4R7M35   | IC 921 IC   | NJM2068MD     |
| C 923                                 | CEJA4R7M35   | IC 922 IC   | NJU7032M      |
| C 925                                 | CKSYB225K16  | Q 100 Transistor  | DTC124EK      |
| C 926                                 | CKSYB225K16  | Q 101 Transistor  | FMG12         |
| C 931                                 | CKSYB225K16  | Q 102 Transistor  | DTA114EK      |
| C 932                                 | CKSYB225K16  | Q 150 Transistor  | 2SA1037K      |
| C 933                                 | CEJA4R7M35   | Q 151 Transistor  | FMG12         |
| C 934                                 | CEJA4R7M35   | Q 152 Transistor  | DTA114EK      |
| C 935                                 | CKSQYB224K16 | Q 160 Transistor  | 2SA1037K      |
| C 936                                 | CCSRCH560J50 | Q 161 Transistor  | DTC124EK      |
| C 937                                 | CKSYB225K16  | Q 230 Transistor  | DTC124EK      |
| C 938                                 | CKSYB225K16  | Q 261 Transistor  | 2SA1037K      |
| C 939                                 | CKSQYB224K16 | Q 262 Transistor  | 2SC2412K      |
| C 940                                 | CKSYB225K16  | Q 263 Transistor  | 2SC2412K      |
| C 941                                 | CKSYB225K16  | Q 264 Transistor  | 2SC2412K      |
| C 942                                 | CCSRCH560J50 | Q 265 Transistor  | 2SC2412K      |
| C 943                                 | CEJA100M16   | Q 266 Transistor  | 2SA1037K      |
| C 944                                 | CEJA100M16   | Q 267 Transistor  | 2SA1037K      |
| C 945                                 | CEJA100M16   | Q 268 Transistor  | 2SC2412K      |
| C 946                                 | CEJA100M16   | Q 269 Transistor  | 2SA1037K      |
| C 947                                 | CEJA100M16   | Q 270 Transistor  | 2SA1037K      |
| C 948                                 | CEJA100M16   | Q 271 Transistor  | 2SA1037K      |
| C 949                                 | CEJA100M16   | Q 350 Transistor  | DTA143EK      |
| C 950                                 | CKSQYB102K50 | Q 351 Transistor  | DTC323TU      |

| ====Circuit Symbol & No.====Part Name | Part No.  | ====Circuit Symbol & No.====Part Name | Part No.     |
|---------------------------------------|-----------|---------------------------------------|--------------|
| Q 352 Transistor                      | FMG12     | D 358 Diode                           | UDZ12(B)     |
| Q 353 Transistor                      | DTA114EK  | D 359 Diode                           | UDZ12(B)     |
| Q 400 Transistor                      | 2SC2412K  | D 360 Diode                           | UDZ12(B)     |
| Q 600 Transistor                      | DTA144EU  | D 361 Diode                           | UDZ12(B)     |
| Q 601 Transistor                      | 2SC2412K  | D 480 Diode                           | HZS16L(1)    |
| Q 680 Transistor                      | 2SC2412K  | D 650 Diode                           | MA152WK      |
| Q 681 Transistor                      | DTC124TK  | D 651 Diode                           | MA110        |
| Q 733 Transistor                      | 2SC2412K  | D 661 Diode                           | UDZ12(B)     |
| Q 734 Transistor                      | DTC124EK  | D 732 Diode                           | HZS9L(A2)    |
| Q 735 Transistor                      | 2SA1037K  | D 733 Diode                           | MA152WK      |
| Q 736 Transistor                      | IMD2A     | D 734 Diode                           | MA152WK      |
| Q 737 Transistor                      | DTA124EU  | D 800 Diode                           | ERA15-02VH   |
| Q 738 Transistor                      | 2SC2412K  | D 801 Diode                           | HZS6L(B1)    |
| Q 800 Transistor                      | DTA124EK  | D 802 Diode                           | HZS9L(B3)    |
| Q 801 Transistor                      | 2SA1797   | D 804 Diode                           | MA152WK      |
| Q 802 Transistor                      | DTC114EK  | D 805 Diode                           | HZS6L(B1)    |
| Q 803 Transistor                      | 2SD1857   | D 806 Diode                           | HZS9L(B3)    |
| Q 804 Transistor                      | 2SD2396   | D 807 Diode                           | MA152WK      |
| Q 805 Transistor                      | 2SB1184F5 | D 808 Diode                           | ERA15-02VH   |
| Q 806 Transistor                      | 2SC2412K  | D 809 Diode                           | MA152WK      |
| Q 807 Transistor                      | 2SA1797   | D 810 Diode                           | UDZ7R5(B)    |
| Q 808 Transistor                      | 2SA1797   | D 811 Diode                           | HZS7L(A1)    |
| Q 809 Transistor                      | DTC144EK  | D 814 Diode                           | ERA15-02VH   |
| Q 810 Transistor                      | 2SC2412K  | D 817 Diode                           | ERA15-02VH   |
| Q 811 Transistor                      | 2SA1037K  | D 819 Diode                           | ERA15-02VH   |
| Q 812 Transistor                      | 2SD1760F5 | D 820 Diode                           | ERA15-02VH   |
| Q 813 Transistor                      | 2SD2396   | D 821 Diode                           | ERA15-02VH   |
| Q 814 Transistor                      | 2SC2412K  | D 921 Diode                           | MA152WK      |
| Q 815 Transistor                      | DTA124EK  | L 100 Inductor                        | LCTB2R2K2125 |
| Q 816 Transistor                      | 2SA1037K  | L 101 Inductor                        | LCTB2R2K2125 |
| Q 817 Transistor                      | IMD2A     | L 150 Inductor                        | LCTB4R7K2125 |
| Q 818 Transistor                      | DTC144EK  | L 151 Inductor                        | LCTA220J3225 |
| Q 819 Transistor                      | IMX1      | L 160 Inductor                        | LCTB3R3K2125 |
| Q 820 Transistor                      | 2SA1037K  | L 260 Chip-Inductor                   | LCTA2R2J3225 |
| Q 821 Transistor                      | DTC124EK  | L 261 Chip-Inductor                   | LCTA2R2J3225 |
| Q 900 Transistor                      | DTC114TK  | L 263 Inductor                        | CTF1305      |
| Q 920 Transistor                      | IMD2A     | L 264 Inductor                        | CTF1305      |
| Q 921 Transistor                      | DTA124EK  | L 265 Inductor                        | LCTB2R2K2125 |
| Q 922 Transistor                      | FMG12     | L 266 Inductor                        | CTF1305      |
| Q 923 Transistor                      | IMD2A     | L 267 Inductor                        | LCTB2R2K2125 |
| Q 925 Transistor                      | FMG12     | L 268 Inductor                        | LCTB2R2K2125 |
| Q 926 Transistor                      | FMG12     | L 269 Inductor                        | CTF1306      |
| Q 927 Transistor                      | IMH3A     | L 270 Inductor                        | LCTB4R7K2125 |
| Q 929 Transistor                      | FMG12     | L 271 Inductor                        | LCTB4R7K2125 |
| Q 933 Transistor                      | DTC323TK  | L 272 Inductor                        | LCTB4R7K2125 |
| Q 934 Transistor                      | FMG13     | L 274 Inductor                        | LCTB100K2125 |
| Q 935 Transistor                      | FMG13     | L 275 Inductor                        | CTF1305      |
| Q 936 Transistor                      | FMG13     | L 276 Inductor                        | CTF1399      |
| D 100 Diode                           | UDZ12(B)  | L 350 Inductor                        | LCTA680J3225 |
| D 101 Diode                           | UDZ12(B)  | L 351 Inductor                        | LCTA680J3225 |
| D 102 Diode                           | MA110     | L 353 Inductor                        | CTF1305      |
| D 103 Diode                           | UDZ12(B)  | L 355 Inductor                        | CTF1305      |
| D 185 Diode                           | UDZ12(B)  | L 356 Inductor                        | CTF1305      |
| D 200 Diode                           | UDZ12(B)  | L 357 Inductor                        | CTF1305      |
| D 260 Diode                           | MA110     | L 358 Inductor                        | CTF1399      |
| D 261 Diode                           | MA110     | L 359 Inductor                        | CTF1399      |
| D 262 Diode                           | MA8039(H) | L 400 Inductor                        | LCTB4R7K2125 |
| D 263 Diode                           | MA152WK   | L 408 Inductor                        | CTF1399      |
| D 350 Diode                           | UDZ12(B)  | L 409 Inductor                        | CTF1306      |
| D 351 Diode                           | UDZ12(B)  | L 410 Inductor                        | CTF1306      |
| D 352 Diode                           | UDZ12(B)  | L 411 Inductor                        | CTF1306      |
| D 353 Diode                           | UDZ12(B)  | L 412 Inductor                        | CTF1306      |
| D 354 Diode                           | UDZ12(B)  | L 413 Chip-Inductor                   | LCTA2R2J3225 |
| D 355 Diode                           | UDZ12(B)  | L 418 Ferri-Inductor                  | LAU2R2K      |
| D 357 Diode                           | UDZ12(B)  | L 419 Inductor                        | CTF1399      |

# AVM-P8000R,P8000

| ====Circuit Symbol & No.====Part Name                | Part No.                      | ====Circuit Symbol & No.====Part Name | Part No.                                  |
|--|-------------------------------|---------------------------------------|---|
| L 600 Inductor                                       | CTF1306                       | R 110                                 | RS1/16S0R0J                               |
| L 601 Inductor                                       | CTF1420                       | R 111                                 | RS1/16S0R0J                               |
| L 602 Inductor                                       | CTF1470                       | R 112                                 | RS1/16S102J                               |
| L 603 Inductor                                       | CTF1306                       | R 113                                 | RS1/16S102J                               |
| L 604 Inductor                                       | CTF1306                       | R 114                                 | RS1/16S104J                               |
| L 605 Inductor                                       | CTF1399                       | R 115                                 | RS1/16S104J                               |
| L 606 Inductor                                       | CTF1399                       | R 116                                 | RS1/16S104J                               |
| L 607 Inductor                                       | CTF1306                       | R 117                                 | RS1/16S104J                               |
| L 650 Inductor                                       | CTF1399                       | R 118                                 | RS1/16S123J                               |
| L 660 Inductor-Array                                 | CTF1421                       | R 119                                 | RS1/16S133J                               |
| L 661 Inductor-Array                                 | CTF1421                       | R 120                                 | RS1/16S473J                               |
| L 662 Inductor                                       | CTF1306                       | R 121                                 | RS1/16S473J                               |
| L 663 Inductor                                       | CTF1306                       | R 122                                 | RS1/16S473J                               |
| L 664 Inductor                                       | CTF1306                       | R 123                                 | RS1/16S473J                               |
| L 665 Inductor                                       | CTF1306                       | R 124                                 | RS1/16S362J                               |
| L 666 Inductor                                       | CTF1409                       | R 125                                 | RS1/16S362J                               |
| L 668 Inductor                                       | CTF1306                       | R 126                                 | RS1/16S362J                               |
| L 669 Inductor                                       | CTF1306                       | R 127                                 | RS1/16S362J                               |
| L 670 Inductor                                       | CTF1306                       | R 128                                 | RS1/10S220J                               |
| L 672 Inductor                                       | CTF1306                       | R 129                                 | RS1/10S821J                               |
| L 673 Inductor                                       | CTF1409                       | R 130                                 | RS1/10S821J                               |
| L 674 Inductor                                       | CTF1409                       | R 131                                 | RS1/16S104J                               |
| L 675 Inductor                                       | CTF1409                       | R 132                                 | RS1/16S473J                               |
| L 676 Inductor                                       | CTF1409                       | R 133                                 | RS1/16S0R0J                               |
| L 677 Inductor                                       | CTF1306                       | R 135                                 | RS1/16S0R0J                               |
| L 680 Inductor                                       | CTF1399                       | R 136                                 | RS1/16S223J                               |
| L 681 Inductor                                       | CTF1399                       | R 137                                 | RS1/16S0R0J                               |
| L 682 Inductor-Array                                 | CTF1421                       | R 140                                 | RS1/16S223J                               |
| L 683 Inductor                                       | CTF1306                       | R 150                                 | RS1/10S471J                               |
| L 802 Choke Coil 100µH                               | CTH1157                       | R 151                                 | RS1/10S471J                               |
| L 803 Choke Coil 390mH                               | CTH1209                       | R 152                                 | RS1/10S681J                               |
| L 804 Ferri-Inductor                                 | LAU2R2K                       | R 153                                 | RS1/10S0R0J                               |
| L 805 Chip-Inductor                                  | LCTA2R2J3225                  | R 154                                 | RS1/10S101J                               |
| L 806 Choke Coil 600mH                               | CTH1171                       | R 155                                 | RS1/10S0R0J                               |
| L 809 Inductor                                       | CTF1399                       | R 156                                 | RS1/16S270J                               |
| L 810 Inductor                                       | CTF1489                       | R 157                                 | RS1/16S330J                               |
| L 980 Inductor                                       | CTF1409                       | R 160                                 | RS1/10S101J                               |
| X 260 Crystal Resonator 4.433619MHz                  | CSS1460                       | R 161                                 | RS1/10S620J                               |
| X 261 Crystal Resonator 3.579545MHz                  | CSS1465                       | R 162                                 | RS1/10S101J                               |
| X 600 Radiator 12.5829MHz                            | CSS1495                       | R 163                                 | RS1/10S181J                               |
| S 650 Switch(RESET)                                  | CSG1046                       | R 164                                 | RS1/10S223J                               |
| VR 260 Semi-fixed 100kΩ(B)                           | CCP1133                       | R 165                                 | RS1/10S102J                               |
| FU 100 Micro-Fuse 2A                                 | CEK1190                       | R 166                                 | RS1/16S102J                               |
| FU 150 Micro-Fuse 2A                                 | CEK1190                       | R 167                                 | RS1/10S223J                               |
| FU 180 Micro-Fuse 2A                                 | CEK1190                       | R 168                                 | RS1/16S181J                               |
| FU 200 Micro-Fuse 2A                                 | CEK1190                       | R 169                                 | RS1/16S183J                               |
| FU 350 Micro-Fuse 2A                                 | CEK1190                       | R 170                                 | RS1/10S222J                               |
| FU 351 Micro-Fuse 2A                                 | CEK1190                       | R 171                                 | RS1/16S102J                               |
| FU 352 Micro-Fuse 2A                                 | CEK1190                       | R 172                                 | RS1/16S102J                               |
| FU 800 Micro-Fuse 800mA                              | CEK1206                       | R 173                                 | RS1/10S472J                               |
| FU 801 Micro-Fuse 2A<br>FM/AM Tuner Unit<br>GDC Unit | CEK1190<br>CWE1501<br>CWM7146 | R 174<br>R 175<br>R 176               | RS1/10S223J<br>RS1/16S473J<br>RS1/16S473J |
| AR 400 Surge Protector                               | DSPS-201M-S00B                | R 177<br>R 178                        | RS1/10S0R0J<br>RS1/16S0R0J                |
| <b>RESISTORS</b>                                     |                               |                                       |   |
| R 100  | RS1/10S0R0J                   | R 179                                 | RS1/16S0R0J                               |
| R 101  | RS1/10S0R0J                   | R 185                                 | RS1/16S0R0J                               |
| R 102  | RS1/16S750J                   | R 186                                 | RS1/16S0R0J                               |
| R 103  | RS1/10S101J                   | R 187                                 | RS1/16S0R0J                               |
| R 104  | RS1/10S101J                   | R 188                                 | RS1/16S101J                               |
| R 105  | RS1/16S223J                   | R 189                                 | RS1/16S473J                               |
| R 106  | RS1/16S223J                   | R 190                                 | RS1/16S473J                               |
| R 107  | RS1/10S102J                   | R 191                                 | RS1/16S0R0J                               |
| R 108  | RS1/10S102J                   | R 192                                 | RS1/16S103J                               |
| R 109  | RS1/10S220J                   | R 193                                 | RS1/16S103J                               |

| ====Circuit Symbol & No.====Part Name | Part No.      | ====Circuit Symbol & No.====Part Name | Part No.    |
|---------------------------------------|---------------|---------------------------------------|-------------|
| R 194                                 | RS1/16S473J   | R 289                                 | RS1/10S101J |
| R 195                                 | RS1/16S473J   | R 290                                 | RS1/10S101J |
| R 200                                 | RS1/10S750J   | R 291                                 | RS1/10S103J |
| R 205                                 | RS1/16S104J   | R 292                                 | RS1/10S103J |
| R 206                                 | RS1/16S104J   | R 293                                 | RS1/10S331J |
| R 207                                 | RS1/16S102J   | R 294                                 | RS1/10S102J |
| R 208                                 | RS1/16S104J   | R 295                                 | RS1/10S331J |
| R 209                                 | RS1/16S104J   | R 296                                 | RS1/10S102J |
| R 210                                 | RS1/16S102J   | R 297                                 | RS1/10S331J |
| R 211                                 | RN1/16SE1002D | R 298                                 | RS1/10S102J |
| R 212                                 | RN1/16SE1002D | R 299                                 | RS1/16S471J |
| R 213                                 | RN1/16SE1002D | R 300                                 | RS1/16S471J |
| R 214                                 | RN1/16SE1002D | R 301                                 | RS1/16S471J |
| R 215                                 | RN1/16SE4701D | R 302                                 | RS1/16S471J |
| R 216                                 | RN1/16SE4701D | R 303                                 | RS1/16S471J |
| R 217                                 | RN1/16SE4701D | R 304                                 | RS1/16S471J |
| R 218                                 | RN1/16SE4701D | R 305                                 | RS1/10S0R0J |
| R 219                                 | RS1/10S103J   | R 306                                 | RS1/10S0R0J |
| R 220                                 | RS1/10S103J   | R 307                                 | RS1/10S0R0J |
| R 231                                 | RS1/16S223J   | R 309                                 | RS1/10S0R0J |
| R 233                                 | RS1/16S223J   | R 310                                 | RS1/10S0R0J |
| R 234                                 | RS1/16S222J   | R 311                                 | RS1/10S0R0J |
| R 235                                 | RS1/16S0R0J   | R 350                                 | RS1/10S104J |
| R 236                                 | RS1/16S104J   | R 351                                 | RS1/10S750J |
| R 237                                 | RS1/16S223J   | R 352                                 | RS1/10S750J |
| R 238                                 | RS1/16S561J   | R 353                                 | RS1/10S750J |
| R 239                                 | RS1/16S223J   | R 354                                 | RS1/10S750J |
| R 241                                 | RS1/16S473J   | R 355                                 | RS1/16S0R0J |
| R 242                                 | RS1/16S101J   | R 360                                 | RS1/16S0R0J |
| R 243                                 | RS1/16S101J   | R 364                                 | RS1/16S0R0J |
| R 244                                 | RS1/16S473J   | R 365                                 | RS1/16S0R0J |
| R 245                                 | RS1/16S104J   | R 366                                 | RS1/16S0R0J |
| R 246                                 | RS1/16S104J   | R 368                                 | RS1/10S0R0J |
| R 247                                 | RS1/16S222J   | R 370                                 | RS1/10S0R0J |
| R 248                                 | RS1/16S222J   | R 371                                 | RS1/16S0R0J |
| R 249                                 | RS1/16S473J   | R 400                                 | RS1/10S0R0J |
| R 250                                 | RS1/16S473J   | R 401                                 | RS1/10S473J |
| R 259                                 | RS1/16S750J   | R 402                                 | RS1/16S103J |
| R 260                                 | RS1/16S0R0J   | R 403                                 | RS1/10S473J |
| R 261                                 | RS1/10S471J   | R 404                                 | RS1/10S681J |
| R 262                                 | RS1/10S0R0J   | R 405                                 | RS1/10S681J |
| R 264                                 | RS1/10S101J   | R 406                                 | RS1/10S272J |
| R 265                                 | RS1/16S473J   | R 407                                 | RS1/10S272J |
| R 266                                 | RS1/10S0R0J   | R 408                                 | RS1/10S102J |
| R 267                                 | RS1/10S471J   | R 410                                 | RS1/16S393J |
| R 268                                 | RS1/10S471J   | R 411                                 | RS1/10S162J |
| R 269                                 | RS1/16S0R0J   | R 412                                 | RS1/10S162J |
| R 270                                 | RS1/16S471J   | R 414                                 | RS1/16S0R0J |
| R 271                                 | RS1/10S103J   | R 415                                 | RS1/16S0R0J |
| R 272                                 | RS1/10S102J   | R 417                                 | RS1/16S681J |
| R 273                                 | RN1/10SE1002D | R 418                                 | RS1/10S0R0J |
| R 274                                 | RS1/10S471J   | R 419                                 | RS1/16S681J |
| R 275                                 | RS1/10S471J   | R 420                                 | RS1/16S681J |
| R 276                                 | RS1/10S0R0J   | R 421                                 | RS1/16S681J |
| R 277                                 | RS1/10S0R0J   | R 424                                 | RS1/16S473J |
| R 278                                 | RN1/10SE1002D | R 425                                 | RS1/16S473J |
| R 279                                 | RS1/10S681J   | R 426                                 | RS1/10S473J |
| R 281                                 | RS1/10S102J   | R 427                                 | RS1/16S472J |
| R 282                                 | RS1/10S222J   | R 429                                 | RS1/16S473J |
| R 283                                 | RS1/10S123J   | R 430                                 | RS1/16S0R0J |
| R 284                                 | RS1/10S222J   | R 431                                 | RS1/16S0R0J |
| R 285                                 | RN1/10SE1002D | R 445                                 | RS1/16S0R0J |
| R 286                                 | RS1/10S101J   | R 446                                 | RS1/16S0R0J |
| R 287                                 | RS1/10S101J   | R 480                                 | RS1/8S151J  |
| R 288                                 | RS1/10S222J   | R 491                                 | RS1/16S0R0J |

# AVM-P800OR,P8000

| ====Circuit Symbol & No.===Part Name | Part No.    | ====Circuit Symbol & No.===Part Name | Part No.    |
|--------------------------------------|-------------|--------------------------------------|-------------|
| R 492                                | RS1/10S0R0J | R 703                                | RS1/16S104J |
| R 601                                | RS1/16S0R0J | R 736                                | RS1/10S473J |
| R 602                                | RS1/16S102J | R 737                                | RS1/16S103J |
| R 603                                | RS1/16S102J | R 738                                | RS1/10S103J |
| R 604                                | RS1/16S102J | R 739                                | RS1/10S103J |
| R 605                                | RS1/16S222J | R 740                                | RS1/10S333J |
| R 606                                | RS1/16S222J | R 742                                | RS1/16S224J |
| R 607                                | RS1/16S473J | R 743                                | RS1/16S473J |
| R 608                                | RA3C102J    | R 745                                | RS1/16S0R0J |
| R 609                                | RS1/16S473J | R 800                                | RS1/16S102J |
| R 611                                | RS1/16S473J | R 801                                | RS1/16S102J |
| R 613                                | RAB4C471J   | R 802                                | RS1/10S473J |
| R 614                                | RAB4C221J   | R 803                                | RS1/10S473J |
| R 616                                | RS1/16S473J | R 804                                | RS1/10S472J |
| R 617                                | RS1/16S102J | R 806                                | RS1/10S102J |
| R 618                                | RS1/16S221J | R 807                                | RS1/10S102J |
| R 619                                | RS1/16S473J | R 808                                | RS1/10S472J |
| R 620                                | RS1/10S102J | R 810                                | RS1/10S472J |
| R 621                                | RS1/16S101J | R 811                                | RD1/4PU271J |
| R 622                                | RS1/16S103J | R 812                                | RD1/4PU271J |
| R 623                                | RS1/16S101J | R 813                                | RS1/10S472J |
| R 624                                | RS1/16S103J | R 814                                | RS1/10S271J |
| R 626                                | RS1/16S473J | R 815                                | RS1/10S822J |
| R 628                                | RS1/16S473J | R 816                                | RD1/4PU431J |
| R 629                                | RS1/16S471J | R 817                                | RS1/16S0R0J |
| R 630                                | RS1/16S102J | R 818                                | RS1/10S822J |
| R 631                                | RS1/16S473J | R 819                                | RD1/4PU122J |
| R 632                                | RS1/16S473J | R 820                                | RS1/10S331J |
| R 633                                | RS1/16S681J | R 821                                | RS1/10S102J |
| R 634                                | RS1/16S0R0J | R 822                                | RS1/10S472J |
| R 635                                | RS1/16S0R0J | R 823                                | RS1/10S273J |
| R 636                                | RS1/16S0R0J | R 824                                | RS1/10S273J |
| R 637                                | RS1/16S0R0J | R 825                                | RS1/10S102J |
| R 638                                | RS1/16S473J | R 826                                | RS1/10S472J |
| R 639                                | RS1/16S473J | R 827                                | RS1/10S221J |
| R 640                                | RS1/16S473J | R 828                                | RS1/10S752J |
| R 641                                | RS1/16S473J | R 829                                | RS1/10S472J |
| R 642                                | RS1/10S473J | R 830                                | RS1/10S561J |
| R 643                                | RS1/10S223J | R 831                                | RS1/16S103J |
| R 644                                | RS1/16S223J | R 832                                | RS1/16S473J |
| R 645                                | RS1/16S102J | R 833                                | RS1/10S473J |
| R 646                                | RS1/16S102J | R 834                                | RS1/8S153J  |
| R 647                                | RS1/16S473J | R 835                                | RS1/10S473J |
| R 648                                | RS1/16S473J | R 836                                | RS1/10S392J |
| R 649                                | RS1/16S473J | R 837                                | RS1/10S223J |
| R 650                                | RS1/10S0R0J | R 838                                | RS1/8S101J  |
| R 651                                | RS1/10S471J | R 839                                | RS1/16S472J |
| R 652                                | RS1/10S822J | R 840                                | RS1/10S102J |
| R 662                                | RS1/10S0R0J | R 841                                | RS1/10S473J |
| R 664                                | RS1/16S0R0J | R 842                                | RS1/16S472J |
| R 665                                | RS1/16S0R0J | R 843                                | RS1/10S472J |
| R 682                                | RS1/16S104J | R 845                                | RS1/10S103J |
| R 683                                | RS1/16S103J | R 846                                | RS1/8S103J  |
| R 684                                | RS1/16S103J | R 847                                | RS1/10S103J |
| R 685                                | RS1/16S163J | R 849                                | RS1/10S473J |
| R 686                                | RS1/10S104J | R 850                                | RS1/10S473J |
| R 687                                | RS1/10S102J | R 852                                | RS1/10S103J |
| R 689                                | RS1/16S473J | R 853                                | RS1/10S472J |
| R 690                                | RS1/16S102J | R 870                                | RS1/16S0R0J |
| R 691                                | RS1/16S102J | R 871                                | RS1/16S0R0J |
| R 692                                | RS1/16S102J | R 901                                | RS1/16S103J |
| R 698                                | RS1/16S0R0J | R 902                                | RS1/10S103J |
| R 700                                | RS1/16S102J | R 904                                | RS1/10S331J |
| R 701                                | RS1/16S102J | R 905                                | RS1/10S103J |
| R 702                                | RS1/16S104J | R 919                                | RS1/16S102J |

| ====Circuit Symbol & No.====Part Name | Part No.     | ====Circuit Symbol & No.====Part Name | Part No.     |
|---------------------------------------|--------------|---------------------------------------|--------------|
| R 920                                 | RS1/10S471J  | C 150                                 | CEJA100M16   |
| R 921                                 | RS1/10S471J  | C 151                                 | CEJA100M16   |
| R 924                                 | RS1/10S471J  | C 152                                 | CKSQYB103K50 |
| R 925                                 | RS1/10S471J  | C 153                                 | CCH1182      |
| R 926                                 | RS1/10S471J  | C 154                                 | CEJA100M16   |
|                                       |              |                                       | 470μF/6.3V   |
| R 927                                 | RS1/10S471J  | C 155                                 | CEJA100M16   |
| R 928                                 | RS1/16S472J  | C 156                                 | CKSYB475K10  |
| R 929                                 | RS1/10S471J  | C 160                                 | CKSQYB104K50 |
| R 931                                 | RS1/10S101J  | C 161                                 | CKSQYB105K16 |
| R 932                                 | RS1/10S101J  | C 162                                 | CKSQYB105K16 |
| R 934                                 | RS1/16S472J  | C 163                                 | CEJA100M16   |
| R 936                                 | RS1/10S471J  | C 164                                 | CEJA100M16   |
| R 938                                 | RS1/10S473J  | C 165                                 | CKSQYB105K16 |
| R 939                                 | RS1/10S473J  | C 166                                 | CKSQYB105K16 |
| R 942                                 | RS1/10S473J  | C 167                                 | CKSQYB104K50 |
| R 943                                 | RS1/10S473J  | C 168                                 | CEJANP100M10 |
| R 948                                 | RS1/10S821J  | C 169                                 | CEJANP100M10 |
| R 949                                 | RS1/10S103J  | C 170                                 | CEJANP220M10 |
| R 950                                 | RS1/10S473J  | C 171                                 | CEJANP220M10 |
| R 951                                 | RS1/10S103J  | C 185                                 | CEJA100M16   |
| R 952                                 | RS1/10S104J  | C 186                                 | CEJA100M16   |
| R 953                                 | RS1/10S104J  | C 187                                 | CEJA1R0M50   |
| R 954                                 | RS1/10S103J  | C 203                                 | CEJANP100M10 |
| R 955                                 | RS1/16S104J  | C 204                                 | CEJANP100M10 |
| R 956                                 | RS1/10S103J  | C 205                                 | CEJANP100M10 |
| R 957                                 | RS1/16S103J  | C 206                                 | CEJANP100M10 |
| R 958                                 | RS1/16S103J  | C 207                                 | CCSQCH101J50 |
| R 959                                 | RS1/16S103J  | C 208                                 | CCSQCH101J50 |
| R 960                                 | RS1/16S103J  | C 209                                 | CEJA4R7M35   |
| R 961                                 | RS1/16S103J  | C 210                                 | CCSQCH101J50 |
| R 962                                 | RS1/16S103J  | C 211                                 | CCSQCH101J50 |
| R 963                                 | RS1/10S821J  | C 212                                 | CEJA4R7M35   |
| R 964                                 | RS1/10S821J  | C 213                                 | CKSQYB471K50 |
| R 965                                 | RS1/10S821J  | C 214                                 | CEJA101M10   |
| R 966                                 | RS1/10S821J  | C 230                                 | CKSQYB104K50 |
| R 967                                 | RS1/10S821J  | C 231                                 | CKSRYB681K50 |
| R 968                                 | RS1/10S821J  | C 232                                 | CEJAR10M50   |
| R 969                                 | RS1/10S223J  | C 233                                 | CEJA100M16   |
| R 970                                 | RS1/10S223J  | C 234                                 | CCSRCH101J50 |
| R 971                                 | RS1/10S223J  | C 235                                 | CEJA101M16   |
| R 972                                 | RS1/10S223J  | C 236                                 | CKSQYB104K50 |
| R 973                                 | RS1/10S223J  | C 237                                 | CEJANPR10M50 |
| R 974                                 | RS1/10S223J  | C 238                                 | CKSRYB473K25 |
| R 975                                 | RS1/16S822J  | C 239                                 | CKSRYB222K50 |
| R 976                                 | RS1/16S0R0J  | C 240                                 | CKSRYB473K25 |
| R 977                                 | RS1/16S0R0J  | C 241                                 | CEJANP100M16 |
| R 978                                 | RS1/16S0R0J  | C 242                                 | CEJANP100M16 |
|                                       |              | C 243                                 | CEJA100M16   |
|                                       |              | C 244                                 | CKSRYB104K16 |
|                                       |              | C 259                                 | CKSRYB221K50 |
| <b>CAPACITORS</b>                     |              |                                       |              |
| C 100                                 | CKSRYB471K50 |                                       |              |
| C 101                                 | CKSRYB471K50 | C 260                                 | CCSQCH180J50 |
| C 102                                 | CCSRCH101J50 | C 261                                 | CEJAR10M50   |
| C 103                                 | CCSRCH101J50 | C 262                                 | CKSQYB103K50 |
| C 104                                 | CEJA220M16   | C 263                                 | CCSQCH180J50 |
|                                       |              | C 264                                 | CKSQYB224K25 |
| C 105                                 | CEJA101M16   |                                       |              |
| C 106                                 | CEJA4R7M35   | C 265                                 | CEJA1R0M50   |
| C 107                                 | CEJA4R7M35   | C 266                                 | CKSQYB105K16 |
| C 108                                 | CEJA4R7M35   | C 267                                 | CEJA1R0M50   |
| C 109                                 | CEJA1R0M50   | C 268                                 | CEJA100M16   |
|                                       |              | C 269                                 | CEJA4R7M35   |
| C 110                                 | CEJA4R7M35   |                                       |              |
| C 111                                 | CKSRYB102K50 | C 270                                 | CKSQYB103K50 |
| C 112                                 | CEJA330M16   | C 271                                 | CCSQCH470J50 |
| C 113                                 | CEJA100M16   | C 272                                 | CEJA1R0M50   |
| C 115                                 | CKSYB225K16  | C 273                                 | CKSQYB104K50 |
|                                       |              | C 274                                 | CEJA100M16   |
| C 117                                 | CKSYB225K16  |                                       |              |
| C 118                                 | CKSRYB102K50 |                                       |              |
| C 119                                 | CKSQYB225K10 |                                       |              |
| C 120                                 | CKSQYB225K10 |                                       |              |
| C 121                                 | CKSRYB102K50 |                                       |              |

# AVM-P8000R,P8000

| ====Circuit Symbol & No.====Part Name | Part No.     | ====Circuit Symbol & No.====Part Name | Part No.     |
|---------------------------------------|--------------|---------------------------------------|--------------|
| C 275                                 | CKSQYB103K50 | C 424                                 | CCSRCH101J50 |
| C 276                                 | CCSQCH100J50 | C 480                                 | CCSRCH101J50 |
| C 277                                 | CKSQYB104K50 | C 481                                 | CKSRYB102K50 |
| C 278                                 | CKSQYB103K50 | C 482                                 | CEJA100M16   |
| C 279                                 | CKSQYB103K50 | C 600                                 | CKSRYB103K50 |
| C 280                                 | CKSQYB103K50 | C 601                                 | CKSRYB102K50 |
| C 281                                 | CEJA470M10   | C 603                                 | CKSRYB102K50 |
| C 282                                 | CKSQYB104K50 | C 604                                 | CCSRCH102J50 |
| C 283                                 | CEJA100M16   | C 605                                 | CCSRCH101J50 |
| C 285                                 | CKSQYB103K50 | C 606                                 | CKSQYB104K50 |
| C 286                                 | CKSQYB105K16 | C 607                                 | CKSRYB104K16 |
| C 287                                 | CKSQYB103K50 | C 608                                 | CCSRCH270J50 |
| C 288                                 | CKSQYB103K50 | C 609                                 | CCSRCH270J50 |
| C 289                                 | CKSQYB471K50 | C 611                                 | CCSRCH101J50 |
| C 290                                 | CEJA1R0M50   | C 612                                 | CCSRCH101J50 |
| C 291                                 | CKSQYB103K50 | C 650                                 | CEJA2R2M50   |
| C 292                                 | CKSQYB472K50 | C 666                                 | CKSQYB104K50 |
| C 293                                 | CCSQCH100J50 | C 667                                 | CEJA470M16   |
| C 294                                 | CKSQYB103K50 | C 668                                 | CKSQYB105K16 |
| C 295                                 | CKSQYB103K50 | C 669                                 | CCSRCH220J50 |
| C 300                                 | CEJA470M10   | C 670                                 | CCSRCH220J50 |
| C 301                                 | CKSRYB103K50 | C 671                                 | CCSRCH220J50 |
| C 302                                 | CEJA100M16   | C 672                                 | CCSRCH220J50 |
| C 303                                 | CKSQYB221K50 | C 673                                 | CCSRCH220J50 |
| C 304                                 | CEJA100M16   | C 674                                 | CCSRCH220J50 |
| C 305                                 | CKSQYB221K50 | C 682                                 | CEJANP1R0M50 |
| C 306                                 | CKSQYB105K16 | C 685                                 | CEJANP1R0M50 |
| C 307                                 | CKSQYB105K16 | C 686                                 | CKSQYB104K50 |
| C 308                                 | CKSQYB105K16 | C 687                                 | CKSQYB104K50 |
| C 309                                 | CKSQYB221K50 | C 688                                 | CKSQYB103K50 |
| C 313                                 | CKSQYB103K50 | C 689                                 | CKSQYB105K16 |
| C 314                                 | CKSQYB103K50 | C 700                                 | CKSQYB104K50 |
| C 315                                 | CKSQYB103K50 | C 701                                 | CKSQYB104K50 |
| C 316                                 | CEJA100M16   | C 702                                 | CKSRYB104K16 |
| C 317                                 | CKSQYB105K16 | C 703                                 | CEJA100M16   |
| C 318                                 | CEJA100M16   | C 704                                 | CEJANP4R7M16 |
| C 319                                 | CEJA100M16   | C 705                                 | CKSRYB152K50 |
| C 321                                 | CKSQYB103K50 | C 706                                 | CEJANP4R7M16 |
| C 322                                 | CKSQYB103K50 | C 707                                 | CEJANP4R7M16 |
| C 323                                 | CKSQYB105K16 | C 708                                 | CKSRYB152K50 |
| C 325                                 | CKSQYB103K50 | C 709                                 | CEJANP4R7M16 |
| C 328                                 | CKSQYB103K50 | C 710                                 | CKSQYB473K50 |
| C 350                                 | CEJA1R0M50   | C 711                                 | CKSQYB473K50 |
| C 351                                 | CKSQYB103K50 | C 712                                 | CKSQYB473K50 |
| C 352                                 | CEJA470M6R3  | C 713                                 | CKSQYB473K50 |
| C 353                                 | CKSQYB103K50 | C 714                                 | CKSQYB153K50 |
| C 354                                 | CEJA220M10   | C 715                                 | CKSQYB333K50 |
| C 355                                 | CEJA221M6R3  | C 716                                 | CKSQYB123K50 |
| C 356                                 | CKSQYB103K50 | C 717                                 | CKSQYB473K50 |
| C 357                                 | CEJA470M6R3  | C 718                                 | CKSQYB153K50 |
| C 359                                 | 470μF/6.3V   | C 719                                 | CKSQYB105K16 |
| C 360                                 | 470μF/6.3V   | C 720                                 | CKSQYB105K16 |
| C 361                                 | 470μF/6.3V   | C 800                                 | CKSYB225K16  |
| C 400                                 |              | C 801                                 | CKSYB225K16  |
| C 401                                 |              | C 802                                 | 330μF/10V    |
| C 402                                 |              | C 803                                 | 330μF/10V    |
| C 403                                 |              | C 804                                 | 330μF/10V    |
| C 405                                 | 330μF/10V    | C 805                                 | CKSRYB103K50 |
| C 406                                 |              | C 807                                 | CEJA101M16   |
| C 410                                 |              | C 811                                 | 1000μF/16V   |
| C 411                                 |              | C 812                                 | CEJA101M10   |
| C 413                                 |              | C 813                                 | 330μF/10V    |
| C 414                                 |              | C 814                                 | CKSQYB103K50 |
| C 418                                 |              | C 815                                 | CKSQYB103K50 |
| C 419                                 |              | C 816                                 | 330μF/10V    |

| ====Circuit Symbol & No.====Part Name | Part No.     | ====Circuit Symbol & No.====Part Name | Part No.         |
|---------------------------------------|--------------|---------------------------------------|------------------|
| C 817                                 | CEJA220M10   | IC 1751 IC                            | MSM5118165D-60TS |
| C 818                                 | CEJA101M16   | IC 1752 IC                            | MSM5118165D-60TS |
| C 819                                 | CKSQYB103K50 | IC 1823 IC                            | TC7WH125FU       |
| C 820                                 | CEJA470M10   | IC 1831 IC                            | BA7046F          |
| C 821                                 | CEJA101M16   | IC 1841 IC                            | TC74VHC123AFT    |
| C 822                                 | CKSQYB472K50 | IC 1891 IC                            | NJM78L03UA       |
| C 823                                 | CKSQYB103K50 | IC 1892 IC                            | TLC2932          |
| C 824                                 | CKSQYB103K50 | IC 1893 IC                            | TC7SET04FU       |
| C 825                                 | CEJA101M16   | IC 1894 IC                            | TC74VHC4040FT    |
| C 826 2200µF/16V                      | CCH1186      | IC 1895 IC                            | TC3W03FU         |
| C 829                                 | CEJA101M16   | D 1841 Diode                          | MA110            |
| C 830                                 | CKSQYB103K50 | D 1842 Diode                          | MA110            |
| C 831                                 | CKSQYB472K50 | L 1601 Inductor-Array                 | CTF1421          |
| C 833                                 | CKSQYB472K50 | L 1602 Inductor-Array                 | CTF1421          |
| C 834                                 | CCSRCH101J50 | L 1603 Inductor-Array                 | CTF1421          |
| C 903                                 | CEJA100M16   | L 1604 Inductor-Array                 | CTF1421          |
| C 906 10.0µF/16V                      | CCG1143      | L 1605 Inductor-Array                 | CTF1421          |
| C 907 10.0µF/16V                      | CCG1143      | L 1606 Inductor                       | CTF1410          |
| C 908                                 | CKSYB104K50  | L 1607 Inductor-Array                 | CTF1421          |
| C 910                                 | CEAT682M16   | L 1608 Inductor-Array                 | CTF1421          |
| C 911                                 | CEJA330M16   | L 1609 Inductor-Array                 | CTF1421          |
| C 912                                 | CKSQYB473K50 | L 1610 Inductor                       | CTF1410          |
| C 916                                 | CEJA4R7M35   | L 1611 Inductor-Array                 | CTF1421          |
| C 917                                 | CEJA4R7M35   | L 1612 Inductor                       | CTF1410          |
| C 919                                 | CKSYB105K16  | L 1613 Inductor                       | CTF1399          |
| C 922                                 | CEJA4R7M35   | L 1614 Inductor                       | CTF1410          |
| C 923                                 | CEJA4R7M35   | L 1615 Inductor-Array                 | CTF1421          |
| C 925                                 | CKSYB225K16  | L 1616 Inductor-Array                 | CTF1421          |
| C 926                                 | CKSYB225K16  | L 1617 Inductor                       | CTF1410          |
| C 931                                 | CKSYB225K16  | L 1618 Inductor                       | CTF1410          |
| C 932                                 | CKSYB225K16  | L 1619 Inductor                       | CTF1410          |
| C 933                                 | CEJA4R7M35   | L 1620 Inductor                       | CTF1410          |
| C 934                                 | CEJA4R7M35   | L 1621 Inductor                       | CTF1410          |
| C 935                                 | CKSQYB224K16 | L 1623 Inductor-Array                 | CTF1421          |
| C 936                                 | CCSRCH560J50 | L 1624 Inductor-Array                 | CTF1421          |
| C 937                                 | CKSYB225K16  | L 1625 Inductor-Array                 | CTF1421          |
| C 938                                 | CKSYB225K16  | L 1627 Inductor                       | CTF1399          |
| C 939                                 | CKSQYB224K16 | L 1701 Inductor-Array                 | CTF1421          |
| C 940                                 | CKSYB225K16  | L 1702 Inductor-Array                 | CTF1421          |
| C 941                                 | CKSYB225K16  | L 1703 Inductor-Array                 | CTF1421          |
| C 942                                 | CCSRCH560J50 | L 1704 Inductor-Array                 | CTF1421          |
| C 943                                 | CEJA100M16   | L 1705 Inductor-Array                 | CTF1421          |
| C 944                                 | CEJA100M16   | L 1709 Inductor                       | CTF1410          |
| C 945                                 | CEJA100M16   | L 1710 Inductor-Array                 | CTF1421          |
| C 946                                 | CEJA100M16   | L 1711 Inductor-Array                 | CTF1421          |
| C 947                                 | CEJA100M16   | L 1712 Inductor-Array                 | CTF1421          |
| C 948                                 | CEJA100M16   | L 1713 Inductor-Array                 | CTF1421          |
| C 949                                 | CEJA100M16   | L 1714 Inductor-Array                 | CTF1421          |
| C 950                                 | CKSQYB102K50 | L 1715 Inductor-Array                 | CTF1421          |
| C 951                                 | CKSQYB102K50 | L 1716 Inductor-Array                 | CTF1421          |
| C 952                                 | CKSQYB102K50 | L 1717 Inductor-Array                 | CTF1421          |
| C 953                                 | CKSQYB102K50 | L 1718 Inductor-Array                 | CTF1421          |
| C 954                                 | CKSQYB102K50 | L 1719 Inductor-Array                 | CTF1421          |
| C 955                                 | CKSQYB102K50 | L 1720 Inductor                       | CTF1410          |
| C 978                                 | CKSRYB103K50 | L 1721 Inductor-Array                 | CTF1421          |
| C 979                                 | CKSRYB104K16 | L 1722 Inductor-Array                 | CTF1421          |
|                                       |              | L 1723 Inductor-Array                 | CTF1421          |
|                                       |              | L 1724 Inductor-Array                 | CTF1421          |
|                                       |              | L 1725 Inductor-Array                 | CTF1421          |
|                                       |              | L 1726 Inductor-Array                 | CTF1421          |
|                                       |              | L 1727 Inductor-Array                 | CTF1421          |
|                                       |              | L 1728 Inductor-Array                 | CTF1421          |
|                                       |              | L 1729 Inductor                       | CTF1410          |
|                                       |              | L 1730 Inductor-Array                 | CTF1421          |
|                                       |              | L 1731 Inductor-Array                 | CTF1421          |
| IC 1601 IC                            | PD3415A      |                                       |                  |
| IC 1602 IC                            | TC7SH04FU    |                                       |                  |
| IC 1651 IC                            | PD8064A      |                                       |                  |
| IC 1652 IC                            | PD8065A      |                                       |                  |
| IC 1701 IC                            | HD64412FI    |                                       |                  |

**C** Unit Number : CWM7146  
Unit Name : GDC Unit

MISCELLANEOUS

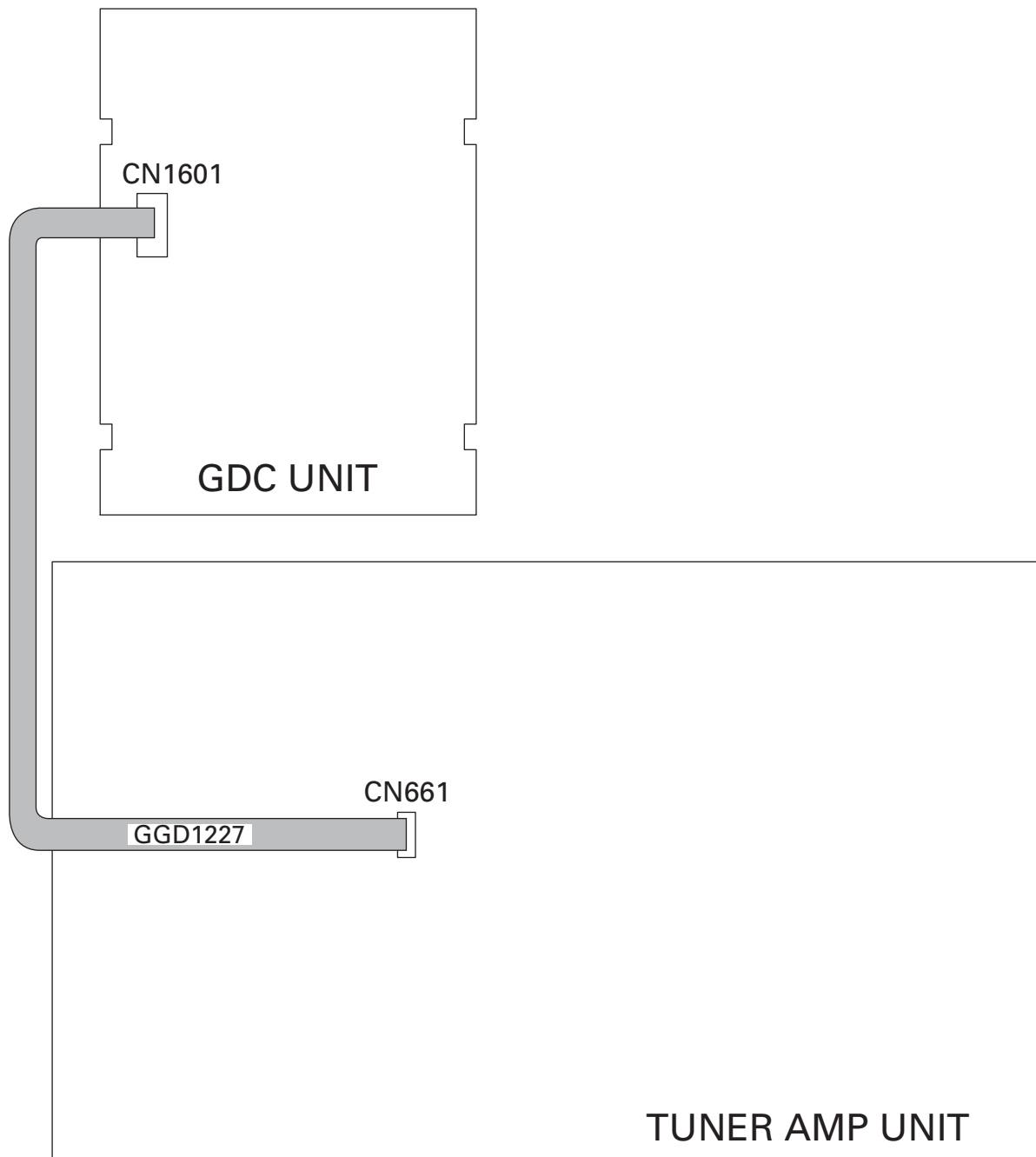
# AVM-P8000R,P8000

| ====Circuit Symbol & No.====Part Name | Part No.    | ====Circuit Symbol & No.====Part Name | Part No.    |
|---------------------------------------|-------------|---------------------------------------|-------------|
| L 1732 Inductor-Array                 | CTF1421     | R 1710                                | RAB4C220J   |
| L 1733 Inductor                       | CTF1306     | R 1711                                | RAB4C220J   |
| L 1823 Inductor                       | CTF1399     | R 1712                                | RAB4C220J   |
| L 1831 Inductor                       | CTF1399     | R 1713                                | RAB4C220J   |
| L 1841 Inductor                       | CTF1399     | R 1714                                | RS1/16S220J |
| L 1892 Inductor                       | CTF1399     | R 1715                                | RS1/16S302J |
| L 1893 Inductor                       | CTF1399     | R 1716                                | RS1/16S220J |
| L 1894 Inductor                       | CTF1399     | R 1717                                | RS1/16S220J |
| L 1895 Inductor                       | CTF1399     | R 1718                                | RAB4C220J   |
| L 1896 Inductor                       | CTF1399     | R 1719                                | RAB4C220J   |
| X 1601 Radiator 20MHz                 | CSS1520     | R 1720                                | RAB4C220J   |
| X 1701 Radiator 8.25MHz               | CWX2475     | R 1721                                | RAB4C220J   |
| X 1702 Radiator 7.977138MHz           | CWX2474     | R 1722                                | RAB4C220J   |
| EF 1601 EMI Filter                    | CCG1142     | R 1723                                | RS1/16S473J |
| EF 1651 EMI Filter                    | CCG1142     | R 1725                                | RS1/16S220J |
| EF 1652 EMI Filter                    | CCG1142     | R 1726                                | RS1/16S473J |
| EF 1701 EMI Filter                    | CCG1142     | R 1727                                | RS1/16S473J |
| EF 1702 EMI Filter                    | CCG1142     | R 1751                                | RAB4C0R0J   |
| EF 1703 EMI Filter                    | CCG1142     | R 1752                                | RAB4C0R0J   |
| EF 1751 EMI Filter                    | CCG1142     | R 1753                                | RS1/16S0R0J |
| EF 1752 EMI Filter                    | CCG1142     | R 1754                                | RS1/16S0R0J |
|                                       |             | R 1755                                | RAB4C0R0J   |
|                                       |             | R 1756                                | RAB4C0R0J   |
|                                       |             | R 1757                                | RAB4C0R0J   |
|                                       |             | R 1758                                | RAB4C0R0J   |
| <b>RESISTORS</b>                      |             |                                       |             |
| R 1601                                | RS1/16S473J |                                       |             |
| R 1603                                | RS1/16S102J |                                       |             |
| R 1604                                | RS1/16S102J | R 1759                                | RS1/16S0R0J |
| R 1605                                | RS1/16S102J | R 1760                                | RAB4C0R0J   |
| R 1606                                | RA3C102J    | R 1761                                | RAB4C0R0J   |
|                                       |             | R 1762                                | RAB4C0R0J   |
|                                       |             | R 1763                                | RS1/16S0R0J |
| R 1609                                | RS1/16S102J |                                       |             |
| R 1611                                | RS1/16S473J |                                       |             |
| R 1612                                | RS1/16S473J | R 1764                                | RS1/16S0R0J |
| R 1613                                | RS1/16S105J | R 1765                                | RAB4C0R0J   |
| R 1614                                | RS1/16S471J | R 1766                                | RAB4C0R0J   |
|                                       |             | R 1767                                | RAB4C0R0J   |
|                                       |             | R 1768                                | RAB4C0R0J   |
| R 1615                                | RS1/16S102J |                                       |             |
| R 1616                                | RAB4C102J   |                                       |             |
| R 1617                                | RS1/16S102J | R 1769                                | RS1/16S0R0J |
| R 1618                                | RA3C102J    | R 1770                                | RAB4C0R0J   |
| R 1621                                | RS1/16S0R0J | R 1781                                | RS1/16S332J |
|                                       |             | R 1782                                | RS1/16S332J |
|                                       |             | R 1783                                | RS1/16S332J |
| R 1622                                | RS1/16S0R0J |                                       |             |
| R 1623                                | RS1/16S0R0J |                                       |             |
| R 1624                                | RS1/16S0R0J | R 1784                                | RS1/16S332J |
| R 1631                                | RS1/16S0R0J | R 1785                                | RS1/16S332J |
| R 1651                                | RAB4C0R0J   | R 1786                                | RS1/16S332J |
|                                       |             | R 1787                                | RS1/16S103J |
|                                       |             | R 1788                                | RS1/16S103J |
| R 1652                                | RAB4C0R0J   |                                       |             |
| R 1653                                | RAB4C0R0J   |                                       |             |
| R 1654                                | RAB4C0R0J   | R 1789                                | RS1/16S103J |
| R 1655                                | RAB4C0R0J   | R 1790                                | RAB4C103J   |
| R 1656                                | RAB4C0R0J   | R 1791                                | RAB4C103J   |
|                                       |             | R 1792                                | RAB4C103J   |
|                                       |             | R 1793                                | RAB4C203J   |
| R 1657                                | RAB4C0R0J   |                                       |             |
| R 1658                                | RAB4C0R0J   |                                       |             |
| R 1659                                | RAB4C0R0J   | R 1794                                | RAB4C203J   |
| R 1660                                | RAB4C0R0J   | R 1795                                | RAB4C203J   |
| R 1661                                | RAB4C0R0J   | R 1796                                | RAB4C203J   |
|                                       |             | R 1797                                | RAB4C203J   |
|                                       |             | R 1798                                | RAB4C203J   |
| R 1662                                | RAB4C0R0J   |                                       |             |
| R 1663                                | RAB4C0R0J   |                                       |             |
| R 1664                                | RAB4C0R0J   | R 1801                                | RS1/16S153J |
| R 1665                                | RAB4C0R0J   | R 1802                                | RS1/16S102J |
| R 1666                                | RAB4C0R0J   | R 1831                                | RS1/16S134J |
|                                       |             | R 1832                                | RS1/16S102J |
|                                       |             | R 1833                                | RS1/16S102J |
| R 1667                                | RAB4C0R0J   |                                       |             |
| R 1668                                | RAB4C0R0J   |                                       |             |
| R 1669                                | RAB4C0R0J   | R 1834                                | RS1/16S474J |
| R 1670                                | RAB4C0R0J   | R 1835                                | RS1/16S103J |
| R 1702                                | RS1/16S0R0J | R 1836                                | RS1/16S474J |
|                                       |             | R 1837                                | RS1/16S331J |
|                                       |             | R 1838                                | RS1/16S103J |
| R 1703                                | RS1/16S473J |                                       |             |
| R 1706                                | RS1/16S0R0J |                                       |             |
| R 1707                                | RS1/16S220J |                                       |             |
| R 1708                                | RS1/16S220J |                                       |             |
| R 1709                                | RAB4C220J   |                                       |             |

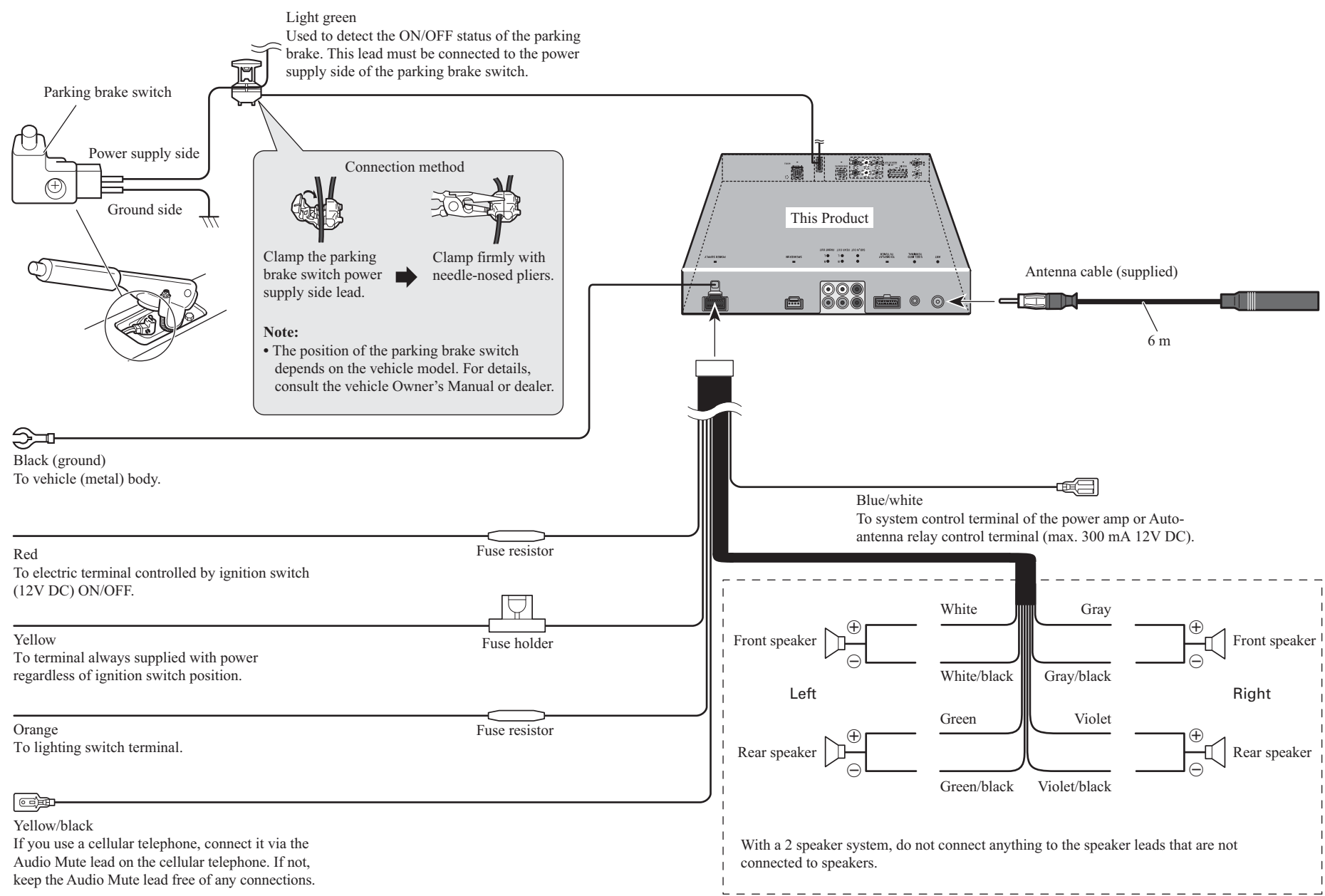
| ====Circuit Symbol & No.====Part Name | Part No.     | ====Circuit Symbol & No.====Part Name | Part No.      |
|---------------------------------------|--------------|---------------------------------------|---------------|
| R 1841                                | RS1/16S103J  | C 1831                                | CCSRCH101J50  |
| R 1842                                | RS1/16S681J  | C 1832                                | CKSRYB222K50  |
| R 1845                                | RS1/16S681J  | C 1833                                | CKSRYB105K6R3 |
| R 1846                                | RS1/16S0R0J  | C 1834                                | CKSRYB105K6R3 |
| R 1848                                | RS1/16S681J  | C 1835                                | CKSRYB102K50  |
| R 1849                                | RS1/16S0R0J  | C 1836                                | CKSRYB222K50  |
| R 1851                                | RS1/16S103J  | C 1837                                | CEV470M6R3    |
| R 1852                                | RS1/16S681J  | C 1841                                | CKSRYB183K25  |
| R 1860                                | RS1/16S0R0J  | C 1842                                | CCSRCH100D50  |
| R 1861                                | RS1/16S0R0J  | C 1843                                | CCSRCH100D50  |
| R 1891                                | RS1/16S332J  | C 1844                                | CCSRCH100D50  |
| R 1892                                | RS1/16S301J  | C 1845                                | CCSRCH471J50  |
| R 1893                                | RS1/16S331J  | C 1847                                | CKSRYB104K16  |
| R 1894                                | RS1/16S101J  | C 1848                                | CKSRYB102K50  |
| R 1895                                | RS1/16S102J  | C 1891                                | CEV220M6R3    |
| R 1896                                | RS1/16S102J  | C 1892                                | CKSRYB104K16  |
| R 1897                                | RS1/16S222J  | C 1893                                | CKSRYB104K16  |
| R 1898                                | RS1/16S102J  | C 1894                                | CKSRYB105K6R3 |
| R 1899                                | RS1/16S102J  | C 1895                                | CKSRYB103K25  |
| R 1900                                | RS1/16S222J  | C 1897                                | CKSRYB104K16  |
| R 1901                                | RS1/16S101J  | C 1898                                | CKSRYB104K16  |
|                                       |              | C 1899                                | CKSRYB104K16  |
|                                       |              | C 1900                                | CEV1R0M50     |
| <b>CAPACITORS</b>                     |              |                                       |               |
| C 1601                                | CKSRYB104K16 |                                       |               |
| C 1602                                | CKSRYB104K16 |                                       |               |
| C 1603                                | CKSRYB104K16 |                                       |               |
| C 1604                                | CKSRYB104K16 |                                       |               |
| C 1605                                | CKSRYB104K16 |                                       |               |
| C 1606                                | CKSRYB104K16 |                                       |               |
| C 1607                                | CKSRYB104K16 |                                       |               |
| C 1608                                | CCSRCH150J50 |                                       |               |
| C 1609                                | CCSRCH150J50 |                                       |               |
| C 1610                                | CEV101M16    |                                       |               |
| C 1611                                | CKSRYB102K50 |                                       |               |
| C 1612                                | CKSYB104K16  |                                       |               |
| C 1613                                | CKSRYB104K16 |                                       |               |
| C 1631                                | CCSRCH101J50 |                                       |               |
| C 1651                                | CEV101M16    |                                       |               |
| C 1652                                | CKSYB104K16  |                                       |               |
| C 1653                                | CEV101M16    |                                       |               |
| C 1654                                | CKSYB104K16  |                                       |               |
| C 1701                                | CKSRYB104K16 |                                       |               |
| C 1702                                | CKSYB104K16  |                                       |               |
| C 1703                                | CCSRCH471J50 |                                       |               |
| C 1704                                | CEV100M16    |                                       |               |
| C 1705                                | CKSYB104K16  |                                       |               |
| C 1706                                | CKSRYB104K16 |                                       |               |
| C 1707                                | CEV101M16    |                                       |               |
| C 1708                                | CKSRYB104K16 |                                       |               |
| C 1709                                | CKSRYB104K16 |                                       |               |
| C 1710                                | CKSRYB104K16 |                                       |               |
| C 1711                                | CKSRYB104K16 |                                       |               |
| C 1712                                | CKSRYB104K16 |                                       |               |
| C 1713                                | CKSRYB104K16 |                                       |               |
| C 1714                                | CKSYB104K16  |                                       |               |
| C 1715                                | CEV100M16    |                                       |               |
| C 1716                                | CKSRYB104K16 |                                       |               |
| C 1717                                | CKSRYB104K16 |                                       |               |
| C 1718                                | CKSRYB104K16 |                                       |               |
| C 1719                                | CCSRCH101J50 |                                       |               |
| C 1751                                | CKSYB104K16  |                                       |               |
| C 1752                                | CEV101M16    |                                       |               |
| C 1753                                | CKSYB104K16  |                                       |               |
| C 1754                                | CEV101M16    |                                       |               |
| C 1781                                | CCSRCH220J50 |                                       |               |
| C 1782                                | CCSRCH220J50 |                                       |               |
| C 1783                                | CCSRCH220J50 |                                       |               |
| C 1825                                | CKSRYB104K16 |                                       |               |

## 6. ADJUSTMENT

### ● Connection Diagram (1)



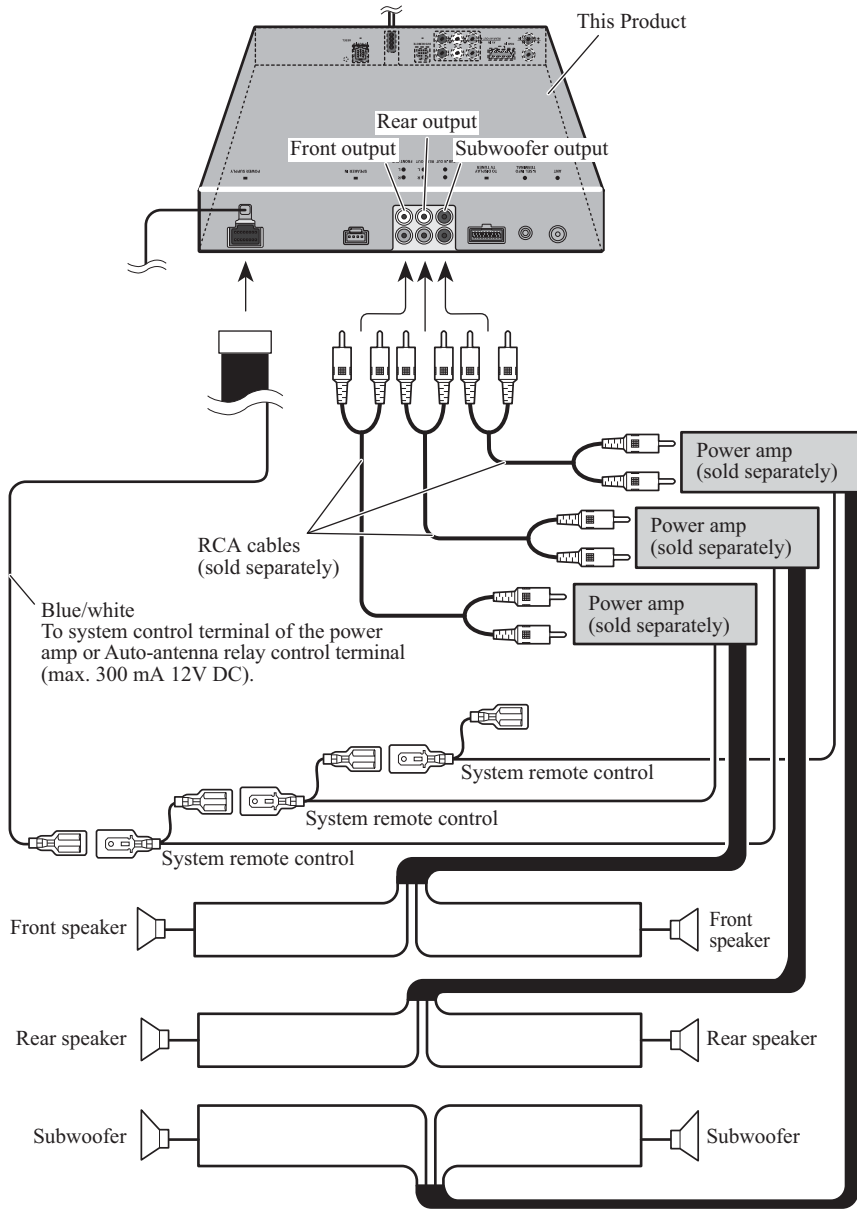
## Connecting the Power Cord



AVM-P8000R,P8000

## Connecting to a Sold Separately Power Amp

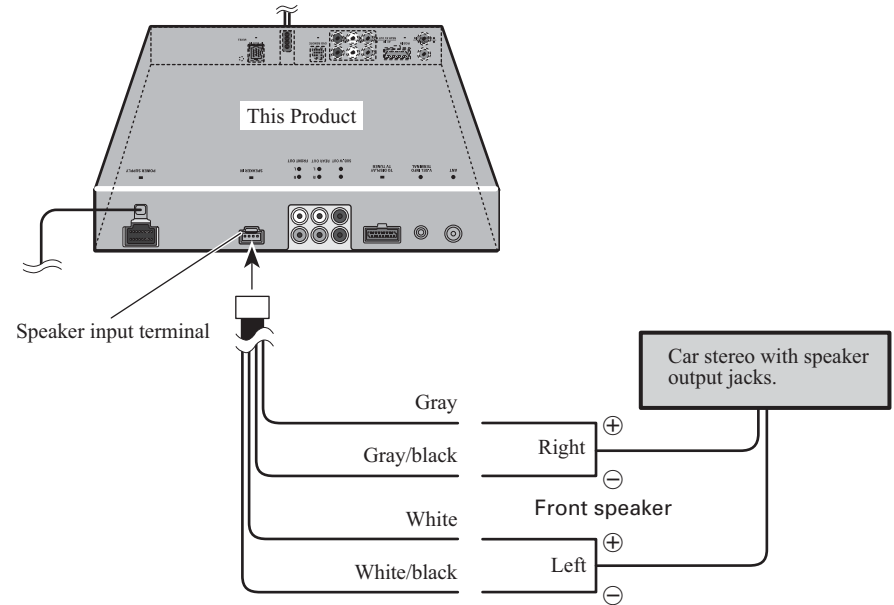
This product can be connected to a sold separately power amp using the RCA output jacks.



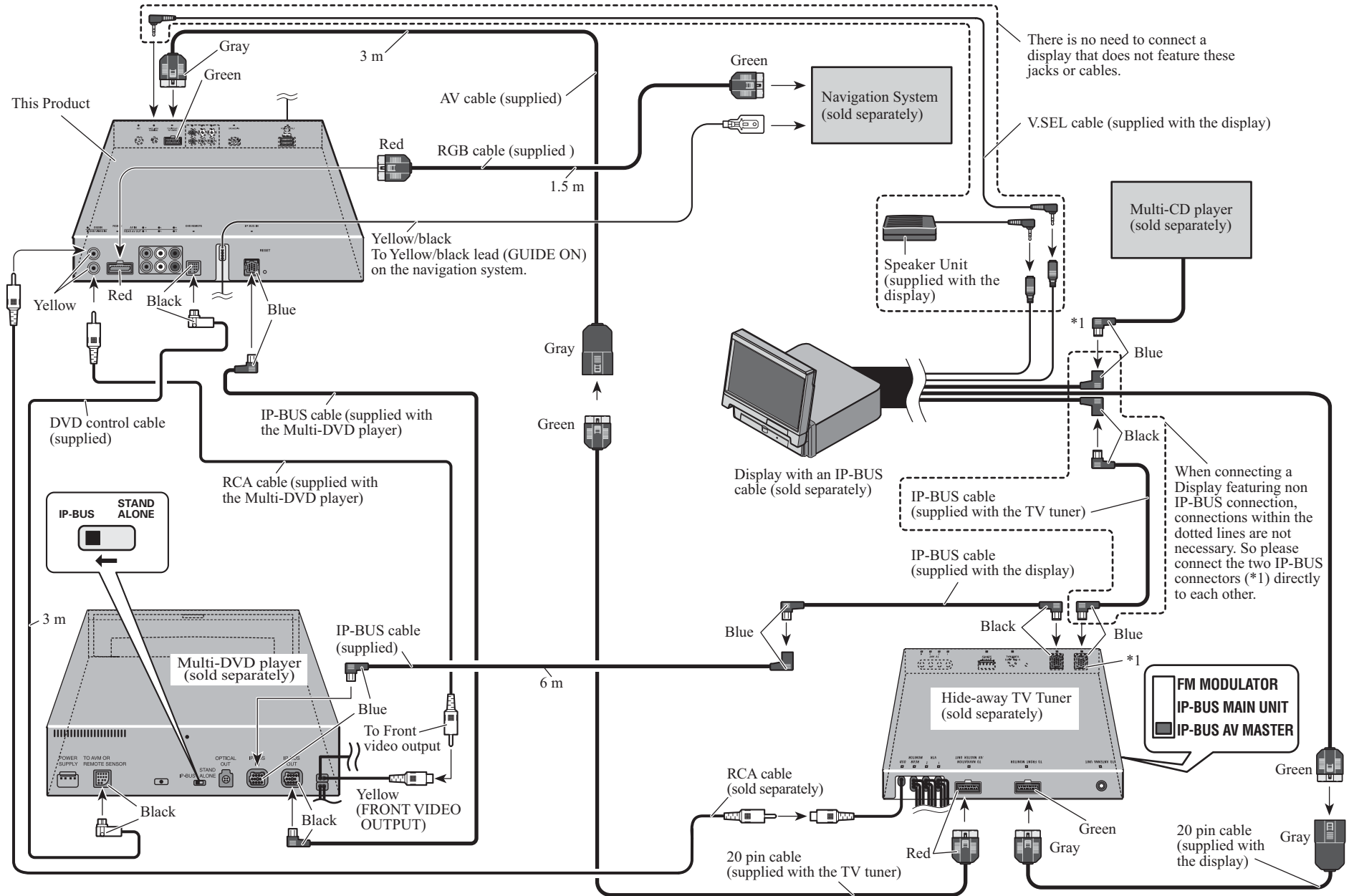
Perform these connections when using a different amp (sold separately).

## Speaker Input Jack Connection

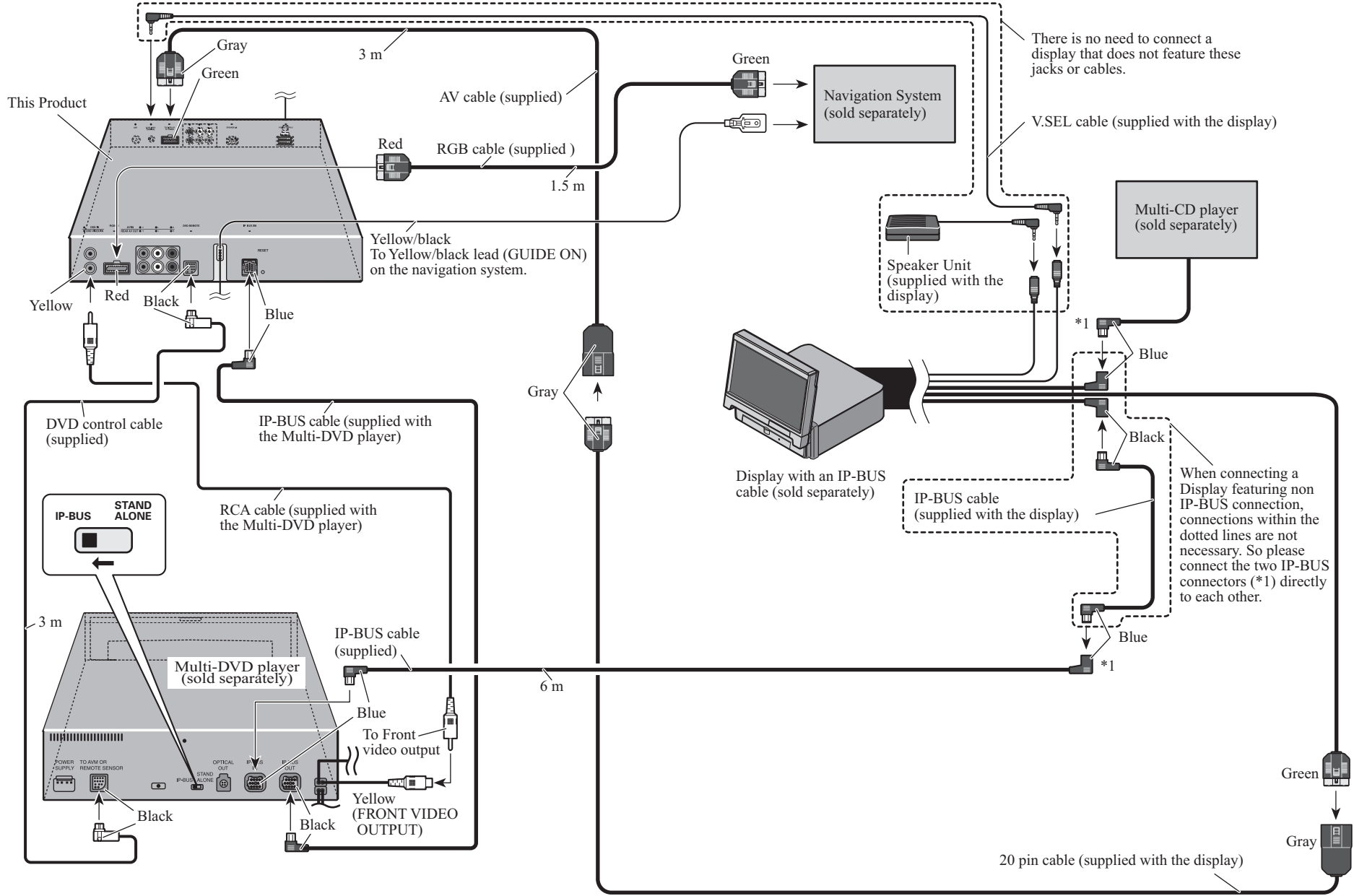
This product also can be connected to a car stereo without RCA output jacks by using the speaker input jack.



## Connecting the System (A)



# Connecting the System (B)



## VIDEO Input/Output Connection

It is possible to use an external video component by connecting it to the AV input on this product.

When connecting the Display with RCA input jacks to Rear AV output, you can also watch the external video component's picture.

