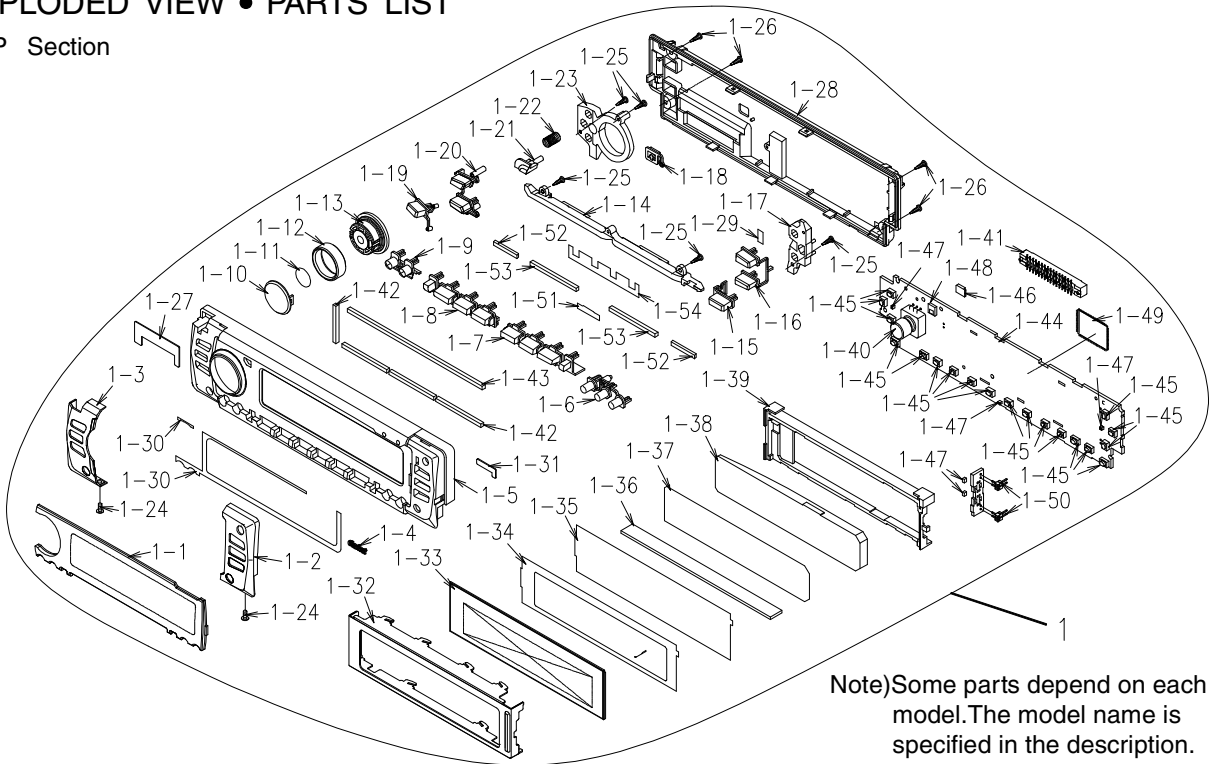


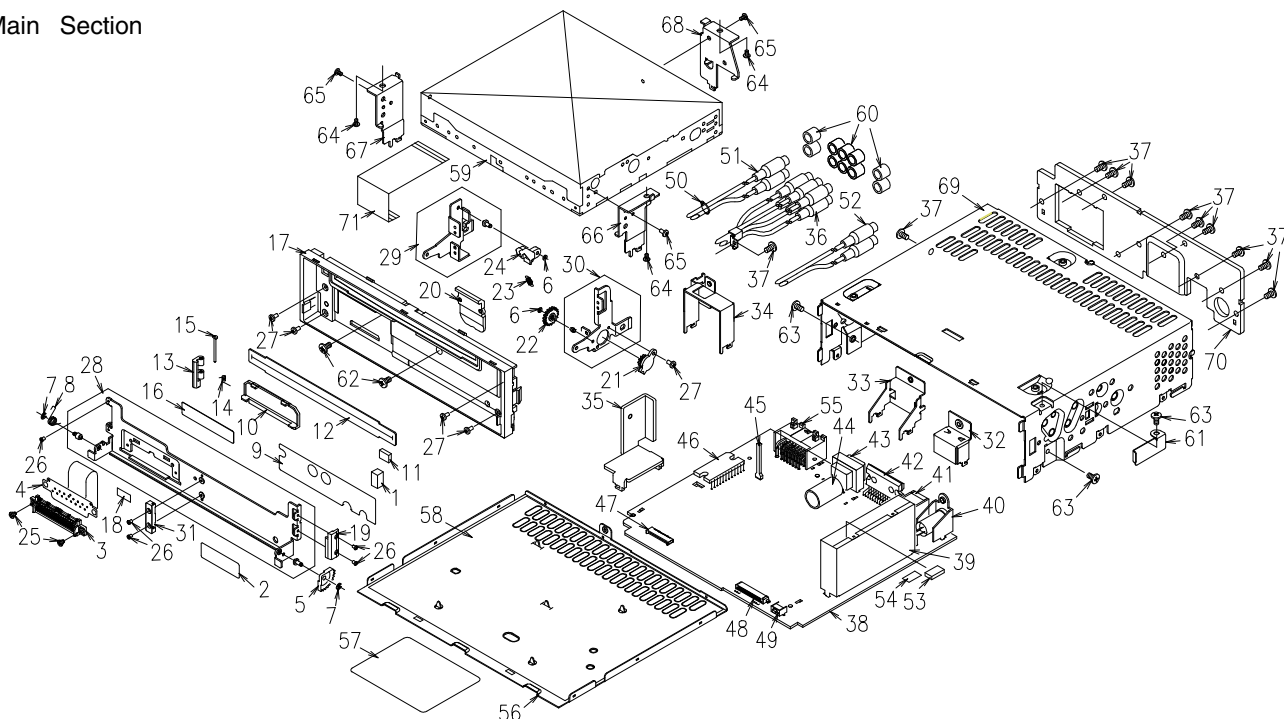
EXPLODED VIEW • PARTS LIST

DCP Section



NO.	PART NO.	DESCRIPTION	Q'TY	NO.	PART NO.	DESCRIPTION	Q'TY
1	DCP-477-600	DCP ASSY(PE-2621B-A)	1	1-23	335-7088-00	ILLUMI PLATE	1
	DCP-488-800	DCP ASSY(PE-2621K-A/B)	1	1-24	778-6019-01	SCREW(M1.7x8) (PE-2621B-A)	2
1-1	373-1019-03	DIAL CVR(PE-2621B-A)	1		778-6019-00	SCREW(M1.7x8) (PE-2621K-A/B)	2
	373-1019-05	DIAL CVR(PE-2621K-A/B)	1	1-25	716-0872-01	PAD SCREW(M1.7x8)	5
1-2	371-5775-03	FACE PANEL(PE-2621B-A)	1	1-26	716-0872-12	PAD SCREW(M1.7x8)	4
	371-5775-06	FACE PANEL (PE-2621K-A/B)	1	1-27	347-7165-00	FILM	1
1-3	371-5776-04	FACE PANEL(PE-2621B-A)	1	1-28	335-6899-00	REAR-CVR	1
	371-5776-03	FACE PANEL (PE-2621K-A/B)	1	1-29	347-7161-00	SHADE	1
1-4	378-0537-00	BADGE	1	1-30	347-7168-00	DOUBLE FACE	1
1-5	370-6079-01	ESCUTCHEON (PE-2621B-A)	1	1-31	347-7164-00	FILM	1
	370-6079-00	ESCUTCHEON (PE-2621K-A/B)	1	1-32	331-3689-00	LCD-CVR	1
1-6	382-6871-01	BUTTON	1	1-33	379-1287-51	INDICATOR(LCD)	1
1-7	382-6842-01	BUTTON(PE-2621B-A)	1	1-34	347-7156-00	FILM	1
	382-6842-02	BUTTON(PE-2621K-A/B)	1	1-35	347-7157-00	FILM	1
1-8	382-6841-01	BUTTON(PE-2621B-A)	1	1-36	345-5421-00	RUBBER CONNECTOR	1
	382-6841-00	BUTTON(PE-2621K-A/B)	1	1-37	347-7158-00	REFLECTOR	1
1-9	382-6870-00	BUTTON	1	1-38	335-7051-00	ILLUMI PLATE	1
1-10	380-5581-00	KNOB	1	1-39	335-7052-00	LCD HOLDER	1
1-11	347-6988-00	DOUBLE FACE	1	1-40	016-9900-85	VR W/SHAFT	1
1-12	345-5364-00	RUBBER RING	1	1-41	076-0647-00	PLUG	1
1-13	380-5582-00	INNER KNOB	1	1-42	347-7167-00	CUSHION	4
1-14	335-7090-00	ILLUMI PLATE	1	1-43	347-7037-00	CUSHION	1
1-15	382-6869-01	BUTTON	1	1-44	-----	SW PWB	1
1-16	382-6847-01	BUTTON	1	1-45	013-6507-50	SWITCH	19
1-17	335-7089-00	BUTTON	1	1-46	013-6511-50	SWITCH	1
1-18	382-6109-00	BUTTON	1	1-47	001-7076-90	DIODE	5
1-19	382-6868-00	BUTTON	1	1-48	060-4017-90	IR-RECEIVE	1
1-20	382-6845-00	BUTTON	1	1-49	051-6073-00	IC	1
1-21	382-6844-01	BUTTON(PE-2621B-A)	1	1-50	076-0708-02	PLUG	2
	382-6844-00	BUTTON(PE-2621K-A/B)	1	1-51	347-7162-00	SHADE	1
1-22	750-6720-00	SPRING	1	1-52	347-7159-00	CUSHION	2
				1-53	345-5307-00	CUSHION	1
				1-54	347-7163-00	SHADE	1

Main Section



NO.	PART NO.	DESCRIPTION	Q'TY	NO.	PART NO.	DESCRIPTION	Q'TY
1	345-5442-00	CUSHION	1	37	714-3006-81	MACHINE SCREW(M3x6)	11
2	291-0092-00	STICKER	1	38	-----	MAIN PWB	1
3	074-1278-01	OUTLET SOKET	1	39	880-2090B	TUNER	1
4	039-1862-01	FPC (WITHOUT COMPONENT)	1	40	092-4000-51	ANT-RECEPT	1
5	613-0684-00	FAN GEAR	1	41	074-1194-00	OUTLET SOCKET	1
6	746-0761-00	WASHER	2	42	051-2052-00	IC	1
7	743-1500-10	E-RING	2	43	009-9006-70	CHOKE	1
8	750-3342-21	SPRING	1	44	042-1447-00	ALUMI-ELE-C	1
9	290-7995-00	LABEL	1	45	321-0969-00	CLAMP	1
10	335-6499-00	CN-CVR	1	46	051-3297-10	IC	1
11	345-5440-00	CUSHION	1	47	074-1318-68	OUTLET SOCKET	1
12	346-0097-00	LEATHER SHEET	1	48	074-1237-70	OUTLET SOCKET	1
13	335-6501-01	HOOK DCP	1	49	013-6103-00	TACT SWITCH	1
14	750-3454-00	SPRING	1	50	335-0833-01	LEAD HOLDER	1
15	341-1764-00	SHAFT	1	51	855-5487-50	RCA-PIN-CORD	1
16	347-7008-00	FPC SUPPORT	1	52	855-5486-50	RCA-PIN-CORD	1
17	370-6025-02	INNER-ES	1	53	345-5312-00	CUSHION	1
18	347-6356-00	DOUBLE FACE	1	54	347-6341-00	E-SHEET	1
19	335-6500-01	HOOK	1	55	074-1214-00	OUTLET SOCKET	1
20	335-6886-00	ILLUMI PLATE	1	56	311-1859-02	LOWER CASE	1
21	613-0730-00	GEAR DAMPER	1	57	286-6346-00	SETPLATE(PE-2621B-A)	1
22	613-0683-00	GEAR	1		286-6380-00	SETPLATE(PE-2621K-A)	1
23	750-3341-00	SPRING	1		286-6381-00	SETPLATE(PE-2621K-B)	1
24	335-6887-00	HOOK LOCK	1	58	347-6880-01	INSULATOR	1
25	716-3444-00	SCREW(M1.7x0.35)	2	59	929-0300-82	CD-MECH-MODULE	1
26	738-1722-17	SCREW(M1.7x2.2)	5	60	345-3799-20	RUBBER PART	10
27	780-2004-01	SCREW(M2x4)	5	61	331-2744-00	STOPPER	1
28	946-0084-00	HOLDER-ASSY	1	62	780-2607-02	SCREW(M2.6x7)	2
29	946-0083-00	ARM-L-ASSY	1	63	731-3006-80	TAPTIGHT(M3x6)	3
30	946-0082-00	ARM-R-ASSY	1	64	714-3004-81	MACHINE SCREW(M3x4)	3
31	335-6502-00	SLIDER	1	65	714-2603-80	MACHINE SCREW(M2.6x3)	3
32	331-3567-00	CONNECTOR-HOLDER	1	66	331-3569-00	MECH-SUB-BRKT	1
33	331-3560-02	IC HOLDER	1	67	331-3570-00	MECH-SUB-BRKT	1
34	331-3561-02	CONNECTOR-HOLDER	1	68	331-3427-00	MECH BRKT	1
35	313-1867-00	HEAT SINK	1	69	303-0485-01	UPPER CASE	1
36	855-5478-50	RCA-PIN-CORD	1	70	313-1866-00	HEAT SINK	1
				71	816-2623-50	FLAT CABLE	1

ELECTRICAL PARTS LIST

Main PWB(B1) section

REF No.	PART No.	DESCRIPTION	REF No.	PART No.	DESCRIPTION	REF No.	PART No.	DESCRIPTION
ANT1	092-4000-51	ANT-RECEPT	C 203	187-1063-35	16V 10uF	C 530	168-1042-78	25V 0.1uF
BL1	880-2090B	TUNER	C 205	187-4763-35	16V 47uF	C 531	189-2273-21	10V 220uF
C 1	166-2201-50	50V 22pF CH	C 206	187-1073-35	16V 100uF	C 532	187-1063-35	16V 10uF
C 2	168-1032-55	50V 0.01uF	C 207	187-1063-35	16V 10uF	C 533	168-1022-55	50V 1000pF
C 3	166-2201-50	50V 22pF CH	C 208	187-2263-35	16V 22uF	C 535	166-2201-50	50V 22pF CH
C 4	166-2096-50	50V 2pF	C 209	187-2263-35	16V 22uF	C 536	166-2201-50	50V 22pF CH
C 5	187-3353-65	50V 3.3uF	C 210	187-2263-35	16V 22uF	C 537	187-2263-35	16V 22uF
C 9	187-4763-35	16V 47uF	C 211	168-1032-55	50V 0.01uF	C 600	168-1032-55	50V 0.01uF
C 10	168-2232-55	25V 0.022uF	C 213	187-1073-35	16V 100uF	C 601	042-0650-00	5.5V 0.1F
C 11	168-1032-55	50V 0.01uF	C 214	187-1073-15	6.3V 100uF	C 603	168-1032-55	50V 0.01uF
C 13	168-2232-55	25V 0.022uF	C 215	187-1063-35	16V 10uF	C 605	042-1577-00	6.3V 100uF
C 16	168-2232-55	25V 0.022uF	C 216	042-1631-50	10V 100uF	C 606	168-1022-55	50V 1000pF
C 17	168-2232-55	25V 0.022uF	C 217	187-4763-35	16V 47uF	C 607	168-1032-55	50V 0.01uF
C 18	168-1022-55	50V 1000pF	C 219	166-1011-50	50V 100pF	C 608	168-1032-55	50V 0.01uF
C 19	166-2701-50	50V 27pF CH	C 220	168-1042-78	25V 0.1uF	C 609	168-4732-78	25V 0.047uF
C 20	166-1201-50	50V 12pF CH	C 300	168-4722-55	50V 4700pF	C 610	166-1011-50	50V 100pF
C 21	168-1022-55	50V 1000pF	C 301	168-4722-55	50V 4700pF	C 612	187-1063-35	16V 10uF
C 24	187-1073-35	16V 100uF	C 302	187-2253-65	35V 2.2uF	C 619	168-1022-55	50V 1000pF
C 25	187-4763-35	16V 47uF	C 303	187-2253-65	50V 2.2uF	D 100	001-0466-90	S5688B
C 29	166-1011-50	50V 100pF	C 306	187-2253-65	50V 2.2uF	D 101	001-0466-90	S5688B
C 30	166-1011-50	50V 100pF	C 307	187-2253-65	50V 2.2uF	D 102	001-0466-90	S5688B
C 32	166-1011-50	50V 100pF	C 308	187-1063-35	16V 10uF	D 103	001-0466-90	S5688B
C 33	166-3311-50	50V 330pF	C 309	187-1063-35	16V 10uF	D 104	001-0466-90	S5688B
C 34	168-1022-55	50V 1000pF	C 310	187-1063-35	16V 10uF	D 105	001-0466-90	S5688B
C 36	187-1053-65	50V 1uF	C 311	187-1063-35	16V 10uF	D 106	001-0466-90	S5688B
C 40	168-1832-55	25V 0.018uF	C 312	168-4732-78	25V 0.047uF	D 107	001-0466-90	S5688B
C 41	187-4763-15	6.3V 47uF	C 313	168-4732-78	25V 0.047uF	D 201	001-0592-61	1N5404
C 43	168-1032-55	50V 0.01uF	C 314	187-1053-65	50V 1uF	D 202	001-1310-00	KDS160
C 47	168-2732-55	25V 0.027uF	C 450	187-2263-35	16V 22uF	D 203	001-0466-90	S5688B
C 48	168-2732-55	25V 0.027uF	C 451	187-2263-35	16V 22uF	D 204	001-1310-00	KDS160
C 52	168-1032-55	50V 0.01uF	C 452	187-2263-35	16V 22uF	D 205	001-1310-00	KDS160
C 53	168-1032-55	50V 0.01uF	C 453	187-2263-35	16V 22uF	D 206	001-1310-00	KDS160
C 100	187-2263-35	16V 22uF	C 454	187-2263-35	16V 22uF	D 207	001-1310-00	KDS160
C 101	187-2263-35	16V 22uF	C 455	187-2263-35	16V 22uF	D 208	001-0347-32	MA4056M
C 102	187-2263-35	16V 22uF	C 456	187-2263-35	16V 22uF	D 209	001-0466-91	S5688G
C 103	187-2263-35	16V 22uF	C 457	187-2263-35	16V 22uF	D 210	001-0466-91	S5688G
C 104	172-1041-15	50V 0.1uF	C 458	187-2263-35	16V 22uF	D 211	001-0466-91	S5688G
C 105	178-2242-78	25V 0.22uF	C 459	187-2263-35	16V 22uF	D 213	001-0504-45	HZS9B1L
C 106	178-2242-78	25V 0.22uF	C 460	187-2263-35	16V 22uF	D 214	001-1310-00	KDS160
C 107	178-2242-78	25V 0.22uF	C 461	187-2263-35	16V 22uF	D 500	001-1310-00	KDS160
C 108	178-2242-78	25V 0.22uF	C 462	168-5612-55	50V 560pF	D 501	001-1310-00	KDS160
C 109	172-1041-15	50V 0.1uF	C 463	168-5612-55	50V 560pF	D 502	001-1310-00	KDS160
C 110	172-1041-15	50V 0.1uF	C 464	168-5612-55	50V 560pF	D 503	001-1310-00	KDS160
C 111	172-1041-15	50V 0.1uF	C 465	168-5612-55	50V 560pF	D 504	001-0529-43	MA8082L
C 112	187-4763-35	16V 47uF	C 500	187-2253-65	50V 2.2uF	D 505	001-0529-23	MA8043M
C 113	187-2263-35	16V 22uF	C 501	187-2253-65	50V 2.2uF	D 600	001-1310-00	KDS160
C 114	172-1041-15	50V 0.1uF	C 502	187-2253-65	50V 2.2uF	D 602	001-7062-90	RBR1111C
C 115	172-1041-15	50V 0.1uF	C 505	187-2253-65	50V 2.2uF	IC 2	051-6212-08	LC72191JM
C 116	172-1041-15	50V 0.1uF	C 506	187-2253-65	50V 2.2uF	IC 101	051-2052-00	LA47534
C 117	187-3353-65	50V 3.3uF	C 507	187-2253-65	50V 2.2uF	IC 200	051-3297-10	BA4916-V 2
C 118	172-1041-15	50V 0.1uF	C 508	187-1063-35	16V 10uF	IC 302	051-0350-93	NJM4558M
C 123	166-4711-50	50V 470pF	C 509	187-1073-35	16V 100uF	IC 501	051-5030-90	M61523FP
C 124	166-4711-50	50V 470pF	C 510	168-1042-78	25V 0.1uF	IC 504	051-5834-90	UPC5701-028
C 125	166-4711-50	50V 470pF	C 512	166-2201-50	50V 22pF CH	IC 600	052-3936-01	M30622MGP-124GP
C 126	166-4711-50	50V 470pF	C 513	166-2201-50	50V 22pF CH	IC 601	051-5437-08	S-80821ANMP
C 127	166-4711-50	50V 470pF	C 516	166-2201-50	50V 22pF CH	IC 602	051-6600-58	HA12187FP
C 128	166-4711-50	50V 470pF	C 517	166-2201-50	50V 22pF CH	IC 603	051-5443-08	BD4850G
C 129	166-4711-50	50V 470pF	C 518	166-2201-50	50V 22pF CH	J 201	074-1214-00	SMK16P
C 130	166-4711-50	50V 470pF	C 519	166-2201-50	50V 22pF CH	J 600	074-1194-00	OUTLET
C 132	166-1011-50	50V 100pF	C 521	187-1063-35	16V 10uF	J 601	074-1318-68	OUTLET
C 133	166-1011-50	50V 100pF	C 522	187-1063-35	16V 10uF	J 900	074-1237-70	OUTLET
C 134	166-1011-50	50V 100pF	C 523	168-1042-78	25V 0.1uF	L 1	010-2003-04	COIL
C 135	166-1011-50	50V 100pF	C 524	168-1042-78	25V 0.1uF	L 2	010-2230-88	220uH
C 200	172-2231-15	50V 0.022uF	C 527	168-1042-78	25V 0.1uF	L 200	010-2230-64	2.2uH
C 201	042-1447-00	16V 2200uF	C 529	168-1042-78	25V 0.1uF	L 401	010-2230-76	22uH

REF No.	PART No.	DESCRIPTION	REF No.	PART No.	DESCRIPTION	REF No.	PART No.	DESCRIPTION
L 501	010-3105-62	COIL	R 17	119-5631-15	1/16W 56Kohm	R 452	119-2231-15	1/16W 22Kohm
L 502	010-3105-62	COIL	R 21	119-8201-15	1/16W 82ohm	R 453	119-2231-15	1/16W 22Kohm
L 503	010-3105-62	COIL	R 25	119-1041-15	1/16W 100Kohm	R 454	119-2231-15	1/16W 22Kohm
L 504	010-3105-62	COIL	R 26	119-3331-15	1/16W 33Kohm	R 455	119-2231-15	1/16W 22Kohm
L 602	010-3100-66	2.2uH	R 27	119-0000-05	JW	R 456	119-2231-15	1/16W 22Kohm
L 603	010-3100-66	2.2uH	R 28	119-1021-15	1/16W 1Kohm	R 457	119-2231-15	1/16W 22Kohm
L 604	010-3100-66	2.2uH	R 30	119-1021-15	1/16W 1Kohm	R 458	119-3311-15	1/16W 330ohm
L 605	010-3100-66	2.2uH	R 31	119-1021-15	1/16W 1Kohm	R 459	119-3311-15	1/16W 330ohm
L 606	010-3100-66	2.2uH	R 32	119-1521-15	1/16W 1.5Kohm	R 460	119-3311-15	1/16W 330ohm
L 607	010-3100-66	2.2uH	R 33	119-1031-15	1/16W 10Kohm	R 461	119-3311-15	1/16W 330ohm
Q 1	192-2712-51	2SC2712GR	R 34	119-1031-15	1/16W 10Kohm	R 462	119-3311-15	1/16W 330ohm
Q 2	192-2712-51	2SC2712GR	R 35	119-0000-05	JW	R 463	119-3311-15	1/16W 330ohm
Q 4	125-2199-93	KRC103S	R 36	119-1031-15	1/16W 10Kohm	R 464	119-3311-15	1/16W 330ohm
Q 7	125-3004-90	KTA1504S	R 37	119-1521-15	1/16W 1.5Kohm	R 465	119-3311-15	1/16W 330ohm
Q 8	125-3004-90	KTA1504S	R 100	119-1231-15	1/16W 12Kohm	R 466	119-1021-15	1/16W 1Kohm
Q 200	125-4011-90	KTD863	R 101	119-2291-15	1/16W 2.2ohm	R 467	119-1021-15	1/16W 1Kohm
Q 201	125-2199-96	KRC106S	R 102	119-2291-15	1/16W 2.2ohm	R 468	119-1021-15	1/16W 1Kohm
Q 202	125-3007-90	KTA1298	R 103	119-2291-15	1/16W 2.2ohm	R 469	119-1021-15	1/16W 1Kohm
Q 203	125-4010-90	KTC3875S	R 104	119-2291-15	1/16W 2.2ohm	R 470	119-2231-15	1/16W 22Kohm
Q 204	125-3004-90	KTA1504S	R 105	119-2291-15	1/16W 2.2ohm	R 471	119-2231-15	1/16W 22Kohm
Q 205	193-1858-50	2SD1858	R 106	119-1031-15	1/16W 10Kohm	R 472	119-3311-15	1/16W 330ohm
Q 206	193-1858-50	2SD1858	R 107	119-2291-15	1/16W 2.2ohm	R 473	119-3311-15	1/16W 330ohm
Q 207	125-2199-93	KRC103S	R 108	119-2291-15	1/16W 2.2ohm	R 474	119-1021-15	1/16W 1Kohm
Q 208	125-0199-92	KRA102S	R 109	119-2291-15	1/16W 2.2ohm	R 475	119-1021-15	1/16W 1Kohm
Q 211	125-2199-96	KRC106S	R 110	119-1021-15	1/16W 1Kohm	R 482	119-2231-15	1/16W 22Kohm
Q 213	125-2199-93	KRC103S	R 111	119-1021-15	1/16W 1Kohm	R 483	119-2231-15	1/16W 22Kohm
Q 214	125-3004-90	KTA1504S	R 112	119-1021-15	1/16W 1Kohm	R 484	119-3311-15	1/16W 330ohm
Q 215	125-4014-90	KTC2020D	R 113	119-1021-15	1/16W 1Kohm	R 485	119-3311-15	1/16W 330ohm
Q 216	125-2199-93	KRC103S	R 200	119-1231-15	1/16W 12Kohm	R 486	119-1021-15	1/16W 1Kohm
Q 217	125-3005-90	KTA1273	R 201	119-8231-15	1/16W 82Kohm	R 500	119-1021-15	1/16W 1Kohm
Q 218	125-2199-93	KRC103S	R 202	119-3321-15	1/16W 3.3Kohm	R 501	119-1021-15	1/16W 1Kohm
Q 219	125-3005-90	KTA1273	R 203	119-3311-15	1/16W 330ohm	R 502	119-1021-15	1/16W 1Kohm
Q 220	125-0199-96	KRA106S	R 204	119-1831-15	1/16W 18Kohm	R 503	119-1021-15	1/16W 1Kohm
Q 450	193-1306-00	2SD1306	R 205	119-1031-15	1/16W 10Kohm	R 504	119-4721-15	1/16W 4.7Kohm
Q 451	193-1306-00	2SD1306	R 206	119-1031-15	1/16W 10Kohm	R 505	119-4721-15	1/16W 4.7Kohm
Q 452	193-1306-00	2SD1306	R 207	119-1021-15	1/16W 1Kohm	R 507	119-4711-15	1/16W 470ohm
Q 453	193-1306-00	2SD1306	R 208	119-4731-15	1/16W 47Kohm	R 508	119-4711-15	1/16W 470ohm
Q 454	193-1306-00	2SD1306	R 209	119-1531-15	1/16W 15Kohm	R 509	119-4711-15	1/16W 470ohm
Q 455	193-1306-00	2SD1306	R 210	119-1031-15	1/16W 10Kohm	R 510	119-4711-15	1/16W 470ohm
Q 456	193-1306-00	2SD1306	R 211	119-4731-15	1/16W 47Kohm	R 511	119-4711-15	1/16W 470ohm
Q 457	193-1306-00	2SD1306	R 212	119-2221-15	1/16W 2.2Kohm	R 512	119-4711-15	1/16W 470ohm
Q 458	193-1306-00	2SD1306	R 213	116-2291-15	1/4WS 2.2ohm	R 522	119-1021-15	1/16W 1Kohm
Q 459	193-1306-00	2SD1306	R 214	116-2291-15	1/4WS 2.2ohm	R 523	119-8221-15	1/16W 8.2Kohm
Q 460	193-1306-00	2SD1306	R 215	116-1511-15	1/4WS 150ohm	R 524	119-2231-15	1/16W 22Kohm
Q 461	193-1306-00	2SD1306	R 218	116-3911-15	1/4W 390ohm	R 526	119-1021-15	1/16W 1Kohm
Q 502	125-4010-90	KTC3875S	R 220	119-3321-15	1/16W 3.3Kohm	R 530	119-3931-15	1/16W 39Kohm
Q 503	125-2199-96	KRC106S	R 221	119-1031-15	1/16W 10Kohm	R 531	119-8221-15	1/16W 8.2Kohm
Q 504	125-0199-96	KRA106S	R 222	119-2221-15	1/16W 2.2Kohm	R 532	119-1021-15	1/16W 1Kohm
Q 505	125-0199-96	KRA106S	R 225	119-1031-15	1/16W 10Kohm	R 533	119-0000-05	JW
Q 506	125-0199-96	KRA106S	R 226	116-1221-15	1/4WS 1.2Kohm	R 540	119-1831-15	1/16W 18Kohm
Q 508	125-2199-96	KRC106S	R 227	119-1031-15	1/16W 10Kohm	R 541	119-1831-15	1/16W 18Kohm
Q 509	125-2199-93	KRC103S	R 228	116-1221-15	1/4WS 1.2Kohm	R 542	119-1021-15	1/16W 1Kohm
Q 510	125-0199-96	KRA106S	R 229	116-1521-15	1/4WS 1.5Kohm	R 543	119-8221-15	1/16W 8.2Kohm
Q 511	125-0199-96	KRA106S	R 308	032-0140-89	1/10W 470KohmF	R 544	119-3311-15	1/16W 330ohm
Q 512	125-0199-96	KRA106S	R 309	032-0140-89	1/10W 470KohmF	R 600	119-3321-15	1/16W 3.3Kohm
Q 514	125-2199-96	KRC106S	R 310	032-0140-89	1/10W 470KohmF	R 601	119-4731-15	1/16W 47Kohm
Q 515	125-2199-93	KRC103S	R 311	032-0140-89	1/10W 470KohmF	R 602	119-4721-15	1/16W 4.7Kohm
Q 601	125-2199-93	KRC103S	R 312	032-0140-89	1/10W 470KohmF	R 603	116-6801-15	1/4WS 68ohm
Q 602	125-2199-93	KRC103S	R 313	032-0140-89	1/10W 470KohmF	R 604	119-1031-15	1/16W 10Kohm
Q 603	125-3004-90	KTA1504S	R 314	032-0140-89	1/10W 470KohmF	R 605	119-1031-15	1/16W 10Kohm
R 1	119-2221-15	1/16W 2.2Kohm	R 315	032-0140-89	1/10W 470KohmF	R 606	119-5621-15	1/16W 5.6Kohm
R 2	119-1021-15	1/16W 1Kohm	R 316	119-1041-15	1/16W 100Kohm	R 609	119-0000-05	JW(PE-2621B-A)
R 3	119-1021-15	1/16W 1Kohm	R 317	119-1021-15	1/16W 1Kohm	R 610	119-0000-05	JW(PE-2621K-A/B)
R 4	119-1031-15	1/16W 10Kohm	R 318	119-1021-15	1/16W 1Kohm	R 615	119-4721-15	1/16W 4.7Kohm
R 9	119-1021-15	1/16W 1Kohm	R 319	119-1041-15	1/16W 100Kohm	R 616	119-4721-15	1/16W 4.7Kohm
R 14	119-4741-15	1/16W 470Kohm	R 320	119-8221-15	1/16W 8.2Kohm	R 617	119-4721-15	1/16W 4.7Kohm
R 15	119-1021-15	1/16W 1Kohm	R 450	119-2231-15	1/16W 22Kohm	R 622	119-2231-15	1/16W 22Kohm
R 16	119-1231-15	1/16W 12Kohm	R 451	119-2231-15	1/16W 22Kohm	R 626	119-1011-15	1/16W 100ohm

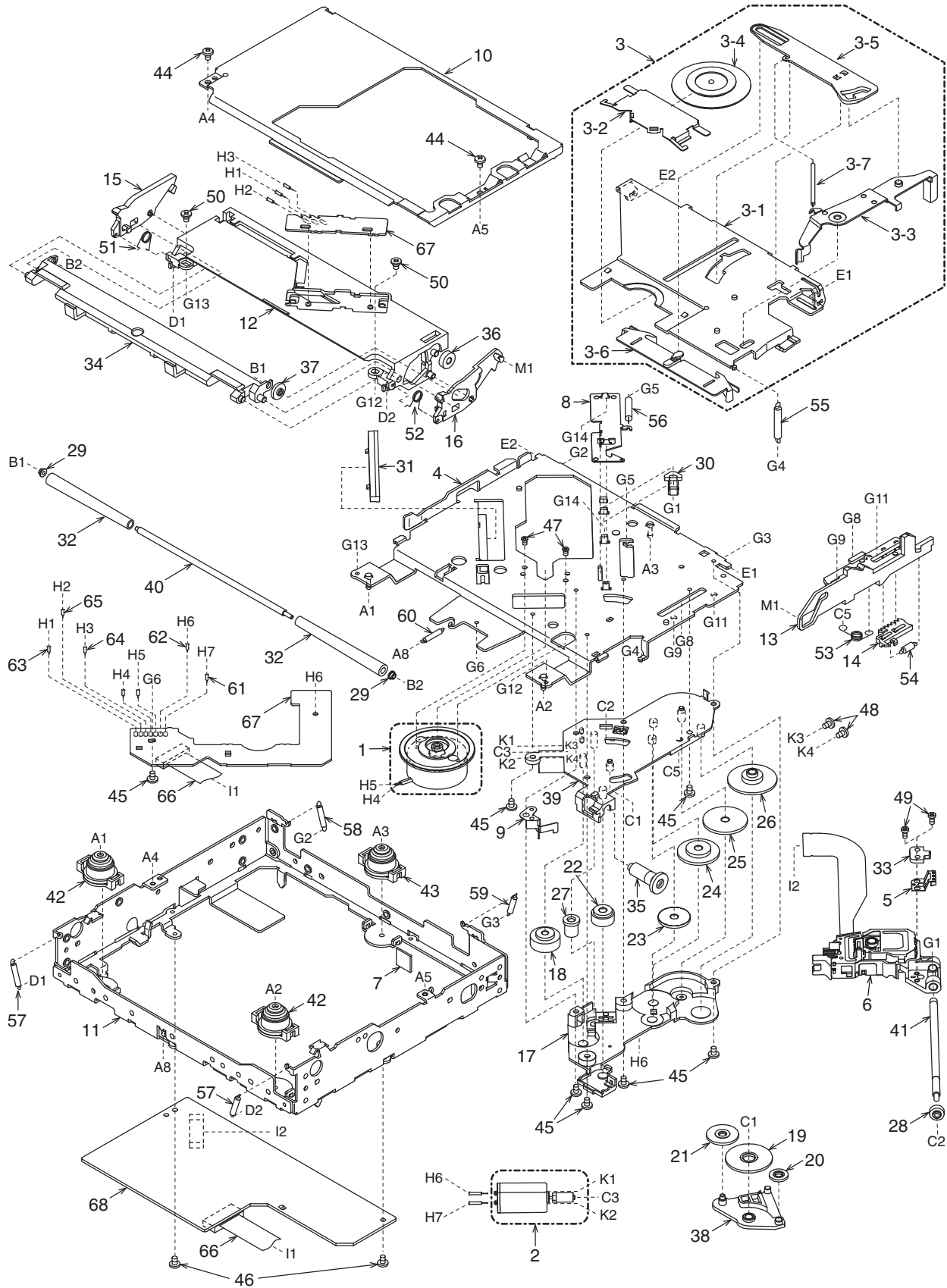
REF No.	PART No.	DESCRIPTION	REF No.	PART No.	DESCRIPTION	REF No.	PART No.	DESCRIPTION
R 627	119-1811-15	1/16W 180ohm	R 634	119-2221-15	1/16W 2.2Kohm	X 1	061-9013-00	7.2MHZ
R 628	119-1811-15	1/16W 180ohm	R 635	119-1041-15	1/16W 100Kohm	X 601	060-1533-90	10MHZ
R 629	119-1811-15	1/16W 180ohm	R 636	119-0000-05	JW	PWB	039-2452-01	PWB(WITHOUT COMPONENTS)
R 631	119-2711-15	1/16W 270ohm	S 600	013-6103-00	SW ITCH			
R 632	119-1031-15	1/16W 10Kohm	SUP1	060-0122-91	DSP-141N-SOOB			
R 633	119-2221-15	1/16W 2.2Kohm	T 201	009-9006-70	CHOKE			

Switch PWB(B2) section

REF No.	PART No.	DESCRIPTION	REF No.	PART No.	DESCRIPTION	REF No.	PART No.	DESCRIPTION
IC 701	051-6073-00	NJU6538	R 702	119-1021-15	1/16W 1Kohm	R 764	119-1031-15	1/16W 10Kohm
LCD701	379-1287-51	INDICATOR(LCD)	R 703	119-1041-15	1/16W 100Kohm	R 765	119-6811-15	1/16W 680ohm
C 702	168-1042-78	25V 0.1uF	R 704	119-3921-15	1/16W 3.9Kohm	R 768	119-4711-15	1/16W 470ohm
C 703	168-1042-78	25V 0.1uF	R 710	119-1031-15	1/16W 10Kohm	R 773	119-8211-15	1/16W 820ohm
C 704	168-1042-78	25V 0.1uF	R 711	119-1031-15	1/16W 10Kohm	R 790	119-4711-15	1/16W 470ohm
C 705	168-1042-78	25V 0.1uF	R 713	119-1031-15	1/16W 10Kohm	R 791	119-5611-15	1/16W 560ohm
C 706	042-0423-97	16V 10uF	R 714	119-1241-15	1/16W 120Kohm	S 701	013-6507-50	LUMI SWITCH
C 707	042-0423-97	16V 10uF	R 715	119-1031-15	1/16W 10Kohm	S 702	013-6507-50	LUMI SWITCH
C 710	042-0423-97	16V 10uF	R 716	119-1031-15	1/16W 10Kohm	S 703	013-6507-50	LUMI SWITCH
C 713	168-1042-78	25V 0.1uF	R 717	119-1031-15	1/16W 10Kohm	S 704	013-6507-50	LUMI SWITCH
C 714	168-1042-78	25V 0.1uF	R 718	119-1031-15	1/16W 10Kohm	S 705	013-6507-50	LUMI SWITCH
C 719	168-1042-78	25V 0.1uF	R 719	119-1031-15	1/16W 10Kohm	S 706	013-6507-50	LUMI SWITCH
D 701	001-0529-29	MA8051M	R 720	119-3311-15	1/16W 330ohm	S 707	013-6507-50	LUMI SWITCH
D 703	001-0529-41	MA8075M	R 721	119-1031-15	1/16W 10Kohm	S 708	013-6507-50	LUMI SWITCH
D 704	001-0529-41	MA8075M	R 722	119-3311-15	1/16W 330ohm	S 709	013-6507-50	LUMI SWITCH
D 705	001-0529-41	MA8075M	R 723	119-1031-15	1/16W 10Kohm	S 710	013-6507-50	LUMI SWITCH
D 706	001-7076-90	DIODE	R 724	119-1511-15	1/16W 150ohm	S 711	013-6507-50	LUMI SWITCH
D 708	001-7076-90	DIODE	R 730	119-4721-15	1/16W 4.7Kohm	S 712	013-6507-50	LUMI SWITCH
D 709	001-7076-90	DIODE	R 740	119-4711-15	1/16W 470ohm	S 713	013-6507-50	LUMI SWITCH
D 713	001-0529-34	MA8062L	R 741	119-4711-15	1/16W 470ohm	S 714	013-6507-50	LUMI SWITCH
D 715	001-7076-90	DIODE	R 742	119-4711-15	1/16W 470ohm	S 715	013-6507-50	LUMI SWITCH
D 716	001-7076-90	DIODE	R 751	119-3311-15	1/16W 330ohm	S 716	013-6507-50	LUMI SWITCH
D 721	001-0529-34	MA8062L	R 752	119-5611-15	1/16W 560ohm	S 717	013-6507-50	LUMI SWITCH
Q 702	125-4012-90	KTD1304	R 753	119-4711-15	1/16W 470ohm	S 718	013-6507-50	LUMI SWITCH
Q 703	125-4012-90	KTD1304	R 754	119-5611-15	1/16W 560ohm	S 721	013-6507-50	LUMI SWITCH
Q 705	125-3004-90	KTA1504S	R 756	119-8211-15	1/16W 820ohm	S 722	013-6511-50	LUMI SWITCH
Q 706	125-4012-90	KTD1304	R 758	119-8211-15	1/16W 820ohm	S 723	016-9900-85	ENCODER-SW
Q 708	125-0199-93	KRA103S	R 759	119-8211-15	1/16W 820ohm	P 701	076-0647-00	PLUG
Q 709	125-2199-93	KRC103S	R 760	119-2711-15	1/16W 270ohm	IR 701	060-4017-90	RS-671
Q 710	125-3007-90	KTA1298	R 761	119-2711-15	1/16W 270ohm	PWB	039-2454-00	PWB(WITHOUT COMPONENTS)
Q 711	125-4012-90	KTD1304	R 762	119-1031-15	1/16W 10Kohm			
R 701	119-1011-15	1/16W 100ohm	R 763	119-1021-15	1/16W 1Kohm			

EXPLODED VIEW / PARTS LIST

CD mechanism section: 929-0300-82



NO.	PART NO.	DESCRIPTION	Q'TY	NO.	PART NO.	DESCRIPTION	Q'TY
1	SMA-182-100	SPD-MOTOR-ASSY	1	32	621-0629-20	LOADING ROLLER	2
2	SMA-183-100	POW-MOTOR-ASSY	1	33	621-0709-20	SH-BASE	1
3	HBS-524-100	CLAMP-SUB-ASSY	1	34	621-0718-21	ROLLER GUIDE	1
3-1	620-1022-25	CLAMPER LINK	1	35	621-0719-20	ROLLER GEAR	1
3-2	620-1023-23	CLAMPER PLATE	1	36	621-0720-20	ROLLER GEAR C	1
3-3	620-1024-23	SENSOR ARM	1	37	621-0721-20	ROLLER GEAR D	1
3-4	621-0626-21	STOPPER LINK	1	38	621-0723-20	IDLE CASE	1
3-5	621-0627-21	DISC STOPPER	1	39	621-0724-21	GEAR BASE	1
3-6	621-0708-20	CLAMPER RING	1	40	622-1660-20	ROLLER SHAFT	1
3-7	750-3471-20	SENSOR SPRING	1	41	624-0018-01	LEAD SCREW	1
4	966-0595-25	DRIVE-PLT-ASSY	1	42	629-0086-20	DAMPER F	2
5	966-0638-20	SH-RACK-ASSY	1	43	629-0087-20	DAMPER R	1
6	969-0065-31	PICK UP-ASSY	1	44	714-2003-81	MACHINE SCREW(M2x3)	2
7	345-8704-20	CUSHION RUBBER	1	45	716-1507-00	SCREW(M2x3)	7
8	620-1025-22	ID-LOCK PLATE	1	46	716-1670-00	SCREW(M2x4)	2
9	620-1026-21	SPRING PLATE	1	47	716-1733-00	SCREW(M1.7x2.3)	2
10	620-1028-23	UPPER CHASSIS	1	48	716-3446-00	SCREW(M4.1x2.5)	2
11	620-1585-21	LOWER SHASSIS-W	1	49	716-3469-00	SCREW(phi1.7x4)	2
12	621-0598-27	UPPER GUIDE	1	50	716-3473-00	SCREW(M2x3)	2
13	621-0600-26	SHIFT LEVER	1	51	750-3465-21	ROLLER SPRING L	1
14	621-0601-21	RACK	1	52	750-3466-20	ROLLER SPRING R	1
15	621-0602-22	LOCK ARM L	1	53	750-3467-21	SHIFT SPRING	1
16	621-0603-25	LOCK ARM R	1	54	750-3468-20	RACK SPRING	1
17	621-0605-22	GEAR COVER	1	55	750-3469-20	CLAMPER SPRING	1
18	621-0608-21	SECOND GEAR	1	56	750-3470-20	ID-LOCK SPRING	1
19	621-0609-20	BASE GEAR	1	57	750-3472-21	DR-SPRING F	2
20	621-0610-20	IDLE GEAR A	1	58	750-3473-20	DR-SPRING RA	1
21	621-0611-20	IDLE GEAR B	1	59	750-3474-20	DR-SPRING RB	1
22	621-0612-21	ROLLER GEAR A	1	60	750-3475-21	DR-SPRING C	1
23	621-0616-20	POWER GEAR A	1	61	803-4906-60	VINYL-COAT-WIRE(ORANGE)	1
24	621-0617-20	POWER GEAR B	1	62	816-2590-00	EXTENSION LEAD(GREEN)	1
25	621-0618-20	POWER GEAR C	1	63	816-2591-00	EXTENSION LEAD(YELLOW)	1
26	621-0619-20	POWER GEAR D	1	64	816-2592-00	EXTENSION LEAD(BLUE)	1
27	621-0620-20	THREAD GEAR A	1	65	816-2593-00	EXTENSION LEAD(PURPLE)	1
28	621-0621-20	THREAD GEAR B	1	66	816-2624-50	FLAT WIRE	1
29	621-0622-21	ROLLER SLEEVE	2	67	-----	LED PWB	1
30	621-0623-23	LS-HOLDER	1	68	-----	CD PWB	1
31	621-0624-22	GUIDE RAIL	1				

ELECTRICAL PARTS LIST

CD PWB(B3) section

REF No.	PART No.	DESCRIPTION	REF No.	PART No.	DESCRIPTION	REF No.	PART No.	DESCRIPTION
C1	168-1042-78	16V 0.1uF	C132	168-1042-78	16V 0.1uF	R4	033-1031-15	1/16W 10k ohm
C4	168-1042-78	16V 0.1uF	C133	046-1532-78	0.015uF	R5	033-2231-15	1/16W 22k ohm
C5	046-1032-78	0.01uF	C134	168-1042-78	16V 0.1uF	R6	033-3911-15	1/16W 390 ohm
C6	168-1042-78	16V 0.1uF	C135	045-6801-50	50V 68pF	R7	033-4731-15	1/16W 47k ohm
C7	178-1052-78	1uF	C136	178-1052-78	1uF	R8	033-1051-15	1/16W 1M ohm
C8	168-1042-78	16V 0.1uF	C138	168-1042-78	16V 0.1uF	R9	033-3311-15	1/16W 330 ohm
C9	046-4722-58	4700pF	C139	168-1042-78	16V 0.1uF	R11	033-1011-15	1/16W 100 ohm
C10	045-1011-50	100pF	C140	046-6812-58	680pF	R12	033-4731-15	1/16W 47k ohm
C11	168-1042-78	16V 0.1uF	C142	178-1052-78	1uF	R13	033-1041-15	1/16W 100k ohm
C13	168-1042-78	16V 0.1uF	C144	042-0560-85	6.3V 100uF	R14	033-4721-15	1/16W 4.7k ohm
C16	168-1042-78	16V 0.1uF	C145	168-1042-78	16V 0.1uF	R15	033-4721-15	1/16W 4.7k ohm
C17	046-1032-78	0.01uF	C146	168-1042-78	16V 0.1uF	R19	033-4731-15	1/16W 47k ohm
C18	178-1052-78	1uF	C147	178-1052-78	1uF	R20	033-4731-15	1/16W 47k ohm
C19	046-1032-78	0.01uF	C148	042-0595-53	4V220uF	R23	033-3311-15	1/16W 330 ohm
C20	168-1042-78	16V 0.1uF	C149	163-1073-35	16V100uF	R24	033-4731-15	1/16W 47k ohm
C21	042-0595-53	4V220uF	C150	168-1042-78	16V 0.1uF	R28	033-6841-15	1/16W 680k ohm
C22	168-1042-78	16V 0.1uF	C151	178-1052-78	1uF	R29	033-6841-15	1/16W 680k ohm
C23	168-1042-78	16V 0.1uF	C200	178-1052-78	1uF	R30	033-1041-15	1/16W 100k ohm
C24	046-1032-78	0.01uF	CCT1	050-0145-54	1/16W 47k ohm x4	R31	033-1031-15	1/16W 10k ohm
C25	045-8097-50	8pF	CCT2	050-0145-58	2.2k ohm x 4	R32	033-1031-15	1/16W 10k ohm
C26	045-8097-50	8pF	CCT3	050-0140-63	1/32W 47k ohm x4J	R33	033-1031-15	1/16W 10k ohm
C27	042-0416-52	10V10uF TAN	CCT101	050-0140-68	1/32W 3.3k ohm x4J	R34	033-6831-15	1/16W 68k ohm
C28	046-1032-78	0.01uF	D1	001-2610-90	SQT343	R35	033-6831-15	1/16W 68k ohm
C29	168-1042-78	16V 0.1uF	D2	001-2610-90	SQT343	R36	033-0000-05	0 ohm
C30	045-1201-50	12pF	D3	001-2610-90	SQT343	R43	033-4731-15	1/16W 47k ohm
C31	168-1042-78	16V 0.1uF	D4	001-2610-90	SQT343	R44	033-4731-15	1/16W 47k ohm
C32	046-1032-78	0.01uF	D5	001-2610-90	SQT343	R45	033-4731-15	1/16W 47k ohm
C33	046-1032-78	0.01uF	D6	001-2610-90	SQT343	R101	033-1231-15	1/16W 12k ohm
C34	046-1032-78	0.01uF	D7	001-2610-90	SQT343	R102	033-3321-15	1/16W 3.3k ohm
C35	046-1022-58	1000pF	D101	001-0367-91	1SS226	R103	033-3331-15	1/16W 33k ohm
C102	163-1073-35	16V100uF	IC1	051-7518-18	SN74LVC139APWR	R104	033-4731-15	1/16W 47k ohm
C103	046-4722-58	4700pF	IC2	051-3315-90	TPS76316DBVR	R105	033-4731-15	1/16W 47k ohm
C104	046-1032-78	0.01uF	IC3	051-7239-38	SN74AHCT08PWR	R106	033-2211-15	1/16W 220 ohm
C105	168-1042-78	16V 0.1uF	IC4	051-7518-18	SN74LVC139APWR	R107	033-2211-15	1/16W 220 ohm
C106	168-1042-78	16V 0.1uF	IC5	051-5441-08	BD4828G-TR	R108	033-1021-15	1/16W 1k ohm
C107	042-0416-52	10V10uF TAN	IC6	051-6700-00	TMS320DA140	R109	033-1021-15	1/16W 1k ohm
C108	168-1042-78	16V 0.1uF	IC7	051-7203-48	SN74LV74APW	R110	033-4731-15	1/16W 47k ohm
C109	168-1042-78	16V 0.1uF	IC9	051-9330-00	K4S641632F-TC60	R115	033-0000-05	0 ohm
C110	168-1042-78	16V 0.1uF	IC10	052-5055-11	MBM29DL800BA-90PFTN	R116	033-5621-15	1/16W 5.6k ohm
C111	168-1042-78	16V 0.1uF	IC11	051-6919-08	NJU6391PE	R117	033-4731-15	1/16W 47k ohm
C112	168-4732-78	0.047uF	IC12	051-7221-58	SN74AHC1G04HDCKR	R118	033-3341-15	1/16W 330k ohm
C113	168-4732-78	0.047uF	IC13	051-7280-38	TC7SU04FU-TE85L	R119	033-2231-15	1/16W 22k ohm
C114	168-1042-78	16V 0.1uF	IC14	051-7280-38	TC7SU04FU-TE85L	R120	033-2231-15	1/16W 22k ohm
C115	045-4701-50	47pF	IC101	051-6069-08	FAN8047G3	R121	117-1001-15	1/10W 10 ohm
C116	046-4712-58	470pF	IC102	051-6399-00	TC94A15F	R122	033-2211-15	1/16W 220 ohm
C117	046-4712-58	470pF	J1	074-1138-65	15P	R123	117-6811-15	1/10W 680 ohm
C118	168-1042-78	16V 0.1uF	J2	074-1138-60	10P	R124	032-0162-50	0.51 ohm
C119	168-1042-78	16V 0.1uF	J3	074-1237-70	20P	R126	033-1021-15	1/16W 1k ohm
C120	046-1532-78	0.015uF	Q1	131-1188-50	2SB1188PQR	R127	033-1021-15	1/16W 1k ohm
C121	046-6822-58	6800pF	Q2	125-2004-92	RN1402	R130	033-1051-15	1/16W 1M ohm
C122	168-1042-78	16V 0.1uF	Q101	131-1188-50	2SB1188PQR	TM101	073-0768-90	TERMINAL
C123	046-1032-78	0.01uF	Q102	131-1188-50	2SB1188PQR	X1	061-3534-90	16.92MHz
C126	046-3332-78	0.033uF	R1	033-4721-15	1/16W 4.7k ohm	PWB	039-2429-20	PWB(WITHOUT COMPONENT)
C127	046-4722-58	4700pF	R2	033-1041-15	1/16W 100k ohm			
C130	168-1042-78	16V 0.1uF	R3	033-1041-15	1/16W 100k ohm			
C131	046-1522-58	1500pF						

LED PWB(B4) section

REF No.	PART No.	DESCRIPTION	REF No.	PART No.	DESCRIPTION
D11	001-7058-90	AN1105W-RR	S1	013-7414-50	CHUCKING
D12	001-7058-90	AN1105W-RR	S2	013-7413-50	LIMIT
J4	074-1138-60	10P	PWB	039-1944-21	PWB(WITHOUT COMPONENT)
Q11	060-4015-90	PS1192H			
Q12	060-4015-90	PS1192H			