

■

■

■

■

■

■

# 9. EXPLODED VIEWS AND PARTS LIST

NOTES: ● Parts marked by "NSP" are generally unavailable because they are not in our Master Spare Parts List.

● The  $\triangle$  mark found on some component parts indicates the importance of the safety factor of the part. Therefore, when replacing, be sure to use parts of identical designation.

● Screws adjacent to ▼ mark on product are used for disassembly.

● For the applying amount of lubricants or glue, follow the instructions in this manual.

(In the case of no amount instructions, apply as you think it appropriate.)

## 9.1 PACKING SECTION

The diagram illustrates the exploded view of the DDJ-WEGO-K product and its packaging. The main components are labeled with circled numbers: 1 (the main device), 2, 3, and 4 (the top cover), 5 (the warranty card), 6 (the carrying case), 7 (the control panel), 8 (the carrying handle), and 9 (the carrying case). The warranty card is shown being inserted into the device. The carrying case is shown with the device and handle inside. The diagram is labeled with letters A through F on the left side.

34

■

■

■

■

■

■

DDJ-WEGO-K

1

2

3

4

**(1) PACKING SECTION PARTS LIST**

| <u>Mark No.</u> | <u>Description</u>   | <u>Part No.</u>        |
|-----------------|----------------------|------------------------|
| 1               | USB Cable (DDJ-WEGO) | 408-100UG-087          |
| 2               | I/B Assy             | See Contrast table (2) |
| 3               | Software Disc        | 429-DDJLE-141          |
| 4               | QSG Sheet            | See Contrast table (2) |
| 5               | Handle               | 100-DDJLE-3012         |
| 6               | Handle Base          | 100-DDJLE-3013         |
| 7               | Polyfoam L           | 506-DDJLE-646L         |
| 8               | Polyfoam R           | 506-DDJLE-646R         |
| 9               | Gift Box             | See Contrast table (2) |
| 10              | Soft Bag             | 509-DDJLE-318          |

**(2) CONTRAST TABLE**

DDJ-WEGO-K/XE5, DDJ-WEGO-K/XECN5, DDJ-WEGO-W/XE5, DDJ-WEGO-W/XECN5, DDJ-WEGO-V/XE5, DDJ-WEGO-G/XE5, DDJ-WEGO-R/XE5 and DDJ-WEGO-R/XECN5 are constructed the same except for the following:

| Mark | No. | Symbol and Description | DDJ-WEGO-K<br>/XE5 | DDJ-WEGO-K<br>/XECN5 | DDJ-WEGO-W<br>/XE5 | DDJ-WEGO-W<br>/XECN5 |
|------|-----|------------------------|--------------------|----------------------|--------------------|----------------------|
|      | 2   | I/B Assy               | 701-DDJLEA-5247    | 701-DDJLEB-5248      | 701-DDJLEA-5247    | 701-DDJLEB-5248      |
|      | 4   | QSG Sheet              | 502-DDJLEA-3246    | Not used             | 502-DDJLEA-3246    | Not used             |
|      | 4   | QSG & Safety           | Not used           | 502-DDJLEB-3250      | Not used           | 502-DDJLEB-3250      |
|      | 9   | Gift Box               | 507-LEKA-3368      | 507-LEKB-3368        | 507-DDJLEA-3368    | 507-LEWB-3368        |
| Mark | No. | Symbol and Description | DDJ-WEGO-V<br>/XE5 | DDJ-WEGO-G<br>/XE5   | DDJ-WEGO-R<br>/XE5 | DDJ-WEGO-R<br>/XECN5 |
|      | 2   | I/B Assy               | 701-DDJLEA-5247    | 701-DDJLEA-5247      | 701-DDJLEA-5247    | 701-DDJLEB-5248      |
|      | 4   | QSG Sheet              | 502-DDJLEA-3246    | 502-DDJLEA-3246      | 502-DDJLEA-3246    | Not used             |
|      | 4   | QSG & Safety           | Not used           | Not used             | Not used           | 502-DDJLEB-3250      |
|      | 9   | Gift Box               | 507-LEVA-3368      | 507-LEGA-3368        | 507-LERA-3368      | 507-LERB-3368        |

# 9.2 EXTERIOR SECTION

1

2

3

4

A

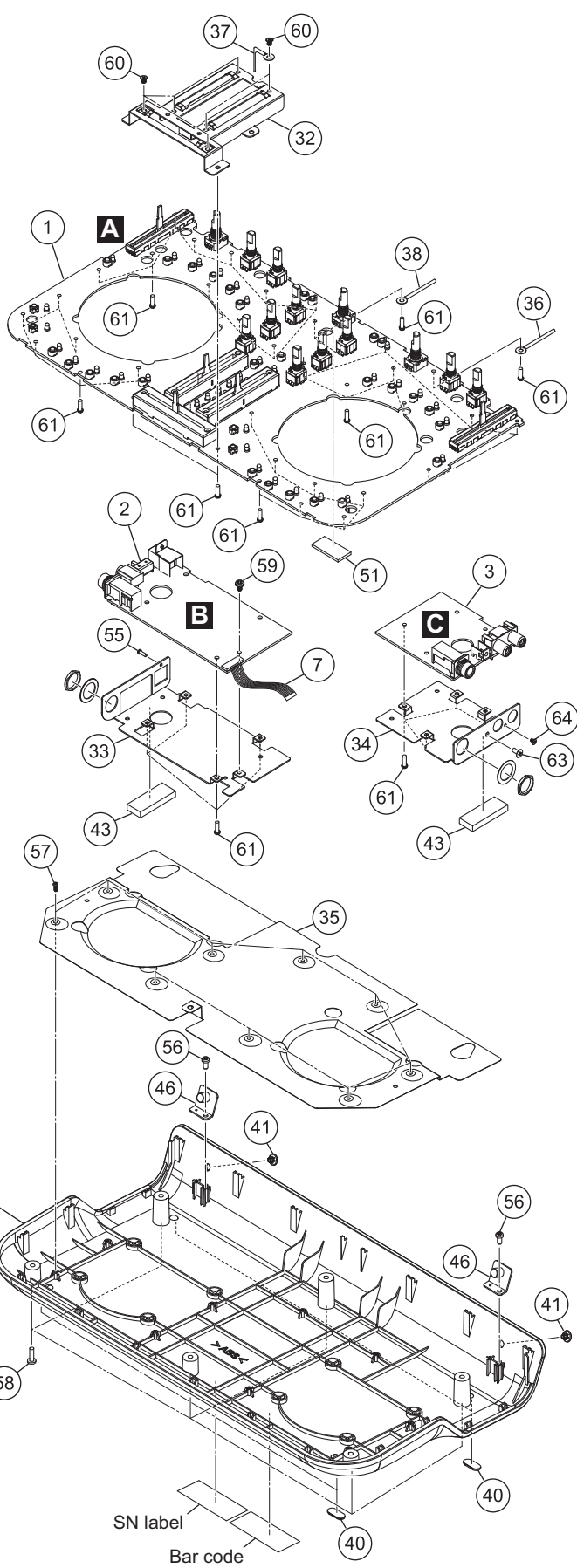
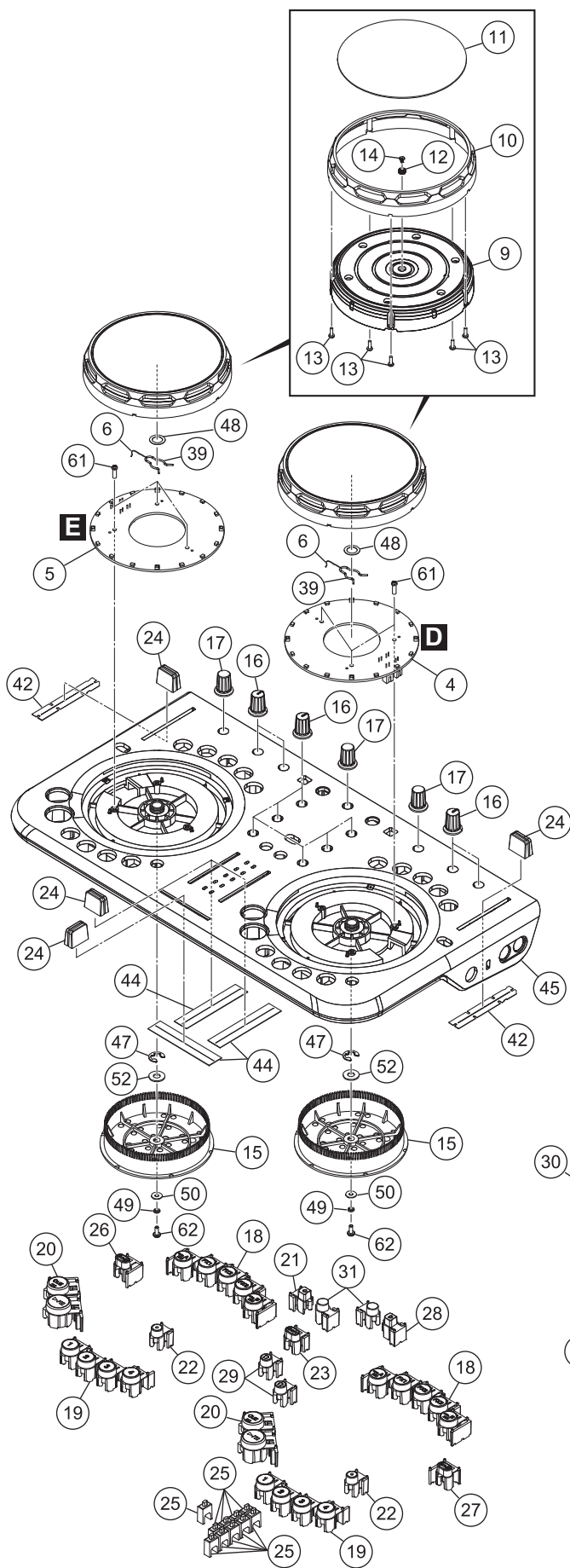
B

C

D

E

F



1

2

3

4

**(1) EXTERIOR SECTION PARTS LIST**

| <u>Mark No.</u> | <u>Description</u>   | <u>Part No.</u>        | <u>Mark No.</u> | <u>Description</u> | <u>Part No.</u>        |
|-----------------|----------------------|------------------------|-----------------|--------------------|------------------------|
| 1               | CONTROL PCB Assy     | 704-DDJLE-A368         | 36              | Locking Cable Clip | 300-HM510B-224         |
| 2               | IO PCB Assy          | 704-DDJLE-A367         | 37              | Locking Cable Clip | 300-HM510B-224A        |
| 3               | MASTER PCB Assy      | 704-DDJLE-A372         | 38              | Locking Cable Clip | 504-HV3500K-033        |
| 4               | WHEEL (R) PCB Assy   | 704-DDJLE-A370         | 39              | Clip               | 603-PROS2-256A         |
| 5               | WHEEL (L) PCB Assy   | 704-DDJLE-A371         | 40              | Foot Pad           | 604-DDJLE-604          |
| 6               | 1P Lead Wire         | 406-DDJLE-1227         | 41              | Plug               | See Contrast table (2) |
| 7               | 10P FFC Cable        | 406-SP2U-1067V         | 42              | Cushion            | 612-DDJLE-441          |
| 8               | •••••                |                        | 43              | Sponge             | 612-PDJ22-428          |
| 9               | Wheel Ring Assy      | 701-DDJLE-5224         | 44              | Cushion            | 612-202-220            |
| 10              | Wheel Frame          | 100-DDJLE-2942S        | 45              | Chassis Assy       | 701-DDJLE-5223         |
| 11              | Decorating Sheet     | 501-DDJLE-2508         | 46              | Fixed Base Assy    | 703-DDJLE-1376         |
| 12              | Spring               | 603-M1-384             | 47              | E Ring             | 606-DJ3000-105         |
| 13              | Screw                | 602-BTP2006-733B       | 48              | Pulley Washer      | 606-F200-003           |
| 14              | Screw                | 602-STS2003-677        | 49              | Washer             | 606-MCD810-204         |
| 15              | Wheel Tooth          | 100-DDJLE-2943         | 50              | Washer             | 606-MCD810-205         |
| 16              | JOG Tuning Knob      | 100-DDJLE-2944         | 51              | Washer             | 612-DDJLE-447          |
| 17              | Rotate Knob          | 100-DDJLE-2945         | 52              | Washer             | 606-DDJLE-260          |
| 18              | FX Knob              | 100-DDJLE-2946         | 53              | •••••              |                        |
| 19              | HOT CUE Knob         | 100-DDJLE-2947         | 54              | •••••              |                        |
| 20              | PLAYCUE Knob         | 100-DDJLE-2948         | 55              | Screw              | 602-HP1010K-181        |
| 21              | SQUARE Knob          | 100-DDJLE-2949         | 56              | Screw              | 602-LC58FA-371         |
| 22              | CIRCULAR Knob        | 100-DDJLE-2950         | 57              | Screw              | 602-M100-031           |
| 23              | ELLIPTIC Knob        | 100-DDJLE-2951         | 58              | Screw              | See Contrast table (2) |
| 24              | Push Knob            | 100-DDJLE-2952         | 59              | Screw              | 602-QMX2BPM-322        |
| 25              | LED Lens             | 100-DDJLE-2953         | 60              | Screw              | 602-SA12-414           |
| 26              | Left Knob            | 100-DDJLE-2954         | 61              | Screw              | 602-SL24F-099          |
| 27              | Right Knob           | 100-DDJLE-2955         | 62              | Screw              | 602-STR885-354         |
| 28              | SQUARE Knob          | 100-DDJLEA-2949        | 63              | Screw              | 602-ST306-728B         |
| 29              | CIRCULAR Knob        | 100-DDJLEA-2950        | 64              | Screw              | 602-STS2003-677        |
| 30              | Base                 | See Contrast table (2) |                 |                    |                        |
| 31              | CIRCULAR Knob        | 100-DDJLEB-2950        |                 |                    |                        |
| 32              | VR Fixed Plate       | 300-DDJLE-2029         |                 |                    |                        |
| 33              | L Output Fixed Plate | 300-DDJLE-2030         |                 |                    |                        |
| 34              | R Output Fixed Plate | 300-DDJLE-2031         |                 |                    |                        |
| 35              | Large Ground Plate   | 300-DDJLE-2055         |                 |                    |                        |

**(2) CONTRAST TABLE**

DDJ-WEGO-K/XE5, DDJ-WEGO-K/XECN5, DDJ-WEGO-W/XE5, DDJ-WEGO-W/XECN5, DDJ-WEGO-V/XE5, DDJ-WEGO-G/XE5, DDJ-WEGO-R/XE5 and DDJ-WEGO-R/XECN5 are constructed the same except for the following:

| Mark | No. | Symbol and Description | DDJ-WEGO-K<br>/XE5 | DDJ-WEGO-K<br>/XECN5 | DDJ-WEGO-W<br>/XE5 | DDJ-WEGO-W<br>/XECN5 |
|------|-----|------------------------|--------------------|----------------------|--------------------|----------------------|
|      | 30  | Base                   | 100-DDJLEB-2940    | 100-LEKB-2940        | 100-DDJLE-2940     | 100-LEWB-2940        |
|      | 41  | Plug                   | 604-DDJLEB-606     | 604-DDJLEB-606       | 604-DDJLE-606      | 604-DDJLE-606        |
|      | 58  | Screw                  | 602-PTB3010-674Z   | 602-PTB3010-674Z     | 602-PTB3010-674B   | 602-PTB3010-674B     |
| Mark | No. | Symbol and Description | DDJ-WEGO-V<br>/XE5 | DDJ-WEGO-G<br>/XE5   | DDJ-WEGO-R<br>/XE5 | DDJ-WEGO-R<br>/XECN5 |
|      | 30  | Base                   | 100-DDJLEC-2940    | 100-DDJLEA-2940      | 100-DDJLED-2940    | 100-LERB-2940        |
|      | 41  | Plug                   | 604-DDJLEC-606     | 604-DDJLEA-606       | 604-DDJLED-606     | 604-DDJLED-606       |
|      | 58  | Screw                  | 602-PTB3010-674Z   | 602-PTB3010-674B     | 602-PTB3010-674Z   | 602-PTB3010-674Z     |

# 12. PCB PARTS LIST

NOTES: ● Parts marked by "NSP" are generally unavailable because they are not in our Master Spare Parts List.

● The  $\Delta$  mark found on some component parts indicates the importance of the safety factor of the part. Therefore, when replacing, be sure to use parts of identical designation.

● Although the cables that are directly mounted on each PCB Assy are listed individually as electrical parts of the corresponding PCB Assy in the parts list, those cables are included with each PCB Assy for service when it is supplied.

**Mark No. Description** **Part No.**

## LIST OF ASSEMBLIES

|                       |                |
|-----------------------|----------------|
| 1..CONTROL PCB ASSY   | 704-DDJLE-A368 |
| 1..IO PCB ASSY        | 704-DDJLE-A367 |
| 1..MASTER PCB ASSY    | 704-DDJLE-A372 |
| 1..WHEEL (R) PCB ASSY | 704-DDJLE-A370 |
| 1..WHEEL (L) PCB ASSY | 704-DDJLE-A371 |

**Mark No. Description** **Part No.**

## **A** CONTROL PCB ASSY

### SEMICONDUCTORS

|                      |                |
|----------------------|----------------|
| IC 502 IC            | 417-DDJLE-1078 |
| IC 601-608 IC        | 417-DDJLE-1080 |
| IC 610,611 IC        | 417-RMP3-936   |
| IC 609 IC            | 417-QSPAND-432 |
| Q 601-604 TRANSISTOR | 416-CDN88-044  |

|                                  |                 |
|----------------------------------|-----------------|
| Q 605,606 TRANSISTOR             | 416-CTB200-166  |
| Q 801,803,805,807,809 TRANSISTOR | 416-HDJ2460-234 |
| Q 811,813,817,819,821 TRANSISTOR | 416-HDJ2460-234 |
| Q 825,827,829,831,833 TRANSISTOR | 416-HDJ2460-234 |
| Q 835,837,841,843,845 TRANSISTOR | 416-HDJ2460-234 |

|                           |                 |
|---------------------------|-----------------|
| D 658 TVS DIODE           | 414-UDJ200-284  |
| D 601-636 SWITCHING DIODE | 414-CD1000-075  |
| D 815,839 LED             | 410-HDJ2000-162 |
| D 801,803,805,807,809 LED | 410-DJ5000-253V |
| D 811,813,816-819,821 LED | 410-DJ5000-253V |

|                                  |                 |
|----------------------------------|-----------------|
| D 823-825,827,829,833 LED        | 410-DJ5000-253V |
| D 835,837,840,841,843 LED        | 410-DJ5000-253V |
| D 845,847-849,851-861 LED        | 410-DJ5000-253V |
| D 931 LED                        | 410-DJ5000-253V |
| ZD 601,602,654-657,660 ESD DIODE | 414-RMP3-285    |

|              |               |
|--------------|---------------|
| ZD 603 DIODE | 414-DDJLE-332 |
|--------------|---------------|

### MISCELLANEOUS

|                            |                |
|----------------------------|----------------|
| SW606,607,615,616 SWITCH   | 403-DDJLE-416  |
| L 601,602,610 COIL         | 415-HT8015-040 |
| CN 01A,02A CONNECTOR       | 404-PDJ33-3584 |
| CN 605A 10P 1.0 FFC SOCKET | 404-PDJ22-3567 |
| CHASSIS/2 WIRE             | 406-DDJLE-1229 |

|                                       |                |
|---------------------------------------|----------------|
| W 604 WIRE HARNESS                    | 404-DDJLE-3722 |
| SW632-634 ENCODER                     | 403-DDJLE-418  |
| WT01A to 01B, 02A to 02B WIRE HARNESS | 404-DDJLE-3721 |
| G 2 WIRE                              | 406-DDJLE-1230 |
| SW601-605,608-614,617-631 TACT SW     | 403-MC2-383    |

|                   |                |
|-------------------|----------------|
| SW635,636 TACT SW | 403-MC2-383    |
| W 3A to 3B WIRE   | 406-DDJLE-1237 |
| W 4A to 4B WIRE   | 406-H464-020   |
| G 1A to 1B WIRE   | 406-MX200-1110 |

**Mark No. Description** **Part No.**

## RESISTORS

|   |                |
|---|----------------|
| VR 601,609-,611,613-615 VARIABLE RESISTOR | 418-MC1000-667 |
| VR 619,620 VARIABLE RESISTOR              | 418-DDJLE-691  |
| VR 616,617 VARIABLE RESISTOR              | 418-PDJ33-672  |
| VR 618 VARIABLE RESISTOR                  | 418-DDJLE-690  |
| VR 602,603,621 VARIABLE RESISTOR          | 418-SINN7-606  |

|                                |               |
|--------------------------------|---------------|
| R 614,676 RESISTOR             | 412-3113-078  |
| R 892-897 CARBON FILM RESISTOR | 412-3113-058L |

## CAPACITORS

|                          |                 |
|--------------------------|-----------------|
| C 693 CAPACITOR          | 413-3113-045    |
| C 628 CAPACITOR          | 413-MC6000-1190 |
| C 604 TANTALUM CAPACITOR | 413-MAIE-1211   |
| C 611 CAPACITOR          | 413-HT8015-169  |

## **B** IO PCB ASSY

### SEMICONDUCTORS

|                 |                 |
|-----------------|-----------------|
| IC 302 IC       | 417-DDJLE-1079  |
| IC 200,300 IC   | 417-HP400U-995  |
| IC 3 IC         | 417-9000-740    |
| IC 2,10 IC      | 417-PDJ33-1045  |
| IC 1 TRANSISTOR | 417-200USB-1071 |

|                      |                |
|----------------------|----------------|
| IC 201,301 IC        | 417-ST150-599  |
| IC 6 IC              | 417-U101-497   |
| Q 7 TRANSISTOR       | 416-S300-327   |
| Q 8,10,11 TRANSISTOR | 416-UDJ200-347 |
| Q 4,21 TRANSISTOR    | 416-CDN88-044  |

|                                  |                 |
|----------------------------------|-----------------|
| Q 203,204,207,208,210 TRANSISTOR | 416-3000-378    |
| Q 211 TRANSISTOR                 | 416-3000-378    |
| Q 201,202,205,206 INDUCTANCE     | 415-USOLOPA-342 |
| D 658 TVS DIODE                  | 414-UDJ200-284  |

|                            |                 |
|----------------------------|-----------------|
| D 1 TVS POWER ZENER        | 414-F300-289    |
| D 5,9,50 DIODE             | 414-007USB-148  |
| D 502,504 ESD DIODE        | 414-DJ1100G-207 |
| D 601-D636 SWITCHING DIODE | 414-CD1000-075  |
| ZD 500 ESD DIODE           | 414-RMP3-285    |

### MISCELLANEOUS

|                            |                 |
|----------------------------|-----------------|
| JK 101 JACK GROUND PLATE 3 | 00-300-1171     |
| L 4 INDUCTOR               | 415-DDJLE-407   |
| L 500,502 MICRO INDUCTOR   | 415-RCC955A-094 |
| L 501 COMMON MODE CHOKE    | 415-JKME3-370   |
| L 50 POWER CHOKE           | 415-MC6000-356  |

|                       |                 |
|-----------------------|-----------------|
| JK 301 HEADPHONE JACK | 420-HDJ7100-063 |
| JK 501 USB JACK       | 420-007USB-150  |
| JK 302 3P HEADPHONE   | 420-CDMIX1-086  |
| F 500 IC              | 422-120-063     |
| L 3 INDUCTOR          | 415-DDJLE-406   |

|                               |                  |
|-------------------------------|------------------|
| L 1,2,61,62 BEAD              | 415-DCM370E3-134 |
| L 301,302 INDUCTOR            | 415-CDMIX1-139   |
| CN 01A,02A 10P 1.0 FFC SOCKET | 404-PDJ22-3567   |
| JK 501 GROUND PLATE           | 300-1000-1908    |

| Mark | No.   | Description | Part No.          |
|------|-------|-------------|-------------------|
|      | CN501 | 3P SOCKET   | 404-HP1010K-259A  |
| A    | SW01  | SLIDE SW    | 403-DV300-5007    |
|      | CN502 | 4P SOCKET   | 404-DCM270E3-878A |
|      | X 500 | OSC (6 MHz) | 427-DJ2500-049    |

**RESISTORS**

R 70,71 CARBON FILM RESISTOR 412-KM501-293

**CAPACITORS**

C 63 ELEC.CAPACITOR 413-CDMIX2-631  
 C 317,366 ELEC.CAPACITOR 413-DV300-5156  
 C 3 ELEC.CAPACITOR 413-HT801K-192  
 C 525 POLYESTER CAPACITOR 413-QSPAND-632  
 C 201,205,206,253,254 ELEC.CAPACITOR 413-SPPW3-235

B  
 C 301,305,306,311,312 ELEC.CAPACITOR 413-SPPW3-235  
 C 200,303 ELEC.CAPACITOR 413-007USB-828  
 C 527 CERAMIC CAPACITOR 413-1430-071  
 C 4 ELEC.CAPACITOR 413-810-920

**C MASTER PCB ASSY****SEMICONDUCTORS**

IC 100,101,202 IC 417-ST150-599  
 Q 201,202,205,206 TRANSISTOR 416-3000-378

**MISCELLANEOUS**

C  
 JK 101 JACK GROUND PLATE 300-300-1171  
 L 63 BEAD 415-DCM370E3-134  
 JK 101 MIC JACK 420-Q3433-107  
 0 FIXED PLATE 300-4500-2010A  
 W 501 CONNECTOR WIRE 404-DDJLE-3719

JK 102 GROUND PLATE 300-33-1917  
 W 502 CONNECTOR WIRE 404-DDJLE-3720  
 JK 102 2P RCA JACK 420-100U-256  
 CN604 3P SOCKET 404-HP1010K-259A

**CAPACITORS**

D  
 C 103 CAPACITOR 413-SP2U-1136  
 C 104 CAPACITOR 413-SPPW3-236  
 C 115,223,224 ELEC.CAPACITOR 413-SPPW3-235  
 C 213,214 CAPACITOR 413-HT801K-191  
 C 78,79 CAPACITOR 413-CDVD2001-265

**D WHEEL (R) PCB ASSY****SEMICONDUCTORS**

E  
 IC 615-617 IC 417-DDJLE-1080  
 D 651,652 SENSOR 417-HDJ2000-411

**MISCELLANEOUS**

CN02B FFC CABLE 406-DDJLE-1226

**E WHEEL (L) PCB ASSY****SEMICONDUCTORS**

IC 612-614 IC 417-DDJLE-1080  
 D 653,658 SENSOR 417-HDJ2000-411

**MISCELLANEOUS**

F  
 CN01B FFC CABLE 406-DDJLE-1226