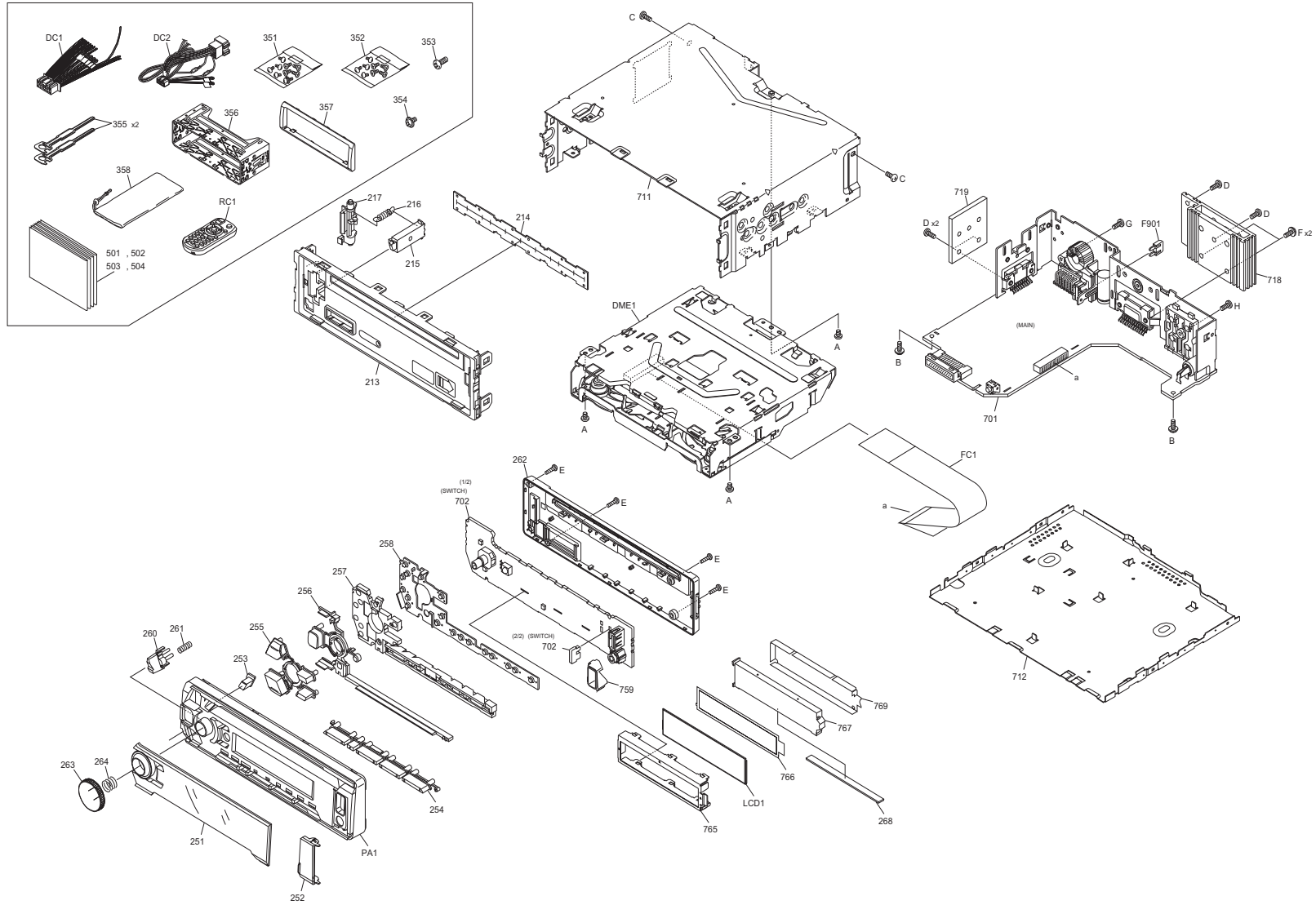


EXPLODED VIEW (UNIT)

Block No.M1MM



Parts with the exploded numbers larger than 700 are not supplied.

created date:2015-09-15

MODEL	MARK	MODEL	MARK	MODEL	MARK	MODEL	MARK
KDC-100UA	A1	KDC-100UA	M0	KDC-100UB	E5	KDC-100UB	H1
KDC-100UB	M2	KDC-100UBS	E7	KDC-100UG	E4	KDC-100UG	M8
KDC-100UR	E3	KDC-100UR	M4	KDC-100UW	A2	KDC-100UW	M3
KDC-1010U	M6	KDC-10UR	E2	KDC-115U	K1	KDC-125U	K2
KDC-150RY	E6	KDC-151UBM	M7	KDC-161URM	M5	KDC-165U	K3
KDC-181UWM	M9	KDC-200UB	E1	KDC-230U	K4	KDC-MP165U	K0

Safe	Symbol No.	Parts No.	Parts Name	Description	QTY	Local
------	------------	-----------	------------	-------------	-----	-------

EXPLODED VIEW (UNIT) <M1MM>

△	DC1	QAM1623-002	DC CORD		1	A1,M0,H1,M2,M8,M4,A2,M3,M6,K1,K2,K3,K4,K0
△	DC2	QAM1333-001	DC CORD		1	E5,E7,E4,E3,E2,E6,M7,M5,M9,E1
△	DME1	XJJ-0370-00	MECHANISM ASSY		1	
	F901	FZB10BT-100	BLADE FUSE		1	
	FC1	WJT0335-001A-E	E-CARD WIRE		1	
	LCD1	B3H-0034-00	LCD		1	
	PA1	A6D-0052-01	PANEL		1	A1,M0,E5,H1,M2,E4,M8,E3,M4,A2,M3,E2,K1,K2,E6,K3,E1,K4,K0
	PA1	A6D-0052-02	PANEL		1	E7
	PA1	A6D-0053-05	PANEL		1	M6,M7,M5,M9
	RC1	QAL1303-004	REMOCON		1	A1,M0,H1,M2,M8,M4,A2,M3,M6,K1,K4,K0
	A	QYSDST2604ZA	TAP SCREW	M2.6 x 4mm	3	
	B	GE40377-002A	SPECIAL SCREW		2	
	C	QYSDST2606ZA	TAP SCREW	M2.6 x 6mm	2	
	D	QYSDST2610ZA	TAP SCREW	M2.6 x 10mm	4	
	E	QYSDSF2008ZA	TAP SCREW	M2 x 8mm	4	
	F	GE40377-005A	SPECIAL SCREW		2	
	G	QYSPSG3008ZA	TAP SCREW	M3 x 8mm	1	
	H	QYSDSF2608ZA	TAP SCREW	M2.6 x 8mm	1	A1,M0,E5,H1,M2,E7,E4,M8,E3,M4,A2,M3,M6,K1,K2,E6,M7,M5,K3,M9,E1,K4,K0
	213	A2C-0021-01	SUB PANEL		1	
	214	F1K-0035-00	BLIND PLATE		1	
	215	D1A-0023-00	LEVER		1	
	216	G0A-0027-00	EXTEN.SPRING		1	
	217	D1A-0022-00	LEVER		1	
	251	B1A-0032-0Q	FRONT GLASS		1	A1,M0,H1,M2,M8,M4,A2,M3
	251	B1A-0032-0G	FRONT GLASS		1	E5,E7,E4,E3
	251	B1A-0032-0R	FRONT GLASS		1	M6
	251	B1A-0032-05	FRONT GLASS		1	E2
	251	B1A-0033-00	FRONT GLASS		1	K1
	251	B1A-0032-00	FRONT GLASS		1	K2
	251	B1A-0032-0H	FRONT GLASS		1	E6
	251	B1A-0032-0U	FRONT GLASS		1	M7
	251	B1A-0032-0V	FRONT GLASS		1	M5
	251	B1A-0032-01	FRONT GLASS		1	K3
	251	B1A-0033-01	FRONT GLASS		1	M9
	251	B1A-0032-0K	FRONT GLASS		1	E1
	251	B1A-0032-02	FRONT GLASS		1	K4
	251	B1A-0032-03	FRONT GLASS		1	K0
	252	F0G-0096-00	COVER		1	
	253	K2F-0028-00	PUSH KNOB		1	
	254	K2F-0030-00	PUSH KNOB		1	
	255	K2F-0029-00	PUSH KNOB		1	
	256	B1B-0041-01	LENS		1	A1,M0,E5,H1,M2,E7,E4,M8,E3,M4,A2,M3,M6,E2,E6,M7,M5,M9
	256	B1B-0041-04	LENS		1	K1,K2,K0
	256	B1B-0041-00	LENS		1	K3,E1,K4
	257	B1K-0035-00	LIGHTING BOARD		1	
	258	E2K-0024-00	CONDUCT RUBBER		1	
	260	K2K-0162-00	KNOB		1	
	261	GE30999-013A	COMP.SPRING		1	
	262	A4G-0023-00	REAR COVER		1	
	263	K2K-0165-00	KNOB BASE		1	A1,M0,E5,H1,M2,E7,E4,M8,E3,M4,A2,M3,M6,E6,E1
	263	K2K-0101-00	KNOB		1	E2,K1,K2,M7,M5,K3,M9,K4,K0
	264	GE40127-005A	KNOB SPRING		1	
	268	QNZ1117-001	RUBBER CONNE		1	
	351	GE40531-001A	SCREW SET		1	A1,M0,H1,M2,M8,M4,A2,M3,M6,K0
	352	GE40536-001A	SCREW SET		1	M7,M5,M9
	353	QYSPSF2008ZA	TAP SCREW	M2 x 8mm	1	A1,M0,H1,M2,M8,M4,A2,M3,M6,K1,K2,K3,K4,K0
	354	QYSPSPD4008ZA	SCREW	M4 x 8mm	1	M7,M5,M9
	355	GE40685-001A	HOOK		2	
	356	GE20362-002A	MOUNTING SLEEVE		1	
	357	B0H-0013-00	ESCUTCHEON		1	A1,M0,H1,M2,M8,M4,A2,M3,M6,M7,M5,M9,E1
	357	B0H-0014-00	ESCUTCHEON		1	E5,E7,E4,E3,E2,K1,K2,E6,K3,K4,K0
	358	GE40521-001A	CARRYING CASE		1	A1,M0,H1,M2,M8,M4,A2,M3,M6,M7,M5,M9
	501	B5A-0873-00	INST.MANUAL	INA	1	A1,A2
	501	B5A-0872-00	INST.MANUAL	ENG ARA	1	M0,H1,M2,M8,M4,M3,M6,M7,M5,M9
	501	B5A-0871-00	INST.MANUAL	FRE SPA POR DUT	1	E5,E7,E4,E3,E2,E1
	501	B5A-0869-00	INST.MANUAL	ENG FRE SPA	1	K1,K2,K3,K4,K0
	502	B5A-0871-01	INST.MANUAL	ENG GER UKR	1	E5,E7,E4,E3,E2,E6,E1

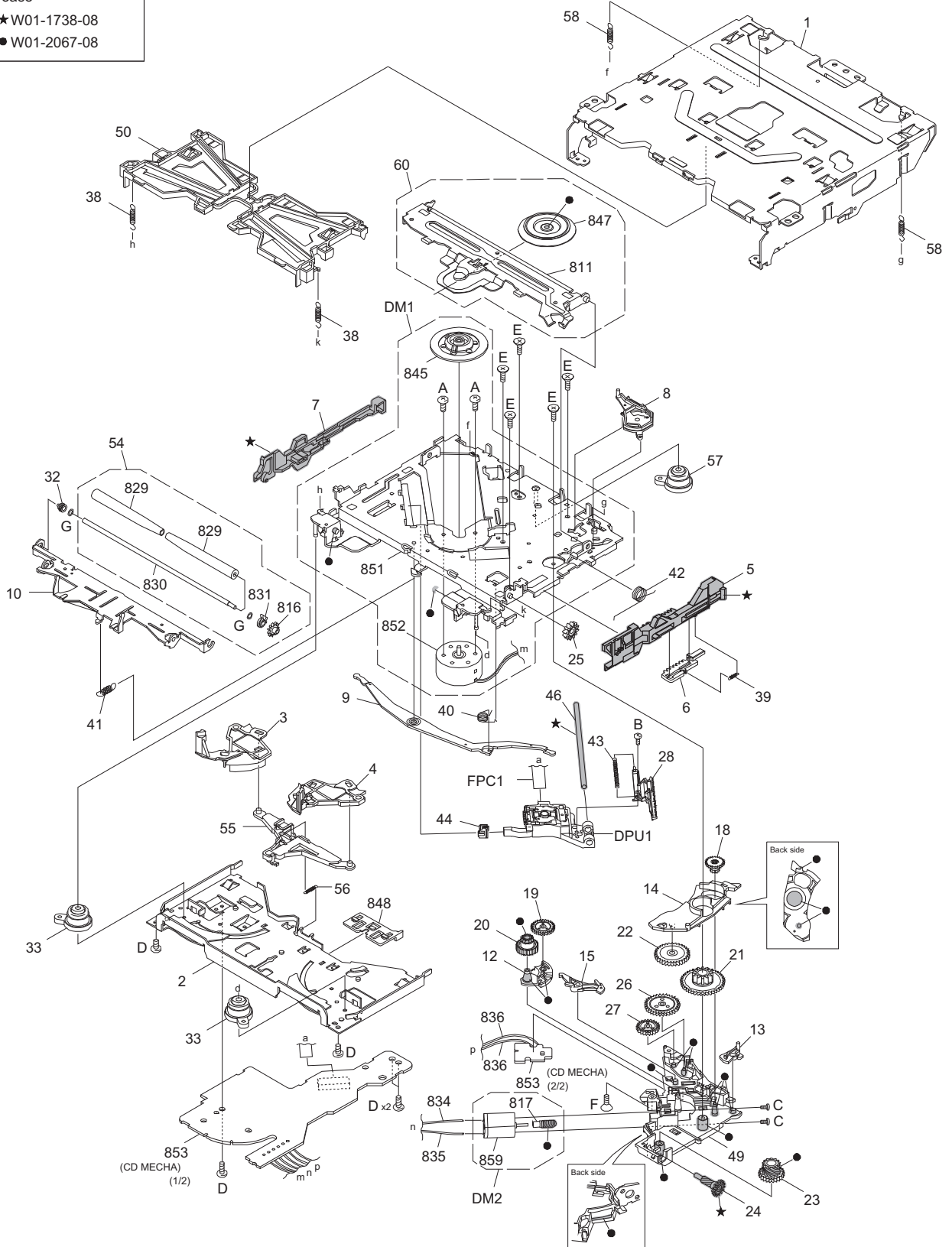
MODEL	MARK	MODEL	MARK	MODEL	MARK	MODEL	MARK
KDC-100UA	A1	KDC-100UA	M0	KDC-100UB	E5	KDC-100UB	H1
KDC-100UB	M2	KDC-100UBS	E7	KDC-100UG	E4	KDC-100UG	M8
KDC-100UR	E3	KDC-100UR	M4	KDC-100UW	A2	KDC-100UW	M3
KDC-1010U	M6	KDC-10UR	E2	KDC-115U	K1	KDC-125U	K2
KDC-150RY	E6	KDC-151UBM	M7	KDC-161URM	M5	KDC-165U	K3
KDC-181UWM	M9	KDC-200UB	E1	KDC-230U	K4	KDC-MP165U	K0

Safe	Symbol No.	Parts No.	Parts Name	Description	QTY	Local
	502	B5A-0872-01	INST.MANUAL	RUS PER TUR	1	M7,M5,M9
	503	B5A-0871-02	INST.MANUAL	ITA	1	E5,E7,E4,E3,E2,E6,E1
	504	B5A-0871-03	INST.MANUAL	RUS	1	E5,E4,E3,E6,E1
	701	-----	MAIN PWB ASSY	NO SERVICE PART	1	A1,M0,H1,M2,M8,M4,A2,M3,M6
	701	-----	MAIN PWB ASSY	NO SERVICE PART	1	E5,E7,E4,E3
	701	-----	MAIN PWB ASSY	NO SERVICE PART	1	E2
	701	-----	MAIN PWB ASSY	NO SERVICE PART	1	K1
	701	-----	MAIN PWB ASSY	NO SERVICE PART	1	K2
	701	-----	MAIN PWB ASSY	NO SERVICE PART	1	E6
	701	-----	MAIN PWB ASSY	NO SERVICE PART	1	M7,M5,M9
	701	-----	MAIN PWB ASSY	NO SERVICE PART	1	K3
	701	-----	MAIN PWB ASSY	NO SERVICE PART	1	E1
	701	-----	MAIN PWB ASSY	NO SERVICE PART	1	K4
	701	-----	MAIN PWB ASSY	NO SERVICE PART	1	K0
	702	-----	SWITCH PWB ASSY	NO SERVICE PART	1	A1,M0
	702	-----	SWITCH PWB ASSY	NO SERVICE PART	1	E5,E7,E1
	702	-----	SWITCH PWB ASSY	NO SERVICE PART	1	H1,M2
	702	-----	SWITCH PWB ASSY	NO SERVICE PART	1	E4
	702	-----	SWITCH PWB ASSY	NO SERVICE PART	1	M8
	702	-----	SWITCH PWB ASSY	NO SERVICE PART	1	E3,E2,K2,E6,K3
	702	-----	SWITCH PWB ASSY	NO SERVICE PART	1	M4,K1,K4
	702	-----	SWITCH PWB ASSY	NO SERVICE PART	1	A2,M3
	702	-----	SWITCH PWB ASSY	NO SERVICE PART	1	M6,M9
	702	-----	SWITCH PWB ASSY	NO SERVICE PART	1	M7
	702	-----	SWITCH PWB ASSY	NO SERVICE PART	1	M5
	702	-----	SWITCH PWB ASSY	NO SERVICE PART	1	K0
	711	-----	TOP COVER	NO SERVICE PART	1	A1,M0,H1,M2,M8,M4,A2,M3,M6,K1,K2,K3,K4,K0
	711	-----	TOP COVER	NO SERVICE PART	1	E5,E7,E4,E3,E2,E6,M7,M5,M9,E1
	712	-----	BOTTOM PLATE	NO SERVICE PART	1	
	718	-----	HEAT SINK	NO SERVICE PART	1	
	719	-----	HEAT SINK	NO SERVICE PART	1	
	759	-----	LIGHTING BOARD	NO SERVICE PART	1	M6,M7,M5,M9
	765	-----	LCD CASE	NO SERVICE PART	1	
	766	-----	OPTI.DIFFUSER	NO SERVICE PART	1	
	767	-----	LIGHTING BOARD	NO SERVICE PART	1	
	769	-----	REF.SHEET	NO SERVICE PART	1	

EXPLODED VIEW (CD MECHANISM: XJJ-0370-00)

Block No.MBMM

- Grease
 ★W01-1738-08
 ●W01-2067-08



Parts with the exploded numbers larger than 800 are not supplied.

MODEL	MARK	MODEL	MARK	MODEL	MARK	MODEL	MARK
KDC-100UA	A1	KDC-100UA	M0	KDC-100UB	E5	KDC-100UB	H1
KDC-100UB	M2	KDC-100UBS	E7	KDC-100UG	E4	KDC-100UG	M8
KDC-100UR	E3	KDC-100UR	M4	KDC-100UW	A2	KDC-100UW	M3
KDC-1010U	M6	KDC-10UR	E2	KDC-115U	K1	KDC-125U	K2
KDC-150RY	E6	KDC-151UBM	M7	KDC-161URM	M5	KDC-165U	K3
KDC-181UWM	M9	KDC-200UB	E1	KDC-230U	K4	KDC-MP165U	K0

Safe	Symbol No.	Parts No.	Parts Name	Description	QTY	Local
------	------------	-----------	------------	-------------	-----	-------

EXPLODED VIEW (CD MECHANISM: XJJ-0370-00) <MBMM>

DM1	CM-FC2-MD	MD CHASSIS ASSY	1	
DM2	CM-FC2-M	LOADING MOTOR ASSY	1	
DPU1	T2F-0002-00	CD OPT PICKUP	1	
FPC1	QAL1465-001	FPC	1	
A	LV45568-001A	MINI SCREW	2	
B	QYSPSGT1745ZA	TAP SCREW	1	M1.7 x 4.5mm
C	QYSPSPT2025MA	SCREW	2	M2 x 2.5mm
D	VKZ4539-054	MINI SCREW	5	
E	LV45818-001A	G.HOLDER SCREW	5	
F	LV45815-001A	M. SHAFT SCREW	1	
G	LV45816-001A	ROLLER WASHER	2	
1	LV11877-003A	OUTER CHASSIS	1	
2	LV11878-003A	LOWER CHASSIS	1	
3	LV3A174-002A	DISC ARM L	1	
4	LV3A175-001A	DISC ARM R	1	
5	LV23057-001A	SLIDER R	1	
6	LV3A178-001A	TRIGGER SLIDER	1	
7	LV23058-001A	SLIDER L	1	
8	LV3A179-002A	TRIGGER ARM	1	
9	LV3A173-001A	JOINT LEVER	1	
10	LV23055-003A	ROLLER LEVER	1	
12	LV3A181-002A	TRANSFER ARM	1	
13	LV45797-002A	SL LOCK CAM	1	
14	LV3A182-003A	SL LOCK ARM	1	
15	LV3A183-001A	PICK LOCK ARM	1	
18	LV3A187-002A	HELICAL GEAR 1	1	
19	LV3A188-001A	TRANSFER GEAR	1	
20	LV3A189-001A	LOAD GEAR H	1	
21	LV3A190-001A	DRIVE GEAR	1	
22	LV3A191-001A	JOINT GEAR	1	
23	LV3A192-001A	WORM GEAR 2	1	
24	LV3A193-001A	HELICAL GEAR 2	1	
25	LV3A194-001A	LOAD GEAR V	1	
26	LV3A195-001A	PICK GEAR 1	1	
27	LV3A196-001A	PICK GEAR 2	1	
28	LV3A197-001A	RACK GEAR	1	
32	LV45796-001A	R.RETAINER L	1	
33	D39-0403-05	DAMPER	2	
38	LV45809-001A	FLOAT SPRING(F)	2	
39	LV45810-001A	TRIGGER SPRING	1	
40	LV45811-001A	LOAD SPRING	1	
41	LV45812-001A	ROLLER SPRING	1	
42	LV45813-002A	CLAMP SPRING	1	
43	LV45814-001A	PICK SPRING	1	
44	LV36813-201A	SUB GUIDE CAP	1	
46	D2B-0037-00	SHAFT	1	
49	LV11881-002A	GEAR HOLDER	1	
50	LV11880-003A	DISC GUIDE	1	
54	CM-FC2-R	ROLLER ASSY	1	
55	D10-7176-03	ARM	1	
56	G01-4809-04	EXTEN.SPRING	1	
57	D39-0404-05	DAMPER	1	
58	LV45835-001A	FLOAT SPRING(R)	2	
60	LV3A271-001A	CL BASE ASSY	1	
811	-----	CLAMP ARM	1	NO SERVICE PART
816	-----	ROLLER GEAR	1	NO SERVICE PART
817	-----	WORM GEAR 1	1	NO SERVICE PART
829	-----	ROLLER	2	NO SERVICE PART
830	-----	ROLLER SHAFT	1	NO SERVICE PART
831	-----	R.RETAINER R	1	NO SERVICE PART
834	-----	SIN TWIST WIRE	1	NO SERVICE PART
835	-----	SIN TWIST WIRE	1	NO SERVICE PART
836	-----	SIN TWIST WIRE	2	NO SERVICE PART
845	-----	HC TURN TABLE	1	NO SERVICE PART
847	-----	CLAMPER	1	NO SERVICE PART
848	-----	WIRE HOLDER	1	NO SERVICE PART
851	-----	MD CHASSIS ASSY	1	NO SERVICE PART
852	-----	SPINDLE MOTOR	1	NO SERVICE PART
853	-----	CD MECHA PWB ASSY	1	NO SERVICE PART
859	-----	MOTOR	1	NO SERVICE PART

MODEL	MARK	MODEL	MARK	MODEL	MARK	MODEL	MARK
KDC-100UA	A1	KDC-100UA	M0	KDC-100UB	E5	KDC-100UB	H1
KDC-100UB	M2	KDC-100UBS	E7	KDC-100UG	E4	KDC-100UG	M8
KDC-100UR	E3	KDC-100UR	M4	KDC-100UW	A2	KDC-100UW	M3
KDC-1010U	M6	KDC-10UR	E2	KDC-115U	K1	KDC-125U	K2
KDC-150RY	E6	KDC-151UBM	M7	KDC-161URM	M5	KDC-165U	K3
KDC-181UWM	M9	KDC-200UB	E1	KDC-230U	K4	KDC-MP165U	K0

Safe	Symbol No.	Parts No.	Parts Name	Description	QTY	Local
------	------------	-----------	------------	-------------	-----	-------

MAIN PWB ASSY (XJ1-095x-xx) <XJ1>

	IC161	TDA7718C	ANALOG IC		1	
△	IC301	JCV8034	IC		1	
	IC411	MFI337S395901	MCU IC		1	K3,E1,K4
△	IC540	MN6627553APA	IC		1	
△	IC601	TEF6657HN-X	IC		1	
△	IC701	R5S726A0D216FP	IC		1	
△	IC821	W3F-0110-00	ROM IC		1	
	IC831	BU4228F	ANALOG IC		1	
	IC841	BR24T02FJ-W-X	IC		1	
	IC851	BU1CTD3WG	MOS IC		1	
	IC861	MP9942AGJ	ANALOG IC		1	
	IC891	BD2242G-G	MOS IC		1	
△	IC901	LV5685PV-H	ANALOG IC		1	
	IC941	BU33TD3WG	MOS IC		1	
	Q250	LTC043TEB-X	DIGI TRANSISTOR		1	A1,M0,E5,H1,M2,E7,E4,M8,E3,M4,A2,M3,M6,K1,K2,E6,M7,M5,K3,M9,E1,K4,K0
	Q260	LTC043TEB-X	DIGI TRANSISTOR		1	A1,M0,E5,H1,M2,E7,E4,M8,E3,M4,A2,M3,M6,K1,K2,E6,M7,M5,K3,M9,E1,K4,K0
	Q270	LTA024EEB-X	DIGI TRANSISTOR		1	
	Q271	LSAR523UBFS8	TRANSISTOR		1	
	Q272	LTC024EEB-X	DIGI TRANSISTOR		1	
	Q273	LTA024EEB-X	DIGI TRANSISTOR		1	A1,M0,E5,H1,M2,E7,E4,M8,E3,M4,A2,M3,M6,K1,K2,E6,M7,M5,K3,M9,E1,K4,K0
	Q320	LTC043TEB-X	DIGI TRANSISTOR		1	A1,M0,H1,M2,M8,M4,A2,M3,M6,E6,M7,M5,M9,K0
	Q330	LTC043TEB-X	DIGI TRANSISTOR		1	A1,M0,H1,M2,M8,M4,A2,M3,M6,E6,M7,M5,M9,K0
	Q540	2SA2188/E-X	TRANSISTOR		1	
	Q701	LTA014YEB-X	DIGI TRANSISTOR		1	
	D100	RSB6.8SM-X	BP Z DIODE		1	
	D101	RSB6.8SM-X	BP Z DIODE		1	
	D270	BAW56-TP-X	SI DIODE		1	
	D271	BAW56-TP-X	SI DIODE		1	A1,M0,E5,H1,M2,E7,E4,M8,E3,M4,A2,M3,M6,K1,K2,E6,M7,M5,K3,M9,E1,K4,K0
	D273	DA2J101	DIODE		1	
	D370	BAW56-TP-X	SI DIODE		1	
	D390	MBRX130	SCHOTTKY DIODE		1	
	D391	MBR0530-X	SB DIODE		1	
	D400	RB521SM-30-X	SB DIODE		1	
	D401	DZ2J051M	ZENER DIODE		1	
	D861	DB22306	SCHOTTKY DIODE		1	
	D902	SK34A-L-X	SB DIODE		1	
	D903	SK34A-L-X	SB DIODE		1	
△	D990	1N5401-BPC04	SI DIODE		1	
	C100	CK73GXR1H104K	C CAPACITOR	0.1uF 50V K	1	
	C101	CK73GBB1H472K	C CAPACITOR	4700pF 50V K	1	
	C102	CK73GBB1H472K	C CAPACITOR	4700pF 50V K	1	
	C103	CK73GXR1C105K	C CAPACITOR	1uF 16V K	1	
	C104	CK73GXR1C105K	C CAPACITOR	1uF 16V K	1	
	C105	CK73GXR1C105K	C CAPACITOR	1uF 16V K	1	
	C161	CK73GXR1A105K	C CAPACITOR	1uF 10V K	1	
	C162	CK73GXR1A105K	C CAPACITOR	1uF 10V K	1	
	C163	CD04AV1V4R7M	E CAPACITOR	4.7uF 35V M	1	
	C164	CD04AV1V4R7M	E CAPACITOR	4.7uF 35V M	1	
	C165	CD04AV1C100M	E CAPACITOR	10uF 16V M	1	
	C167	CK73GXR1A105K	C CAPACITOR	1uF 10V K	1	
	C168	CK73GXR1A105K	C CAPACITOR	1uF 10V K	1	
	C169	CK73GXR1A105K	C CAPACITOR	1uF 10V K	1	
	C171	CK73GXR1A105K	C CAPACITOR	1uF 10V K	1	
	C177	CK73GXR1A105K	C CAPACITOR	1uF 10V K	1	
	C251	CK73EBB1C475K	C CAPACITOR	4.7uF 16V K	1	A1,M0,E5,H1,M2,E7,E4,M8,E3,M4,A2,M3,M6,K1,K2,E6,M7,M5,K3,M9,E1,K4,K0
	C261	CK73EBB1C475K	C CAPACITOR	4.7uF 16V K	1	A1,M0,E5,H1,M2,E7,E4,M8,E3,M4,A2,M3,M6,K1,K2,E6,M7,M5,K3,M9,E1,K4,K0
	C303	CC73GCH1H820J	C CAPACITOR	82pF 50V J	1	
	C304	CD04AV1C470M	E CAPACITOR	47uF 16V M	1	
	C312	CK730AV1C105K	C CAPACITOR	1uF 16V K	1	
	C316	CK730AV1C224K	C CAPACITOR	0.22uF 16V K	1	
	C317	CK730AV1C224K	C CAPACITOR	0.22uF 16V K	1	
	C318	CK730AV1C224K	C CAPACITOR	0.22uF 16V K	1	
	C319	CK730AV1C224K	C CAPACITOR	0.22uF 16V K	1	
	C321	CK73EBB1C475K	C CAPACITOR	4.7uF 16V K	1	A1,M0,H1,M2,M8,M4,A2,M3,M6,E6,M7,M5,M9,K0
	C331	CK73EBB1C475K	C CAPACITOR	4.7uF 16V K	1	A1,M0,H1,M2,M8,M4,A2,M3,M6,E6,M7,M5,M9,K0

MODEL	MARK	MODEL	MARK	MODEL	MARK	MODEL	MARK
KDC-100UA	A1	KDC-100UA	M0	KDC-100UB	E5	KDC-100UB	H1
KDC-100UB	M2	KDC-100UBS	E7	KDC-100UG	E4	KDC-100UG	M8
KDC-100UR	E3	KDC-100UR	M4	KDC-100UW	A2	KDC-100UW	M3
KDC-1010U	M6	KDC-10UR	E2	KDC-115U	K1	KDC-125U	K2
KDC-150RY	E6	KDC-151UBM	M7	KDC-161URM	M5	KDC-165U	K3
KDC-181UWM	M9	KDC-200UB	E1	KDC-230U	K4	KDC-MP165U	K0

Safe	Symbol No.	Parts No.	Parts Name	Description	QTY	Local
	C368	CK73GXR1A105K	C CAPACITOR	1uF 10V K	1	
	C369	CK73FBB0J475K	C CAPACITOR	4.7uF 6.3V K	1	
	C370	CK73GXR1H104K	C CAPACITOR	0.1uF 50V K	1	
	C390	CK73FBB1H224K	C CAPACITOR	0.22uF 50V K	1	
	C391	CK73FBB1H224K	C CAPACITOR	0.22uF 50V K	1	
	C410	CK73GXR1H104K	C CAPACITOR	0.1uF 50V K	1	K3,E1,K4
	C510	CK73GBB1H471K	C CAPACITOR	470pF 50V K	1	
	C540	CK73GXR1H104K	C CAPACITOR	0.1uF 50V K	1	
	C541	CK73GXR1H104K	C CAPACITOR	0.1uF 50V K	1	
	C544	CK73GBB1H103K	C CAPACITOR	0.01uF 50V K	1	
	C545	CK73GBB1H103K	C CAPACITOR	0.01uF 50V K	1	
	C546	CK73GBB1H682K	C CAPACITOR	6800pF 50V K	1	
	C547	CK73GBB1H682K	C CAPACITOR	6800pF 50V K	1	
	C548	CK73FXR1C475K	C CAPACITOR	4.7uF 16V K	1	
	C549	CK73GXR1H104K	C CAPACITOR	0.1uF 50V K	1	
	C550	CK73GBB1C154K	C CAPACITOR	0.15uF 16V K	1	
	C552	CK73GBB1H682K	C CAPACITOR	6800pF 50V K	1	
	C553	CK73GXR1H104K	C CAPACITOR	0.1uF 50V K	1	
	C555	CK73GBB1H223K	C CAPACITOR	0.022uF 50V K	1	
	C556	CK73GBB1H332K	C CAPACITOR	3300pF 50V K	1	
	C557	CK73GBB1A334K	C CAPACITOR	0.33uF 10V K	1	
	C558	CK73FXR1A475K	C CAPACITOR	4.7uF 10V K	1	
	C559	CK73GXR1H104K	C CAPACITOR	0.1uF 50V K	1	
	C560	CK73GBB1H681K	C CAPACITOR	680pF 50V K	1	
	C561	CK73EXR1A106K	C CAPACITOR	10uF 10V K	1	
	C562	CK73GBB1H153K	C CAPACITOR	0.015uF 50V K	1	
	C563	CK73GXR1H104K	C CAPACITOR	0.1uF 50V K	1	
	C564	CK73GBB1H102K	C CAPACITOR	1000pF 50V K	1	
	C565	CK73GBB1E823K	C CAPACITOR	0.082uF 25V K	1	
	C567	CK73GBB1H102K	C CAPACITOR	1000pF 50V K	1	
	C568	CK73GBB1A334K	C CAPACITOR	0.33uF 10V K	1	
	C570	CK73GXR1H104K	C CAPACITOR	0.1uF 50V K	1	
	C571	CK73GXR1H104K	C CAPACITOR	0.1uF 50V K	1	
	C572	CK73FXR0J106K	C CAPACITOR	10uF 6.3V K	1	
	C573	CK73GXR1H104K	C CAPACITOR	0.1uF 50V K	1	
	C576	CK73GXR1H104K	C CAPACITOR	0.1uF 50V K	1	
	C577	CC73GCH1H100D	C CAPACITOR	10pF 50V D	1	
	C578	CC73GCH1H100D	C CAPACITOR	10pF 50V D	1	
	C579	CK73GXR1H104K	C CAPACITOR	0.1uF 50V K	1	
	C583	CK73GBB1H821K	C CAPACITOR	820pF 50V K	1	
	C584	CK73GBB1H821K	C CAPACITOR	820pF 50V K	1	
	C588	CK73GBB1H681K	C CAPACITOR	680pF 50V K	1	
	C589	CK73GBB1H681K	C CAPACITOR	680pF 50V K	1	
	C601	CK73FXR0J106K	C CAPACITOR	10uF 6.3V K	1	
	C602	CK73FXR0J106K	C CAPACITOR	10uF 6.3V K	1	
	C603	CK73GXR1H104K	C CAPACITOR	0.1uF 50V K	1	
	C604	CK73GBB1H152K	C CAPACITOR	1500pF 50V K	1	
	C605	CK73GBB1H102K	C CAPACITOR	1000pF 50V K	1	
	C606	CC73GCH1H090D	C CAPACITOR	9pF 50V D	1	
△	C607	CC73GCH1H010C	C CAPACITOR	1pF 50V C	1	
	C608	CK73GBB1H102K	C CAPACITOR	1000pF 50V K	1	
	C609	CK73GXR1H104K	C CAPACITOR	0.1uF 50V K	1	
△	C610	CC73GCH1H120J	C CAPACITOR	12pF 50V J	1	
	C611	CC73GCH1H010C	C CAPACITOR	1pF 50V C	1	
	C612	CK73GBB1H103K	C CAPACITOR	0.01uF 50V K	1	
	C614	CC73GCH1H220J	C CAPACITOR	22pF 50V J	1	
	C615	CC73GCH1H330J	C CAPACITOR	33pF 50V J	1	
	C616	CK73GBB1H102K	C CAPACITOR	1000pF 50V K	1	
	C617	CK73GBB1C224K	C CAPACITOR	0.22uF 16V K	1	
	C618	CK73GXR1H104K	C CAPACITOR	0.1uF 50V K	1	
	C619	CK73GXR1H104K	C CAPACITOR	0.1uF 50V K	1	
	C624	CK73GXR1H104K	C CAPACITOR	0.1uF 50V K	1	
	C700	CK73GXR1H104K	C CAPACITOR	0.1uF 50V K	1	
	C701	CK73GXR1H104K	C CAPACITOR	0.1uF 50V K	1	
	C702	CK73GXR1H104K	C CAPACITOR	0.1uF 50V K	1	
	C703	CK73GXR1H104K	C CAPACITOR	0.1uF 50V K	1	
	C704	CK73GXR1H104K	C CAPACITOR	0.1uF 50V K	1	
	C705	CK73GXR1H104K	C CAPACITOR	0.1uF 50V K	1	
	C706	CK73GXR1H104K	C CAPACITOR	0.1uF 50V K	1	
	C707	CC73GCH1H100D	C CAPACITOR	10pF 50V D	1	
	C708	CC73GCH1H100D	C CAPACITOR	10pF 50V D	1	
	C709	CK73GXR1H104K	C CAPACITOR	0.1uF 50V K	1	
	C710	CK73GXR1H104K	C CAPACITOR	0.1uF 50V K	1	
	C711	CK73GBB1H472K	C CAPACITOR	4700pF 50V K	1	
	C712	CK73GXR1H104K	C CAPACITOR	0.1uF 50V K	1	
	C713	CK73GXR1H104K	C CAPACITOR	0.1uF 50V K	1	
	C716	CK73GXR1H104K	C CAPACITOR	0.1uF 50V K	1	
	C717	CK73GXR1H104K	C CAPACITOR	0.1uF 50V K	1	
	C718	CK73GXR1H104K	C CAPACITOR	0.1uF 50V K	1	
	C722	CK73GBB1H472K	C CAPACITOR	4700pF 50V K	1	
	C723	CK73GBB1H472K	C CAPACITOR	4700pF 50V K	1	
	C724	CK73GBB1H472K	C CAPACITOR	4700pF 50V K	1	
	C820	CK73GBB1H472K	C CAPACITOR	4700pF 50V K	1	
	C830	CK73GBB1H682K	C CAPACITOR	6800pF 50V K	1	
	C831	CK73GXR1H104K	C CAPACITOR	0.1uF 50V K	1	
	C832	CK73GXR1H104K	C CAPACITOR	0.1uF 50V K	1	
	C840	CK73GBB1C473K	C CAPACITOR	0.047uF 16V K	1	
	C850	CK73GBB1C474K	C CAPACITOR	0.47uF 16V K	1	

MODEL	MARK	MODEL	MARK	MODEL	MARK	MODEL	MARK
KDC-100UA	A1	KDC-100UA	M0	KDC-100UB	E5	KDC-100UB	H1
KDC-100UB	M2	KDC-100UBS	E7	KDC-100UG	E4	KDC-100UG	M8
KDC-100UR	E3	KDC-100UR	M4	KDC-100UW	A2	KDC-100UW	M3
KDC-1010U	M6	KDC-10UR	E2	KDC-115U	K1	KDC-125U	K2
KDC-150RY	E6	KDC-151UBM	M7	KDC-161URM	M5	KDC-165U	K3
KDC-181UWM	M9	KDC-200UB	E1	KDC-230U	K4	KDC-MP165U	K0

Safe	Symbol No.	Parts No.	Parts Name	Description	QTY	Local
	C851	CK73GBB1C474K	C CAPACITOR	0.47uF 16V K	1	
	C852	CD04AS0J101M	E CAPACITOR	100uF 6.3V M	1	
	C860	CK73GXR1H104K	C CAPACITOR	0.1uF 50V K	1	
	C861	CK73EXR1A106K	C CAPACITOR	10uF 10V K	1	
	C862	CK73EXR1A106K	C CAPACITOR	10uF 10V K	1	
	C863	CK73GBB1C224K	C CAPACITOR	0.22uF 16V K	1	
	C864	CK73GXR1H104K	C CAPACITOR	0.1uF 50V K	1	
	C866	CK73EXR1A106K	C CAPACITOR	10uF 10V K	1	
	C867	CK73EXR1A106K	C CAPACITOR	10uF 10V K	1	
	C868	QE20850-157Z	E CAPACITOR	150uF	1	
	C869	CK73GBB1C224K	C CAPACITOR	0.22uF 16V K	1	
	C870	CC73GCH1H150J	C CAPACITOR	15pF 50V J	1	
	C891	CK73GXR1H104K	C CAPACITOR	0.1uF 50V K	1	
	C892	CK73GXR1H104K	C CAPACITOR	0.1uF 50V K	1	
	C893	CK73GXR0J106M	C CAPACITOR	10uF 6.3V M	1	
	C903	CD04AS1C220M	E CAPACITOR	22uF 16V M	1	
	C904	CK73GXR1A105K	C CAPACITOR	1uF 10V K	1	
	C905	CD04AR1C471M	E CAPACITOR	470uF 16V M	1	
	C906	CK73GXR1A105K	C CAPACITOR	1uF 10V K	1	
	C907	CD04AS0J101M	E CAPACITOR	100uF 6.3V M	1	
	C908	CK73GXR1A105K	C CAPACITOR	1uF 10V K	1	
	C909	CK73GXR1H104K	C CAPACITOR	0.1uF 50V K	1	
	C911	CK73GXR1H104K	C CAPACITOR	0.1uF 50V K	1	
	C912	CK73GXR1A105K	C CAPACITOR	1uF 10V K	1	
	C914	CK73GXR1A105K	C CAPACITOR	1uF 10V K	1	
	C916	CK73GBB1H103K	C CAPACITOR	0.01uF 50V K	1	
	C940	CK73FXR0J106K	C CAPACITOR	10uF 6.3V K	1	
	C941	CK73GXR1A105K	C CAPACITOR	1uF 10V K	1	
	C942	CK73FXR0J106K	C CAPACITOR	10uF 6.3V K	1	
	C990	QE20981-228	E CAPACITOR	2200uF	1	
	C1000	CK73GBB1H472K	C CAPACITOR	4700pF 50V K	1	
	C1010	CK73GBB1H471K	C CAPACITOR	470pF 50V K	1	A1,M0,H1,M2,M8,M4,A2,M3,M6,K1,M7,M5,M9,K0
	C1011	CK73GBB1H471K	C CAPACITOR	470pF 50V K	1	A1,M0,H1,M2,M8,M4,A2,M3,M6,K1,M7,M5,M9,K0
	C1012	CK73GBB1H471K	C CAPACITOR	470pF 50V K	1	A1,M0,H1,M2,M8,M4,A2,M3,M6,K1,M7,M5,M9,K0
	C1013	CK73GBB1H471K	C CAPACITOR	470pF 50V K	1	A1,M0,H1,M2,M8,M4,A2,M3,M6,K1,M7,M5,M9,K0
	C1014	CK73GBB1H471K	C CAPACITOR	470pF 50V K	1	A1,M0,H1,M2,M8,M4,A2,M3,M6,K1,M7,M5,M9,K0
	C1015	CK73GBB1H471K	C CAPACITOR	470pF 50V K	1	A1,M0,H1,M2,M8,M4,A2,M3,M6,K1,M7,M5,M9,K0
	C1016	CK73GBB1H471K	C CAPACITOR	470pF 50V K	1	A1,M0,H1,M2,M8,M4,A2,M3,M6,K1,M7,M5,M9,K0
	C1017	CK73GBB1H471K	C CAPACITOR	470pF 50V K	1	A1,M0,H1,M2,M8,M4,A2,M3,M6,K1,M7,M5,M9,K0
	C1022	CK73GBB1H472K	C CAPACITOR	4700pF 50V K	1	
	C1023	CK73GBB1H472K	C CAPACITOR	4700pF 50V K	1	
	C1028	CK73GBB1H472K	C CAPACITOR	4700pF 50V K	1	
	C1033	CK73GBB1H472K	C CAPACITOR	4700pF 50V K	1	
	C1034	CK73GBB1H472K	C CAPACITOR	4700pF 50V K	1	
	C1035	CK73GBB1H472K	C CAPACITOR	4700pF 50V K	1	
	C1051	CK73GBB1H221K	C CAPACITOR	220pF 50V K	1	E5,E7,E4,E3,E2,K2,E6,K3,E1,K4
	C1054	CK73GBB1H223K	C CAPACITOR	0.022uF 50V K	1	E5,E7,E4,E3,E2,K2,E6,K3,E1,K4
	C1320	CK73GXR1H104K	C CAPACITOR	0.1uF 50V K	1	
	C1600	CK73GXR1H104K	C CAPACITOR	0.1uF 50V K	1	
	C1601	CK73GXR1H104K	C CAPACITOR	0.1uF 50V K	1	A1,M0,E5,H1,M2,E7,E4,M8,E3,M4,A2,M3,M6,K1,K2,E6,M7,M5,K3,M9,E1,K4,K0
	C1602	CK73GXR1H104K	C CAPACITOR	0.1uF 50V K	1	
	C1603	CK73GXR1H104K	C CAPACITOR	0.1uF 50V K	1	A1,M0,E5,H1,M2,E7,E4,M8,E3,M4,A2,M3,M6,K1,K2,E6,M7,M5,K3,M9,E1,K4,K0
	C1604	CK73GXR1H104K	C CAPACITOR	0.1uF 50V K	1	A1,M0,E5,H1,M2,E7,E4,M8,E3,M4,A2,M3,M6,K1,K2,E6,M7,M5,K3,M9,E1,K4,K0
	C1605	CK73GXR1H104K	C CAPACITOR	0.1uF 50V K	1	
	C1900	CK73GBB1H103K	C CAPACITOR	0.01uF 50V K	1	
	C1901	CK73GBB1H471K	C CAPACITOR	470pF 50V K	1	
	R100	RK73GB2A471J	MG RESISTOR	470Ω 1/10W J	1	
	R103	RK73GB2A473J	MG RESISTOR	47kΩ 1/10W J	1	
	R104	RK73GB2A473J	MG RESISTOR	47kΩ 1/10W J	1	
	R167	RK73GB2A000J	MG RESISTOR	0Ω 1/10W J	1	
	R168	RK73GB2A101J	MG RESISTOR	100Ω 1/10W J	1	
	R169	RK73GB2A101J	MG RESISTOR	100Ω 1/10W J	1	
	R170	RK73GB2A000J	MG RESISTOR	0Ω 1/10W J	1	
	R171	RK73GB2A103J	MG RESISTOR	10kΩ 1/10W J	1	
	R250	RK73GB2A181J	MG RESISTOR	180Ω 1/10W J	1	A1,M0,E5,H1,M2,E7,E4,M8,E3,M4,A2,M3,M6,K1,K2,E6,M7,M5,K3,M9,E1,K4,K0
	R251	RK73GB2A223J	MG RESISTOR	22kΩ 1/10W J	1	A1,M0,E5,H1,M2,E7,E4

MODEL	MARK	MODEL	MARK	MODEL	MARK	MODEL	MARK
KDC-100UA	A1	KDC-100UA	M0	KDC-100UB	E5	KDC-100UB	H1
KDC-100UB	M2	KDC-100UBS	E7	KDC-100UG	E4	KDC-100UG	M8
KDC-100UR	E3	KDC-100UR	M4	KDC-100UW	A2	KDC-100UW	M3
KDC-1010U	M6	KDC-10UR	E2	KDC-115U	K1	KDC-125U	K2
KDC-150RY	E6	KDC-151UBM	M7	KDC-161URM	M5	KDC-165U	K3
KDC-181UWM	M9	KDC-200UB	E1	KDC-230U	K4	KDC-MP165U	K0

Safe	Symbol No.	Parts No.	Parts Name	Description	QTY	Local
						,M8,E3,M4,A2,M3,M6,K1, K2,E6,M7,M5,K3,M9,E1,K 4,K0
	R252	RK73GB2A331J	MG RESISTOR	330Ω 1/10W J	1	A1,M0,E5,H1,M2,E7,E4 ,M8,E3,M4,A2,M3,M6,K1, K2,E6,M7,M5,K3,M9,E1,K 4,K0
	R260	RK73GB2A181J	MG RESISTOR	180Ω 1/10W J	1	A1,M0,E5,H1,M2,E7,E4 ,M8,E3,M4,A2,M3,M6,K1, K2,E6,M7,M5,K3,M9,E1,K 4,K0
	R261	RK73GB2A223J	MG RESISTOR	22kΩ 1/10W J	1	A1,M0,E5,H1,M2,E7,E4 ,M8,E3,M4,A2,M3,M6,K1, K2,E6,M7,M5,K3,M9,E1,K 4,K0
	R262	RK73GB2A331J	MG RESISTOR	330Ω 1/10W J	1	A1,M0,E5,H1,M2,E7,E4 ,M8,E3,M4,A2,M3,M6,K1, K2,E6,M7,M5,K3,M9,E1,K 4,K0
	R270	RK73GB2A104J	MG RESISTOR	100kΩ 1/10W J	1	
	R271	RK73GB2A331J	MG RESISTOR	330Ω 1/10W J	1	
	R273	RK73GB2A223J	MG RESISTOR	22kΩ 1/10W J	1	
	R302	RK73GB2A222J	MG RESISTOR	2.2kΩ 1/10W J	1	
	R303	RK73EB2E5R1J	MG RESISTOR	5.1Ω 1/4W J	1	
	R304	RK73GB2A473J	MG RESISTOR	47kΩ 1/10W J	1	
	R320	RK73GB2A181J	MG RESISTOR	180Ω 1/10W J	1	A1,M0,H1,M2,M8,M4,A2 ,M3,M6,E6,M7,M5,M9,K0
	R321	RK73GB2A223J	MG RESISTOR	22kΩ 1/10W J	1	A1,M0,H1,M2,M8,M4,A2 ,M3,M6,E6,M7,M5,M9,K0
	R323	RK73GB2A331J	MG RESISTOR	330Ω 1/10W J	1	A1,M0,H1,M2,M8,M4,A2 ,M3,M6,E6,M7,M5,M9,K0
	R330	RK73GB2A181J	MG RESISTOR	180Ω 1/10W J	1	A1,M0,H1,M2,M8,M4,A2 ,M3,M6,E6,M7,M5,M9,K0
	R331	RK73GB2A223J	MG RESISTOR	22kΩ 1/10W J	1	A1,M0,H1,M2,M8,M4,A2 ,M3,M6,E6,M7,M5,M9,K0
	R333	RK73GB2A331J	MG RESISTOR	330Ω 1/10W J	1	A1,M0,H1,M2,M8,M4,A2 ,M3,M6,E6,M7,M5,M9,K0
	R370	RK73GB2A683J	MG RESISTOR	68kΩ 1/10W J	1	
	R371	RK73GB2A123J	MG RESISTOR	12kΩ 1/10W J	1	
	R372	RK73GB2A103J	MG RESISTOR	10kΩ 1/10W J	1	
	R381	RK73EB2E000J	MG RESISTOR	0Ω 1/4W J	1	E5,E7,E4,E3,E2,E6,M7 ,M5,M9,E1
	R390	RK73EB2E472J	MG RESISTOR	4.7kΩ 1/4W J	1	
	R400	RK73GB2A102J	MG RESISTOR	1kΩ 1/10W J	1	
	R402	RK73GB2A225J	MG RESISTOR	2.2MΩ 1/10W J	1	A1,M0,H1,M2,M8,M4,A2 ,M3,M6,K1,M7,M5,M9,K4, K0
	R403	RK73GB2A473J	MG RESISTOR	47kΩ 1/10W J	1	E5,E7,E4,E3,E2,K2,E6 ,K3,E1
	R410	RK73GB2A101J	MG RESISTOR	100Ω 1/10W J	1	K3,E1,K4
	R411	RK73GB2A101J	MG RESISTOR	100Ω 1/10W J	1	K3,E1,K4
	R412	RK73GB2A472J	MG RESISTOR	4.7kΩ 1/10W J	1	K3,E1,K4
	R413	RK73GB2A472J	MG RESISTOR	4.7kΩ 1/10W J	1	K3,E1,K4
	R414	RK73GB2A472J	MG RESISTOR	4.7kΩ 1/10W J	1	K3,E1,K4
	R421	RK73GB2A473J	MG RESISTOR	47kΩ 1/10W J	1	
	R541	RK73GB2A562J	MG RESISTOR	5.6kΩ 1/10W J	1	
	R542	RK73GB2A223J	MG RESISTOR	22kΩ 1/10W J	1	
	R543	RK73GB2A562J	MG RESISTOR	5.6kΩ 1/10W J	1	
	R544	RK73GB2A183J	MG RESISTOR	18kΩ 1/10W J	1	
	R546	RK73GB2A103J	MG RESISTOR	10kΩ 1/10W J	1	
	R548	RK73GB2A123J	MG RESISTOR	12kΩ 1/10W J	1	
	R550	RK73GB2A222J	MG RESISTOR	2.2kΩ 1/10W J	1	
	R551	RK73GB2A222J	MG RESISTOR	2.2kΩ 1/10W J	1	
	R554	RK73GB2A225J	MG RESISTOR	2.2MΩ 1/10W J	1	
	R556	RK73GB2A472J	MG RESISTOR	4.7kΩ 1/10W J	1	
	R557	RK73EB2E4R7J	MG RESISTOR	4.7Ω 1/4W J	1	
	R558	RK73GB2A821J	MG RESISTOR	820Ω 1/10W J	1	
	R559	RK73GB2A272J	MG RESISTOR	2.7kΩ 1/10W J	1	
	R562	RK73EB2E823J	MG RESISTOR	82kΩ 1/4W J	1	
	R567	RK73GB2A101J	MG RESISTOR	100Ω 1/10W J	1	
	R569	RK73EB2E102J	MG RESISTOR	1kΩ 1/4W J	1	
	R570	RK73GB2A101J	MG RESISTOR	100Ω 1/10W J	1	
	R571	RK73GB2A103J	MG RESISTOR	10kΩ 1/10W J	1	
	R572	RK73GB2A102J	MG RESISTOR	1kΩ 1/10W J	1	
	R573	RK73GB2A105J	MG RESISTOR	1MΩ 1/10W J	1	
	R579	RK73GB2A222J	MG RESISTOR	2.2kΩ 1/10W J	1	
	R580	RK73GB2A222J	MG RESISTOR	2.2kΩ 1/10W J	1	
	R587	RK73GB2A220J	MG RESISTOR	22Ω 1/10W J	1	
	R589	RK73GB2A821J	MG RESISTOR	820Ω 1/10W J	1	
	R590	RK73GB2A821J	MG RESISTOR	820Ω 1/10W J	1	
	R600	RK73FB2B102J	MG RESISTOR	1kΩ 1/8W J	1	
	R601	RK73GB2A101J	MG RESISTOR	100Ω 1/10W J	1	
	R602	RK73GB2A820J	MG RESISTOR	82Ω 1/10W J	1	
	R603	RK73GB2A105J	MG RESISTOR	1MΩ 1/10W J	1	
	R604	RK73GB2A105J	MG RESISTOR	1MΩ 1/10W J	1	
	R605	RK73GB2A4R7J	MG RESISTOR	4.7Ω 1/10W J	1	
	R611	RK73GB2A101J	MG RESISTOR	100Ω 1/10W J	1	
	R701	RK73GB2A162J	MG RESISTOR	1.6kΩ 1/10W J	1	

MODEL	MARK	MODEL	MARK	MODEL	MARK	MODEL	MARK
KDC-100UA	A1	KDC-100UA	M0	KDC-100UB	E5	KDC-100UB	H1
KDC-100UB	M2	KDC-100UBS	E7	KDC-100UG	E4	KDC-100UG	M8
KDC-100UR	E3	KDC-100UR	M4	KDC-100UW	A2	KDC-100UW	M3
KDC-1010U	M6	KDC-10UR	E2	KDC-115U	K1	KDC-125U	K2
KDC-150RY	E6	KDC-151UBM	M7	KDC-161URM	M5	KDC-165U	K3
KDC-181UWM	M9	KDC-200UB	E1	KDC-230U	K4	KDC-MP165U	K0

Safe	Symbol No.	Parts No.	Parts Name	Description	QTY	Local
	R702	RK73GB2A472J	MG RESISTOR	4.7kΩ 1/10W J	1	
	R703	RK73GB2A162J	MG RESISTOR	1.6kΩ 1/10W J	1	
	R704	RK73GB2A162J	MG RESISTOR	1.6kΩ 1/10W J	1	
	R705	RK73GB2A103J	MG RESISTOR	10kΩ 1/10W J	1	
	R707	RK73GB2A162J	MG RESISTOR	1.6kΩ 1/10W J	1	
	R709	RK73GB2A332J	MG RESISTOR	3.3kΩ 1/10W J	1	
	R711	RK73GB2A222J	MG RESISTOR	2.2kΩ 1/10W J	1	
	R712	RK73GB2A102J	MG RESISTOR	1kΩ 1/10W J	1	
	R713	RK73GB2A222J	MG RESISTOR	2.2kΩ 1/10W J	1	
	R714	RK73GB2A102J	MG RESISTOR	1kΩ 1/10W J	1	
	R715	RK73GB2A222J	MG RESISTOR	2.2kΩ 1/10W J	1	
	R716	RK73GB2A222J	MG RESISTOR	2.2kΩ 1/10W J	1	
	R717	RK73GB2A104J	MG RESISTOR	100kΩ 1/10W J	1	
	R719	RK73GB2A911J	MG RESISTOR	910Ω 1/10W J	1	
	R720	RK73GB2A473J	MG RESISTOR	47kΩ 1/10W J	1	
	R721	RK73GB2A473J	MG RESISTOR	47kΩ 1/10W J	1	
	R722	RK73GB2A911J	MG RESISTOR	910Ω 1/10W J	1	
	R723	RK73GB2A473J	MG RESISTOR	47kΩ 1/10W J	1	
	R724	RK73GB2A105J	MG RESISTOR	1MΩ 1/10W J	1	
	R725	RK73GB2A332J	MG RESISTOR	3.3kΩ 1/10W J	1	
	R726	RK73GB2A220J	MG RESISTOR	22Ω 1/10W J	1	
	R727	RK73GB2A153J	MG RESISTOR	15kΩ 1/10W J	1	
	R728	RK73GB2A220J	MG RESISTOR	22Ω 1/10W J	1	
	R729	RK73GB2A153J	MG RESISTOR	15kΩ 1/10W J	1	
	R730	RK73GB2A473J	MG RESISTOR	47kΩ 1/10W J	1	
	R731	RK73GB2A473J	MG RESISTOR	47kΩ 1/10W J	1	
	R732	RK73GB2A393J	MG RESISTOR	39kΩ 1/10W J	1	E5,E7,E4,E3,E6,K3,K4
	R732	RK73GB2A273J	MG RESISTOR	27kΩ 1/10W J	1	M7,M5,M9
	R732	RK73GB2A333J	MG RESISTOR	33kΩ 1/10W J	1	E1,K0
	R733	RK73GB2A473J	MG RESISTOR	47kΩ 1/10W J	1	A1,M0,H1,M2,M8,M4,A2
	R733	RK73GB2A822J	MG RESISTOR	8.2kΩ 1/10W J	1	,M3,M6,E2,K1,K2
	R733	RK73GB2A223J	MG RESISTOR	22kΩ 1/10W J	1	E5,E7,E4,E3,E6,K3,K4
	R733	RK73GB2A153J	MG RESISTOR	15kΩ 1/10W J	1	M7,M5,M9
	R734	RK73GB2A333J	MG RESISTOR	33kΩ 1/10W J	1	E1,K0
	R734	RK73GB2A393J	MG RESISTOR	39kΩ 1/10W J	1	A1,M0,H1,M2,M8,M4,A2
	R734	RK73GB2A393J	MG RESISTOR	39kΩ 1/10W J	1	,M3,M6
	R735	RK73GB2A153J	MG RESISTOR	15kΩ 1/10W J	1	E5,E7,E4,E3,E2,E6,M7
	R735	RK73GB2A822J	MG RESISTOR	8.2kΩ 1/10W J	1	,M5,M9,E1
	R735	RK73GB2A473J	MG RESISTOR	47kΩ 1/10W J	1	A1,M0,H1,M2,M8,M4,A2
	R735	RK73GB2A473J	MG RESISTOR	47kΩ 1/10W J	1	,M3,M6
	R735	RK73GB2A822J	MG RESISTOR	8.2kΩ 1/10W J	1	E5,E7,E4,E3,E2,E6,M7
	R735	RK73GB2A473J	MG RESISTOR	47kΩ 1/10W J	1	,M5,M9,E1
	R735	RK73GB2A473J	MG RESISTOR	47kΩ 1/10W J	1	K1,K2,K3,K4,K0
	R743	RK73GB2A473J	MG RESISTOR	47kΩ 1/10W J	1	
	R744	RK73GB2A473J	MG RESISTOR	47kΩ 1/10W J	1	
	R745	RK73EB2E222J	MG RESISTOR	2.2kΩ 1/4W J	1	
	R746	RK73GB2A472J	MG RESISTOR	4.7kΩ 1/10W J	1	
	R747	RK73GB2A472J	MG RESISTOR	4.7kΩ 1/10W J	1	
	R748	RK73GB2A472J	MG RESISTOR	4.7kΩ 1/10W J	1	
	R749	RK73GB2A473J	MG RESISTOR	47kΩ 1/10W J	1	
	R750	RK73GB2A101J	MG RESISTOR	100Ω 1/10W J	1	
	R751	RK73GB2A473J	MG RESISTOR	47kΩ 1/10W J	1	
	R752	RK73GB2A101J	MG RESISTOR	100Ω 1/10W J	1	
	R753	RK73EB2E102J	MG RESISTOR	1kΩ 1/4W J	1	
	R754	RK73GB2A100J	MG RESISTOR	10Ω 1/10W J	1	
	R755	NQR0713-001X	FERRITE BEADS		1	
	R756	RK73GB2A473J	MG RESISTOR	47kΩ 1/10W J	1	
	R757	RK73GB2A473J	MG RESISTOR	47kΩ 1/10W J	1	
	R758	RK73GB2A473J	MG RESISTOR	47kΩ 1/10W J	1	
	R760	RK73GB2A473J	MG RESISTOR	47kΩ 1/10W J	1	
	R761	RK73GB2A473J	MG RESISTOR	47kΩ 1/10W J	1	
	R762	RK73GB2A473J	MG RESISTOR	47kΩ 1/10W J	1	
	R763	RK73GB2A472J	MG RESISTOR	4.7kΩ 1/10W J	1	
	R764	RK73GB2A472J	MG RESISTOR	4.7kΩ 1/10W J	1	
	R820	RK73EB2E473J	MG RESISTOR	47kΩ 1/4W J	1	
	R821	RK73GB2A473J	MG RESISTOR	47kΩ 1/10W J	1	
	R822	RK73GB2A473J	MG RESISTOR	47kΩ 1/10W J	1	
	R830	RK73EB2E101J	MG RESISTOR	100Ω 1/4W J	1	
	R840	RK73GB2A101J	MG RESISTOR	100Ω 1/10W J	1	
	R841	RK73GB2A101J	MG RESISTOR	100Ω 1/10W J	1	
	R850	RK73EB2E000J	MG RESISTOR	0Ω 1/4W J	1	
	R861	RK73GB2A200J	MG RESISTOR	20Ω 1/10W J	1	
	R864	RK73GB2A393J	MG RESISTOR	39kΩ 1/10W J	1	
	R865	RK73GH2A683D	MG RESISTOR	68kΩ 1/10W D	1	
	R867	RK73GH2A393D	MG RESISTOR	39kΩ 1/10W D	1	
	R868	RK73GH2A183D	MG RESISTOR	18kΩ 1/10W D	1	
	R890	RK73GH2A163D	MG RESISTOR	16kΩ 1/10W D	1	
	R892	RK73GB2A222J	MG RESISTOR	2.2kΩ 1/10W J	1	
	R894	RK73GB2A000J	MG RESISTOR	0Ω 1/10W J	1	
	R900	RK73EB2E473J	MG RESISTOR	47kΩ 1/4W J	1	
	R901	RK73EB2E473J	MG RESISTOR	47kΩ 1/4W J	1	
	R902	RK73EB2E682J	MG RESISTOR	6.8kΩ 1/4W J	1	
	R903	RK73EB2E682J	MG RESISTOR	6.8kΩ 1/4W J	1	
	R905	RK73GB2A101J	MG RESISTOR	100Ω 1/10W J	1	
	R940	RK73EB2E100J	MG RESISTOR	10Ω 1/4W J	1	
	R1006	RK73GB2A000J	MG RESISTOR	0Ω 1/10W J	1	
	R1017	RK73GB2A000J	MG RESISTOR	0Ω 1/10W J	1	
	R1029	RK73EB2E000J	MG RESISTOR	0Ω 1/4W J	1	

MODEL	MARK	MODEL	MARK	MODEL	MARK	MODEL	MARK
KDC-100UA	A1	KDC-100UA	M0	KDC-100UB	E5	KDC-100UB	H1
KDC-100UB	M2	KDC-100UBS	E7	KDC-100UG	E4	KDC-100UG	M8
KDC-100UR	E3	KDC-100UR	M4	KDC-100UW	A2	KDC-100UW	M3
KDC-1010U	M6	KDC-10UR	E2	KDC-115U	K1	KDC-125U	K2
KDC-150RY	E6	KDC-151UBM	M7	KDC-161URM	M5	KDC-165U	K3
KDC-181UWM	M9	KDC-200UB	E1	KDC-230U	K4	KDC-MP165U	K0

Safe	Symbol No.	Parts No.	Parts Name	Description	QTY	Local
	R1036	RK73GB2A000J	MG RESISTOR	0Ω 1/10W J	1	
	R1043	RK73GB2A000J	MG RESISTOR	0Ω 1/10W J	1	
	R1045	CK73GBB1H471K	C CAPACITOR	470pF 50V K	1	
	R1047	RK73EB2E000J	MG RESISTOR	0Ω 1/4W J	1	
	R1049	RK73EB2E000J	MG RESISTOR	0Ω 1/4W J	1	
	R1051	RK73GB2A000J	MG RESISTOR	0Ω 1/10W J	1	E5,E7,E4,E3,E2,K2,E6,K3,E1,K4
	R1064	RK73GB2A100J	MG RESISTOR	10Ω 1/10W J	1	
	R1065	RK73GB2A100J	MG RESISTOR	10Ω 1/10W J	1	
	R1070	RK73GB2A102J	MG RESISTOR	1kΩ 1/10W J	1	
	R1071	RK73GB2A000J	MG RESISTOR	0Ω 1/10W J	1	A1,M0,E5,H1,M2,E7,E4,M8,E3,M4,A2,M3,M6,K1,K2,E6,M7,M5,K3,M9,E1,K4,K0
	R1080	RK73GB2A000J	MG RESISTOR	0Ω 1/10W J	1	
	R1091	RK73GB2A000J	MG RESISTOR	0Ω 1/10W J	1	
	R1160	RK73EB2E000J	MG RESISTOR	0Ω 1/4W J	1	
	R1300	NRZ0084-0R0X	MG RESISTOR	0Ω	1	
	R1600	RK73EB2E000J	MG RESISTOR	0Ω 1/4W J	1	
	R1715	RK73EB2E000J	MG RESISTOR	0Ω 1/4W J	1	
	R1717	RK73EB2E000J	MG RESISTOR	0Ω 1/4W J	1	
	R1861	RK73EB2E000J	MG RESISTOR	0Ω 1/4W J	1	
	RA580	RK74GB1J471J	NET RESISTOR	470Ω 1/16W J	1	
	RA701	RK74GB1J473J	NET RESISTOR	47kΩ 1/16W J	1	
	L540	NQR0713-001X	FERRITE BEADS		1	
	L574	NQR0713-001X	FERRITE BEADS		1	
	L600	LR7320AD4R7M	CHIP INDUCTOR	4.7uH	1	
	L601	LK73G0BE4R7K	M.CHIP INDUCTOR		1	
	L602	LK73G0BER47K	M.CHIP INDUCTOR		1	
	L603	NQLM93K-R10X	INDUCTOR	0.1uH K	1	
	L604	LK73G0BE1R0K	M.CHIP INDUCTOR		1	
	L605	LK73G0BER22K	M.CHIP INDUCTOR		1	
	L606	LK73G0BER12K	M.CHIP INDUCTOR		1	
	L607	LK73G0BER15K	M.CHIP INDUCTOR		1	
	L700	NQR0713-001X	FERRITE BEADS		1	
	L701	LB73G0BK-006	CHIP FERRITE		1	
	L709	NQR0713-001X	FERRITE BEADS		1	
	L710	NQR0713-001X	FERRITE BEADS		1	
	L777	NQR0713-001X	FERRITE BEADS		1	
	L778	NQR0713-001X	FERRITE BEADS		1	
	L820	NQR0713-001X	FERRITE BEADS		1	
	L821	NQR0713-001X	FERRITE BEADS		1	
	L822	NQR0713-001X	FERRITE BEADS		1	
	L823	NQR0713-001X	FERRITE BEADS		1	
	L824	NQR0713-001X	FERRITE BEADS		1	
	L825	LB73G0CA-002	CHIP FERRITE		1	
	L826	LB73G0CK-001	CHIP FERRITE		1	
	L827	LB73G0BK-006	CHIP FERRITE		1	
	L860	NQLL6EM-100X	INDUCTOR	10uH M	1	
	L861	NQLH65M-4R7X	INDUCTOR	4.7uH M	1	
	L990	QQR1927-001	CHOKE COIL		1	
	CN502	QGF1040F1-24	FFC/FPC CONNE	FFC/FPC (1-24)	1	
	CN701	QGZ2006J1-20	DETACHABLE CONN	(1-20)	1	
	CN990	QNZ0607-001	CAR CONNECTOR		1	
△	F321	F53-0513-08	PATTERN FUSE	4A	1	
	J321	QNN0868-001	PIN JACK		1	A1,M0,H1,M2,M8,M4,A2,M3,M6,E6,M7,M5,M9,K0
	J321	QNN0874-001	PIN JACK		1	E5,E7,E4,E3,K1,K2,K3,E1,K4
	J600	QNB0356-001	ANT TERMINAL		1	
	S830	QSW0648-001Z	TACT SWITCH		1	
	VA600	F0K-0010-00	SURGE ABSORBER		1	
	X540	L7J-0093-00	QUARTZ CRYSTAL		1	
	X600	QAX0969-001Z	CRYSTAL		1	
	X701	L7J-0060-00	QUARTZ CRYSTAL		1	
SWITCH PWB ASSY (XJ6-050x-xx) <XJ6>						
	IC1	BU97520AKV-M	MOS IC		1	
	IC90	SIR8630B6T	IR DETECT UNIT		1	A1,M0,H1,M2,M8,M4,A2,M3,M6,K1,M7,M5,M9,K4,K0
	Q1	LSCR523UBFS8	TRANSISTOR		1	
	Q51	LSCR523EBFS8	TRANSISTOR		1	
	Q52	LSCR523UBFS8	TRANSISTOR		1	K0
	D1	DZ2J056M	ZENER DIODE		1	
	D2	MBRX130	SCHOTTKY DIODE		1	
	D20	SML-D12V8WT	LED		1	
	D21	LOT67DU2AA241	LED		1	A1,M0
	D21	ASMTUBB5ZT3Y2	LED		1	E5,H1,M2,E7,M7,E1
	D21	ASMTUGB5ZV7Y2	LED		1	E4,M8
	D21	LRT67DU1V211	LED		1	E3,M4,E2,K1,K2,E6,M5,K3,K4,K0
	D21	ASMPWH1ZCEB2	LED		1	A2,M3,M6,M9
	D22	LOT67DU2AA241	LED		1	A1,M0
	D22	ASMTUBB5ZT3Y2	LED		1	E5,H1,M2,E7,M7,E1
	D22	ASMTUGB5ZV7Y2	LED		1	E4,M8
	D22	LRT67DU1V211	LED		1	E3,M4,E2,K1,K2,E6,M5,K3,K4,K0
	D22	ASMPWH1ZCEB2	LED		1	A2,M3,M6,M9

MODEL	MARK	MODEL	MARK	MODEL	MARK	MODEL	MARK
KDC-100UA	A1	KDC-100UA	M0	KDC-100UB	E5	KDC-100UB	H1
KDC-100UB	M2	KDC-100UBS	E7	KDC-100UG	E4	KDC-100UG	M8
KDC-100UR	E3	KDC-100UR	M4	KDC-100UW	A2	KDC-100UW	M3
KDC-1010U	M6	KDC-10UR	E2	KDC-115U	K1	KDC-125U	K2
KDC-150RY	E6	KDC-151UBM	M7	KDC-161URM	M5	KDC-165U	K3
KDC-181UWM	M9	KDC-200UB	E1	KDC-230U	K4	KDC-MP165U	K0

Safe	Symbol No.	Parts No.	Parts Name	Description	QTY	Local
	D23	LOT67DU2AA241	LED		1	A1,M0
	D23	ASMTUBB5ZT3Y2	LED		1	E5,H1,M2,E7,M7,E1
	D23	ASMTUGB5ZV7Y2	LED		1	E4,M8
	D23	LRT67DU1V211	LED		1	E3,M4,E2,K1,K2,E6,M5 ,K3,K4,K0
	D23	ASMPWH1ZCEB2	LED		1	A2,M3,M6,M9
	D24	ASMPWH1ZCEB2	LED		1	M6,M9
	D25	QSMR-C13SBCMN	LED		1	M7
	D25	SML-D12V8WT	LED		1	M5
	D26	QSMR-C13SBCMN	LED		1	M7
	D26	SML-D12V8WT	LED		1	M5
	D49	NHSW157B	LED		1	
	D80	DZ2J051M	ZENER DIODE		1	
	D81	DZ2J051M	ZENER DIODE		1	
	C1	CK73GXR1C105K	C CAPACITOR	1uF 16V K	1	
	C4	CK73GXR1C105K	C CAPACITOR	1uF 16V K	1	
	C5	CK73GXR1C105K	C CAPACITOR	1uF 16V K	1	
	C6	CK73EXR1C106K	C CAPACITOR	10uF 16V K	1	
	C7	CK73GBB1H472K	C CAPACITOR	4700pF 50V K	1	
	C60	CK73GBB1H102K	C CAPACITOR	1000pF 50V K	1	
	C61	CK73GBB1H102K	C CAPACITOR	1000pF 50V K	1	
	C80	CC73GCH1H270J	C CAPACITOR	27pF 50V J	1	
	C81	CC73GCH1H270J	C CAPACITOR	27pF 50V J	1	
	C82	CK73EXR1C106K	C CAPACITOR	10uF 16V K	1	
	C83	CK73GBB1H471K	C CAPACITOR	470pF 50V K	1	
	C84	CK73GBB1H472K	C CAPACITOR	4700pF 50V K	1	
	C85	CK73GBB1H471K	C CAPACITOR	470pF 50V K	1	
	C86	CK73GBB1H472K	C CAPACITOR	4700pF 50V K	1	
	C91	CK73GXR1A105K	C CAPACITOR	1uF 10V K	1	A1,M0,H1,M2,M8,M4,A2 ,M3,M6,K1,M7,M5,M9,K4, K0
	R1	RK73GB2A101J	MG RESISTOR	100Ω 1/10W J	1	
	R3	RK73GB2A471J	MG RESISTOR	470Ω 1/10W J	1	
	R5	RK73EB2E331J	MG RESISTOR	330Ω 1/4W J	1	
	R6	RK73GB2A102J	MG RESISTOR	1kΩ 1/10W J	1	
	R7	RK73EB2E000J	MG RESISTOR	0Ω 1/4W J	1	
	R20	RK73GB2A152J	MG RESISTOR	1.5kΩ 1/10W J	1	A1,M0,E5,H1,M2,E7,E4 ,M8,E3,M4,A2,M3,M6,E2, K1,K2,E6,M7,M5,K3,M9,E 1,K4
	R21	RK73GB2A152J	MG RESISTOR	1.5kΩ 1/10W J	1	K0
	R22	RK73FB2B102J	MG RESISTOR	1kΩ 1/8W J	1	A1,M0,E3,M4,A2,M3,M6 ,E2,K1,K2,E6,M5,K3,M9, K4,K0
	R22	RK73FB2B681J	MG RESISTOR	680Ω 1/8W J	1	E5,H1,M2,E7,M7,E1
	R22	RK73FB2B821J	MG RESISTOR	820Ω 1/8W J	1	E4,M8
	R23	RK73FB2B102J	MG RESISTOR	1kΩ 1/8W J	1	A1,M0,E3,M4,A2,M3,M6 ,E2,K1,K2,E6,M5,K3,M9, K4,K0
	R23	RK73FB2B681J	MG RESISTOR	680Ω 1/8W J	1	E5,H1,M2,E7,M7,E1
	R23	RK73FB2B821J	MG RESISTOR	820Ω 1/8W J	1	E4,M8
	R24	RK73EB2E122J	MG RESISTOR	1.2kΩ 1/4W J	1	A1,M0,E3,M4,E2,K1,K2 ,E6,M5,K3,K4,K0
	R24	RK73EB2E471J	MG RESISTOR	470Ω 1/4W J	1	E5,H1,M2,E7,M7,E1
	R24	RK73EB2E102J	MG RESISTOR	1kΩ 1/4W J	1	E4,M8
	R24	RK73EB2E821J	MG RESISTOR	820Ω 1/4W J	1	A2,M3,M6,M9
	R25	RK73FB2B132J	MG RESISTOR	1.3kΩ 1/8W J	1	M6,M9
	R26	RK73FB2B821J	MG RESISTOR	820Ω 1/8W J	1	M7
	R26	RK73FB2B911J	MG RESISTOR	910Ω 1/8W J	1	M5
	R48	RK73EB2E431J	MG RESISTOR	430Ω 1/4W J	1	
	R50	RK73EB2E472J	MG RESISTOR	4.7kΩ 1/4W J	1	K0
	R51	RK73EB2E682J	MG RESISTOR	6.8kΩ 1/4W J	1	
	R60	RK73FB2B101J	MG RESISTOR	100Ω 1/8W J	1	
	R61	RK73FB2B101J	MG RESISTOR	100Ω 1/8W J	1	
	R62	RK73FB2B4R7J	MG RESISTOR	4.7Ω 1/8W J	1	
	R80	RK73EB2E221J	MG RESISTOR	220Ω 1/4W J	1	
	R1001	RK73GB2A000J	MG RESISTOR	0Ω 1/10W J	1	A1,M0,E5,H1,M2,E7,E4 ,M8,E3,M4,A2,M3,M6,E2, K1,K2,E6,M7,M5,K3,M9,E 1,K4
	R1006	RK73GB2A000J	MG RESISTOR	0Ω 1/10W J	1	A1,M0,H1,M2,M8,M4,A2 ,M3,M6,K1,M7,M5,M9,K4, K0
	RA1	RK74GB1J101J	NET RESISTOR	100Ω 1/16W J	1	
	RA2	RK74GB1J101J	NET RESISTOR	100Ω 1/16W J	1	
	RA3	RK74GB1J101J	NET RESISTOR	100Ω 1/16W J	1	
	CN1	QGZ2006K1-20X	DETACHABLE CONN	(1-20)	1	
	FL80	L7K-0030-00	FILTER		1	
	J60	QNS0320-001	3.5 JACK		1	
	J80	E5J-0069-00	USB TERMINAL		1	
	S20	T9K-0007-00	ROTARY ENCODER		1	

CD MECHA PWB ASSY (LVA20106-01A) <L20>

IC1	BD8266EFV-M-X	IC			1	
C26	CK73FXR1C106K	C CAPACITOR	10uF 16V K		1	
C54	NCB31HK-104X	C CAPACITOR	0.1uF 50V K		1	
C55	CK73FXR1C106K	C CAPACITOR	10uF 16V K		1	
R18	RK73GB2A822J	MG RESISTOR	8.2kΩ 1/10W J		1	

MODEL	MARK	MODEL	MARK	MODEL	MARK	MODEL	MARK
KDC-100UA	A1	KDC-100UA	M0	KDC-100UB	E5	KDC-100UB	H1
KDC-100UB	M2	KDC-100UBS	E7	KDC-100UG	E4	KDC-100UG	M8
KDC-100UR	E3	KDC-100UR	M4	KDC-100UW	A2	KDC-100UW	M3
KDC-1010U	M6	KDC-10UR	E2	KDC-115U	K1	KDC-125U	K2
KDC-150RY	E6	KDC-151UBM	M7	KDC-161URM	M5	KDC-165U	K3
KDC-181UWM	M9	KDC-200UB	E1	KDC-230U	K4	KDC-MP165U	K0

Safe	Symbol No.	Parts No.	Parts Name	Description	QTY	Local
	R21	RK73GB2A822J	MG RESISTOR	8.2k Ω 1/10W J	1	
	R24	RK73GB2A272J	MG RESISTOR	2.7k Ω 1/10W J	1	
	R27	RK73GB2A562J	MG RESISTOR	5.6k Ω 1/10W J	1	
	R28	RK73GB2A114J	MG RESISTOR	110k Ω 1/10W J	1	
	R29	RK73GB2A101J	MG RESISTOR	100 Ω 1/10W J	1	
	R30	RK73GB2A101J	MG RESISTOR	100 Ω 1/10W J	1	
	R36	RK73GB2A000J	MG RESISTOR	0 Ω 1/10W J	1	
	R37	RK73GB2A000J	MG RESISTOR	0 Ω 1/10W J	1	
	R38	RK73GB2A000J	MG RESISTOR	0 Ω 1/10W J	1	
	R40	RK73GB2A000J	MG RESISTOR	0 Ω 1/10W J	1	
	R42	RK73EB2E000J	MG RESISTOR	0 Ω 1/4W J	1	
	R47	RK73EB2E000J	MG RESISTOR	0 Ω 1/4W J	1	
	R48	RK73EB2E000J	MG RESISTOR	0 Ω 1/4W J	1	
	R50	RK73GB2A131J	MG RESISTOR	130 Ω 1/10W J	1	
	CN1	QGF1044F2-24X	FFC/FPC CONNE	FFC/FPC (1-24)	1	
	CN2	QGF0522F6-15W	FFC/FPC CONNE	FFC/FPC (1-15)	1	
	SW1	NSW0291-001X	DETECT SWITCH		1	
	SW2	NSW0291-001X	DETECT SWITCH		1	
	SW3	NSW0313-001X	DETECT SWITCH		1	