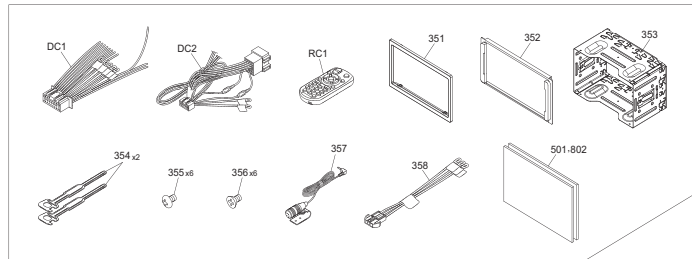
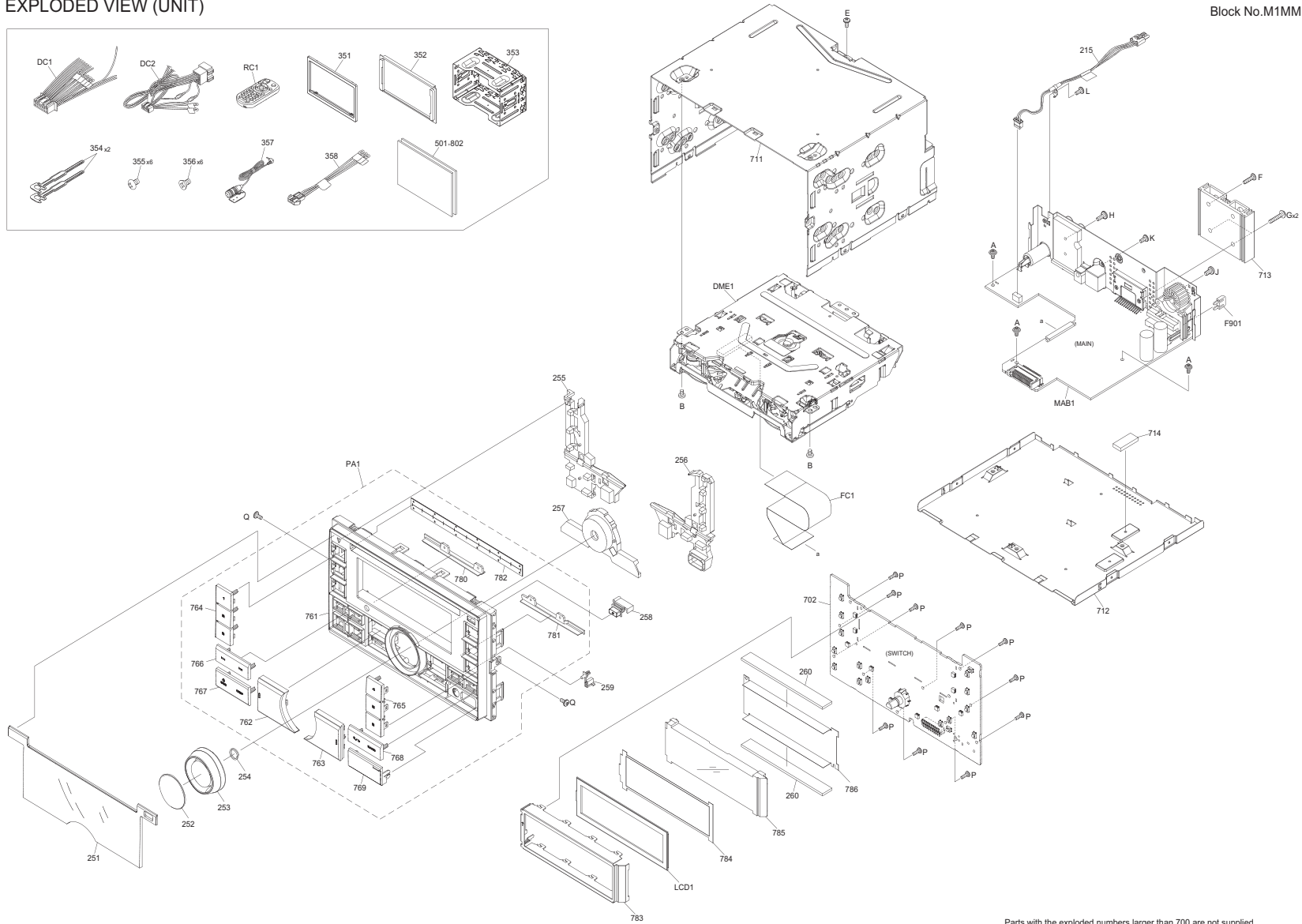


EXPLODED VIEW (UNIT)



Block No.M1MM



No.WA419

Parts with the exploded numbers larger than 700 are not supplied.

created date:2019-10-23

MODEL	MARK	MODEL	MARK	MODEL	MARK	MODEL	MARK
DPX504BT	K2	DPX-5200BT	E1	DPX-5200BT	M1	DPX524BT	K1
DPX560BT	K3	DPX594BT	K0				

Safe	Symbol No.	Parts No.	Parts Name	Description	QTY	Local
------	------------	-----------	------------	-------------	-----	-------

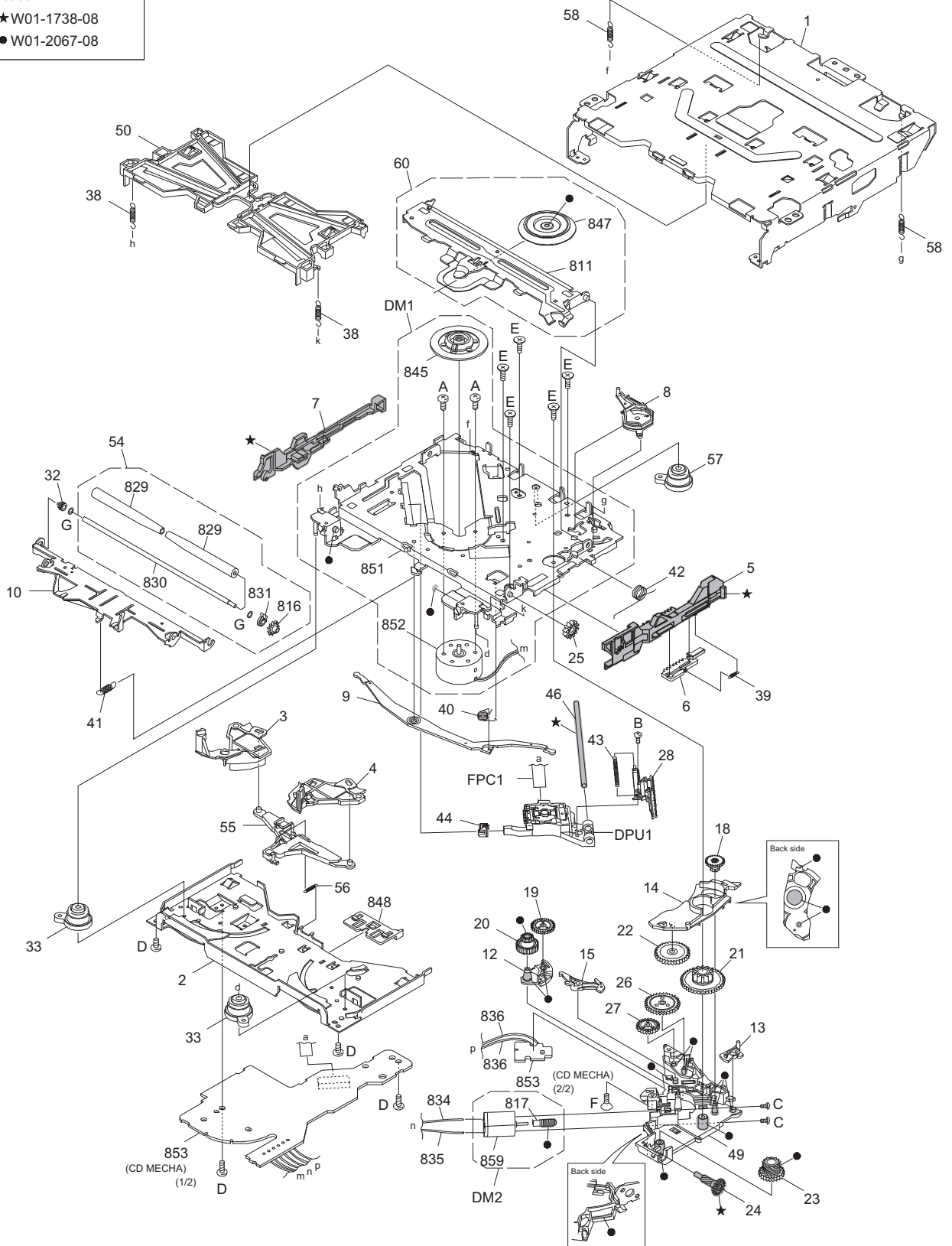
EXPLODED VIEW (UNIT) <M1MM>

△	DC1	E3A-0324-00	DC CORD		1	K2,M1,K1,K3,K0
△	DC2	E3A-0455-00	DC CORD		1	E1
	MAB1	CB-XJ1296K02N	MAIN PWB	XJ1-296K-02	1	K2
	MAB1	CB-XJ1296E01N	MAIN PWB	XJ1-296E-01	1	E1
	MAB1	CB-XJ1296M01N	MAIN PWB	XJ1-296M-01	1	M1
	MAB1	CB-XJ1296K01N	MAIN PWB	XJ1-296K-01	1	K1
	MAB1	CB-XJ1296K03N	MAIN PWB	XJ1-296K-03	1	K3
	MAB1	CB-XJ1296K00N	MAIN PWB	XJ1-296K-00	1	K0
	DME1	XJJ-070W-00	CD MECHANISM		1	
△	F901	FZB10BT-100	BLADE FUSE	32V	1	
	FC1	E3G-0158-00	FFC WIRE		1	
	LCD1	B3H-0128-00	LCD		1	
	PA1	A6D-0158-07	PANEL ASSY		1	K2,K3
	PA1	A6D-0158-00	PANEL ASSY		1	E1
	PA1	A6D-0158-01	PANEL ASSY		1	M1
	PA1	A6D-0158-08	PANEL ASSY		1	K1
	PA1	A6D-0158-02	PANEL ASSY		1	K0
	RC1	A7A-0019-00	REMOTE CTL(IR)		1	M1,K1
	A	LV41200-004A	SPECIAL SCREW		3	
	B	QYSDST2604ZA	TAP SCREW	M2.6 x 4.0mm	2	
	E	QYSDST2606ZA	TAP SCREW	M2.6 x 6.0mm	1	
	F	QYSDST2608ZA	TAP SCREW	M2.6 x 8.0mm	1	
	G	QYSDST2610ZA	TAP SCREW	M2.6 x 10.0mm	2	
	H	QYSDSF2608ZA	TAP SCREW	M2.6 x 8.0mm	1	
	J	QYSPSG3008ZA	TAP SCREW	M3.0 x 8.0mm	1	
	K	QYSDST2606ZA	TAP SCREW	M2.6 x 6.0mm	1	K2,K0
	L	QYSDST2606ZA	TAP SCREW	M2.6 x 6.0mm	1	M1,K1
	P	QYSDSF2006ZA	TAP SCREW	M2.0 x 6.0mm	10	
	Q	QYSDST2004ZA	TAP SCREW	M2.0 x 4.0mm	2	
	215	E3A-0699-00	CORD W.CON.		1	M1,K1
	251	B1A-0109-04	FRONT GLASS		1	K2
	251	B1A-0109-07	FRONT GLASS		1	E1
	251	B1A-0109-09	FRONT GLASS		1	M1
	251	B1A-0109-03	FRONT GLASS		1	K1
	251	B1A-0109-05	FRONT GLASS		1	K3
	251	B1A-0109-02	FRONT GLASS		1	K0
	252	K2K-0496-00	KEY TOP		1	
	253	K2K-0497-01	KNOB		1	
	254	GE40127-005A	KNOB SPRING		1	
	255	B1K-0153-00	LIGHTING BOARD		1	
	256	B1K-0154-00	LIGHTING BOARD		1	
	257	B1K-0155-01	LIGHTING BOARD		1	
	258	K2E-0121-00	PUSH KNOB		1	
	259	K2E-0122-00	PUSH KNOB		1	
	260	E2K-0096-00	CONDUCT RUBBER		2	
	351	GE20366-001A	TRIM PLATE		1	K2,E1,K1,K3,K0
	352	B9H-0018-00	ESCUTCHEON		1	M1,K1,K0
	353	LV22876-001A	SLEEVE ASSY		1	K2,E1,K1,K3,K0
	354	LV45516-001A	LEVER		2	K2,E1,K1,K3,K0
	355	QYSDSP5008ZA	SCREW	M5.0 x 8.0mm	6	K2,M1,K1,K3,K0
	356	QYSSSP5008ZA	SCREW	M5.0 x 8.0mm	6	K2,M1,K1,K3,K0
	357	T9B-0073-00	MICROPHONE		1	
	358	E3A-0701-00	CORD W.CON.		1	M1,K1
	501	B5A-3152-00	INST.MANUAL		1	M1
	702	-----	SWITCH PWB	NO SERVICE PART	1	K2,M1,K1,K3,K0
	702	-----	SWITCH PWB	NO SERVICE PART	1	E1
	711	-----	TOP COVER	NO SERVICE PART	1	
	712	-----	BOTTOM PLATE	NO SERVICE PART	1	
	713	-----	HEAT SINK	NO SERVICE PART	1	
	714	-----	COOL SHEET	NO SERVICE PART	1	
	761	-----	PANEL	NO SERVICE PART	1	K2,E1,K1,K3
	761	-----	PANEL	NO SERVICE PART	1	M1
	761	-----	PANEL	NO SERVICE PART	1	K0
	762	-----	KNOB ASSY	NO SERVICE PART	1	
	763	-----	KNOB ASSY	NO SERVICE PART	1	K2,K3,K0
	763	-----	KNOB ASSY	NO SERVICE PART	1	E1
	763	-----	KNOB ASSY	NO SERVICE PART	1	M1,K1
	764	-----	PUSH KNOB	NO SERVICE PART	1	
	765	-----	PUSH KNOB	NO SERVICE PART	1	
	766	-----	PUSH KNOB	NO SERVICE PART	1	
	767	-----	PUSH KNOB	NO SERVICE PART	1	
	768	-----	PUSH KNOB	NO SERVICE PART	1	
	769	-----	COVER	NO SERVICE PART	1	
	780	-----	LIGHTING BOARD	NO SERVICE PART	1	
	781	-----	LIGHTING BOARD	NO SERVICE PART	1	
	782	-----	BLIND PLATE	NO SERVICE PART	1	
	783	-----	LCD CASE	NO SERVICE PART	1	
	784	-----	OPTI,DIFFUSER	NO SERVICE PART	1	
	785	-----	LIGHTING BOARD	NO SERVICE PART	1	
	786	-----	REF.SHEET	NO SERVICE PART	1	
	802	-----	SUB-INST.MANUAL	NO SERVICE PART	1	K2,K1,K3,K0
	802	-----	SUB-INST.MANUAL	NO SERVICE PART	1	E1

# EXPLODED VIEW (CD MECHANISM: XJJ-070W-00/FC2-3B00NXN)

Block No.MBMM

Grease  
 ★W01-1738-08  
 ●W01-2067-08



Parts with the exploded numbers larger than 800 are not supplied.

MODEL	MARK	MODEL	MARK	MODEL	MARK	MODEL	MARK
DPX504BT	K2	DPX-5200BT	E1	DPX-5200BT	M1	DPX524BT	K1
DPX560BT	K3	DPX594BT	K0				

Safe	Symbol No.	Parts No.	Parts Name	Description	QTY	Local
------	------------	-----------	------------	-------------	-----	-------

EXPLODED VIEW (CD MECHANISM: XJJ-070W-00) <MBMM>

DM1	CM-FC2-MD	MD CHASSIS ASSY			1	
DM2	CM-FC2-M	LOAD MOTOR ASSY			1	
DPU1	T2F-0002-00	CD OPT PICKUP			1	
FPC1	QAL1465-001	FPC			1	
A	LV45568-001A	MINI SCREW			2	
B	QYSPSGT1745ZA	TAP SCREW	M1.7 x 4.5mm		1	
C	QYSPSPT2025MA	SCREW	M2.0 x 2.5mm		2	
D	VKZ4539-054	MINI SCREW			4	
E	LV45818-001A	G.HOLDER SCREW			5	
F	LV45815-001A	M. SHAFT SCREW			1	
G	LV45816-001A	ROLLER WASHER			2	
1	LV11877-003A	OUTER CHASSIS			1	
2	LV11878-006A	LOWER CHASSIS			1	
3	LV3A174-002A	DISC ARM L			1	
4	LV3A175-001A	DISC ARM R			1	
5	LV23057-001A	SLIDER R			1	
6	LV3A178-001A	TRIGGER SLIDER			1	
7	LV23058-001A	SLIDER L			1	
8	LV3A179-002A	TRIGGER ARM			1	
9	LV3A173-001A	JOINT LEVER			1	
10	LV23055-003A	ROLLER LEVER			1	
12	LV3A181-002A	TRANSFER ARM			1	
13	LV45797-002A	SL LOCK CAM			1	
14	LV3A182-003A	SL LOCK ARM			1	
15	LV3A183-001A	PICK LOCK ARM			1	
18	LV3A187-002A	HELICAL GEAR 1			1	
19	LV3A188-001A	TRANSFER GEAR			1	
20	LV3A189-001A	LOAD GEAR H			1	
21	LV3A190-001A	DRIVE GEAR			1	
22	LV3A191-001A	JOINT GEAR			1	
23	LV3A192-001A	WORM GEAR 2			1	
24	LV3A193-001A	HELICAL GEAR 2			1	
25	LV3A194-001A	LOAD GEAR V			1	
26	LV3A195-001A	PICK GEAR 1			1	
27	LV3A196-001A	PICK GEAR 2			1	
28	LV3A197-001A	RACK GEAR			1	
32	LV45796-001A	R.RETAINER L			1	
33	D3K-0002-00	DAMPER			2	
38	LV45809-001A	FLOAT SPRING(F)			2	
39	LV45810-001A	TRIGGER SPRING			1	
40	LV45811-001A	LOAD SPRING			1	
41	LV45812-001A	ROLLER SPRING			1	
42	LV45813-002A	CLAMP SPRING			1	
43	LV45814-001A	PICK SPRING			1	
44	LV36813-302A	SUB GUIDE CAP			1	
46	D2B-0037-00	SHAFT			1	
49	LV11881-002A	GEAR HOLDER			1	
50	LV11880-004A	DISC GUIDE			1	
54	CM-FC2-R	ROLLER ASSY			1	
55	D1A-0100-00	ARM			1	
56	G0A-0138-00	EXTEN.SPRING			1	
57	D3K-0003-00	DAMPER			1	
58	LV45835-001A	FLOAT SPRING(R)			2	
60	LV3A271-002A	CL BASE ASSY			1	
811	-----	CLAMP ARM	NO SERVICE PART		1	
816	-----	ROLLER GEAR	NO SERVICE PART		1	
817	-----	WORM GEAR 1	NO SERVICE PART		1	
829	-----	ROLLER	NO SERVICE PART		2	
830	-----	ROLLER SHAFT	NO SERVICE PART		1	
831	-----	R.RETAINER R	NO SERVICE PART		1	
834	-----	SIN TWIST WIRE	NO SERVICE PART		1	
835	-----	SIN TWIST WIRE	NO SERVICE PART		1	
836	-----	SIN TWIST WIRE	NO SERVICE PART		2	
845	-----	HC TURN TABLE	NO SERVICE PART		1	
847	-----	CLAMPER	NO SERVICE PART		1	
848	-----	WIRE HOLDER	NO SERVICE PART		1	
851	-----	MD CHASSIS ASSY	NO SERVICE PART		1	
852	-----	SPINDLE MOTOR	NO SERVICE PART		1	
853	-----	CD MECHA PWB	NO SERVICE PART		1	
859	-----	MOTOR	NO SERVICE PART		1	

MODEL	MARK	MODEL	MARK	MODEL	MARK	MODEL	MARK
DPX504BT	K2	DPX-5200BT	E1	DPX-5200BT	M1	DPX524BT	K1
DPX560BT	K3	DPX594BT	K0				

Safe	Symbol No.	Parts No.	Parts Name	Description	QTY	Local
<b>MAIN PWB ASSY (XJ1-296x-0x) &lt;XJ1&gt;</b>						
	IC161	BD37069FV-M	ANALOG IC		1	
	IC162	NJM11100F1	ANALOG IC		1	
	IC164	NJM11100F1	ANALOG IC		1	M1
	IC165	NJW4190R-A	ANALOG IC		1	K0
	IC220	NJM8065V	ANALOG IC		1	
	IC301	JCV8034	ANALOG IC		1	
	IC411	MFI343S00177	MCU IC		1	
	IC470	TC7SH08FUJC	MOS IC		1	K2,K0
	IC540	MP9943AGQ	ANALOG IC		1	
	IC601	TEF6657HNV101	ANALOG IC		1	
	IC701	STA1080	MPU IC	BGA	1	
	IC702	TC7SH08FUJC	MOS IC		1	
	IC821	W3F-0485-00	ROM IC		1	
	IC822	W25Q16JVSSIM	ROM IC		1	
	IC831	IC-PST8428U	MOS IC		1	
	IC841	IC-PST8428U	MOS IC		1	
	IC890	TPS25221DBV	MOS IC		1	
	IC901	BD49105RFS-M	ANALOG IC		1	
	IC1901	M12L2511A6BIS	DRAM IC		1	
	Q220	LSCR523UBFS8	TRANSISTOR		1	
	Q240	IMX9	DUAL TRANSISTOR		1	
	Q270	LTA024EEBFS8	DIGI TRANSISTOR		1	
	Q271	LSAR523UBFS8	TRANSISTOR		1	
	Q272	LTC024EEBFS8	DIGI TRANSISTOR		1	
	Q273	LTA024EEBFS8	DIGI TRANSISTOR		1	
	Q274	LTC024EEBFS8	DIGI TRANSISTOR		1	
	Q300	IMX9	DUAL TRANSISTOR		1	
	Q310	IMX9	DUAL TRANSISTOR		1	
	Q470	LTC014EEBFS8	DIGI TRANSISTOR		1	K2,K0
	Q471	LTC043TEBFS8	DIGI TRANSISTOR		1	K2,K0
	Q500	LTC043EUBFS8	DIGI TRANSISTOR		1	
	Q780	RE1C002ZP	FET		1	M1,K1
	Q781	RE1C002ZP	FET		1	M1,K1
	Q782	KRC407E-P	DIGI TRANSISTOR		1	M1,K1
	Q903	KRC407E-P	DIGI TRANSISTOR		1	
	Q904	RE1C002ZP	FET		1	
	Q920	KRA307E-P	TRANSISTOR		1	
	D220	UDZV6.8B	ZENER DIODE		1	
	D221	UDZV6.8B	ZENER DIODE		1	
	D222	UDZV5.6B	ZENER DIODE		1	
	D271	BAW56-TP	DIODE ARRAY		1	
	D273	1SS355-HF	DIODE		1	
	D370	BAW56-TP	DIODE ARRAY		1	
	D390	SM5818PL	SCHOTTKY DIODE		1	
	D391	MBR0530	DIODE		1	
	D400	RB521SM-30	DIODE		1	
	D401	UDZV5.1B	ZENER DIODE		1	
	D471	RSB6.8SM	ZENER DIODE		1	K2,K0
	D472	RSB6.8SM	ZENER DIODE		1	K2,K0
	D473	RSB6.8SM	ZENER DIODE		1	K2,K0
	D474	RSB6.8SM	ZENER DIODE		1	K2,K0
	D475	RSB6.8SM	ZENER DIODE		1	K2,K0
	D476	RSB6.8SM	ZENER DIODE		1	K2,K0
	D540	SMD24PL	SCHOTTKY DIODE		1	
	D783	DAN202UM	DIODE		1	M1,K1
	D902	SK34A-L	SCHOTTKY DIODE		1	
	D903	SK34A-L	SCHOTTKY DIODE		1	
	D904	GS1J-LTP	DIODE		1	
	D905	GS1J-LTP	DIODE		1	
	D906	SK34A-L	SCHOTTKY DIODE		1	
	D907	SK34A-L	SCHOTTKY DIODE		1	
	D908	SK34A-L	SCHOTTKY DIODE		1	
	D991	GN3XB	DIODE		1	
	C101	CK73JXR1H332K	C CAPACITOR	3300pF 50V K	1	
	C102	CK73JXR1H332K	C CAPACITOR	3300pF 50V K	1	
	C103	CK73GXR1C475K	C CAPACITOR	4.7uF 16V K	1	
	C104	CK73FXR1C106K	C CAPACITOR	10uF 16V K	1	
	C105	CK73GXR1C475K	C CAPACITOR	4.7uF 16V K	1	
	C106	CK73HXR1A105K	C CAPACITOR	1uF 10V K	1	
	C161	CE32BJ1V4R7M	E CAPACITOR	4.7uF 35V M	1	
	C162	CE32BJ1V4R7M	E CAPACITOR	4.7uF 35V M	1	
	C163	CE32BJ1V4R7M	E CAPACITOR	4.7uF 35V M	1	
	C164	CE32BJ1V4R7M	E CAPACITOR	4.7uF 35V M	1	
	C165	CE32BJ1V4R7M	E CAPACITOR	4.7uF 35V M	1	
	C166	CE32BJ1V4R7M	E CAPACITOR	4.7uF 35V M	1	
	C167	CK73GXR1C475K	C CAPACITOR	4.7uF 16V K	1	
	C168	CK73GXR1C475K	C CAPACITOR	4.7uF 16V K	1	
	C169	CE32BY1C470M	E CAPACITOR	47uF 16V M	1	
	C170	CE32CL1C100M	E CAPACITOR	10uF 16V M	1	
	C171	CE32CL1E330M	E CAPACITOR	33uF 25V M	1	M1
	C171	CE32BM1E470M	E CAPACITOR	47uF 25V M	1	K0
	C175	CK73JXR1H103K	C CAPACITOR	0.01uF 50V K	1	
	C177	CK73GXR1A106K	C CAPACITOR	10uF 10V K	1	
	C181	CK73FXR1C106K	C CAPACITOR	10uF 16V K	1	K0
	C183	CK73GXR1C105K	C CAPACITOR	1uF 16V K	1	K0
	C187	CK73HXR1C105K	C CAPACITOR	1uF 16V K	1	K0
	C188	CK73GXR1E105K	C CAPACITOR	1uF 25V K	1	K0
	C189	CK73HXR1H104K	C CAPACITOR	0.1uF 50V K	1	M1
	C190	CK73JXR1H103K	C CAPACITOR	0.01uF 50V K	1	M1
	C191	CC73JCH1H101J	C CAPACITOR	100pF 50V J	1	M1

MODEL	MARK	MODEL	MARK	MODEL	MARK	MODEL	MARK
DPX504BT	K2	DPX-5200BT	E1	DPX-5200BT	M1	DPX524BT	K1
DPX560BT	K3	DPX594BT	K0				

Safe	Symbol No.	Parts No.	Parts Name	Description	QTY	Local
	C192	CK73GXR1A106K	C CAPACITOR	10uF 10V K	1	M1
	C221	CK73HXR1A105K	C CAPACITOR	1uF 10V K	1	
	C222	CK73JXR0J333K	C CAPACITOR	0.033uF 6.3V K	1	
	C223	CK73JXR0J333K	C CAPACITOR	0.033uF 6.3V K	1	
	C224	CK73HXR1A105K	C CAPACITOR	1uF 10V K	1	
	C225	CK73HXR1A105K	C CAPACITOR	1uF 10V K	1	
	C226	CC73JCH1H220J	C CAPACITOR	22pF 50V J	1	
	C227	CC73JCH1H151J	C CAPACITOR	150pF 50V J	1	
	C228	CK73HXR1A105K	C CAPACITOR	1uF 10V K	1	
	C229	CK73HXR1A105K	C CAPACITOR	1uF 10V K	1	
	C230	CK73GXR1A105K	C CAPACITOR	1uF 10V K	1	
	C231	CC73JCH1H151J	C CAPACITOR	150pF 50V J	1	
	C234	CK73HXR1A105K	C CAPACITOR	1uF 10V K	1	
	C235	CK73HXR1A105K	C CAPACITOR	1uF 10V K	1	
	C236	CK73HXR1A105K	C CAPACITOR	1uF 10V K	1	
	C252	CK73EXR1C475K	C CAPACITOR	4.7uF 16V K	1	
	C262	CK73EXR1C475K	C CAPACITOR	4.7uF 16V K	1	E1
	C273	CK73HXR1A105K	C CAPACITOR	1uF 10V K	1	
	C304	CE32CL1E330M	E CAPACITOR	33uF 25V M	1	
	C311	CK73GXR1C475K	C CAPACITOR	4.7uF 16V K	1	
	C312	CK73GXR1C105K	C CAPACITOR	1uF 16V K	1	
	C316	CK73GXR1C224K	C CAPACITOR	0.22uF 16V K	1	
	C317	CK73GXR1C224K	C CAPACITOR	0.22uF 16V K	1	
	C318	CK73GXR1C224K	C CAPACITOR	0.22uF 16V K	1	
	C319	CK73GXR1C224K	C CAPACITOR	0.22uF 16V K	1	
	C322	CK73EXR1C475K	C CAPACITOR	4.7uF 16V K	1	
	C324	CK73JXR1E104K	C CAPACITOR	0.1uF 25V K	1	
	C332	CK73EXR1C475K	C CAPACITOR	4.7uF 16V K	1	
	C342	CK73EXR1C475K	C CAPACITOR	4.7uF 16V K	1	K2,M1,K1,K3,K0
	C352	CK73EXR1C475K	C CAPACITOR	4.7uF 16V K	1	K2,M1,K1,K3,K0
	C370	CK73HXR1H104K	C CAPACITOR	0.1uF 50V K	1	
	C391	CK73HXR1C105K	C CAPACITOR	1uF 16V K	1	
	C410	CK73JXR0J224K	C CAPACITOR	0.22uF 6.3V K	1	
	C411	CK73JXR1H472K	C CAPACITOR	4700pF 50V K	1	
	C472	CK73JXR1E104K	C CAPACITOR	0.1uF 25V K	1	K2,K0
	C473	CK73FXR1C106K	C CAPACITOR	10uF 16V K	1	K2,K0
	C474	CK73GXR1C225K	C CAPACITOR	2.2uF 16V K	1	K2,K0
	C475	CK73GXR1C225K	C CAPACITOR	2.2uF 16V K	1	K2,K0
	C540	CE32CC1A151M	E CAPACITOR	150uF 10V M	1	
	C542	CK73JXR1C224K	C CAPACITOR	0.22uF 16V K	1	
	C543	CK73HXR1C105K	C CAPACITOR	1uF 16V K	1	
	C544	CK73JXR1H471K	C CAPACITOR	470pF 50V K	1	
	C545	CK73FXR1C106K	C CAPACITOR	10uF 16V K	1	
	C547	CK73HXR1A104K	C CAPACITOR	0.1uF 10V K	1	
	C548	CK73HXR0J224K	C CAPACITOR	0.22uF 6.3V K	1	
	C549	CK73HXR0J224K	C CAPACITOR	0.22uF 6.3V K	1	
	C550	CC73JCH1H150J	C CAPACITOR	15pF 50V J	1	
	C601	CK73GXR1A106K	C CAPACITOR	10uF 10V K	1	
	C602	CK73GXR1A106K	C CAPACITOR	10uF 10V K	1	
	C603	CK73GXR1C475K	C CAPACITOR	4.7uF 16V K	1	
	C604	CK73GXB1H152K	C CAPACITOR	1500pF 50V K	1	
	C605	CK73JXR1H102K	C CAPACITOR	1000pF 50V K	1	
	C606	CC73JCH1H090D	C CAPACITOR	9pF 50V D	1	
	C607	CC73JCH1H010C	C CAPACITOR	1pF 50V C	1	
	C608	CK73JXR1H102K	C CAPACITOR	1000pF 50V K	1	
	C609	CK73JXR0J224K	C CAPACITOR	0.22uF 6.3V K	1	
	C610	CC73JCH1H120J	C CAPACITOR	12pF 50V J	1	
	C611	CC73JCH1H010C	C CAPACITOR	1pF 50V C	1	
	C612	CK73JXR1H103K	C CAPACITOR	0.01uF 50V K	1	
	C614	CC73JCH1H220J	C CAPACITOR	22pF 50V J	1	
	C615	CC73JCH1H330J	C CAPACITOR	33pF 50V J	1	
	C616	CK73JXR1H102K	C CAPACITOR	1000pF 50V K	1	
	C617	CK73JXR0J474K	C CAPACITOR	0.47uF 6.3V K	1	
	C618	CK73JXR0J224K	C CAPACITOR	0.22uF 6.3V K	1	
	C619	CK73GXR1H104K	C CAPACITOR	0.1uF 50V K	1	
	C620	CK73GXR1E105K	C CAPACITOR	1uF 25V K	1	
	C621	CK73GXR1E105K	C CAPACITOR	1uF 25V K	1	
	C624	CK73GXR1C225K	C CAPACITOR	2.2uF 16V K	1	
	C680	CK73GXR0J225K	C CAPACITOR	2.2uF 6.3V K	1	
	C701	CK73JXR1H471K	C CAPACITOR	470pF 50V K	1	
	C702	CK73GXR1A106K	C CAPACITOR	10uF 10V K	1	
	C703	CK73JXR1H103K	C CAPACITOR	0.01uF 50V K	1	
	C704	CC73JCH1H180J	C CAPACITOR	18pF 50V J	1	
	C705	CC73JCH1H180J	C CAPACITOR	18pF 50V J	1	
	C706	CK73GXR1A106K	C CAPACITOR	10uF 10V K	1	
	C707	CK73JXR1H103K	C CAPACITOR	0.01uF 50V K	1	
	C708	CC73JCH1H101J	C CAPACITOR	100pF 50V J	1	
	C710	CK73JXR1H222K	C CAPACITOR	2200pF 50V K	1	
	C711	CC73JCH1H100D	C CAPACITOR	10pF 50V D	1	
	C713	CK73HXR1A105K	C CAPACITOR	1uF 10V K	1	
	C714	CK73JXR1H103K	C CAPACITOR	0.01uF 50V K	1	
	C715	CC73JCH1H101J	C CAPACITOR	100pF 50V J	1	
	C716	CK73JXR1H472K	C CAPACITOR	4700pF 50V K	1	
	C717	CK73JXR1H471K	C CAPACITOR	470pF 50V K	1	
	C718	CC73JCH1H470J	C CAPACITOR	47pF 50V J	1	
	C719	CK73HXR1A105K	C CAPACITOR	1uF 10V K	1	
	C720	CK73JXR1A104K	C CAPACITOR	0.1uF 10V K	1	
	C721	CC73JCH1H101J	C CAPACITOR	100pF 50V J	1	
	C722	CK73GXR1A106K	C CAPACITOR	10uF 10V K	1	
	C723	CK73HXR1A105K	C CAPACITOR	1uF 10V K	1	

MODEL	MARK	MODEL	MARK	MODEL	MARK	MODEL	MARK
DPX504BT	K2	DPX-5200BT	E1	DPX-5200BT	M1	DPX524BT	K1
DPX560BT	K3	DPX594BT	K0				

Safe	Symbol No.	Parts No.	Parts Name	Description	QTY	Local
	C724	CK73JXR1H103K	C CAPACITOR	0.01uF 50V K	1	
	C725	CK73GXR1A106K	C CAPACITOR	10uF 10V K	1	
	C726	CK73JXR1H103K	C CAPACITOR	0.01uF 50V K	1	
	C727	CK73GXR1A106K	C CAPACITOR	10uF 10V K	1	
	C728	CC73JCH1H101J	C CAPACITOR	100pF 50V J	1	
	C729	CK73GXR1C475K	C CAPACITOR	4.7uF 16V K	1	
	C730	CC73JCH1H101J	C CAPACITOR	100pF 50V J	1	
	C731	CK73GXR1C475K	C CAPACITOR	4.7uF 16V K	1	
	C733	CK73GXR1C475K	C CAPACITOR	4.7uF 16V K	1	
	C735	CK73JXR1H472K	C CAPACITOR	4700pF 50V K	1	
	C736	CC73JCH1H070D	C CAPACITOR	7pF 50V D	1	
	C737	CC73JCH1H080D	C CAPACITOR	8pF 50V D	1	
	C738	CK73JXR1H472K	C CAPACITOR	4700pF 50V K	1	
	C740	CC73JCH1H101J	C CAPACITOR	100pF 50V J	1	
	C741	CC73JCH1H100D	C CAPACITOR	10pF 50V D	1	
	C742	CC73JCH1H101J	C CAPACITOR	100pF 50V J	1	
	C745	CK73JXR1H471K	C CAPACITOR	470pF 50V K	1	
	C746	CK73JXR1H103K	C CAPACITOR	0.01uF 50V K	1	
	C750	CK73GXR1C475K	C CAPACITOR	4.7uF 16V K	1	
	C756	CK73HXR1A105K	C CAPACITOR	1uF 10V K	1	
	C760	CK73JXR1H471K	C CAPACITOR	470pF 50V K	1	
	C780	CK73JXR1H102K	C CAPACITOR	1000pF 50V K	1	M1,K1
	C781	CK73GGB1H102K	C CAPACITOR	1000pF 50V K	1	M1,K1
	C782	CK73JXR1A104K	C CAPACITOR	0.1uF 10V K	1	M1,K1
	C820	CK73JXR0J224K	C CAPACITOR	0.22uF 6.3V K	1	
	C821	CK73JXR1H471K	C CAPACITOR	470pF 50V K	1	
	C824	CK73JXR0J224K	C CAPACITOR	0.22uF 6.3V K	1	
	C830	CK73JXR1H471K	C CAPACITOR	470pF 50V K	1	
	C831	CK73HXR1A105K	C CAPACITOR	1uF 10V K	1	
	C832	CK73JXR0J224K	C CAPACITOR	0.22uF 6.3V K	1	
	C841	CK73HXR1A334K	C CAPACITOR	0.33uF 10V K	1	
	C842	CK73JXR0J224K	C CAPACITOR	0.22uF 6.3V K	1	
	C843	CK73HXR1A105K	C CAPACITOR	1uF 10V K	1	
	C890	CK73HXR1A105K	C CAPACITOR	1uF 10V K	1	
	C891	CK73GXR1A106K	C CAPACITOR	10uF 10V K	1	
	C902	CC73JCH1E391J	C CAPACITOR	390pF 25V J	1	
	C903	CK73JXR1H471K	C CAPACITOR	470pF 50V K	1	
	C904	CC73JCH1E271J	C CAPACITOR	270pF 25V J	1	
	C905	CK73GXR1C475K	C CAPACITOR	4.7uF 16V K	1	
	C906	CK73GXR1A106K	C CAPACITOR	10uF 10V K	1	
	C907	CE32CC1A151M	E CAPACITOR	150uF 10V M	1	
	C911	CK73GXR1E105K	C CAPACITOR	1uF 25V K	1	
	C912	CK73EXR1E106K	C CAPACITOR	10uF 25V K	1	
	C913	CK73EXR1E106K	C CAPACITOR	10uF 25V K	1	
	C914	CK73GXR1C475K	C CAPACITOR	4.7uF 16V K	1	
	C915	CK73GXR1C475K	C CAPACITOR	4.7uF 16V K	1	
	C916	CE32BY1C221M	E CAPACITOR	220uF 16V M	1	
	C917	CK73GXR1E105K	C CAPACITOR	1uF 25V K	1	
	C918	CC73JCH1E391J	C CAPACITOR	390pF 25V J	1	
	C935	CK73GXR1C475K	C CAPACITOR	4.7uF 16V K	1	
	C943	CK73GXR1C475K	C CAPACITOR	4.7uF 16V K	1	
	C944	CE32CC1A151M	E CAPACITOR	150uF 10V M	1	
	C945	CC73JCH1E561J	C CAPACITOR	560pF 25V J	1	
	C946	CK73GXR1E105K	C CAPACITOR	1uF 25V K	1	
	C947	CK73GXR1C475K	C CAPACITOR	4.7uF 16V K	1	
	C948	CK73HXR1A105K	C CAPACITOR	1uF 10V K	1	
	C949	CK73JXR1H102K	C CAPACITOR	1000pF 50V K	1	
	C950	CK73GXR1C475K	C CAPACITOR	4.7uF 16V K	1	
	C952	CK73GXR1A106K	C CAPACITOR	10uF 10V K	1	
	C954	CK73JXR1H471K	C CAPACITOR	470pF 50V K	1	
	C960	CK73HXR1C105K	C CAPACITOR	1uF 16V K	1	
	C992	CD04ET1C222M1	E CAPACITOR	2200uF 16V M	1	
	C993	CK73JXR1H471K	C CAPACITOR	470pF 50V K	1	
	C994	CD04EU1C222M1	E CAPACITOR	2200uF 16V M	1	
	C1020	CK73JXR1A104K	C CAPACITOR	0.1uF 10V K	1	
	C1301	CK73HXR1A105K	C CAPACITOR	1uF 10V K	1	
	C1305	CK73GXR1A106K	C CAPACITOR	10uF 10V K	1	
	C1306	CK73JXR1A104K	C CAPACITOR	0.1uF 10V K	1	
	C1600	CK73JXR0J153K	C CAPACITOR	0.015uF 6.3V K	1	
	C1602	CK73JXR0J224K	C CAPACITOR	0.22uF 6.3V K	1	
	C1603	CK73JXR0J224K	C CAPACITOR	0.22uF 6.3V K	1	
	C1902	CK73JXR1A104K	C CAPACITOR	0.1uF 10V K	1	
	C1903	CK73JXR1H471K	C CAPACITOR	470pF 50V K	1	
	C1904	CK73JXR1A104K	C CAPACITOR	0.1uF 10V K	1	
	C1905	CK73JXR1A104K	C CAPACITOR	0.1uF 10V K	1	
	C1906	CK73HXR1A105K	C CAPACITOR	1uF 10V K	1	
	C1907	CK73JXR1A104K	C CAPACITOR	0.1uF 10V K	1	
	C1908	CK73JXR1A104K	C CAPACITOR	0.1uF 10V K	1	
	C1909	CK73JXR1A104K	C CAPACITOR	0.1uF 10V K	1	
	C1910	CK73JXR1A104K	C CAPACITOR	0.1uF 10V K	1	
	C2002	CK73JXR1E104K	C CAPACITOR	0.1uF 25V K	1	
	C2008	CK73JXR1H103K	C CAPACITOR	0.01uF 50V K	1	
	C2010	CK73JXR1H471K	C CAPACITOR	470pF 50V K	1	
	C2025	CK73HXR1A105K	C CAPACITOR	1uF 10V K	1	
	C2027	CK73GXR1A106K	C CAPACITOR	10uF 10V K	1	
	C2037	CK73JXR1H103K	C CAPACITOR	0.01uF 50V K	1	
	C2040	CK73HXR1A105K	C CAPACITOR	1uF 10V K	1	
	C2041	CC73JCH1H101J	C CAPACITOR	100pF 50V J	1	
	C2048	CK73HXR0J474K	C CAPACITOR	0.47uF 6.3V K	1	
	C2050	CK73HXR1A105K	C CAPACITOR	1uF 10V K	1	
	C2051	CK73JXR0J224K	C CAPACITOR	0.22uF 6.3V K	1	
	C2052	CK73JXR0J224K	C CAPACITOR	0.22uF 6.3V K	1	

MODEL	MARK	MODEL	MARK	MODEL	MARK	MODEL	MARK
DPX504BT	K2	DPX-5200BT	E1	DPX-5200BT	M1	DPX524BT	K1
DPX560BT	K3	DPX594BT	K0				

Safe	Symbol No.	Parts No.	Parts Name	Description	QTY	Local
	C2084	CK73HXR1H104K	C CAPACITOR	0.1uF 50V K	1	
	C2117	CC73JCH1H101J	C CAPACITOR	100pF 50V J	1	
	C9003	CK73JXR1H471K	C CAPACITOR	470pF 50V K	1	K2,K0
	C9015	CK73JXR1H103K	C CAPACITOR	0.01uF 50V K	1	
	C9020	CK73JXR1A104K	C CAPACITOR	0.1uF 10V K	1	E1
	C9021	CC73JCH1H101J	C CAPACITOR	100pF 50V J	1	
	C9022	CK73JXR1H472K	C CAPACITOR	4700pF 50V K	1	
	C9023	CK73GXR1H104K	C CAPACITOR	0.1uF 50V K	1	E1
	C9025	CK73JXR1H103K	C CAPACITOR	0.01uF 50V K	1	
	C9026	CK73JXR1H471K	C CAPACITOR	470pF 50V K	1	
	C9027	CK73JXR1H103K	C CAPACITOR	0.01uF 50V K	1	
	C9028	CK73JXR0J104K	C CAPACITOR	0.1uF 6.3V K	1	E1
	C9030	CK73JXR1H103K	C CAPACITOR	0.01uF 50V K	1	
	C9037	CK73JXR1H472K	C CAPACITOR	4700pF 50V K	1	
	C9038	CK73JXR1E104K	C CAPACITOR	0.1uF 25V K	1	
	C9039	CK73JXR1E104K	C CAPACITOR	0.1uF 25V K	1	
	C9040	CK73JXR1H222K	C CAPACITOR	2200pF 50V K	1	E1
	C9045	CK73JXR1H471K	C CAPACITOR	470pF 50V K	1	
	C9049	CK73JXR1H472K	C CAPACITOR	4700pF 50V K	1	
	C9050	CK73JXR1H472K	C CAPACITOR	4700pF 50V K	1	
	C9053	CK73JXR1H102K	C CAPACITOR	1000pF 50V K	1	
	C9054	CK73JXR1H471K	C CAPACITOR	470pF 50V K	1	
	C9062	CK73JXR1H222K	C CAPACITOR	2200pF 50V K	1	E1
	C9064	CK73JXR1H222K	C CAPACITOR	2200pF 50V K	1	E1
	C9067	CK73JXR1H222K	C CAPACITOR	2200pF 50V K	1	E1
	C9085	CK73JXR1H103K	C CAPACITOR	0.01uF 50V K	1	
	C9086	CK73JXR1H103K	C CAPACITOR	0.01uF 50V K	1	
	C9087	CK73JXR1H103K	C CAPACITOR	0.01uF 50V K	1	
	C9101	CK73JXR1E104K	C CAPACITOR	0.1uF 25V K	1	
	C9103	CC73JCH1H220J	C CAPACITOR	22pF 50V J	1	
	C9117	CK73GXR1A106K	C CAPACITOR	10uF 10V K	1	
	C9118	CK73GXR1A106K	C CAPACITOR	10uF 10V K	1	
	C9120	CK73JXR1H471K	C CAPACITOR	470pF 50V K	1	
	C9130	CK73JXR1H471K	C CAPACITOR	470pF 50V K	1	
	C9131	CK73JXR1H471K	C CAPACITOR	470pF 50V K	1	
	C9132	CK73JXR1H471K	C CAPACITOR	470pF 50V K	1	
	C9201	CC73JCH1H050C	C CAPACITOR	5pF 50V C	1	
	C9202	CC73JCH1H050C	C CAPACITOR	5pF 50V C	1	
	C9203	CC73JCH1H050C	C CAPACITOR	5pF 50V C	1	
	C9204	CC73JCH1H070D	C CAPACITOR	7pF 50V D	1	
	C9205	CC73JCH1H070D	C CAPACITOR	7pF 50V D	1	
	C9518	CK73JXR1H471K	C CAPACITOR	470pF 50V K	1	
	C9527	CK73EXR1E106K	C CAPACITOR	10uF 25V K	1	
	R100	RK73HB1J471J	MG RESISTOR	470Ω 1/16W J	1	
	R101	RK73HB1J000J	MG RESISTOR	0Ω 1/16W J	1	
	R103	RK73HB1J473J	MG RESISTOR	47kΩ 1/16W J	1	
	R104	RK73HB1J473J	MG RESISTOR	47kΩ 1/16W J	1	
	R118	RK73HB1J101J	MG RESISTOR	100Ω 1/16W J	1	
	R119	RK73HB1J101J	MG RESISTOR	100Ω 1/16W J	1	
	R120	RK73HB1J101J	MG RESISTOR	100Ω 1/16W J	1	
	R145	RK73HB1J680J	MG RESISTOR	68Ω 1/16W J	1	
	R146	RK73HB1J680J	MG RESISTOR	68Ω 1/16W J	1	
	R147	RK73HB1J680J	MG RESISTOR	68Ω 1/16W J	1	
	R148	RK73HB1J680J	MG RESISTOR	68Ω 1/16W J	1	
	R149	RK73HB1J680J	MG RESISTOR	68Ω 1/16W J	1	
	R150	RK73HB1J680J	MG RESISTOR	68Ω 1/16W J	1	
	R160	RK73HB1J000J	MG RESISTOR	0Ω 1/16W J	1	M1
	R161	RK73HB1J000J	MG RESISTOR	0Ω 1/16W J	1	M1,K0
	R162	RK73HB1J101J	MG RESISTOR	100Ω 1/16W J	1	
	R165	RK73HH1J152D	MG RESISTOR	1.5kΩ 1/16W D	1	
	R166	RK73HH1J822D	MG RESISTOR	8.2kΩ 1/16W D	1	
	R173	RK73HB1J101J	MG RESISTOR	100Ω 1/16W J	1	
	R175	RK73GB2A000J	MG RESISTOR	0Ω 1/10W J	1	K2,E1,K1,K3,K0
	R176	RK73GB2A000J	MG RESISTOR	0Ω 1/10W J	1	K0
	R177	RK73HB1J562J	MG RESISTOR	5.6kΩ 1/16W J	1	K0
	R178	RK73HB1J752J	MG RESISTOR	7.5kΩ 1/16W J	1	K0
	R179	RK73HH1J102D	MG RESISTOR	1kΩ 1/16W D	1	K0
	R180	RK73HH1J153D	MG RESISTOR	15kΩ 1/16W D	1	K0
	R181	RK73HB1J103J	MG RESISTOR	10kΩ 1/16W J	1	K0
	R182	RK73HH1J752D	MG RESISTOR	7.5kΩ 1/16W D	1	M1
	R183	RK73HH1J132D	MG RESISTOR	1.3kΩ 1/16W D	1	M1
	R188	RK73GB2A000J	MG RESISTOR	0Ω 1/10W J	1	K2,E1,M1,K1,K3
	R220	RK73HB1J101J	MG RESISTOR	100Ω 1/16W J	1	
	R221	RK73HB1J101J	MG RESISTOR	100Ω 1/16W J	1	
	R222	RK73HB1J000J	MG RESISTOR	0Ω 1/16W J	1	
	R223	RK73HB1J822J	MG RESISTOR	8.2kΩ 1/16W J	1	
	R224	RK73HB1J103J	MG RESISTOR	10kΩ 1/16W J	1	
	R225	RK73HB1J333J	MG RESISTOR	33kΩ 1/16W J	1	
	R226	RK73HB1J122J	MG RESISTOR	1.2kΩ 1/16W J	1	
	R227	RK73HB1J124J	MG RESISTOR	120kΩ 1/16W J	1	
	R229	RK73HB1J122J	MG RESISTOR	1.2kΩ 1/16W J	1	
	R230	RK73HB1J124J	MG RESISTOR	120kΩ 1/16W J	1	
	R231	RK73HB1J103J	MG RESISTOR	10kΩ 1/16W J	1	
	R232	RK73GB2A103J	MG RESISTOR	10kΩ 1/10W J	1	
	R233	RK73HB1J681J	MG RESISTOR	680Ω 1/16W J	1	
	R234	RK73HB1J222J	MG RESISTOR	2.2kΩ 1/16W J	1	
	R235	RK73HB1J103J	MG RESISTOR	10kΩ 1/16W J	1	
	R236	RK73HB1J103J	MG RESISTOR	10kΩ 1/16W J	1	
	R237	RK73HB1J471J	MG RESISTOR	470Ω 1/16W J	1	
	R238	RK73HB1J103J	MG RESISTOR	10kΩ 1/16W J	1	

MODEL	MARK	MODEL	MARK	MODEL	MARK	MODEL	MARK
DPX504BT	K2	DPX-5200BT	E1	DPX-5200BT	M1	DPX524BT	K1
DPX560BT	K3	DPX594BT	K0				

Safe	Symbol No.	Parts No.	Parts Name	Description	QTY	Local
	R250	RK73HB1J181J	MG RESISTOR	180Ω 1/16W J	1	
	R251	RK73HB1J223J	MG RESISTOR	22kΩ 1/16W J	1	
	R252	RK73HB1J331J	MG RESISTOR	330Ω 1/16W J	1	
	R253	RK73HB1J000J	MG RESISTOR	0Ω 1/16W J	1	K2,M1,K1,K3,K0
	R254	RK73HB1J472J	MG RESISTOR	4.7kΩ 1/16W J	1	
	R260	RK73HB1J181J	MG RESISTOR	180Ω 1/16W J	1	E1
	R261	RK73HB1J223J	MG RESISTOR	22kΩ 1/16W J	1	E1
	R262	RK73HB1J331J	MG RESISTOR	330Ω 1/16W J	1	E1
	R264	RK73HB1J472J	MG RESISTOR	4.7kΩ 1/16W J	1	E1
	R270	RK73GB2A104J	MG RESISTOR	100kΩ 1/10W J	1	
	R271	RK73HB1J331J	MG RESISTOR	330Ω 1/16W J	1	
	R272	RK73HB1J303J	MG RESISTOR	30kΩ 1/16W J	1	
	R273	RK73GB2A223J	MG RESISTOR	22kΩ 1/10W J	1	
	R274	RK73HB1J332J	MG RESISTOR	3.3kΩ 1/16W J	1	
	R302	RK73HB1J432J	MG RESISTOR	4.3kΩ 1/16W J	1	
	R303	RK73EB2E160J	MG RESISTOR	16Ω 1/4W J	1	
	R304	RK73HB1J473J	MG RESISTOR	47kΩ 1/16W J	1	
	R305	RK73EB2E1R0J	MG RESISTOR	1.0Ω 1/4W J	1	
	R316	RK73HB1J680J	MG RESISTOR	68Ω 1/16W J	1	
	R317	RK73HB1J680J	MG RESISTOR	68Ω 1/16W J	1	
	R318	RK73HB1J680J	MG RESISTOR	68Ω 1/16W J	1	
	R319	RK73HB1J680J	MG RESISTOR	68Ω 1/16W J	1	
	R320	RK73HB1J181J	MG RESISTOR	180Ω 1/16W J	1	
	R321	RK73HB1J223J	MG RESISTOR	22kΩ 1/16W J	1	
	R322	RK73HB1J472J	MG RESISTOR	4.7kΩ 1/16W J	1	
	R323	RK73HB1J331J	MG RESISTOR	330Ω 1/16W J	1	
	R330	RK73HB1J181J	MG RESISTOR	180Ω 1/16W J	1	
	R331	RK73HB1J223J	MG RESISTOR	22kΩ 1/16W J	1	
	R332	RK73HB1J472J	MG RESISTOR	4.7kΩ 1/16W J	1	
	R333	RK73HB1J331J	MG RESISTOR	330Ω 1/16W J	1	
	R340	RK73HB1J181J	MG RESISTOR	180Ω 1/16W J	1	K2,M1,K1,K3,K0
	R341	RK73HB1J223J	MG RESISTOR	22kΩ 1/16W J	1	K2,M1,K1,K3,K0
	R342	RK73HB1J472J	MG RESISTOR	4.7kΩ 1/16W J	1	K2,M1,K1,K3,K0
	R343	RK73HB1J331J	MG RESISTOR	330Ω 1/16W J	1	K2,M1,K1,K3,K0
	R350	RK73HB1J181J	MG RESISTOR	180Ω 1/16W J	1	K2,M1,K1,K3,K0
	R351	RK73HB1J223J	MG RESISTOR	22kΩ 1/16W J	1	K2,M1,K1,K3,K0
	R352	RK73HB1J472J	MG RESISTOR	4.7kΩ 1/16W J	1	K2,M1,K1,K3,K0
	R353	RK73HB1J331J	MG RESISTOR	330Ω 1/16W J	1	K2,M1,K1,K3,K0
	R370	RK73GB2A683J	MG RESISTOR	68kΩ 1/10W J	1	
	R371	RK73GB2A123J	MG RESISTOR	12kΩ 1/10W J	1	
	R372	RK73HB1J103J	MG RESISTOR	10kΩ 1/16W J	1	
	R373	RK73HB1J102J	MG RESISTOR	1kΩ 1/16W J	1	
	R390	RK73EB2E472J	MG RESISTOR	4.7kΩ 1/4W J	1	
	R400	RK73HB1J102J	MG RESISTOR	1kΩ 1/16W J	1	
	R410	RK73HB1J101J	MG RESISTOR	100Ω 1/16W J	1	
	R411	RK73HB1J101J	MG RESISTOR	100Ω 1/16W J	1	
	R413	RK73HB1J472J	MG RESISTOR	4.7kΩ 1/16W J	1	
	R414	RK73HB1J472J	MG RESISTOR	4.7kΩ 1/16W J	1	
	R468	RK73GB2A100J	MG RESISTOR	10Ω 1/10W J	1	K2,K0
	R469	RK73GB2A4R7J	MG RESISTOR	4.7Ω 1/10W J	1	K2,K0
	R470	RK73GB2A100J	MG RESISTOR	10Ω 1/10W J	1	K2,K0
	R471	RK73HB1J101J	MG RESISTOR	100Ω 1/16W J	1	K2,K0
	R472	RK73HB1J101J	MG RESISTOR	100Ω 1/16W J	1	K2,K0
	R473	RK73HB1J472J	MG RESISTOR	4.7kΩ 1/16W J	1	K2,K0
	R474	RK73FB2B221J	MG RESISTOR	220Ω 1/8W J	1	K2,K0
	R475	RK73HB1J100J	MG RESISTOR	10Ω 1/16W J	1	K2,K0
	R476	RK73HB1J223J	MG RESISTOR	22kΩ 1/16W J	1	K2,K0
	R477	RK73HB1J104J	MG RESISTOR	100kΩ 1/16W J	1	K2,K0
	R541	RK73HB1J512J	MG RESISTOR	5.1kΩ 1/16W J	1	
	R542	RK73HB1J102J	MG RESISTOR	1kΩ 1/16W J	1	
	R543	RK73EB2E200J	MG RESISTOR	20Ω 1/4W J	1	
	R544	RK73HB1J393J	MG RESISTOR	39kΩ 1/16W J	1	
	R545	RK73HH1J183D	MG RESISTOR	18kΩ 1/16W D	1	
	R546	RK73HH1J393D	MG RESISTOR	39kΩ 1/16W D	1	
	R548	RK73HH1J683D	MG RESISTOR	68kΩ 1/16W D	1	
	R549	RK73HB1J222J	MG RESISTOR	2.2kΩ 1/16W J	1	
	R600	RK73GB2A102J	MG RESISTOR	1kΩ 1/10W J	1	
	R602	RK73GB2A820J	MG RESISTOR	82Ω 1/10W J	1	
	R603	RK73HB1J105J	MG RESISTOR	1MΩ 1/16W J	1	
	R604	RK73HB1J105J	MG RESISTOR	1MΩ 1/16W J	1	
	R605	RK73HB1J4R7J	MG RESISTOR	4.7Ω 1/16W J	1	
	R606	RK73HB1J101J	MG RESISTOR	100Ω 1/16W J	1	
	R607	RK73HB1J101J	MG RESISTOR	100Ω 1/16W J	1	
	R682	RK73HB1J101J	MG RESISTOR	100Ω 1/16W J	1	
	R683	RK73HB1J000J	MG RESISTOR	0Ω 1/16W J	1	
	R684	RK73HB1J392J	MG RESISTOR	3.9kΩ 1/16W J	1	
	R685	RK73HB1J392J	MG RESISTOR	3.9kΩ 1/16W J	1	
	R702	RK73HB1J222J	MG RESISTOR	2.2kΩ 1/16W J	1	
	R703	RK73HB1J101J	MG RESISTOR	100Ω 1/16W J	1	
	R704	RK73HB1J222J	MG RESISTOR	2.2kΩ 1/16W J	1	
	R705	RK73HB1J101J	MG RESISTOR	100Ω 1/16W J	1	
	R706	RK73HB1J332J	MG RESISTOR	3.3kΩ 1/16W J	1	
	R707	RK73HB1J101J	MG RESISTOR	100Ω 1/16W J	1	
	R709	RK73HB1J472J	MG RESISTOR	4.7kΩ 1/16W J	1	
	R710	RK73HB1J682J	MG RESISTOR	6.8kΩ 1/16W J	1	
	R711	RK73HB1J472J	MG RESISTOR	4.7kΩ 1/16W J	1	
	R712	RK73HB1J473J	MG RESISTOR	47kΩ 1/16W J	1	
	R715	RK73HB1J101J	MG RESISTOR	100Ω 1/16W J	1	
	R718	RK73HB1J472J	MG RESISTOR	4.7kΩ 1/16W J	1	
	R721	RK73HB1J101J	MG RESISTOR	100Ω 1/16W J	1	
	R722	RK73HB1J101J	MG RESISTOR	100Ω 1/16W J	1	
	R723	RK73HB1J101J	MG RESISTOR	100Ω 1/16W J	1	

MODEL	MARK	MODEL	MARK	MODEL	MARK	MODEL	MARK
DPX504BT	K2	DPX-5200BT	E1	DPX-5200BT	M1	DPX524BT	K1
DPX560BT	K3	DPX594BT	K0				

Safe	Symbol No.	Parts No.	Parts Name	Description	QTY	Local
	R725	RK73HB1J101J	MG RESISTOR	100Ω 1/16W J	1	
	R730	RK73HB1J222J	MG RESISTOR	2.2kΩ 1/16W J	1	
	R731	RK73HB1J101J	MG RESISTOR	100Ω 1/16W J	1	
	R733	RK73HB1J103J	MG RESISTOR	10kΩ 1/16W J	1	
	R734	RK73HB1J101J	MG RESISTOR	100Ω 1/16W J	1	
	R735	RK73HB1J273J	MG RESISTOR	27kΩ 1/16W J	1	
	R737	RK73HB1J101J	MG RESISTOR	100Ω 1/16W J	1	
	R738	RK73HB1J103J	MG RESISTOR	10kΩ 1/16W J	1	
	R739	RK73HB1J102J	MG RESISTOR	1kΩ 1/16W J	1	
	R740	RK73HB1J472J	MG RESISTOR	4.7kΩ 1/16W J	1	
	R741	RK73GB2A473J	MG RESISTOR	47kΩ 1/10W J	1	
	R742	RK73HB1J101J	MG RESISTOR	100Ω 1/16W J	1	
	R743	RK73HB1J222J	MG RESISTOR	2.2kΩ 1/16W J	1	
	R744	RK73HB1J101J	MG RESISTOR	100Ω 1/16W J	1	
	R746	RK73HB1J000J	MG RESISTOR	0Ω 1/16W J	1	
	R748	RK73HB1J101J	MG RESISTOR	100Ω 1/16W J	1	
	R750	RK73HB1J101J	MG RESISTOR	100Ω 1/16W J	1	
	R753	RK73HB1J273J	MG RESISTOR	27kΩ 1/16W J	1	
	R755	RK73HB1J103J	MG RESISTOR	10kΩ 1/16W J	1	
	R756	RK73HB1J101J	MG RESISTOR	100Ω 1/16W J	1	
	R760	RK73HB1J000J	MG RESISTOR	0Ω 1/16W J	1	
	R761	RK73HB1J000J	MG RESISTOR	0Ω 1/16W J	1	
	R762	RK73HB1J330J	MG RESISTOR	33Ω 1/16W J	1	
	R763	RK73HB1J101J	MG RESISTOR	100Ω 1/16W J	1	
	R766	RK73HB1J102J	MG RESISTOR	1kΩ 1/16W J	1	
	R768	RK73HB1J393J	MG RESISTOR	39kΩ 1/16W J	1	E1
	R768	RK73HB1J333J	MG RESISTOR	33kΩ 1/16W J	1	M1
	R769	RK73HB1J473J	MG RESISTOR	47kΩ 1/16W J	1	K2,K1,K3,K0
	R769	RK73HB1J822J	MG RESISTOR	8.2kΩ 1/16W J	1	E1
	R769	RK73HB1J153J	MG RESISTOR	15kΩ 1/16W J	1	M1
	R770	RK73HB1J153J	MG RESISTOR	15kΩ 1/16W J	1	K2
	R770	RK73HB1J223J	MG RESISTOR	22kΩ 1/16W J	1	K1
	R770	RK73HB1J473J	MG RESISTOR	47kΩ 1/16W J	1	K3
	R770	RK73HB1J273J	MG RESISTOR	27kΩ 1/16W J	1	K0
	R771	RK73HB1J333J	MG RESISTOR	33kΩ 1/16W J	1	K2
	R771	RK73HB1J473J	MG RESISTOR	47kΩ 1/16W J	1	E1,M1
	R771	RK73HB1J273J	MG RESISTOR	27kΩ 1/16W J	1	K1
	R771	RK73HB1J223J	MG RESISTOR	22kΩ 1/16W J	1	K0
	R772	RK73HB1J101J	MG RESISTOR	100Ω 1/16W J	1	
	R775	RK73HB1J152J	MG RESISTOR	1.5kΩ 1/16W J	1	M1,K1
	R776	RK73HB1J152J	MG RESISTOR	1.5kΩ 1/16W J	1	M1,K1
	R777	RK73HB1J101J	MG RESISTOR	100Ω 1/16W J	1	
	R778	RK73HB1J101J	MG RESISTOR	100Ω 1/16W J	1	
	R779	RK73HB1J470J	MG RESISTOR	47Ω 1/16W J	1	M1,K1
	R781	RK73HB1J470J	MG RESISTOR	47Ω 1/16W J	1	M1,K1
	R782	RK73HB1J330J	MG RESISTOR	33Ω 1/16W J	1	
	R783	RK73HH1J472D	MG RESISTOR	4.7kΩ 1/16W D	1	M1,K1
	R784	RK73HH1J472D	MG RESISTOR	4.7kΩ 1/16W D	1	M1,K1
	R785	RK73HB1J330J	MG RESISTOR	33Ω 1/16W J	1	
	R786	RK73GB2A681J	MG RESISTOR	680Ω 1/10W J	1	M1,K1
	R788	RK73HH1J823D	MG RESISTOR	82kΩ 1/16W D	1	
	R789	RK73HH1J393D	MG RESISTOR	39kΩ 1/16W D	1	
	R790	RK73HB1J4R7J	MG RESISTOR	4.7Ω 1/16W J	1	
	R791	RK73GB2A681J	MG RESISTOR	680Ω 1/10W J	1	M1,K1
	R792	RK73HB1J4R7J	MG RESISTOR	4.7Ω 1/16W J	1	
	R793	RK73HB1J273J	MG RESISTOR	27kΩ 1/16W J	1	
	R794	RK73HB1J101J	MG RESISTOR	100Ω 1/16W J	1	
	R795	RK73HB1J101J	MG RESISTOR	100Ω 1/16W J	1	
	R796	RK73HH1J302D	MG RESISTOR	3kΩ 1/16W D	1	
	R797	RK73HB1J222J	MG RESISTOR	2.2kΩ 1/16W J	1	
	R798	RK73HB1J222J	MG RESISTOR	2.2kΩ 1/16W J	1	
	R799	RK73HB1J105J	MG RESISTOR	1MΩ 1/16W J	1	
	R800	RK73HB1J000J	MG RESISTOR	0Ω 1/16W J	1	
	R801	RK73HB1J102J	MG RESISTOR	1kΩ 1/16W J	1	
	R802	RK73GB2A473J	MG RESISTOR	47kΩ 1/10W J	1	E1
	R803	RK73HB1J225J	MG RESISTOR	2.2MΩ 1/16W J	1	K2,M1,K1,K3,K0
	R804	RK73HB1J473J	MG RESISTOR	47kΩ 1/16W J	1	
	R805	RK73HB1J102J	MG RESISTOR	1kΩ 1/16W J	1	
	R806	RK73HB1J102J	MG RESISTOR	1kΩ 1/16W J	1	
	R808	RK73HB1J680J	MG RESISTOR	68Ω 1/16W J	1	
	R809	RK73HB1J102J	MG RESISTOR	1kΩ 1/16W J	1	
	R811	RK73HB1J101J	MG RESISTOR	100Ω 1/16W J	1	
	R813	RK73HB1J000J	MG RESISTOR	0Ω 1/16W J	1	
	R814	RK73HB1J220J	MG RESISTOR	22Ω 1/16W J	1	
	R815	RK73HB1J220J	MG RESISTOR	22Ω 1/16W J	1	
	R819	RK73HB1J220J	MG RESISTOR	22Ω 1/16W J	1	
	R820	RK73HB1J473J	MG RESISTOR	47kΩ 1/16W J	1	
	R823	RK73HB1J470J	MG RESISTOR	47Ω 1/16W J	1	
	R824	RK73HB1J473J	MG RESISTOR	47kΩ 1/16W J	1	
	R827	RK73HB1J103J	MG RESISTOR	10kΩ 1/16W J	1	
	R828	RK73HB1J103J	MG RESISTOR	10kΩ 1/16W J	1	
	R829	RK73HB1J220J	MG RESISTOR	22Ω 1/16W J	1	
	R831	RK73HB1J222J	MG RESISTOR	2.2kΩ 1/16W J	1	
	R832	RK73HB1J101J	MG RESISTOR	100Ω 1/16W J	1	
	R833	RK73HB1J220J	MG RESISTOR	22Ω 1/16W J	1	
	R834	RK73HB1J220J	MG RESISTOR	22Ω 1/16W J	1	
	R835	RK73HB1J220J	MG RESISTOR	22Ω 1/16W J	1	
	R836	RK73HB1J330J	MG RESISTOR	33Ω 1/16W J	1	
	R837	RK73HB1J511J	MG RESISTOR	510Ω 1/16W J	1	M1,K1
	R838	RK73HB1J511J	MG RESISTOR	510Ω 1/16W J	1	M1,K1

MODEL	MARK	MODEL	MARK	MODEL	MARK	MODEL	MARK
DPX504BT	K2	DPX-5200BT	E1	DPX-5200BT	M1	DPX524BT	K1
DPX560BT	K3	DPX594BT	K0				

Safe	Symbol No.	Parts No.	Parts Name	Description	QTY	Local
	R839	RK73HB1J102J	MG RESISTOR	1kΩ 1/16W J	1	M1,K1
	R840	RK73HB1J102J	MG RESISTOR	1kΩ 1/16W J	1	M1,K1
	R841	RK73HB1J104J	MG RESISTOR	100kΩ 1/16W J	1	M1,K1
	R842	RK73HB1J104J	MG RESISTOR	100kΩ 1/16W J	1	M1,K1
	R843	RK73HB1J222J	MG RESISTOR	2.2kΩ 1/16W J	1	M1,K1
	R844	RK73HB1J332J	MG RESISTOR	3.3kΩ 1/16W J	1	
	R845	RK73HB1J473J	MG RESISTOR	47kΩ 1/16W J	1	
	R846	RK73HB1J473J	MG RESISTOR	47kΩ 1/16W J	1	
	R870	RK73HB1J562J	MG RESISTOR	5.6kΩ 1/16W J	1	
	R889	RK73HB1J332J	MG RESISTOR	3.3kΩ 1/16W J	1	
	R891	RK73HH1J243D	MG RESISTOR	24kΩ 1/16W D	1	
	R893	RK73HB1J222J	MG RESISTOR	2.2kΩ 1/16W J	1	
	R903	RK73HH1J394D	MG RESISTOR	390kΩ 1/16W D	1	K2,E1,K1,K3
	R903	RK73HH1J474D	MG RESISTOR	470kΩ 1/16W D	1	M1
	R903	RK73HH1J334D	MG RESISTOR	330kΩ 1/16W D	1	K0
	R904	RK73HH1J103D	MG RESISTOR	10kΩ 1/16W D	1	K2,E1,K1,K3
	R904	RK73HH1J563D	MG RESISTOR	56kΩ 1/16W D	1	M1
	R904	RK73HH1J473D	MG RESISTOR	47kΩ 1/16W D	1	K0
	R905	RK73HB1J101J	MG RESISTOR	100Ω 1/16W J	1	
	R908	RK73HH1J154D	MG RESISTOR	150kΩ 1/16W D	1	
	R909	RK73HH1J473D	MG RESISTOR	47kΩ 1/16W D	1	
	R910	RK73HB1J102J	MG RESISTOR	1kΩ 1/16W J	1	
	R911	RK73HB1J683J	MG RESISTOR	68kΩ 1/16W J	1	
	R912	RK73HB1J101J	MG RESISTOR	100Ω 1/16W J	1	
	R913	RK73HB1J101J	MG RESISTOR	100Ω 1/16W J	1	
	R917	RK73HH1J393D	MG RESISTOR	39kΩ 1/16W D	1	
	R920	RK73HH1J124D	MG RESISTOR	120kΩ 1/16W D	1	
	R921	RK73HH1J153D	MG RESISTOR	15kΩ 1/16W D	1	
	R922	RK73HB1J102J	MG RESISTOR	1kΩ 1/16W J	1	
	R923	RK73HH1J564D	MG RESISTOR	560kΩ 1/16W D	1	
	R924	RK73HB1J000J	MG RESISTOR	0Ω 1/16W J	1	
	R925	RK73HH1J184D	MG RESISTOR	180kΩ 1/16W D	1	
	R927	RK73GB2A103J	MG RESISTOR	10kΩ 1/10W J	1	
	R928	RK73GB2A101J	MG RESISTOR	100Ω 1/10W J	1	
	R929	RK73GB2A101J	MG RESISTOR	100Ω 1/10W J	1	
	R933	RK73HH1J684D	MG RESISTOR	680kΩ 1/16W D	1	
	R934	RK73HH1J563D	MG RESISTOR	56kΩ 1/16W D	1	
	R939	RK73HH1J433D	MG RESISTOR	43kΩ 1/16W D	1	
	R940	RK73HH1J123D	MG RESISTOR	12kΩ 1/16W D	1	
	R941	RK73HH1J393D	MG RESISTOR	39kΩ 1/16W D	1	
	R946	RK73HB1J222J	MG RESISTOR	2.2kΩ 1/16W J	1	
	R949	RK73GB2A000J	MG RESISTOR	0Ω 1/10W J	1	
	R950	RK73HB1J000J	MG RESISTOR	0Ω 1/16W J	1	
	R951	RK73HB1J471J	MG RESISTOR	470Ω 1/16W J	1	
	R952	RK73HB1J000J	MG RESISTOR	0Ω 1/16W J	1	
	R954	RK73GB2A222J	MG RESISTOR	2.2kΩ 1/10W J	1	
	R955	RK73EB2E184J	MG RESISTOR	180kΩ 1/4W J	1	
	R961	RK73HB1J153J	MG RESISTOR	15kΩ 1/16W J	1	
	R980	RK73EB2E682J	MG RESISTOR	6.8kΩ 1/4W J	1	
	R981	RK73EB2E682J	MG RESISTOR	6.8kΩ 1/4W J	1	
	R982	RK73EB2E473J	MG RESISTOR	47kΩ 1/4W J	1	
	R984	RK73EB2E473J	MG RESISTOR	47kΩ 1/4W J	1	
	R993	RK73HB1J000J	MG RESISTOR	0Ω 1/16W J	1	
	R1070	RK73HB1J102J	MG RESISTOR	1kΩ 1/16W J	1	
	R1300	RK73HB1J562J	MG RESISTOR	5.6kΩ 1/16W J	1	
	R1302	RK73HB1J220J	MG RESISTOR	22Ω 1/16W J	1	
	R1303	RK73HB1J220J	MG RESISTOR	22Ω 1/16W J	1	
	R1900	RK73HB1J330J	MG RESISTOR	33Ω 1/16W J	1	
	R1901	RK73HB1J330J	MG RESISTOR	33Ω 1/16W J	1	
	R1902	RK73HB1J330J	MG RESISTOR	33Ω 1/16W J	1	
	R1903	RK73HB1J330J	MG RESISTOR	33Ω 1/16W J	1	
	R1904	RK73HB1J330J	MG RESISTOR	33Ω 1/16W J	1	
	R1905	RK73HB1J330J	MG RESISTOR	33Ω 1/16W J	1	
	R1906	RK73HB1J330J	MG RESISTOR	33Ω 1/16W J	1	
	R1907	RK73HB1J330J	MG RESISTOR	33Ω 1/16W J	1	
	R1908	RK73HB1J330J	MG RESISTOR	33Ω 1/16W J	1	
	R1909	RK73HB1J330J	MG RESISTOR	33Ω 1/16W J	1	
	R1910	RK73HB1J330J	MG RESISTOR	33Ω 1/16W J	1	
	R1911	RK73HB1J330J	MG RESISTOR	33Ω 1/16W J	1	
	R1912	RK73HB1J330J	MG RESISTOR	33Ω 1/16W J	1	
	R1913	RK73HB1J330J	MG RESISTOR	33Ω 1/16W J	1	
	R1914	RK73HB1J330J	MG RESISTOR	33Ω 1/16W J	1	
	R1915	RK73HB1J330J	MG RESISTOR	33Ω 1/16W J	1	
	R1920	RK73HB1J000J	MG RESISTOR	0Ω 1/16W J	1	
	R1921	RK73HB1J470J	MG RESISTOR	47Ω 1/16W J	1	
	R1922	RK73HB1J330J	MG RESISTOR	33Ω 1/16W J	1	
	R1923	RK73HB1J330J	MG RESISTOR	33Ω 1/16W J	1	
	R1924	RK73HB1J330J	MG RESISTOR	33Ω 1/16W J	1	
	R1925	RK73HB1J330J	MG RESISTOR	33Ω 1/16W J	1	
	R1926	RK73HB1J330J	MG RESISTOR	33Ω 1/16W J	1	
	R1927	RK73HB1J330J	MG RESISTOR	33Ω 1/16W J	1	
	R1928	RK73HB1J330J	MG RESISTOR	33Ω 1/16W J	1	
	R1929	RK73HB1J330J	MG RESISTOR	33Ω 1/16W J	1	
	R1930	RK73HB1J330J	MG RESISTOR	33Ω 1/16W J	1	
	R1931	RK73HB1J330J	MG RESISTOR	33Ω 1/16W J	1	
	R1932	RK73HB1J000J	MG RESISTOR	0Ω 1/16W J	1	
	R1933	RK73HB1J330J	MG RESISTOR	33Ω 1/16W J	1	
	R1934	RK73HB1J330J	MG RESISTOR	33Ω 1/16W J	1	
	R1935	RK73HB1J330J	MG RESISTOR	33Ω 1/16W J	1	
	R1936	RK73HB1J330J	MG RESISTOR	33Ω 1/16W J	1	
	R1937	RK73HB1J330J	MG RESISTOR	33Ω 1/16W J	1	
	R1938	RK73HB1J330J	MG RESISTOR	33Ω 1/16W J	1	

MODEL	MARK	MODEL	MARK	MODEL	MARK	MODEL	MARK
DPX504BT	K2	DPX-5200BT	E1	DPX-5200BT	M1	DPX524BT	K1
DPX560BT	K3	DPX594BT	K0				

Safe	Symbol No.	Parts No.	Parts Name	Description	QTY	Local
	R1939	RK73HB1J330J	MG RESISTOR	33Ω 1/16W J	1	
	R1940	RK73HB1J330J	MG RESISTOR	33Ω 1/16W J	1	
	R1941	RK73HB1J330J	MG RESISTOR	33Ω 1/16W J	1	
	R1942	RK73HB1J330J	MG RESISTOR	33Ω 1/16W J	1	
	R1943	RK73HB1J330J	MG RESISTOR	33Ω 1/16W J	1	
	R1944	RK73HB1J330J	MG RESISTOR	33Ω 1/16W J	1	
	R2002	RK73HB1J101J	MG RESISTOR	100Ω 1/16W J	1	
	R2003	RK73HB1J220J	MG RESISTOR	22Ω 1/16W J	1	
	R2004	RK73HB1J220J	MG RESISTOR	22Ω 1/16W J	1	
	R2006	RK73HB1J101J	MG RESISTOR	100Ω 1/16W J	1	
	R2007	RK73HB1J000J	MG RESISTOR	0Ω 1/16W J	1	K2,K0
	R2008	RK73HB1J101J	MG RESISTOR	100Ω 1/16W J	1	
	R2010	RK73HB1J000J	MG RESISTOR	0Ω 1/16W J	1	
	R2011	RK73HB1J101J	MG RESISTOR	100Ω 1/16W J	1	
	R2012	RK73HB1J220J	MG RESISTOR	22Ω 1/16W J	1	
	R2013	RK73HB1J101J	MG RESISTOR	100Ω 1/16W J	1	
	R2014	RK73HB1J103J	MG RESISTOR	10kΩ 1/16W J	1	
	R2016	RK73HB1J000J	MG RESISTOR	0Ω 1/16W J	1	
	R2017	RK73HB1J000J	MG RESISTOR	0Ω 1/16W J	1	
	R2018	RK73HB1J000J	MG RESISTOR	0Ω 1/16W J	1	
	R2019	RK73HB1J000J	MG RESISTOR	0Ω 1/16W J	1	
	R2021	RK73HB1J220J	MG RESISTOR	22Ω 1/16W J	1	
	R2023	RK73HB1J101J	MG RESISTOR	100Ω 1/16W J	1	
	R2026	RK73HB1J000J	MG RESISTOR	0Ω 1/16W J	1	
	R2029	RK73HB1J101J	MG RESISTOR	100Ω 1/16W J	1	
	R2033	RK73HB1J222J	MG RESISTOR	2.2kΩ 1/16W J	1	
	R2034	RK73HB1J222J	MG RESISTOR	2.2kΩ 1/16W J	1	
	R7571	RK73HB1J472J	MG RESISTOR	4.7kΩ 1/16W J	1	
	R7581	RK73HB1J472J	MG RESISTOR	4.7kΩ 1/16W J	1	
	R7641	RK73HB1J472J	MG RESISTOR	4.7kΩ 1/16W J	1	
	R7651	RK73HB1J472J	MG RESISTOR	4.7kΩ 1/16W J	1	
	R9001	RK73HB1J000J	MG RESISTOR	0Ω 1/16W J	1	
	R9006	RK73HB1J101J	MG RESISTOR	100Ω 1/16W J	1	
	R9011	RK73HB1J101J	MG RESISTOR	100Ω 1/16W J	1	
	R9019	RK73HB1J101J	MG RESISTOR	100Ω 1/16W J	1	
	R9029	RK73HB1J272J	MG RESISTOR	2.7kΩ 1/16W J	1	
	R9030	RK73HB1J101J	MG RESISTOR	100Ω 1/16W J	1	
	R9031	RK73HB1J101J	MG RESISTOR	100Ω 1/16W J	1	
	R9201	RK73HH1J100D	MG RESISTOR	10Ω 1/16W D	1	
	R9710	RK73HB1J472J	MG RESISTOR	4.7kΩ 1/16W J	1	
	R9711	RK73HB1J472J	MG RESISTOR	4.7kΩ 1/16W J	1	
	R9712	RK73HB1J472J	MG RESISTOR	4.7kΩ 1/16W J	1	
	R9713	RK73HB1J472J	MG RESISTOR	4.7kΩ 1/16W J	1	
	L165	LR73Z0AD100M	CHIP INDUCTOR		1	K0
	L411	LR73Z0AD4R7M	CHIP INDUCTOR		1	
	L540	LK73Z0CA4R7M	M.CHIP INDUCTOR		1	
	L541	LR79Z0JM100M	CHIP INDUCTOR		1	
	L600	LR73Z0AD1R0M	CHIP INDUCTOR		1	
	L601	LK73G0BE4R7K	M.CHIP INDUCTOR		1	
	L602	LK73H0BUR47K	M.CHIP INDUCTOR		1	
	L603	LK73H0BUR10K	M.CHIP INDUCTOR		1	
	L604	LK73H0BU1R0K	M.CHIP INDUCTOR		1	
	L605	LK73H0BUR22K	M.CHIP INDUCTOR		1	
	L606	LK73H0BUR12K	M.CHIP INDUCTOR		1	
	L607	LK73H0BUR15K	M.CHIP INDUCTOR		1	
	L691	LR73Z0AD1R0M	CHIP INDUCTOR		1	
	L701	LR73Z0AD4R7M	CHIP INDUCTOR		1	
	L702	LB73H0AY-004	CHIP FERRITE		1	
	L706	LB73H0AY-004	CHIP FERRITE		1	K2,K0
	L707	LB73H0AY-004	CHIP FERRITE		1	K2,K0
	L708	LB73H0CT-002	CHIP FERRITE		1	
	L709	LB73H0AY-004	CHIP FERRITE		1	
	L821	LB73G0ED-002	CHIP FERRITE		1	
	L830	LB73G0ED-002	CHIP FERRITE		1	
	L901	LR79Z0JM330M	CHIP INDUCTOR		1	
	L902	LR79Z0JM330M	CHIP INDUCTOR		1	
	L903	LK73Z0CA4R7M	M.CHIP INDUCTOR		1	
	L990	L3D-0043-00	CHOKE COIL		1	
	L2006	RK73HH1J470D	MG RESISTOR		1	
	L9002	RK73GB2A000J	MG RESISTOR		1	
	A1303	W0C-0414-00	CIRCUIT MODULE		1	
	CN702	EA710AQ-1503A	W TO B CONNE		1	M1,K1
	CN703	EB750AA-1020C	B TO B CONNE		1	
	CN990	E5J-0139-00	R.RECEPTACLE		1	
	CN3000	EC720AE-1026B	FFC FPC CONNE		1	
	E2	J1B-0034-00	WIRE CLAMPER		1	M1,K1
	F321	F53-0513-08	PATTERN FUSE	4A	1	
	F322	F53-0513-08	PATTERN FUSE	4A	1	
△	F540	FZA10BH-2R5	FUSE (CC)		1	
	J220	E1B-0013-00	3.5D PHONE JACK		1	
	J321	E6D-0016-10	PIN JACK		1	K2,M1,K1,K3,K0
	J321	E6D-0015-10	PIN JACK		1	E1
	J470	E5G-0029-00	CYL.RECEPTACLE		1	K2,K0
	J600	E6J-0017-00	JACK OTHERS		1	
	K2005	LR73Z0AD4R7M	CHIP INDUCTOR		1	
	VA360	SDV1005E18//0	VARIATOR		1	
	VA390	SDV1005E18//0	VARIATOR		1	
	VA602	F0K-0265-00	SURGE ABSORBER		1	
	VA701	F0K-0282-00	SURGE ABSORBER		1	
	VA702	F0K-0282-00	SURGE ABSORBER		1	

MODEL	MARK	MODEL	MARK	MODEL	MARK	MODEL	MARK
DPX504BT	K2	DPX-5200BT	E1	DPX-5200BT	M1	DPX524BT	K1
DPX560BT	K3	DPX594BT	K0				

Safe	Symbol No.	Parts No.	Parts Name	Description	QTY	Local
	VA703	F0K-0282-00	SURGE ABSORBER		1	
	VA704	F0K-0282-00	SURGE ABSORBER		1	
	VA705	F0K-0282-00	SURGE ABSORBER		1	
	VA706	F0K-0282-00	SURGE ABSORBER		1	
	VA707	F0K-0282-00	SURGE ABSORBER		1	
	VA709	F0K-0282-00	SURGE ABSORBER		1	
	VA710	F0K-0282-00	SURGE ABSORBER		1	
	VA711	F0K-0282-00	SURGE ABSORBER		1	
	VA714	F0K-0282-00	SURGE ABSORBER		1	
	VA715	F0K-0282-00	SURGE ABSORBER		1	
	VA716	F0K-0282-00	SURGE ABSORBER		1	
	VA717	F0K-0282-00	SURGE ABSORBER		1	
	VA780	F0K-0282-00	SURGE ABSORBER		1	M1,K1
	VA781	F0K-0282-00	SURGE ABSORBER		1	M1,K1
	VA905	F0K-0282-00	SURGE ABSORBER		1	
	VA906	F0K-0282-00	SURGE ABSORBER		1	
	VA907	F0K-0282-00	SURGE ABSORBER		1	
	X600	L7J-0014-00	QUARTZ CRYSTAL		1	
	X701	L7J-0138-00	QUARTZ CRYSTAL		1	
	X702	L7J-0123-00	QUARTZ CRYSTAL		1	
	SWITCH PWB ASSY (XJ6-155x-0x) <XJ6>					
	IC1	BU97520AKV-M	MOS IC		1	
	IC2	BU97520AKV-M	MOS IC		1	
	IC90	SIRD630B6T	IR DETECT UNIT		1	K2,M1,K1,K3,K0
	Q1	KTC4075P/Y/	TRANSISTOR		1	
	Q50	KTC4075EP/Y/	TRANSISTOR		1	
	Q51	KTC4075EP/Y/	TRANSISTOR		1	
	Q52	KTC4075EP/Y/	TRANSISTOR		1	
	Q53	KTC4075EP/Y/	TRANSISTOR		1	
	Q54	KTC4075EP/Y/	TRANSISTOR		1	
	Q55	KTC4075EP/Y/	TRANSISTOR		1	
	Q56	KTC4075EP/Y/	TRANSISTOR		1	
	Q57	KTC4075EP/Y/	TRANSISTOR		1	
	Q58	KTC4075EP/Y/	TRANSISTOR		1	
	Q90	KRA302E-P	DIGI TRANSISTOR		1	K2,M1,K1,K3,K0
	Q91	KRC402E-P	DIGI TRANSISTOR		1	K2,M1,K1,K3,K0
	D1	UDZV5.6B	ZENER DIODE		1	
	D2	SM5818PL	SCHOTTKY DIODE		1	
	D20	QSMH-C199	LED		1	
	D40	LRTBGVTG-U//0	LED		1	
	D41	LRTBGVTG-U//0	LED		1	
	D42	LRTBGVTG-U//0	LED		1	
	D43	LRTBGVTG-U//0	LED		1	
	D44	LRTBGVTG-U//0	LED		1	
	D45	LRTBGVTG-U//0	LED		1	
	D70	LRTBGVTG-U//0	LED		1	
	D71	LRTBGVTG-U//0	LED		1	
	D72	LRTBGVTG-U//0	LED		1	
	D73	LRTBGVTG-U//0	LED		1	
	D82	F0K-0282-00	SURGE ABSORBER		1	
	C1	CK73GXR1A475K	C CAPACITOR	4.7uF 10V K	1	
	C2	CK73GXR1A475K	C CAPACITOR	4.7uF 10V K	1	
	C5	CK73GXR1C105K	C CAPACITOR	1uF 16V K	1	
	C6	CK73EXR1E106K	C CAPACITOR	10uF 25V K	1	
	C7	CK73EXR1E106K	C CAPACITOR	10uF 25V K	1	
	C8	CK73EXR1E106K	C CAPACITOR	10uF 25V K	1	
	C60	CK73JXR1H102K	C CAPACITOR	1000pF 50V K	1	
	C61	CK73JXR1H102K	C CAPACITOR	1000pF 50V K	1	
	C82	CK73EXR1E106K	C CAPACITOR	10uF 25V K	1	
	C83	CK73JXR1H471K	C CAPACITOR	470pF 50V K	1	
	C84	CK73JXR1H472K	C CAPACITOR	470pF 50V K	1	
	C85	CK73JXR1H471K	C CAPACITOR	470pF 50V K	1	
	C86	CK73JXR1H472K	C CAPACITOR	470pF 50V K	1	
	C91	CK73GXR1A105K	C CAPACITOR	1uF 10V K	1	K2,M1,K1,K3,K0
	C820	CC73HCH1H221J	C CAPACITOR	220pF 50V J	1	
	C830	CK73JXR1C104K	C CAPACITOR	0.1uF 16V K	1	
	C840	CK73HXR1C104K	C CAPACITOR	0.1uF 16V K	1	
	C850	CK73JXR1C104K	C CAPACITOR	0.1uF 16V K	1	
	R1	RK73HB1J101J	MG RESISTOR	100Ω 1/16W J	1	
	R3	RK73GB2A471J	MG RESISTOR	470Ω 1/10W J	1	
	R5	RK73EB2E331J	MG RESISTOR	330Ω 1/4W J	1	
	R6	RK73EB2E102J	MG RESISTOR	1kΩ 1/4W J	1	
	R10	RK73FB2B152J	MG RESISTOR	1.5kΩ 1/8W J	1	
	R11	RK73HB1J121J	MG RESISTOR	120Ω 1/16W J	1	
	R20	RK73HB1J101J	MG RESISTOR	100Ω 1/16W J	1	
	R21	RK73HB1J101J	MG RESISTOR	100Ω 1/16W J	1	
	R22	RK73HB1J101J	MG RESISTOR	100Ω 1/16W J	1	
	R23	RK73HB1J101J	MG RESISTOR	100Ω 1/16W J	1	
	R24	RK73HB1J101J	MG RESISTOR	100Ω 1/16W J	1	
	R25	RK73HB1J101J	MG RESISTOR	100Ω 1/16W J	1	
	R26	RK73HB1J101J	MG RESISTOR	100Ω 1/16W J	1	
	R27	RK73HB1J101J	MG RESISTOR	100Ω 1/16W J	1	
	R30	RK73HB1J101J	MG RESISTOR	100Ω 1/16W J	1	
	R31	RK73HB1J101J	MG RESISTOR	100Ω 1/16W J	1	
	R32	RK73HB1J101J	MG RESISTOR	100Ω 1/16W J	1	
	R33	RK73HB1J101J	MG RESISTOR	100Ω 1/16W J	1	
	R35	RK73HB1J101J	MG RESISTOR	100Ω 1/16W J	1	
	R36	RK73HB1J101J	MG RESISTOR	100Ω 1/16W J	1	
	R37	RK73HB1J101J	MG RESISTOR	100Ω 1/16W J	1	
	R38	RK73FB2B271J	MG RESISTOR	270Ω 1/8W J	1	
	R39	RK73FB2B331J	MG RESISTOR	330Ω 1/8W J	1	

MODEL	MARK	MODEL	MARK	MODEL	MARK	MODEL	MARK
DPX504BT	K2	DPX-5200BT	E1	DPX-5200BT	M1	DPX524BT	K1
DPX560BT	K3	DPX594BT	K0				

Safe	Symbol No.	Parts No.	Parts Name	Description	QTY	Local	
	R41	RK73FB2B681J	MG RESISTOR	680Ω 1/8W J	1		
	R42	RK73FB2B271J	MG RESISTOR	270Ω 1/8W J	1		
	R43	RK73FB2B331J	MG RESISTOR	330Ω 1/8W J	1		
	R45	RK73FB2B681J	MG RESISTOR	680Ω 1/8W J	1		
	R46	RK73FB2B271J	MG RESISTOR	270Ω 1/8W J	1		
	R47	RK73FB2B331J	MG RESISTOR	330Ω 1/8W J	1		
	R49	RK73FB2B681J	MG RESISTOR	680Ω 1/8W J	1		
	R50	RK73HB1J682J	MG RESISTOR	6.8kΩ 1/16W J	1		
	R51	RK73HB1J682J	MG RESISTOR	6.8kΩ 1/16W J	1		
	R52	RK73HB1J682J	MG RESISTOR	6.8kΩ 1/16W J	1		
	R53	RK73HB1J682J	MG RESISTOR	6.8kΩ 1/16W J	1		
	R54	RK73HB1J682J	MG RESISTOR	6.8kΩ 1/16W J	1		
	R55	RK73HB1J682J	MG RESISTOR	6.8kΩ 1/16W J	1		
	R56	RK73HB1J682J	MG RESISTOR	6.8kΩ 1/16W J	1		
	R57	RK73HB1J682J	MG RESISTOR	6.8kΩ 1/16W J	1		
	R58	RK73HB1J682J	MG RESISTOR	6.8kΩ 1/16W J	1		
	R60	RK73HB1J101J	MG RESISTOR	100Ω 1/16W J	1		
	R61	RK73HB1J101J	MG RESISTOR	100Ω 1/16W J	1		
	R62	RK73HB1J4R7J	MG RESISTOR	4.7Ω 1/16W J	1		
	R71	RK73FB2B681J	MG RESISTOR	680Ω 1/8W J	1		
	R72	RK73FB2B271J	MG RESISTOR	270Ω 1/8W J	1		
	R73	RK73FB2B331J	MG RESISTOR	330Ω 1/8W J	1		
	R75	RK73FB2B681J	MG RESISTOR	680Ω 1/8W J	1		
	R76	RK73FB2B271J	MG RESISTOR	270Ω 1/8W J	1		
	R77	RK73FB2B331J	MG RESISTOR	330Ω 1/8W J	1		
	R80	RK73EB2E221J	MG RESISTOR	220Ω 1/4W J	1		
	R1001	RK73GB2A000J	MG RESISTOR	0Ω 1/10W J	1		
	L2	LR73Z0AD100M	CHIP INDUCTOR		1		
	CN1	EB760AA-1020A	B TO B CONNE		1		
	FL80	L7K-0038-00	FILTER		1		
	J60	E1B-0037-00	3.5D PHONE JACK		1		
	J80	E5J-0069-00	USB TERMINAL		1		
	S1	S7A-0001-00	TACTILE PUSH SW		1		
	S2	S7A-0001-00	TACTILE PUSH SW		1		
	S3	S7A-0001-00	TACTILE PUSH SW		1		
	S4	S7A-0001-00	TACTILE PUSH SW		1		
	S5	S7A-0001-00	TACTILE PUSH SW		1		
	S6	S7A-0001-00	TACTILE PUSH SW		1		
	S7	S7A-0001-00	TACTILE PUSH SW		1		
	S8	S7A-0001-00	TACTILE PUSH SW		1		
	S9	S7A-0001-00	TACTILE PUSH SW		1		
	S11	S7A-0001-00	TACTILE PUSH SW		1		
	S12	S7A-0001-00	TACTILE PUSH SW		1		
	S13	S7A-0001-00	TACTILE PUSH SW		1		
	S14	S7A-0001-00	TACTILE PUSH SW		1		
	S15	S7A-0001-00	TACTILE PUSH SW		1		
	S16	S7A-0001-00	TACTILE PUSH SW		1		
	S18	S7A-0001-00	TACTILE PUSH SW		1		
	S20	T9K-0007-00	ROTARY ENCODER		1		
	CD MECHA PWB ASSY (XJD-018W-00) <XJD>						
	IC1	MN6627553APA	ANALOG IC		1		
	IC2	BD8266EFV-M	ANALOG IC		1		
	Q1	2SB1197K/QR/	TRANSISTOR		1		
	C1	CK73JXR1A104K	C CAPACITOR	0.1uF 10V K	1		
	C3	CK73JXR1A104K	C CAPACITOR	0.1uF 10V K	1		
	C4	CK73JXR1A104K	C CAPACITOR	0.1uF 10V K	1		
	C7	CK73HXR1A334K	C CAPACITOR	0.33uF 10V K	1		
	C8	CC73JCH1E102J	C CAPACITOR	1000pF 25V J	1		
	C9	CK73JXR1A104K	C CAPACITOR	0.1uF 10V K	1		
	C10	CC73JCH1E102J	C CAPACITOR	1000pF 25V J	1		
	C11	CK73JXR1A104K	C CAPACITOR	0.1uF 10V K	1		
	C12	CK73JXR1A153K	C CAPACITOR	0.015uF 10V K	1		
	C13	CC73JCH1E681J	C CAPACITOR	680pF 25V J	1		
	C14	CK73JXR1A104K	C CAPACITOR	0.1uF 10V K	1		
	C15	CK73GXR0J475K	C CAPACITOR	4.7uF 6.3V K	1		
	C16	CK73HXR0J105K	C CAPACITOR	1uF 6.3V K	1		
	C17	CK73HXR1A334K	C CAPACITOR	0.33uF 10V K	1		
	C18	CK73JXR1H332K	C CAPACITOR	3300pF 50V K	1		
	C19	CK73JXR1E223K	C CAPACITOR	0.022uF 25V K	1		
	C20	CK73GXR1A106K	C CAPACITOR	10uF 10V K	1		
	C21	CK73HXR1A334K	C CAPACITOR	0.33uF 10V K	1		
	C26	CK73GXR1A106K	C CAPACITOR	10uF 10V K	1		
	C27	CK73JXR1A104K	C CAPACITOR	0.1uF 10V K	1		
	C28	CK73JXR1A104K	C CAPACITOR	0.1uF 10V K	1		
	C50	CK73JXR1H682K	C CAPACITOR	6800pF 50V K	1		
	C51	CK73JXR1H682K	C CAPACITOR	6800pF 50V K	1		
	C52	CK73JXR1H103K	C CAPACITOR	0.01uF 50V K	1		
	C53	CK73JXR1H103K	C CAPACITOR	0.01uF 50V K	1		
	C55	CK73HXR1A154K	C CAPACITOR	0.15uF 10V K	1		
	C60	CC73JCH1E102J	C CAPACITOR	1000pF 25V J	1		
	C61	CC73JCH1E102J	C CAPACITOR	1000pF 25V J	1		
	C62	CK73GXR1A106K	C CAPACITOR	10uF 10V K	1		
	C82	CC73JCH1E681J	C CAPACITOR	680pF 25V J	1		
	C83	CC73JCH1H120J	C CAPACITOR	12pF 50V J	1		
	C84	CC73JCH1H120J	C CAPACITOR	12pF 50V J	1		
	C85	CK73JXR1A104K	C CAPACITOR	0.1uF 10V K	1		
	C244	CK73HXR1A154K	C CAPACITOR	0.15uF 10V K	1		
	R3	RK73HB1J821J	MG RESISTOR	820Ω 1/16W J	1		
	R4	RK73HB1J105J	MG RESISTOR	1MΩ 1/16W J	1		
	R7	RK73HB1J272J	MG RESISTOR	2.7kΩ 1/16W J	1		
	R8	RK73HB1J821J	MG RESISTOR	820Ω 1/16W J	1		

MODEL	MARK	MODEL	MARK	MODEL	MARK	MODEL	MARK
DPX504BT	K2	DPX-5200BT	E1	DPX-5200BT	M1	DPX524BT	K1
DPX560BT	K3	DPX594BT	K0				

Safe	Symbol No.	Parts No.	Parts Name	Description	QTY	Local
R9		RK73HB1J823J	MG RESISTOR	82kΩ 1/16W J	1	
R10		RK73FB2B4R7J	MG RESISTOR	4.7Ω 1/8W J	1	
R11		RK73HB1J822J	MG RESISTOR	8.2kΩ 1/16W J	1	
R12		RK73HB1J105J	MG RESISTOR	1MΩ 1/16W J	1	
R17		RK73HB1J123J	MG RESISTOR	12kΩ 1/16W J	1	
R18		RK73HB1J822J	MG RESISTOR	8.2kΩ 1/16W J	1	
R20		RK73HB1J103J	MG RESISTOR	10kΩ 1/16W J	1	
R21		RK73HB1J822J	MG RESISTOR	8.2kΩ 1/16W J	1	
R23		RK73HB1J183J	MG RESISTOR	18kΩ 1/16W J	1	
R24		RK73HB1J272J	MG RESISTOR	2.7kΩ 1/16W J	1	
R26		RK73HB1J223J	MG RESISTOR	22kΩ 1/16W J	1	
R28		RK73HB1J114J	MG RESISTOR	110kΩ 1/16W J	1	
R31		RK73HB1J821J	MG RESISTOR	820Ω 1/16W J	1	
R32		RK73HB1J821J	MG RESISTOR	820Ω 1/16W J	1	
R33		RK73HB1J131J	MG RESISTOR	130Ω 1/16W J	1	
R37		RK73HB1J103J	MG RESISTOR	10kΩ 1/16W J	1	
R44		RK73HB1J101J	MG RESISTOR	100Ω 1/16W J	1	
R47		RK73HB1J101J	MG RESISTOR	100Ω 1/16W J	1	
R48		RK73HB1J101J	MG RESISTOR	100Ω 1/16W J	1	
R49		RK73HB1J101J	MG RESISTOR	100Ω 1/16W J	1	
R50		RK73HB1J101J	MG RESISTOR	100Ω 1/16W J	1	
R51		RK73HB1J101J	MG RESISTOR	100Ω 1/16W J	1	
R52		RK73HB1J562J	MG RESISTOR	5.6kΩ 1/16W J	1	
R53		RK73HB1J562J	MG RESISTOR	5.6kΩ 1/16W J	1	
R54		RK73HB1J562J	MG RESISTOR	5.6kΩ 1/16W J	1	
R305		RK73HB1J101J	MG RESISTOR	100Ω 1/16W J	1	
L1		LB73G0EA-002	CHIP FERRITE		1	
L2		LB73H0AY-004	CHIP FERRITE		1	
L3		LB73H0AY-004	CHIP FERRITE		1	
CN1		EC720AE-1026B	FFC FPC CONNE		1	
CN2		EC720AK-0515A	FFC FPC CONNE		1	
S1		S6J-0001-00	PUSH SWITCH		1	
S2		S6J-0001-00	PUSH SWITCH		1	
S3		S6J-0002-00	PUSH SWITCH		1	
X1		L7J-0005-00	QUARTZ CRYSTAL		1	