

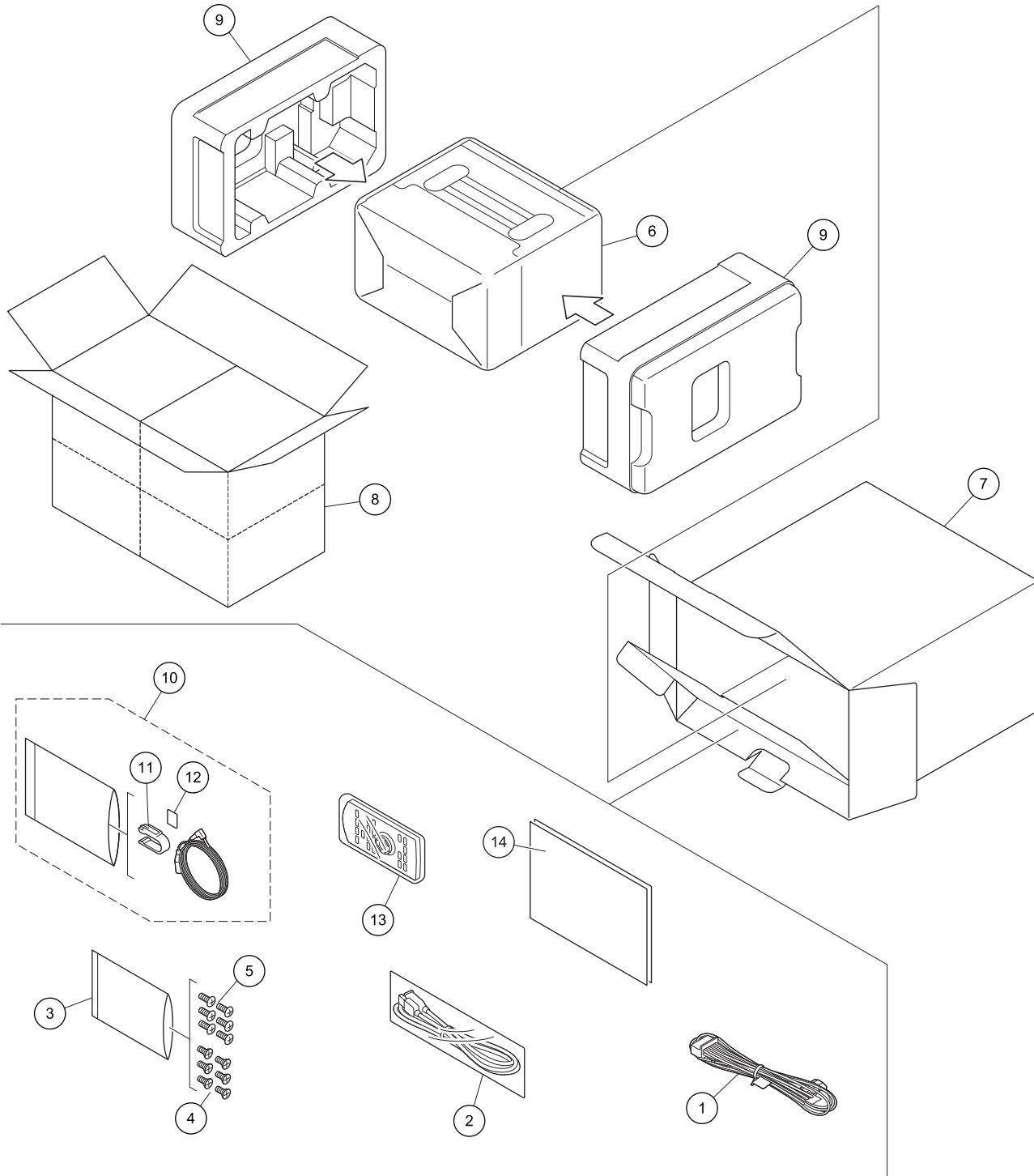


# 9. EXPLODED VIEWS AND PARTS LIST

- NOTES :
- Parts marked by "\*" are generally unavailable because they are not in our Master Spare Parts List.
  - The  mark found on some component parts indicates the importance of the safety factor of the part. Therefore, when replacing, be sure to use parts of identical designation.
  - Screw adjacent to  mark on the product are used for disassembly.
  - For the applying amount of lubricants or glue, follow the instructions in this manual.  
(In the case of no amount instructions, apply as you think it appropriate.)

## 9.1 PACKING



**(1) PACKING SECTION PARTS LIST**

<u>Mark No.</u>	<u>Description</u>	<u>Part No.</u>	<u>Mark No.</u>	<u>Description</u>	<u>Part No.</u>
1	Cord Assy	CDP1668	9	Protector	CHP4598
2	USB Extended Cable	CDP1587	10	Microphone Assy	CPM1083
3	Polyethylene Bag	CEG1160			
4	Screw	CRZ50P090FTC	11	Holder	CZN7192
5	Screw	TRZ50P080FTC	12	Cushion	CZN7193
			13	Card Remote Control Unit	CXE5116
6	Cover	CEG1359	14-1	Owner's Manual	CRD4758
7	Unit Box	See Contrast table (2)	* 14-2	Warranty Card	QRY3001
8	Contain Box	See Contrast table (2)			

**(2) CONTRAST TABLE**

AVH-X5600BHS/XNUC and AVH-X4600BT/XNUC are constructed the same except for the following:

Mark	No.	Description	AVH-X5600BHS/XNUC	AVH-X4600BT/XNUC
	7	Unit Box	CHG8409	CHG8413
	8	Contain Box	CHL8409	CHL8413

**Owner's Manual, Installation Manual**

Part No.	Language
CRD4758	English, French, Spanish(Espanol)

# 9.2 EXTERIOR (1)

A

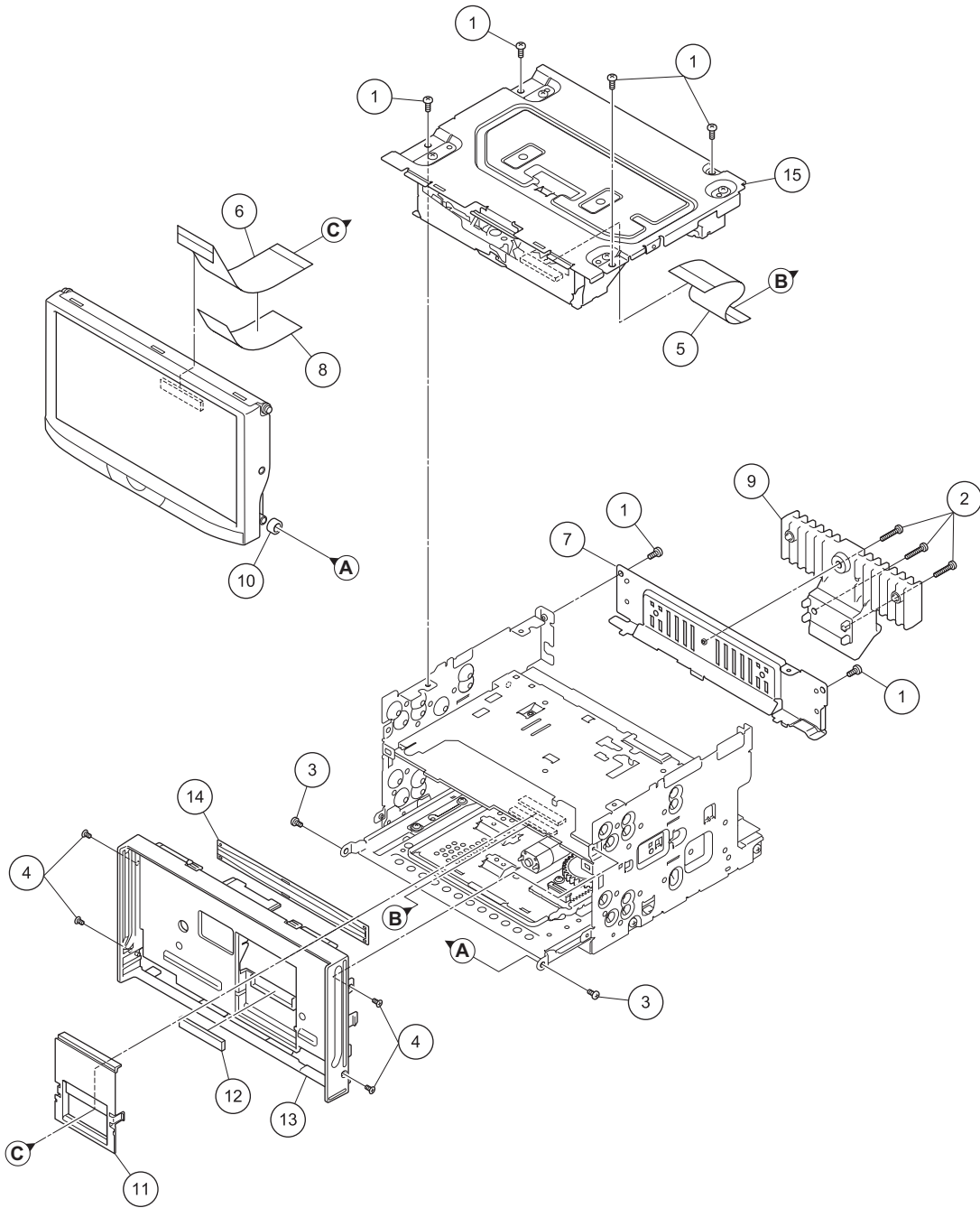
B

C

D

E

F



**(1) EXTERIOR (1) SECTION PARTS LIST**

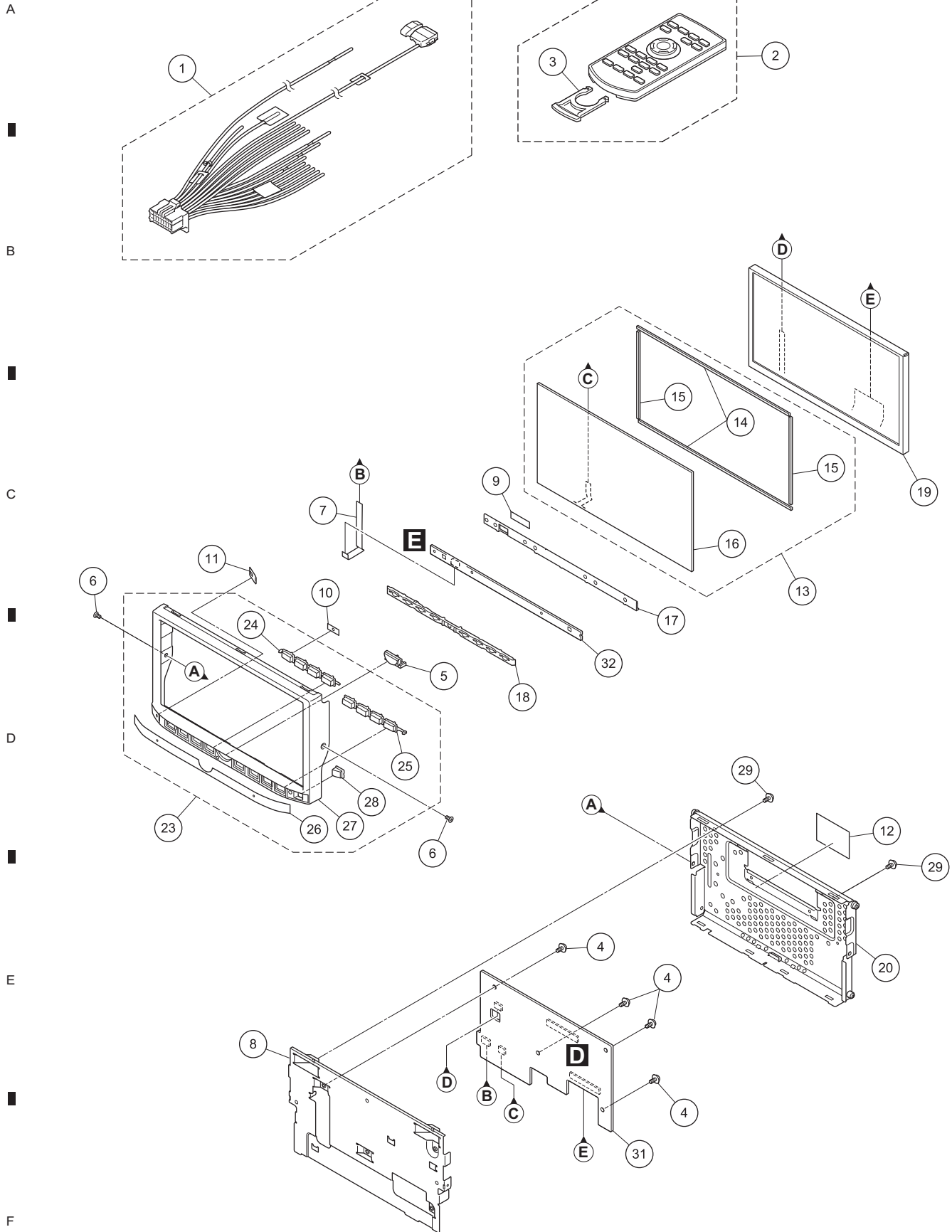
<u>Mark No.</u>	<u>Description</u>	<u>Part No.</u>	<u>Mark No.</u>	<u>Description</u>	<u>Part No.</u>
1	Screw	BSZ26P060FTC	9	Heat Sink	CNR2147
2	Screw	BSZ26P120FTC	10	Collar	CNW2038
3	Screw	CBA1735			
4	Screw (M2 x 3)	CBA1877	11	Cover	CNW2316
5	FFC	CDE9765	12	Cushion	CNN3206
			13	Panel	See Contrast table (2)
6	FFC	CDE9769	14	Cover	QNM3029
7	Holder	YND5148	15	DVD Mechanism Module (LS2)	CXK8002
8	Sheet	CNN4247			

**(2) CONTRAST TABLE**

AVH-X5600BHS/XNUC and AVH-X4600BT/XNUC are constructed the same except for the following:

Mark	No.	Description	AVH-X5600BHS/XNUC	AVH-X4600BT/XNUC
	13	Panel	CNU2048	CNU2049

# 9.3 EXTERIOR (2)



**(1) EXTERIOR (2) SECTION PARTS LIST**

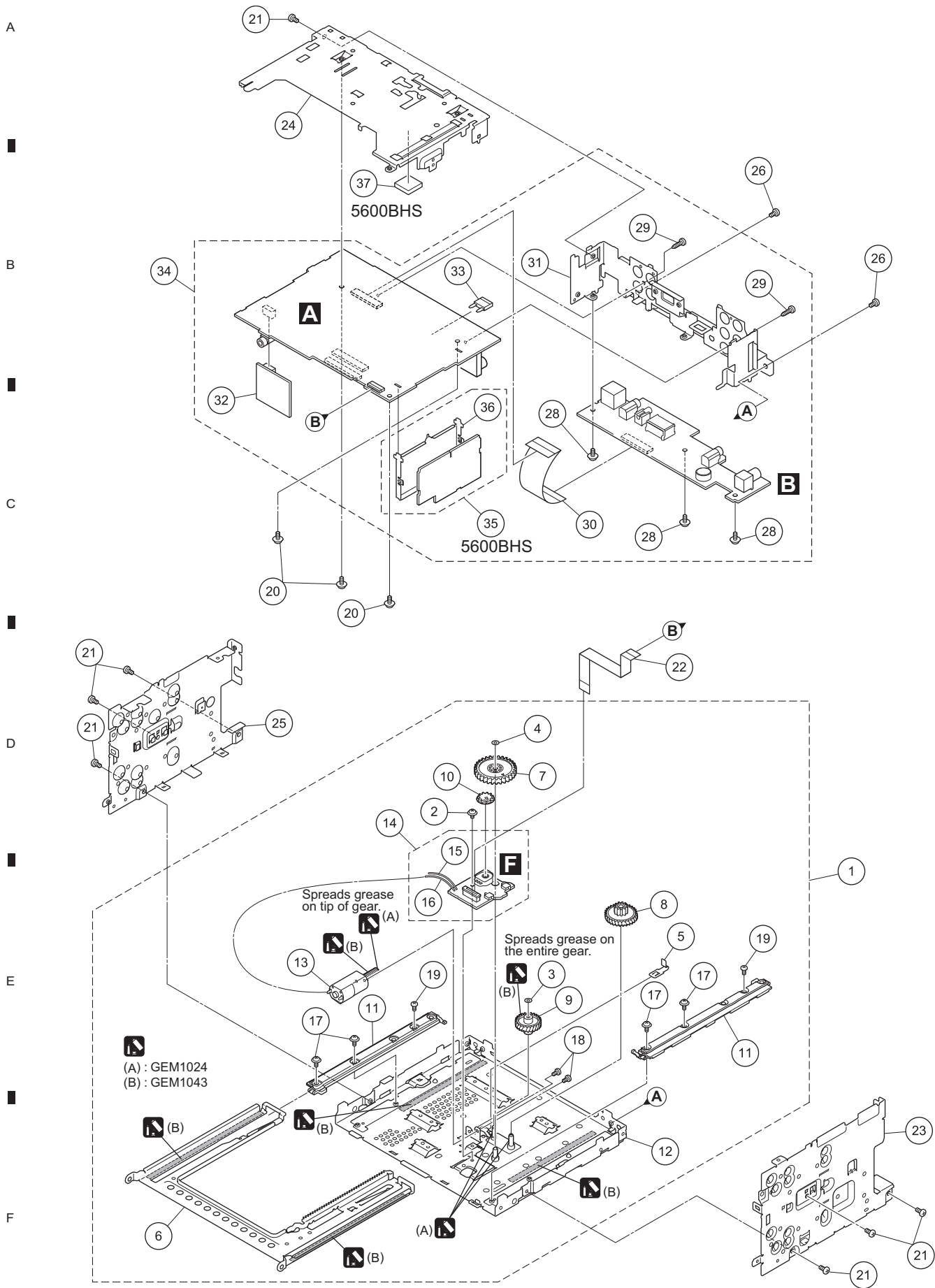
<u>Mark No.</u>	<u>Description</u>	<u>Part No.</u>	<u>Mark No.</u>	<u>Description</u>	<u>Part No.</u>
1	Cord Assy	CDP1668	17	Holder	CNU1756
2	Card Remote Control Unit	CXE5116	18	Lighting Conductor	CNW2312
3	Battery Cover	CNU1624	19	TFT LCD	CWX4182
4	Screw	AMZ26P040FTC	20	Case Unit	CXE4761
5	Button (HOME)	CAI3846	21	.....	
6	Screw (M2 x 3)	CBA1877	22	.....	
7	FFC	CDE9393	23	Grille Assy	See Contrast table (2)
8	Holder	CND6526	24	Button (SRC, VOL+/-, MUTE)	CAI3613
9	Sheet	CNN3991	25	Button (MODE, TRK UP/DOWN, EJECT)	CAI3690
10	Sheet	CNN4033	26	Plate	See Contrast table (2)
11	Sheet	CNN4196	27	Grille	CNU2015
12	Sheet	CNN4232	28	Lighting Conductor	CNW2313
13	Service Unit (Touch Panel)	CXX6232	29	Screw	IMS20P030FTC
14	Cushion	CNN4271	30	.....	
15	Cushion	CNN4272	31	Service Unit (Monitor)	CXX6054
16	Touch Panel	CSX1194	32	Service Unit (Keyboard)	CXX6058

**(2) CONTRAST TABLE**

AVH-X5600BHS/XNUC and AVH-X4600BT/XNUC are constructed the same except for the following:

Mark	No.	Description	AVH-X5600BHS/XNUC	AVH-X4600BT/XNUC
	23	Grille Assy	CXE6823	CXE6827
	26	Plate	CNN4702	CNN4706

# 9.4 EXTERIOR (3)



AVH-X5600BHS/XNUC

**(1) EXTERIOR (3) SECTION PARTS LIST**

<u>Mark No.</u>	<u>Description</u>	<u>Part No.</u>	<u>Mark No.</u>	<u>Description</u>	<u>Part No.</u>
1	Drive Mechanism Unit	CXE3878	20	Screw	ASZ26P050FTC
2	Screw	AMZ26P030FTC			
3	Washer	CBF1039	21	Screw	BSZ26P050FTC
4	Washer	CBF1064	22	FFC	CDE9554
5	Spring	EBL1034	23	Bracket	CND6335
			24	Holder	CND6530
6	Frame	ENC2001	25	Bracket	CND6636
7	Gear	ENV1630			
8	Gear	ENV1631	26	Screw	BSZ26P060FTC
9	Gear	ENV1632	27	.....	
10	Gear	ENV1635	28	Screw	ASZ26P050FTC
			29	Screw	BPZ26P080FTC
11	Guide	ENV3001	30	FFC	CDE9766
12	Chassis Unit	EXA4001			
13	Motor Unit	EXA4003	31	Holder	See Contrast table (2)
14	PCB Unit (Service)	EXX2001	32	BT Module (U1671)	CWX4506
*	15 Cord (Green)	CDC1056	⚠ 33	Fuse (10A)	YEK5001
			34	Service Unit (Mother I/F)	See Contrast table (2)
*	16 Cord (White)	CDC1057	35	WWR Core TUN Unit (U401)	See Contrast table (2)
17	Screw	IMS26P060FTC			
18	Screw	JFZ20P025FTC	36	Holder	See Contrast table (2)
19	Screw	EBA2002	37	Sheet	See Contrast table (2)

**(2) CONTRAST TABLE**

AVH-X5600BHS/XNUC and AVH-X4600BT/XNUC are constructed the same except for the following:

Mark	No.	Description	AVH-X5600BHS/XNUC	AVH-X4600BT/XNUC
	31	Holder	CND6554	CND6531
	34	Service Unit (Mother I/F)	CXX6029	CXX6030
	35	WWR Core TUN Unit (U401)	CWE2364	Not used
	36	Holder	CND6449	Not used
	37	Sheet	CNN4314	Not used

# 9.5 DVD MECHANISM MODULE (1)

1

2

3

4

A

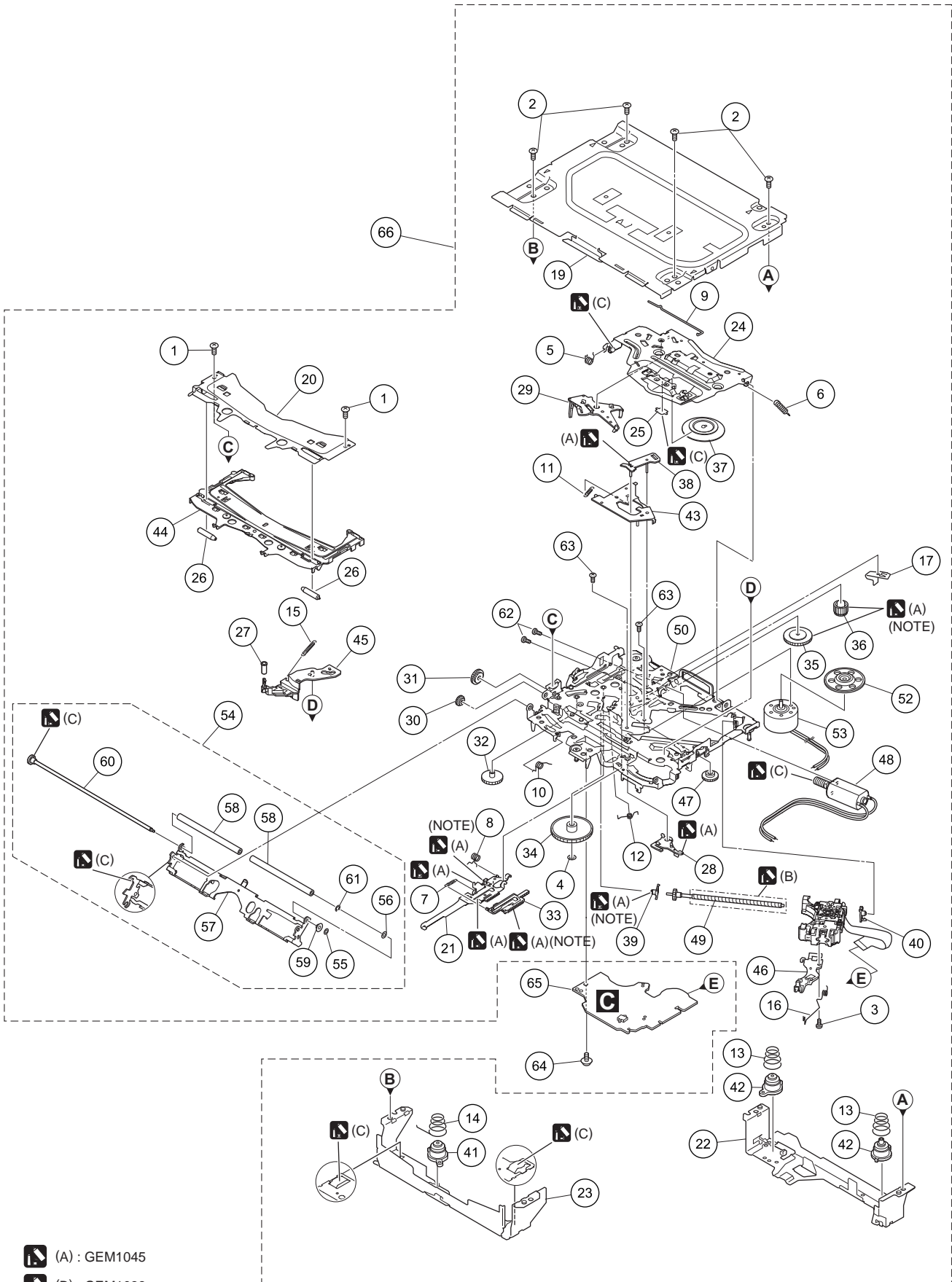
B




C

D

E

F



-  (A) : GEM1045
-  (B) : GEM1038
-  (C) : GEM1024

(NOTE) Apply grease to the whole part.

1

2

3

4

5 6 7 8  
**DVD MECHANISM MODULE (1) SECTION PARTS LIST**

<u>Mark No.</u>	<u>Description</u>	<u>Part No.</u>	<u>Mark No.</u>	<u>Description</u>	<u>Part No.</u>
1	Screw	BSZ20P040FTC	35	Gear	CNW1186
2	Screw	BSZ26P060FTC			
3	Screw (M2 x 4)	CBA1835	36	Gear	CNW1187
4	Washer	CBF1038	37	Clamper	CNW1190
5	Spring	CBH2855	38	Arm	CNW1192
			39	Holder	CNW1193
6	Spring	CBH2860	40	Holder	CNW1194
7	Spring	CBH3010			
8	Spring	CBH3011	41	Damper	CNW2439
9	Spring	CBH3014	42	Damper	CNW2440
10	Spring	CBH3015	43	Arm	CNW1726
			44	Guide	CNW2240
11	Spring	CBH3016	45	Arm	CNW2241
12	Spring	CBH3017			
13	Spring	CBH3019	46	Rack	CNW2265
14	Spring	CBH3086	47	Gear	CNW2287
15	Spring	CBH3095	48	Motor Unit(M1)(CRG(L/E))	CXC4026
			49	Screw Unit	CXC8894
16	Spring	CBH3096	* 50	Chassis Unit	CXE6044
17	Plate Spring	CBL1824			
18	.....		51	.....	
19	Case	CNB3762	* 52	Support Wheel	CNW2052
20	Bracket	CND4553	* 53	Spindle Motor(M2)(SPINDLE)	EXM2002
			54	Arm Assy	CXE6232
21	Lever	CND5398	55	Washer	CBF1037
22	Bracket	CND5710			
23	Bracket	CND6127	56	Washer	CBF1038
24	Arm	CND6406	57	Arm	CND6242
25	Sheet	CNN3678	58	Roller	CNW2500
			59	Collar	CNW2444
26	Roller	CNW1172	60	Gear Unit	CXC6225
27	Roller	CNW1175			
28	Arm	CNW1177	61	Washer	YE15FTC
29	Arm	CNW1178	62	Screw	JFZ20P025FTC
30	Gear	CNW1180	63	Screw	JGZ17P020FTC
			64	Screw (M2 x 5)	EBA1028
31	Gear	CNW1181	65	DVD Core Unit	YWX5033
32	Gear	CNW1183			
33	Rack	CNW1184	66	Mechanism Unit(Service)	CXX4549
34	Gear	CNW1185			

(NOTE) Pickup, Spindle Motor and Support Wheel are not available as service parts, because they need adjustment by special equipment after replacing.

# 12. ELECTRICAL PARTS LIST

**NOTE:**

- Parts whose parts numbers are omitted are subject to being not supplied.
- The part numbers shown below indicate chip components.

Chip Resistor

RS1/○S○○○○J,RS1/○○S○○○○J

Chip Capacitor (except for CQS.....)

CKS....., CCS....., CSZS.....

- The  $\triangle$  mark found on some component parts indicates the importance of the safety factor of the part. Therefore, when replacing, be sure to use parts of identical designation.
- Meaning of the figures and others in the parentheses in the parts list.  
Example) IC 301 is on the point (face A, 91 of x-axis, and 111 of y-axis) of the corresponding PC board.

IC 301 (A, 91, 111) IC NJM2068V

- The expression of the unit in this manual is shown by  $\mu$  instead of  $\mu$ . Please do not make a mistake.

<u>Circuit Symbol and No.</u>	<u>Part No.</u>	<u>Circuit Symbol and No.</u>	<u>Part No.</u>
<b>A:AVH-X5600BHS/XNUC</b>		(A,56,55) IC(B)	PDB117A8
<b>B:AVH-X4600BT/XNUC</b>		IC 751 (A,132,67) IC	BD11600NUX
<b>Unit Number : CXX6029(A)</b>		IC 1001 (B,89,68) IC	BH7673G
<b>Unit Number : CXX6030(B)</b>		IC 1002 (B,86,68) IC	BH7673G
<b>Unit Name : Service Unit(Mother I/F)</b>		IC 1003 (B,80,68) IC	BH7673G
<b>Unit Number : YWX5032</b>		IC 1004 (B,77,68) IC	BH7673G
<b>Unit Name : DVD Core Unit</b>		IC 1051 (B,82,41) LSI(A)	ML86V7675TBZA3A
<b>Unit Number : CXX6054</b>		(B,82,41) LSI(B)	ML86V7675TBZ03A
<b>Unit Name : Service Unit(Monitor)</b>		IC 1101 (B,123,41) RAM IC	M12L128168A-5TG2N
<b>Unit Number : CXX6058</b>		IC 1151 (B,104,49) IC	WM8761BGED
<b>Unit Name : Service Unit(Keyboard)</b>		IC 1202 (B,105,40) IC	337S3959
<b>Unit Number : EXX2001</b>		IC 1251 (B,146,54) Flash ROM Unit(Service)	CXX5989
<b>Unit Name : PCB Unit(Service)</b>		IC 1301 (B,96,22) Serial Flash Memory	MX25L8006EM2I-12G
		IC 1302 (A,107,42) IC	R5S72690RW266FP
		IC 1671 (A,150,18) IC	WM8761BGED
		IC 1721 (A,126,100) IC	NJM4565V
		IC 1731 (A,123,112) IC	NJM4565V
		IC 1732 (A,129,108) IC	TC7W66FK
		IC 1741 (B,119,79) IC(A)	TC7SH126FU
		IC 1751 (B,63,69) IC(A)	MC74VHC1GT08DFG
		IC 1801 (B,60,83) Regulator IC	NJW4181U3-33B
		IC 1821 (A,91,101) IC	NJM2387ADL3
<b>Service Unit(Mother I/F)</b>		IC 1901 (B,33,53) IC	NJM2886DL3-05
<b>Consists of</b>		IC 1911 (B,26,31) IC(A)	NJM2886DL3-33
<b>Mother PCB</b>		IC 1921 (B,25,49) Regulator IC(A)	S-1172B12-E6
<b>Interface PCB</b>		IC 1951 (B,158,68) IC	AN33012UA
		IC 2011 (B,116,15) Regulator IC	BD00IA5WEFJ
<b>AB</b>		IC 2031 (B,78,24) Regulator IC	NJM2878F3-15
<b>Unit Number : CXX6029(A)</b>		IC 2061 (B,163,11) Regulator IC	NJM2856DL3-18
<b>Unit Number : CXX6030(B)</b>		IC 2101 (B,164,96) Regulator IC	BD9876EFJ
<b>Unit Name : Service Unit(Mother I/F)</b>		IC 2161 (B,165,108) IC	AN33014UA
		IC 3661 (A,94,44) EEPROM	BR24C21FJ
		Q 301 (B,93,101) Transistor	LSCR523UB
<b>MISCELLANEOUS</b>		Q 311 (B,90,104) Transistor	RN4987
IC 101 (B,132,74) IC	AK4223VQ	Q 321 (B,88,106) Chip Transistor	RN1903
IC 251 (B,119,96) IC	PML020A	Q 601 (A,71,48) Transistor	LSCR523UB
IC 341 (A,97,121) IC	PA2032A	Q 751 (B,65,18) Chip Transistor	HN1C01FU
IC 501 (A,40,78) IC	TDA7706	Q 752 (B,61,18) Chip Transistor	RN4982
IC 601 (A,56,55) IC(A)	PDB115A8	Q 831 (B,65,77) Transistor	LTC014EEB
		Q 841 (B,67,73) Transistor	LTC014EEB

1

2

3

4

**Circuit Symbol and No.****Part No.****Circuit Symbol and No.****Part No.**

	Q 854	(A,53,98) Chip Transistor	HN1A01FU	D 3641	(B,77,37) Diode	DZ2S180C
	Q 871	(A,56,78) Chip Transistor	HN1C01FU	D 3642	(B,62,37) Diode	DZ2S180C
	Q 1001	(B,82,58) Transistor	LSCR523UB	D 3643	(B,77,41) Diode	DZ2S180C
A	Q 1002	(B,85,58) Transistor	LSCR523UB	D 3666	(A,100,36) Diode	DZ2S068C
	Q 1003	(B,88,58) Transistor	LSCR523UB	D 3667	(A,100,38) Diode	DZ2S068C
	Q 1004	(B,78,58) Transistor	LSCR523UB	D 3668	(A,111,37) Diode	DZ2S068C
	Q 1201	(B,110,32) Transistor	LSAR523UB	D 3669	(A,107,38) Diode	DZ2S068C
	Q 1631	(A,36,113) Chip Transistor	HN1C03FU	D 3670	(A,107,37) Diode	DZ2S068C
	Q 1632	(A,43,113) Chip Transistor	HN1C03FU	D 3671	(A,109,37) Diode	DZ2S068C
	Q 1633	(A,30,113) Chip Transistor	HN1C03FU	D 3672	(B,104,33) Diode	DZ2S068C
	Q 1662	(B,128,14) Transistor	RN4984	D 3673	(B,106,31) Diode	DZ2S068C
	Q 1701	(A,135,105) Transistor	UMF23N	L 501	(A,46,91) Chip Coil	LCTAWR15J2520
	Q 1721	(A,136,97) Transistor	LSCR523UB	L 502	(A,43,90) Chip Coil	LCTAWR27J2520
	Q 1731	(A,120,105) Chip Transistor	RN4982	L 503	(A,40,90) Inductor	CTF1786
B	Q 1851	(A,98,87) Transistor	LSCR523UB	L 504	(A,38,89) SMD Ferrite Beads	CTF1806
	Q 1852	(A,102,79) Chip Transistor	HN1B04FU	L 505	(A,34,95) Inductor	CTF1389
	Q 1853	(A,100,75) Chip Transistor	RN4982	L 506	(A,43,88) Inductor	CTF1794
	Q 1856	(A,99,82) Chip Transistor	RN1907	L 507	(A,32,89) Inductor	LCYC220K1608
	Q 1951	(A,163,70) Power MOS FET	RSD140P06	L 508	(A,32,85) Inductor	LCYB68NJ1005
	Q 1952	(A,153,67) Power MOS FET	RSD140P06	L 509	(A,29,79) Chip Coil	LCTAW470J2520
	Q 2131	(B,39,15) Transistor	2SD1760F5	L 510	(A,31,75) Inductor	CTF1786
	Q 2132	(B,37,20) Transistor	LTC014EEB	L 511	(A,35,70) Inductor(B)	CTF1786
	D 301	(B,84,105) Diode	DA2J101	L 512	(A,50,83) Inductor	CTF1786
	D 302	(B,90,99) Diode	DZ2J082M0	L 513	(A,51,83) Inductor	CTF1786
C	D 312	(B,90,101) Diode	DA2J101	L 514	(A,44,68) Inductor	CTF1786
	D 501	(A,46,95) Diode	RN731VN	L 517	(A,50,71) Inductor	CTF1786
	D 502	(A,46,88) Diode	RN731VN	L 518	(A,35,68) Inductor(A)	CTF1786
	D 601	(B,61,49) Diode	RB501VM-40	L 519	(A,33,93) Inductor	LCYB10NJ1608
	D 602	(B,63,49) Diode	DB2J31400	L 801	(A,63,92) Choke Coil 600 uH	CTH1221
	D 801	(B,64,122) Diode	1SR154-400	L 1001	(B,87,62) Inductor	CTF1545
	D 802	(B,60,122) Diode	1SR154-400	L 1002	(B,80,62) Inductor	CTF1545
	D 821	(A,48,101) Diode	DAN202UM	L 1003	(B,76,62) Inductor	CTF1545
	D 831	(B,63,76) Diode	DZ2J056M0	L 1004	(B,83,62) Inductor	CTF1545
	D 841	(B,70,76) Diode	DA2J101	L 1005	(B,96,68) Chip Coil	LCTAW100J2520
	D 853	(A,51,102) Diode	DAN202UM	L 1051	(B,77,34) Inductor	CTF1740
D	D 871	(B,63,103) Diode	UDZV6R2(B)	L 1101	(B,135,43) Inductor	CTF1786
	D 873	(B,67,101) Diode	UDZV7R5(B)	L 1107	(B,119,50) Inductor	CTF1645
	D 1601	(A,153,108) Diode	PESD0402-140	L 1151	(B,106,55) Inductor	CTF1786
	D 1602	(A,150,108) Diode	PESD0402-140	L 1251	(B,138,55) Inductor	CTF1786
	D 1622	(B,123,112) Diode	DZ2S180C	L 1301	(B,109,44) Inductor	CTF1786
	D 1623	(B,134,111) Diode	DZ2S180C	L 1302	(B,110,57) Inductor	CTF1545
	D 1624	(B,140,110) Diode	DZ2S180C	L 1303	(B,108,21) Chip Beads	VTL1129
	D 1661	(B,125,12) Diode	DZ2J039M0	L 1304	(B,138,43) Chip Beads	VTL1129
	D 1662	(B,130,22) Diode	DZ2S180C	L 1305	(A,127,37) Chip Beads	VTL1126
	D 1663	(B,129,11) Diode	DZ2S180C	L 1306	(A,86,34) Chip Beads	VTL1127
	D 1721	(A,137,101) Diode	DZ2J051M0	L 1311	(A,124,29) Chip Beads	VTL1127
E	D 1781	(B,56,35) Diode	DZ2S180C	L 1312	(A,126,32) Chip Beads	VTL1127
	D 1782	(B,58,33) Diode	DZ2S180C	L 1313	(A,124,35) Chip Beads	VTL1127
	D 1801	(B,66,83) Diode	1SR154-400	L 1315	(A,125,41) Chip Beads	VTL1127
	D 1851	(A,101,88) Diode	DZ2J130M0	L 1316	(A,124,43) Chip Beads	VTL1127
	D 1853	(A,99,92) Diode	DA2J101	L 1317	(A,125,42) Chip Beads	VTL1127
	D 1902	(B,38,42) Diode	CRG03	L 1318	(A,125,46) Chip Beads	VTL1127
	D 1921	(B,29,42) Diode(A)	CRG03	L 1319	(A,125,49) Chip Beads	VTL1127
	D 1951	(A,161,63) Diode	RB056L-40	L 1322	(A,125,54) Chip Beads	VTL1127
	D 1952	(A,153,59) Diode	RB056L-40	L 1323	(A,125,58) Chip Beads	VTL1127
	D 1953	(A,140,110) Diode	RB080L-30	L 1377	(A,86,30) Chip Beads	VTL1126
F	D 2101	(A,164,94) Diode	RB056L-40	L 1381	(A,87,54) Chip Beads	VTL1126
	D 2131	(B,42,21) Diode	DZ2J062M0	L 1383	(A,83,54) Chip Beads	VTL1126
	D 2161	(B,163,102) Diode	RB060M-30	L 1384	(A,85,52) Chip Beads	VTL1126
	D 2162	(B,154,105) Diode	1SR154-400	L 1387	(A,87,46) Chip Beads	VTL1126

1

2

3

4

5		6	
<u>Circuit Symbol and No.</u>		<u>Part No.</u>	
L 1390	(A,83,46) Chip Beads	VTL1126	
L 1391	(A,87,45) Chip Beads	VTL1126	
L 1393	(A,83,44) Chip Beads	VTL1126	
L 1394	(A,87,44) Chip Beads	VTL1126	
L 1397	(A,83,43) Chip Beads	VTL1126	
L 1399	(A,87,43) Chip Beads	VTL1126	
L 1401	(A,87,42) Chip Beads	VTL1126	
L 1403	(A,84,41) Chip Beads	VTL1126	
L 1405	(A,87,40) Chip Beads	VTL1126	
L 1407	(A,84,39) Chip Beads	VTL1126	
L 1409	(A,87,38) Chip Beads	VTL1126	
L 1411	(A,87,37) Chip Beads	VTL1126	
L 1413	(A,87,36) Chip Beads	VTL1126	
L 1415	(A,86,35) Chip Beads	VTL1126	
L 1601	(A,151,106) Inductor	CTF1713	
L 1671	(A,160,22) Inductor	CTF1786	
L 1672	(A,143,16) Inductor	CTF1786	
L 1951	(A,164,55) Choke Coil 10 uH	CTH1446	
L 1952	(A,151,54) Inductor	CTH1519	
L 1953	(A,144,102) Choke Coil 10 uH	CTH1486	
L 2101	(A,158,94) Inductor	CTH1524	
L 2161	(A,164,102) Inductor	CTH1524	
L 2162	(B,167,102) Inductor	CTF1793	
X 501	(A,52,75) Resonator 36.48 MHz	CSS1805	
X 601	(A,71,56) Crystal Resonator 12.500 MHz	CSS1839	
X 1051	(B,71,34) Crystal Resonator 32.000 MHz	CSS1818	
X 1301	(A,102,65) Resonator 48.000 MHz	CSS1760	
X 1302	(A,113,65)Crystal Resonator 13.333 3 MHz	CSS1840	
X 1303	(A,86,50) Resonator 16.93 MHz	CSS1794	
P 451	(A,21,96) Surge Absorber	IMSA-6803-01Y900	
P 1623	(B,130,108) Poly Switch	FSMD075-24R	
P 1631	(B,28,109) Poly Switch	FSMD075-24R	
P 1701	(A,121,77) Poly Switch	FSMD075-24R	
⚠ P1902	(B,86,98) Fuse 1.25 A(A)	CEK1382	
⚠ P1951	(A,45,37) Fuse 1 A	CEK1381	
⚠ P2071	(A,145,38) Fuse 1.25 A	CEK1382	
⚠ P2081	(A,23,20) Fuse 0.75 A	CEK1380	
⚠ P2131	(A,43,25) Fuse 2 A	CEK1384	
⚠ P2151	(A,46,25) Fuse 2.5 A	CEK1385	
⚠ P2152	(A,49,27) Fuse 1.5 A	CEK1383	
BZ3631	(A,45,44) Buzzer	CPV1062	
U 401	(A,13,59) WWR C-TUN Unit(A)	CWE2364	
U 1671	(A,161,31) BT Module	CWX4506	
CN751	(A,63,13) Connector	CKS6025	
CN1651	(B,25,12) Connector	CKS6095	
CN1671	(A,161,31) Connector	CKS6346	
CN1701	(A,119,85) Connector	CKS6535	
CN1751	(A,67,27) Connector	CKS6536	
CN3601	(B,119,49) Connector	CKS6605	
CN3661	(A,111,25) Connector	CKS4497	
JA451	(A,14,111) Antenna Jack	YKS5041	
JA801	(A,62,118) Plug	CKM1376	
JA1601	(A,151,121) USB Jack	CKN1091	
JA1621	(A,129,121) RCA Jack	CKB1110	
JA1631	(A,35,120) Pin Jack	XKB7001	
JA1661	(A,138,10) Jack	CKS6437	
JA3621	(A,13,33) RCA Jack	CKB1106	
JA3641	(A,69,19) Jack	CKN1106	
JA3691	(A,131,26) Jack	CKN1040	
JA3701	(A,164,22) Connector(A)	CKS3806	

7		8	
<u>Circuit Symbol and No.</u>		<u>Part No.</u>	
JA3731	(A,145,28) Jack	CKS6437	
<b>RESISTORS</b>			
R 101	(B,122,71)	RAB4CQ101J	A
R 102	(B,122,74)	RAB4CQ101J	
R 104	(B,125,78)	RS1/16SS75R0D	
R 105	(B,125,81)	RS1/16SS75R0F	
R 108	(B,141,66)	RS1/10SR560J	
R 109	(B,143,74)	RAB4CQ101J	
R 110	(B,143,79)	RAB4CQ101J	
R 112	(B,129,63)	RS1/16SS101J	
R 113	(B,132,64)	RS1/16SS101J	
R 114	(B,134,64)	RS1/16SS101J	
R 115	(B,136,63)	RS1/16SS101J	B
R 116	(B,131,64)	RS1/16SS101J	
R 117	(B,135,64)	RS1/16SS101J	
R 119	(B,144,67)	RS1/10SR560J	
R 120	(B,143,69)	RS1/10SR560J	
R 121	(B,144,71)	RS1/10SR560J	
R 122	(B,125,80)	RS1/16SS470J	
R 202	(B,129,102)	RS1/16SS182J	
R 251	(B,126,105)	RS1/16SS162J	
R 255	(B,124,88)	RS1/16SS473J	
R 256	(A,102,108)	RS1/8SQ272J	
R 257	(A,98,108)	RS1/8SQ272J	C
R 258	(A,100,108)	RS1/8SQ182J	
R 259	(A,96,108)	RS1/8SQ182J	
R 260	(A,104,107)	RS1/8SQ182J	
R 261	(A,92,108)	RS1/8SQ182J	
R 262	(A,105,110)	RS1/8SQ272J	
R 263	(A,94,108)	RS1/8SQ272J	
R 264	(B,102,93)	RS1/16SS0R0J	
R 302	(B,87,104)	RS1/16SS103J	
R 303	(B,95,99)	RS1/16SS104J	
R 304	(B,96,99)	RS1/16SS473J	
R 306	(A,66,43)	RS1/16SS103J	D
R 312	(B,85,100)	RS1/16SS102J	
R 321	(B,85,106)	RS1/16SS683J	
R 322	(B,83,106)	RS1/16SS152J	
R 323	(B,85,103)	RS1/16SS683J	
R 324	(B,88,109)	RS1/16SS101J	
R 332	(A,83,111)	RS1/16SS473J	
R 333	(A,83,110)	RS1/16SS102J	
R 401	(A,19,36) (A)	RAB4CQ0R0J	
R 402	(A,19,50) (A)	RAB4CQ0R0J	
R 403	(A,25,25) (A)	RAB4CQ0R0J	
R 405	(A,25,58) (A)	RS1/16SS0R0J	E
R 406	(A,25,57) (A)	RS1/16SS0R0J	
R 407	(A,25,59) (A)	RS1/16SS0R0J	
R 410	(B,22,41) (A)	RS1/16SS102J	
R 455	(B,35,85) (A)	RS1/10SR0R0J	
R 457	(B,22,96)	RS1/10SR0R0J	
R 501	(A,42,68) (A)	RS1/16SS221J	
R 519	(A,47,86)	RS1/16SS221J	
R 520	(A,31,94)	RS1/16SS105J	
R 521	(A,47,87)	RS1/16SS751J	
R 522	(A,32,87)	RS1/16SS152J	F
R 523	(A,33,85)	RS1/16SS105J	
R 525	(A,29,82)	RS1/16SS471J	

1

2

3

4

**Circuit Symbol and No.****Part No.****Circuit Symbol and No.****Part No.**

R 526	(A,31,81)	RS1/16SS330J	R 665	(B,54,67)	RS1/16SS0R0J
R 527	(A,31,79)	RS1/16SS681J	R 666	(A,59,72)	RS1/16SS104J
R 528	(A,28,71)	RS1/4SA5R6J	R 667	(A,58,69)	RS1/16SS103J
R 529	(A,26,72)	RS1/4SA5R6J	R 668	(B,56,67)	RS1/16SS102J
			R 669	(A,56,67) (A)	RS1/16SS471J
R 530	(A,26,75)	RS1/4SA5R6J			
R 531	(A,41,68) (A)	RS1/16SS0R0J	R 672	(A,56,70) (A)	RS1/16SS473J
R 532	(A,40,66) (A)	RS1/16SS0R0J	R 673	(A,56,73)	RS1/16SS473J
R 533	(A,40,68) (A)	RS1/16SS0R0J	R 677	(A,51,68)	RS1/16SS473J
R 534	(A,39,66) (A)	RS1/16SS0R0J	R 678	(A,51,67)	RS1/16SS473J
			R 681	(A,44,44)	RS1/16SS221J
R 535	(A,39,68) (A)	RS1/16SS0R0J			
R 536	(A,38,66) (A)	RS1/16SS0R0J	R 682	(B,43,44)	RS1/16SS221J
R 537	(A,37,68) (A)	RS1/16SS0R0J	R 683	(A,43,44)	RS1/16SS221J
R 538	(A,37,66) (A)	RS1/16SS0R0J	R 684	(B,47,44)	RS1/16SS221J
R 539	(A,33,73)	RS1/16SS102J	R 685	(B,45,44)	RS1/16SS221J
			R 686	(B,44,44)	RS1/16SS221J
R 608	(B,49,37) (B)	RS1/16SS104J			
R 609	(B,51,36)	RS1/16SS104J	R 687	(B,50,53)	RS1/16SS104J
R 611	(B,51,45)	RS1/16SS103J	R 688	(A,44,56)	RS1/16SS473J
R 612	(B,55,50)	RS1/16SS221J	R 689	(A,43,61)	RS1/16SS473J
R 613	(B,61,40)	RS1/16SS472J	R 690	(B,46,62)	RS1/16SS272J
R 614	(B,63,40)	RS1/16SS471J	R 691	(B,46,60)	RS1/16SS102J
R 615	(B,64,40)	RS1/16SS472J	R 692	(B,53,46)	RS1/16SS104J
R 616	(B,62,40)	RS1/16SS471J	R 698	(B,42,44)	RS1/16SS473J
R 617	(B,55,45)	RS1/16SS104J	R 699	(A,45,44)	RS1/16SS104J
R 618	(B,55,44)	RS1/16SS104J	R 700	(B,54,50)	RS1/16SS221J
R 619	(A,59,66)	RS1/16SS102J	R 701	(A,68,61)	RS1/16SS473J
R 620	(B,50,45)	RS1/16SS103J	R 702	(A,66,71) (A)	RS1/16SS0R0J
R 621	(B,66,61)	RS1/16SS473J	R 705	(B,48,62)	RS1/16SS822J
R 622	(A,55,42)	RS1/16SS101J	R 707	(B,50,50)	RS1/16SS104J
R 623	(B,61,44)	RS1/16SS104J	R 750	(A,134,71)	RS1/10SR0R0J
R 624	(B,61,45)	RS1/16SS103J	R 751	(B,59,23)	RAB4CQ221J
R 626	(B,58,45)	RS1/16SS0R0J	R 752	(B,58,18)	RS1/16SS471J
R 627	(B,62,45)	RS1/16SS473J	R 753	(B,58,19)	RS1/16SS102J
R 629	(A,69,56)	RS1/16SS0R0J	R 754	(B,68,18)	RS1/16SS0R0J
R 630	(A,69,45)	RS1/16SS473J	R 757	(B,64,16)	RS1/16SS472J
R 631	(A,70,46)	RS1/16SS104J	R 758	(B,66,16)	RS1/16SS472J
R 632	(A,70,50)	RS1/16SS473J	R 759	(B,61,16)	RS1/16SS102J
R 633	(A,68,50)	RS1/16SS102J	R 821	(A,45,101)	RS1/16SS153J
R 634	(B,64,45)	RS1/16SS473J	R 832	(B,65,75)	RS1/16SS104J
R 635	(B,59,42)	RS1/16SS273J	R 833	(B,59,75)	RS1/16SS103J
R 636	(A,68,52)	RS1/16SS472J	R 834	(B,55,103)	RS1/4SA102J
R 637	(A,68,53)	RS1/16SS472J	R 841	(B,69,75)	RS1/16SS103J
R 638	(A,63,69)	RS1/16SS102J	R 842	(B,72,79)	RS1/4SA102J
R 642	(B,65,52)	RS1/16SS473J	R 861	(A,44,63)	RS1/16SS473J
R 644	(A,70,53)	RS1/16SS102J	R 863	(A,50,98)	RS1/16SS223J
R 645	(B,66,60)	RS1/16SS102J	R 864	(A,55,97)	RS1/16SS473J
R 646	(A,68,62)	RS1/16SS121J	R 865	(A,49,98)	RS1/16SS473J
R 647	(A,68,64)	RS1/16SS104J	R 866	(A,51,105)	RS1/16SS103J
R 648	(A,68,63)	RS1/16SS121J	R 867	(A,43,63)	RS1/16SS102J
R 652	(A,73,48)	RS1/16SS473J	R 868	(B,43,66)	RS1/16SS102J
R 653	(A,68,48)	RS1/16SS471J	R 873	(B,66,103)	RS1/16SS103J
R 654	(A,68,49)	RS1/16SS471J	R 874	(B,65,103)	RS1/16SS473J
R 655	(A,71,51)	RS1/16SS472J	R 875	(B,60,103)	RS1/16SS392J
R 656	(B,60,51)	RS1/16SS681J	R 878	(B,62,101)	RS1/16SS104J
R 658	(B,68,59)	RS1/16SS104J	R 879	(B,64,101)	RS1/16SS473J
R 659	(A,67,66)	RS1/16SS0R0J	R 880	(B,55,100)	RS1/4SA102J
R 660	(A,67,67)	RS1/16SS0R0J	R 1009	(B,78,64)	RS1/16SS101J
R 661	(A,67,68)	RS1/16SS0R0J	R 1010	(B,81,64)	RS1/16SS101J
R 662	(A,67,69)	RS1/16SS0R0J	R 1011	(B,90,63)	RS1/16SS101J
R 663	(A,61,69)	RS1/16SS473J	R 1012	(B,86,64)	RS1/16SS101J
R 664	(A,59,69)	RS1/16SS103J	R 1013	(B,83,69)	RS1/10SR101J

1

2

3

4

5		6		7		8	
<u>Circuit Symbol and No.</u>		<u>Part No.</u>		<u>Circuit Symbol and No.</u>		<u>Part No.</u>	
R 1051	(B,71,49)	RS1/16SS750J		R 1302	(A,97,22)	RS1/16SS273J	
R 1052	(B,69,40)	RS1/10SR0R0J		R 1303	(B,107,44)	RS1/16SS0R0J	
R 1053	(A,76,40)	RS1/16SS472J		R 1305	(A,106,21)	RS1/16SS121J	
R 1054	(B,92,40)	RS1/16SS473J		R 1306	(A,106,19)	RS1/16SS104J	A
R 1055	(B,71,39)	RS1/16SS101J		R 1307	(B,123,27)	RS1/16SS473J	
R 1056	(B,71,38)	RS1/16SS101J		R 1310	(B,102,32)	RS1/16SS101J	
R 1057	(B,92,39)	RS1/16SS561J		R 1311	(B,120,28)	RS1/16SS472J	
R 1058	(B,74,36)	RS1/16SS105J		R 1312	(B,121,29)	RS1/16SS472J	
R 1059	(B,72,37)	RS1/16SS471J		R 1313	(B,118,28)	RS1/16SS472J	
R 1060	(B,82,30)	RS1/16SS391J		R 1314	(A,124,31)	RS1/16SS472J	
R 1061	(B,83,30)	RS1/16SS391J		R 1315	(B,119,28)	RS1/16SS472J	
R 1062	(B,83,32)	RS1/16SS391J		R 1316	(B,117,28)	RS1/16SS472J	
R 1063	(B,84,30)	RS1/16SS391J		R 1318	(B,110,51)	RS1/16SS104J	
R 1064	(B,85,30)	RS1/16SS391J		R 1319	(A,128,43)	RS1/16SS104J	
R 1065	(B,86,31)	RS1/16SS391J		R 1320	(A,126,52)	RS1/16SS104J	B
R 1066	(B,88,31)	RS1/16SS391J		R 1321	(A,126,56)	RS1/16SS104J	
R 1067	(B,86,32)	RS1/16SS391J		R 1322	(A,128,51)	RS1/16SS473J	
R 1068	(B,88,32)	RS1/16SS221J		R 1323	(A,118,61)	RS1/16SS101J	
R 1069	(B,87,34)	RS1/16SS221J		R 1324	(A,123,57)	RS1/16SS104J	
R 1070	(B,89,34)	RS1/16SS561J		R 1325	(A,100,59)	RS1/16SS2402F	
R 1071	(B,74,33)	RS1/16SS473J		R 1326	(A,103,61)	RS1/16SS681J	
R 1072	(B,81,30)	RS1/16SS101J		R 1327	(B,105,60)	RS1/16SS5601F	
R 1073	(B,77,33)	RS1/16SS101J		R 1328	(A,112,62)	RS1/16SS222J	
R 1074	(B,69,39)	RS1/16SS222J		R 1329	(B,113,57)	RS1/16SS473J	
R 1075	(B,69,37)	RS1/16SS222J		R 1330	(B,114,57)	RS1/16SS473J	C
R 1076	(B,72,26)	RS1/10SR0R0J		R 1331	(A,106,64)	RS1/16SS103J	
R 1077	(B,70,26)	RS1/10SR0R0J		R 1332	(A,106,65)	RS1/16SS101J	
R 1080	(B,73,49)	RS1/16SS0R0J		R 1333	(B,118,58)	RS1/16SS473J	
R 1081	(B,87,54)	RS1/16SS750J		R 1334	(A,114,62)	RS1/16SS473J	
R 1082	(B,84,54)	RS1/16SS750J		R 1335	(B,99,28)	RS1/16SS0R0J	
R 1083	(B,69,26)	RS1/10SR0R0J		R 1337	(A,96,23)	RS1/16SS101J	
R 1084	(B,81,54)	RS1/16SS750J		R 1338	(A,109,64)	RS1/16SS104J	
R 1085	(B,78,55)	RS1/16SS750J		R 1339	(A,98,65)	RS1/16SS273J	
R 1101	(B,128,29)	RAB4CQ221J		R 1340	(A,93,66)	RS1/16SS104J	
R 1102	(B,125,29)	RAB4CQ221J		R 1341	(A,126,46)	RS1/16SS104J	
R 1103	(B,120,33)	RAB4CQ471J		R 1342	(A,89,30)	RS1/16SS104J	D
R 1104	(B,116,33)	RAB4CQ471J		R 1344	(B,119,53)	RS1/16SS150J	
R 1105	(B,113,33)	RAB4CQ471J		R 1345	(B,103,29)	RS1/16SS473J	
R 1106	(B,122,50)	RS1/16SS471J		R 1347	(A,129,46)	RS1/16SS0R0J	
R 1108	(B,130,52)	RAB4CQ221J		R 1348	(A,94,25)	RS1/16SS101J	
R 1109	(B,126,52)	RAB4CQ221J		R 1349	(B,95,16)	RS1/16SS0R0J	
R 1110	(B,115,51)	RAB4CQ471J		R 1350	(A,90,50)	RS1/16SS152J	
R 1111	(B,112,51)	RAB4CQ471J		R 1351	(A,92,60)	RS1/16SS102J	
R 1112	(B,118,51)	RS1/16SS471J		R 1352	(A,90,66)	RAB4CQ473J	
R 1151	(B,98,52)	RS1/16SS821J		R 1353	(B,118,54)	RS1/16SS0R0J	
R 1152	(B,109,52)	RS1/16SS821J		R 1355	(B,115,55)	RS1/16SS0R0J	
R 1201	(B,107,41)	RS1/16SS222J		R 1356	(A,129,47)	RS1/16SS0R0J	E
R 1202	(B,109,37)	RS1/16SS183J		R 1359	(A,128,49)	RS1/16SS0R0J	
R 1203	(B,104,42)	RS1/16SS222J		R 1360	(B,122,56)	RS1/16SS0R0J	
R 1205	(B,108,41)	RS1/16SS101J		R 1365	(A,91,24)	RS1/16SS331J	
R 1206	(B,104,43)	RS1/16SS101J		R 1376	(A,91,27)	RS1/16SS0R0J	
R 1209	(B,109,41)	RS1/16SS221J		R 1378	(A,88,28)	RS1/16SS0R0J	
R 1251	(A,126,50)	RS1/16SS220J		R 1379	(A,87,32)	RS1/16SS0R0J	
R 1252	(A,130,52)	RS1/16SS470J		R 1380	(A,89,54)	RS1/16SS101J	
R 1253	(B,76,30)	RS1/16SS0R0J		R 1381	(A,88,26)	RS1/16SS0R0J	
R 1256	(B,75,30)	RS1/16SS0R0J		R 1382	(A,85,53)	RS1/16SS101J	
R 1257	(A,128,52)	RS1/16SS470J		R 1383	(A,117,61)	RS1/16SS101J	F
R 1258	(A,130,49)	RS1/16SS470J		R 1384	(A,120,61)	RS1/16SS102J	
R 1259	(A,129,56)	RS1/16SS470J		R 1385	(A,89,53)	RS1/16SS101J	
R 1260	(B,139,57)	RS1/16SS470J		R 1386	(A,88,46)	RS1/16SS101J	

	1	2	3	4
	<u>Circuit Symbol and No.</u>	<u>Part No.</u>	<u>Circuit Symbol and No.</u>	<u>Part No.</u>
	R 1387 (B,113,55)	RS1/16SS472J	R 1677 (A,151,34)	RS1/16SS101J
	R 1388 (A,84,46)	RS1/16SS101J	R 1678 (A,166,24)	RS1/16SS102J
	R 1389 (A,88,45)	RS1/16SS101J	R 1679 (A,165,24)	RS1/16SS102J
A	R 1391 (A,111,62)	RS1/16SS102J	R 1680 (B,165,25)	RS1/16SS102J
	R 1392 (A,84,44)	RS1/16SS101J	R 1683 (A,162,24)	RS1/16SS0R0J
	R 1393 (A,88,30)	RS1/16SS101J	R 1684 (A,146,13)	RS1/16SS821J
	R 1395 (A,88,44)	RS1/16SS101J	R 1685 (A,147,23)	RS1/16SS821J
	R 1396 (A,85,43)	RS1/16SS101J	R 1686 (A,147,35)	RS1/16SS0R0J
	R 1398 (A,89,43)	RS1/16SS101J	R 1687 (A,147,34)	RS1/16SS0R0J
	R 1400 (A,89,42)	RS1/16SS101J	R 1690 (A,154,23)	RS1/16SS0R0J
	R 1402 (A,86,41)	RS1/16SS101J	R 1692 (A,160,24)	RS1/16SS0R0J
	R 1404 (A,89,40)	RS1/16SS101J	R 1693 (A,158,24)	RS1/16SS0R0J
	R 1406 (A,86,40)	RS1/16SS101J	R 1697 (A,159,22)	RS1/16SS181J
	R 1408 (A,89,38)	RS1/16SS101J	R 1701 (A,138,104)	RS1/10SR222J
B	R 1410 (A,89,37)	RS1/16SS101J	R 1702 (A,133,104)	RS1/16SS562J
	R 1412 (A,89,36)	RS1/16SS101J	R 1703 (A,133,105)	RS1/16SS332J
	R 1414 (A,87,35)	RS1/16SS101J	R 1711 (B,67,71) (A)	RS1/16SS0R0J
	R 1416 (A,87,34)	RS1/16SS0R0J	R 1712 (A,124,71) (A)	RS1/16SS471J
	R 1418 (A,126,39)	RS1/16SS101J	R 1714 (B,63,52)	RS1/16SS102J
	R 1419 (A,97,25)	RS1/16SS0R0J	R 1721 (A,122,98)	RS1/16SS153J
	R 1423 (A,113,23)	RS1/16SS222J	R 1722 (A,121,99)	RS1/16SS153J
	R 1424 (A,123,59)	RS1/16SS0R0J	R 1723 (A,121,101)	RS1/16SS153J
	R 1425 (A,89,24)	RS1/16SS0R0J	R 1724 (A,131,98)	RS1/16SS153J
	R 1426 (A,91,26)	RS1/16SS0R0J	R 1725 (A,132,98)	RS1/16SS153J
	R 1427 (A,85,32)	RS1/16SS0R0J	R 1726 (A,132,100)	RS1/16SS153J
C	R 1428 (A,130,46)	RS1/16SS0R0J	R 1727 (A,123,97)	RS1/16SS153J
	R 1429 (A,130,47)	RS1/16SS0R0J	R 1729 (A,135,94)	RS1/16SS102J
	R 1431 (A,100,61)	RS1/16SS104J	R 1730 (A,134,98)	RS1/16SS472J
	R 1432 (A,98,61)	RS1/16SS104J	R 1731 (A,130,97)	RS1/16SS153J
	R 1433 (A,98,64)	RS1/16SS104J	R 1732 (A,128,112)	RS1/16SS153J
	R 1434 (A,96,64)	RS1/16SS104J	R 1733 (A,124,107)	RS1/16SS273J
	R 1435 (A,91,63)	RS1/16SS104J	R 1734 (A,125,107)	RS1/16SS273J
	R 1436 (B,92,54)	RS1/16SS104J	R 1735 (A,119,114)	RS1/16SS153J
	R 1621 (B,140,108)	RS1/16SS750J	R 1736 (A,128,113)	RS1/16SS473J
	R 1622 (B,134,106)	RS1/16SS223J	R 1737 (A,118,110)	RS1/16SS153J
D	R 1623 (B,123,110)	RS1/16SS223J	R 1738 (A,118,114)	RS1/16SS153J
	R 1631 (B,45,110)	RS1/16SS390J	R 1739 (A,118,112)	RS1/16SS153J
	R 1632 (A,45,113)	RS1/16SS223J	R 1740 (A,121,108)	RS1/16SS153J
	R 1633 (A,37,109)	RS1/16SS472J	R 1742 (A,130,110)	RS1/16SS273J
	R 1634 (A,34,113)	RS1/16SS223J	R 1743 (A,130,112)	RS1/16SS273J
	R 1635 (A,36,109)	RS1/16SS472J	R 1744 (A,123,105)	RS1/16SS103J
	R 1636 (B,39,110)	RS1/16SS390J	R 1763 (A,100,72)	RS1/16SS103J
	R 1637 (B,43,110)	RS1/16SS390J	R 1764 (A,109,80)	RS1/16SS0R0J
	R 1638 (A,40,113)	RS1/16SS223J	R 1781 (B,64,26)	RS1/16SS0R0J
	R 1639 (A,42,109)	RS1/16SS472J	R 1782 (B,78,26)	RS1/16SS0R0J
E	R 1640 (A,43,109)	RS1/16SS472J	R 1822 (A,88,96)	RS1/16SS823J
	R 1641 (A,32,113)	RS1/16SS223J	R 1823 (A,90,96)	RS1/16SS103J
	R 1642 (B,37,110)	RS1/16SS390J	R 1824 (A,86,97)	RS1/16SS153J
	R 1643 (B,41,110)	RS1/16SS390J	R 1851 (A,98,84)	RS1/16SS681J
	R 1644 (A,38,113)	RS1/16SS223J	R 1852 (A,103,84)	RS1/16SS223J
	R 1645 (A,30,111)	RS1/16SS472J	R 1853 (A,103,83)	RS1/16SS274J
	R 1646 (A,29,111)	RS1/16SS472J	R 1854 (A,102,76)	RS1/16SS273J
	R 1647 (A,27,113)	RS1/16SS223J	R 1857 (A,99,85)	RS1/16SS683J
	R 1648 (B,35,110)	RS1/16SS390J	R 1866 (A,101,83)	RS1/16SS100J
	R 1651 (B,33,18)	RS1/16SS473J	R 1868 (A,97,75)	RS1/16SS103J
	R 1652 (B,32,18)	RS1/16SS473J	R 1901 (A,94,75) (A)	RS1/16SS0R0J
F	R 1653 (B,23,18)	RS1/16SS681J	R 1902 (A,93,76) (B)	RS1/16SS0R0J
	R 1663 (B,126,10)	RS1/16SS122J	R 1903 (B,32,33) (A)	RS1/10SR0R0J
	R 1664 (B,130,13)	RS1/16SS152J	R 1952 (B,149,66)	RS1/16SS561J
	R 1674 (B,155,37)	RS1/16SS101J	R 1953 (B,150,67)	RS1/16SS3302D
			R 1954 (B,150,65)	RS1/16SS4301D

5  
**Circuit Symbol and No.**

6  
**Part No.**

7  
**Circuit Symbol and No.**

8  
**Part No.**

R 1955 (B,150,64)  
R 1956 (B,150,68)  
R 1957 (B,160,63)  
R 1959 (B,160,75) 0.011 ohm  
R 1960 (B,163,64)

RS1/16SS3601D  
RS1/16SS123J  
RS1/16SS103J  
CCN1341  
RS1/16SS204J

R 3681 (A,91,39)  
R 3682 (A,98,44)  
R 3683 (B,112,29)  
R 3684 (B,111,28)  
R 3685 (B,108,38)

RS1/16SS103J  
RS1/16SS103J  
RS1/16SS221J  
RS1/16SS221J  
RS1/16SS101J

R 1961 (B,163,63)  
R 1962 (B,154,75) 0.012 ohm  
R 1963 (B,158,63)  
R 1964 (B,165,67)  
R 1965 (B,165,64)

RS1/16SS394J  
CCN1321  
RS1/16SS224J  
RS1/16SS472J  
RS1/16SS1101D

R 3686 (B,114,35)  
R 3687 (B,114,29)  
R 3701 (B,150,42) (A)  
R 3702 (B,151,40) (A)  
R 3703 (B,150,44) (A)

RS1/16SS101J  
RS1/16SS470J  
RS1/16SS471J  
RS1/16SS223J  
RS1/16SS223J

R 1966 (B,167,64)  
R 1967 (B,165,66)  
R 1968 (B,167,66)  
R 2003 (B,145,39)  
R 2011 (B,111,14)

RS1/16SS3000D  
RS1/16SS1002D  
RS1/16SS511J  
RS1/10SR0R0J  
RS1/16SS472J

R 3704 (B,152,39) (A)  
R 3705 (B,150,47) (A)  
R 3706 (A,152,35) (A)  
R 3707 (A,153,37) (A)  
R 3713 (A,153,34) (A)

RS1/16SS181J  
RS1/16SS181J  
RS1/10SR822J  
RS1/10SR471J  
RS1/16SS104J

R 2012 (B,112,13)  
R 2013 (B,112,15)  
R 2022 (B,82,18)  
R 2024 (B,81,19)  
R 2031 (B,79,22)

RS1/16SS223J  
RS1/16SS473J  
RS1/16SS0R0J  
RS1/10SR0R0J  
RS1/16SS102J

R 3732 (B,136,44)

**CAPACITORS**

R 2052 (B,154,18)  
R 2101 (B,170,97)  
R 2102 (B,168,97)  
R 2103 (B,168,98)  
R 2104 (B,170,98)

RS1/16SS0R0J  
RS1/16SS3601D  
RS1/16SS4702D  
RS1/16SS2202D  
RS1/16SS222J

C 101 (B,125,69)  
C 102 (B,125,70)  
C 103 (B,125,71)  
C 104 (B,125,72)  
C 105 (B,125,73)

CKSSYB104K10  
CKSSYB104K10  
CKSSYB104K10  
CKSSYB104K10  
CKSSYB104K10

R 2105 (B,158,90)  
R 2131 (A,40,15)  
R 2132 (B,43,19)  
R 2133 (B,39,20)  
R 2161 (A,156,110)

RS1/8SQ0R0J  
RS1/16SS473J  
RS1/10SR121J  
RS1/16SS220J  
RS1/16SS102J

C 106 (B,125,74)  
C 107 (B,125,75)  
C 108 (B,125,76)  
C 109 (B,126,78)  
C 110 (B,127,81) 10 uF

CKSSYB104K10  
CKSSYB104K10  
CKSSYB104K10  
CKSSYB104K10  
CCG1192

R 2162 (A,156,111)  
R 2163 (A,156,108)  
R 2164 (B,171,113)  
R 2165 (B,171,110)  
R 2166 (B,164,115)

RS1/16SS102J  
RS1/16SS102J  
RS1/16SS224J  
RS1/16SS4702D  
RS1/16SS152J

C 111 (B,126,83)  
C 112 (B,125,83)  
C 113 (B,128,66) 10 uF  
C 114 (B,126,67)  
C 115 (B,130,83)

CKSSYB104K10  
CKSSYB104K10  
CCG1192  
CKSSYB104K10  
CKSRYB104K16

R 2167 (B,165,115)  
R 2168 (B,166,115)  
R 2169 (B,157,110)  
R 2170 (A,156,109)  
R 2171 (A,158,103) 0.056 ohm

RS1/16SS3302D  
RS1/16SS8201D  
RS1/16SS752J  
RS1/16SS102J  
ACN7160

C 116 (B,130,81) 10 uF  
C 117 (B,133,80)  
C 118 (B,134,81) 10 uF  
C 119 (B,140,70)  
C 120 (B,140,71)

CCG1192  
CKSRYB104K16  
CCG1192  
CKSRYB105K10  
CKSRYB105K10

R 2172 (B,159,107)  
R 2173 (B,172,103)  
R 2174 (B,171,104)  
R 2177 (B,166,113)  
R 2178 (B,164,113)

RS1/16SS0R0J  
RS1/16SS394J  
RS1/16SS204J  
RS1/16SS0R0J  
RS1/16SS0R0J

C 121 (B,140,73)  
C 122 (B,140,74)  
C 123 (B,140,75)  
C 124 (B,140,77)  
C 125 (B,140,78)

CKSRYB105K10  
CKSRYB105K10  
CKSRYB105K10  
CKSRYB105K10  
CKSRYB105K10

R 3621 (B,29,35)  
R 3641 (B,81,42)  
R 3642 (B,61,40)  
R 3643 (B,86,38)  
R 3661 (B,101,41)

RS1/16SS750J  
RS1/16SS223J  
RS1/16SS223J  
RS1/16SS750J  
RAB4CQ750J

C 126 (B,140,79)  
C 127 (B,140,81)  
C 128 (B,132,66)  
C 129 (B,129,66)  
C 130 (B,122,77)

CKSRYB105K10  
CKSRYB105K10  
CKSRYB105K10  
CKSRYB105K10  
CKSSYB104K10

R 3662 (B,115,33)  
R 3663 (B,114,32)  
R 3664 (B,115,26)  
R 3665 (A,115,43)  
R 3666 (A,116,40)

RS1/16SS223J  
RS1/16SS223J  
RS1/16SS562J  
RS1/10SR102J  
RS1/10SR102J

C 131 (B,125,77)  
C 132 (B,133,66)  
C 133 (B,136,65)  
C 134 (B,139,67)  
C 135 (B,141,67)

CKSSYB104K10  
CKSRYB105K10  
CKSRYB105K10  
CKSRYB105K10  
CKSRYB105K10

R 3668 (A,121,38)  
R 3669 (A,122,39)  
R 3677 (B,113,27)  
R 3678 (B,113,26)  
R 3680 (A,91,40)

RS1/10SR471J  
RS1/10SR471J  
RS1/16SS272J  
RS1/16SS272J  
RS1/16SS103J

C 136 (B,140,69)  
C 137 (B,131,66)  
C 138 (B,135,66)  
C 139 (B,134,83)  
C 140 (B,124,80)

CKSRYB105K10  
CKSRYB105K10  
CKSRYB105K10  
CCSSCH102J50  
CKSSYB271K50

	1	2	3	4
	<u>Circuit Symbol and No.</u>	<u>Part No.</u>	<u>Circuit Symbol and No.</u>	<u>Part No.</u>
	C 201 (B,129,103)	CKSSYB332K50		
	C 203 (B,126,103) 2.2 uF	CCG1218	C 460 (B,33,82)	CCSSCH4R0C50
	C 251 (B,116,107)	CCSSCH100D50	C 461 (B,29,84)	CCSSCH4R0C50
A	C 252 (B,110,94)	CCSSCH101J50	C 509 (A,43,93)	CCSSCH330J50
	C 253 (B,113,103)	CKSRYB105K10	C 510 (A,45,93)	CCSSCH6R0D50
			C 512 (A,32,96)	CKSRYB103K50
	C 254 (B,112,106)	CCSQCH223J50		
	C 255 (B,114,106)	CCSQCH223J50	C 513 (A,48,93)	CKSSYB103K16
	C 256 (B,116,105)	CKSRYB105K10	C 514 (A,40,88)	CKSSYB104K10
	C 257 (B,117,105)	CKSRYB105K10	C 515 (A,37,87)	CKSSYB104K10
	C 258 (B,119,105) (A)	CKSRYB105K10	C 517 (A,48,90)	CKSSYB103K16
			C 518 (A,46,85)	CKSSYB103K16
	C 259 (B,120,105) (A)	CKSRYB105K10		
	C 260 (B,122,105)	CKSRYB105K10	C 519 (A,39,87)	CKSSYB104K10
	C 261 (B,123,105)	CKSRYB105K10	C 520 (A,33,90)	CCSSCJ3R0C50
	C 262 (B,127,98)	CCSSCH101J50	C 521 (A,39,86)	CKSSYB103K16
B	C 263 (B,130,99)	CKSRYB104K16	C 522 (A,36,87)	CKSSYB103K16
			C 523 (A,35,87) 10 uF	CCG1192
	C 264 (B,127,100)	CKSRYB474K10		
	C 265 (B,135,98) 10 uF	CCG1192	C 524 (A,33,86)	CKSSYB223K16
	C 266 (B,126,96)	CCSSCH101J50	C 525 (A,41,90)	CKSRYB105K10
	C 267 (B,129,95) 10 uF	CCG1192	C 527 (A,42,86)	CKSSYB103K16
	C 268 (B,119,87)	CKSRYB105K10	C 529 (A,38,92) 10 uF	CCG1192
			C 530 (A,30,83) 10 uF	CCG1192
	C 269 (B,113,87)	CKSRYB105K10		
	C 270 (B,114,87)	CKSRYB105K10	C 531 (A,33,83)	CCSSCJ3R0C50
	C 271 (B,116,87)	CKSRYB105K10	C 538 (A,31,82)	CKSSYB104K10
	C 272 (B,117,87)	CKSRYB105K10	C 539 (A,29,81)	CCSSCH101J50
	C 273 (B,120,87) (A)	CKSRYB105K10	C 540 (A,35,85)	CKSSYB104K10
C			C 541 (A,28,81)	CKSSYB103K16
	C 274 (B,122,87) (A)	CKSRYB105K10		
	C 275 (B,117,85)	CCSSCH100D50	C 542 (A,32,79)	CCSSCH820J50
	C 276 (B,124,87)	CKSSYB104K10	C 543 (A,31,76)	CKSSYB104K10
	C 277 (B,130,92) 10 uF	CCG1192	C 544 (A,30,73) 2.2 uF	CCG1218
	C 278 (B,108,100)	CCSRCH102J50	C 545 (A,32,77)	CCSSCH101J50
			C 547 (A,31,72)	CKSSYB104K10
	C 279 (B,111,101)	CKSRYB105K10		
	C 280 (B,108,96) 10 uF	CCG1236	C 548 (A,34,70)	CKSSYB104K10
	C 281 (B,111,95)	CCSSCH101J50	C 549 (A,33,70)	CKSSYB104K10
	C 282 (B,105,93)	CCSRCH102J50	C 550 (A,29,75)	CKSSYB104K10
	C 285 (B,107,92) 10 uF	CCG1236	C 553 (A,32,72)	CCSSCH220J50
			C 554 (A,34,73)	CKSSYB102K50
D	C 286 (B,103,94)	CKSSYB104K16		
	C 287 (B,127,96)	CCSSCH102J50	C 555 (A,38,71)	CKSSYB104K10
	C 289 (B,130,100)	CCSSCH102J50	C 556 (A,48,83)	CCSSCH220J50
	C 290 (B,124,106)	CKSSYB103K16	C 557 (A,52,85)	CKSRYB224K16
	C 301 (B,86,102) 10 uF	CCG1192	C 558 (A,48,81)	CKSSYB224K6R3
			C 559 (A,51,82)	CKSRYB105K10
	C 305 (A,113,113)	CKSRYB104K16		
	C 307 (B,74,123)	CCSSCH101J50	C 560 (A,50,79)	CCSSCH100D50
	C 308 (B,74,122)	CCSSCH100D50	C 561 (A,52,80)	CCSSCH100D50
	C 311 (A,85,89) 100 uF/16 V(A)	CCH2081	C 562 (A,53,80)	CKSSYB472K25
	(A,85,89) (B)	XCEHVW101M16	C 563 (A,51,79)	CKSSYB472K25
	C 321 (B,85,108) 4.7 uF	CCG1201	C 564 (A,52,78)	CCSSCH100D50
E	C 341 (A,95,111) 0.22 uF	CCG1313	C 565 (A,48,78)	CKSSYB104K10
	C 342 (A,92,111) 0.22 uF	CCG1313	C 566 (A,52,73)	CCSSCH100D50
	C 343 (A,102,112) 0.22 uF	CCG1313	C 568 (A,46,71) 2.2 uF	CCG1218
	C 344 (A,99,112) 0.22 uF	CCG1313	C 569 (A,46,72)	CCSRCH220J50
	C 349 (A,105,112) 1 uF	CCG1325	C 570 (A,46,70)	CKSSYB104K10
	C 350 (A,89,109) 4.7 uF	CCG1291	C 571 (A,43,70) 2.2 uF	CCG1218
	C 352 (B,74,121)	CKSRYB104K16	C 573 (A,44,71)	CKSSYB104K10
	C 353 (A,86,109) 4.7 uF	CCG1291	C 574 (A,48,75)	CCSSCH220J50
	C 401 (B,20,40) 10 uF(A)	CCG1192	C 601 (A,62,43)	CKSSYB104K10
	C 402 (B,21,53) 10 uF(A)	CCG1192	C 602 (A,65,43)	CKSSYB104K10
F	C 454 (A,30,96)	CCSSCK2R0C50	C 603 (B,58,44)	CKSSYB331K50
	C 455 (A,23,96)	CCSSCJ3R0C50	C 604 (A,63,68)	CKSSYB104K10
	C 456 (B,24,83)	CCSSCH5R0C50	C 606 (A,71,54)	CCSSCH8R0D50
	C 458 (B,35,88)	CCSSCH5R0C50	C 607 (A,68,57)	CCSSCH100D50
	C 459 (B,31,82)	CCSSCH4R0C50	C 608 (A,68,60)	CKSSYB104K10

5  
**Circuit Symbol and No.**

6  
**Part No.**

7  
**Circuit Symbol and No.**

8  
**Part No.**

C 610 (B,64,56)  
C 612 (B,65,59)  
C 613 (A,44,54)  
C 614 (A,57,73)  
C 615 (A,57,74) 0.1 uF

CKSSYB104K10  
CKSSYB102K50  
CKSSYB104K10  
CKSSYB103K16  
CCG1321

C 1076 (B,71,29) 10 uF  
C 1078 (B,86,54)  
C 1079 (B,89,54)  
C 1080 (B,85,50)  
C 1081 (B,85,49)

CCG1192  
CKSRYB105K10  
CKSRYB105K10  
CKSSYB103K16  
CKSSYB102K50

C 619 (A,73,63) 1 uF  
C 620 (A,68,59) 1 uF  
C 621 (A,57,72)  
C 751 (B,49,22)  
C 753 (B,47,19) 10 uF

DCH1246  
DCH1246  
CCSSCH102J50  
CKSSYB104K10  
CCG1192

C 1082 (B,83,54)  
C 1083 (B,79,55)  
C 1085 (B,76,34)  
C 1086 (B,88,46)  
C 1101 (B,135,38)

CKSRYB105K10  
CKSRYB105K10  
CCSSCH5R0C50  
CKSSYB104K10  
CKSSYB104K10

C 754 (B,52,17) 10 uF  
C 756 (A,134,69)  
C 801 (A,76,98)  
C 821 (A,49,104)  
C 831 (B,63,78)

CCG1192  
CKSSYB104K10  
XCEHAT332M16  
CKSRYB104K50  
CKSRYB104K50

C 1102 (B,131,33)  
C 1103 (B,127,33)  
C 1104 (B,122,34)  
C 1105 (B,110,38)  
C 1106 (B,129,49)

CKSSYB104K10  
CKSSYB104K10  
CKSSYB104K10  
CKSSYB104K10  
CKSSYB104K10

C 841 (B,68,76)  
C 861 (A,54,102)  
C 1001 (B,88,61)  
C 1002 (B,85,61)  
C 1003 (B,81,61)

CKSRYB105K10  
CKSRYB104K50  
CKSSYB104K10  
CKSSYB104K10  
CKSSYB104K10

C 1107 (B,125,49)  
C 1108 (B,120,49)  
C 1152 (B,98,49) 10 uF  
C 1153 (B,104,55)  
C 1154 (B,102,56) 10 uF

CKSSYB104K10  
CCSSCH470J50  
CCG1192  
CKSSYB104K10  
CCG1192

C 1004 (B,77,61)  
C 1005 (B,89,65)  
C 1006 (B,93,67) 10 uF  
C 1007 (B,85,65)  
C 1008 (B,80,65)

CKSSYB104K10  
CKSSYB104K10  
CCG1192  
CKSSYB104K10  
CKSSYB104K10

C 1155 (B,98,53)  
C 1156 (B,109,54)  
C 1201 (B,109,38)  
C 1202 (B,109,39)  
C 1251 (B,139,53)

CKSSYB182K50  
CKSSYB182K50  
CKSSYB104K10  
CKSSYB102K50  
CKSSYB104K10

C 1009 (B,76,65)  
C 1010 (B,90,71)  
C 1011 (B,88,71)  
C 1012 (B,86,71)  
C 1013 (B,85,71)

CKSSYB104K10  
CKSRYB105K10  
CKSRYB105K10  
CKSRYB105K10  
CKSRYB105K10

C 1301 (A,96,25)  
C 1302 (A,100,25)  
C 1303 (A,103,26)  
C 1304 (A,106,25)  
C 1305 (A,108,24)

CKSSYB104K10  
CKSSYB104K10  
CKSSYB104K10  
CKSSYB104K10  
CKSSYB104K10

C 1014 (B,83,72)  
C 1015 (B,81,71)  
C 1016 (B,79,71)  
C 1017 (B,78,71)  
C 1018 (B,76,71)

CKSRYB105K10  
CKSRYB105K10  
CKSRYB105K10  
CKSRYB105K10  
CKSRYB105K10

C 1306 (A,110,25)  
C 1307 (A,114,25)  
C 1308 (A,117,25)  
C 1309 (B,109,43)  
C 1310 (A,124,30)

CKSSYB104K10  
CKSSYB104K10  
CKSSYB104K10  
CCSSCH470J50  
CKSSYB104K10

C 1051 (B,82,50)  
C 1052 (B,83,50)  
C 1053 (B,83,48)  
C 1054 (B,79,50)  
C 1055 (B,79,49)

CKSSYB474K6R3  
CKSSYB474K6R3  
CKSSYB474K6R3  
CKSSYB103K16  
CKSSYB102K50

C 1311 (A,124,32)  
C 1312 (A,124,34)  
C 1313 (A,125,36)  
C 1314 (A,124,38)  
C 1315 (A,124,40)

CKSSYB104K10  
CKSSYB104K10  
CKSSYB104K10  
CKSSYB104K10  
CKSSYB104K10

C 1056 (B,81,50)  
C 1057 (B,72,46) 10 uF  
C 1058 (B,74,45)  
C 1059 (B,90,46)  
C 1060 (B,73,45)

CKSSYB103K16  
CCG1192  
CKSSYB102K50  
CKSSYB104K10  
CKSSYB103K16

C 1316 (A,124,41)  
C 1317 (A,125,43)  
C 1318 (A,124,46)  
C 1319 (A,124,49)  
C 1320 (B,122,52)

CKSSYB104K10  
CKSSYB104K10  
CKSSYB104K10  
CKSSYB104K10  
CKSSYB104K10

C 1061 (B,90,44)  
C 1062 (B,70,46)  
C 1063 (B,72,42) 10 uF  
C 1064 (B,74,42)  
C 1065 (B,74,40)

CKSSYB104K10  
CKSRYB105K10  
CCG1192  
CKSSYB104K10  
CKSSYB104K10

C 1321 (B,122,53)  
C 1322 (A,123,54)  
C 1323 (A,125,57)  
C 1324 (A,94,60)  
C 1325 (A,96,60)

CKSSYB104K10  
CKSSYB104K10  
CKSSYB104K10  
CKSSYB104K10  
CKSSYB104K10

C 1066 (B,90,40)  
C 1067 (B,73,39)  
C 1068 (B,90,38)  
C 1069 (B,89,36)  
C 1070 (B,73,35)

CKSSYB104K10  
CKSSYB104K10  
CKSSYB104K10  
CKSSYB104K10  
CCSSCH5R0C50

C 1326 (A,101,59)  
C 1327 (A,102,60)  
C 1328 (B,105,57)  
C 1329 (B,106,57)  
C 1330 (A,105,60)

CKSSYB104K10  
CKSSYB104K10  
CKSSYB104K10  
CKSSYB104K10  
CKSSYB104K10

C 1071 (B,68,35)  
C 1072 (B,74,29) 10 uF  
C 1073 (B,79,33)  
C 1074 (B,81,33)  
C 1075 (B,74,32)

CCSSCH5R0C50  
CCG1192  
CKSSYB104K10  
CKSSYB104K10  
CKSSYB103K16

C 1331 (B,107,57)  
C 1332 (A,109,60)  
C 1333 (A,113,60)  
C 1334 (B,111,57)  
C 1335 (A,114,60)

CKSSYB104K10  
CKSSYB104K10  
CKSSYB104K10  
CKSSYB104K10  
CKSSYB104K10

	1	2	3	4
	<u>Circuit Symbol and No.</u>	<u>Part No.</u>	<u>Circuit Symbol and No.</u>	<u>Part No.</u>
A	C 1336 (A,106,63) 1 uF	DCH1246	C 1611 (A,40,110)	CCSRCH270J50
	C 1337 (A,103,63)	CCSSCH100D50	C 1612 (A,27,115)	CCSRCH270J50
	C 1338 (A,102,67)	CCSSCH100D50	C 1621 (B,139,111)	CKSRYB104K50
	C 1339 (A,110,64)	CCSSCH120J50	C 1622 (B,119,110)	CKSRYB104K50
	C 1340 (A,116,65)	CCSSCH120J50	C 1624 (B,131,111)	CKSRYB104K50
■	C 1341 (B,93,22)	CKSSYB104K10	C 1631 (B,45,107) 4.7 uF	CCG1201
	C 1342 (B,92,32)	CKSSYB104K10	C 1632 (B,39,107) 4.7 uF	CCG1201
	C 1343 (B,92,33)	CKSSYB104K10	C 1633 (B,43,107) 4.7 uF	CCG1201
	C 1344 (B,92,37)	CKSSYB104K10	C 1634 (B,37,107) 4.7 uF	CCG1201
	C 1345 (B,92,38)	CKSSYB104K10	C 1635 (B,41,107) 4.7 uF	CCG1201
B	C 1346 (B,92,41)	CKSSYB104K10	C 1636 (B,35,107) 4.7 uF	CCG1201
	C 1347 (B,92,42)	CKSSYB104K10	C 1651 (B,23,20)	CKSSYB104K10
	C 1348 (B,92,45)	CKSSYB104K10	C 1661 (B,126,13)	CKSSYB471K50
	C 1349 (B,92,46)	CKSSYB104K10	C 1671 (A,160,21)	CCSSCH101J50
	C 1350 (B,93,48)	CKSSYB104K10	C 1672 (A,163,36) 10 uF	CCG1192
■	C 1351 (A,84,49)	CCSSCH120J50	C 1673 (A,158,37) 10 uF	CCG1192
	C 1352 (B,93,49)	CKSSYB104K10	C 1676 (A,162,17)	XCEVW221M4
	C 1353 (A,89,50)	CCSSCH120J50	C 1677 (B,155,36)	CKSSYB103K16
	C 1354 (B,93,51)	CKSSYB104K10	C 1678 (B,163,25)	CKSRYB105K10
	C 1355 (B,108,22)	CKSSYB103K16	C 1681 (A,160,36)	CKSRYB104K16
C	C 1356 (B,138,46)	CKSSYB103K16	C 1682 (A,143,19) 10 uF	CCG1192
	C 1357 (B,106,25) 10 uF	CCG1192	C 1683 (A,146,23)	CKSSYB182K50
	C 1358 (B,139,45) 10 uF	CCG1192	C 1685 (A,145,18)	CKSSYB104K10
	C 1360 (A,87,30)	CCSSCH470J50	C 1686 (A,145,12)	CKSSYB182K50
	C 1361 (B,101,34)	CCSSCH560J50	C 1687 (A,143,23) 10 uF	CCG1192
■	C 1362 (A,84,34)	CCSSCH560J50	C 1688 (B,146,6)	CCSSCH101J50
	C 1363 (A,83,35)	CCSSCH560J50	C 1689 (B,146,7)	CKSSYB104K10
	C 1364 (A,82,35)	CCSSCH560J50	C 1701 (B,65,25)	CKSSYB471K50
	C 1365 (A,86,37)	CCSSCH560J50	C 1702 (B,63,25)	CKSSYB104K10
	C 1366 (A,84,37)	CCSSCH560J50	C 1703 (A,83,32)	CKSSYB104K16
D	C 1367 (A,83,38)	CCSSCH560J50	C 1704 (B,78,29)	CKSSYB104K10
	C 1368 (A,81,38)	CCSSCH560J50	C 1721 (A,122,101)	CCSSCH101J50
	C 1369 (A,82,41)	CCSSCH560J50	C 1722 (A,130,93)	CKSRYB105K10
	C 1370 (A,82,40)	CCSSCH560J50	C 1723 (A,134,100)	CKSRYB105K10
	C 1371 (A,80,41)	CCSSCH560J50	C 1724 (A,131,100)	CCSSCH101J50
■	C 1372 (A,80,42)	CCSSCH560J50	C 1725 (A,127,103)	CKSSYB104K10
	C 1373 (A,79,42)	CCSSCH560J50	C 1731 (A,125,104) 2.2 uF	CCG1218
	C 1374 (A,77,42)	CCSSCH560J50	C 1732 (A,124,104) 2.2 uF	CCG1218
	C 1375 (A,81,46)	CCSSCH560J50	C 1733 (A,122,110)	CKSSYB104K10
	C 1376 (A,79,46)	CCSSCH560J50	C 1734 (A,119,112)	CCSSCH101J50
E	C 1377 (A,81,50)	CCSSCH560J50	C 1735 (A,120,109) 2.2 uF	CCG1218
	C 1379 (A,81,52)	CCSSCH560J50	C 1736 (B,120,78) (A)	CKSSYB104K10
	C 1380 (A,81,54)	CCSSCH560J50	C 1737 (A,128,110) 2.2 uF	CCG1218
	C 1382 (A,86,26)	CCSSCH150J50	C 1738 (A,132,112) 2.2 uF	CCG1218
	C 1383 (A,86,33)	CCSSCH6R0D50	C 1739 (A,130,106)	CKSSYB104K10
F	C 1384 (A,110,60) 1 uF	DCH1246	C 1751 (B,62,67) (A)	CKSSYB104K10
	C 1386 (B,139,48)	CCSRCH102J50	C 1801 (A,64,76)	XCEHVW470M16
	C 1387 (B,108,26)	CCSRCH331J50	C 1802 (B,57,85)	CKSSYB104K10
	C 1388 (B,136,48)	CCSRCH331J50	C 1803 (B,63,82)	CKSRYB104K50
	C 1389 (B,110,26)	CCSRCH102J50	C 1804 (A,75,86)	XCEHAT102M16
■	C 1390 (A,90,30)	CCSSCH100D50	C 1821 (A,101,99) 100 uF/16 V(A)	CCH2081
	C 1399 (A,128,39)	CKSRYB224K16	(A,101,99) (B)	XCEHVW101M16
	C 1601 (A,156,105)	CKSRYB104K50	C 1822 (A,84,102)	CKSRYB105K16
	C 1604 (B,129,22)	CKSRYB104K16	C 1851 (A,98,90)	CKSSYB104K16
	C 1605 (B,128,11)	CKSRYB104K16	C 1855 (A,102,86) 10 uF	CCG1244
■	C 1606 (B,145,10)	CKSRYB104K16	C 1901 (B,35,62) 10 uF	CCG1192
	C 1607 (A,46,112)	CCSRCH270J50	C 1902 (B,32,61)	CKSRYB105K10
	C 1608 (A,36,115)	CCSRCH270J50	C 1906 (B,96,92) (A)	CKSSYB103K16
	C 1609 (A,42,115)	CCSRCH270J50	C 1911 (B,27,38) 2.2 uF(A)	CCG1218
	C 1610 (A,32,111)	CCSRCH270J50	C 1912 (B,24,39) (A)	CKSRYB105K10

5		6		7		8	
<u>Circuit Symbol and No.</u>		<u>Part No.</u>		<u>Circuit Symbol and No.</u>		<u>Part No.</u>	
C 1921	(B,25,54) 4.7 uF(A)	CCG1201		C 2168	(B,163,113)	CCSSCH471J50	
C 1922	(B,25,44) 4.7 uF(A)	CCG1201		C 2169	(B,157,109)	CKSSYB222K50	
C 1951	(B,150,66)	CCSSCH471J50		C 2170	(B,158,109)	CCSSCH270J50	A
C 1952	(B,150,69)	CKSSYB103K16		C 2172	(A,164,110)	XCEHVW470M16	
C 1953	(B,152,68)	CCSSCH8R0D50		C 2173	(B,160,108)	CKSSYB104K16	
C 1954	(B,164,68)	CCSSCH8R0D50		C 2185	(A,156,107)	CKSSYB104K16	
C 1955	(B,165,68)	CKSSYB103K16		C 2186	(A,159,106) 2.2 uF	DCH1256	
C 1956	(B,165,65)	CCSSCH102J50		C 3601	(B,117,33) 2.2 uF	CCG1218	
C 1957	(A,163,39)	CKSSYB102K50		C 3602	(B,117,32) 2.2 uF	CCG1218	
C 1958	(A,163,40)	CKSSYB104K10		C 3603	(B,117,30) 2.2 uF	CCG1218	
C 1959	(A,162,42) 10 uF	CCG1236		C 3604	(B,117,27) 2.2 uF	CCG1218	
C 1960	(A,162,44) 10 uF	CCG1236		C 3605	(B,117,25) 2.2 uF	CCG1218	
C 1961	(A,162,47) 47 uF	CCG1229		C 3641	(B,80,35)	CKSRYB104K50	
C 1963	(B,159,73)	CKSRYB473K50		C 3642	(B,70,21)	CKSRYB104K50	B
C 1964	(B,156,73)	CKSRYB102K50		C 3661	(A,98,42)	CKSSYB104K10	
C 1965	(B,157,82) 10 uF	CCG1236		C 3692	(B,124,40)	CKSSYB104K10	
C 1966	(B,159,63)	CKSSYB104K10		C 3702	(A,163,38) (A)	CKSRYB104K25	
C 1967	(B,157,79) 10 uF	CCG1236		C 3721	(B,106,30)	CKSRYB102K50	
C 1968	(B,157,77) 10 uF	CCG1236		C 3722	(A,118,35)	CKSRYB102K50	
C 1969	(B,164,69)	CKSSYB104K16		C 3723	(A,119,39)	CKSRYB102K50	
C 1970	(B,152,70)	CKSSYB104K16		C 3724	(A,117,43)	CKSRYB102K50	
C 1971	(B,157,63)	CKSSYB104K10		C 3725	(A,121,43)	CCSRCH180J50	
C 1972	(B,152,66)	CKSRYB105K10		C 3726	(A,125,43)	CCSRCH180J50	
C 1974	(A,152,48) 47 uF	CCG1229		C 3744	(A,77,35) (B)	CKSRYB105K10	C
C 1975	(B,158,86)	CKSRYB102K50					
C 1976	(A,152,45) 10 uF	CCG1236					
C 1977	(B,157,84) 10 uF	CCG1236					
C 1978	(A,152,43) 10 uF	CCG1236					
C 1979	(A,164,83)	XCEHAT332M16					
C 1980	(A,151,41)	CKSSYB104K10					
C 1981	(A,151,40)	CKSSYB102K50					
C 2011	(B,109,15)	CKSRYB105K10					
C 2012	(B,122,12)	CKSRYB105K10					
C 2023	(B,85,25) 10 uF	CCG1192					
C 2031	(B,76,23)	CKSRYB105K10					
C 2032	(B,80,25)	CKSRYB105K10					
C 2061	(B,164,19) 4.7 uF	CCG1201					
C 2062	(B,161,18)	CKSRYB105K10					
C 2071	(A,147,37)	CKSSYB104K10					
C 2083	(A,21,15)	CKSSYB104K10					
C 2101	(A,157,90)	CKSSYB103K16					
C 2102	(A,156,88) 10 uF	CCG1236					
C 2105	(B,168,100)	CKSSYB682K25					
C 2106	(B,163,91)	CKSSYB103K16					
C 2107	(B,159,94) 10 uF	CCG1236					
C 2108	(B,158,92)	CKSSYB103K16					
C 2109	(A,154,82)	XCEHVW470M16					
C 2131	(A,35,17)	XCEVW101M16					
C 2132	(A,39,15)	CKSRYB105K10					
C 2133	(B,39,21)	CKSSYB104K10					
C 2134	(B,45,22)	CKSSYB102K50					
C 2151	(A,49,23)	CKSRYB104K16					
C 2152	(A,140,85)	CKSSYB102K50					
C 2161	(B,170,103)	CKSSYB104K16					
C 2162	(B,158,104) 10 uF	CCG1236					
C 2163	(A,165,118)	XCEHVW101M16					
C 2164	(B,167,113)	CKSRYB105K10					
C 2165	(B,172,113)	CKSSYB102K50					
C 2166	(B,170,113)	CKSSYB472K25					
C 2167	(B,171,106)	CKSSYB104K16					



**Unit Number : YWX5032**

**Unit Name : DVD Core Unit**

**MISCELLANEOUS**

IC 1002	(B,15,13) Regulator IC	S-1133B50-U5
IC 1003	(B,37,11) IC	S-1200B50-M5
IC 1004	(B,64,28) IC	NJM2855DL1-33
IC 1251	(A,12,42) IC	BA5839FP
IC 1401	(B,27,41) Flash ROM Unit	CWW5043
IC 1402	(B,45,28) Flash ROM Unit	CWW5044
IC 1480	(A,64,30) RAM IC	M12L64164A-5TG2Y
IC 1501	(A,39,33) IC	MN2DS0018MA
IC 1801	(B,34,16) D/A Converter	PCM1753DBQ
IC 1951	(A,28,49) Logic IC	TC7SZU04FU
IC 1953	(B,57,17) IC	S-1135D12-A6
Q 1101	(B,13,59) Transistor	LSCR523UB
Q 1102	(B,13,56) Transistor	LSCR523UB
Q 1103	(B,10,63) Transistor	2SB1132
Q 1104	(B,22,54) Transistor	2SB1132
D 1901	(B,50,10) Diode	RSB6R8SM
D 1902	(B,50,9) Diode	RSB6R8SM
L 1501	(A,54,31) Inductor	CTF1743
L 1511	(A,48,17) Chip Beads	VTL1126
L 1902	(A,17,17) Inductor	CTF1487
L 1903	(B,63,16) Inductor	CTF1558
L 1904	(A,68,18) Ferrite Bead	CTF1528
X 1501	(B,48,18) Oscillator 27.000 MHz	CSS1823
X 1950	(A,23,51) Oscillator 48.000 MHz	CSS1760
F 1001	(A,14,19) Chip EMI Filter	DTF1106
F 1002	(B,63,18) Chip EMI Filter	DTL1106
S 1	(A,47,55) Spring Switch(HOME)	CSN1080

1

2

3

4

**Circuit Symbol and No.****Part No.****Circuit Symbol and No.****Part No.**

S 3 (B,25,13) Spring Switch(12EJ) CSN1081  
 VR1101 (A,7,63) Semi-fixed 6.8 kohm(B) CCP1447  
 VR1102 (A,7,60) Semi-fixed 15 kohm(B) CCP1449

R 1508 (B,42,18)  
 R 1509 (A,20,34)  
 R 1510 (A,11,29)

RS1/16SS221J  
 RS1/16SS102J  
 RS1/16SS102J

A CN1101 (A,21,63) Connector CKS6331  
 CN1952 (A,42,11) Connector CKS6025

R 1512 (A,55,32)  
 R 1513 (A,23,38)  
 R 1514 (A,24,40)  
 R 1516 (A,24,36)  
 R 1517 (B,57,22)

RS1/16SS470J  
 RS1/16SS103J  
 RS1/16SS183J  
 RS1/16SS104J  
 RS1/16SS103J

**RESISTORS**

R 1004 (B,12,20) RS1/16SS4702D  
 R 1007 (B,12,21) RS1/16SS6801D  
 R 1019 (B,34,7) RS1/16SS101J  
 R 1025 (B,36,6) RS1/16SS101J  
 R 1027 (A,40,18) RS1/16SS101J

R 1518 (B,33,31)  
 R 1519 (A,24,43)  
 R 1522 (A,21,37)  
 R 1523 (A,22,37)  
 R 1524 (B,29,33)

RS1/16SS103J  
 RS1/16SS102J  
 RS1/16SS104J  
 RS1/16SS221J  
 RS1/16SS472J

R 1101 (B,15,57) RS1/16SS104J  
 R 1102 (B,10,56) RS1/16SS104J  
 R 1103 (B,14,61) RS1/16SS4300F  
 R 1104 (B,11,59) RS1/16SS5100F  
 R 1105 (B,17,54) RS1/16SS4300F

R 1525 (A,24,44)  
 R 1526 (A,22,40)  
 R 1527 (A,35,49)  
 R 1528 (B,19,34)  
 R 1529 (B,35,21)

RS1/16SS103J  
 RS1/16SS103J  
 RS1/16SS682J  
 RS1/16SS103J  
 RS1/16SS103J

R 1106 (B,10,57) RS1/16SS5600F  
 R 1109 (B,6,57) RS1/16SS3R3J  
 R 1110 (B,16,54) RS1/16SS3R3J  
 R 1111 (B,6,63) RS1/10SR3R3J  
 R 1112 (B,5,58) RS1/10SR3R3J

R 1530 (B,17,34)  
 R 1531 (B,33,30)  
 R 1532 (A,24,42)  
 R 1534 (B,29,48)  
 R 1535 (A,22,44)

RS1/16SS103J  
 RS1/16SS103J  
 RS1/16SS101J  
 RS1/16SS221J  
 RS1/16SS104J

R 1113 (B,15,59) RS1/10SR3R9J  
 R 1114 (B,19,57) RS1/10SR3R3J  
 R 1115 (B,6,61) RS1/10SR2R7J  
 R 1116 (B,6,62) RS1/10SR2R7J  
 R 1117 (B,17,59) RS1/10SR3R9J

R 1536 (B,32,48)  
 R 1537 (A,24,46)  
 R 1538 (A,55,35)  
 R 1539 (B,33,48)  
 R 1540 (A,26,46)

RS1/16SS104J  
 RS1/16SS104J  
 RS1/16SS104J  
 RS1/16SS104J  
 RS1/16SS221J

R 1118 (B,16,59) RS1/10SR3R9J  
 R 1223 (A,42,50) RS1/16SS561J  
 R 1225 (B,29,8) RS1/16SS471J  
 R 1251 (A,5,48) RS1/16SS333J  
 R 1252 (A,5,47) RS1/16SS473J

R 1541 (A,26,45)  
 R 1542 (B,26,34)  
 R 1543 (A,32,48)  
 R 1544 (A,36,48)  
 R 1546 (A,33,49)

RS1/16SS221J  
 RS1/16SS103J  
 RS1/16SS181J  
 RS1/16SS181J  
 RS1/16SS682J

R 1253 (A,5,46) RS1/16SS333J  
 R 1254 (A,5,45) RS1/16SS473J  
 R 1255 (A,21,48) RS1/16SS183J  
 R 1256 (A,21,46) RS1/16SS752J  
 R 1257 (B,8,37) RS1/16SS221J

R 1601 (A,32,17)  
 R 1602 (A,32,18)  
 R 1603 (B,31,21)  
 R 1604 (A,23,21)  
 R 1605 (A,22,23)

RS1/16SS123J  
 RS1/16SS123J  
 RS1/16SS1002D  
 RS1/16SS105J  
 RS1/16SS105J

R 1258 (A,19,39) RS1/16SS221J  
 R 1401 (B,34,28) RS1/16SS221J  
 R 1402 (B,34,47) RS1/16SS104J  
 R 1405 (B,55,35) RS1/16SS104J  
 R 1406 (B,39,45) RS1/16SS472J

R 1670 (B,40,21)  
 R 1671 (B,42,19)  
 R 1672 (A,39,18)  
 R 1674 (A,36,17)  
 R 1801 (B,41,8)

RS1/16SS1002D  
 RS1/16SS2402D  
 RS1/16SS2000D  
 RS1/16SS3002D  
 RS1/16SS104J

R 1480 (A,72,24) RAB4CQ560J  
 R 1481 (A,72,28) RAB4CQ560J  
 R 1482 (A,72,32) RAB4CQ560J  
 R 1483 (A,72,35) RAB4CQ560J  
 R 1484 (A,72,39) RAB4CQ560J

R 1802 (B,43,8)  
 R 1803 (B,37,13)  
 R 1804 (B,39,14)  
 R 1950 (A,44,18)  
 R 1951 (A,42,18)

RS1/16SS104J  
 RS1/16SS821J  
 RS1/16SS821J  
 RS1/10SR24R0F  
 RS1/10SR24R0F

R 1485 (A,55,22) RAB4CQ560J  
 R 1486 (A,55,28) RAB4CQ560J  
 R 1487 (A,56,37) RAB4CQ560J  
 R 1488 (A,55,40) RAB4CQ560J  
 R 1489 (A,54,30) RS1/16SS560J

R 1952 (A,26,50)  
 R 1953 (A,26,51)  
 R 1954 (A,48,5)  
 R 1955 (A,50,5)  
 R 1982 (A,10,62)

RS1/16SS105J  
 RS1/16SS821J  
 RS1/16SS153J  
 RS1/16SS153J  
 RS1/16SS822J

R 1490 (A,72,21) RS1/16SS560J  
 R 1501 (B,48,21) RS1/16SS122J  
 R 1503 (B,46,21) RS1/16SS105J  
 R 1504 (A,50,17) RS1/16SS121J  
 R 1505 (B,45,15) RS1/16SS101J

R 1983 (B,40,20)  
 R 1987 (B,43,21)

RS1/16SS1000D  
 RS1/16SS0R0J

R 1506 (B,45,14) RS1/16SS101J  
 R 1507 (B,43,17) RS1/16SS101J

**CAPACITORS**

C 1001 (B,34,10)  
 C 1002 (B,12,17)

CKSRYB105K10  
 CKSSYB104K16

1

2

3

4

5		6		7		8	
<u>Circuit Symbol and No.</u>		<u>Part No.</u>		<u>Circuit Symbol and No.</u>		<u>Part No.</u>	
C 1003	(B,15,19)	CKSSYB104K16		C 1519	(A,34,47)	CKSSYB104K10	
C 1004	(B,15,17) 4.7 uF	CCG1201		C 1520	(A,27,47)	CKSSYB104K10	
C 1005	(B,40,11)	CKSRYB105K16		C 1521	(A,24,34)	CKSSYB104K10	
C 1010	(B,60,23)	CKSQYB225K10		C 1522	(A,25,38)	CKSSYB104K10	A
C 1011	(B,64,22)	CKSRYB105K10		C 1523	(A,20,46)	CKSSYB224K6R3	
C 1015	(A,25,7)	CKSSYB102K50		C 1524	(A,20,48)	CKSSYB473K16	
C 1016	(B,64,15)	CKSSYB102K50		C 1526	(A,24,37)	CKSSYB103K16	
C 1018	(B,14,21)	CKSSYB104K10		C 1528	(B,30,48)	CCSSCH471J50	
C 1040	(B,51,7)	CCSRCH821J50		C 1601	(A,32,19)	CKSSYB103K16	
C 1041	(B,19,11)	CCSRCH271J50		C 1602	(A,34,17)	CCSSCH101J50	
C 1101	(B,14,53) 10 uF	CCG1192		C 1603	(A,33,18)	CCSSCH101J50	
C 1104	(B,7,57)	CKSSYB104K10		C 1604	(A,30,17)	CCSSCH680J50	
C 1105	(B,18,54)	CKSSYB104K10		C 1605	(A,30,18)	CCSSCH680J50	
C 1106	(B,8,66)	CKSSYB103K16		C 1606	(A,35,19)	CKSSYB104K10	B
C 1107	(B,25,53)	CKSSYB103K16		C 1607	(A,20,24) 10 uF	CCG1192	
C 1108	(A,19,57)	CKSSYB103K16		C 1608	(A,28,18) 4.7 uF	CCG1201	
C 1109	(A,7,57)	CKSRYB224K16		C 1609	(A,26,22)	CKSSYB104K10	
C 1110	(A,17,58)	CKSSYB103K16		C 1612	(A,24,24)	CKSSYB104K10	
C 1111	(A,9,66)	CKSRYB224K16		C 1613	(A,24,25)	CKSSYB104K10	
C 1112	(B,17,52) 22 uF	DCH1256		C 1614	(A,22,24)	CKSSYB104K10	
C 1113	(B,8,58) 22 uF	DCH1256		C 1615	(A,23,26)	CKSSYB104K10	
C 1210	(B,77,34)	CKSSYB104K16		C 1616	(A,24,27)	CKSSYB104K10	
C 1251	(B,12,41)	CEVW101M16		C 1617	(B,27,28)	CKSSYB104K10	
C 1252	(B,7,41) 4.7 uF	CCG1222		C 1618	(A,22,29)	CCSSCH101J50	
C 1253	(B,7,39)	CKSSYB104K16		C 1619	(A,23,30)	CKSSYB562K25	C
C 1254	(A,6,38)	CKSSYB104K16		C 1620	(B,27,30)	CKSSYB224K6R3	
C 1255	(A,18,37)	CKSSYB104K16		C 1621	(A,22,31)	CKSSYB224K6R3	
C 1401	(B,34,27)	CKSSYB104K16		C 1622	(A,24,31)	CKSSYB333K16	
C 1403	(B,39,40)	CKSSYB104K10		C 1623	(A,27,20)	CKSRYB105K10	
C 1404	(B,40,40) 4.7 uF	CCG1201		C 1624	(A,24,32)	CKSSYB104K10	
C 1408	(B,57,27)	CKSSYB104K10		C 1625	(A,24,29)	CKSSYB104K10	
C 1409	(B,58,29) 4.7 uF	CCG1201		C 1671	(A,41,18)	CKSSYB104K10	
C 1410	(B,33,29)	CKSSYB104K16		C 1673	(A,37,19)	CKSSYB104K10	
C 1480	(A,71,19)	CKSSYB104K10		C 1674	(B,42,20)	CKSSYB104K10	
C 1481	(A,72,22)	CKSSYB104K10		C 1676	(B,38,21)	CKSRYB105K10	
C 1482	(A,72,26)	CKSSYB104K10		C 1801	(B,42,10) 4.7 uF	CCG1201	D
C 1484	(A,72,30)	CKSSYB104K10		C 1802	(B,46,10) 4.7 uF	CCG1201	
C 1485	(A,72,41)	CKSSYB104K10		C 1803	(B,42,12)	CCSRCH182J50	
C 1487	(A,57,29)	CKSSYB104K10		C 1804	(B,45,12)	CCSRCH182J50	
C 1488	(A,57,25)	CKSSYB104K10		C 1805	(B,34,13)	CKSSYB104K10	
C 1489	(A,64,17) 10 uF	CCG1192		C 1806	(B,32,13) 10 uF	CCG1192	
C 1490	(A,66,18)	CKSSYB102K50		C 1809	(B,39,16)	CKSSYB104K10	
C 1501	(B,61,20) 10 uF	CCG1192		C 1950	(A,27,51)	CKSSYB104K10	
C 1502	(B,54,20) 10 uF	CCG1192		C 1951	(A,23,54)	CCSSCH100D50	
C 1503	(A,54,33)	CKSSYB104K10		C 1952	(A,24,48)	CCSSCH100D50	
C 1504	(A,53,24)	CKSSYB104K10		C 1953	(B,60,17)	CKSRYB105K10	
C 1505	(A,53,27)	CKSSYB104K10		C 1954	(B,54,17)	CKSRYB105K10	E
C 1506	(B,52,35)	CKSSYB104K10		C 1955	(B,77,40)	CKSSYB104K16	
C 1507	(A,53,36)	CKSSYB104K10					
C 1508	(A,53,39)	CKSSYB104K10					
C 1509	(A,53,42)	CKSSYB104K10					
C 1510	(B,51,18)	CCSSCH100D50					
C 1511	(A,48,18)	CKSSYB104K10					
C 1512	(B,45,18)	CCSSCH100D50					
C 1513	(A,48,48)	CKSSYB104K10					
C 1514	(B,45,21)	CKSSYB104K10					
C 1515	(A,45,18)	CKSSYB104K10					
C 1516	(A,43,48)	CKSSYB104K10					
C 1517	(A,42,48)	CKSSYB104K10					
C 1518	(A,38,48)	CKSSYB104K10					

**D**  
**Unit Number : CXX6054**  
**Unit Name : Service Unit(Monitor)**

**MISCELLANEOUS**

IC 5101	(A,25,67) IC	R1290K103A
IC 5102	(A,71,40) Regulator IC	MM3479A33P
IC 5201	(A,110,69) IC	BD81A04EFV-M
IC 5301	(A,114,26) IC	AK4187VN

1

2

3

4

**Circuit Symbol and No.****Part No.****Circuit Symbol and No.****Part No.**

Q 5101 (A,30,61) Transistor  
 Q 5103 (A,13,28) Transistor  
 Q 5106 (A,24,76) Transistor  
 Q 5401 (A,101,42) Chip Transistor  
 Q 5402 (A,99,45) Transistor

LTC014EEB  
 LSAR523UB  
 2SA1577  
 HN1C01FU  
 LSCR523UB

R 5107 (A,21,70)  
 R 5108 (A,24,73)  
 R 5109 (A,30,63)  
 R 5110 (A,28,64)  
 R 5111 (A,28,63)

RS1/16SS0R0J  
 RS1/16SS103J  
 RS1/16SS1502D  
 RS1/16SS8201D  
 RS1/16SS1502D

D 5101 (A,17,71) Diode  
 D 5103 (A,32,75) Diode  
 D 5104 (A,34,75) Diode  
 D 5105 (A,34,67) Diode  
 D 5132 (A,72,49) Diode  
 D 5201 (A,111,56) Diode  
 L 5001 (A,9,46) Inductor

RB162M-40  
 RB548W  
 RB548W  
 RB548W  
 CRG03  
 RB060M-30  
 CTF1635

R 5112 (B,65,79)  
 R 5113 (A,18,70)  
 R 5116 (A,21,63)  
 R 5117 (A,21,62)  
 R 5122 (A,9,28)

RS1/16SS0R0J  
 RS1/10SR2R2J  
 RS1/16SS3001D  
 RS1/16SS1502D  
 RS1/16SS472J

L 5002 (A,9,52) Chip Inductor  
 L 5003 (A,21,44) Chip Inductor  
 L 5004 (A,14,36) Chip Ferrite Bead  
 L 5101 (A,21,73) Choke Coil 22 uH  
 L 5102 (A,8,32) Inductor

DTL1096  
 DTL1096  
 BTX1042  
 CTH1426  
 LCTAW101J2520

R 5124 (A,10,28)  
 R 5125 (A,13,30)  
 R 5126 (A,14,30)  
 R 5128 (A,15,35)  
 R 5129 (A,15,32)

RS1/16SS105J  
 RS1/16SS682J  
 RS1/16SS0R0J  
 RS1/16SS101J  
 RS1/16SS0R0J

L 5202 (A,106,58) Inductor  
 L 5205 (A,109,62) Chip Beads  
 L 5303 (A,112,18) Chip Beads(B)  
 TH5201 (A,104,15) Thermistor  
 CN5001 (A,34,32) Connector

CTH1526  
 VTL1128  
 VTL1134  
 CCX1058  
 CKS6536

R 5134 (A,16,62)  
 R 5135 (A,19,62)  
 R 5136 (A,18,62)  
 R 5140 (A,30,67)  
 R 5141 (A,30,66)

RS1/16SS0R0J  
 RS1/16SS1203D  
 RS1/16SS472J  
 RS1/16SS9102D  
 RS1/16SS1802D

CN5201 (A,127,56) Connector  
 CN5301 (A,121,17) Connector  
 CN5401 (A,58,69) Connector  
 CN5403 (A,140,17) Connector

CKS6523  
 CKS6548  
 CKS6536  
 CKS6604

R 5142 (A,31,69)  
 R 5143 (A,29,69)  
 R 5144 (B,23,68)  
 R 5202 (A,113,76)  
 R 5203 (A,114,76)

RS1/16SS1003D  
 RS1/16SS9101D  
 RS1/16SS0R0J  
 RS1/16SS273J  
 RS1/16SS511J

**RESISTORS**

R 5001 (A,60,18)  
 R 5002 (A,62,18)  
 R 5003 (A,61,20)  
 R 5004 (A,60,21)  
 R 5005 (A,61,22)  
 R 5006 (A,60,22)

RS1/16SS4R7J  
 RS1/16SS56R0D  
 RS1/16SS1800D  
 RS1/16SS2R2J  
 RS1/16SS47R0D  
 RS1/16SS0R0J

R 5205 (B,108,66)  
 R 5206 (B,108,67)  
 R 5207 (A,97,74)  
 R 5212 (B,106,65)  
 R 5213 (B,106,66)

RS1/16SS1503D  
 RS1/16SS1003D  
 RS1/16SS101J  
 RS1/16SS3603D  
 RS1/16SS2402D

R 5007 (A,61,23)  
 R 5008 (A,60,24)  
 R 5009 (A,61,25)  
 R 5010 (A,60,26)  
 R 5011 (A,61,27)

RS1/16SS39R0D  
 RS1/16SS4R7J  
 RS1/16SS1000D  
 RS1/16SS8R2J  
 RS1/16SS1300D

R 5219 (A,103,74)  
 R 5220 (A,103,73)  
 R 5222 (A,74,63)  
 R 5223 (A,132,71)  
 R 5225 (A,112,60)

RS1/16SS104J  
 RS1/16SS154J  
 RS1/10SR0R0J  
 RS1/10SR0R0J  
 RS1/8SQ2R2J

R 5012 (A,60,28)  
 R 5013 (A,61,29)  
 R 5014 (A,60,30)  
 R 5015 (A,61,31)  
 R 5016 (A,61,33)

RS1/16SS0R0J  
 RS1/16SS1000D  
 RS1/16SS8R2J  
 RS1/16SS39R0D  
 RS1/16SS4R7J

R 5301 (A,111,17) (A)  
 R 5302 (B,119,21)  
 R 5304 (A,109,27)  
 R 5305 (A,109,28)  
 R 5306 (A,119,25)

RS1/10SR0R0J  
 RS1/16SS201J  
 RS1/16SS472J  
 RS1/16SS472J  
 RS1/16SS0R0J

R 5017 (A,64,33)  
 R 5018 (A,66,33)  
 R 5019 (A,67,33)  
 R 5020 (A,69,33)  
 R 5021 (A,70,32)

RS1/16SS47R0D  
 RS1/16SS0R0J  
 RS1/16SS1800D  
 RS1/16SS2R2J  
 RS1/16SS33R0D

R 5307 (A,118,25)  
 R 5308 (A,118,27)  
 R 5309 (B,110,27)  
 R 5310 (B,117,25)  
 R 5311 (A,109,29)

RS1/16SS621J  
 RS1/16SS181J  
 RS1/16SS101J  
 RS1/16SS0R0J  
 RS1/16SS101J

R 5022 (A,70,30)  
 R 5023 (A,38,73)  
 R 5024 (B,30,35)  
 R 5026 (B,24,35)  
 R 5028 (B,25,33)

RS1/16SS2R4J  
 RS1/16SS0R0J  
 RS1/16SS473J  
 RS1/16SS473J  
 RS1/16SS473J

R 5312 (A,119,26)  
 R 5318 (B,111,24)  
 R 5401 (A,102,45)  
 R 5402 (A,103,45)  
 R 5405 (A,100,40)

RS1/16SS620J  
 RS1/16SS101J  
 RS1/16SS680J  
 RS1/16SS560J  
 RS1/16SS680J

R 5029 (B,26,35)  
 R 5101 (A,17,60)  
 R 5103 (A,24,61)  
 R 5104 (A,25,60)  
 R 5106 (A,27,63)

RS1/16SS473J  
 RS1/16SS103J  
 RS1/16SS203J  
 RS1/16SS104J  
 RS1/16SS472J

R 5406 (A,99,40)  
 R 5409 (A,97,44)  
 R 5410 (A,96,44)  
 R 5413 (A,99,42)  
 R 5414 (A,101,39)

RS1/16SS560J  
 RS1/16SS680J  
 RS1/16SS560J  
 RS1/16SS103J  
 RS1/16SS103J

R 5101 (A,17,60)  
 R 5103 (A,24,61)  
 R 5104 (A,25,60)  
 R 5106 (A,27,63)

RS1/16SS103J  
 RS1/16SS203J  
 RS1/16SS104J  
 RS1/16SS472J

R 5415 (A,96,46)  
 R 5416 (A,39,60)  
 R 5417 (A,40,61)  
 R 5418 (A,41,60)  
 R 5419 (A,42,61)

RS1/16SS103J  
 RS1/16SS0R0J  
 RS1/16SS0R0J  
 RS1/16SS0R0J  
 RS1/16SS0R0J

1

2

3

4

5		6		7		8	
<u>Circuit Symbol and No.</u>		<u>Part No.</u>		<u>Circuit Symbol and No.</u>		<u>Part No.</u>	
R 5420	(A,44,61)	RS1/16SS270J		C 5120	(A,33,72)	CKSQYB105K25	
R 5421	(A,44,58)	RS1/16SS0R0J		C 5121	(A,35,72)	CKSQYB105K25	
R 5422	(A,43,57)	RS1/16SS270J					
R 5423	(A,45,58)	RS1/16SS270J		C 5122	(A,32,67)	CKSRYB105K10	A
R 5424	(A,45,57)	RS1/16SS270J		C 5123	(A,35,66)	CKSRYB104K50	
				C 5124	(A,31,77)	CKSQYB474K25	
R 5425	(A,47,58)	RS1/16SS270J		C 5125	(A,34,77)	CKSQYB474K25	
R 5426	(A,47,56)	RS1/16SS270J		C 5127	(A,28,73)	CKSYB475K16	
R 5427	(A,48,58)	RS1/16SS270J					
R 5428	(A,48,56)	RS1/16SS270J		C 5128	(A,74,38)	CKSSYB104K10	
R 5429	(A,50,58)	RS1/16SS270J		C 5140	(A,31,70)	CKSSYB561K50	
				C 5203	(B,110,66) 2.2 uF	CCG1218	
R 5430	(A,50,56)	RS1/16SS270J		C 5204	(A,115,76)	CKSSYB104K10	
R 5431	(A,51,58)	RS1/16SS270J		C 5205	(A,101,62) 10 uF	CCG1236	
R 5432	(A,51,56)	RS1/16SS270J					
R 5433	(A,52,56)	RS1/16SS270J		C 5206	(A,114,77)	CKSSYB104K10	
R 5434	(A,53,58)	RS1/16SS270J		C 5208	(A,116,56) 10 uF	CCG1236	B
				C 5209	(A,104,17)	CKSSYB104K10	
R 5435	(A,54,56)	RS1/16SS270J		C 5211	(A,118,56) 10 uF	CCG1236	
R 5436	(A,55,58)	RS1/16SS270J		C 5212	(A,122,63)	CCSCH101J50	
R 5437	(A,55,56)	RS1/16SS270J					
R 5438	(A,56,58)	RS1/16SS270J		C 5213	(A,79,65)	CKSSYB104K16	
R 5439	(A,57,56)	RS1/16SS270J		C 5214	(A,116,74)	CKSSYB104K16	
				C 5215	(A,114,60)	CKSSYB332K50	
R 5440	(A,59,58)	RS1/16SS0R0J		C 5301	(A,113,21) 10 uF	CCG1192	
				C 5302	(A,108,24) 10 uF	CCG1192	

**CAPACITORS**

C 5009	(A,63,27)	CKSSYB102K50		C 5303	(A,114,23)	CKSSYB104K10	
C 5010	(A,63,28)	CKSSYB104K16		C 5304	(A,110,25)	CKSSYB104K10	
C 5011	(A,63,29)	CKSSYB102K50		C 5305	(B,123,25)	CKSSYB103K16	C
C 5012	(A,63,30)	CKSSYB104K16		C 5306	(B,116,25)	CKSSYB103K16	
				C 5307	(A,117,24)	CKSSYB103K16	
C 5021	(A,31,37)	CKSSYB102K50					
C 5023	(A,31,39)	CKSSYB104K16		C 5308	(B,121,21)	CKSSYB103K16	
C 5025	(A,15,47) 10 uF	CCG1236		C 5314	(A,106,23) (B)	CKSSYB104K10	
C 5026	(A,8,44)	CKSSYB102K50		C 5401	(A,68,64)	CKSSYB104K10	
C 5029	(A,28,38)	CKSSYB102K50					
C 5030	(A,28,39)	CKSSYB104K10					
C 5031	(A,9,50) 10 uF	CCG1192					
C 5034	(A,22,40)	CKSSYB104K16					
C 5035	(A,21,42) 4.7 uF	CCG1201					
C 5037	(A,17,43)	CKSQYB225K16					
C 5039	(A,20,38)	CKSRYB104K50					
C 5040	(A,17,37)	CKSQYB334K50					
C 5042	(A,16,33)	CKSSYB104K16					
C 5051	(A,39,73)	CKSSYB471K50					
C 5101	(A,20,78) 4.7 uF	CCG1201					
C 5102	(A,21,67)	CKSSYB102K50					
C 5103	(A,20,66) 1 uF	DCH1246					
C 5104	(A,21,60)	CKSSYB123K16					
C 5105	(A,23,60)	CKSSYB104K10					
C 5106	(A,28,60)	CKSRYB105K10					
C 5107	(A,24,62)	CKSSYB682K25					
C 5108	(A,17,68)	CKSSYB332K50					
C 5109	(A,32,63)	CCSCH101J50					
C 5110	(A,35,64)	CKSSYB122K50					
C 5111	(A,15,64) 10 uF	CCG1236					
C 5112	(A,15,67) 10 uF	CCG1236					
C 5113	(A,21,64)	CKSSYB471K50					
C 5114	(A,11,28)	CKSSYB104K16					
C 5115	(A,8,30) 10 uF	CCG1236					
C 5116	(A,69,44) 4.7 uF	CCG1201					
C 5117	(A,73,44) 4.7 uF	CCG1201					
C 5118	(A,60,63)	CKSSYB104K10					

**E**  
**Unit Number : CXX6058**  
**Unit Name : Service Unit(Keyboard)**

**MISCELLANEOUS**

D 3801	(A,151,6) LED	SMLVN6RGB2UK(B)	
D 3802	(A,15,6) LED	SMLVN6RGB2UK(B)	
S 3801	(A,24,6) Switch	VSG1020	
S 3802	(A,128,6) Switch	VSG1020	
S 3803	(A,114,6) Switch	VSG1020	
S 3804	(A,99,6) Switch	VSG1020	
S 3805	(A,83,6) Switch	VSG1020	
S 3806	(A,142,6) Switch	VSG1020	
S 3807	(A,67,6) Switch	VSG1020	E
S 3808	(A,52,6) Switch	VSG1020	
S 3809	(A,38,6) Switch	VSG1020	
S 3810	(A,9,6) Push Switch	CSG1155	
U 3801	(A,159,6) Remote Receiver Unit	RS-470	
CN3801	(B,22,6) Connector	CKS6291	

**RESISTORS**

R 3802	(A,153,8)	RS1/16SS470J	
R 3803	(A,29,7)	RS1/16SS182J	
R 3804	(A,123,8)	RS1/16SS222J	F
R 3805	(A,109,8)	RS1/16SS472J	
R 3806	(A,95,8)	RS1/16SS123J	
R 3807	(A,138,8)	RS1/16SS182J	

**Circuit Symbol and No.**

**Part No.**

R 3808 (A,62,7)  
R 3809 (A,47,8)

RS1/16SS222J  
RS1/16SS472J

A

**CAPACITORS**

C 3807 (A,154,8)

CKSSYB104K10

**F**

**Unit Number : EXX2001**

**Unit Name : PCB Unit(Service)**

B

**MISCELLANEOUS**

IC 101 Driver IC  
VR101 Volume 10 kohm  
S 101 Switch(HOME)  
S 102 Switch(HOME)  
CN101 Connector

BA6288FS  
CCW1029  
CSN1067  
CSN1068  
CKS4997

**RESISTORS**

R 101  
R 102  
R 103

RS1/16S221J  
RS1/16S221J  
RS1/16S0R0J

C

**CAPACITORS**

C 101  
C 102

CEVW220M16  
CKSRYB104K16

D

E

F