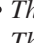

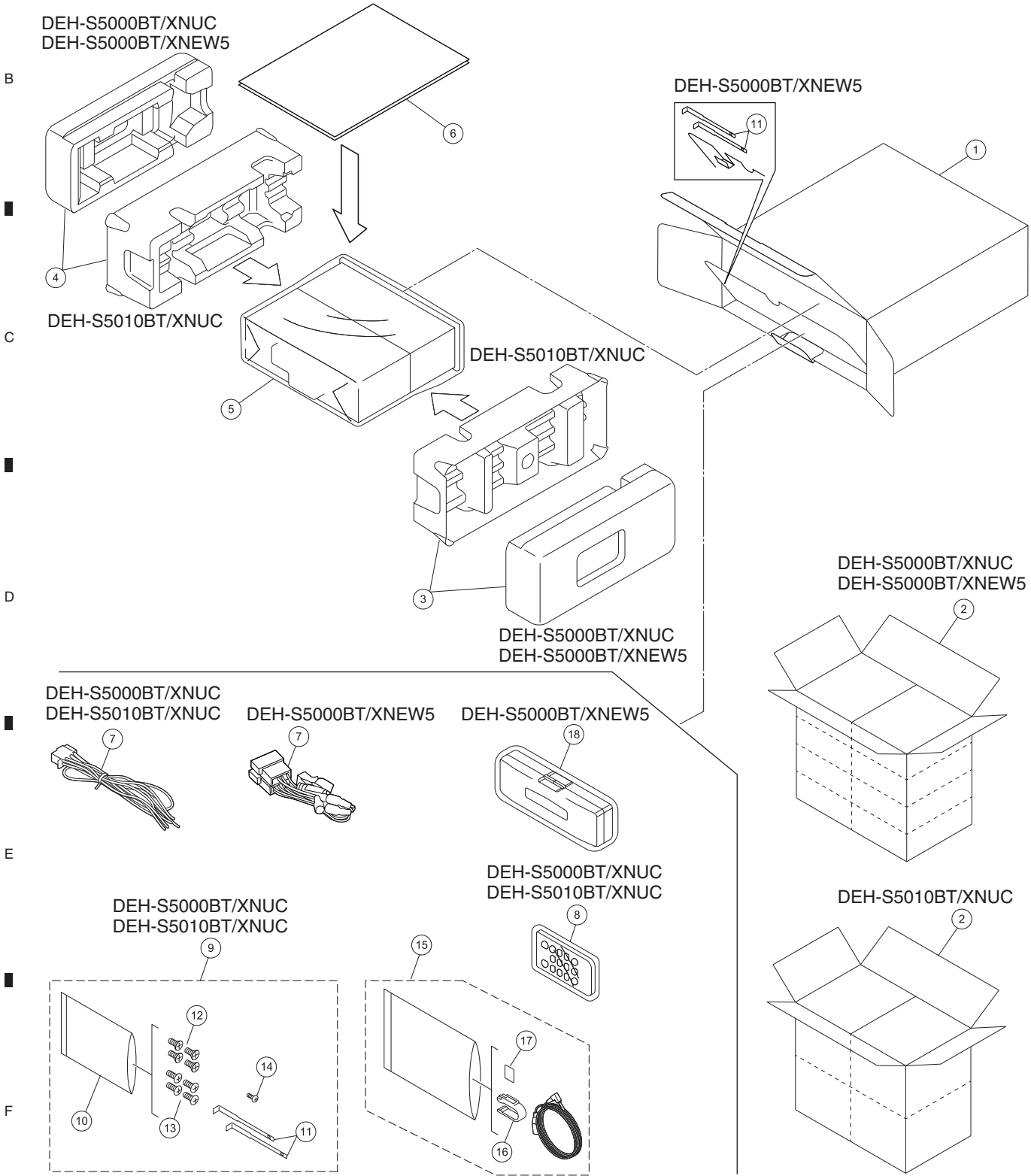


9. EXPLODED VIEWS AND PARTS LIST

- NOTES :**
- Parts marked by " * " are generally unavailable because they are not in our Master Spare Parts List.
 - The  mark found on some component parts indicates the importance of the safety factor of the part. Therefore, when replacing, be sure to use parts of identical designation.
 - Screw adjacent to  mark on the product are used for disassembly.
 - For the applying amount of lubricants or glue, follow the instructions in this manual. (In the case of no amount instructions, apply as you think it appropriate.)

9.1 PACKING SECTION



PACKING SECTION PARTS LIST

Mark	No.	Symbol and Description	DEH-S5000BT/XNUC	DEH-S5010BT/XNUC	DEH-S5000BT/XNEW5
	1	Unit Box	QHG4209	QHG4210	QHG4208
	2	Contain Box	QHL4209	QHL4210	QHL4208
	3	Protector	CHP4594	CHP4103	CHP4594
	4	Protector	CHP4594	CHP4104	CHP4594
	5	Polyethylene Bag	CEG1173	CEG1173	QEG3001
	6-1	Owner's Manual	Not used	Not used	QRB3727
	6-1	Quick Start Guide	QRD3527	QRD3527	QRD3525
*	6-2	Web IM	See Contents of Web IM	See Contents of Web IM	See Contents of Web IM
*	6-3	Warranty Card	QRY3001	QRY3001	CRY1376
	7	Cord Assy	CDP1484	CDP1484	QDP3072
	8	Card Remote Control Unit	CXE9605	CXE9605	Not used
	9	Accessory Assy	QEA3337	QEA3337	Not used
*	10	Polyethylene Bag	CEG1160	CEG1160	Not used
	11	Handle	QNC3021	QNC3021	QNC3021
	12	Screw	CBA2383	CBA2383	Not used
	13	Screw	CBA2384	CBA2384	Not used
	14	Screw	BPZ20P060FTC	BPZ20P060FTC	Not used
	15	Microphone Assy	CPM1111	CPM1111	CPM1111
	16	Holder	CZN7192	CZN7192	CZN7192
	17	Holder	CZN7193	CZN7193	CZN7193
	18	Case Assy	Not used	Not used	QXA3129

Owner's Manual, Installation Manual

Part No.	Language
QRB3727	Russian
QRD3525	English, French, Italian, Spanish(Espanol), German, Dutch
QRD3527	English, French, Spanish(Espanol)

CONTENTS OF WEB IM

Part No.	Language
*QRI3021 (for XNEW5)	English, French, Italian, Spanish(Espanol), German, Dutch
*QRI3023 (for XNUC)	English, French, Spanish(Espanol)

All operation manuals are supplied in PDF files by the WEB. No printed papers are available.

9.2 EXTERIOR SECTION

1

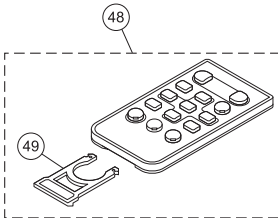
2

3

4

A

DEH-S5000BT/XNUC
DEH-S5010BT/XNUC



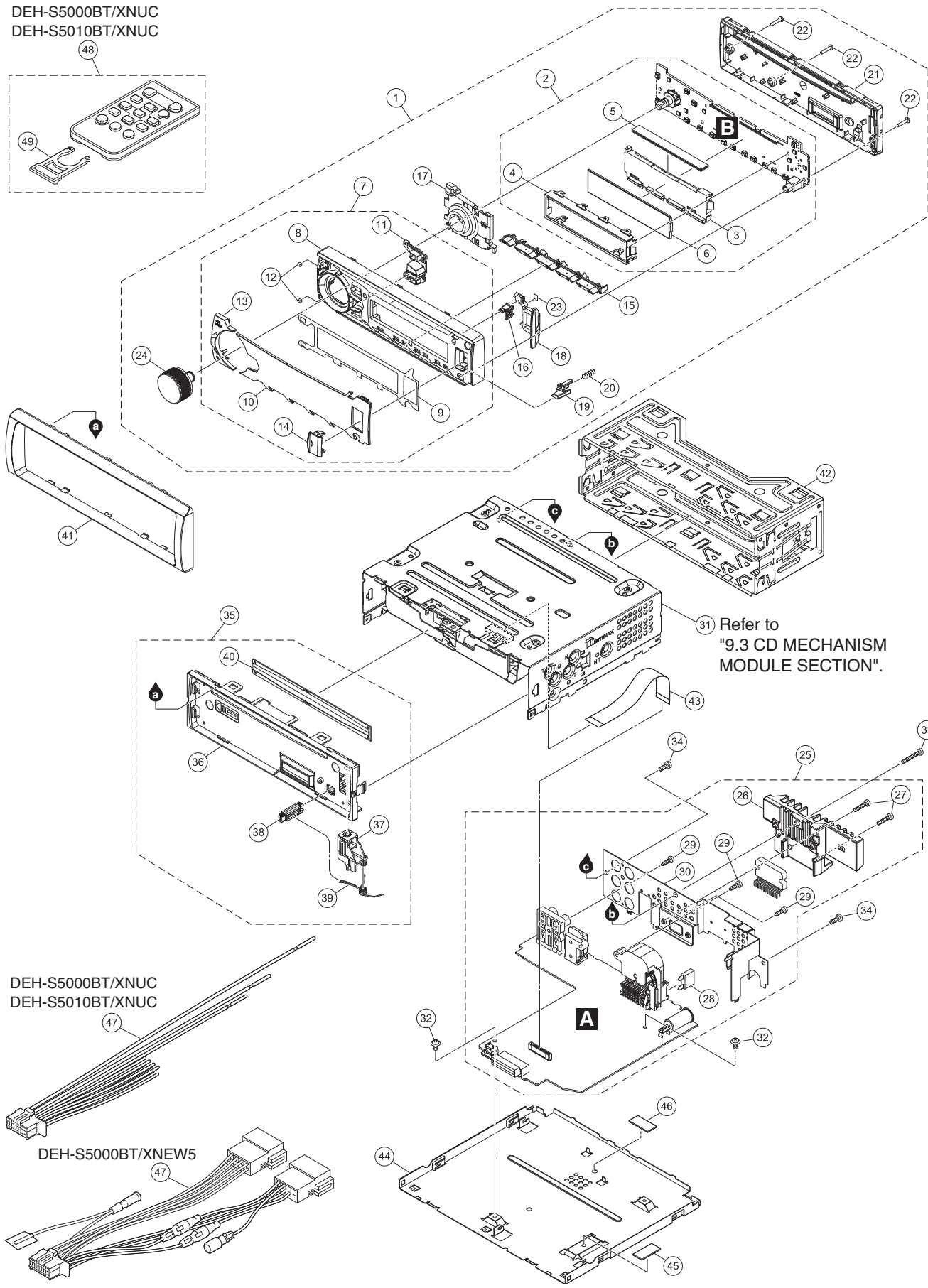
B

C

D

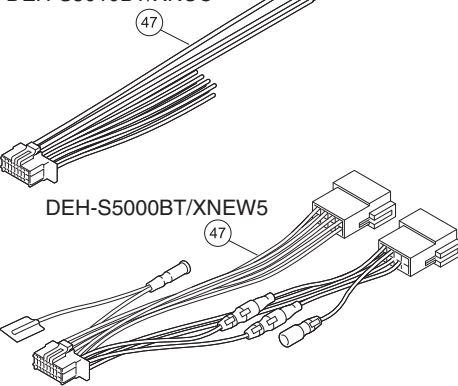
E

F



Refer to "9.3 CD MECHANISM MODULE SECTION".

DEH-S5000BT/XNUC
DEH-S5010BT/XNUC



1

2

3

4

(1) EXTERIOR SECTION PARTS LIST

<u>Mark No.</u>	<u>Description</u>	<u>Part No.</u>	<u>Mark No.</u>	<u>Description</u>	<u>Part No.</u>	
1	Detach Grille Assy	See Contrast table (2)	26	Heat Sink	QNR3010	
2	Keyboard Unit	See Contrast table (2)	27	Screw	BSZ26P120FTC	
3	Lighting Conductor	QNV3140	△ 28	Fuse (10 A)	YEK5001	
4	Holder	QNC3131	29	Screw	BPZ26P080FTC	
5	Rubber Connector	QNV3129	30	Holder	QNC3113	
6	Segment LCD(V1801)	CAW2063	31	CD Mechanism Module(11.6VA_T07)	CXK5808	
7	Grille Unit	See Contrast table (2)		CD Mechanism Module(S11.6_T07)	CXK5807	
*	8	Grille	See Contrast table (2)	32	Screw	ASZ26P050FTC
*	9	DS Tape	QNM3201	33	Screw	BSZ26P120FTC
*	10	Plate	QNS4162	34	Screw	BSZ26P060FTC
*	11	Button	See Contrast table (2)	35	Panel Assy	See Contrast table (2)
*	12	Cushion	QNM3207	36	Panel	QNS4071
*	13	Button(SRC)	See Contrast table (2)	37	Arm	QNV3025
*	14	Door	QAT3030	38	Button	QNV3026
	15	Button(TRACK, 1-6)	QAC3271	39	Spring	QBH3001
	16	Button(EJECT)	QAC3272	40	Cover	QNM3029
	17	Lighting Conductor	QNV3139	41	Panel	QNS3576
	18	Lighting Conductor	QNV3141	42	Holder	QNC3020
	19	Button(DETACH)	QAC3273	43	FFC	QDE3029
	20	Spring	CBH2210	44	Case	QNB3055
	21	Cover	QNS4163	45	Heat Cond Sheet	QNM3223
	22	Screw	BPZ20P100FTC	46	Heat Cond Sheet	QNM3130
	23	Sheet	QNM3220	47	Cord Assy	See Contrast table (2)
	24	Knob Unit	QXA5195	48	Card Remote Control Unit	See Contrast table (2)
	25	Tuner Amp Unit	See Contrast table (2)	49	Cover	See Contrast table (2)

Notes: For No.31, please refer to "1.4 NOTES ON REPLACING PARTS" for part distinguishing.

(2) CONTRAST TABLE

DEH-S5000BT/XNUC, DEH-S5010BT/XNUC and DEH-S5000BT/XNEW5 are constructed the same except for the following:

Mark	No.	Symbol and Description	DEH-S5000BT/XNUC	DEH-S5010BT/XNUC	DEH-S5000BT/XNEW5
	1	Detach Grille Assy	QXA5259	QXA5260	QXA5288
	2	Keyboard Unit	QWM4638	QWM4638	QWM4637
	7	Grille Unit	QXA5169	QXA5170	QXA5168
*	8	Grille	QNS4161	QNS4161	QNS4177
*	11	Button	QAC3268(BASS)	QAC3268(BASS)	QAC3286(PHONE)
*	13	Button	QAC3287	QAC3287	QAC3267
	25	Tuner Amp Unit	QWM4584	QWM4684	QWM4583
	35	Panel Assy	QXA4716	QXA5292	QXA4716
	47	Cord Assy	CDP1484	CDP1484	QDP3072
	48	Card Remote Control Unit	CXE9605	CXE9605	Not used
	49	Cover	CNU3681	CNU3681	Not used

9.3 CD MECHANISM MODULE

A

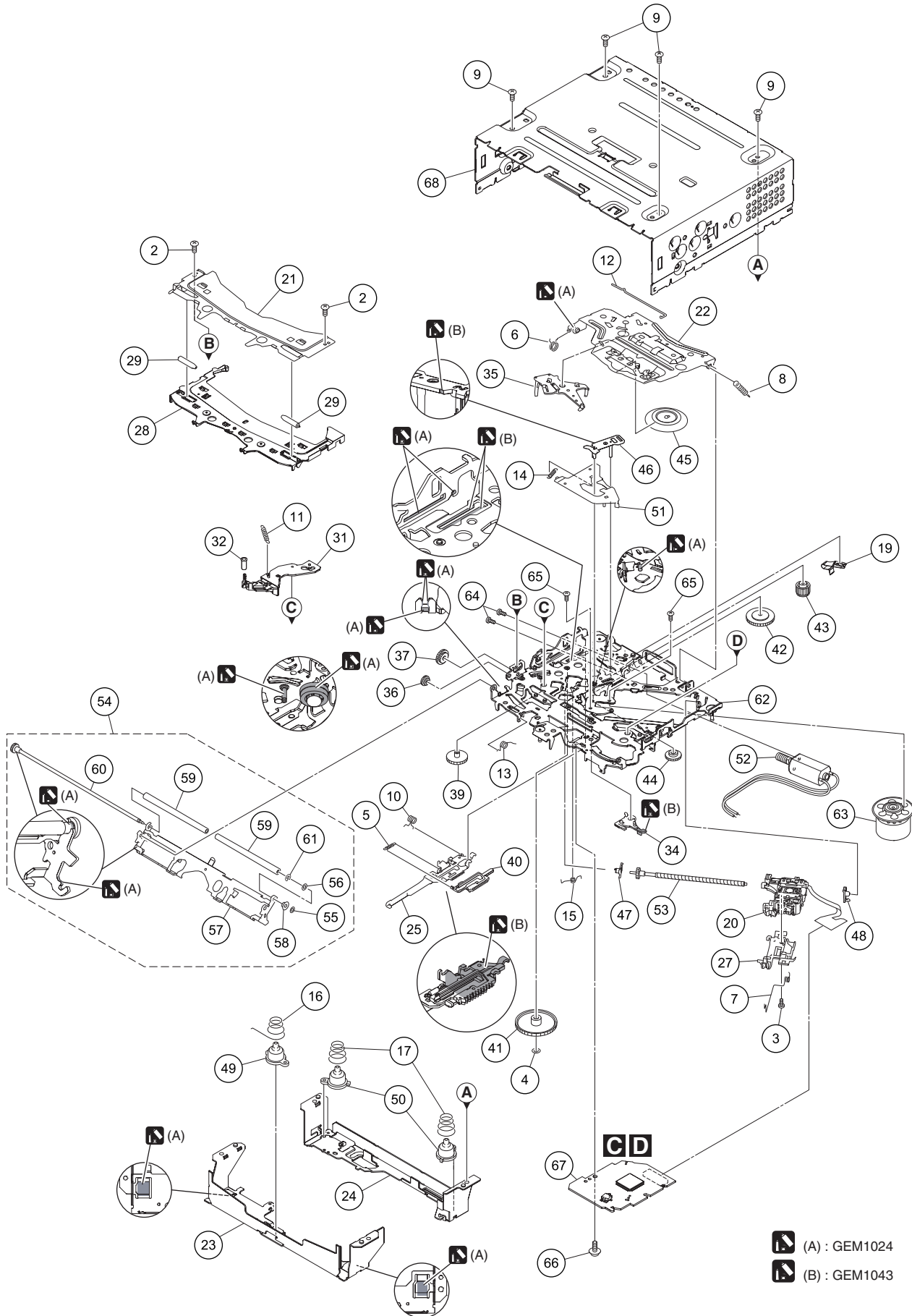
B

C

D

E

F



(A) : GEM1024
 (B) : GEM1043

CD MECHANISM MODULE SECTION PARTS LIST

<u>Mark No.</u>	<u>Description</u>	<u>Part No.</u>	<u>Mark No.</u>	<u>Description</u>	<u>Part No.</u>
1	•••••		36	Gear	CNW1180
2	Screw	BSZ20P040FTC	37	Gear	CNW1181
3	Screw(M2 x 4)	CBA1835	38	•••••	
4	Washer	CBF1038	39	Gear	CNW1183
5	Spring	CBH3010	40	Rack	CNW1184
6	Spring	CBH2855	41	Gear	CNW1185
7	Spring	CBH2856	42	Gear	CNW1186
8	•••••		43	Gear	CNW1187
9	Screw	BSZ26P060FTC	44	Gear	CNW2287
10	Spring	CBH3011	45	Clamper	CNW1190
11	Coil Spring	CBH3095	46	Arm	CNW1192
12	Spring	CBH3014	47	Holder	CNW1193
13	Spring	CBH3145	48	Holder	CNW1194
14	Spring	CBH3016	49	Damper	CNW1197
15	Spring	CBH3017	50	Damper	CNW1198
16	Spring	CBH3086	51	Arm	CNW1726
17	Spring	CBH3019	52	Motor Unit(M2)(LOAD/CRG)	CXC4026
18	•••••		53	Screw Unit	CXC8894
19	Leaf Spring	CBL1824	54	Arm Assy	CXE8953
20	Pickup Unit(P11)(Service) for CXK5808 CXX4754 Pickup Unit(P10.6)(Service) for CXK5807 CXX3556		55	Washer	CBF1037
21	Bracket	CND4553	56	Washer	CBF1038
22	Arm	CND7608	57	Arm	CND6242
23	Bracket	CND6127	58	Collar	CNW2444
24	Bracket	CND5710	59	Roller	CNW2500
25	Lever	CND6834	60	Gear Unit	CXE8952
26	•••••		61	Washer	YE15FTC
27	Rack	CNV8342	62	Chassis Unit	CXE9531
28	Guide	CNW3489	63	Motor Unit(M1)(SPDL)	CXE2273
29	Roller	CNW1172	64	Screw	JFZ20P025FTC
30	•••••		65	Screw	JGZ17P022FTC
31	Arm	CNW2241	66	Screw	EBA1028
32	Roller	CNW1175	67	CD Core Unit (S11.6VA)(for CXK5808) CWX4269 CD Core Unit (S11.6STD)(for CXK5807) CWX4023	
33	•••••		68	Chassis	CNA3373
34	Arm	CNW1177			
35	Arm	CNW1178			

Notes: For No.20 and 67, please refer to "1.4 NOTES ON REPLACING PARTS" for part distinguish.

<u>Circuit Symbol and No.</u>			<u>Part No.</u>	<u>Circuit Symbol and No.</u>			<u>Part No.</u>
L 101	Choke Coil		CTH1620	RESISTORS			
L 201	SMD SPL Inductor		CTH1521	R 111		RS1/16SS223J	
L 202	SMD SPL Inductor		CTH1524	R 112		RS1/16SS473J	A
L 203	Chip Beads		VTL1133	R 113		RS1/16SS682J	
L 441	Inductor		CTF1736	R 114		RS1/4SA102J	
L 501	Chip Beads		VTL1133	R 121		RS1/16SS103J	
L 502	Inductor		CTF1645	R 123		RS1/4SA102J	
L 511	Chip Beads		VTL1133	R 141		RS1/16SS104J	
L 513	Chip Beads		VTL1133	R 142		RS1/16SS473J	
L 514	Chip Beads		VTL1126	R 143		RS1/16SS103J	
L 515	Chip Beads		VTL1133	R 144		RS1/16SS472J	
L 516	Chip Beads		VTL1133	R 145		RS1/16SS0R0J	
L 517	Chip Beads		VTL1133	R 201		RS1/16SS102J	
L 518	Chip Beads		VTL1133	R 202		RS1/16SS3303D	B
L 519	Chip Beads		VTL1133	R 203		RS1/10SR0R0J	
L 520	Chip Beads		VTL1133	R 204		RS1/10SR0R0J	
L 711	Chip Beads		VTL1133	R 206		RS1/16SS472J	
L 731	Chip Beads		VTL1126	R 207		RS1/16SS103J	
L 741	Chip Beads		VTL1133	R 208		RS1/16SS473J	
L 742	Chip Beads		VTL1126	R 209		RS1/10SR472J	
L 854	Inductor		LCMAR27J1608	R 210		RS1/16SS103J	
L 855	Inductor		CTF1786	R 211		RS1/10SR472J	
L 856	Inductor		CTF1389	R 212		RS1/16SS103J	
L 860	Inductor		LCYC150K1608	R 213		RS1/16SS132J	
L 1001	Inductor		CTF1786	R 214		RS1/16SS102J	C
L 1101	Inductor		CTF1389	R 215		RS1/16SS2403D	
L 1102	Chip Beads		VTL1133	R 216		RS1/16SS7502D	
L 1103	Chip Beads		VTL1133	R 217		RS1/16SS4303D	
L 1104	Chip Beads		VTL1133	R 218		RS1/16SS4303D	
L 1201	Inductor		CTF1713	R 219		RS1/16SS273J	
L 1231	Chip Beads		VTL1133	R 220		RS1/16SS474J	
L 1232	Chip Beads		VTL1133	R 221		RS1/16SS473J	
L 1276	Chip Beads		VTL1126	R 222		RS1/16SS6802D	
L 1277	Chip Beads		VTL1126	R 223	20 mohm	CCN1401	
L 1292	Chip Beads		VTL1126	R 224		RS1/16SS6802D	
L 1293	Chip Beads		VTL1126	R 225		RS1/16SS102J	D
L 1294	Chip Beads		VTL1126	R 226		RS1/16SS1203D	
L 1295	Chip Beads		VTL1126	R 227		RS1/16SS1802D	
L 1296	Chip Beads		VTL1126	R 229		RS1/16SS3902D	
L 1297	Chip Beads		VTL1126	R 230		RS1/16SS682J	
T 851	Variable Coil		CTC1215	R 231		RS1/16SS4703D	
X 501	Resonator 24 MHz		CSS1773	R 232		RS1/16SS1503D	
X 502	Resonator 32.768 kHz		CSS1807	R 233		RS1/16SS1003D	
X 851	Crystal Resonator		CSS1868	R 234		RS1/16SS7503D	
S 501	Switch(RESET)		CSG1020	R 235		RS1/16SS1603D	
P 852	Surge Absorber		IMSA-6803-01Y900	R 236		RS1/16SS103J	E
P 1243	Poly Switch		FSMD075-24R	R 238		RS1/16SS103J	
P 1276	Poly Switch		FSMD075-24R	R 239		RS1/16SS101J	
VA1101	SMD Varistor		MLV0402ES012V0010N	R 240		RS1/16SS101J	
VA1201	SMD Varistor		MLV0402ES012V0010N	R 241		RS1/16SS680J	
VA1202	SMD Varistor		MLV0402ES012V0010N	R 242		RS1/16SS4701D	
U 1001	BT Module		CWX4751	R 243		RS1/16SS393J	
CN1101	Connector		VKN1192	R 244		RS1/16SS103J	
CN1201	Connector		CKS6452	R 248		RS1/16SS473J	
JA101	Plug		CKM1624	R 250		RS1/10SR471J	
JA851	Antenna Jack		CKX1104	R 263		RS1/10SR103J	
JA1241	Jack		CKB1113	R 269		RS1/16SS101J	F
JA1276	Jack		CKN1103	R 301		RS1/10SR0R0J	
				R 441		RS1/16SS103J	
				R 442		RS1/10SR221J	

	<u>Circuit Symbol and No.</u>	<u>Part No.</u>	<u>Circuit Symbol and No.</u>	<u>Part No.</u>
	R 503	RS1/16SS100J	R 572	RS1/16SS472J
			R 573	RS1/16SS473J
A	R 504	RS1/16SS100J		
	R 505	RS1/16SS221J	R 574	RS1/16SS473J
	R 506	RS1/16SS473J	R 575	RS1/16SS473J
	R 507	RS1/16SS473J	R 578	RS1/16SS473J
	R 508	RS1/16SS473J	R 579	RS1/16SS473J
			R 580	RS1/16SS473J
	R 509	RS1/16SS473J		
	R 510	RS1/16SS473J	R 581	RS1/16SS0R0J
	R 511	RS1/16SS473J	R 583	RS1/16SS0R0J
	R 512	RS1/16SS0R0J	R 584	RS1/16SS102J
	R 513	RS1/16SS222J	R 585	RS1/16SS0R0J
			R 586	RS1/16SS103J
	R 514	RS1/16SS101J		
B	R 515	RS1/16SS103J	R 587	RS1/16SS0R0J
	R 516	RS1/16SS101J	R 588	RS1/16SS221J
	R 517	RS1/16SS103J	R 589	RS1/16SS0R0J
	R 518	RS1/16SS472J	R 590	RS1/16SS221J
			R 591	RS1/16SS361J
	R 519	RS1/16SS271J		
	R 521	RS1/16SS473J	R 597	RS1/16SS102J
	R 522	RS1/16SS0R0J	R 598	RS1/16SS102J
	R 524	RS1/16SS3001D	R 599	RS1/16SS102J
	R 525	RS1/16SS103J	R 603	RS1/16SS101J
			R 604	RS1/16SS101J
	R 526	RS1/16SS1213F		
	R 530	RS1/16SS472J	R 605	RS1/16SS101J
C	R 531	RS1/16SS222J	R 611	RS1/16SS472J
	R 532	RS1/16SS222J	R 614	RS1/16SS473J
	R 533	RS1/10SR103J	R 615	RS1/16SS103J
			R 617	RS1/16SS473J
	R 534	RS1/10SR103J		
	R 535	RS1/10SR0R0J	R 627	RS1/16SS153J
	R 536	RS1/16SS472J	R 628	RS1/16SS153J
	R 538 (A)	RS1/16SS472J	R 629	RS1/16SS472J
	R 539 (B)	RS1/16SS473J	R 630	RS1/16SS101J
			R 631	RS1/16SS0R0J
	R 540	RS1/16SS103J		
	R 541	RS1/16SS103J	R 632	RS1/16SS101J
	R 542	RS1/10SR0R0J	R 633	RS1/16SS101J
D	R 543	RS1/10SR0R0J	R 634	RS1/16SS101J
	R 544	RS1/16SS102J	R 635	RS1/16SS101J
			R 636	RS1/16SS101J
	R 545	RS1/16SS473J		
	R 546	RS1/16SS273J	R 637	RS1/16SS221J
	R 547	RS1/16SS473J	R 638	RS1/16SS221J
	R 548	RS1/16SS102J	R 639	RS1/16SS101J
	R 550	RS1/16SS103J	R 640	RS1/16SS101J
			R 642	RS1/16SS221J
	R 551	RS1/16SS103J		
	R 552	RS1/16SS102J	R 643	RS1/16SS101J
	R 554	RS1/16SS222J	R 644	RS1/16SS473J
	R 555	RS1/16SS135J	R 645	RS1/16SS101J
E	R 556	RS1/16SS101J	R 646	RS1/16SS101J
			R 647	RS1/16SS102J
	R 557	RS1/16SS101J		
	R 558	RS1/16SS222J	R 648	RS1/16SS102J
	R 559	RS1/16SS222J	R 650	RS1/16SS101J
	R 560	RS1/16SS473J	R 651	RS1/16SS102J
	R 561	RS1/16SS103J	R 652	RS1/16SS101J
			R 653	RS1/16SS0R0J
	R 562	RS1/16SS472J		
	R 563	RS1/16SS472J	R 657	RS1/16SS101J
	R 564	RS1/16SS472J	R 658	RS1/16SS101J
	R 566	RAB4CQ103J	R 659	RS1/16SS101J
	R 567	RS1/16SS472J	R 660	RS1/16SS101J
F			R 661	RS1/16SS101J
	R 568	RS1/16SS0R0J		
	R 570	RS1/16SS221J	R 663	RS1/16SS101J
	R 571	RS1/16SS221J	R 664	RS1/16SS101J

<u>Circuit Symbol and No.</u>	<u>Part No.</u>	<u>Circuit Symbol and No.</u>	<u>Part No.</u>
R 672	RS1/16SS101J	R 873	RS1/16SS182J
R 690	RS1/16SS472J	R 874	RS1/16SS101J
R 701	RS1/16SS103J	R 875	RS1/16SS472J
		R 890	RS1/16SS0R0J
R 702	RS1/16SS472J		
R 703	RS1/16SS101J	R 1001	RS1/16SS0R0J
R 704	RS1/16SS101J	R 1002	RS1/16SS221J
R 705	RS1/16SS222J	R 1004	RS1/16SS473J
R 706	RS1/16SS222J	R 1005	RS1/16SS221J
		R 1006	RS1/16SS0R0J
R 707	RS1/16SS472J		
R 708	RS1/16SS272J	R 1007	RS1/16SS0R0J
R 709	RS1/16SS473J	R 1011	RS1/16SS221J
R 710	RS1/16SS0R0J	R 1012	RS1/16SS221J
R 714	RAB4CQ121J	R 1013	RS1/16SS0R0J
		R 1017	RS1/16SS473J
R 715	RAB4CQ121J		
R 716	RAB4CQ121J	R 1018	RS1/16SS473J
R 717	RAB4CQ121J	R 1101	RS1/16SS104J
R 718	RAB4CQ121J	R 1104	RS1/16SS472J
R 719	RAB4CQ121J	R 1105	RS1/16SS221J
		R 1106	RS1/16SS221J
R 720	RAB4CQ121J		
R 721	RAB4CQ121J	R 1107	RS1/16SS101J
R 722	RAB4CQ121J	R 1108	RS1/16SS221J
R 723	RS1/10SR0R0J	R 1109	RS1/16SS101J
R 724	RS1/16SS121J	R 1110	RS1/16SS102J
		R 1112	RS1/16SS221J
R 731	RS1/16SS330J		
R 732	RS1/16SS330J	R 1114	RS1/16SS473J
R 733	RS1/16SS103J	R 1115	RS1/16SS472J
R 734	RS1/16SS103J	R 1116	RS1/16SS472J
R 735	RS1/16SS103J	R 1117	RS1/16SS472J
		R 1119	RS1/16SS473J
R 736	RS1/16SS330J		
R 737	RS1/16SS330J	R 1120	RS1/16SS151J
R 741	RS1/16SS330J	R 1121	RS1/16SS151J
R 742	RS1/16SS103J	R 1122	RS1/16SS151J
R 743	RS1/16SS103J	R 1201	RS1/10SR222J
		R 1203	RS1/16SS223J
R 744	RS1/16SS330J		
R 745	RS1/16SS330J	R 1204	RS1/16SS223J
R 746	RS1/16SS103J	R 1205	RS1/10SR222J
R 747	RS1/16SS330J	R 1206	RS1/10SR221J
R 748	RS1/16SS330J	R 1207	RS1/10SR221J
		R 1208	RS1/10SR0R0J
R 749	RS1/16SS330J		
R 750	RS1/16SS103J	R 1209	RS1/10SR222J
R 751	RS1/16SS103J	R 1210	RS1/10SR222J
R 753	RS1/16SS103J	R 1211	RS1/10SR222J
R 754	RS1/16SS330J	R 1212	RS1/10SR222J
		R 1213	RS1/16SS123J
R 761	RS1/10SR221J		
R 763	RS1/16SS101J	R 1214	RS1/10SR222J
R 764	RS1/16SS101J	R 1215	RS1/10SR101J
R 766	RS1/16SS0R0J	R 1241	RS1/16SS821J
R 767	RS1/16SS104J	R 1242	RS1/16SS821J
		R 1243	RS1/16SS821J
R 768	RS1/16SS181J		
R 769	RS1/8SQ0R0J	R 1244	RS1/16SS821J
R 770	RS1/10SR0R0J	R 1245	RS1/16SS821J
R 851	RS1/16SS105J	R 1246	RS1/16SS821J
R 852	RS1/16SS105J	R 1247	RS1/16SS223J
		R 1248	RS1/16SS223J
R 853	RS1/16SS391J		
R 864	RS1/16SS103J	R 1249	RS1/16SS223J
R 868	RS1/16SS103J	R 1250	RS1/16SS223J
R 870	RS1/16SS101J	R 1251	RS1/16SS223J
R 871	RS1/16SS0R0J	R 1252	RS1/16SS223J
		R 1253	RS1/16SS0R0J
R 872	RS1/16SS0R0J		

Circuit Symbol and No.**Part No.****Circuit Symbol and No.****Part No.**

R 1255	RS1/16SS0R0J	C 223	CCSSCH221J50
R 1278	RS1/16SS102J		
R 1280	RS1/16SS102J	C 224	CKSRYB105K10
R 1281	RS1/16SS101J	C 225	CKSRYB105K10
R 1282	RS1/16SS101J	C 227	CCSSCH221J50
		C 228	CCSSCH102J50
R 1284	RS1/16SS0R0J	C 230	CKSQYX106K10
R 1285	RS1/16SS0R0J		
R 1301	RS1/16SS123J	C 231	CKSRYB104K16
R 1302	RS1/16SS103J	C 232	CEHVW101M6R3
R 1303	RS1/16SS221J	C 234	CKSRYX475K6R3
		C 236	CKSYX106K35
		C 237	CKSRYB104K16
R 1304	RS1/16SS0R0J		
R 1306	RS1/16SS103J		
R 1307	RS1/16SS0R0J	C 238	CKSYX226M16
R 1310	RS1/8SQ0R0J	C 239	CCSSCH100D50
R 1311	RS1/8SQ0R0J	C 240	CCSSCH100D50
		C 241	CKSQYX106K10
R 1312	RS1/16SS103J	C 242	CKSRYB104K16
R 1313	RS1/16SS102J		
R 1314	RS1/8SQ0R0J	C 243	CKSYX106K35
R 1321	RS1/16SS0R0J	C 247	CKSRYB105K10
R 1322	RS1/16SS0R0J	C 248	CKSRYX105K50
		C 249	CCSSCH820J50
		C 250	CKSRYX225K10
R 1323	RS1/16SS0R0J		
R 1324	RS1/16SS0R0J		
R 1421	RS1/16SS0R0J	C 251	CKSRYB105K10
R 1422	RS1/16SS0R0J	C 252	CKSRYX475K6R3
R 1427	RS1/16SS0R0J	C 253	CKSRYX105K50
		C 255	CKSSYX105K10
		C 257	CKSYX106K35

CAPACITORS

C 101	2 200 uF/16 V	CCH1405	
C 102		CKSRYB103K50	C 259
C 103		CKSSYB102K50	C 260
C 104		CKSSYB102K50	C 261
C 105		CKSSYB102K50	C 270
			C 441
C 106		CKSSYB102K50	
C 107		CKSSYB102K50	C 442
C 108		CKSSYB102K50	C 443
C 109		CKSSYB102K50	C 444
C 110		CKSSYB102K50	C 502
			C 503
C 111		CKSRYX104K50	
C 121		CKSRYB104K16	C 505
C 122		CKSRYX105K50	C 506
C 201		CCSSCH681J50	C 507
C 202		CEVW221M16	C 508
			C 509
C 203		CKSRYX106M6R3	
C 204		CEVQW221M6R3	C 510
C 205		CKSRYX105K50	C 511
C 206		CKSYX106K35	C 512
C 207		CKSSYB104K10	C 513
			C 514
C 208		CCSSCH471J50	
C 209		CCSSCH681J50	C 515
C 210	2 200 uF/16 V	CCH1405	C 516
C 211		CKSQYX106K10	C 517
C 212		CEAT102M16	C 518
			C 519
C 213		CKSSYB222K50	
C 214		CKSRYX106M6R3	C 520
C 215		CKSRYB104K16	C 521
C 216		CKSRYX104K50	C 522
C 217		CCSRCH102J50	C 523
			C 524
C 218		CKSYX106K35	
C 220		CKSYX106K35	C 525
C 221		CKSYX106K35	C 526
C 222		CEVW221M16	C 527

<u>Circuit Symbol and No.</u>	<u>Part No.</u>	<u>Circuit Symbol and No.</u>	<u>Part No.</u>
C 528	CKSSYB103K16	C 761	CKSRYB105K10
C 529	CKSSYB104K10	C 762	CKSRYB105K10
		C 763	CKSRYB105K10
C 530	CKSRYX475K6R3		
C 531	CKSSYX105K10	C 769	CKSRYB105K10
C 532	CKSSYX105K10	C 770	CKSRYB105K10
C 533	CKSRYX475K6R3	C 771	CKSRYB105K10
C 534	CKSSYB104K10	C 772	CKSRYB105K10
		C 773	CKSRYB105K10
C 535	CEVW221M10		
C 536	CCSSCH101J50	C 774	CCSSCH151J50
C 537	CKSSYB103K16	C 775	CCSSCH151J50
C 538	CKSRYX106M6R3	C 776	CKSRYX104K50
C 539	CKSSYB103K16	C 777	CKSYX106K35
		C 778	CKSRYB105K10
C 540	CKSRYX106M6R3		
C 541	CKSSYB222K50	C 779	CKSQYX106K10
C 542	CKSSYB104K10	C 780	CKSSYB104K16
C 543	CKSSYX105K10	C 781	CKSRYB105K10
C 544	CKSSYB473K16	C 782	CKSRYB105K10
		C 783	CKSRYB105K10
C 545	CCSSCH100D50		
C 546	CCSSCH120J50	C 784	CKSRYB105K10
C 551	CKSSYB104K10	C 785	CKSRYB105K10
C 552	CKSRYX475K6R3	C 787	CKSQYX106K16
C 553	CKSQYX106K10	C 788	CKSQYX106K16
		C 790	CKSQYX106K10
C 555	CKSSYB103K16		
C 556	CKSSYB104K10	C 791	CKSRYB103K50
C 559	CKSQYB224K50	C 794	CCSRCH101J50
C 560	CKSSYB103K16	C 853	CCSSCH100D50
C 565	CCSRCH270J50	C 854	CCSSCH471J50
		C 856	CKSRYX104K50
C 566	CCSRCH330J50		
C 569	CCSSCH101J50	C 857	CKSRYX104K50
C 573	CCSRCH101J50	C 858	CCSSCH220J50
C 574	CCSSCH101J50	C 859	CCSSCH331J50
C 575	CKSSYB104K10	C 865	CKSRYX225K10
		C 866	CKSSYB224K6R3
C 576	CKSSYB102K50		
C 577	CCSSCH101J50	C 867	CKSSYB102K50
C 580	CKSRYB104K16	C 870	CCSSCH102J50
C 588	CKSSYB104K10	C 872	CKSSYB104K10
C 590	CKSSYB472K25	C 874	CCSSCH390J50
		C 875	CKSSYB104K10
C 591	CKSSYB472K25		
C 592	CKSSYB472K25	C 878	CKSSYB152K50
C 593	CKSSYB472K25	C 882	CKSSYX105K10
C 595	CKSSYB472K25	C 884	CKSSYB104K16
C 701	CKSSYB104K10	C 885	CCG1318
		C 890	CKSRYX106M6R3
C 702	CKSSYB104K10		
C 712	CKSSYX105K10	C 891	CKSRYX225K10
C 713	CKSSYB104K10	C 1003	CKSRYB104K16
C 714	CKSSYX105K10	C 1004	CKSRYB104K16
C 715	CKSSYX105K10	C 1101	CKSSYB103K16
		C 1105	CKSSYX105K10
C 716	CKSSYX105K10		
C 717	CKSRYX475K6R3	C 1106	CKSSYX105K10
C 718	CKSSYX105K10	C 1109	CCSSCH102J50
C 719	CKSSYB104K10	C 1201	CCSRCH102J50
C 721	CKSRYX105K16	C 1202	CKSRYX104K50
		C 1203	CKSRYB104K16
C 722	CKSSYB104K10		
C 723	CCSSCH102J50	C 1204	CKSRYB105K10
C 729	CKSQYX106K10	C 1205	CCSRCH221J50
C 731	CKSSYB104K10	C 1206	CCSRCH221J50
C 741	CKSRYX225K10	C 1207	CKSRYB474K10
		C 1210	CKSRYB105K10
C 742	CKSSYB104K10		
C 743	CKSSYB104K10	C 1212	CCSSCH470J50

Circuit Symbol and No.**Part No.****Circuit Symbol and No.****Part No.**

C 1217 CCSSCH121J50
 C 1221 CKSYX106K35
 C 1241 CKSQYX106K10
 C 1242 CKSQYX106K10

Q 121 Resistor Built-in Transistor
 Q 141 Bipolar Transistor
 Q 142 Bipolar Transistor
 Q 201 Bipolar Transistor
 Q 202 FET

LTC014EEB
 LSCR523UB
 LSCR523UB
 LSCR523UB
 SSM3J332R

C 1243 CKSQYX106K10
 C 1244 CKSQYX106K10
 C 1245 CKSQYX106K10
 C 1246 CKSQYX106K10
 C 1247 CCSSCH102J50

Q 203 Power MOS FET
 Q 204 Bipolar Transistor
 Q 205 FET
 Q 441 Transistor
 Q 442 Resistor Built-in Transistor

RRR040P03
 LSCR523UB
 SSM3J332R
 2SAR502UB
 LTC023YEB

C 1248 CCSSCH102J50
 C 1249 CCSSCH102J50
 C 1250 CCSSCH102J50
 C 1251 CCSSCH102J50
 C 1252 CCSSCH102J50

Q 701 Bipolar Transistor
 Q 1101 Resistor Built-in Transistor
 Q 1241 Transistor
 Q 1242 Transistor
 Q 1243 Transistor

LSAR523UB
 LTC014EEB
 IMH23
 IMH23
 IMH23

C 1253 CKSSYB103K16
 C 1254 CKSSYB104K10
 C 1255 CCSRCH331J50
 C 1256 CKSSYX105K10
 C 1276 CKSRYB104K16

Q 1301 Transistor
 Q 1302 Transistor
 Q 1401 Transistor
 Q 1402 Bipolar Transistor
 D 101 Diode

EMD52
 ISA1602AM1
 EMD52
 LSCR523UB
 D1F60-5053

C 1277 CKSRYB104K16
 C 1278 CKSRYB104K16
 C 1279 CKSRYB104K16
 C 1280 CKSSYB102K50
 C 1281 CKSSYB102K50

D 102 Diode
 D 111 Diode
 D 121 Rectifier Diode
 D 141 Diode
 D 201 Schottky Diode

D1F60-5053
 DZ2J075M0
 DA2J101
 DZ2J075M0
 RB162M-40

C 1301 CKSQYB474K25
 C 1302 CKSQYB474K25
 C 1303 CKSQYB474K25
 C 1304 CKSQYB474K25
 C 1305 CKSSYB104K10

D 202 Diode
 D 203 Diode
 D 204 Diode
 D 206 Schottky Diode
 D 207 Schottky Diode

RR264MM-400TF
 RB056L-40
 RR264MM-400TF
 CMS30I30A
 RB751SM-40

C 1306 CKSRYB474K10
 C 1308 CKSRYX104K50
 C 1310 CKSQYX106K16
 C 1311 CKSRYX225K10
 C 1312 CKSRYX104K50

D 208 Schottky Diode
 D 210 Schottky Diode
 D 501 Schottky Diode
 D 502 Schottky Diode
 D 506 Diode

RB751SM-40
 DB2J41100
 RB751SM-40
 RB751SM-40
 DZ2J036M0

C 1316 CKSRYX104K50
 C 1317 CKSRYX104K50
 C 1318 CKSRYX104K50
 C 1321 CKSRYX106M6R3

D 507 Diode
 D 1101 Diode
 D 1201 Diode
 D 1204 Diode
 D 1205 Diode

DZ2J036M0
 DZ2J180M0
 DZ2S068C
 DZ2J180M0
 DZ2J180M0

A**Unit Number: QWM4583(C)****Unit Name : Tuner Amp Unit****MISCELLANEOUS**

IC 201 Power supply IC BD49101ARFS
 IC 501 Microprocessor IC STA1080
 IC 502 IC S-80827CNMC-B8M
 IC 701 IC 337S3959
 IC 711 RAM IC M12L128168A-5TG2N
 IC 731 ROM IC M95512-RMN6P
 IC 741 Flash ROM Unit QVQ1022
 IC 742 IC MX25L1636EM2I-08G
 IC 761 E-VOL System LSI BD37067FV
 IC 851 Tuner IC TEF6686HN-V102

D 1206 Diode
 D 1207 Diode
 D 1208 Diode
 D 1209 Diode
 D 1210 Diode

DZ2S068C
 DZ2S068C
 DZ2S068C
 DZ2S068C
 DZ2S068C

IC 1301 Power Amp IC PAL014A
 IC 1302 Logic IC TC7SH32FUS2
 IC 1401 IC TC4066BFT
 IC 1402 Op-amp IC NJM8065RB1
 Q 111 Bipolar Transistor LSCR523UB

D 1301 Diode
 D 1302 Diode
 D 1303 Schottky Diode
 L 101 Choke Coil
 L 201 SMD SPL Inductor
 L 202 SMD SPL Inductor
 L 203 Chip Beads
 L 441 Inductor
 L 501 Chip Beads
 L 502 Inductor

RR264MM-400TF
 RR264MM-400TF
 RB751SM-40
 CTH1620
 CTH1521

IC 1301 Power Amp IC PAL014A
 IC 1302 Logic IC TC7SH32FUS2
 IC 1401 IC TC4066BFT
 IC 1402 Op-amp IC NJM8065RB1
 Q 111 Bipolar Transistor LSCR523UB

L 511 Chip Beads
 L 513 Chip Beads
 L 514 Chip Beads
 L 515 Chip Beads
 L 516 Chip Beads

CTH1524
 VTL1133
 CTF1736
 VTL1133
 CTF1645

<u>Circuit Symbol and No.</u>		<u>Part No.</u>	<u>Circuit Symbol and No.</u>	<u>Part No.</u>
L 517	Chip Beads	VTL1133	R 145	RS1/16SS0R0J
L 518	Chip Beads	VTL1133	R 201	RS1/16SS102J
L 519	Chip Beads	VTL1133	R 202	RS1/16SS3303D
L 520	Chip Beads	VTL1133	R 203	RS1/10SR0R0J
L 711	Chip Beads	VTL1133	R 204	RS1/10SR0R0J
L 731	Chip Beads	VTL1126	R 206	RS1/16SS472J
L 741	Chip Beads	VTL1133	R 207	RS1/16SS103J
L 742	Chip Beads	VTL1126	R 208	RS1/16SS473J
L 854	Inductor	LCMAR27J1608	R 209	RS1/10SR472J
L 855	Inductor	CTF1786	R 210	RS1/16SS103J
L 856	Inductor	CTF1389	R 211	RS1/10SR472J
L 860	Inductor	LCYC150K1608	R 212	RS1/16SS103J
L 1001	Inductor	CTF1786	R 213	RS1/16SS132J
L 1101	Inductor	CTF1389	R 214	RS1/16SS102J
L 1102	Chip Beads	VTL1133	R 215	RS1/16SS2403D
L 1103	Chip Beads	VTL1133	R 216	RS1/16SS7502D
L 1104	Chip Beads	VTL1133	R 217	RS1/16SS4303D
L 1201	Inductor	CTF1713	R 218	RS1/16SS4303D
L 1231	Chip Beads	VTL1133	R 219	RS1/16SS273J
L 1232	Chip Beads	VTL1133	R 220	RS1/16SS474J
L 1276	Chip Beads	VTL1126	R 221	RS1/16SS473J
L 1277	Chip Beads	VTL1126	R 222	RS1/16SS6802D
L 1292	Chip Beads	VTL1126	R 223	CCN1401
L 1293	Chip Beads	VTL1126	R 224	RS1/16SS6802D
L 1294	Chip Beads	VTL1126	R 225	RS1/16SS102J
L 1295	Chip Beads	VTL1126	R 226	RS1/16SS1203D
L 1296	Chip Beads	VTL1126	R 227	RS1/16SS1802D
L 1297	Chip Beads	VTL1126	R 229	RS1/16SS3902D
L 1401	Ferrite Bead	CTF1528	R 230	RS1/16SS682J
T 851	Variable Coil	CTC1215	R 231	RS1/16SS4703D
X 501	Resonator 24 MHz	CSS1773	R 232	RS1/16SS1503D
X 502	Resonator 32.768 kHz	CSS1807	R 233	RS1/16SS1003D
X 851	Crystal Resonator	CSS1868	R 234	RS1/16SS7503D
S 501	Switch(RESET)	CSG1020	R 235	RS1/16SS1603D
P 852	Surge Absorber	IMSA-6803-01Y900	R 236	RS1/16SS103J
P 1243	Poly Switch	FSMD075-24R	R 238	RS1/16SS103J
P 1276	Poly Switch	FSMD075-24R	R 239	RS1/16SS101J
VA1101	SMD Varistor	MLV0402ES012V0010N	R 240	RS1/16SS101J
VA1201	SMD Varistor	MLV0402ES012V0010N	R 241	RS1/16SS680J
VA1202	SMD Varistor	MLV0402ES012V0010N	R 242	RS1/16SS4701D
U 1001	BT Module	CWX4751	R 243	RS1/16SS393J
CN1101	Connector	VKN1192	R 244	RS1/16SS103J
CN1201	Connector	CKS6452	R 248	RS1/16SS473J
JA101	Plug	CKM1624	R 250	RS1/10SR471J
JA851	Antenna Jack	CKX1104	R 263	RS1/10SR103J
JA1241	Jack	CKB1113	R 269	RS1/16SS101J
JA1276	Jack	CKN1103	R 301	RS1/10SR0R0J
			R 441	RS1/16SS103J
			R 442	RS1/10SR221J
			R 503	RS1/16SS100J
			R 504	RS1/16SS100J
			R 505	RS1/16SS221J
			R 506	RS1/16SS473J
			R 507	RS1/16SS473J
			R 508	RS1/16SS473J
			R 509	RS1/16SS473J
			R 510	RS1/16SS473J
			R 511	RS1/16SS473J
			R 512	RS1/16SS0R0J
			R 513	RS1/16SS222J
R 111		RS1/16SS223J		
R 112		RS1/16SS473J		
R 113		RS1/16SS333J		
R 114		RS1/4SA122J		
R 121		RS1/16SS103J		
R 123		RS1/4SA102J		
R 141		RS1/16SS104J		
R 142		RS1/16SS473J		
R 143		RS1/16SS103J		
R 144		RS1/16SS472J		

RESISTORS

Circuit Symbol and No.Part No.Circuit Symbol and No.Part No.

	R 514	RS1/16SS101J	R 587	RS1/16SS0R0J
A	R 515	RS1/16SS103J	R 588	RS1/16SS221J
	R 516	RS1/16SS101J	R 589	RS1/16SS0R0J
	R 517	RS1/16SS103J	R 590	RS1/16SS221J
	R 518	RS1/16SS472J	R 591	RS1/16SS361J
			R 597	RS1/16SS102J
	R 519	RS1/16SS271J		
	R 521	RS1/16SS473J	R 598	RS1/16SS102J
	R 522	RS1/16SS0R0J	R 599	RS1/16SS102J
	R 524	RS1/16SS3001D	R 603	RS1/16SS101J
	R 525	RS1/16SS103J	R 604	RS1/16SS101J
			R 605	RS1/16SS101J
	R 526	RS1/16SS1213F		
	R 530	RS1/16SS472J	R 611	RS1/16SS472J
B	R 531	RS1/16SS222J	R 614	RS1/16SS473J
	R 532	RS1/16SS222J	R 615	RS1/16SS103J
	R 533	RS1/10SR103J	R 617	RS1/16SS473J
			R 627	RS1/16SS153J
	R 534	RS1/10SR103J		
	R 535	RS1/10SR0R0J	R 628	RS1/16SS153J
	R 536	RS1/16SS472J	R 629	RS1/16SS472J
	R 538	RS1/16SS472J	R 630	RS1/16SS101J
	R 540	RS1/16SS103J	R 631	RS1/16SS0R0J
			R 632	RS1/16SS101J
	R 541	RS1/16SS103J		
	R 542	RS1/10SR0R0J	R 633	RS1/16SS101J
	R 543	RS1/10SR0R0J	R 634	RS1/16SS101J
C	R 544	RS1/16SS102J	R 635	RS1/16SS101J
	R 545	RS1/16SS473J	R 636	RS1/16SS101J
			R 637	RS1/16SS221J
	R 546	RS1/16SS273J		
	R 547	RS1/16SS473J	R 638	RS1/16SS221J
	R 548	RS1/16SS102J	R 639	RS1/16SS101J
	R 550	RS1/16SS103J	R 640	RS1/16SS101J
	R 551	RS1/16SS103J	R 642	RS1/16SS221J
			R 643	RS1/16SS101J
	R 552	RS1/16SS102J		
	R 554	RS1/16SS222J	R 644	RS1/16SS473J
	R 555	RS1/16SS135J	R 645	RS1/16SS101J
	R 556	RS1/16SS101J	R 646	RS1/16SS101J
D	R 557	RS1/16SS101J	R 647	RS1/16SS102J
			R 648	RS1/16SS102J
	R 558	RS1/16SS222J		
	R 559	RS1/16SS222J	R 650	RS1/16SS101J
	R 560	RS1/16SS473J	R 651	RS1/16SS102J
	R 561	RS1/16SS103J	R 652	RS1/16SS101J
	R 562	RS1/16SS472J	R 653	RS1/16SS0R0J
			R 657	RS1/16SS101J
	R 563	RS1/16SS472J		
	R 564	RS1/16SS472J	R 658	RS1/16SS101J
	R 566	RAB4CQ103J	R 659	RS1/16SS101J
	R 567	RS1/16SS472J	R 660	RS1/16SS101J
	R 568	RS1/16SS0R0J	R 661	RS1/16SS101J
E			R 663	RS1/16SS101J
	R 570	RS1/16SS221J		
	R 571	RS1/16SS221J	R 664	RS1/16SS101J
	R 572	RS1/16SS472J	R 672	RS1/16SS101J
	R 573	RS1/16SS473J	R 690	RS1/16SS472J
	R 574	RS1/16SS473J	R 701	RS1/16SS103J
			R 702	RS1/16SS472J
	R 575	RS1/16SS473J		
	R 578	RS1/16SS473J	R 703	RS1/16SS101J
	R 579	RS1/16SS473J	R 704	RS1/16SS101J
	R 580	RS1/16SS473J	R 705	RS1/16SS222J
	R 581	RS1/16SS0R0J	R 706	RS1/16SS222J
			R 707	RS1/16SS472J
F	R 583	RS1/16SS0R0J		
	R 584	RS1/16SS102J	R 708	RS1/16SS272J
	R 585	RS1/16SS0R0J	R 709	RS1/16SS473J
	R 586	RS1/16SS103J	R 710	RS1/16SS0R0J

<u>Circuit Symbol and No.</u>	<u>Part No.</u>	<u>Circuit Symbol and No.</u>	<u>Part No.</u>
R 714	RAB4CQ121J	R 1013	RS1/16SS0R0J
R 715	RAB4CQ121J	R 1017	RS1/16SS473J
		R 1018	RS1/16SS473J
R 716	RAB4CQ121J		
R 717	RAB4CQ121J	R 1101	RS1/16SS104J
R 718	RAB4CQ121J	R 1104	RS1/16SS472J
R 719	RAB4CQ121J	R 1105	RS1/16SS221J
R 720	RAB4CQ121J	R 1106	RS1/16SS221J
		R 1107	RS1/16SS101J
R 721	RAB4CQ121J		
R 722	RAB4CQ121J	R 1108	RS1/16SS221J
R 723	RS1/10SR0R0J	R 1109	RS1/16SS101J
R 724	RS1/16SS121J	R 1110	RS1/16SS102J
R 731	RS1/16SS330J	R 1112	RS1/16SS221J
		R 1114	RS1/16SS473J
R 732	RS1/16SS330J		
R 733	RS1/16SS103J	R 1115	RS1/16SS472J
R 734	RS1/16SS103J	R 1116	RS1/16SS472J
R 735	RS1/16SS103J	R 1117	RS1/16SS472J
R 736	RS1/16SS330J	R 1119	RS1/16SS473J
		R 1120	RS1/16SS151J
R 737	RS1/16SS330J		
R 741	RS1/16SS330J	R 1121	RS1/16SS151J
R 742	RS1/16SS103J	R 1122	RS1/16SS151J
R 743	RS1/16SS103J	R 1201	RS1/10SR222J
R 744	RS1/16SS330J	R 1203	RS1/16SS223J
		R 1204	RS1/16SS223J
R 745	RS1/16SS330J		
R 746	RS1/16SS103J	R 1205	RS1/10SR222J
R 747	RS1/16SS330J	R 1206	RS1/10SR221J
R 748	RS1/16SS330J	R 1207	RS1/10SR221J
R 749	RS1/16SS330J	R 1208	RS1/10SR0R0J
		R 1209	RS1/10SR222J
R 750	RS1/16SS103J		
R 751	RS1/16SS103J	R 1210	RS1/10SR222J
R 753	RS1/16SS103J	R 1211	RS1/10SR222J
R 754	RS1/16SS330J	R 1212	RS1/10SR222J
R 761	RS1/10SR221J	R 1213	RS1/16SS123J
		R 1214	RS1/10SR222J
R 763	RS1/16SS101J		
R 764	RS1/16SS101J	R 1215	RS1/10SR101J
R 766	RS1/16SS0R0J	R 1241	RS1/16SS821J
R 767	RS1/16SS104J	R 1242	RS1/16SS821J
R 768	RS1/16SS181J	R 1243	RS1/16SS821J
		R 1244	RS1/16SS821J
R 769	RS1/8SQ0R0J		
R 770	RS1/10SR0R0J	R 1245	RS1/16SS821J
R 851	RS1/16SS105J	R 1246	RS1/16SS821J
R 852	RS1/16SS105J	R 1247	RS1/16SS223J
R 853	RS1/16SS391J	R 1248	RS1/16SS223J
		R 1249	RS1/16SS223J
R 864	RS1/16SS103J		
R 868	RS1/16SS103J	R 1250	RS1/16SS223J
R 870	RS1/16SS101J	R 1251	RS1/16SS223J
R 871	RS1/16SS0R0J	R 1252	RS1/16SS223J
R 872	RS1/16SS0R0J	R 1253	RS1/16SS0R0J
		R 1255	RS1/16SS0R0J
R 873	RS1/16SS182J		
R 874	RS1/16SS101J	R 1278	RS1/16SS102J
R 875	RS1/16SS472J	R 1280	RS1/16SS102J
R 890	RS1/16SS0R0J	R 1281	RS1/16SS101J
R 1001	RS1/16SS0R0J	R 1282	RS1/16SS101J
		R 1284	RS1/16SS0R0J
R 1002	RS1/16SS221J		
R 1004	RS1/16SS473J	R 1285	RS1/16SS0R0J
R 1005	RS1/16SS221J	R 1301	RS1/16SS123J
R 1006	RS1/16SS0R0J	R 1302	RS1/16SS103J
R 1007	RS1/16SS0R0J	R 1303	RS1/16SS221J
		R 1304	RS1/16SS0R0J
R 1011	RS1/16SS221J		
R 1012	RS1/16SS221J	R 1306	RS1/16SS103J

Circuit Symbol and No.**Part No.****Circuit Symbol and No.****Part No.**

R 1307	RS1/16SS0R0J	C 217	CCSRCH102J50
R 1310	RS1/8SQ0R0J		
R 1311	RS1/8SQ0R0J	C 218	CKSYX106K35
R 1312	RS1/16SS103J	C 220	CKSYX106K35
		C 221	CKSYX106K35
R 1313	RS1/16SS102J	C 222	CEVW221M16
R 1314	RS1/8SQ0R0J	C 223	CCSSCH221J50
R 1321	RS1/16SS0R0J		
R 1322	RS1/16SS0R0J	C 224	CKSRYB105K10
R 1323	RS1/16SS0R0J	C 225	CKSRYB105K10
		C 227	CCSSCH221J50
R 1324	RS1/16SS0R0J	C 228	CCSSCH102J50
R 1402	RS1/16SS102J	C 230	CKSQYX106K10
R 1403	RS1/16SS103J		
R 1405	RS1/16SS0R0J	C 231	CKSRYB104K16
R 1406	RS1/16SS102J	C 232	CEHVW101M6R3
		C 234	CKSRYX475K6R3
R 1407	RS1/16SS272J	C 236	CKSYX106K35
R 1408	RS1/16SS332J	C 237	CKSRYB104K16
R 1409	RS1/16SS333J		
R 1410	RS1/16SS682J	C 238	CKSYX226M16
R 1411	RS1/16SS824J	C 239	CCSSCH100D50
		C 240	CCSSCH100D50
R 1412	RS1/16SS563J	C 241	CKSQYX106K10
R 1413	RS1/16SS0R0J	C 242	CKSRYB104K16
R 1414	RS1/16SS0R0J		
R 1415	RS1/16SS273J	C 243	CKSYX106K35
R 1418	RS1/16SS0R0J	C 247	CKSRYB105K10
		C 248	CKSRYX105K50
R 1419	RS1/16SS0R0J	C 249	CCSSCH820J50
R 1420	RS1/16SS0R0J	C 250	CKSRYX225K10
R 1423	RS1/16SS0R0J		
R 1424	RS1/16SS0R0J	C 251	CKSRYB105K10
R 1427	RS1/16SS0R0J	C 252	CKSRYX475K6R3
		C 253	CKSRYX105K50
		C 255	CKSSYX105K10
		C 257	CKSYX106K35

CAPACITORS

C 101	2 200 uF/16 V	CCH1405	
C 102		CKSRYB103K50	C 259
C 103		CKSSYB102K50	C 260
C 104		CKSSYB102K50	C 261
C 105		CKSSYB102K50	C 270
			C 441
C 106		CKSSYB102K50	
C 107		CKSSYB102K50	C 442
C 108		CKSSYB102K50	C 443
C 109		CKSSYB102K50	C 444
C 110		CKSSYB102K50	C 502
			C 503
C 111		CKSRYX104K50	
C 121		CKSRYB104K16	C 505
C 122		CKSRYX105K50	C 506
C 201		CCSSCH681J50	C 507
C 202		CEVW221M16	C 508
			C 509
C 203		CKSRYX106M6R3	
C 204		CEVQW221M6R3	C 510
C 205		CKSRYX105K50	C 511
C 206		CKSYX106K35	C 512
C 207		CKSSYB104K10	C 513
			C 514
C 208		CCSSCH471J50	
C 209		CCSSCH681J50	C 515
C 210	2 200 uF/16 V	CCH1405	C 516
C 211		CKSQYX106K10	C 517
C 212		CEAT102M16	C 518
			C 519
C 213		CKSSYB222K50	
C 214		CKSRYX106M6R3	C 520
C 215		CKSRYB104K16	C 521
C 216		CKSRYX104K50	C 522

<u>Circuit Symbol and No.</u>	<u>Part No.</u>	<u>Circuit Symbol and No.</u>	<u>Part No.</u>
C 523	CKSRYX475K6R3	C 729	CKSQYX106K10
C 524	CKSRYX475K6R3	C 731	CKSSYB104K10
		C 741	CKSRYX225K10
C 525	CKSRYX106M6R3		
C 526	CKSSYB103K16	C 742	CKSSYB104K10
C 527	CKSRYX106M6R3	C 743	CKSSYB104K10
C 528	CKSSYB103K16	C 761	CKSRYB105K10
C 529	CKSSYB104K10	C 762	CKSRYB105K10
		C 763	CKSRYB105K10
C 530	CKSRYX475K6R3		
C 531	CKSSYX105K10	C 767	CKSRYB105K10
C 532	CKSSYX105K10	C 768	CKSRYB105K10
C 533	CKSRYX475K6R3	C 769	CKSRYB105K10
C 534	CKSSYB104K10	C 770	CKSRYB105K10
		C 771	CKSRYB105K10
C 535	CEVW221M10		
C 536	CCSSCH101J50	C 772	CKSRYB105K10
C 537	CKSSYB103K16	C 773	CKSRYB105K10
C 538	CKSRYX106M6R3	C 774	CCSSCH151J50
C 539	CKSSYB103K16	C 775	CCSSCH151J50
		C 776	CKSRYX104K50
C 540	CKSRYX106M6R3		
C 541	CKSSYB222K50	C 777	CKSYX106K35
C 542	CKSSYB104K10	C 778	CKSRYB105K10
C 543	CKSSYX105K10	C 779	CKSQYX106K10
C 544	CKSSYB473K16	C 780	CKSSYB104K16
		C 781	CKSRYB105K10
C 545	CCSSCH100D50		
C 546	CCSSCH120J50	C 782	CKSRYB105K10
C 551	CKSSYB104K10	C 783	CKSRYB105K10
C 552	CKSRYX475K6R3	C 784	CKSRYB105K10
C 553	CKSQYX106K10	C 785	CKSRYB105K10
		C 787	CKSQYX106K16
C 555	CKSSYB103K16		
C 556	CKSSYB104K10	C 788	CKSQYX106K16
C 559	CKSQYB224K50	C 790	CKSQYX106K10
C 560	CKSSYB103K16	C 791	CKSRYB103K50
C 565	CCSRCH270J50	C 794	CCSRCH101J50
		C 853	CCSSCH100D50
C 566	CCSRCH330J50		
C 569	CCSSCH101J50	C 854	CCSSCH471J50
C 573	CCSRCH101J50	C 856	CKSRYX104K50
C 574	CCSSCH101J50	C 857	CKSRYX104K50
C 575	CKSSYB104K10	C 858	CCSSCH220J50
		C 859	CCSSCH331J50
C 576	CKSSYB102K50		
C 577	CCSSCH101J50	C 865	CKSRYX225K10
C 580	CKSRYB104K16	C 866	CKSSYB224K6R3
C 588	CKSSYB104K10	C 867	CKSSYB102K50
C 590	CKSSYB472K25	C 870	CCSSCH102J50
		C 872	CKSSYB104K10
C 591	CKSSYB472K25		
C 592	CKSSYB472K25	C 874	CCSSCH390J50
C 593	CKSSYB472K25	C 875	CKSSYB104K10
C 595	CKSSYB472K25	C 878	CKSSYB152K50
C 701	CKSSYB104K10	C 882	CKSSYX105K10
		C 884	CKSSYB104K16
C 702	CKSSYB104K10		
C 712	CKSSYX105K10	C 885	CCG1318
C 713	CKSSYB104K10	C 890	CKSRYX106M6R3
C 714	CKSSYX105K10	C 891	CKSRYX225K10
C 715	CKSSYX105K10	C 1003	CKSRYB104K16
		C 1004	CKSRYB104K16
C 716	CKSSYX105K10		
C 717	CKSRYX475K6R3	C 1101	CKSSYB103K16
C 718	CKSSYX105K10	C 1105	CKSSYX105K10
C 719	CKSSYB104K10	C 1106	CKSSYX105K10
C 721	CKSRYX105K16	C 1109	CCSSCH102J50
		C 1201	CCSRCH102J50
C 722	CKSSYB104K10		
C 723	CCSSCH102J50	C 1202	CKSRYX104K50

Circuit Symbol and No.Part No.Circuit Symbol and No.Part No.

A C 1203 CKSRYB104K16
 C 1204 CKSRYB105K10
 C 1205 CCSRCH221J50
 C 1206 CCSRCH221J50

C 1207 CKSRYB474K10
 C 1210 CKSRYB105K10
 C 1212 CCSSCH470J50
 C 1217 CCSSCH121J50
 C 1221 CKSYX106K35

B C 1241 CKSQYX106K10
 C 1242 CKSQYX106K10
 C 1243 CKSQYX106K10
 C 1244 CKSQYX106K10
 C 1245 CKSQYX106K10

C 1246 CKSQYX106K10
 C 1247 CCSSCH102J50
 C 1248 CCSSCH102J50
 C 1249 CCSSCH102J50
 C 1250 CCSSCH102J50

C 1251 CCSSCH102J50
 C 1252 CCSSCH102J50
 C 1253 CKSSYB103K16
 C 1254 CKSSYB104K10
 C 1255 CCSRCH331J50

C 1256 CKSSYX105K10
 C 1276 CKSRYB104K16
 C 1277 CKSRYB104K16
 C 1278 CKSRYB104K16
 C 1279 CKSRYB104K16

C 1280 CKSSYB102K50
 C 1281 CKSSYB102K50
 C 1301 CKSQYB474K25
 C 1302 CKSQYB474K25
 C 1303 CKSQYB474K25

D C 1304 CKSQYB474K25
 C 1305 CKSSYB104K10
 C 1306 CKSRYB474K10
 C 1308 CKSRYX104K50
 C 1310 CKSQYX106K16

C 1311 CKSRYX225K10
 C 1312 CKSRYX104K50
 C 1316 CKSRYX104K50
 C 1317 CKSRYX104K50
 C 1318 CKSRYX104K50

E C 1321 CKSRYX106M6R3
 C 1401 CKSSYB104K10
 C 1403 CKSRYX106M6R3
 C 1404 CKSSYB104K10
 C 1405 CKSRYB105K10

C 1406 CKSSYB104K10
 C 1407 CKSSYB182K50
 C 1408 CKSRYX105K25
 C 1409 CKSSYX105K10
 C 1410 CCSSCH6R0D50

F C 1411 CKSSYB102K50
 C 1412 CKSSYB104K10
 C 1415 CCSSCH6R0D50
 C 1416 CKSSYB102K50
 C 1421 CKSRYX105K16

C 1422

CKSRYX105K16

B**Unit Number: QWM4638(A,B)****Unit Number: QWM4637(C)****Unit Name : Keyboard Unit**MISCELLANEOUS

IC 1801 Driver IC BU97540KV-M
 IC 1851 IR RC REC Module(A,B) PNJ4833M
 Q 1951 Bipolar Transistor LSCR523UB
 Q 1952 Bipolar Transistor LSCR523UB
 Q 1953 Bipolar Transistor LSCR523UB

Q 1954 Bipolar Transistor LSCR523UB
 Q 1955 Bipolar Transistor LSCR523UB
 Q 1956 Bipolar Transistor LSCR523UB
 D 1901 Diode SZESD7351HG
 D 1902 Diode SZESD7351HG

D 1921 Diode DZ2S068C
 D 1922 Diode DZ2S068C
 D 1923 Diode DZ2S068C
 D 1951 LED NSSM124-6717
 D 1952 LED NSSM124-6717

D 1953 LED NSSM124-6717
 D 1954 LED NSSM124-6717
 D 1955 LED NSSM124-6717
 L 1921 Inductor CTF1389
 L 1922 Inductor CTF1389

L 1923 Inductor CTF1389
 S 1821 Push Switch CSG1155
 S 1822 Push Switch CSG1155
 S 1823 Push Switch CSG1155
 S 1824 Push Switch CSG1155

S 1825 Push Switch(A,B) CSG1155
 S 1826 Push Switch CSG1155
 S 1827 Push Switch CSG1155
 S 1828 Push Switch CSG1155
 S 1829 Push Switch CSG1155

S 1830 Push Switch CSG1155
 S 1831 Push Switch CSG1155
 S 1832 Push Switch CSG1155
 S 1833 Push Switch CSG1155
 S 1834 Push Switch CSG1155

S 1835 Push Switch CSG1155
 S 1836 Encoder(MULTI-CONTROL) CSD1168
 CN1941 Connector CKS6287
 JA 1901 Connector CKS6443
 JA 1921 Jack KKN1090

V 1801 Segment LCD CAW2063

RESISTORS

R 1802 RS1/10SR472J
 R 1821 RS1/10SR273J
 R 1852 (C) RS1/10SR102J
 R 1854 (A,B) RS1/10SR101J
 R 1941 RS1/10SR222J

R 1942 RS1/10SR222J
 R 1943 RS1/10SR222J
 R 1944 RS1/10SR222J
 R 1951 RS1/10SR332J

<u>Circuit Symbol and No.</u>	<u>Part No.</u>	<u>Circuit Symbol and No.</u>	<u>Part No.</u>
R 1952	RS1/10SR152J	R 245	RS1/16SS104J
R 1953	RS1/10SR332J	R 254	RS1/16SS104J
R 1954	RS1/10SR152J	R 260	RS1/16SS103J
R 1955	RS1/10SR332J	R 264	RS1/16SS102J
R 1956	RS1/10SR152J	R 281	RS1/16SS560J
R 1957	RS1/10SR680J	R 282	RS1/16SS560J
R 1958	RS1/10SR680J	R 291	RS1/16SS560J
R 1959	RS1/10SR680J	R 294	RS1/16SS471J
R 1960	RS1/10SR332J	R 303	RS1/16SS123J
R 1961	RS1/10SR152J	R 304	RS1/16SS123J
R 1962	RS1/10SR332J	R 305	RS1/16SS102J
R 1963	RS1/10SR152J	R 306	RS1/16SS472J
R 1964	RS1/10SR332J	R 307	RS1/16SS102J
R 1965	RS1/10SR152J	R 308	RS1/16SS472J
R 1966	RS1/10SR680J	R 309	RS1/16SS473J
R 1967	RS1/10SR680J	R 310	RS1/16SS472J
R 1968	RS1/10SR680J	R 311	RS1/16SS472J
R 1975	RS1/10SR221J	R 312	RS1/16SS472J
R 1976	RS1/10SR121J	R 313	RS1/16SS472J
R 1977	RS1/10SR121J	R 701	RS1/16SS101J
		R 702	RS1/16SS101J

CAPACITORS

C 1801	CKSRYX105K16
C 1851 (A,B)	CKSQYX106K10
C 1901	CCSRCH471J50
C 1902	CCSRCH330J50
C 1903	CCSRCH330J50
C 1904	CKSRYX475K6R3
C 1923	CKSRYX105K50
C 1924	CKSRYX105K50



Unit Number: CWX4269

Unit Name : CD Core Unit(S11.6VA)

MISCELLANEOUS

IC 201	IC	PEQ094A
IC 301	Driver IC	BD8223EFV
Q 101	Transistor	2SAR502UB
Q 102	Chip Digital Transistor	LTA123JUB
X 201	Ceramic Resonator 16.934 MHz	CSS1603
S 901	Lever Switch(HOME)	CSN1090
S 903	Spring Switch(DSCSNS)	CSN1081
CN101	Connector	CKS4808
CN701	Connector	CKS6146

RESISTORS

R 101	RS1/10SR2R4J
R 102	RS1/10SR2R4J
R 103	RS1/10SR2R7J
R 108	RS1/16SS105J
R 109	RS1/16SS152J
R 214	RS1/16SS103J
R 215	RS1/16SS393J
R 216	RS1/16SS102J
R 217	RS1/16SS562J
R 218	RS1/16SS472J
R 229	RS1/16SS471J
R 232	RS1/16SS0R0J
R 237	RS1/16SS221J
R 240	RS1/16SS473J

CAPACITORS

R 706	RS1/16SS221J
C 104	CKSQYB475K6R3
C 110	CKSSYB104K10
C 111	CKSSYB103K16
C 203	CKSSYB104K10
C 205	CKSRYB105K10
C 209	CKSRYB104K16
C 210	CKSSYB104K10
C 211	CKSSYB104K10
C 212	CKSSYB104K10
C 213	CKSSYB332K50
C 214	CKSSYB473K16
C 215	CKSSYB104K10
C 216	CKSSYB152K50
C 217	CCSSCH390J50
C 218	CCSSCH5R0C50
C 219	CKSSYB104K10
C 220	CKSSYB104K10
C 221	CKSSYB104K10
C 222	CKSSYB104K10
C 223	CCSSCH680J50
C 224	CCSSCH470J50
C 225	CKSSYB103K16
C 228	CCSSCH180J50
C 229	CKSSYB104K10
C 233	CKSSYB103K16
C 236	CKSSYB104K10
C 238	CKSRYB104K16
C 299	CKSSYB104K10
C 302	CKSSYB102K50
C 303	CKSSYB102K50
C 304	CKSSYB223K16
C 305	CKSSYB104K10
C 306	CKSSYB104K10
C 307	CKSRYB105K10
C 308	CKSRYB105K10

Circuit Symbol and No.**Part No.****Circuit Symbol and No.****Part No.**

C 710

CKSSYB102K50

C 212
C 213
C 214
C 215
C 216CKSSYB104K10
CKSSYB332K50
CKSSYB473K16
CKSSYB104K10
CKSSYB182K50C 217
C 218
C 219
C 220
C 221CCSSCH560J50
CCSSCH4R0C50
CKSSYB104K10
CKSSYB104K10
CKSSYB104K10C 222
C 223
C 224
C 225
C 228CKSSYB104K10
CCSSCH680J50
CCSSCH470J50
CKSSYB103K16
CCSSCH270J50C 229
C 233
C 236
C 238
C 299CKSSYB104K10
CKSSYB103K16
CKSSYB104K10
CKSRYB104K16
CKSSYB104K10C 302
C 303
C 304
C 305
C 306CKSSYB102K50
CKSSYB102K50
CKSSYB223K16
CKSSYB104K10
CKSSYB104K10C 307
C 308
C 710CKSRYB105K10
CKSRYB105K10
CKSSYB102K50**D****Unit Number: CWX4023****Unit Name : CD Core Unit(S11.6STD)****MISCELLANEOUS**

IC 201	IC	PE5791A
IC 301	Driver IC	BD8223EFV
Q 101	Transistor	2SAR502UB
Q 102	Chip Digital Transistor	LTA123JUB
X 201	Ceramic Resonator 16.934 MHz	CSS1603

S 901	Lever Switch(HOME)	CSN1090
S 903	Spring Switch(DSCSNS)	CSN1081
CN101	Connector	CKS4808
CN701	Connector	CKS6146

RESISTORS

R 101	RS1/10SR2R4J
R 102	RS1/10SR2R4J
R 103	RS1/10SR2R7J
R 108	RS1/16SS105J
R 109	RS1/16SS222J

R 214	RS1/16SS103J
R 215	RS1/16SS393J
R 216	RS1/16SS122J
R 217	RS1/16SS562J
R 218	RS1/16SS472J

R 229	RS1/16SS471J
R 232	RS1/16SS0R0J
R 237	RS1/16SS221J
R 240	RS1/16SS473J
R 245	RS1/16SS104J

R 254	RS1/16SS104J
R 260	RS1/16SS103J
R 264	RS1/16SS102J
R 281	RS1/16SS560J
R 282	RS1/16SS560J

R 291	RS1/16SS560J
R 294	RS1/16SS471J
R 303	RS1/16SS123J
R 304	RS1/16SS123J
R 305	RS1/16SS102J

R 306	RS1/16SS472J
R 307	RS1/16SS102J
R 308	RS1/16SS472J
R 309	RS1/16SS473J
R 310	RS1/16SS472J

R 311	RS1/16SS472J
R 312	RS1/16SS472J
R 313	RS1/16SS472J
R 701	RS1/16SS101J
R 702	RS1/16SS101J

R 706	RS1/16SS221J
-------	--------------

CAPACITORS

C 104	CKSQYB475K6R3
C 203	CKSSYB104K10
C 209	CKSRYB104K16
C 210	CKSSYB104K10
C 211	CKSSYB104K10