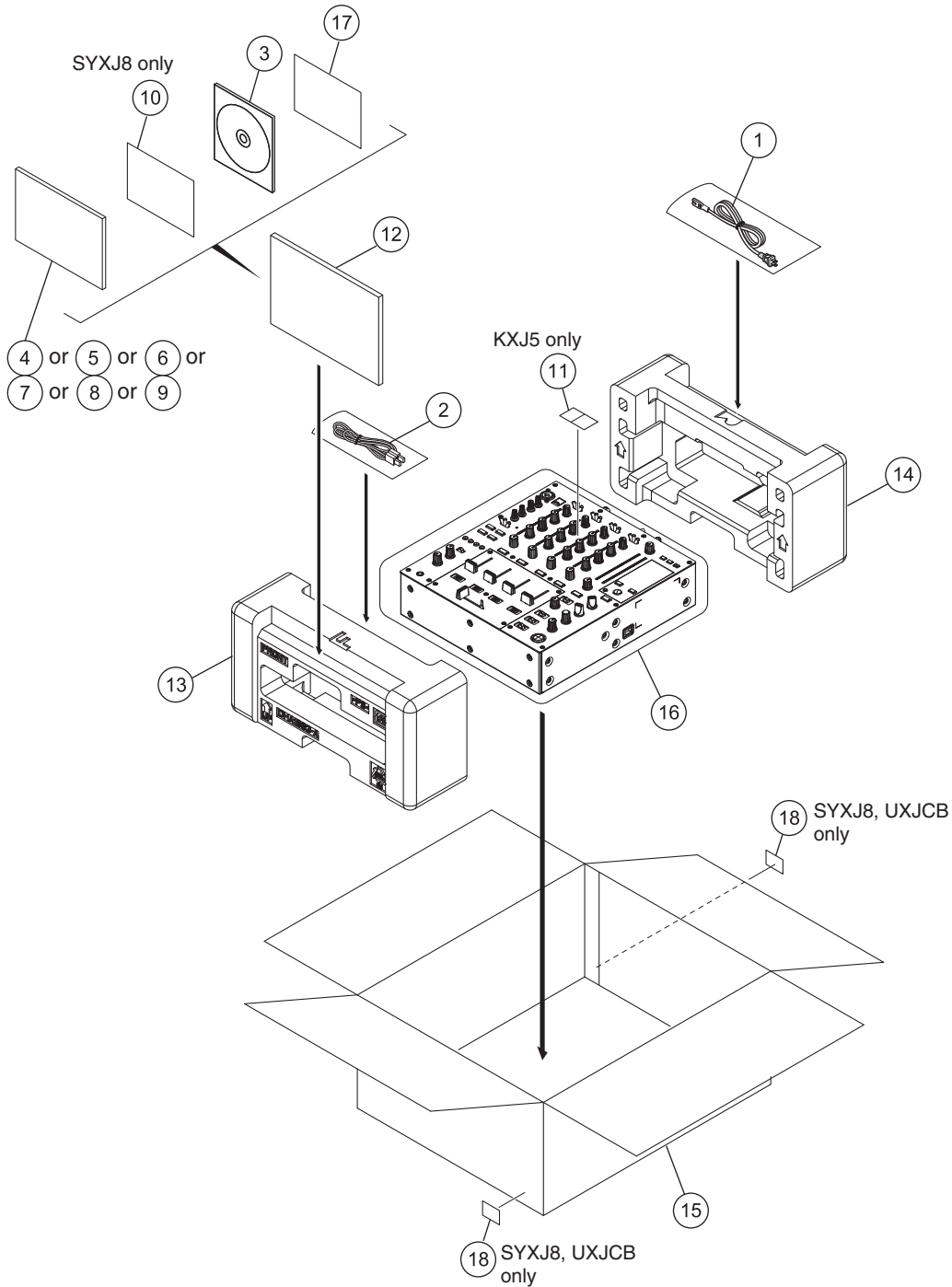


9. EXPLODED VIEWS AND PARTS LIST

- NOTES:
- Parts marked by "NSP" are generally unavailable because they are not in our Master Spare Parts List.
 - The \triangle mark found on some component parts indicates the importance of the safety factor of the part. Therefore, when replacing, be sure to use parts of identical designation.
 - Screws adjacent to ∇ mark on product are used for disassembly.
 - For the applying amount of lubricants or glue, follow the instructions in this manual. (In the case of no amount instructions, apply as you think it appropriate.)

9.1 PACKING SECTION



(1) PACKING SECTION PARTS LIST

Mark No.	Description	Part No.
⚠	1 AC Power Cord	See Contrast table (2)
	2 USB Cable	DDE1128
	3 Driver Software CD-ROM	DXX2694
	4 Operating Instructions	See Contrast table (2)
	5 Operating Instructions	See Contrast table (2)
	6 Operating Instructions	See Contrast table (2)
	7 Operating Instructions	See Contrast table (2)
	8 Operating Instructions	See Contrast table (2)
	9 Operating Instructions	See Contrast table (2)
NSP 10	Warranty Card (WY)	See Contrast table (2)
NSP 11	Label RCY	See Contrast table (2)
NSP 12	Polyethylene Bag	AHG7117
13	Packing Pad/A	DHA1883
14	Packing Pad/B	DHA1884
15	Packing Case	See Contrast table (2)
16	Packing Sheet	RHC1023
NSP 17	Leaflet/NI	DRM1367
18	Label/NI	See Contrast table (2)

(2) CONTRAST TABLE

DJM-850-K/SYXJ8, UXJCB, LXJ, KXJ5, XJCN5, DJM-850-S/SYXJ8, UXJCB, LXJ, KXJ5 and XJCN5 are constructed the same except for the following:

Mark	No.	Symbol and Description	DJM-850-K /SYXJ8	DJM-850-K /UXJCB	DJM-850-K /LXJ	DJM-850-K /KXJ5	DJM-850-K /XJCN5
⚠	1	AC Power Cord	ADG7062	DDG1108	ADG7062	ADG7115	ADG7105
	4	Operating Instructions (En, Fr, De, It)	DRB1604	Not used	Not used	Not used	Not used
	5	Operating Instructions (NI, Es, Ru)	DRB1605	Not used	Not used	Not used	Not used
	6	Operating Instructions (En)	Not used	DRB1606	Not used	Not used	Not used
	7	Operating Instructions (En, Es, Zhtw)	Not used	Not used	DRB1607	Not used	Not used
	8	Operating Instructions (Ko)	Not used	Not used	Not used	DRB1608	Not used
	9	Operating Instructions (En, Zhcn)	Not used	Not used	Not used	Not used	DRB1609
NSP	10	Warranty Card (WY)	ARY7107	Not used	Not used	Not used	Not used
NSP	11	Label RCY	Not used	Not used	Not used	DRW2487	Not used
	15	Packing Case	DHG3093	DHG3094	DHG3095	DHG3098	DHG3097
	18	Label/NI	DRW2543	DRW2543	Not used	Not used	Not used

Mark	No.	Symbol and Description	DJM-850-S /SYXJ8	DJM-850-S /UXJCB	DJM-850-S /LXJ	DJM-850-S /KXJ5	DJM-850-S /XJCN5
⚠	1	AC Power Cord	ADG7062	DDG1108	ADG7062	ADG7115	ADG7105
	4	Operating Instructions (En, Fr, De, It)	DRB1604	Not used	Not used	Not used	Not used
	5	Operating Instructions (NI, Es, Ru)	DRB1605	Not used	Not used	Not used	Not used
	6	Operating Instructions (En)	Not used	DRB1606	Not used	Not used	Not used
	7	Operating Instructions (En, Es, Zhtw)	Not used	Not used	DRB1607	Not used	Not used
	8	Operating Instructions (Ko)	Not used	Not used	Not used	DRB1608	Not used
	9	Operating Instructions (En, Zhcn)	Not used	Not used	Not used	Not used	DRB1609
NSP	10	Warranty Card (WY)	ARY7107	Not used	Not used	Not used	Not used
NSP	11	Label RCY	Not used	Not used	Not used	DRW2487	Not used
	15	Packing Case	DHG3105	DHG3106	DHG3107	DHG3110	DHG3109
	18	Label/NI	DRW2543	DRW2543	Not used	Not used	Not used

9.2 EXTERIOR SECTION

1 2 3 4

A

Refer to "9.4 CONTROL PANEL SECTION (1/2)" .

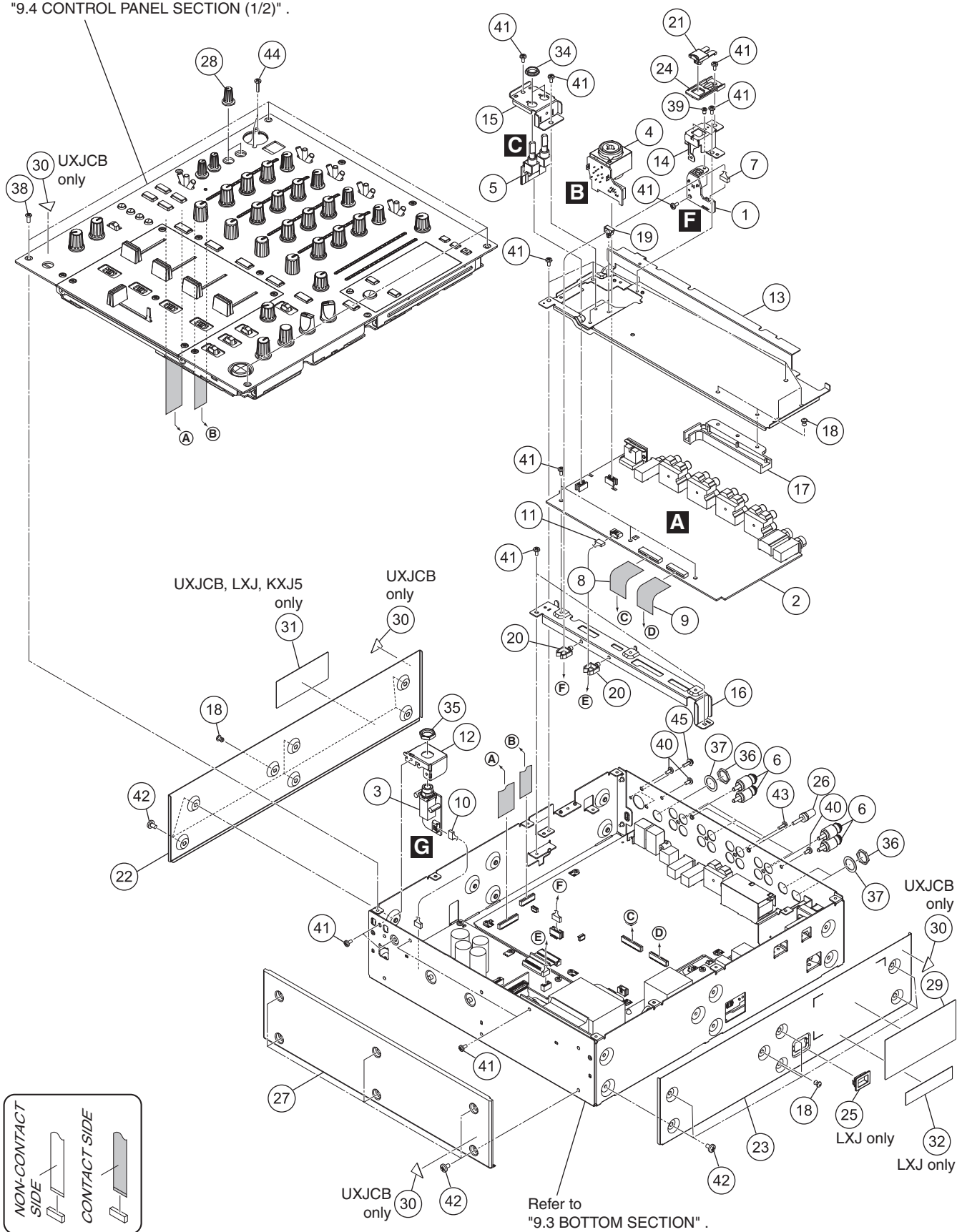
B

C

D

E

F



1 2 3 4

(1) EXTERIOR SECION PARTS LIST

<u>Mark No.</u>	<u>Description</u>	<u>Part No.</u>	<u>Mark No.</u>	<u>Description</u>	<u>Part No.</u>
1	USBI Assy	DWX3361	26	Terminal Screw	AKE-031
2	INPUT Assy	DWX3362	27	Front Panel	DNK6063
3	HPJK Assy	DWX3363	28	Knob/MIC	DAA1301
4	MIC1 Assy	DWX3371	NSP 29	Label	See Contrast table (2)
5	MTRM Assy	DWX3372	NSP 30	Label	See Contrast table (2)
6	Short Pin Plug	AKM7008	NSP 31	Caution Label	See Contrast table (2)
7	Shielded Conn-Cable	DDA1043	NSP 32	V Select Label	See Contrast table (2)
8	FFC/25P	DDD1597	33	•••••	
9	FFC/22P	DDD1598	34	Flange Nut M9	DBN1008
10	Connector Assy (J2)	PF04PP-S05	35	Nut M12	DBN1018
11	Cable (J3)	PF04PP-S17	36	Nut (M12)	NKX2FNI
12	Stay/HP	DNF1907	37	Washer	DEC2920
13	Shield Plate/INP	DNF1908	38	Screw (FE)	See Contrast table (2)
14	Bracket/USB	DNF1909	39	Screw (M3*5)	DBA1340
15	Bracket/MIC	DNF1910	40	Screw	BBZ30P060FTB
16	Stay/INP	DNF1911	41	Screw	BBZ30P060FTC
17	Cover/PCB	DNK6136	42	Screw	BBZ40P060FTB
18	Nylon Rivet	AEC1671	43	Screw	BPZ30P080FTB
19	Locking Mini Clamp	DEC2439	44	Screw	BPZ30P120FTB
20	Holder	VEC1355	45	Screw	PMH30P100FTB
21	USB Cover B	DNK5868			
22	Side Panel L	DNK6061			
23	Side Panel R	See Contrast table (2)			
24	Panel/USB	DNK6120			
25	Knob/POW	See Contrast table (2)			

(2) CONTRAST TABLE

DJM-850-K/SYXJ8, UXJCB, LXJ, KXJ5, XJCN5, DJM-850-S/SYXJ8, UXJCB, LXJ, KXJ5 and XJCN5 are constructed the same except for the following:

Mark	No.	Symbol and Description	DJM-850-K /SYXJ8	DJM-850-K /UXJCB	DJM-850-K /LXJ	DJM-850-K /KXJ5	DJM-850-K /XJCN5
NSP	23	Side Panel R	DNK6062	DNK6062	Not used	DNK6062	DNK6062
	23	Side Panel R/G	Not used	Not used	DNK6065	Not used	Not used
	25	Knob/POW	Not used	Not used	DNK6066	Not used	Not used
	29	Label	DAL1207	DAL1208	DAL1209	DAL1212	DAL1211
	30	Label	Not used	DRW1975	Not used	Not used	Not used
NSP	31	Caution Label	Not used	DRW2429	DRW2430	DRW2542	Not used
NSP	32	V Select Label	Not used	Not used	DRW2400	Not used	Not used
	38	Screw (FE)	DBA1290	DBA1290	DBA1290	DBA1290	DBA1290

Mark	No.	Symbol and Description	DJM-850-S /SYXJ8	DJM-850-S /UXJCB	DJM-850-S /LXJ	DJM-850-S /KXJ5	DJM-850-S /XJCN5
NSP	23	Side Panel R	DNK6062	DNK6062	Not used	DNK6062	DNK6062
	23	Side Panel R/G	Not used	Not used	DNK6065	Not used	Not used
	25	Knob/POW	Not used	Not used	DNK6066	Not used	Not used
	29	Label	DAL1213	DAL1214	DAL1215	DAL1218	DAL1217
	30	Label	Not used	DRW1975	Not used	Not used	Not used
NSP	31	Caution Label	Not used	DRW2429	DRW2430	DRW2542	Not used
NSP	32	V Select Label	Not used	Not used	DRW2400	Not used	Not used
	38	Screw (FE)	DBA1436	DBA1436	DBA1436	DBA1436	DBA1436

9.3 BOTTOM SECTION

A

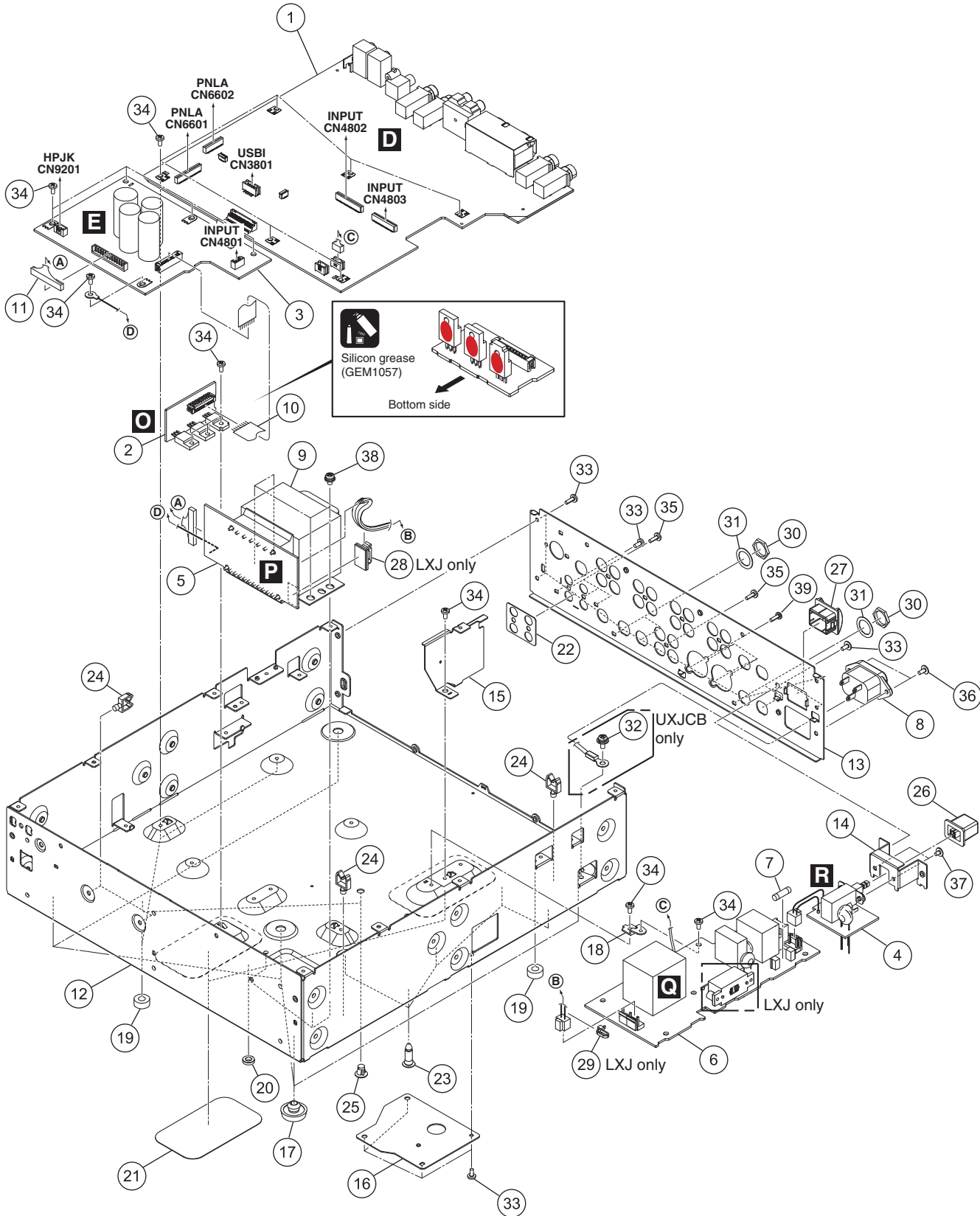
B

C

D

E

F



(1) BOTTOM SECTION PARTS LIST

Mark No.	Description	Part No.	Mark No.	Description	Part No.
	1 MAIN Assy	DWX3360	21	Sheet/BOT	DEC3404
	2 REG Assy	DWR1510	NSP 22	Insulating Sheet	DMR1010
	3 SEC/HP Assy	DWR1511	23	PCB Holder	PNW2029
	4 ACSW Assy	DWR1515	24	Holder	VEC1355
	5 TRANS Assy	See Contrast table (2)	NSP 25	PC Support	VEC1749
	6 PRIMARY Assy	See Contrast table (2)	26	Power Knob	DAC2306
⚠	7 Fuse (FU1: T630 mA)	AEK1052	27	Power Knob Guard	DNK4534
⚠	8 AC Inlet	See Contrast table (2)	28	Locking Wire Saddle	See Contrast table (2)
⚠	9 Transformer/L (T3101)	See Contrast table (2)	29	Binder	See Contrast table (2)
	10 Jumper Wire (J1)	D20PYY1010E	30	Nut (M12)	NKX2FNI
	11 Connector Assy (J4)	PF13EE-S17	31	Washer	DEC2920
NSP	12 Chassis	DNA1437	32	Screw	See Contrast table (2)
	13 Rear Panel	See Contrast table (2)	33	Screw	BBZ30P060FTB
	14 Bracket PSW	DNF1759	34	Screw	BBZ30P060FTC
	15 Shield Plate/PW	DNF1906	35	Screw	BPZ30P080FTB
NSP	16 Plate	DNK6124	36	Screw	IBZ30P080FTB
	17 Foot (Rubber)	REC-434	37	Screw	IMZ30P040FTC
NSP	18 PCB Stay (FE)	VNE2489	38	Screw	PMB40P060FTB
NSP	19 Spacer	AEB7092	39	Screw	PPZ30P080FTB
	20 Spacer	DEB1998			

(2) CONTRAST TABLE

DJM-850-K/SYXJ8, UXJCB, LXJ, KXJ5, XJCN5, DJM-850-S/SYXJ8, UXJCB, LXJ, KXJ5 and XJCN5 are constructed the same except for the following:

Mark	No.	Symbol and Description	DJM-850-K /SYXJ8	DJM-850-K /UXJCB	DJM-850-K /LXJ	DJM-850-K /KXJ5	DJM-850-K /XJCN5
	5	TRANS Assy	DWR1516	DWR1517	DWR1512	DWR1516	DWR1516
	6	PRIMARY Assy	DWR1519	DWR1520	DWR1509	DWR1519	DWR1519
⚠	8	AC Inlet/2P	DKP3916	Not used	DKP3916	DKP3916	DKP3916
⚠	8	AC Inlet/3P	Not used	DKP3915	Not used	Not used	Not used
⚠	9	Transformer/L (T3101)	DTT1256	DTT1257	DTT1256	DTT1256	DTT1256
	13	Rear Panel	DNC2069	DNC2070	DNC2081	DNC2082	DNC2073
	28	Locking Wire Saddle	Not used	Not used	DEC3439	Not used	Not used
	29	Binder	Not used	Not used	ZCA-SKB90BK	Not used	Not used
	32	Screw	Not used	PMH40P080FTC	Not used	Not used	Not used

Mark	No.	Symbol and Description	DJM-850-S /SYXJ8	DJM-850-S /UXJCB	DJM-850-S /LXJ	DJM-850-S /KXJ5	DJM-850-S /XJCN5
	5	TRANS Assy	DWR1516	DWR1517	DWR1512	DWR1516	DWR1516
	6	PRIMARY Assy	DWR1519	DWR1520	DWR1509	DWR1519	DWR1519
⚠	8	AC Inlet/2P	DKP3916	Not used	DKP3916	DKP3916	DKP3916
⚠	8	AC Inlet/3P	Not used	DKP3915	Not used	Not used	Not used
⚠	9	Transformer/L (T3101)	DTT1256	DTT1257	DTT1256	DTT1256	DTT1256
	13	Rear Panel	DNC2069	DNC2070	DNC2081	DNC2082	DNC2073
	28	Locking Wire Saddle	Not used	Not used	DEC3439	Not used	Not used
	29	Binder	Not used	Not used	ZCA-SKB90BK	Not used	Not used
	32	Screw	Not used	PMH40P080FTC	Not used	Not used	Not used

9.4 CONTROL PANEL SECTION (1/2)

1

2

3

4

A

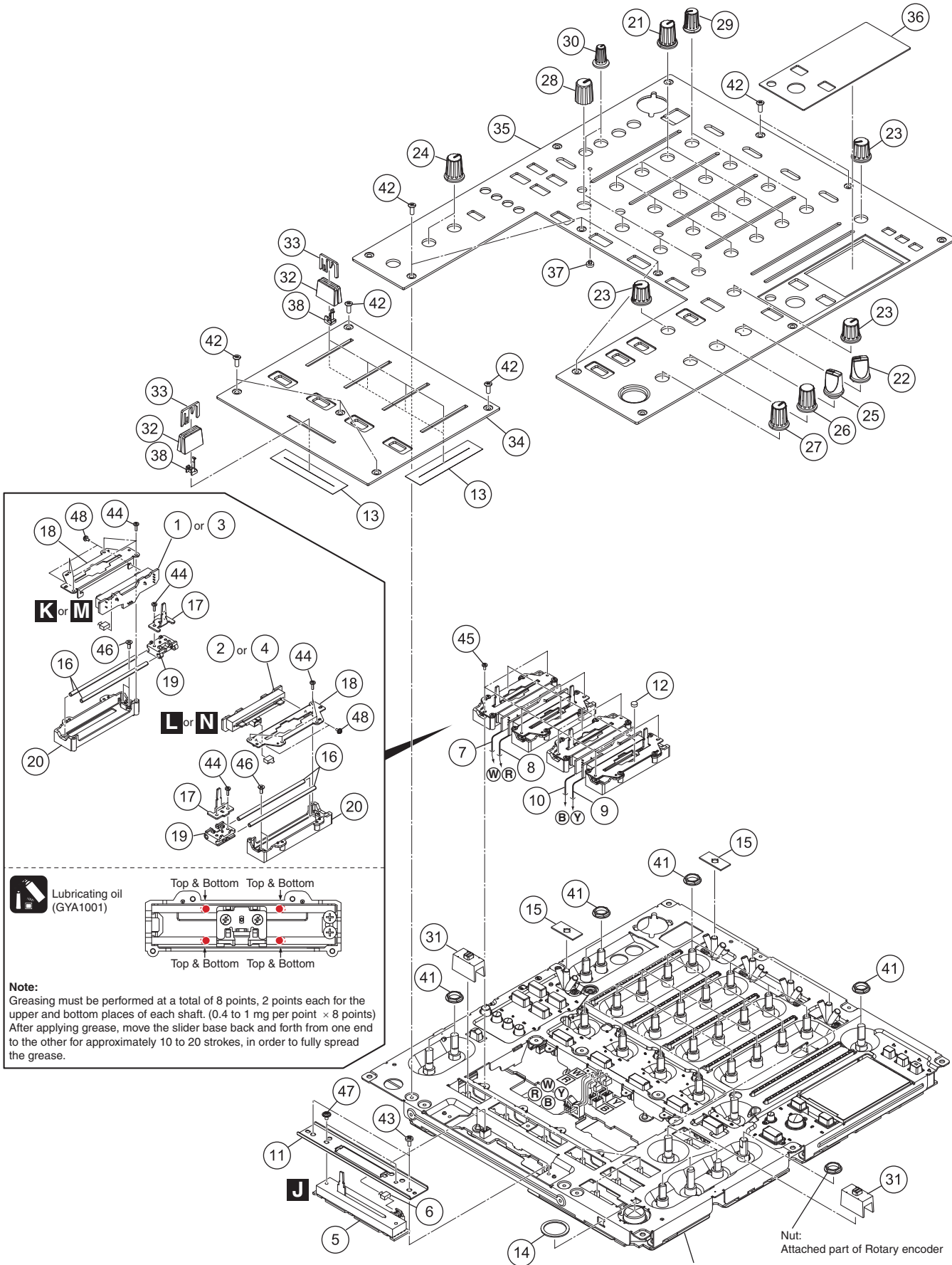
B

C

D

E

F



Nut:
Attached part of Rotary encoder

Refer to
"9.5 CONTROL PANEL SECTION (2/2)".

1

2

3

4

(1) CONTROL PANEL SECTION (1/2) PARTS LIST

Mark No.	Description	Part No.	Mark No.	Description	Part No.
1	FAD1 Assy	DWX3366	26	Knob (TIME)	DAA1214
2	FAD2 Assy	DWX3367	27	Rotary Knob (BN)	DAA1220
3	FAD3 Assy	DWX3368	28	Rotary SW Knob (HM)	DAA1256
4	FAD4 Assy	DWX3369	29	Knob/CH	DAA1300
5	FADC Assy	DWX3370	30	Knob/EQ	DAA1302
6	Connector Assy	PF03PP-B07	31	Slide SW Cap (W)	DAC2401
7	Connector Assy	PF03PP-B12	32	Slider Knob 1	DAC2684
8	Connector Assy	PF03PP2B07	33	Slider Knob 2	DAC2685
9	Connector Assy	PF03PP4B12	34	Fader Panel	See Contrast table (2)
10	Connector Assy	PF03PP6B07	35	Control Panel	See Contrast table (2)
11	CRF Stay	DNF1870	36	Panel/FL	DAH2877
12	SW Cushion HH48/2	DEC2538	37	Lens	DNK4532
13	Fader Packing	DEC2903	38	Slider Knob Stopper	DNK5888
14	SW Packing (EF)	DEC2929	39	•••••	
15	SW Packing	DED1177	40	•••••	
NSP 16	Guide Shaft (S)	DLA1918	41	Flange Nut M9	DBN1008
17	Lever Plate	DNH2954	42	Screw (FE)	See Contrast table (2)
18	VR Stay	DNH2955	43	Screw	BBZ30P060FTC
19	Slider Base	DNK5851	44	Screw	BPZ20P060FTC
20	Shaft Holder	DNK5852	45	Screw	BSZ20P040FTB
21	Rotary SW Knob (B)	DAA1176	46	Screw	CPZ26P080FTC
22	Select Knob	DAA1205	47	Screw	IMZ30P040FTC
23	Knob (MA)	DAA1210	48	Screw	PMH20P040FTC
24	Knob (Black)	DAA1212			
25	FX SEL Knob	DAA1213			

(2) CONTRAST TABLE

DJM-850-K/SYXJ8, UXJCB, LXJ, KXJ5, XJCN5, DJM-850-S/SYXJ8, UXJCB, LXJ, KXJ5 and XJCN5 are constructed the same except for the following:

Mark	No.	Symbol and Description	DJM-850-K /SYXJ8	DJM-850-K /UXJCB	DJM-850-K /LXJ	DJM-850-K /KXJ5	DJM-850-K /XJCN5
	34	Fader Panel	DNB1196	DNB1196	DNB1196	DNB1196	DNB1196
	35	Control Panel	DNB1197	DNB1197	DNB1197	DNB1197	DNB1197
	42	Screw (FE)	DBA1290	DBA1290	DBA1290	DBA1290	DBA1290

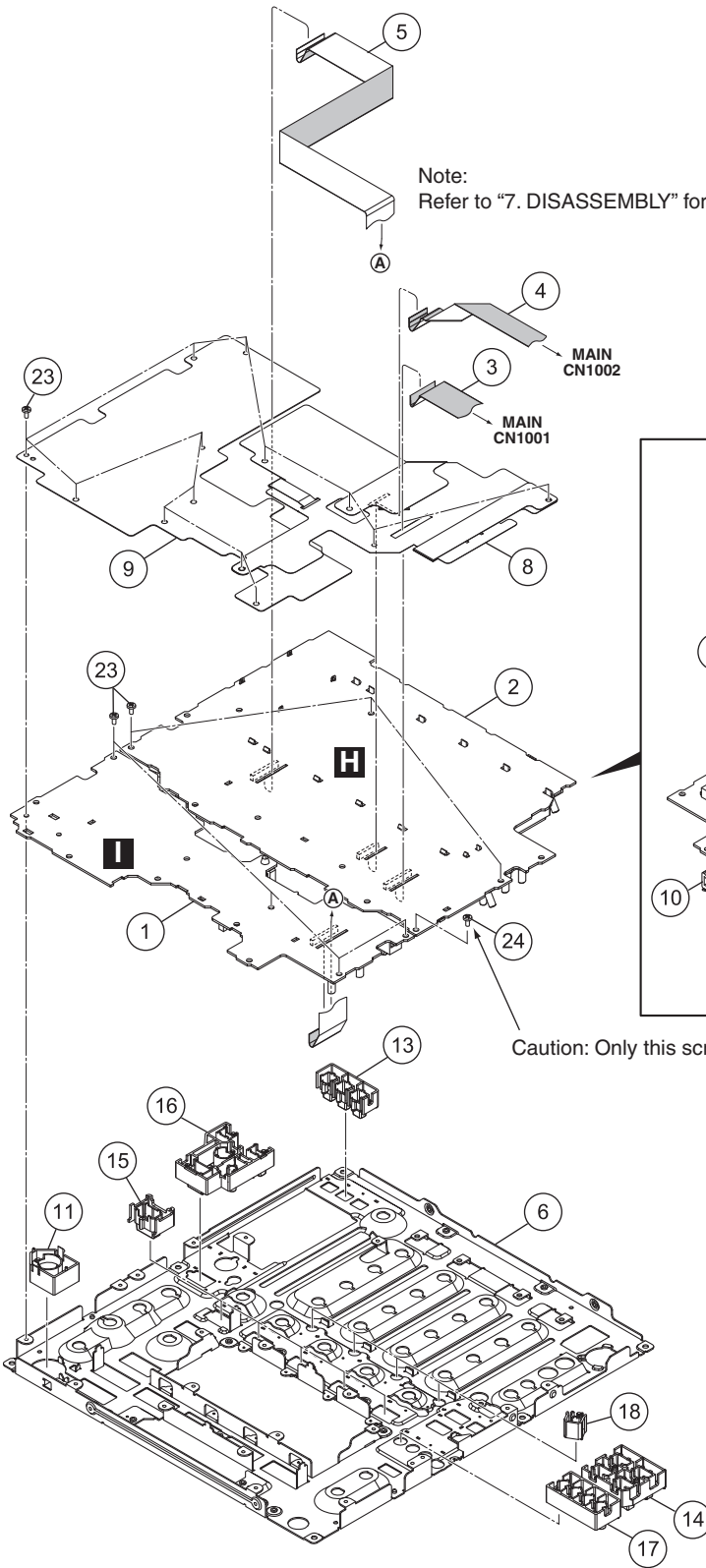
Mark	No.	Symbol and Description	DJM-850-S /SYXJ8	DJM-850-S /UXJCB	DJM-850-S /LXJ	DJM-850-S /KXJ5	DJM-850-S /XJCN5
	34	Fader Panel	DNB1201	DNB1201	DNB1201	DNB1201	DNB1201
	35	Control Panel	DNB1202	DNB1202	DNB1202	DNB1202	DNB1202
	42	Screw (FE)	DBA1436	DBA1436	DBA1436	DBA1436	DBA1436

9.5 CONTROL PANEL SECTION (2/2)

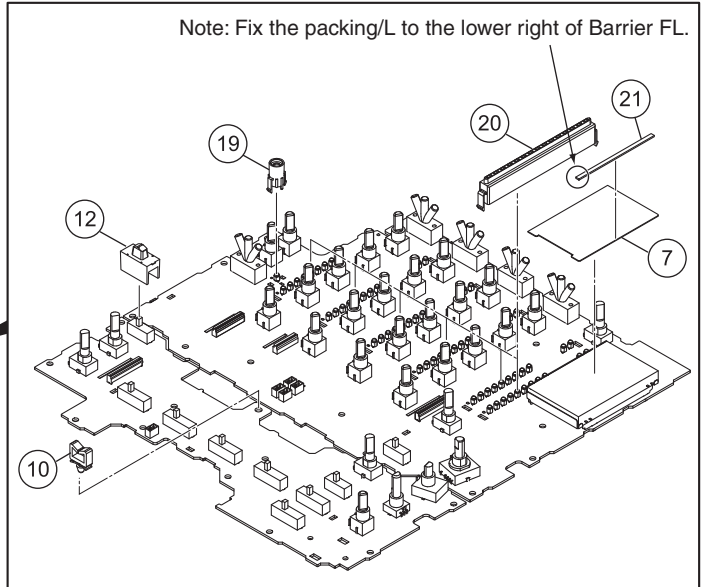
1 2 3 4

A • Bottom view

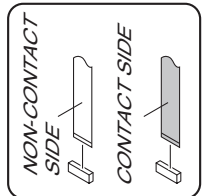
B
C
D
E
F



Note:
Refer to "7. DISASSEMBLY" for styling of flexible cables, barriers.



Caution: Only this screw is different in a type.



1 2 3 4

CONTROL PANEL SECTION (2/2) PARTS LIST

<u>Mark No.</u>	<u>Description</u>	<u>Part No.</u>	
1	PNLB Assy	DWX3365	
2	PNLA Assy	DWX3359	A
3	FFC/24P	DDD1599	
4	FFC/17P	DDD1600	
5	FFC/27P	DDD1601	
6	Panel Stay	DND1272	
7	Barrier FL	DEC3351	
8	Barrier/PNL	DMR1007	
9	Barrier/A	DMR1009	
10	Wire Saddle	XEC3100	
11	Effect Knob	DAC2304	B
12	Slide SW Cap	DAC2400	
13	Button (MIDI)	DAC2655	
14	Button/CFX	DAC2837	
15	Button/CUE	DAC2838	
16	Button/TAP	DAC2839	
17	Button/FS	DAC2840	
18	Button/BFX	DAC2841	
19	Lens Holder	DNK4533	
20	Label Meter Assy	DXB1882	C
21	Packing/L	DEC3416	
22	•••••		
23	Screw	BBZ30P060FTC	
24	Screw	PBH30P080FTB	
			D
			E
			F

12. PCB PARTS LIST

NOTES: ● Parts marked by "NSP" are generally unavailable because they are not in our Master Spare Parts List.

● The \triangle mark found on some component parts indicates the importance of the safety factor of the part. Therefore, when replacing, be sure to use parts of identical designation.

● When ordering resistors, first convert resistance values into code form as shown in the following examples.

Ex.1 When there are 2 effective digits (any digit apart from 0), such as 560 ohm and 47 k ohm (tolerance is shown by J = 5%, and K = 10%).

560 Ω \rightarrow 56 \times 10¹ \rightarrow 561.....RD1/APU $\begin{matrix} 5 & 6 & 1 \\ \hline \end{matrix}$ J
 47 k Ω \rightarrow 47 \times 10³ \rightarrow 473.....RD1/APU $\begin{matrix} 4 & 7 & 3 \\ \hline \end{matrix}$ J
 0.5 Ω \rightarrow R50.....RN2H $\begin{matrix} R & 5 & 0 \\ \hline \end{matrix}$ K
 1 Ω \rightarrow 1R0.....RS1P $\begin{matrix} 1 & R & 0 \\ \hline \end{matrix}$ K

Ex.2 When there are 3 effective digits (such as in high precision metal film resistors).

5.62 k Ω \rightarrow 562 \times 10¹ \rightarrow 5621.....RN1/4PC $\begin{matrix} 5 & 6 & 2 & 1 \\ \hline \end{matrix}$ F

● Meaning of the figures and others in the parentheses in the parts list.

Example) IC 301 is on the point (face A, 91 of x-axis, and 111 of y-axis) of the corresponding PC board.
 IC 301 (A, 91, 111) IC NJM2068V

Mark No.	Description	Part No.	Mark No.	Description	Part No.
LIST OF ASSEMBLIES					
NSP	1..MOTHER ASSY	DWM2464	NSP	1..SUB ASSY (SYXJ8, KXJ5, XJCN5)	DWM2471
	2..MAIN ASSY	DWX3360	NSP	1..SUB ASSY (UXJCB)	DWM2472
	2..USB1 ASSY	DWX3361	NSP	1..SUB ASSY (LXJ)	DWM2466
				2..ACSW ASSY	DWR1515
				2..TRANS ASSY (SYXJ8, KXJ5, XJCN5)	DWR1516
NSP	1..AUDIO ASSY	DWM2465		2..TRANS ASSY (UXJCB)	DWR1517
	2..REG ASSY	DWR1510		2..TRANS ASSY (LXJ)	DWR1512
	2..SEC/HP ASSY	DWR1511		2..PRIMARY ASSY (SYXJ8, KXJ5, XJCN5)	DWR1519
	2..INPUT ASSY	DWX3362		2..PRIMARY ASSY (UXJCB)	DWR1520
	2..HPJK ASSY	DWX3363		2..PRIMARY ASSY (LXJ)	DWR1509
	2..FAD1 ASSY	DWX3366		2..PNLB ASSY	DWX3365
	2..FAD2 ASSY	DWX3367		2..MIC1 ASSY	DWX3371
	2..FAD3 ASSY	DWX3368		2..MTRM ASSY	DWX3372
	2..FAD4 ASSY	DWX3369			
	2..FADC ASSY	DWX3370		1..PNLA ASSY	DWX3359

CONTRAST OF PCB ASSEMBLIES

P TRANS ASSY

DWR1516, DWR1517 and DWR1512 are constructed the same except for the following:

Mark	Symbol and Description	DWR1516	DWR1517	DWR1512
\triangle	JP3102 Board in jumper/2P	DDX1284	DDX1284	Not used
\triangle	JP3101 Board in jumper/3P	Not used	Not used	DDX1285

Q PRIMARY ASSY

DWR1519, DWR1520 and DWR1509 are constructed the same except for the following:

Mark	Symbol and Description	DWR1519	DWR1520	DWR1509
\triangle	T3001 Transformer	DTT1245	DTT1255	DTT1242
\triangle	S3001 Voltage selector	Not used	Not used	AKX7020
\triangle	CN3004 Connector	B2P3-VH	B2P3-VH	Not used
\triangle	CN3003 Connector (VH)	Not used	Not used	B3P5-VH

Mark No.	Description	Part No.	Mark No.	Description	Part No.
----------	-------------	----------	----------	-------------	----------

PARTS LIST (DJM-850-K/SYXJ8)

A INPUT ASSY

SEMICONDUCTORS

IC 4001,4201	NJM4580D
IC 4002-4005,4202-4205	NJM2121MD

IC 4401	NJM4565MD
IC 4601,4603	NJM4580MD
IC 4602	TC7SET04FUS1
Q 4001-4004,4201-4204	2SK209
Q 4005,4006,4205,4206	LTC114EUB
Q 4601	LTC124EUB

Mark	No.	Description	Part No.	Mark	No.	Description	Part No.	
A	IC	1604,1804,2004,2204	PCM1804DB		KN	1201-1206 WRAPPING TERMINAL	CKF1089	
	IC	1803,2003,2203	NJM4565MD	X	2601	CRYSTAL (24 MHz)	DSS1203	
	IC	2002,2201,2202	NJM4580MD	X	2801	RESONATOR (20 MHz)	CSS1795	
	IC	2401,2402	AK5358AET	X	3201	CRYSTAL(24.576 MHz)	DSS1204	
				CN	1001	24P CONNECTOR	VKN1428	
		IC	2601,2602	TC7SH08FUS1				
		IC	2603	ADSP-BF525BBCZ-5A	CN	1002	17P CONNECTOR	VKN1421
		IC	2604	M12L64164A-5TG2M	CN	1003	25P CONNECTOR	VKN1429
		IC	2802	DYW1807	CN	1004	22P CONNECTOR	VKN1426
		IC	2803	DYW1806	CN	1005	19P RECEPTACLE	AKP7199
B		IC	2804,3004-3006,3204	TC74VHC08FK				
		IC	3007	XC3S50A-4FTG256C	CN	2602	CONNECTOR	AKM1276
		IC	3008	DYW1808	CN	2801	CONNECTOR	VKN1933
		IC	3201	D810K013BZKB400	0		CANON SHIELD	DNF1789
	5TG2A	IC	3202	M12L2561616A-	0		PHONE SHIELD	DNF1875
					P	301,302	PROTECTOR (1 A)	AEK1073
		IC	3203	TC7SHU04FUS1				
		IC	3205	TC7SG08FU				
		IC	3405	AK4114VQ				
		Q	201,203,208-215	LTC124EUB				
C		Q	202,1204,1205,1403	LSC4081UB				
		Q	204,205,1402	LSA1576UB				
		Q	301-304,403,404	2SK209	R	317-324	RN1/16SE3001D	
		Q	305-308,401,402	INC2002AC1	R	333-340	RN1/16SE2701D	
		Q	405-408,509-516	INC2002AC1	R	341-344,403,404	RN1/16SE1002D	
		Q	505-508,601,602	2SK209	R	345-352	RN1/16SE5601D	
		Q	603,604	INC2002AC1	R	354-361	RN1/16SE6801D	
		Q	1201,1202,1206	HN1A01FU	R	362-365,419,422	DCN1200	
		Q	1207	HN1B04FU	R	367,368,371,372	RN1/16SE2201D	
		Q	1208	LTC114YUB	R	401,402,611,612	RS1/16SS3301D	
D		Q	1401,1405,2802,2803	LTC124EUB	R	405,406,409,410	RS1/16SS2202D	
		Q	1404	LSC4081UB	R	407,408,619,620	RS1/16SS2701D	
		Q	1406,2804	LTA124EUB	R	413,414	RS1/16SS2401D	
		Q	3401	2SC2412K	R	420,421	RN1/16SE1202D	
		D	201-204,302-305	DZ2S180C	R	423,424	RN1/16SE3302D	
		D	301,503,1202	1SS352	R	425,426	RS1/10SR100J	
		D	1201,1204,1205	1SS301	R	427,428,542,545	DCN1200	
		D	1203	1SR154-400	R	521,522	RN1/16SE5101D	
		D	1403	RB160L-40	R	523,524,527,528	RN1/16SE5102D	
		D	1406	CMS03	R	525,526	RN1/16SE4701D	
E		D	1601-1604,1801-1804	1SS302	R	529,530	RN1/16SE3901D	
		D	2001-2004,2201-2204	1SS302	R	541,543,544,546	RN1/16SE1102D	
		D	2401,2402	1SS302	R	547,549,550,552	RN1/16SE1102D	
		D	2403,2404	RB706F-40	R	548,551	DCN1200	
					R	554,555,558,559	RN1/16SE2201D	
					R	607,1019,2412,2413	RAB4CQ103J	
					R	613,614,617,618	RS1/16SS3002D	
		L	201 FERRITE CORE	VTF1093	R	615,616	RS1/16SS3001D	
		L	1401 INDUCTOR (470 UH)	DTL1123	R	621,622	RS1/4SA821J	
		L	1402,1403 POWER INDUCTOR	ATH7048	R	1075,1630,1631,1830	RS1/10SR0R0J	
F		L	1404 SMD SPL INDUCTOR	CTH1527	R	1205	RS1/16SS1602D	
		L	2601 COIL	ATH7015	R	1206	RS1/16SS4302D	
		L	2801 CHIP COIL	LCTAW330J2520				
		L	3201 INDUCTOR	CTF1579				
		F	2601,3001,3201 EMI FILTER	DTL1106	R	1210,1239	RS1/16SS4702D	
		JA	201,202 2P MINI JACK	VKN1034	R	1211	RS1/16SS6202D	
		JA	301,302 CANON CONNECTOR	DKB1093	R	1213,1428,1431,1440	RS1/16SS1002D	
		JA	401 JACK	DKB1083	R	1214	RS1/16SS1001D	
		JA	502,503 HEADPHONE JACK	DKN1622	R	1215	RS1/16SS2000D	
		JA	601,602 MIC JACK	DKN1614				
	JA	3401 1P JACK	DKB1089	R	1216	RS1/16SS8200D		
	KN	201 SCREW PLATE	VNE1948	R	1228-1230	RS1/4SA130J		
				R	1231	RS1/16SS2701D		
				R	1233,1240,1245	RS1/16SS3302D		

RESISTORS

Mark	No.	Description	Part No.	Mark	No.	Description	Part No.
R	1234,1429		RS1/16SS4701D	CAPACITORS			
R	1235		RS1/16SS2402D	C	202,1621,1821,2019		GCH1998
R	1236,1430		RS1/16SS2202D	C	203,222,231-238		CKSSYB104K10
R	1242,1253		RS1/16SS1003D	C	204,209,214,217		CKSSYB102K50
R	1244		RS1/16SS1202D	C	206,211,212,601		CKSSYB103K16
R	1247		RS1/16SS6201D	C	208,1203,1207,1212		CKSSYB103K25
R	1248		RS1/16SS7500D	C	213,216,219,1408		CKSRYP105K10
R	1252		RS1/16SS8202D	C	215,218,220,401		CEVW100M16
R	1403		RS1/10SR152J	C	249,605,1005,1201		CKSSYB102K50
R	1404,1405		RS1/8SQ1R5J	C	301-304		CCSRCH222J50
R	1407		RS1/10SR3902D	C	305-308,523,524		CCSRCH471J50
R	1408		RS1/10SR1501D	C	309-316		CCSSCH680J50
R	1412,1413,1435		RS1/10SR220J	C	317,321,335,348		CEHVAW101M25
R	1415		RS1/10SR183J	C	318-320,322,337		CKSRYP104K25
R	1421-1425		RS1/10SR153J	C	323-326		CEHVAW471M16
R	1426		RS1/16SS7501D	C	327-330		CKSSYB473K16
R	1427		RS1/16SS3902D	C	338,339,344,345		CCSSCH101J50
R	1438		RS1/16SS2200D	C	340,343,346,409		CKSRYP104K25
R	1439		RS1/16SS3301D	C	349-352,531-534		CCSSCH101J50
R	1601-1608,1801-1808		RN1/16SE1002D	C	355-358		CEANP470M25
R	1609-1612,1809-1812		RN1/16SE1101D	C	359-362,427-430		CFHXSQ472J16
R	1613-1616,1813-1816		RN1/16SE2200D	C	402,566,567,608		CEVW100M16
R	1617-1628,1817-1828		RN1/16SE2401D	C	403,404		CCSQCH472J50
R	1831,2030,2031,2230		RS1/10SR0R0J	C	405,406		CCSRCH821J50
R	2001-2008,2201-2208		RN1/16SE1002D	C	407,408,614,617		CKSRYP3334K10
R	2009-2012,2209-2212		RN1/16SE1101D	C	410,412,417,422		CCG1236
R	2013-2016,2213-2216		RN1/16SE2200D	C	411,419,420,528		CKSRYP104K25
R	2017-2028,2217-2228		RN1/16SE2401D	C	413,414		CCSSCH560J50
R	2231,2405,2408,2409		RS1/10SR0R0J	C	415,416,622,623		CKSRYP102K50
R	2407,2411,2601,2604		RS1/8SQ0R0J	C	423-426,553-556		CEVWNP100M35
R	2426,2606-2608,2611		RS1/10SR0R0J	C	521,522,612,613		CCSRCH272J50
R	2627-2632,3217-3219		RAB4CQ820J	C	525,526		CCSSCH270J50
R	2634,2843		RAB4CQ103J	C	527,530,535,541		CCG1236
R	2642-2645,3202,3203		RAB4CQ680J	C	529,561-564,616		CKSRYP104K25
R	2647-2650,2652,2660		RAB4CQ470J	C	543-546,1405		CCSSCH101J50
R	2657,2808,2861,2862		RS1/10SR0R0J	C	549-552,626,627		CFHXSQ472J16
R	2664-2666,3224,3225		RAB4CQ470J	C	557-560		CCSSCH471J50
R	2668,3037,3209		RS1/8SQ0R0J	C	602,607,1004		DCH1201
R	2803		RS1/10SR474J	C	603,604,1001,1003		CKSSYB104K10
R	2818		RAB4CQ222J	C	606,1002,1006,1204		CKSSYB103K16
R	2824,2835,2871,3038		RAB4CQ220J	C	609,1626,1629,1635		CEVW100M16
R	2827,2845,2850,2863		RAB4CQ0R0J	C	610,611		CCSQCH822J50
R	2864		RAB4CQ0R0J	C	615,621,1211,1404		CCG1236
R	2870,3226,3230,3427		RS1/10SR0R0J	C	618,620		CCSSCH820J50
R	3039		RAB4CQ220J	C	619,1008,1209,1406		CKSRYP104K25
R	3042,3046,3050,3063		RAB4CQ330J	C	624,625		CEVWNP100M35
R	3057,3058,3264,3265		RAB4CQ101J	C	1007		CEVW221M25
R	3093-3096,3201,3204		RAB4CQ330J	C	1009-1011,1202,1214		CKSSYB104K10
R	3205,3206		RAB4CQ680J	C	1012,1216,1461		CKSRYP104K50
R	3207,3208,3211,3212		RAB4CQ330J	C	1205,1206,1208,1410		CCSSCH102J50
R	3216		RAB4CQ330J	C	1210,1229-1232,1627		CKSSYB102K50
R	3221-3223		RAB4CQ820J	C	1215,1233-1242,1464		CKSSYB103K16
R	3228,3229		RAB4CQ470J	C	1217-1228,1402,1407		CKSSYB104K10
R	3231		RS1/10SR105J	C	1403		CEVW101M25
R	3240		RAB4CQ102J	C	1409,1438,2801,2809		CKSRYP105K10
R	3423		RN1/16SE1802D	C	1411,1417,1430,1431		CCSSCH102J50
R	3432		RS1/10SR680J	C	1413,1415,1434		CCG1236
Other Resistors			RS1/16SS###J	C	1416		CEVW101M50
				C	1418,1419,1422,1423		CKSSYB104K10
				C	1420		CKSSYB223K16

Mark	No.	Description	Part No.
------	-----	-------------	----------

Mark	No.	Description	Part No.
------	-----	-------------	----------

A	C	1421	CKSSYB333K16
	C	1424-1427,1435,1441	DCH1201
	C	1428,1429,1436,1437	CKSSYB104K10
	C	1432	CEHVV101M10
	C	1433	CEHVV101M6R3
	C	1439,1448,1451,1453	CCSSCH102J50
	C	1440,1442-1444,1447	CKSSYB104K10
	C	1445,1446,2405,2408	DCH1201
	C	1449,3035	CCH1565
	C	1450,1452,1454,1456	CKSRYB104K25
	C	1455,1457,2636	CCSSCH102J50
B	C	1465,1605-1608	CKSRYB104K25
	C	1613-1616,1813-1816	CCSSCH101J50
	C	1617,1618,1817,1818	CEVW470M25
	C	1620,1622,1623,1625	CKSSYB104K10
	C	1624,1631,1824,1831	CKSSYB272K50
	C	1628,1636,1827,1828	CKSSYB102K50
	C	1630,1633,1634,1820	CKSSYB104K10
	C	1632,1637,1832,1836	CKSSYB103K16
	C	1805-1808,2005-2008	CKSRYB104K25
	C	1822,1823,1825,1830	CKSSYB104K10
C	C	1826,1829,1835,2024	CEVW100M16
	C	1833,1834,2018,2020	CKSSYB104K10
	C	1837,2025,2026,2034	CKSSYB102K50
	C	2013-2016,2213-2216	CCSSCH101J50
	C	2021,2023,2028,2031	CKSSYB104K10
	C	2022,2029,2222,2229	CKSSYB272K50
	C	2027,2033,2224,2227	CEVW100M16
	C	2030,2035,2230,2235	CKSSYB103K16
	C	2032,2218,2220,2221	CKSSYB104K10
	C	2205-2208	CKSRYB104K25
D	C	2219	CCH1998
	C	2223,2228,2231,2232	CKSSYB104K10
	C	2225,2226,2234,2418	CKSSYB102K50
	C	2233	CEVW100M16
	C	2401-2404	CEVW100M50
	C	2406,2407,2412,2413	CKSSYB104K10
	C	2410,2411,2414,2415	DCH1201
	C	2416,2417,2601,2602	CKSSYB104K10
	C	2419,2421,2423,2424	CKSSYB103K16
	C	2422,2615,2617,2621	CKSSYB102K50
	C	2603,3020	CEVW101M16
	C	2605,2606,2614,2619	DCH1201
	C	2607,2608,2611,2612	CKSSYB104K10
E	C	2609,2610,2819-2827	CKSSYB471K50
	C	2616,2620,2622,2624	CKSSYB104K10
	C	2618,3253,3254	CCSSCH120J50
	C	2623,2625,2627,2629	CKSSYB102K50
	C	2626,2628,2630,2632	CKSSYB104K10
	C	2631	CCSSCH100D50
	C	2633,2638,2640,2644	CKSSYB103K16
	C	2634,2671,2814,2815	CKSSYB102K50
	C	2635,2637,2639,2642	CKSSYB104K10
	C	2641,2645,3010-3012	CCSSCH101J50
	C	2643,2647,2649	CKSSYB104K10
F	C	2646,2648,2653-2657	CKSSYB103K16
	C	2661,2662,2670,2802	CKSSYB103K16
	C	2804,2805	CCSSCH6R0D50
	C	2808,3021,3036,3242	DCH1201

C	2810-2812,2829,2831	CKSSYB104K10
C	2813,3044,3209-3211	CKSSYB103K16
C	2817,3014,3016,3018	CKSSYB102K50
C	2833,3013,3015,3017	CKSSYB104K10
C	3019,3022-3034	CKSSYB104K10
C	3037-3043,3201,3202	CKSSYB104K10
C	3203	CEVW470M6R3
C	3204	CEVW101M4
C	3205,3206,3252,3255	CKSSYB104K10
C	3207,3208	CKSSYB471K50
C	3212,3214,3216,3218	CKSSYB102K50
C	3213,3215,3217,3219	CKSSYB103K16
C	3220,3222,3224,3226	CKSSYB102K50
C	3221,3223,3225,3227	CKSSYB103K16
C	3228,3230,3232,3234	CKSSYB102K50
C	3229,3231,3233,3235	CKSSYB103K16
C	3236,3251,3256	CKSSYB102K50
C	3237,3239,3243-3249	CKSSYB103K16
C	3238,3250,3257	CCSSCH101J50
C	3240	CKSSYB105K6R3
C	3258,3262,3263,3405	CKSSYB103K16
C	3260,3261,3404,3406	CKSSYB104K10
C	3407,3411,3413,3414	CKSSYB104K10
C	3408,3409,3415,3417	DCH1201
C	3410	CKSRYB474K10
C	3412,3416	CKSSYB103K16
C	3418	CKSSYB104K10

SEC/HP ASSY SEMICONDUCTORS

IC 1	S-80927CNMC-G8X
IC 101	NJM4565MD
IC 102	NJM4580D
Q 101,102	2SK209
Q 103,104	INC2002AC1
Q 105,107	KTC3209
Q 106,108	KTA1281
D 1,2	RB060L-40
D 3,4,7,8	RB160L-40
D 5,6,9,10	1SR154-400
D 11,12	RB160L-40
TH 1,2	PTGL05AS3R9K2B51

MISCELLANEOUS

KN 1,2,101 EARTH TERMINAL	AKF7002
CN1 CONNECTOR	B13B-EH
CN2,101 PLUG (4P)	KM200NA4
CN3 19P PLUG	AKM7077
CN4 10PJUMPER CONNECTOR	52147-1010
P 101 POLYSWITCH	RXEF075P

RESISTORS

R 4	RS1/10SR1102D
R 5	RS1/10SR1302D
R 20	RS1/4SA0R0J
R 21,24,25,136	RS1/8SQ0R0J
R 101-104	RN1/16SE3901D
R 105-108	RN1/16SE1502D
R 109-112	RN1/16SE3301D
R 114,115	RN1/16SE5601D

Mark	No.	Description	Part No.	Mark	No.	Description	Part No.
R	120,121		RN1/16SE3001D	Q	6601,6638-6649		LSA1576UB
R	126,127		RD1/2VM471J	Q	6602		2SC5712
R	128,129		RN1/16SE1001D	Q	6604		LTA114EUB
R	130-133		RS2LMF330J	Q	6605-6619,6621		LSC4081UB
R	138,139,141		RS1/8SQOR0J	Q	6622,6624,6626,6628		LTC143EUB
	Other Resistors		RS1/10SR###J	Q	6623,6625,6627,6629		2SB1689
				Q	6630,6632,6634,6636		LTC143EUB
CAPACITORS							
C	1-11		CKSRYB473K50	Q	6631,6633,6635,6637		2SB1689
C	13-15,17-23		CCSRCH102J50	Q	6650		LTA143EUB
C	24		CEAT682M16	Q	6655-6658		LSA1576UB
C	25		CEAT682M25	D	6601,6625,6628-6631		SLI-343YYW(TUV)
C	27,29,37,38		CKSRYB103K50	D	6624,6735		SLI-343U8RC(HJKL)
C	28,107,108,115		CKSRYB104K25	D	6626,6627,6643,6644		SLI-343U8R(HJK)
C	30		CKSRYB102K50	D	6632-6640,6649-6657		SLR-343MC(NPQ)
C	31,32		CEAT332M35	D	6641,6642,6645-6648		SLI-343YYW(TUV)
C	35,36		CEAT102M25	D	6658,6661-6664		SLI-343YYW(TUV)
C	45,46,49,51		CKSRYB103K50	D	6659,6660,6678,6679		SLI-343U8R(HJK)
C	47,48		CEAT101M25	D	6665-6673,6684-6692		SLR-343MC(NPQ)
C	50		CEAT101M16	D	6674-6677,6680-6683		SLI-343YYW(TUV)
C	52		CKSRYB103K50	D	6693-6695,6698-6701		SLI-343YYW(TUV)
C	101,102,112,113		CCSRCH471J50	D	6696,6697,6711,6712		SLI-343U8R(HJK)
C	103-106		CCSRCH101J50	D	6702-6710,6717-6725		SLR-343MC(NPQ)
C	109,110		CEANP100M35	D	6713-6716,6727-6731		SLI-343YYW(TUV)
C	114,117		CEAT100M50	D	6726,6734,6736-6741		SLR343BC4T(JK)
C	116		CKSRYB104K25	D	6732		SLR343EC4T(LMN)
C	120,125		DCH1165	D	6742-6747,6749-6760		1SS352
C	121-124		CKSRYB104K16	D	6762,6763,6771-6778		1SS352
C	126,127		CEANP221M16	MISCELLANEOUS			
				L	6601 CHIP COIL		LCTAW330J2520
				V	6601 VFD		DEL1071
				VR	6601 VARIABLE RESISTOR		DCS1100
				VR	6602 POTENTIOMETER		DCS1097
				VR	6603-6606 VARIABLE RESISTOR		DCS1100
				VR	6607 POTENTIOMETER		DCS1096
				VR	6608,6609 VARIABLE RESISTOR		DCS1100
				VR	6610,6615,6619 POTENTIOMETER		DCS1095
				VR	6611-6614 VARIABLE RESISTOR		DCS1100
				VR	6616-6618 VARIABLE RESISTOR		DCS1100
				VR	6620 POTENTIOMETER		DCS1095
				VR	6621-6624 ROTARY VR		DCS1086
				S	6601-6608,6617-6620 TACT SWITCH		DSG1079
				S	6612-6616 LEVER SWITCH		DSK1026
				S	6621 SLIDE SWITCH		DSH1066
				S	6622 ROTARY ENCODER		DSX1068
				S	6623-6625,6627,6628 TACT SWITCH		DSG1079
				S	6631-6634,6641-6644 TACT SWITCH		DSG1079
				X	6601 CRYSTAL RESONATOR (20 MHz)		VSS1167
				CN	6601 24P CONNECTOR		VKN1255
				CN	6602 17P CONNECTOR		VKN1248
				CN	6603 27P CONNECTOR		VKN1258
				CN	6609 PLUG (3P)		KM200NA3Y
				CN	6610 PLUG (3P)		KM200NA3R
				CN	6611 PLUG (3P)		KM200NA3
				CN	6612 PLUG (3P)		KM200NA3E
				0	FL HOLDER		DNF1869
				RESISTORS			
				R	6616		RS1/10SR1202F
				R	6617		RS1/10SR8201D
				R	6884,6896-6899		RS1/4SA100J

F USBI ASSY

MISCELLANEOUS

JA 3801 USB CONNECTOR
KN 3801 WRAPPING TERMINAL
CN 3801 L-PLUG (5P)

CAPACITORS

C 3801,3802
C 3803,3806
C 3805

G HPJK ASSY

MISCELLANEOUS

JA 9201 HEADPHONE JACK
CN 9201 L-PLUG (4P)
0 PHONE SHIELD

RESISTORS

All Resistors
RS1/10SR###J

CAPACITORS

C 9203,9204
C 9205

H PNLA ASSY

SEMICONDUCTORS

IC 6601
IC 6602-6604
IC 6605

Mark	No.	Description	Part No.
	R	6901-6905 Other Resistors	RS1/4SA100J RS1/10SR###J
A	CAPACITORS		
	C	6601,6602,6608,6645	CEAT101M16
	C	6603,6604,6609,6611	CKSRYB104K16
	C	6606,6622	CCSRCH102J50
	C	6607,6623,6629,6640	CKSRYB103K50
	C	6610,6612	CKSRYB104K50
	C	6614-6617	CCSRCH101J50
	C	6618,6619,6624,6625	CKSRYB104K16
	C	6620,6621	CCG1205
	C	6626,6631	CKSRYB105K10
	C	6627	DCH1201
B	C	6628,6630,6632,6633	CKSRYB104K16
	C	6634,6635	CCSRCH6R0D50
	C	6641-6644,6654-6663	CKSRYB104K16
	C	6664-6675,6685-6696	CKSRYB471K50
	C	6676,6679,6680	CKSRYB104K16
	C	6697-6719	CKSRYB104K16
	C	6720-6725	CKSRYB103K50
	C	6728	CCG1255

I PNLB ASSY

SEMICONDUCTORS

Q	7002	LSC4081UB
D	7005,7007	SLI-343YYW(TUV)
D	7012-7027	1SS352

MISCELLANEOUS

VR	7001,7004	POTENTIOMETER	DCS1096
VR	7002	POTENTIOMETER	DCS1097
VR	7003	VARIABLE RESISTOR	DCS1100
S	7001	12MM GS ENCODER	DSX1064
S	7002	ROTARY SWITCH	DSG1098

D	S	7007	TACT SWITCH	DSG1079
	S	7008,7014	SLIDE SWITCH	DSH1066
	S	7009-7013,7015	SLIDE SWITCH	DSH1058
	CN	7001	27P CONNECTOR	VKN1258
	CN	7002	PLUG (3P)	KM200NA3

RESISTORS

		All Resistors	RS1/10SR###J
--	--	---------------	--------------

CAPACITORS

C	7002,7005,7008,7010	CKSRYB104K16
C	7004,7006	CEAT470M25
C	7007,7009	CKSRYB103K50
C	7012,7015,7016,7018	CKSRYB104K16

J FADC ASSY

MISCELLANEOUS

VR	8001	VARIABLE RESISTOR	DCV1006
CN	8001	L-PLUG (3P)	KM200NA3L

RESISTORS

		All Resistors	RS1/10SR###J
--	--	---------------	--------------

Mark	No.	Description	Part No.
	K	FAD1 ASSY	
		MISCELLANEOUS	
	VR	7201	SLIDE VR
	CN	7201	PLUG (3P)
			DCV1027
			KM200NA3

L FAD2 ASSY

MISCELLANEOUS

VR	7401	SLIDE VR	DCV1027
CN	7401	PLUG (3P)	KM200NA3R

M FAD3 ASSY

MISCELLANEOUS

VR	7601	SLIDE VR	DCV1027
CN	7601	PLUG (3P)	KM200NA3E

N FAD4 ASSY

MISCELLANEOUS

VR	7801	SLIDE VR	DCV1027
CN	7801	PLUG (3P)	KM200NA3Y

O REG ASSY

SEMICONDUCTORS

⚠	IC	5001	BA05T
⚠	IC	5002	NJM7815FA
⚠	IC	5003	NJM7915FA
	D	5004,5005	RB501V-40

MISCELLANEOUS

CN	5001	10PJUMPER CONNECTOR	52147-1010
----	------	---------------------	------------

CAPACITORS

C	5001-5003,5010,5011	CKSRYB103K50
C	5004-5006	CKSRYB104K16
C	5007	CCG1205
C	5008,5009	CKSQYB105K25
C	5013,5014,5016	CKSRYB102K50
C	5015	CKSRYB103K50

P TRANS ASSY

MISCELLANEOUS

⚠	JP	3102	BOARD IN JUMPER/2P	DDX1284
---	----	------	--------------------	---------

CAPACITORS

C	3101-3104,3106,3107	CKSRYB104K50
C	3110,3111	CKSRYB104K50

Q PRIMARY ASSY

SEMICONDUCTORS

Q	3001	KTC3209	
D	3001	1SS302	
D	3002	1SS352	
⚠	D	3003-3006	1SR154-400

MISCELLANEOUS

⚠	L	3001	FILTER	DTL1131
	H	3001,3002	FUSE CLIP	AKR1004

Mark	No.	Description	Part No.
	KN3001	EARTH TERMINAL	AKF7002
⚠	RY3001	RELAY	ASR7029
⚠	T 3001	TRANSFORMER (SY)	DTT1245
⚠	CN3001	AC CODE SOCKET	RKP1751
⚠	CN3002,3004	CONNECTOR	B2P3-VH
	JP 3001	CONNECTOR ASSY	PF03PG-Q07

A

RESISTORS

R 3002	RS1/10SR330J
Other Resistors	RS1/10SR####F

CAPACITORS

⚠ C 3001	ACE7027
⚠ C 3003	ACG7030
C 3004,3005	CKSRYB473K50
C 3006	CEAT222M25
C 3007	CKSRYB103K50

B

R ACSW ASSY**MISCELLANEOUS**

⚠ S 9401	SWITCH	DSA1037
⚠ 0	MASK	DEC3212
⚠ JP 9401	CONNECTOR ASSY 2P	DKP3847

CAPACITORS

⚠ C 9401	ACG7030
----------	---------

C

D

E

F