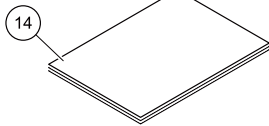
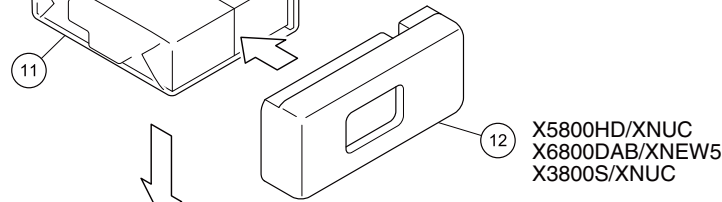
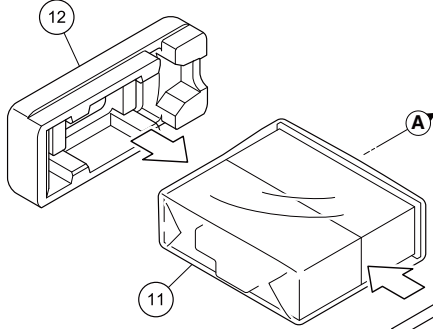


9. EXPLODED VIEWS AND PARTS LIST

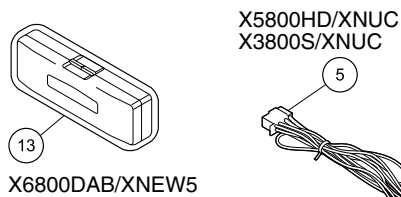
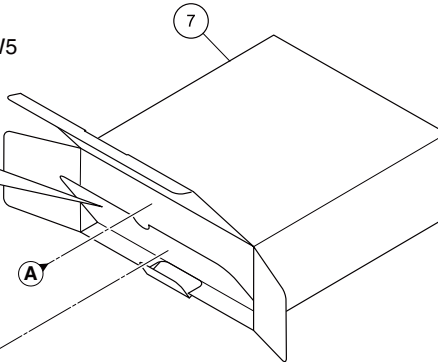
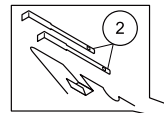
- NOTES :**
- Parts marked by "*" are generally unavailable because they are not in our Master Spare Parts List.
 - The ⚠ mark found on some component parts indicates the importance of the safety factor of the part. Therefore, when replacing, be sure to use parts of identical designation.
 - Screw adjacent to ∇ mark on the product are used for disassembly.
 - For the applying amount of lubricants or glue, follow the instructions in this manual.
(In the case of no amount instructions, apply as you think it appropriate.)

9.1 PACKING

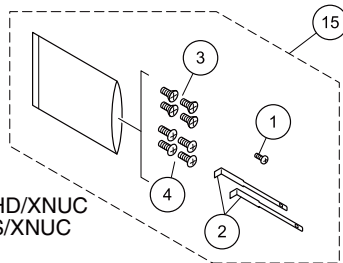
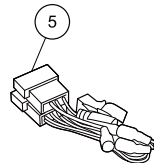
X5800HD/XNUC
X6800DAB/XNEW5
X3800S/XNUC



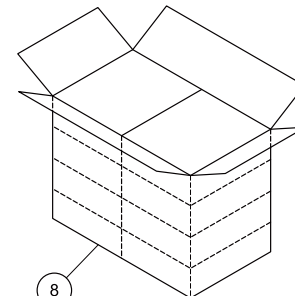
X6800DAB/XNEW5



X6800DAB/XNEW5



X5800HD/XNUC
X3800S/XNUC



X5800HD/XNUC
X6800DAB/XNEW5
X3800S/XNUC

(1) PACKING SECTION PARTS LIST

<u>Mark No.</u>	<u>Description</u>	<u>Part No.</u>	<u>Mark No.</u>	<u>Description</u>	<u>Part No.</u>
1	Screw	See Contrast table (2)	10	
2	Handle	QNC3021			
3	Screw	See Contrast table (2)	11	Polyethylene Bag	See Contrast table (2)
4	Screw	See Contrast table (2)	12	Protector	See Contrast table (2)
5	Cord Assy	See Contrast table (2)	13	Case Assy	See Contrast table (2)
			*	14-1 Warranty Card	See Contrast table (2)
6	Card Remote Control Unit	See Contrast table (2)	14-2	Owner's Manual	See Contrast table (2)
7	Unit Box	See Contrast table (2)			
8	Contain Box	See Contrast table (2)	*	14-3 Caution Card	See Contrast table (2)
9		15	Accessory Assy	See Contrast table (2)

(2) CONTRAST TABLE

DEH-X5800HD/XNUC, DEH-X6800DAB/XNEW5 and DEH-X3800S/XNUC are constructed the same except for the following:

<u>Mark</u>	<u>No.</u>	<u>Description</u>	<u>DEH-X5800HD/ XNUC</u>	<u>DEH-X6800DAB/ XNEW5</u>	<u>DEH-X3800S/ XNUC</u>
	1	Screw	BPZ20P060FTC	Not used	BPZ20P060FTC
	3	Screw	CBA2383	Not used	CBA2383
	4	Screw	CBA2384	Not used	CBA2384
	5	Cord Assy	CDP1484	QDP3073	CDP1484
	6	Card Remote Control Unit	QXE1047	Not used	QXE1047
	7	Unit Box	QHG3849	QHG3848	QHG3851
	8	Contain Box	QHL3849	QHL3848	QHL3851
	11	Polyethylene Bag	CEG1173	QEG3001	CEG1173
	12	Protector	CHP4594	CHP4594	CHP4594
	13	Case Assy	Not used	QXA3129	Not used
*	14-1	Warranty Card	QRY3001	CRY1376	QRY3001
	14-2	Owner's Manual	QRD3316	QRD3315	QRD3311
*	14-3	Caution Card	Not used	CRP1481	Not used
	15	Accessory Assy	QEA3337	Not used	QEA3337

Owner's Manual

<u>Part No.</u>	<u>Language</u>
QRD3311	English, French, Spanish(Espanol)
QRD3315	English, French, Italian, Spanish(Espanol), German, Dutch, Russian
QRD3316	English, French, Spanish(Espanol)

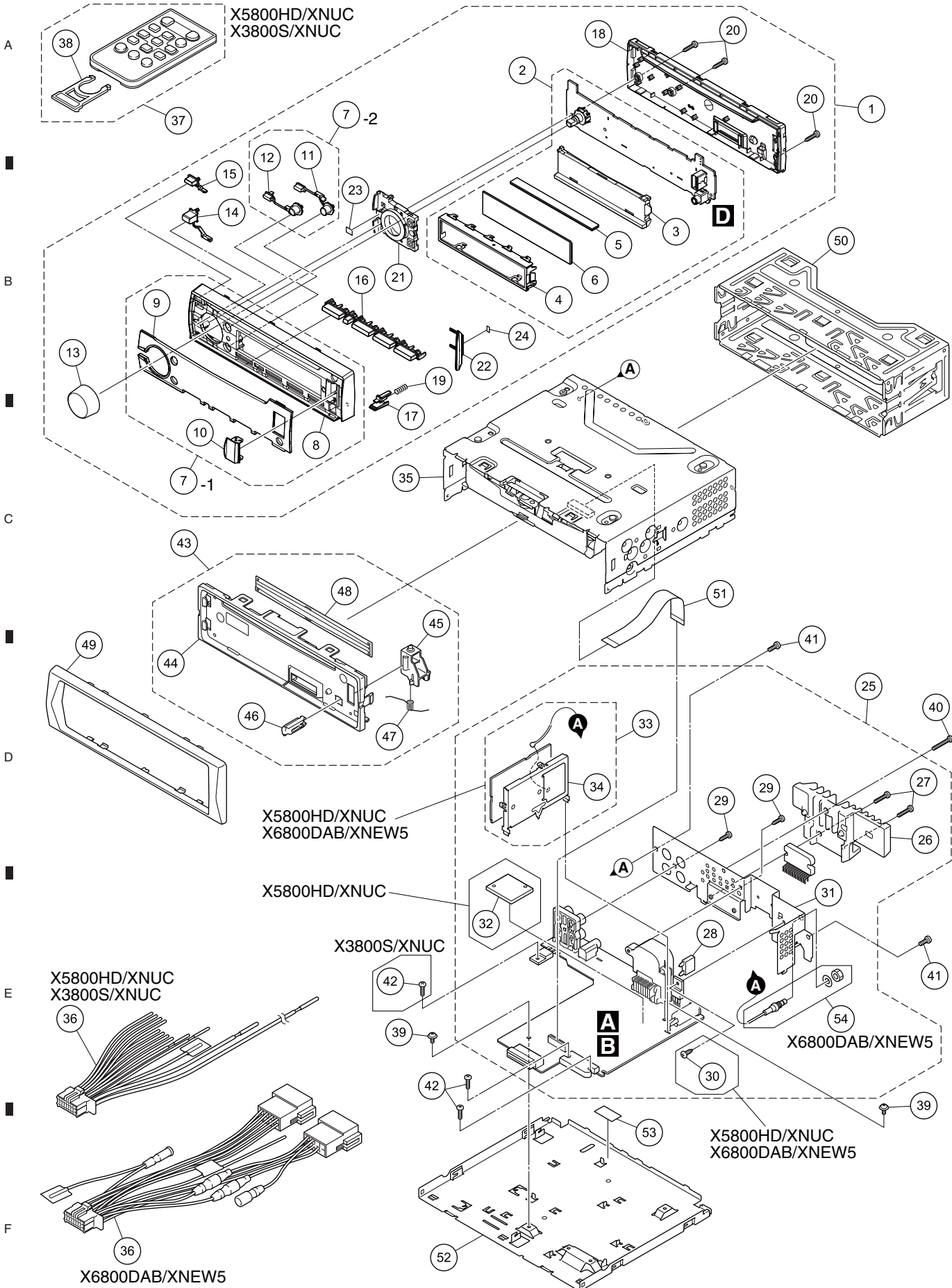
9.2 EXTERIOR

1

2

3

4




1

2

3

4

(1) EXTERIOR SECTION PARTS LIST

<u>Mark No.</u>	<u>Description</u>	<u>Part No.</u>	<u>Mark No.</u>	<u>Description</u>	<u>Part No.</u>
1	Detach Grille Assy	See Contrast table (2)	29	Screw	BPZ26P080FTC
2	Keyboard Unit	See Contrast table (2)	30	Screw	See Contrast table (2)
3	Lighting Conductor	QNV3121			
4	Holder	QNC3088	31	Holder	See Contrast table (2)
5	Rubber Connector	QNV3079	32	Shield Case	See Contrast table (2)
			33	BE Core Unit (U461)	See Contrast table (2)
6	LCD (V1801)	CAW2041	34	Holder	See Contrast table (2)
7	Grille Unit	See Contrast table (2)	35	CD Mechanism Module (11.6VA_T07)	CXK5808
8	Grille	See Contrast table (2)			
9	Plate	See Contrast table (2)			
10	Door	QAT3013	36	Cord Assy	See Contrast table (2)
			37	Card Remote Control Unit	See Contrast table (2)
11	Button (LIST)	QAC3217	38	Cover	See Contrast table (2)
12	Button (BACK)	QAC3218	39	Screw	ASZ26P050FTC
13	Knob Unit	See Contrast table (2)	40	Screw	BSZ26P120FTC
14	Button	See Contrast table (2)			
15	Button (EJECT)	QAC3166	41	Screw	BSZ26P060FTC
			42	Screw	BSZ26P080FTC
16	Button (TRACK, DISP, 1-6)	QAC3219	43	Panel Assy	See Contrast table (2)
17	Button (DETACH)	QAC3171	44	Panel	QNS3126
18	Cover	QNS3701	45	Arm	QNV3025
19	Spring	CBH2210			
20	Screw	BPZ20P100FTC	46	Button	QNV3026
			47	Spring	QBH3001
21	Lighting Conductor	QNV3116	48	Cover	QNM3029
22	Lighting Conductor	QNV3095	49	Panel	QNS3576
23	Sheet	QNM3123	50	Holder	QNC3020
24	Sheet	QNM3124			
25	Tuner Amp Unit	See Contrast table (2)	51	FFC	QDE3029
			52	Case	See Contrast table (2)
26	Heat Sink	QNR3010	53	Sheet	QNM3130
27	Screw	BSZ26P120FTC	54	Antenna Cable Assy	See Contrast table (2)
 28	Fuse (10 A)	YEK5001			

(2) CONTRAST TABLE

DEH-X5800HD/XNUC, DEH-X6800DAB/XNEW5 and DEH-X3800S/XNUC are constructed the same except for the following:

Mark	No.	Description	DEH-X5800HD/ XNUC	DEH-X6800DAB/ XNEW5	DEH-X3800S/ XNUC
	1	Detach Grille Assy	QXA4574	QXA4573	QXA4576
	2	Keyboard Unit	QWM4118	QWM4117	QWM4118
	7	Grille Unit	QXA4557	QXA4556	QXA4559
	8	Grille	QNS4024	QNS4023	QNS3959
	9	Plate	QNS4011	QNS4010	QNS4013
	13	Knob Unit	CXE3692	QXA3694	CXE3692
	14	Button	QAC3173 (MIX)	QAC3172 (DAB)	QAC3173 (MIX)
	25	Tuner Amp Unit	QWM4116	QWM4115	QWM4114
	30	Screw	BSZ26P060FTC	BSZ26P060FTC	Not used
	31	Holder	QNC3078	QNC3077	QNC3076
	32	Shield Case	QNC3107	Not used	Not used
	33	BE Core Unit (U461)	CWE2518	CWE2534 (WWR Tuner Unit)	Not used
	34	Holder	CND7288	CND7288	Not used
	36	Cord Assy	CDP1484	QDP3073	CDP1484
	37	Card Remote Control Unit	QXE1047	Not used	QXE1047
	38	Cover	CNS7068	Not used	CNS7068
	43	Panel Assy	QXA3261	QXA3261	QXA3261
	52	Case	QNB3036	QNB3036	QNB3020
	54	Antenna Cable Assy	Not used	QXA4122	Not used

9.3 CD MECHANISM MODULE

A

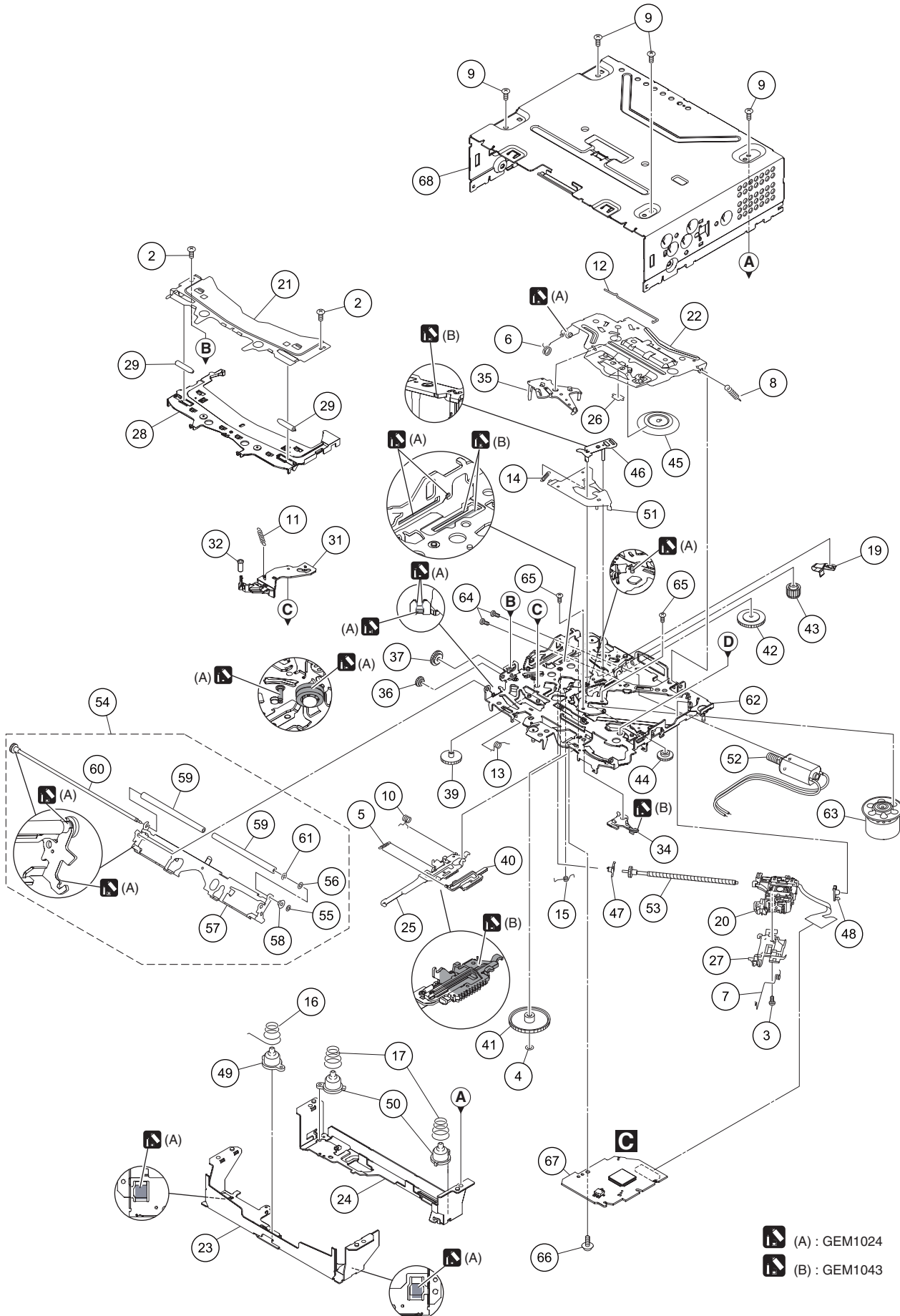
B

C

D

E

F



(A) : GEM1024
 (B) : GEM1043

DEH-X5800HD/XNUC

CD MECHANISM MODULE SECTION PARTS LIST

<u>Mark No.</u>	<u>Description</u>	<u>Part No.</u>	<u>Mark No.</u>	<u>Description</u>	<u>Part No.</u>
1		50	Damper	CNW1198
2	Screw	BSZ20P040FTC	51	Arm	CNW1726
3	Screw(M2 x 4)	CBA1835	52	Motor Unit(M2)(LOAD/CRG)	CXC4026
4	Washer	CBF1038	53	Screw Unit	CXC8894
5	Spring	CBH3010	54	Arm Assy	CXE6232
6	Spring	CBH2855	55	Washer	CBF1037
7	Spring	CBH2856	56	Washer	CBF1038
8	Spring	CBH2860	57	Arm	CND6242
9	Screw	BSZ26P060FTC	58	Collar	CNW2444
10	Spring	CBH3011	59	Roller	CNW2500
11	Coil Spring	CBH3095	60	Gear Unit	CXE6225
12	Spring	CBH3014	61	Washer	YE15FTC
13	Spring	CBH3015	62	Chassis Unit	CXE4528
14	Spring	CBH3016	63	Motor Unit(M1)(SPDL)	CXE2273
15	Spring	CBH3017	64	Screw	JFZ20P025FTC
16	Spring	CBH3086	65	Screw	JGZ17P022FTC
17	Spring	CBH3019	66	Screw	EBA1028
18		67	CD Core Unit (S11.6VA)	CWX4269
19	Leaf Spring	CBL1824	68	Chassis	CNA3373
20	PU Unit(P11)(Service)	CXX4754			
21	Bracket	CND4553			
22	Arm	CND6406			
23	Bracket	CND6127			
24	Bracket	CND5710			
25	Lever	CND5398			
26	Sheet	CNN3678			
27	Rack	CNV8342			
28	Guide	CNW2240			
29	Roller	CNW1172			
30				
31	Arm	CNW2241			
32	Roller	CNW1175			
33				
34	Arm	CNW1177			
35	Arm	CNW1178			
36	Gear	CNW1180			
37	Gear	CNW1181			
38				
39	Gear	CNW1183			
40	Rack	CNW1184			
41	Gear	CNW1185			
42	Gear	CNW1186			
43	Gear	CNW1187			
44	Gear	CNW2287			
45	Clamper	CNW1190			
46	Arm	CNW1192			
47	Holder	CNW1193			
48	Holder	CNW1194			
49	Damper	CNW1197			

12. ELECTRICAL PARTS LIST

NOTE:

- Parts whose parts numbers are omitted are subject to being not supplied.
- The part numbers shown below indicate chip components.

Chip Resistor

RS1/○S○○○○J,RS1/○○S○○○○J

Chip Capacitor (except for CQS.....)

CKS....., CCS....., CSZS.....

- The \triangle mark found on some component parts indicates the importance of the safety factor of the part. Therefore, when replacing, be sure to use parts of identical designation.
- Meaning of the figures and others in the parentheses in the parts list.

Example) IC 301 is on the point (face A, 91 of x-axis, and 111 of y-axis) of the corresponding PC board.

IC 301 (A, 91, 111) IC NJM2068V

- The expression of the unit in this manual is shown by u instead of μ . Please do not make a mistake.

	<u>Circuit Symbol and No.</u>	<u>Part No.</u>	<u>Circuit Symbol and No.</u>	<u>Part No.</u>
B:DEH-X5800HD/XNUC			IC 671 (A,111,70) IC	S-80827CNMC-B8M
C:DEH-X6800DAB/XNEW5			IC 681(NSP)(A,93,106) FlashROM Unit (B)	QWW3912
D:DEH-X3800S/XNUC			IC 681(NSP)(A,93,106) FlashROM Unit (C)	QWW3911
			IC 801 (A,103,21) L-MOS And Gate	TC7SET08FUS1
			IC 911 (A,144,28) Regulator IC	BA49183-V12
Unit Number: QWM4116(B)			Q 251 (A,13,129) Transistor	EMH53
Unit Number: QWM4115(C)			Q 252 (A,23,130) Transistor	EMH53
Unit Name : Tuner Amp Unit			Q 301 (A,49,130) Transistor	EMD52
			Q 401 (A,131,78) Bipolar TR(B)	MMBT2369L
			Q 402 (A,131,81) Bipolar TR(B)	MMBT2369L
Unit Number: QWM4114(D)			Q 403 (A,136,78) Bipolar TR(B)	MMBT2369L
Unit Name : Tuner Amp Unit			Q 404 (A,136,81) Bipolar TR(B)	MMBT2369L
Unit Number: CWX4269			Q 481 (A,127,108) Transistor(C)	2SAR293PGZE
Unit Name : CD Core Unit(S11.6VA)			Q 483 (A,121,106) Resistor Built-IN TR(C)	LTC014EEB
			Q 531 (A,78,100) Bipolar TR	LSAR523UB
Unit Number: QWM4118(B,D)			Q 751 (A,141,138) Transistor	X1049AG-TF2
Unit Number: QWM4117(C)			Q 752 (A,139,130) Transistor	EMD52
Unit Name : Keyboard Unit			Q 871 (A,88,44) Transistor	2SAR502UB
			Q 872 (A,91,45) Transistor	LTC143EUB
			Q 941 (A,118,102) Bipolar TR	LSCR523UB
A			Q 951 (A,118,112) Bipolar TR(C)	LSAR523UB
Unit Number: QWM4116(B)			Q 1011 (A,120,109) Resistor Built-IN TR	LTC014EEB
Unit Number: QWM4115(C)			D 301 (A,100,125) Diode	CRG03
Unit Name : Tuner Amp Unit			D 302 (A,100,128) Diode	CRG03
			D 501 (A,67,52) Diode	CRG03
			D 503 (A,73,52) Diode	CRG03
			D 505 (A,86,54) Diode	CRG03
			D 507 (A,68,66) Diode(C)	CRG03
			D 551 (A,83,38) Diode	CMS30I30A
			D 552 (A,70,27) Diode	RB056L-40
			D 553 (A,83,45) Diode	CMS30I30A
			D 601 (A,111,95) Diode	RB751SM-40
			D 602 (A,73,90) Diode	RB751SM-40
			D 751 (A,138,132) Diode	DZ2J082M0
			D 802 (A,92,17) Diode	DZ2S068C
			D 803 (A,125,13) Diode	DZ2S068C
			D 804 (A,119,13) Diode	DZ2S068C
			D 805 (A,122,13) Diode	DZ2S068C
			D 806 (A,116,13) Diode	DZ2S068C
			D 807 (A,113,13) Diode	DZ2S068C
MISCELLANEOUS				
IC 201 (A,78,115) E-VOL SYS LSI	PM9013A			
IC 301 (A,78,141) Power AMP IC	PAL013A			
IC 401 (A,142,87) Tuner IC(B)	TEF6688HN			
(A,142,87) Tuner IC(C)	TEF6686HN			
IC 451 (A,122,82) Regulator IC	MM3571A33P			
IC 502 (A,80,60) Regulator IC	S-1172B12-E6			
IC 503 (A,70,78) Regulator IC	MM3411A33N			
IC 504 (A,72,71) Regulator IC(C)	S-1155B33-U5			
IC 531 (A,69,98) IC	337S3959			
IC 551 (A,74,30) DC/DC CONV IC	KBD9876EFJ			
IC 552 (A,102,27) PO Supply IC	BD2232G-G			
IC 601 (A,94,87) Flash Blank UC IC	R5S726A0D216FP			

5			6			7			8		
<u>Circuit Symbol and No.</u>			<u>Part No.</u>			<u>Circuit Symbol and No.</u>			<u>Part No.</u>		
D 901	(A,138,125)	Diode	D1F60-5053			R 410	(A,148,83)		RS1/16SS103J		
D 902	(A,135,125)	Diode	D1F60-5053			R 412	(A,147,82)		RS1/10SR0R0J		
D 911	(A,142,58)	Diode	CRG03			R 413	(A,140,80)		RS1/16SS101J		
D 912	(A,147,58)	Diode	CRG03			R 414	(A,141,83)		RS1/16SS101J		A
D 941	(A,117,107)	Diode(B)	DZ2J068M0					R 415	(A,139,83)		
	(A,117,107)	Diode(C)	DZ2J075M0					R 416	(A,140,83)		
D 951	(A,115,112)	Diode(C)	DAN202UM			R 417	(A,133,80) (B)		RS1/16SS121J		
D 1011	(A,121,115)	Diode	CRG03			R 418	(A,135,84) (B)		RS1/16SS182J		
L 201	(A,103,109)	Inductor	CTF1793			R 419	(A,132,75) (B)		RS1/16SS102J		
L 202	(A,71,111)	Inductor	CTF1793					R 420	(A,147,92)		
L 301	(A,105,125)	Inductor(C)	CTF1488					R 421	(A,133,75) (B)		
L 402	(A,134,94)	Inductor	LCTAW150J2520			R 422	(A,137,85) (B)		RS1/16SS0R0J		
L 404	(A,134,97)	Inductor	CTF1389			R 423	(A,138,80) (B)		RS1/16SS121J		
L 408	(A,144,101)	Inductor	LCMAR27J1608			R 424	(A,137,84) (B)		RS1/16SS182J		
L 551	(A,72,20)	SMD SPL Inductor	CTH1584					R 425	(A,137,75) (B)		B
L 801	(A,115,15)	Inductor	CTF1713					R 426	(A,138,75) (B)		
L 901	(A,112,141)	Choke Coil	CTH1620			R 427	(A,139,92)		RS1/16SS0R0J		
L 951	(A,113,115)	Chip Coil	BTH1101			R 429	(A,137,88) (B)		RS1/16SS101J		
T 401	(A,140,97)	Variable Coil	CTC1215			R 430	(A,134,84) (B)		RS1/16SS101J		
X 401	(A,150,93)	Crystal Resonator 9.216 MHz	CSS1864					R 431	(A,137,86) (B)		
X 601	(A,108,87)	Crystal Resonator 12.0 MHz	CSS1847					R 432	(A,136,75) (B)		
X 602	(A,101,101)	Ceramic Resonator 16.934 MHz	CSS1603			R 433	(A,131,75) (B)		RS1/16SS101J		
⚠ P251	(A,8,130)	Fuse 3.0 A	CEK1286			R 434	(A,155,84)		RS1/10SR0R0J		
P 401	(A,152,112)	Surge Absorber	IMSA-6803-01Y900			R 451	(A,123,77)		RS1/16SS0R0J		
P 482	(A,129,115)	Poly Switch(C)	FMSMD020-R					R 461	(A,154,81)		C
BZ601	(A,133,54)	Buzzer(B)	CPV1062					R 462	(A,153,80)		
VA801	(A,104,14)	SMD Varistor	MLV0402ES012V0010N			R 463	(A,154,79)		RS1/16SS0R0J		
VA802	(A,100,14)	SMD Varistor	MLV0402ES012V0010N			R 464	(A,152,77)		RS1/16SS0R0J		
U 461	(A,160,76)	Be Core Unit(B)	CWE2518			R 465	(A,121,68)		RS1/16SS0R0J		
	(A,160,76)	WWR Tuner(C)	CWE2534					R 466	(A,121,67)		
CN701	(A,113,32)	Connector	VKN1192			R 467	(A,149,65)		RS1/16SS0R0J		
CN801	(A,109,3)	Connector	CKS6452			R 468	(A,149,64)		RS1/16SS680J		
JA251	(A,18,138)	Jack	CKB1109			R 469	(A,151,63)		RS1/16SS473J		
JA401	(A,157,128)	Antenna Jack	YKS5041			R 470	(A,135,108)		RS1/4SA0R0J		
JA891	(A,42,138)	3.5 DIA Jack	CKS6437					R 471	(A,138,108)		
JA901	(A,113,141)	Plug	CKM1624					R 474	(A,151,76) (B)		D
⚠		Fuse 10 A	YEK5001					R 475	(A,150,74) (B)		
								R 476	(A,150,73) (B)		
								R 477	(A,149,72) (B)		
RESISTORS											
R 251	(A,17,130)		RS1/16SS821J			R 483	(A,130,107) (C)		RS1/16SS1003F		
R 252	(A,9,129)		RS1/16SS821J			R 484	(A,132,105) (B)		RS1/16SS473J		
R 253	(A,15,130)		RS1/16SS223J				(A,132,105) (C)		RS1/16SS1802D		
R 254	(A,11,129)		RS1/16SS223J			R 485	(A,128,104) (C)		RS1/4SA471J		
R 255	(A,29,131)		RS1/16SS821J			R 486	(A,123,104) (C)		RS1/4SA471J		
						R 487	(A,123,108) (C)		RS1/10SR103J		
R 256	(A,18,131)		RS1/16SS821J					R 490	(A,154,54) (B)		
R 257	(A,27,130)		RS1/16SS223J			R 494	(A,154,75) (B)		RS1/10SR0R0J		E
R 258	(A,21,130)		RS1/16SS223J			R 502	(A,86,70)		RS1/16SS0R0J		
R 305	(A,53,130)		RS1/16SS103J			R 503	(A,74,79)		RS1/16SS102J		
R 306	(A,53,129)		RS1/16SS221J			R 506	(A,73,76)		RS1/16SS0R0J		
R 307	(A,52,130)		RS1/16SS223J					R 531	(A,65,99)		
R 308	(A,103,124) (B)		RS1/16SS0R0J			R 532	(A,68,100)		RS1/16SS222J		
R 309	(A,51,132)		RS1/16SS103J			R 533	(A,74,97)		RS1/16SS222J		
R 401	(A,141,92)		RS1/16SS0R0J			R 534	(A,70,103)		RS1/16SS272J		
R 402	(A,140,92)		RS1/16SS0R0J			R 535	(A,68,103)		RS1/16SS472J		
R 403	(A,136,94)		RS1/16SS391J					R 536	(A,80,101)		
R 404	(A,132,99)		RS1/16SS105J			R 537	(A,70,100)		RS1/16SS101J		F
R 405	(A,132,101)		RS1/16SS105J			R 538	(A,74,98)		RS1/16SS101J		
R 406	(A,144,83)		RS1/16SS101J			R 551	(A,74,24)		RS1/16SS682J		
R 407	(A,145,83)		RS1/16SS101J			R 552	(A,77,22)		RS1/16SS0R0J		
R 408	(A,149,84)		RS1/16SS103J								

1

Circuit Symbol and No.

2

Part No.

3

Circuit Symbol and No.

4

Part No.

	R 553	(A,77,25)	RS1/16SS1803D	R 706	(A,104,36)	RS1/16SS221J
	R 554	(A,76,25)	RS1/16SS4302D	R 707	(A,107,36)	RS1/16SS221J
	R 555	(A,79,12)	RS1/10SR471J	R 708	(A,109,36)	RS1/16SS101J
A	R 602	(A,90,75)	RS1/16SS473J	R 709	(A,110,36)	RS1/16SS221J
	R 604	(A,81,91) (C)	RS1/16SS473J	R 710	(A,112,36)	RS1/16SS101J
	R 609	(A,108,77)	RS1/16SS473J	R 711	(A,113,37)	RS1/16SS102J
	R 610	(A,79,91)	RS1/16SS473J	R 715	(A,116,37)	RS1/16SS151J
	R 611	(A,106,84)	RS1/16SS473J	R 716	(A,117,36)	RS1/16SS151J
	R 613	(A,105,88)	RS1/16SS152J	R 717	(A,118,36)	RS1/16SS151J
	R 614	(A,111,91)	RS1/16SS473J	R 718	(A,121,36)	RS1/16SS221J
	R 615	(A,91,76)	RS1/16SS473J	R 719	(A,120,38)	RS1/16SS104J
	R 616	(A,97,71)	RS1/16SS473J	R 752	(A,142,133)	RS1/4SA391J
	R 617	(A,110,94)	RS1/16SS103J	R 753	(A,105,36)	RS1/16SS473J
	R 618	(A,105,91)	RS1/16SS473J	R 754	(A,106,38)	RS1/16SS103J
B	R 622	(A,105,96)	RS1/16SS473J	R 801	(A,124,19)	RS1/10SR222J
	R 623	(A,108,100)	RAB4CQ473J	R 803	(A,122,16)	RS1/16SS223J
	R 625	(A,97,98)	RS1/16SS221J	R 804	(A,120,16)	RS1/16SS223J
	R 626	(A,95,102)	RS1/16SS221J	R 805	(A,121,19)	RS1/10SR101J
	R 627	(A,95,98)	RS1/16SS221J	R 806	(A,119,19)	RS1/10SR101J
	R 628	(A,94,100)	RS1/16SS221J	R 807	(A,120,19)	RS1/10SR101J
	R 629	(A,94,98)	RS1/16SS221J	R 808	(A,123,19)	RS1/10SR222J
	R 630	(A,93,98)	RS1/16SS221J	R 809	(A,116,19)	RS1/10SR220J
	R 631	(A,92,103)	RS1/16SS473J	R 810	(A,114,19)	RS1/10SR220J
	R 632	(A,87,104)	RS1/16SS473J	R 813	(A,104,19)	RS1/10SR222J
	R 633	(A,91,98)	RS1/16SS101J	R 814	(A,100,18)	RS1/10SR222J
C	R 634	(A,84,101)	RS1/16SS102J	R 815	(A,101,18)	RS1/16SS822J
	R 635	(A,82,99)	RS1/16SS102J	R 816	(A,96,18)	RS1/10SR222J
	R 636	(A,83,98)	RS1/16SS473J	R 817	(A,94,17)	RS1/10SR222J
	R 637	(A,85,97)	RS1/16SS473J	R 851	(A,92,21)	RS1/16SS472J
	R 638	(A,86,100)	RS1/16SS473J	R 871	(A,91,47)	RS1/10SR332J
	R 639	(A,80,96)	RS1/16SS472J	R 872	(A,88,47)	RS1/16SS103J
	R 640	(A,79,95)	RS1/16SS472J	R 878	(A,98,32)	RS1/10SR473J
	R 643	(A,82,90)	RS1/16SS104J	R 891	(A,51,136)	RS1/16SS102J
	R 644	(A,79,89)	RS1/16SS101J	R 892	(A,51,137)	RS1/16SS102J
	R 645	(A,80,88)	RS1/16SS101J	R 911	(A,144,41)	RS1/10SR1R0J
D	R 646	(A,71,88)	RS1/16SS103J	R 912	(A,139,40)	RS1/10SR1R0J
	R 647	(A,78,87)	RS1/16SS101J	R 913	(A,155,40)	RS1/16SS223J
	R 648	(A,79,86)	RS1/16SS102J	R 914	(A,128,39)	RS1/16SS223J
	R 649	(A,83,85)	RS1/16SS102J	R 941	(A,118,105)	RS1/16SS223J
	R 650	(A,87,76)	RS1/16SS102J	R 942	(A,117,105)	RS1/16SS473J
	R 651	(A,83,81)	RS1/16SS473J	R 943	(A,115,103) (B)	RS1/16SS682J
	R 652	(A,82,78)	RS1/16SS222J		(A,115,103) (B)(C)	RS1/16SS333J
	R 653	(A,84,78)	RS1/16SS103J	R 944	(A,114,107) (B)	RS1/4SA102J
	R 655	(A,98,71)	RS1/16SS0R0J		(A,114,107) (C)	RS1/4SA122J
	R 656	(A,99,73)	RS1/16SS0R0J	R 951	(A,118,109) (C)	RS1/16SS102J
				R 952	(A,118,114) (C)	RS1/16SS223J
				R 953	(A,113,113) (C)	RS1/16SS153J
E	R 659	(A,109,66)	RS1/16SS153J			
	R 660	(A,109,65)	RS1/16SS153J			
	R 664	(A,102,72)	RS1/16SS103J	R 1011	(A,120,112)	RS1/16SS103J
	R 666	(A,76,95)	RS1/16SS0R0J	R 1013	(A,117,116)	RS1/4SA102J
	R 668	(A,92,62) (B)	RS1/16SS102J			
	R 671	(A,112,73)	RS1/16SS104J			
	R 681	(A,88,109)	RS1/16SS473J	C 201	(A,71,122)	CKSRYB105K10
	R 682	(A,87,107)	RS1/16SS473J	C 202	(A,84,121)	CKSRYB105K10
	R 683	(A,99,105)	RS1/16SS473J	C 203	(A,71,119)	CKSRYB105K10
	R 684	(A,87,106)	RS1/16SS473J	C 204	(A,84,118)	CKSRYB105K10
				C 205	(A,71,120)	CKSRYB105K10
	R 685	(A,99,108)	RS1/16SS473J			
F	R 701	(A,106,36)	RS1/16SS473J	C 206	(A,84,120)	CKSRYB105K10
	R 702	(A,114,37)	RS1/16SS104J	C 207	(A,69,117)	CKSSYB104K10
	R 703	(A,116,27)	RAB4CQ472J	C 208	(A,69,116)	CKSSYB104K10
	R 704	(A,109,39)	RS1/16SS104J	C 209	(A,68,114) 10 uF	CCG1192

CAPACITORS

1

2

3

4

5		6		7		8	
<u>Circuit Symbol and No.</u>		<u>Part No.</u>		<u>Circuit Symbol and No.</u>		<u>Part No.</u>	
C 210	(A,71,115)		CCSSCH151J50	C 453	(A,120,86)		CKSRBYB105K10
C 211	(A,84,114)		CCSSCH151J50	C 454	(A,123,91)		CKSRBYB102K50
C 212	(A,87,115) 10 uF		CCG1192	C 455	(A,140,70) 10 uF		CCG1192
C 213	(A,86,113)		CKSSYB104K10	C 461	(A,131,85) (B)		CCSSCH150J50
C 214	(A,86,112)		CKSSYB104K10	C 462	(A,152,105) (C)		CCSSCH101J50
C 215	(A,86,110)		CKSSYB102K50				
C 216	(A,68,110) 10 uF		CCG1192	C 463	(A,153,105) (C)		CKSSYB104K16
C 217	(A,72,109)		CKSSYB102K50	C 469	(A,130,85) (B)		CCSSCH150J50
C 218	(A,96,114)		XCEVW470M16	C 474	(A,70,84)		CKSSYB104K10
C 219	(A,91,116) 10 uF		CCG1192	C 482	(A,131,107) (C)		CKSSYB104K16
C 220	(A,89,111) 10 uF		CCG1192	C 503	(A,81,55) 10 uF		CCG1192
C 224	(A,101,112)		CKSSYB104K10	C 504	(A,81,64) 10 uF		CCG1192
C 228	(A,91,114)		CKSSYB103K16	C 505	(A,67,79) 4.7 uF		CCG1212
C 230	(A,104,109)		CKSSYB104K10	C 506	(A,66,79)		CKSSYB102K50
C 235	(A,87,124)		CKSSYB104K10	C 507	(A,73,79) 4.7 uF		CCG1212
C 237	(A,72,113)		CKSSYB104K10	C 508	(A,71,67) (C)		CCG1212
C 239	(A,66,114)		CKSSYB102K50	C 509	(A,71,65) (C)		CKSSYB102K50
C 251	(A,36,128) 10 uF		CCG1192	C 510	(A,75,70) (C)		CCG1212
C 252	(A,32,126) 10 uF		CCG1192	C 531	(A,65,98)		CKSSYB104K10
C 253	(A,16,130)		CCSSCH101J50	C 532	(A,68,104)		CKSSYB104K10
C 254	(A,10,129)		CCSSCH101J50	C 551	(A,78,42)		XCH3021
C 255	(A,34,131) 10 uF		CCG1192	C 552	(A,70,36)		CKSRBYB105K16
C 256	(A,30,129) 10 uF		CCG1192	C 553	(A,74,35)		CKSSYB103K16
C 257	(A,26,131)		CCSSCH101J50	C 555	(A,75,25)		CKSSYB682K25
C 258	(A,20,130)		CCSSCH101J50	C 556	(A,69,13)		CEVQW221M6R3
C 261	(A,6,132)		CKSSYB103K16	C 557	(A,78,16)		CKSRBYB105K10
C 262	(A,35,135) 2.2 uF		CCG1205	C 560	(A,106,26)		CKSRBYB105K10
C 301	(A,72,128)		CKSRBYB474K10	C 561	(A,97,27)		CKSRBYB105K10
C 303	(A,81,128)		CKSRBYB474K10	C 564	(A,77,16) 4.7 uF		CCG1212
C 305	(A,75,128)		CKSRBYB474K10	C 565	(A,70,35) 4.7 uF		CCG1222
C 307	(A,78,128)		CKSRBYB474K10	C 568	(A,81,30) 1 uF		DCH1246
C 313	(A,84,128) 2.2 uF		CCG1205	C 601	(A,85,76)		CKSSYB104K10
C 314	(A,137,134)		CKSRBYB104K16	C 602	(A,93,74)		CKSSYB104K10
C 318	(A,61,131) 10 uF/16 V		DCH1263	C 603	(A,95,75)		CKSSYB104K10
C 322	(A,99,126) (B)		CKSRBYB104K16	C 604	(A,97,74)		CKSSYB104K10
C 327	(A,53,128)		CKSRBYB105K10	C 605	(A,103,74)		CKSSYB104K10
C 330	(A,87,126)		CKSRBYB103K50	C 606	(A,106,82)		CKSSYB104K10
C 402	(A,150,82)		CKSSYB472K25	C 607	(A,110,86)		CCSSCH120J50
C 406	(A,151,82)		CKSSYB472K25	C 608	(A,107,90)		CCSSCH120J50
C 407	(A,145,91)		CKSSYB104K10	C 609	(A,110,83)		CKSSYB104K10
C 408	(A,146,93) 2.2 uF		CCG1205	C 610	(A,105,85)		CKSSYB104K10
C 409	(A,144,93)		CKSSYB224K6R3	C 611	(A,105,89)		CKSSYB104K10
C 410	(A,142,101)		CCSSCH220J50	C 612	(A,105,94)		CKSSYB104K10
C 411	(A,139,101)		CCSSCH331J50	C 613	(A,105,95)		CKSSYB104K10
C 412	(A,147,78)		CKSSYB104K10	C 617	(A,124,44) 1 uF		DCH1246
C 414	(A,134,91)		CKSSYB102K50	C 620	(A,98,98)		CKSSYB104K10
C 420	(A,134,100)		CCSSCH471J50	C 621	(A,92,100)		CKSSYB104K10
C 422	(A,137,89)		CKSSYB152K50	C 622	(A,89,101)		CCSSCH220J50
C 423	(A,142,82) 1 uF		DCH1246	C 623	(A,87,102)		CKSSYB104K10
C 425	(A,146,90)		CCSSCH390J50	C 624	(A,87,99)		CKSSYB104K10
C 428	(A,138,91)		CKSSYB104K10	C 625	(A,85,101)		CKSSYB104K10
C 430	(A,143,93)		CKSSYB102K50	C 626	(A,83,89)		CKSSYB104K10
C 431	(A,147,80) 2.2 uF		CCG1205	C 627	(A,78,90)		CCSSCH220J50
C 432	(A,146,95)		CKSSYB104K10	C 628	(A,77,89)		CCSSCH220J50
C 433	(A,146,96) 10 uF		CCG1192	C 629	(A,81,85)		CKSSYB104K10
C 434	(A,144,103)		CCSSCH100D50	C 630	(A,81,84)		CKSSYB104K10
C 436	(A,147,84)		CKSRBYB102K50	C 631	(A,77,86)		CCSSCH220J50
C 437	(A,140,77) (C)		CCG1205	C 638	(A,105,83) 1 uF		DCH1246
C 438	(A,126,87) (C)		CKSSYB102K50	C 639	(A,97,100)		CCSRCK1R0C50
C 452	(A,120,78)		CKSRBYB105K10	C 642	(A,82,95) (C)		CCSSCH330J50
				C 681	(A,100,108)		CKSSYB104K10

	1	2	3	4
	<u>Circuit Symbol and No.</u>	<u>Part No.</u>	<u>Circuit Symbol and No.</u>	<u>Part No.</u>
	C 701 (A,110,38)	CKSSYB103K16	Q 301 (A,60,124) Transistor	EMD52
	C 704 (A,119,37)	CCSSCH100D50	Q 531 (A,89,94) Bipolar TR	LSAR523UB
A	C 705 (A,118,38)	CCSSCH100D50	Q 751 (A,14,102) Transistor	X1049AG-TF2
	C 706 (A,116,38)	CCSSCH100D50	Q 752 (A,10,107) Transistor	EMD52
	C 752 (A,140,133)	CKSSYB104K10	Q 871 (A,151,62) Transistor	2SAR502UB
	C 753 (A,145,132) 10 uF	CCG1192	Q 872 (A,150,54) Transistor	LTC143EUB
	C 754 (A,108,116)	CKSSYB102K50	Q 941 (A,128,108) Bipolar TR	LSCR523UB
	C 801 (A,124,6)	CCSRCH102J50	Q 1011 (A,98,120) Resistor Built-IN TR	LTC014EEB
	C 804 (A,94,26)	CKSRYB104K16	D 301 (A,87,128) Diode	CRG03
	C 806 (A,124,9)	CKSRYB104K16	D 302 (A,92,128) Diode	CRG03
	C 807 (A,123,12)	CKSRYB105K10	D 551 (A,24,118) Diode	CMS30I30A
	C 808 (A,112,19)	CKSRYB104K16	D 552 (A,44,105) Diode	RB056L-40
	C 809 (A,96,15)	CCSRCH221J50	D 601 (A,136,79) Diode	RB751SM-40
B	C 810 (A,96,14)	CCSRCH221J50	D 602 (A,126,63) Diode	RB751SM-40
	C 873 (A,97,32)	CKSRYB105K16	D 751 (A,16,107) Diode	DZ2J082M0
	C 874 (A,103,20)	CKSSYB104K10	D 801 (A,108,12) Diode	DZ2S068C
	C 875 (A,93,45)	CKSSYB102K50	D 802 (A,93,16) Diode	DZ2S068C
	C 891 (A,49,134)	CKSRYB104K16	D 803 (A,125,15) Diode	DZ2S068C
	C 892 (A,49,137)	CKSRYB104K16	D 804 (A,119,13) Diode	DZ2S068C
	C 901 (A,132,124) 2 200 uF/16 V	CCH1405	D 805 (A,121,13) Diode	DZ2S068C
	C 911 (A,137,119)	CKSRYB104K16	D 806 (A,117,13) Diode	DZ2S068C
	C 912 (A,151,40)	CKSSYB102K50	D 807 (A,114,13) Diode	DZ2S068C
	C 913 (A,132,39)	CKSSYB102K50	D 901 (A,138,127) Diode	D1F60-5053
	C 914 (A,147,51)	XCEAT102M16	D 902 (A,135,127) Diode	D1F60-5053
C	C 915 (A,133,41)	CKSRYB104K16	D 911 (A,159,66) Diode	CRG03
	C 916 (A,142,44) 10 uF	CCG1192	D 912 (A,162,66) Diode	CRG03
	C 917 (A,143,41)	CKSSYB102K50	D 941 (A,129,112) Diode	DZ2J068M0
	C 919 (A,151,42) 10 uF	CCG1192	D 1011 (A,101,124) Diode	CRG03
	C 921 (A,136,41) 10 uF	CCG1192	L 202 (A,91,101) Inductor	CTF1793
	C 923 (A,147,41) 10 uF	CCG1192	L 402 (A,142,93) Inductor	LCTAW150J2520
	C 926 (A,141,41) 10 uF	CCG1192	L 404 (A,145,108) Inductor	CTF1389
	C 927 (A,138,41)	CKSSYB102K50	L 408 (A,154,104) Inductor	LCMAR27J1608
	C 929 (A,157,40)	CKSSYB102K50	L 551 (A,52,107) SMD SPL Inductor	CTH1584
	C 930 (A,138,121)	CKSSYB104K10	L 801 (A,115,16) Inductor	CTF1713
	C 941 (A,116,105)	CKSRYB104K16	L 901 (A,112,141) Choke Coil	CTH1620
D	C 1011 (A,120,110)	CKSRYB105K16	T 401 (A,151,99) Variable Coil	CTC1215
			X 401 (A,159,85) Crystal Resonator 9.216 MHz	CSS1864
			X 601 (A,128,74) Crystal Resonator 12.0 MHz	CSS1847
			X 602 (A,120,89) Ceramic Resonator 16.934 MHz	CSS1603

B
Unit Number: QWM4114(D)
Unit Name : Tuner Amp Unit

MISCELLANEOUS

E	IC 201 (A,99,106) E-VOL SYS LSI	PM9013A	CN701 (A,114,32) Connector	VKN1192
	IC 301 (A,79,141) Power AMP IC	PAL013A	CN801 (A,109,3) Connector	CKS6452
	IC 401 (A,149,87) Tuner IC	TEF6686HN	JA251 (A,19,141) Jack	CKB1109
	IC 451 (A,164,75) Regulator IC	MM3571A33P	JA401 (A,162,128) Antenna Jack	YKS5041
	IC 531 (A,93,86) IC	337S3959	JA891 (A,43,138) 3.5 DIA Jack	CKS6437
	IC 551 (A,42,112) DC/DC CONV IC	KBD9876EFJ	JA901 (A,114,141) Plug	CKM1624
	IC 552 (A,107,24) PO Supply IC	BD2232G-G	JA961 (A,142,143) Connector	CKS3806
	IC 601 (A,112,74) Flash Blank UC IC	R5S726B0D216FP	△ Fuse 10 A	YEK5001
	IC 602 (A,131,68) IC	TC7SH126FU		
	IC 603 (A,137,66) L-MOS And Gate	TC7SET08FUS1		
	IC 671 (A,133,74) IC	S-80827CNMC-B8M	R 251 (A,22,127)	RS1/16SS821J
	IC 681(NSP)(A,115,94) FlashROM Unit	QWW3913	R 252 (A,20,124)	RS1/16SS821J
F	IC 801 (A,105,18) L-MOS And Gate	TC7SET08FUS1	R 253 (A,22,129)	RS1/16SS223J
	IC 911 (A,145,28) Regulator IC	BA49183-V12	R 254 (A,18,125)	RS1/16SS223J
	Q 251 (A,20,129) Transistor	EMH53	R 260 (A,14,125)	RS1/16SS821J
	Q 253 (A,13,129) Transistor	EMH53		

RESISTORS

5		6		7		8	
<u>Circuit Symbol and No.</u>		<u>Part No.</u>		<u>Circuit Symbol and No.</u>		<u>Part No.</u>	
R 261	(A,11,128)	RS1/16SS821J		R 643	(A,98,81)	RS1/16SS104J	
R 262	(A,15,126)	RS1/16SS223J		R 644	(A,97,78)	RS1/16SS101J	
R 263	(A,11,129)	RS1/16SS223J		R 645	(A,94,79)	RS1/16SS101J	
R 265	(A,17,127)	RS1/16SS0R0J		R 646	(A,124,62)	RS1/16SS103J	A
R 267	(A,15,129)	RS1/16SS0R0J		R 647	(A,98,74)	RS1/16SS101J	
R 305	(A,59,121)	RS1/16SS103J		R 648	(A,94,76)	RS1/16SS102J	
R 306	(A,61,121)	RS1/16SS221J		R 649	(A,94,75)	RS1/16SS102J	
R 307	(A,61,122)	RS1/16SS223J		R 650	(A,94,74)	RS1/16SS102J	
R 309	(A,84,120)	RS1/16SS103J		R 651	(A,91,72)	RS1/16SS473J	
R 401	(A,151,94)	RS1/16SS0R0J		R 652	(A,95,68)	RS1/16SS222J	
R 402	(A,150,94)	RS1/16SS0R0J		R 653	(A,97,65)	RS1/16SS103J	
R 403	(A,140,94)	RS1/16SS391J		R 655	(A,116,60)	RS1/16SS0R0J	
R 404	(A,151,109)	RS1/16SS105J		R 656	(A,117,52)	RS1/16SS0R0J	
R 405	(A,154,109)	RS1/16SS105J		R 659	(A,125,61)	RS1/16SS153J	
R 406	(A,152,81)	RS1/16SS101J		R 660	(A,124,60)	RS1/16SS153J	B
R 407	(A,153,81)	RS1/16SS101J		R 662	(A,129,66)	RS1/16SS473J	
R 408	(A,156,81)	RS1/16SS103J		R 663	(A,141,76)	RS1/16SS0R0J	
R 410	(A,155,81)	RS1/16SS103J		R 664	(A,92,68)	RS1/16SS103J	
R 437	(A,153,79)	RS1/16SS472J		R 665	(A,124,85)	RS1/16SS473J	
R 438	(A,151,79)	RS1/16SS472J		R 667	(A,129,64)	RS1/16SS473J	
R 452	(A,165,89)	RS1/16SS0R0J		R 669	(A,108,61)	RS1/16SS473J	
R 454	(A,147,74)	RS1/16SS0R0J		R 671	(A,131,70)	RS1/16SS104J	
R 455	(A,166,88)	RS1/16SS0R0J		R 681	(A,110,96)	RS1/16SS473J	
R 531	(A,90,90)	RS1/16SS473J		R 682	(A,111,90)	RS1/16SS473J	
R 532	(A,90,84)	RS1/16SS222J		R 683	(A,121,92)	RS1/16SS473J	
R 533	(A,91,84)	RS1/16SS222J		R 684	(A,110,94)	RS1/16SS473J	C
R 534	(A,94,90)	RS1/16SS272J		R 685	(A,121,96)	RS1/16SS473J	
R 535	(A,95,89)	RS1/16SS472J		R 701	(A,109,37)	RS1/16SS473J	
R 536	(A,97,89)	RS1/16SS472J		R 702	(A,115,37)	RS1/16SS104J	
R 537	(A,95,85)	RS1/16SS101J		R 703	(A,118,27)	RAB4CQ472J	
R 538	(A,95,83)	RS1/16SS101J		R 704	(A,110,40)	RS1/16SS104J	
R 551	(A,48,112)	RS1/16SS682J		R 706	(A,108,36)	RS1/16SS221J	
R 552	(A,53,113)	RS1/16SS0R0J		R 707	(A,108,37)	RS1/16SS221J	
R 553	(A,49,113)	RS1/16SS1803D		R 708	(A,110,37)	RS1/16SS101J	
R 554	(A,49,111)	RS1/16SS4302D		R 709	(A,111,37)	RS1/16SS221J	
R 555	(A,64,103)	RS1/10SR471J		R 710	(A,112,37)	RS1/16SS101J	D
R 609	(A,125,65)	RS1/16SS473J		R 711	(A,114,38)	RS1/16SS102J	
R 610	(A,125,67)	RS1/16SS473J		R 715	(A,117,36)	RAB4CQ151J	
R 611	(A,129,69)	RS1/16SS473J		R 718	(A,122,36)	RS1/16SS221J	
R 613	(A,125,74)	RS1/16SS152J		R 719	(A,121,36)	RS1/16SS104J	
R 614	(A,132,78)	RS1/16SS473J		R 752	(A,14,108)	RS1/4SA391J	
R 615	(A,135,77)	RS1/16SS473J		R 753	(A,106,40)	RS1/16SS473J	
R 616	(A,124,76)	RS1/16SS473J		R 754	(A,105,41)	RS1/16SS103J	
R 617	(A,138,79)	RS1/16SS103J		R 801	(A,124,20)	RS1/10SR222J	
R 618	(A,127,81)	RS1/16SS473J		R 803	(A,121,17)	RS1/16SS223J	
R 622	(A,122,85)	RS1/16SS473J		R 804	(A,119,17)	RS1/16SS223J	
R 623	(A,129,93)	RAB4CQ473J		R 805	(A,121,19)	RS1/10SR101J	E
R 625	(A,116,89)	RS1/16SS221J		R 806	(A,118,19)	RS1/10SR101J	
R 626	(A,115,89)	RS1/16SS221J		R 807	(A,120,19)	RS1/10SR101J	
R 627	(A,114,89)	RS1/16SS221J		R 808	(A,124,19)	RS1/10SR222J	
R 628	(A,113,89)	RS1/16SS221J		R 809	(A,116,20)	RS1/10SR220J	
R 629	(A,110,91)	RS1/16SS221J		R 810	(A,114,20)	RS1/10SR220J	
R 630	(A,109,91)	RS1/16SS221J		R 813	(A,107,15)	RS1/10SR222J	
R 631	(A,107,92)	RS1/16SS473J		R 814	(A,101,18)	RS1/10SR222J	
R 632	(A,108,87)	RS1/16SS473J		R 815	(A,100,18)	RS1/16SS822J	
R 633	(A,106,92)	RS1/16SS101J		R 816	(A,96,19)	RS1/10SR222J	
R 634	(A,103,90)	RS1/16SS102J		R 817	(A,95,19)	RS1/10SR222J	F
R 636	(A,100,91)	RS1/16SS473J		R 819	(A,90,19)	RS1/10SR0R0J	
R 637	(A,101,89)	RS1/16SS473J		R 851	(A,93,19)	RS1/16SS472J	
R 638	(A,104,92)	RS1/16SS473J		R 871	(A,157,66)	RS1/10SR332J	

1

Circuit Symbol and No.

2

Part No.

3

Circuit Symbol and No.

4

Part No.

R 872	(A,157,68)	RS1/16SS103J				
R 878	(A,124,26)	RS1/10SR473J	C 262	(A,16,123)	10 uF	CCG1192
R 891	(A,58,137)	RS1/16SS102J	C 263	(A,12,123)	10 uF	CCG1192
R 892	(A,58,136)	RS1/16SS102J	C 264	(A,15,127)		CCSSCH101J50
R 911	(A,145,40)	RS1/10SR1R0J	C 265	(A,11,130)		CCSSCH101J50
			C 301	(A,69,128)		CKSRYB474K10
R 912	(A,141,41)	RS1/10SR1R0J				
R 913	(A,154,42)	RS1/16SS223J	C 303	(A,80,128)		CKSRYB474K10
R 914	(A,133,41)	RS1/16SS223J	C 305	(A,73,128)		CKSRYB474K10
R 930	(A,138,122)	RS1/10SR0R0J	C 307	(A,77,128)		CKSRYB474K10
R 941	(A,126,110)	RS1/16SS223J	C 313	(A,82,129)	2.2 uF	CCG1205
			C 314	(A,132,125)		CKSRYB104K16
R 942	(A,126,111)	RS1/16SS473J				
R 943	(A,131,112)	RS1/16SS682J	C 318	(A,64,130)	10 uF/16 V	DCH1263
R 944	(A,126,114)	RS1/4SA102J	C 327	(A,63,123)		CKSRYB105K10
R 961	(A,148,133)	RS1/16SS181J	C 328	(A,52,130)	2.2 uF	CCG1205
R 962	(A,145,132)	RS1/16SS223J	C 336	(A,87,125)		CKSRYB104K16
			C 407	(A,155,92)		CKSSYB103K16
R 963	(A,145,130)	RS1/16SS181J				
R 964	(A,145,131)	RS1/16SS223J	C 409	(A,152,92)		CKSSYB224K6R3
R 965	(A,143,131)	RAB4CQ102J	C 410	(A,152,105)		CCSSCH220J50
R 1003	(A,140,59)	RS1/16SS473J	C 411	(A,150,105)		CCSSCH331J50
R 1008	(A,147,66)	RS1/10SR0R0J	C 414	(A,144,89)		CKSSYB102K50
			C 420	(A,152,109)		CCSSCH471J50
R 1009	(A,137,58)	RS1/16SS473J				
R 1011	(A,101,120)	RS1/16SS103J	C 422	(A,144,86)		CKSSYB152K50
R 1013	(A,101,126)	RS1/4SA102J	C 425	(A,155,91)		CCSSCH390J50
			C 428	(A,147,92)		CKSSYB104K10
			C 430	(A,152,93)		CKSSYB102K50
			C 434	(A,158,104)		CCSSCH100D50

CAPACITORS

C 201	(A,94,115)	CKSRYB105K10				
C 202	(A,101,115)	CKSRYB105K10	C 442	(A,148,80)	10 uF	CCG1192
C 203	(A,89,115)	CKSRYB105K10	C 452	(A,160,78)		CKSRYB104K16
C 204	(A,105,114)	CKSRYB105K10	C 453	(A,167,71)		CKSRYB105K10
C 205	(A,92,115)	CKSRYB105K10	C 458	(A,144,81)		CCSSCH102J50
			C 459	(A,154,107)		CKSRYB104K16
C 206	(A,104,112)	CKSRYB105K10				
C 207	(A,89,108)	CKSSYB104K10	C 461	(A,154,81)		CCSSCH330J50
C 208	(A,91,106)	CKSSYB104K10	C 531	(A,90,89)		CKSSYB104K10
C 209	(A,90,104)	10 uF	C 532	(A,92,89)		CKSSYB104K10
C 210	(A,93,106)	CCSSCH151J50	C 551	(A,27,111)		XCEVW221M16
			C 552	(A,35,108)		CKSRYB105K16
C 211	(A,107,106)	CCSSCH151J50				
C 212	(A,105,108)	10 uF	C 553	(A,37,111)		CKSSYB103K16
C 213	(A,106,105)	CKSSYB104K10	C 555	(A,47,113)		CKSSYB682K25
C 214	(A,106,104)	CKSSYB104K10	C 556	(A,65,111)		CEVQW221M6R3
C 215	(A,105,102)	CKSSYB104K10	C 557	(A,60,112)		CKSRYB105K10
			C 560	(A,109,21)		CKSRYB105K10
C 216	(A,88,100)	10 uF	CCG1192			
C 217	(A,92,100)	CKSSYB104K10	C 561	(A,103,23)		CKSRYB105K10
C 218	(A,112,109)	XCEVW470M16	C 564	(A,58,112)	4.7 uF	CCG1201
C 219	(A,110,102)	10 uF	C 565	(A,37,107)	4.7 uF	CCG1222
C 220	(A,103,98)	10 uF	C 568	(A,64,101)	10 uF	CCG1192
			C 572	(A,69,121)		CKSRYB104K16
C 223	(A,87,101)	CKSSYB102K50				
C 224	(A,112,103)	CKSSYB104K10	C 601	(A,102,61)		CKSSYB104K10
C 229	(A,108,111)	CKSSYB102K50	C 602	(A,110,62)		CKSSYB104K10
C 236	(A,107,103)	CKSRYB105K10	C 603	(A,113,60)		CKSSYB104K10
C 237	(A,92,114)	CKSRYB105K10	C 604	(A,116,59)		CKSSYB104K10
			C 605	(A,118,60)		CKSSYB104K10
C 238	(A,107,113)	CKSRYB105K10				
C 239	(A,105,116)	CKSRYB105K10	C 606	(A,125,68)		CKSSYB104K10
C 240	(A,93,111)	CKSRYB105K10	C 607	(A,127,72)		CCSSCH120J50
C 241	(A,86,100)	CKSSYB102K50	C 608	(A,128,76)		CCSSCH120J50
C 251	(A,26,125)	10 uF	C 609	(A,125,69)		CKSSYB104K10
			C 610	(A,125,72)		CKSSYB104K10
C 252	(A,22,125)	10 uF	CCG1192			
C 253	(A,22,128)	CCSSCH101J50	C 611	(A,124,77)		CKSSYB104K10
C 254	(A,17,126)	CCSSCH101J50	C 612	(A,125,81)		CKSSYB104K10
C 260	(A,34,131)	CKSSYB103K16	C 613	(A,124,84)		CKSSYB104K10
C 261	(A,6,132)	CKSSYB104K10	C 620	(A,116,87)		CKSSYB104K10
			C 621	(A,112,87)		CKSSYB104K10

1

2

3

4

5
Circuit Symbol and No.

6
Part No.

7
Circuit Symbol and No.

8
Part No.

C 623	(A,109,88)	CKSSYB104K10
C 624	(A,106,87)	CKSSYB104K10
C 625	(A,104,90)	CKSSYB104K10
C 626	(A,99,78)	CKSSYB104K10
C 627	(A,96,81)	CCSSCH220J50
C 628	(A,95,81)	CCSSCH220J50
C 629	(A,99,72)	CKSSYB104K10
C 630	(A,98,69)	CKSSYB104K10
C 631	(A,96,74)	CCSSCH220J50
C 634	(A,108,60)	CKSSYB104K10
C 635	(A,104,87)	CKSSYB104K10
C 636	(A,99,75)	CKSSYB104K10
C 637	(A,134,69)	CKSSYB104K10
C 638	(A,136,68)	CKSSYB104K10
C 641	(A,105,88)	CKSSYB104K10
C 672	(A,127,71) 1 uF	DCH1246
C 681	(A,122,96)	CKSSYB104K10
C 683	(A,121,93)	CCSSCJ3R0C50
C 684	(A,130,98)	CKSSYB104K10
C 701	(A,111,40)	CKSSYB103K16
C 704	(A,120,38)	CCSSCH100D50
C 705	(A,118,38)	CCSSCH100D50
C 706	(A,117,38)	CCSSCH100D50
C 752	(A,18,106)	CKSSYB104K10
C 753	(A,23,100) 10 uF	CCG1192
C 801	(A,124,5)	CCSRCH102J50
C 806	(A,125,7)	CKSRYB104K16
C 807	(A,122,14)	CKSRYB105K10
C 808	(A,108,18)	CKSRYB104K16
C 809	(A,97,15)	CCSRCH221J50
C 810	(A,97,13)	CCSRCH221J50
C 811	(A,104,19)	CKSSYB104K10
C 812	(A,120,25)	CKSSYB104K10
C 872	(A,124,27)	CKSRYB105K16
C 873	(A,124,24)	CKSRYB105K16
C 891	(A,53,136)	CKSRYB104K16
C 892	(A,36,132)	CKSRYB104K16
C 901	(A,130,123) 2 200 uF/16 V	CCH1405
C 911	(A,133,119)	CKSRYB104K16
C 912	(A,152,40)	CKSSYB102K50
C 913	(A,135,41)	CKSSYB102K50
C 914	(A,156,56)	XCEAT102M16
C 915	(A,136,41)	CKSRYB104K16
C 916	(A,146,43) 10 uF	CCG1192
C 917	(A,145,45)	CKSSYB102K50
C 919	(A,151,41) 10 uF	CCG1192
C 921	(A,130,40) 10 uF	CCG1192
C 923	(A,159,40) 10 uF	CCG1192
C 926	(A,140,43) 10 uF	CCG1192
C 927	(A,140,41)	CKSSYB102K50
C 941	(A,132,112)	CKSRYB104K16
C 961	(A,149,130)	CKSRYB105K16
C 1011	(A,97,122)	CKSRYB105K16

IC 201	(B,24,38) IC	PEQ094A
IC 301	(A,37,12) IC	BD8223EFV
Q 101	(B,12,54) Transistor	2SA1577
Q 102	(B,16,55) Chip Digital Transistor	LTA123JUB
X 201	(B,25,50) Ceramic Resonator 16.934 MHz	CSS1603
S 901	(A,43,54) Spring Switch(HOME)	CSN1080
S 903	(B,22,13) Spring Switch(DSCSNS)	CSN1081
CN101	(A,17,58) Connector	CKS4808
CN701	(A,26,30) Connector	CKS6146

RESISTORS

R 101	(B,7,59)	RS1/10SR2R4J
R 102	(B,8,59)	RS1/10SR2R4J
R 103	(B,10,59)	RS1/10SR2R7J
R 108	(B,14,58)	RS1/16SS105J
R 109	(B,15,50)	RS1/16SS152J
R 214	(B,18,28)	RS1/16SS103J
R 215	(B,17,28)	RS1/16SS393J
R 216	(B,13,36)	RS1/16SS102J
R 217	(B,10,33)	RS1/16SS562J
R 218	(B,10,36)	RS1/16SS472J
R 229	(B,13,35)	RS1/16SS471J
R 232	(A,31,55)	RS1/16SS0R0J
R 237	(B,34,45)	RS1/16SS221J
R 240	(B,35,40)	RS1/16SS473J
R 245	(A,34,46)	RS1/16SS104J
R 254	(A,37,56)	RS1/16SS104J
R 260	(B,30,27)	RS1/16SS103J
R 264	(A,22,9)	RS1/16SS102J
R 281	(B,34,38)	RS1/16SS560J
R 282	(B,34,39)	RS1/16SS560J
R 291	(B,34,35)	RS1/16SS560J
R 294	(B,28,49)	RS1/16SS471J
R 303	(A,28,12)	RS1/16SS123J
R 304	(A,29,11)	RS1/16SS123J
R 305	(A,27,9)	RS1/16SS102J
R 306	(A,27,12)	RS1/16SS472J
R 307	(A,26,9)	RS1/16SS102J
R 308	(A,26,12)	RS1/16SS472J
R 309	(A,35,7)	RS1/16SS473J
R 310	(B,31,9)	RS1/16SS472J
R 311	(B,31,10)	RS1/16SS472J
R 312	(B,31,11)	RS1/16SS472J
R 313	(B,31,12)	RS1/16SS472J
R 701	(A,22,38)	RS1/16SS101J
R 702	(A,24,38)	RS1/16SS101J
R 706	(A,33,42)	RS1/16SS221J

CAPACITORS

C 104	(B,15,52)	CKSQYB475K6R3
C 110	(B,11,44)	CKSSYB104K10
C 111	(B,12,44)	CKSSYB103K16
C 203	(B,22,47)	CKSSYB104K10
C 205	(A,17,41)	CKSRYB105K10
C 209	(B,29,48)	CKSRYB104K16
C 210	(B,33,44)	CKSSYB104K10
C 211	(B,34,42)	CKSSYB104K10
C 212	(B,23,29)	CKSSYB104K10
C 213	(B,18,26)	CKSSYB332K50



Unit Number : CWX4269
Unit Name : CD Core Unit(S11.6VA)

MISCELLANEOUS

	1	2	3	4
	<u>Circuit Symbol and No.</u>	<u>Part No.</u>	<u>Circuit Symbol and No.</u>	<u>Part No.</u>
A	C 214 (B,17,26)	CKSSYB473K16	S 1832 (A,97,3) Push Switch	CSG1155
	C 215 (B,19,29)	CKSSYB104K10	S 1833 (A,105,3) Push Switch	CSG1155
	C 216 (B,13,33)	CKSSYB152K50	S 1834 (A,82,3) Push Switch	CSG1155
	C 217 (B,10,35)	CCSSCH390J50	S 1835 (A,7,29) Push Switch	CSG1155
	C 218 (B,10,37)	CCSSCH5R0C50	S 1836 (A,21,17) Encoder (MULTI-CNTROL)	CSD1193
	C 219 (B,14,35)	CKSSYB104K10	CN1941 (B,107,7) Connector	CKS6451
	C 220 (A,18,39)	CKSSYB104K10	JA 1901 (A,153,23) Connector	CKS6443
	C 221 (B,14,32)	CKSSYB104K10	JA 1921 (A,154,8) Jack	KKN1090
	C 222 (B,14,37)	CKSSYB104K10	V 1801 (A,51,30) Segment LCD	CAW2041
	C 223 (B,13,42)	CCSSCH680J50		
	C 224 (B,14,45)	CCSSCH470J50		
	C 225 (B,14,47)	CKSSYB103K16	R 1801 (B,61,20)	RS1/16SS103J
B	C 228 (B,10,34)	CCSSCH180J50	R 1821 (B,33,25)	RS1/16SS273J
	C 229 (B,9,41)	CKSSYB104K10	R 1841 (B,32,7)	RS1/16SS222J
	C 233 (B,33,46)	CKSSYB103K16	R 1842 (B,32,5)	RS1/16SS102J
			R 1843 (B,23,7)	RS1/16SS222J
	C 236 (B,8,41)	CKSSYB104K10	R 1844 (B,23,5)	RS1/16SS102J
	C 238 (A,26,45)	CKSRYB104K16	R 1845 (B,14,7)	RS1/16SS222J
	C 299 (A,26,43)	CKSSYB104K10	R 1846 (B,12,7)	RS1/16SS102J
	C 302 (B,29,12)	CKSSYB102K50	R 1847 (B,24,7)	RS1/16SS470J
	C 303 (B,30,12)	CKSSYB102K50	R 1849 (B,14,6)	RS1/16SS470J
	C 304 (B,28,12)	CKSSYB223K16		
	C 305 (B,27,12)	CKSSYB104K10	R 1851 (B,10,7)	RS1/16SS470J
	C 306 (A,32,7)	CKSSYB104K10	R 1865 (B,102,23)	RS1/16SS222J
	C 307 (A,42,19)	CKSRYB105K10	R 1866 (B,111,26)	RS1/16SS102J
C	C 308 (A,32,16)	CKSRYB105K10	R 1867 (B,114,23)	RS1/16SS222J
			R 1868 (B,114,25)	RS1/16SS102J
	C 710 (A,34,43)	CKSSYB102K50		

RESISTORS

R 1801 (B,61,20)	RS1/16SS103J
R 1821 (B,33,25)	RS1/16SS273J
R 1841 (B,32,7)	RS1/16SS222J
R 1842 (B,32,5)	RS1/16SS102J
R 1843 (B,23,7)	RS1/16SS222J
R 1844 (B,23,5)	RS1/16SS102J
R 1845 (B,14,7)	RS1/16SS222J
R 1846 (B,12,7)	RS1/16SS102J
R 1847 (B,24,7)	RS1/16SS470J
R 1849 (B,14,6)	RS1/16SS470J
R 1851 (B,10,7)	RS1/16SS470J
R 1865 (B,102,23)	RS1/16SS222J
R 1866 (B,111,26)	RS1/16SS102J
R 1867 (B,114,23)	RS1/16SS222J
R 1868 (B,114,25)	RS1/16SS102J
R 1869 (B,123,26)	RS1/16SS222J
R 1870 (B,123,28)	RS1/16SS102J
R 1871 (B,112,23)	RS1/16SS470J
R 1873 (B,122,26)	RS1/16SS470J
R 1875 (B,132,25)	RS1/16SS470J
R 1884 (B,46,23)	RS1/10SR221J
R 1887 (B,47,22)	RS1/16SS101J
R 1888 (B,38,22)	RS1/16SS101J
R 1921 (B,133,8)	RS1/10SR0R0J
R 1922 (B,130,5)	RS1/10SR0R0J
R 1923 (B,138,5)	RS1/10SR0R0J
R 1941 (B,77,4)	RS1/10SR222J
R 1942 (B,74,5)	RS1/10SR222J
R 1952 (B,142,30) (C)	RS1/16SS473J
R 1953 (B,141,24) (B,D)	RS1/10SR101J

CAPACITORS

C 1801 (B,70,19) 4.7 uF	CCG1212
C 1802 (B,70,21)	CKSSYB104K10
C 1803 (B,75,9)	CKSSYB104K10
C 1804 (B,76,9)	CKSSYB104K10
C 1805 (B,77,9)	CKSSYB104K10
C 1856 (B,48,25)	CKSRYB105K16
C 1901 (B,160,31)	CKSRYB104K16
C 1902 (B,138,13)	CKSRYB102K50
C 1904 (B,137,26)	CKSRYB105K10
C 1905 (B,46,20)	CKSRYB105K10
C 1923 (B,136,8)	CCSRCH221J50
C 1951 (B,142,27) 10 uF(B,D)	CCG1192

D
Unit Number: QWM4118(B,D)
Unit Number: QWM4117(C)
Unit Name : Keyboard Unit

MISCELLANEOUS

D	IC 1801 (B,81,19) Mask UC IC	PDC205A
	IC 1951 (A,154,37) IR RC REC Module(B,D)	PNJ4833M
	Q 1841 (B,27,8) Bipolar TR	LSCR523UB
	Q 1842 (B,19,8) Bipolar TR	LSCR523UB
	Q 1843 (B,8,16) Bipolar TR	LSCR523UB
	Q 1847 (B,107,22) Bipolar TR	LSCR523UB
	Q 1848 (B,117,24) Bipolar TR	LSCR523UB
	Q 1849 (B,127,26) Bipolar TR	LSCR523UB
	D 1841 (A,3,17) LED	SMLVN6RGB2UK(B)
	D 1842 (A,38,17) LED	SMLVN6RGB2UK(B)
E	D 1843 (A,160,23) LED	SMLVN6RGB2UK(B)
	D 1844 (A,145,20) LED	SMLVN6RGB2UK(B)
	D 1845 (A,45,20) LED	SMLVN6RGB2UK(B)
	X 1801 (B,66,20) Ceramic Resonator 5.00 MHz	CSS1547
	S 1821 (A,50,3) Push Switch	CSG1155
	S 1822 (A,9,39) Push Switch	CSG1155
	S 1823 (A,64,3) Push Switch	CSG1155
	S 1824 (A,6,6) Push Switch	CSG1155
	S 1825 (A,5,22) Push Switch	CSG1155
	S 1826 (A,38,27) Push Switch	CSG1155
	S 1827 (A,38,8) Push Switch	CSG1155
F	S 1828 (A,73,3) Push Switch	CSG1155
	S 1829 (A,143,3) Push Switch	CSG1155
	S 1830 (A,120,3) Push Switch	CSG1155
	S 1831 (A,129,3) Push Switch	CSG1155