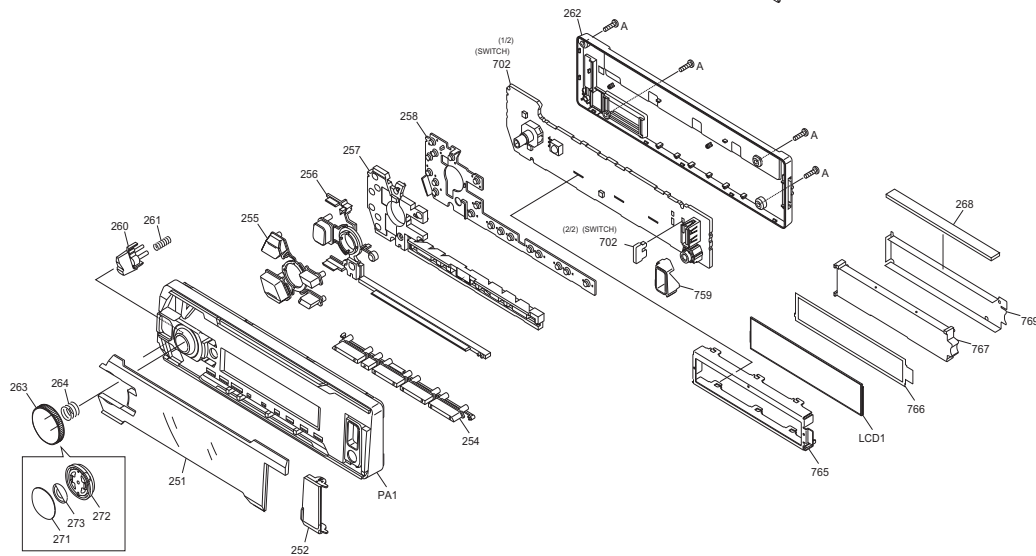
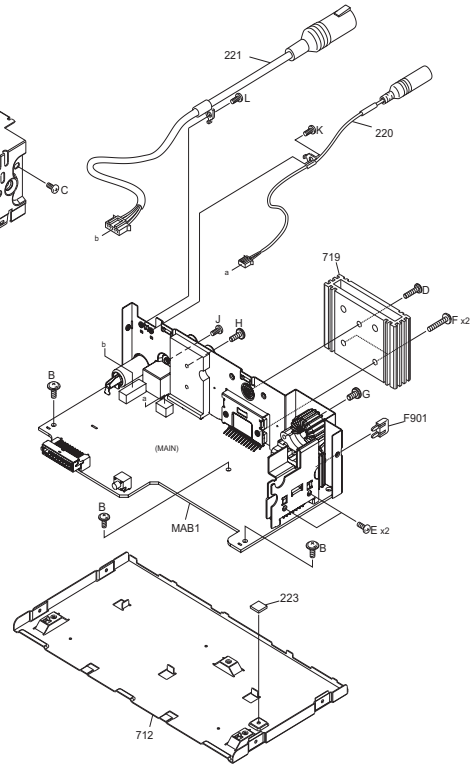
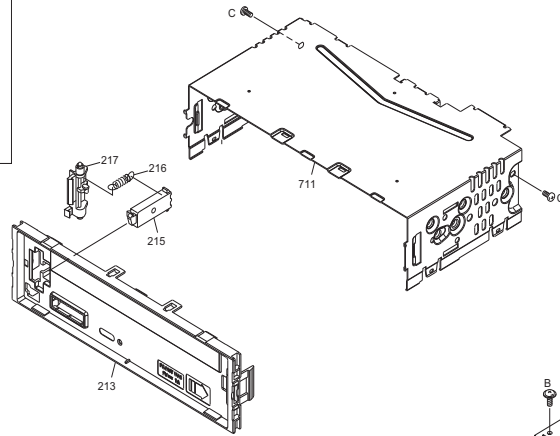
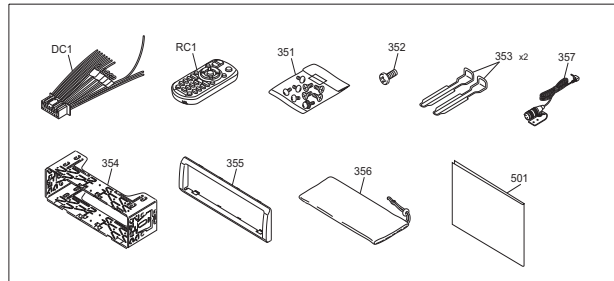


EXPLODED VIEW (UNIT)

Block No.M1MM



ONLY USED
K1MM-BT318J

Parts with the exploded numbers larger than 700 are not supplied.

created date:2016-12-07

| MODEL | MARK | MODEL | MARK | MODEL | MARK | MODEL | MARK |
|------------|------|-----------|------|-----------|------|------------|------|
| KMM-BT303 | A1 | KMM-BT303 | M1 | KMM-BT318 | K2 | KMM-BT318U | K1 |
| KMR-M318BT | K0 | | | | | | |

| Safe | Symbol No. | Parts No. | Parts Name | Description | QTY | Local |
|------|------------|-----------|------------|-------------|-----|-------|
|------|------------|-----------|------------|-------------|-----|-------|

EXPLODED VIEW (UNIT) <M1MM>

| | | | | | | |
|---|------|---------------|-----------------|-----------------|---|-------------|
| △ | DC1 | E3A-0324-00 | DC CORD | | 1 | |
| | MAB1 | CB-XJ1193M01N | MAIN PWB ASSY | | 1 | A1,M1 |
| | MAB1 | CB-XJ1193K02N | MAIN PWB ASSY | | 1 | K2 |
| | MAB1 | CB-XJ1193K01N | MAIN PWB ASSY | | 1 | K1 |
| | MAB1 | CB-XJ1193K00N | MAIN PWB ASSY | | 1 | K0 |
| △ | F901 | FZB10BT-100 | BLADE FUSE | | 1 | |
| | LCD1 | B3H-0033-00 | LCD | | 1 | |
| | PA1 | A6D-0056-00 | PANEL | | 1 | A1,M1,K1 |
| | PA1 | A6D-0056-04 | PANEL | | 1 | K2 |
| | PA1 | A6D-0056-03 | PANEL | | 1 | K0 |
| | RC1 | A7A-0019-00 | REMOTE CTL(IR) | | 1 | A1,M1,K2 |
| | A | QYSDSF2008ZA | TAP SCREW | M2 x 8mm | 4 | |
| | B | LV41200-004A | SPECIAL SCREW | | 3 | |
| | C | QYSDST2606ZA | TAP SCREW | M2.6 x 6mm | 2 | |
| | D | QYSDST2610ZA | TAP SCREW | M2.6 x 10mm | 1 | |
| | E | QYSDST2608ZA | TAP SCREW | M2.6 x 8mm | 2 | |
| | F | GE40377-005A | SPECIAL SCREW | | 2 | |
| | G | QYSPSG3008ZA | TAP SCREW | M3 x 8mm | 1 | |
| | H | QYSDSF2608ZA | TAP SCREW | M2.6 x 8mm | 1 | |
| | J | QYSDST2606ZA | TAP SCREW | M2.6 x 6mm | 1 | K1,K0 |
| | K | QYSDST2606ZA | TAP SCREW | M2.6 x 6mm | 1 | K1,K0 |
| | L | QYSDST2606ZA | TAP SCREW | M2.6 x 6mm | 1 | K0 |
| | 213 | A2C-0049-02 | SUB PANEL | | 1 | |
| | 215 | D1A-0023-00 | LEVER | | 1 | |
| | 216 | G0A-0027-00 | EXTEN.SPRING | | 1 | |
| | 217 | D1A-0022-00 | LEVER | | 1 | |
| | 220 | E3A-0385-00 | CORD W.CON. | | 1 | K1,K0 |
| | 221 | E3A-0316-00 | CORD W.CON. | | 1 | K0 |
| | 223 | LV46006-001A | COOLING RUBBER | | 1 | A1,M1 |
| | 251 | B1A-0038-0X | FRONT GLASS | | 1 | A1,M1 |
| | 251 | B1A-0038-0P | FRONT GLASS | | 1 | K2 |
| | 251 | B1A-0038-0L | FRONT GLASS | | 1 | K1 |
| | 251 | B1A-0038-0N | FRONT GLASS | | 1 | K0 |
| | 252 | F0G-0096-00 | COVER | | 1 | |
| | 254 | K2F-0030-00 | PUSH KNOB | | 1 | |
| | 255 | K2F-0029-00 | PUSH KNOB | | 1 | |
| | 256 | B1B-0041-03 | LENS | | 1 | |
| | 257 | B1K-0035-00 | LIGHTING BOARD | | 1 | |
| | 258 | E2K-0024-00 | CONDUCT RUBBER | | 1 | |
| | 260 | K2K-0162-00 | KNOB | | 1 | |
| | 261 | GE30999-013A | COMP.SPRING | | 1 | |
| | 262 | A4G-0031-00 | REAR COVER | | 1 | A1,M1,K2,K0 |
| | 262 | A4G-0031-02 | REAR COVER | | 1 | K1 |
| | 263 | K2K-0165-00 | KNOB BASE | | 1 | A1,M1,K2,K0 |
| | 264 | GE40127-005A | KNOB SPRING | | 1 | |
| | 268 | E2K-0029-00 | CONDUCT RUBBER | | 1 | |
| | 271 | K2K-0174-01 | KEY TOP | | 1 | K1 |
| | 272 | K2K-0105-00 | KNOB | | 1 | K1 |
| | 273 | W0C-0170-00 | RF TAG | | 1 | K1 |
| | 351 | GE40531-001A | SCREW SET | | 1 | A1,M1,K2 |
| | 352 | QYSPSF2008ZA | TAP SCREW | M2 x 8mm | 1 | |
| | 353 | GE40646-001A | HOOK | | 2 | |
| | 354 | GE20342-001A | MOUNTING SLEEVE | | 1 | |
| | 355 | B0H-0013-00 | ESCUTCHEON | | 1 | A1,M1,K2,K1 |
| | 355 | B0H-0013-01 | ESCUTCHEON | | 1 | K0 |
| | 356 | GE40521-001A | CARRYING CASE | | 1 | A1,M1 |
| | 357 | QAN0126-001 | MICROPHONE | | 1 | |
| | 501 | B5A-1345-01 | INST.MANUAL | INDO | 1 | A1 |
| | 501 | B5A-1345-00 | INST.MANUAL | ENG ARA | 1 | M1 |
| | 501 | B5A-1343-10 | INST.MANUAL | ENG FRE SPA | 1 | K2,K1,K0 |
| | 702 | ----- | SWITCH PWB ASSY | NO SERVICE PART | 1 | A1,M1,K2,K1 |
| | 702 | ----- | SWITCH PWB ASSY | NO SERVICE PART | 1 | K0 |
| | 711 | ----- | TOP PLATE | NO SERVICE PART | 1 | |
| | 712 | ----- | BOTTOM PLATE | NO SERVICE PART | 1 | |
| | 719 | ----- | HEAT SINK | NO SERVICE PART | 1 | |
| | 759 | ----- | LIGHTING BOARD | NO SERVICE PART | 1 | |
| | 765 | ----- | LCD CASE | NO SERVICE PART | 1 | |
| | 766 | ----- | OPTI.DIFFUSER | NO SERVICE PART | 1 | |
| | 767 | ----- | LIGHTING BOARD | NO SERVICE PART | 1 | |
| | 769 | ----- | REF.SHEET | NO SERVICE PART | 1 | |

| MODEL | MARK | MODEL | MARK | MODEL | MARK | MODEL | MARK |
|------------|------|-----------|------|-----------|------|------------|------|
| KMM-BT303 | A1 | KMM-BT303 | M1 | KMM-BT318 | K2 | KMM-BT318U | K1 |
| KMR-M318BT | K0 | | | | | | |

| Safe | Symbol No. | Parts No. | Parts Name | Description | QTY | Local |
|--|------------|----------------|-----------------|--------------|-----|----------|
| MAIN PWB ASSY (XJ1-193x-0x) <XJ1> | | | | | | |
| | IC161 | BD37069FV-M | ANALOG IC | | 1 | |
| | IC200 | NJM11100F1 | ANALOG IC | | 1 | A1,M1,K0 |
| | IC220 | NJM4565V-X | IC | | 1 | |
| △ | IC301 | JCV8034 | IC | | 1 | |
| | IC411 | MF1337S395901 | MCU IC | | 1 | |
| | IC470 | TC7SH08FU-X | IC(DIGITAL) | | 1 | K1,K0 |
| | IC481 | SN65HVD3082ED | MOS IC | | 1 | K0 |
| | IC482 | TC7SH08FU-X | IC(DIGITAL) | | 1 | K0 |
| | IC540 | MP9943AGQ | ANALOG IC | | 1 | |
| △ | IC601 | TEF6657HN-X | IC | | 1 | |
| △ | IC701 | STA1080 | MPU IC | BGA | 1 | |
| | IC702 | TC7SH08FU-X | IC(DIGITAL) | | 1 | |
| △ | IC821 | W3F-0265-00 | ROM IC | | 1 | |
| △ | IC822 | W25Q16DVSSIG | ROM IC | | 1 | |
| | IC831 | IC-PST8428U | MOS IC | | 1 | |
| | IC880 | BD00IA5WEFJ | ANALOG IC | | 1 | |
| | IC890 | BD2242G-G | MOS IC | | 1 | |
| △ | IC901 | LV5685PV-H | ANALOG IC | | 1 | |
| | IC930 | BD33IC0WEFJ | ANALOG IC | | 1 | |
| △ | IC1909 | M12L128168A6TG | SV-DRAM IC | | 1 | |
| | Q220 | 2SC1623/5-6/-X | TRANSISTOR | | 1 | |
| | Q250 | KRC410E-P | DIGI TRANSISTOR | | 1 | |
| | Q260 | KRC410E-P | DIGI TRANSISTOR | | 1 | A1,M1 |
| | Q270 | KRA303E-P | DIGI TRANSISTOR | | 1 | |
| | Q271 | LSAR523UBFS8 | TRANSISTOR | | 1 | |
| | Q272 | KRC403E-P | DIGI TRANSISTOR | | 1 | |
| | Q273 | KRA303E-P | DIGI TRANSISTOR | | 1 | |
| | Q274 | KRC403E-P | DIGI TRANSISTOR | | 1 | |
| | Q320 | KRC410E-P | DIGI TRANSISTOR | | 1 | |
| | Q330 | KRC410E-P | DIGI TRANSISTOR | | 1 | |
| | Q340 | KRC410E-P | DIGI TRANSISTOR | | 1 | K2,K1,K0 |
| | Q350 | KRC410E-P | DIGI TRANSISTOR | | 1 | K2,K1,K0 |
| | Q470 | KRC402E-P | DIGI TRANSISTOR | | 1 | K1,K0 |
| | Q471 | KRC410E-P | DIGI TRANSISTOR | | 1 | K1,K0 |
| | Q480 | LSCR523UBFS8 | TRANSISTOR | | 1 | K0 |
| | Q481 | LSCR523UBFS8 | TRANSISTOR | | 1 | K0 |
| | Q482 | LSCR523UBFS8 | TRANSISTOR | | 1 | K0 |
| | Q483 | LSAR523UBFS8 | TRANSISTOR | | 1 | K0 |
| | Q484 | RSR015P06 | FET | | 1 | K0 |
| | Q485 | LTC043ZUB-X | DIGI TRANSISTOR | | 1 | K0 |
| | Q486 | LTC043ZUB-X | DIGI TRANSISTOR | | 1 | K0 |
| | Q880 | LTC043EUBFS8 | DIGI TRANSISTOR | | 1 | |
| | Q920 | LTA044EEBFS8 | DIGI TRANSISTOR | | 1 | |
| | D100 | DZ2J075M | ZENER DIODE | | 1 | |
| | D101 | DZ2J075M | ZENER DIODE | | 1 | |
| | D220 | DZ2J068M | ZENER DIODE | | 1 | |
| | D222 | DZ2J056M | ZENER DIODE | | 1 | |
| | D271 | BAW56-TP-X | SI DIODE | | 1 | |
| | D273 | 1SS355VM | DIODE | | 1 | |
| | D370 | BAW56-TP-X | SI DIODE | | 1 | |
| | D390 | SM5818PL | SCHOTTKY DIODE | | 1 | |
| | D391 | MBR0530-X | SB DIODE | | 1 | |
| | D400 | RB521SM-30 | DIODE | | 1 | |
| | D401 | DZ2J051M | ZENER DIODE | | 1 | |
| | D471 | RSB6.8SM-X | BP Z DIODE | | 1 | K1,K0 |
| | D472 | RSB6.8SM-X | BP Z DIODE | | 1 | K1,K0 |
| | D473 | RSB6.8SM-X | BP Z DIODE | | 1 | K1,K0 |
| | D474 | RSB6.8SM-X | BP Z DIODE | | 1 | K1,K0 |
| | D475 | DZ2J068M | ZENER DIODE | | 1 | K1,K0 |
| | D476 | DZ2J068M | ZENER DIODE | | 1 | K1,K0 |
| | D480 | DZ2J062M | ZENER DIODE | | 1 | K0 |
| | D481 | DZ2J062M | ZENER DIODE | | 1 | K0 |
| | D482 | DZ2J051M | ZENER DIODE | | 1 | K0 |
| | D701 | DZ2J051M | ZENER DIODE | | 1 | |
| | D702 | DZ2J051M | ZENER DIODE | | 1 | |
| | D704 | DZ2J051M | ZENER DIODE | | 1 | |
| | D706 | DZ2J051M | ZENER DIODE | | 1 | |
| | D707 | DZ2J051M | ZENER DIODE | | 1 | |
| | D709 | DZ2J051M | ZENER DIODE | | 1 | |
| | D710 | DZ2J051M | ZENER DIODE | | 1 | |
| | D711 | DZ2J051M | ZENER DIODE | | 1 | |
| | D902 | SK34A-L | SCHOTTKY DIODE | | 1 | |
| | D903 | SK34A-L | SCHOTTKY DIODE | | 1 | |
| | D930 | GN1J | DIODE | | 1 | |
| △ | D990 | GN3XB | DIODE | | 1 | |
| | C101 | CK73HBB1H102K | C CAPACITOR | 1000pF 50V K | 1 | |
| | C102 | CK73HBB1H102K | C CAPACITOR | 1000pF 50V K | 1 | |
| | C103 | CK73FXR1C475K | C CAPACITOR | 4.7uF 16V K | 1 | |
| | C104 | CK73FXR1C106K | C CAPACITOR | 10uF 16V K | 1 | |
| | C105 | CK73FXR1C475K | C CAPACITOR | 4.7uF 16V K | 1 | |
| | C106 | CK73GXR1A105K | C CAPACITOR | 1uF 10V K | 1 | |
| | C161 | CE32BJ1V4R7M | E CAPACITOR | 4.7uF 35V M | 1 | |
| | C162 | CE32BJ1V4R7M | E CAPACITOR | 4.7uF 35V M | 1 | |
| | C163 | CE32BJ1V4R7M | E CAPACITOR | 4.7uF 35V M | 1 | |
| | C164 | CE32BJ1V4R7M | E CAPACITOR | 4.7uF 35V M | 1 | |
| | C165 | CE32BJ1V4R7M | E CAPACITOR | 4.7uF 35V M | 1 | |
| | C166 | CE32BJ1V4R7M | E CAPACITOR | 4.7uF 35V M | 1 | |
| | C167 | CK73FXR1C475K | C CAPACITOR | 4.7uF 16V K | 1 | |
| | C168 | CK73FXR1C475K | C CAPACITOR | 4.7uF 16V K | 1 | |
| | C169 | CE32BY1C470M | E CAPACITOR | 47uF 16V M | 1 | |

| | | | | | | | |
|------------|------|-----------|------|-----------|------|------------|------|
| MODEL | MARK | MODEL | MARK | MODEL | MARK | MODEL | MARK |
| KMM-BT303 | A1 | KMM-BT303 | M1 | KMM-BT318 | K2 | KMM-BT318U | K1 |
| KMR-M318BT | K0 | | | | | | |

| Safe | Symbol No. | Parts No. | Parts Name | Description | QTY | Local |
|------|------------|---------------|-------------|---------------|-----|----------|
| | C170 | CE32CL1C100M | E CAPACITOR | 10uF 16V M | 1 | |
| | C171 | CE32CL1E330M | E CAPACITOR | 33uF 25V M | 1 | A1,M1,K0 |
| | C195 | CC73HCH1H470J | C CAPACITOR | 47pF 50V J | 1 | |
| | C196 | CC73HCH1H470J | C CAPACITOR | 47pF 50V J | 1 | |
| | C197 | CC73HCH1H470J | C CAPACITOR | 47pF 50V J | 1 | |
| | C198 | CC73HCH1H470J | C CAPACITOR | 47pF 50V J | 1 | |
| | C199 | CC73HCH1H470J | C CAPACITOR | 47pF 50V J | 1 | |
| | C200 | CC73HCH1H470J | C CAPACITOR | 47pF 50V J | 1 | |
| | C201 | CK73HBB1C103K | C CAPACITOR | 0.01uF 16V K | 1 | A1,M1,K0 |
| | C202 | CK73FXR1C106K | C CAPACITOR | 10uF 16V K | 1 | A1,M1,K0 |
| | C203 | CK73FXR1C106K | C CAPACITOR | 10uF 16V K | 1 | A1,M1,K0 |
| | C204 | CC73HCH1H101J | C CAPACITOR | 100pF 50V J | 1 | A1,M1,K0 |
| | C222 | CK73HBB1C333K | C CAPACITOR | 0.033uF 16V K | 1 | |
| | C223 | CK73HBB1C333K | C CAPACITOR | 0.033uF 16V K | 1 | |
| | C224 | CK73HXR1A105K | C CAPACITOR | 1uF 10V K | 1 | |
| | C225 | CK73HXR1A105K | C CAPACITOR | 1uF 10V K | 1 | |
| | C226 | CC73HCH1H220J | C CAPACITOR | 22pF 50V J | 1 | |
| | C227 | CK73HBB1H471K | C CAPACITOR | 470pF 50V K | 1 | |
| | C228 | CK73HXR1A105K | C CAPACITOR | 1uF 10V K | 1 | |
| | C229 | CK73HXR1A105K | C CAPACITOR | 1uF 10V K | 1 | |
| | C230 | CK73HXR1A105K | C CAPACITOR | 1uF 10V K | 1 | |
| | C231 | CK73HBB1H471K | C CAPACITOR | 470pF 50V K | 1 | |
| | C234 | CK73GXR1C105K | C CAPACITOR | 1uF 16V K | 1 | |
| | C235 | CK73GXR1C105K | C CAPACITOR | 1uF 16V K | 1 | |
| | C236 | CK73HBB1A104K | C CAPACITOR | 0.1uF 10V K | 1 | |
| | C237 | CK73HBB1C103K | C CAPACITOR | 0.01uF 16V K | 1 | |
| | C252 | CK73EBB1C475K | C CAPACITOR | 4.7uF 16V K | 1 | |
| | C262 | CK73EBB1C475K | C CAPACITOR | 4.7uF 16V K | 1 | A1,M1 |
| | C273 | CK73GXR1A105K | C CAPACITOR | 1uF 10V K | 1 | |
| | C303 | CC73GCH1H680J | C CAPACITOR | 68pF 50V J | 1 | |
| | C304 | CE32CL1E330M | E CAPACITOR | 33uF 25V M | 1 | |
| | C305 | CC73GCH1H680J | C CAPACITOR | 68pF 50V J | 1 | |
| | C306 | CC73GCH1H680J | C CAPACITOR | 68pF 50V J | 1 | |
| | C311 | CK73GXR0J475K | C CAPACITOR | 4.7uF 6.3V K | 1 | |
| | C312 | CK730AV1C105K | C CAPACITOR | 1uF 16V K | 1 | |
| | C316 | CK730AV1C224K | C CAPACITOR | 0.22uF 16V K | 1 | |
| | C317 | CK730AV1C224K | C CAPACITOR | 0.22uF 16V K | 1 | |
| | C318 | CK730AV1C224K | C CAPACITOR | 0.22uF 16V K | 1 | |
| | C319 | CK730AV1C224K | C CAPACITOR | 0.22uF 16V K | 1 | |
| | C322 | CK73EBB1C475K | C CAPACITOR | 4.7uF 16V K | 1 | |
| | C332 | CK73EBB1C475K | C CAPACITOR | 4.7uF 16V K | 1 | |
| | C342 | CK73EBB1C475K | C CAPACITOR | 4.7uF 16V K | 1 | K2,K1,K0 |
| | C352 | CK73EBB1C475K | C CAPACITOR | 4.7uF 16V K | 1 | K2,K1,K0 |
| | C370 | CK73GXR1H104K | C CAPACITOR | 0.1uF 50V K | 1 | |
| | C390 | CK73FBB1H224K | C CAPACITOR | 0.22uF 50V K | 1 | |
| | C391 | CK73FBB1H224K | C CAPACITOR | 0.22uF 50V K | 1 | |
| | C410 | CK73GXR1H104K | C CAPACITOR | 0.1uF 50V K | 1 | |
| | C411 | CK73FXR0J106K | C CAPACITOR | 10uF 6.3V K | 1 | |
| | C472 | CK73GXR1H104K | C CAPACITOR | 0.1uF 50V K | 1 | K1,K0 |
| | C473 | CK73FXR1C106K | C CAPACITOR | 10uF 16V K | 1 | K1,K0 |
| | C474 | CK73GXR1C225K | C CAPACITOR | 2.2uF 16V K | 1 | K1,K0 |
| | C475 | CK73GXR1A225K | C CAPACITOR | 2.2uF 10V K | 1 | K1,K0 |
| | C480 | CK73GBB1H103K | C CAPACITOR | 0.01uF 50V K | 1 | K0 |
| | C481 | CK73GXR1H104K | C CAPACITOR | 0.1uF 50V K | 1 | K0 |
| | C482 | CK73HXR1A105K | C CAPACITOR | 1uF 10V K | 1 | K0 |
| | C483 | CK73GXR1H104K | C CAPACITOR | 0.1uF 50V K | 1 | K0 |
| | C484 | CK73GBB1H102K | C CAPACITOR | 1000pF 50V K | 1 | K0 |
| | C485 | CK73HBB1H103K | C CAPACITOR | 0.01uF 50V K | 1 | K0 |
| | C486 | CK73HBB1E682K | C CAPACITOR | 6800pF 25V K | 1 | K0 |
| | C540 | CE32CC1A151M | E CAPACITOR | 150uF 10V M | 1 | |
| | C541 | CK73EBB1A106K | C CAPACITOR | 10uF 10V K | 1 | |
| | C543 | CK73GXR1H104K | C CAPACITOR | 0.1uF 50V K | 1 | |
| | C545 | CK73EBB1A106K | C CAPACITOR | 10uF 10V K | 1 | |
| | C547 | CK73HBB1A104K | C CAPACITOR | 0.1uF 10V K | 1 | |
| | C548 | CK73HBB0J224K | C CAPACITOR | 0.22uF 6.3V K | 1 | |
| | C549 | CK73HBB0J224K | C CAPACITOR | 0.22uF 6.3V K | 1 | |
| | C550 | CC73HCH1H150J | C CAPACITOR | 15pF 50V J | 1 | |
| | C601 | CK73FXR0J106K | C CAPACITOR | 10uF 6.3V K | 1 | |
| | C602 | CK73FXR0J106K | C CAPACITOR | 10uF 6.3V K | 1 | |
| | C603 | CK73HBB1A104K | C CAPACITOR | 0.1uF 10V K | 1 | |
| | C604 | CK73HBB1H152K | C CAPACITOR | 1500pF 50V K | 1 | |
| | C605 | CK73GBB1H102K | C CAPACITOR | 1000pF 50V K | 1 | |
| | C606 | CC73HCH1H090D | C CAPACITOR | 9pF 50V D | 1 | |
| △ | C607 | CC73GCH1H010C | C CAPACITOR | 1pF 50V C | 1 | |
| | C608 | CK73GBB1H102K | C CAPACITOR | 1000pF 50V K | 1 | |
| | C609 | CK73HBB1A104K | C CAPACITOR | 0.1uF 10V K | 1 | |
| | C610 | CC73GCH1H120J | C CAPACITOR | 12pF 50V J | 1 | |
| | C611 | CC73HCH1H010C | C CAPACITOR | 1pF 50V C | 1 | |
| | C612 | CK73GBB1H103K | C CAPACITOR | 0.01uF 50V K | 1 | |
| | C614 | CC73HCH1H220J | C CAPACITOR | 22pF 50V J | 1 | |
| | C615 | CC73GCH1H330J | C CAPACITOR | 33pF 50V J | 1 | |
| | C616 | CK73HBB1H102K | C CAPACITOR | 1000pF 50V K | 1 | |
| | C617 | CK73HBB0J224K | C CAPACITOR | 0.22uF 6.3V K | 1 | |
| | C618 | CK73HBB1A104K | C CAPACITOR | 0.1uF 10V K | 1 | |
| | C619 | CK73HBB1A104K | C CAPACITOR | 0.1uF 10V K | 1 | |
| | C620 | CK73HXR1A105K | C CAPACITOR | 1uF 10V K | 1 | |
| | C621 | CK73HXR1A105K | C CAPACITOR | 1uF 10V K | 1 | |
| | C624 | CK73GXR1H104K | C CAPACITOR | 0.1uF 50V K | 1 | |
| | C702 | CK73FXR1C106K | C CAPACITOR | 10uF 16V K | 1 | |
| | C703 | CK73HBB1H103K | C CAPACITOR | 0.01uF 50V K | 1 | |

| | | | | | | | |
|------------|------|-----------|------|-----------|------|------------|------|
| MODEL | MARK | MODEL | MARK | MODEL | MARK | MODEL | MARK |
| KMM-BT303 | A1 | KMM-BT303 | M1 | KMM-BT318 | K2 | KMM-BT318U | K1 |
| KMR-M318BT | K0 | | | | | | |

| Safe | Symbol No. | Parts No. | Parts Name | Description | QTY | Local |
|------|------------|---------------|-------------|--------------|-----|-------|
| | C704 | CC73HCH1H150J | C CAPACITOR | 15pF 50V J | 1 | |
| | C705 | CC73HCH1H150J | C CAPACITOR | 15pF 50V J | 1 | |
| | C706 | CK73FXR1C106K | C CAPACITOR | 10uF 16V K | 1 | |
| | C707 | CK73HBB1H103K | C CAPACITOR | 0.01uF 50V K | 1 | |
| | C709 | CK73HXR1A105K | C CAPACITOR | 1uF 10V K | 1 | |
| | C710 | CK73HBB1H222K | C CAPACITOR | 2200pF 50V K | 1 | |
| | C711 | CK73GBB1H471K | C CAPACITOR | 470pF 50V K | 1 | |
| | C713 | CK73HXR1A105K | C CAPACITOR | 1uF 10V K | 1 | |
| | C714 | CK73GBB1H103K | C CAPACITOR | 0.01uF 50V K | 1 | |
| | C716 | CC73GCH1H101J | C CAPACITOR | 100pF 50V J | 1 | |
| | C719 | CK73HXR1A105K | C CAPACITOR | 1uF 10V K | 1 | |
| | C720 | CK73HBB1A104K | C CAPACITOR | 0.1uF 10V K | 1 | |
| | C722 | CK73FXR0J106K | C CAPACITOR | 10uF 6.3V K | 1 | |
| | C724 | CK73HBB1C103K | C CAPACITOR | 0.01uF 16V K | 1 | |
| | C725 | CK73FXR1C106K | C CAPACITOR | 10uF 16V K | 1 | |
| | C726 | CK73HBB1C103K | C CAPACITOR | 0.01uF 16V K | 1 | |
| | C727 | CK73FXR1C106K | C CAPACITOR | 10uF 16V K | 1 | |
| | C728 | CC73HCH1H101J | C CAPACITOR | 100pF 50V J | 1 | |
| | C729 | CK73FXR1A475K | C CAPACITOR | 4.7uF 10V K | 1 | |
| | C730 | CC73HCH1H101J | C CAPACITOR | 100pF 50V J | 1 | |
| | C731 | CK73FXR1A475K | C CAPACITOR | 4.7uF 10V K | 1 | |
| | C733 | CK73GXR0J475K | C CAPACITOR | 4.7uF 6.3V K | 1 | |
| | C735 | CK73HBB1H472K | C CAPACITOR | 4700pF 50V K | 1 | |
| | C736 | CC73HCH1H070D | C CAPACITOR | 7pF 50V D | 1 | |
| | C737 | CC73HCH1H070D | C CAPACITOR | 7pF 50V D | 1 | |
| | C738 | CK73HBB1H472K | C CAPACITOR | 4700pF 50V K | 1 | |
| | C740 | CC73HCH1H101J | C CAPACITOR | 100pF 50V J | 1 | |
| | C741 | CC73HCH1H100D | C CAPACITOR | 10pF 50V D | 1 | |
| | C742 | CC73HCH1H101J | C CAPACITOR | 100pF 50V J | 1 | |
| | C750 | CK73GXR0J475K | C CAPACITOR | 4.7uF 6.3V K | 1 | |
| | C756 | CK73HXR1A105K | C CAPACITOR | 1uF 10V K | 1 | |
| | C820 | CK73GBB1H472K | C CAPACITOR | 4700pF 50V K | 1 | |
| | C821 | CK73GBB1H471K | C CAPACITOR | 470pF 50V K | 1 | |
| | C824 | CC73HCH1H101J | C CAPACITOR | 100pF 50V J | 1 | |
| | C830 | CK73HBB1H471K | C CAPACITOR | 470pF 50V K | 1 | |
| | C831 | CK73GXR1C105K | C CAPACITOR | 1uF 16V K | 1 | |
| | C832 | CK73HBB1A104K | C CAPACITOR | 0.1uF 10V K | 1 | |
| | C880 | CK73FXR1C475K | C CAPACITOR | 4.7uF 16V K | 1 | |
| | C890 | CK73GXR1C105K | C CAPACITOR | 1uF 16V K | 1 | |
| | C891 | CK73FXR0J106K | C CAPACITOR | 10uF 6.3V K | 1 | |
| | C892 | CK73HXR1A105K | C CAPACITOR | 1uF 10V K | 1 | |
| | C903 | CE32BZ1C220M | E CAPACITOR | | 1 | |
| | C904 | CK73GXR1A105K | C CAPACITOR | 1uF 10V K | 1 | |
| | C906 | CK73HXR1A105K | C CAPACITOR | 1uF 10V K | 1 | |
| | C907 | CE32BZ0J101M | E CAPACITOR | | 1 | |
| | C908 | CK73GXR1A105K | C CAPACITOR | 1uF 10V K | 1 | |
| | C909 | CK73HBB1A104K | C CAPACITOR | 0.1uF 10V K | 1 | |
| | C910 | CK73GXR1A105K | C CAPACITOR | 1uF 10V K | 1 | |
| | C911 | CK73GXR1H104K | C CAPACITOR | 0.1uF 50V K | 1 | |
| | C912 | CK73GXR1A105K | C CAPACITOR | 1uF 10V K | 1 | |
| | C914 | CK73GXR1A105K | C CAPACITOR | 1uF 10V K | 1 | |
| | C916 | CK73GBB1H103K | C CAPACITOR | 0.01uF 50V K | 1 | |
| | C918 | CE32BZ1C221M | E CAPACITOR | 220uF 16V M | 1 | |
| | C919 | CE32BZ1C221M | E CAPACITOR | 220uF 16V M | 1 | |
| | C930 | CK73GXR1H104K | C CAPACITOR | 0.1uF 50V K | 1 | |
| | C931 | CK73FXR0J106K | C CAPACITOR | 10uF 6.3V K | 1 | |
| | C990 | CD04EU1C222M1 | E CAPACITOR | | 1 | |
| | C1001 | CK73GBB1H221K | C CAPACITOR | 220pF 50V K | 1 | |
| | C1002 | CK73HXR1A105K | C CAPACITOR | 1uF 10V K | 1 | |
| | C1005 | CK73HBB1H222K | C CAPACITOR | 2200pF 50V K | 1 | |
| | C1006 | CK73HBB1C103K | C CAPACITOR | 0.01uF 16V K | 1 | |
| | C1009 | CK73HBB1A104K | C CAPACITOR | 0.1uF 10V K | 1 | |
| | C1010 | CK73GBB1H471K | C CAPACITOR | 470pF 50V K | 1 | A1,M1 |
| | C1011 | CK73GBB1H471K | C CAPACITOR | 470pF 50V K | 1 | A1,M1 |
| | C1012 | CK73GBB1H471K | C CAPACITOR | 470pF 50V K | 1 | A1,M1 |
| | C1013 | CK73GBB1H471K | C CAPACITOR | 470pF 50V K | 1 | A1,M1 |
| | C1014 | CK73GBB1H471K | C CAPACITOR | 470pF 50V K | 1 | A1,M1 |
| | C1015 | CK73GBB1H471K | C CAPACITOR | 470pF 50V K | 1 | A1,M1 |
| | C1016 | CK73GBB1H471K | C CAPACITOR | 470pF 50V K | 1 | A1,M1 |
| | C1017 | CK73GBB1H471K | C CAPACITOR | 470pF 50V K | 1 | A1,M1 |
| | C1020 | CK73GBB1C104K | C CAPACITOR | 0.1uF 16V K | 1 | |
| | C1021 | CK73GXR1A105K | C CAPACITOR | 1uF 10V K | 1 | |
| | C1022 | CK73GXR1C105K | C CAPACITOR | 1uF 16V K | 1 | |
| | C1023 | CK73GBB1H471K | C CAPACITOR | 470pF 50V K | 1 | |
| | C1024 | CK73GBB1H221K | C CAPACITOR | 220pF 50V K | 1 | |
| | C1025 | CK73GBB1H103K | C CAPACITOR | 0.01uF 50V K | 1 | |
| | C1026 | CK73GBB1H221K | C CAPACITOR | 220pF 50V K | 1 | |
| | C1027 | CK73GXR1A105K | C CAPACITOR | 1uF 10V K | 1 | |
| | C1028 | CK73GBB1H221K | C CAPACITOR | 220pF 50V K | 1 | |
| | C1029 | CK73GBB1H103K | C CAPACITOR | 0.01uF 50V K | 1 | |
| | C1030 | CK73HBB1H471K | C CAPACITOR | 470pF 50V K | 1 | |
| | C1031 | CK73HBB1H471K | C CAPACITOR | 470pF 50V K | 1 | |
| | C1032 | CK73HXR1A105K | C CAPACITOR | 1uF 10V K | 1 | |
| | C1050 | CC73GCH1H050C | C CAPACITOR | 5pF 50V C | 1 | |
| | C1300 | CK73HXR1A105K | C CAPACITOR | 1uF 10V K | 1 | |
| | C1301 | CK73HBB1C103K | C CAPACITOR | 0.01uF 16V K | 1 | |
| | C1600 | CK73GXR1H104K | C CAPACITOR | 0.1uF 50V K | 1 | |
| | C1601 | CK73GXR1H104K | C CAPACITOR | 0.1uF 50V K | 1 | |
| | C1602 | CK73FXR0J106K | C CAPACITOR | 10uF 6.3V K | 1 | |
| | C1603 | CK73HBB1A104K | C CAPACITOR | 0.1uF 10V K | 1 | |
| | C1604 | CK73GXR1H104K | C CAPACITOR | 0.1uF 50V K | 1 | |
| | C1909 | CK73HBB1A104K | C CAPACITOR | 0.1uF 10V K | 1 | |

| | | | | | | | |
|------------|------|-----------|------|-----------|------|------------|------|
| MODEL | MARK | MODEL | MARK | MODEL | MARK | MODEL | MARK |
| KMM-BT303 | A1 | KMM-BT303 | M1 | KMM-BT318 | K2 | KMM-BT318U | K1 |
| KMR-M318BT | K0 | | | | | | |

| Safe | Symbol No. | Parts No. | Parts Name | Description | QTY | Local |
|------|------------|---------------|-------------|---------------|-----|----------|
| | C1910 | CK73HBB1A104K | C CAPACITOR | 0.1uF 10V K | 1 | |
| | C1911 | CK73HBB1A104K | C CAPACITOR | 0.1uF 10V K | 1 | |
| | C1912 | CK73HXR1A105K | C CAPACITOR | 1uF 10V K | 1 | |
| | C1913 | CK73HBB1A104K | C CAPACITOR | 0.1uF 10V K | 1 | |
| | C1914 | CK73HBB1A104K | C CAPACITOR | 0.1uF 10V K | 1 | |
| | C1915 | CK73FXR0J106K | C CAPACITOR | 10uF 6.3V K | 1 | |
| | C1916 | CK73HBB1A104K | C CAPACITOR | 0.1uF 10V K | 1 | |
| | C2002 | CK73FXR0J106K | C CAPACITOR | 10uF 6.3V K | 1 | |
| | C2005 | CK73GBB1H821K | C CAPACITOR | 820pF 50V K | 1 | |
| | C2006 | CK73GXR1A105K | C CAPACITOR | 1uF 10V K | 1 | |
| | C2007 | CC73HCH1H820J | C CAPACITOR | 82pF 50V J | 1 | |
| | C2008 | CC73GCH1H271J | C CAPACITOR | 270pF 50V J | 1 | |
| | C2009 | CK73GXR1A105K | C CAPACITOR | 1uF 10V K | 1 | |
| | C2010 | CK73FXR0J106K | C CAPACITOR | 10uF 6.3V K | 1 | |
| | C2011 | CK73GXR1H104K | C CAPACITOR | 0.1uF 50V K | 1 | |
| | C2012 | CK73GXR1A105K | C CAPACITOR | 1uF 10V K | 1 | |
| | C2013 | CK73FXR0J106K | C CAPACITOR | 10uF 6.3V K | 1 | |
| | C2014 | CK73FXR0J106K | C CAPACITOR | 10uF 6.3V K | 1 | |
| | C2015 | CK73GBB1H152K | C CAPACITOR | 1500pF 50V K | 1 | |
| | C2016 | CK73GXR0J475K | C CAPACITOR | 4.7uF 6.3V K | 1 | |
| | C2017 | CK73GBB1H471K | C CAPACITOR | 470pF 50V K | 1 | |
| | C2018 | CK73GBB1H471K | C CAPACITOR | 470pF 50V K | 1 | |
| | C2019 | CK73GXR1H104K | C CAPACITOR | 0.1uF 50V K | 1 | |
| | C2020 | CK73GXR1A105K | C CAPACITOR | 1uF 10V K | 1 | |
| | C2021 | CK73GBB1C224K | C CAPACITOR | 0.22uF 16V K | 1 | |
| | C2022 | CC73GCH1H680J | C CAPACITOR | 68pF 50V J | 1 | |
| | C2023 | CK73HXR1A105K | C CAPACITOR | 1uF 10V K | 1 | |
| | C2024 | CK73GBB1H471K | C CAPACITOR | 470pF 50V K | 1 | |
| | C2025 | CK73HXR1A105K | C CAPACITOR | 1uF 10V K | 1 | |
| | C2026 | CK73FXR0J106K | C CAPACITOR | 10uF 6.3V K | 1 | |
| | C2028 | CK73GXR0J475K | C CAPACITOR | 4.7uF 6.3V K | 1 | K1,K0 |
| | C2029 | CC73GCH1H050C | C CAPACITOR | 5pF 50V C | 1 | |
| | C2030 | CC73GCH1H050C | C CAPACITOR | 5pF 50V C | 1 | |
| | C2031 | CK73GBB1H103K | C CAPACITOR | 0.01uF 50V K | 1 | |
| | C2032 | CK73GXR1A105K | C CAPACITOR | 1uF 10V K | 1 | |
| | C2034 | CK73GXR1A105K | C CAPACITOR | 1uF 10V K | 1 | |
| | C2035 | CK73HXR1A105K | C CAPACITOR | 1uF 10V K | 1 | |
| | C2037 | CK73GXR0J475K | C CAPACITOR | 4.7uF 6.3V K | 1 | A1,M1,K2 |
| | C2038 | CK73GXR1A105K | C CAPACITOR | 1uF 10V K | 1 | |
| | C2039 | CC73HCH1H101J | C CAPACITOR | 100pF 50V J | 1 | |
| | C2040 | CC73HCH1H100D | C CAPACITOR | 10pF 50V D | 1 | |
| | C2041 | CC73HCH1H101J | C CAPACITOR | 100pF 50V J | 1 | |
| | C2042 | CC73HCH1H101J | C CAPACITOR | 100pF 50V J | 1 | |
| | C2044 | CC73HCH1H101J | C CAPACITOR | 100pF 50V J | 1 | |
| | C2060 | CK73HBB1H472K | C CAPACITOR | 4700pF 50V K | 1 | |
| | C2066 | CK73HXR1A105K | C CAPACITOR | 1uF 10V K | 1 | |
| | C2067 | CC73HCH1H101J | C CAPACITOR | 100pF 50V J | 1 | |
| | C2072 | CK73HBB1H472K | C CAPACITOR | 4700pF 50V K | 1 | |
| | C2073 | CC73HCH1H101J | C CAPACITOR | 100pF 50V J | 1 | |
| | C2080 | CC73GCH1H050C | C CAPACITOR | 5pF 50V C | 1 | |
| | C2083 | CK73GBB1H103K | C CAPACITOR | 0.01uF 50V K | 1 | |
| | C2085 | CK73HBB1C103K | C CAPACITOR | 0.01uF 16V K | 1 | K0 |
| | C2114 | CK73HBB1H472K | C CAPACITOR | 4700pF 50V K | 1 | |
| | C2118 | CE32BZ0J101M | E CAPACITOR | | 1 | |
| | R100 | RK73GB2A471J | MG RESISTOR | 470Ω 1/10W J | 1 | |
| | R101 | RK73HB1J471J | MG RESISTOR | 470Ω 1/16W J | 1 | |
| | R102 | RK73HB1J471J | MG RESISTOR | 470Ω 1/16W J | 1 | |
| | R103 | RK73HB1J473J | MG RESISTOR | 47kΩ 1/16W J | 1 | |
| | R104 | RK73HB1J473J | MG RESISTOR | 47kΩ 1/16W J | 1 | |
| | R160 | RK73HB1J000J | MG RESISTOR | 0Ω 1/16W J | 1 | A1,M1,K0 |
| | R161 | RK73HB1J000J | MG RESISTOR | 0Ω 1/16W J | 1 | A1,M1,K0 |
| | R162 | RK73HB1J101J | MG RESISTOR | 100Ω 1/16W J | 1 | |
| | R173 | RK73HB1J101J | MG RESISTOR | 100Ω 1/16W J | 1 | |
| | R175 | RK73GB2A000J | MG RESISTOR | 0Ω 1/10W J | 1 | K2,K1 |
| | R188 | RK73GB2A000J | MG RESISTOR | 0Ω 1/10W J | 1 | |
| | R189 | RK73HB1J222J | MG RESISTOR | 2.2kΩ 1/16W J | 1 | |
| | R190 | RK73HB1J222J | MG RESISTOR | 2.2kΩ 1/16W J | 1 | |
| | R191 | RK73HB1J222J | MG RESISTOR | 2.2kΩ 1/16W J | 1 | |
| | R192 | RK73HB1J222J | MG RESISTOR | 2.2kΩ 1/16W J | 1 | |
| | R193 | RK73HB1J222J | MG RESISTOR | 2.2kΩ 1/16W J | 1 | |
| | R194 | RK73HB1J222J | MG RESISTOR | 2.2kΩ 1/16W J | 1 | |
| | R195 | RK73HB1J000J | MG RESISTOR | 0Ω 1/16W J | 1 | |
| | R196 | RK73HB1J000J | MG RESISTOR | 0Ω 1/16W J | 1 | |
| | R197 | RK73HB1J000J | MG RESISTOR | 0Ω 1/16W J | 1 | |
| | R198 | RK73HB1J000J | MG RESISTOR | 0Ω 1/16W J | 1 | |
| | R199 | RK73HB1J000J | MG RESISTOR | 0Ω 1/16W J | 1 | |
| | R200 | RK73HB1J000J | MG RESISTOR | 0Ω 1/16W J | 1 | |
| | R201 | RK73HH1J132D | MG RESISTOR | 1.3kΩ 1/16W D | 1 | A1,M1,K0 |
| | R202 | RK73HH1J752D | MG RESISTOR | 7.5kΩ 1/16W D | 1 | A1,M1,K0 |
| | R220 | RK73HB1J101J | MG RESISTOR | 100Ω 1/16W J | 1 | |
| | R221 | RK73HB1J101J | MG RESISTOR | 100Ω 1/16W J | 1 | |
| | R222 | RK73HB1J000J | MG RESISTOR | 0Ω 1/16W J | 1 | |
| | R223 | RK73HB1J822J | MG RESISTOR | 8.2kΩ 1/16W J | 1 | |
| | R224 | RK73HB1J103J | MG RESISTOR | 10kΩ 1/16W J | 1 | |
| | R225 | RK73HB1J333J | MG RESISTOR | 33kΩ 1/16W J | 1 | |
| | R226 | RK73HB1J122J | MG RESISTOR | 1.2kΩ 1/16W J | 1 | |
| | R227 | RK73HB1J124J | MG RESISTOR | 120kΩ 1/16W J | 1 | |
| | R229 | RK73HB1J122J | MG RESISTOR | 1.2kΩ 1/16W J | 1 | |
| | R230 | RK73HB1J124J | MG RESISTOR | 120kΩ 1/16W J | 1 | |
| | R232 | RK73HB1J103J | MG RESISTOR | 10kΩ 1/16W J | 1 | |

| | | | | | | | |
|------------|------|-----------|------|-----------|------|------------|------|
| MODEL | MARK | MODEL | MARK | MODEL | MARK | MODEL | MARK |
| KMM-BT303 | A1 | KMM-BT303 | M1 | KMM-BT318 | K2 | KMM-BT318U | K1 |
| KMR-M318BT | K0 | | | | | | |

| Safe | Symbol No. | Parts No. | Parts Name | Description | QTY | Local |
|------|------------|--------------|-------------|---------------|-----|----------|
| | R233 | RK73GB2A681J | MG RESISTOR | 680Ω 1/10W J | 1 | |
| | R234 | RK73HB1J222J | MG RESISTOR | 2.2kΩ 1/16W J | 1 | |
| | R237 | RK73HB1J471J | MG RESISTOR | 470Ω 1/16W J | 1 | |
| | R238 | RK73HB1J103J | MG RESISTOR | 10kΩ 1/16W J | 1 | |
| | R250 | RK73HB1J181J | MG RESISTOR | 180Ω 1/16W J | 1 | |
| | R251 | RK73HB1J223J | MG RESISTOR | 22kΩ 1/16W J | 1 | |
| | R252 | RK73HB1J331J | MG RESISTOR | 330Ω 1/16W J | 1 | |
| | R253 | RK73GB2A000J | MG RESISTOR | 0Ω 1/10W J | 1 | K2,K1,K0 |
| | R260 | RK73HB1J181J | MG RESISTOR | 180Ω 1/16W J | 1 | A1,M1 |
| | R261 | RK73HB1J223J | MG RESISTOR | 22kΩ 1/16W J | 1 | A1,M1 |
| | R262 | RK73HB1J331J | MG RESISTOR | 330Ω 1/16W J | 1 | A1,M1 |
| | R270 | RK73GB2A104J | MG RESISTOR | 100kΩ 1/10W J | 1 | |
| | R271 | RK73HB1J331J | MG RESISTOR | 330Ω 1/16W J | 1 | |
| | R272 | RK73HB1J303J | MG RESISTOR | 30kΩ 1/16W J | 1 | |
| | R273 | RK73GB2A223J | MG RESISTOR | 22kΩ 1/10W J | 1 | |
| | R302 | RK73GB2A432J | MG RESISTOR | 4.3kΩ 1/10W J | 1 | |
| | R303 | RK73EB2E160J | MG RESISTOR | 16Ω 1/4W J | 1 | |
| | R304 | RK73GB2A473J | MG RESISTOR | 47kΩ 1/10W J | 1 | |
| | R305 | RK73EB2E1R0J | MG RESISTOR | 1Ω 1/4W J | 1 | |
| | R316 | RK73HB1J680J | MG RESISTOR | 68Ω 1/16W J | 1 | |
| | R317 | RK73HB1J680J | MG RESISTOR | 68Ω 1/16W J | 1 | |
| | R318 | RK73HB1J680J | MG RESISTOR | 68Ω 1/16W J | 1 | |
| | R319 | RK73HB1J680J | MG RESISTOR | 68Ω 1/16W J | 1 | |
| | R320 | RK73HB1J181J | MG RESISTOR | 180Ω 1/16W J | 1 | |
| | R321 | RK73HB1J223J | MG RESISTOR | 22kΩ 1/16W J | 1 | |
| | R323 | RK73HB1J331J | MG RESISTOR | 330Ω 1/16W J | 1 | |
| | R330 | RK73HB1J181J | MG RESISTOR | 180Ω 1/16W J | 1 | |
| | R331 | RK73HB1J223J | MG RESISTOR | 22kΩ 1/16W J | 1 | |
| | R333 | RK73HB1J331J | MG RESISTOR | 330Ω 1/16W J | 1 | |
| | R340 | RK73HB1J181J | MG RESISTOR | 180Ω 1/16W J | 1 | K2,K1,K0 |
| | R341 | RK73HB1J223J | MG RESISTOR | 22kΩ 1/16W J | 1 | K2,K1,K0 |
| | R343 | RK73HB1J331J | MG RESISTOR | 330Ω 1/16W J | 1 | K2,K1,K0 |
| | R350 | RK73HB1J181J | MG RESISTOR | 180Ω 1/16W J | 1 | K2,K1,K0 |
| | R351 | RK73HB1J223J | MG RESISTOR | 22kΩ 1/16W J | 1 | K2,K1,K0 |
| | R353 | RK73HB1J331J | MG RESISTOR | 330Ω 1/16W J | 1 | K2,K1,K0 |
| | R370 | RK73HB1J683J | MG RESISTOR | 68kΩ 1/16W J | 1 | |
| | R371 | RK73HB1J123J | MG RESISTOR | 12kΩ 1/16W J | 1 | |
| | R372 | RK73GB2A103J | MG RESISTOR | 10kΩ 1/10W J | 1 | |
| | R390 | RK73EB2E472J | MG RESISTOR | 4.7kΩ 1/4W J | 1 | |
| | R400 | RK73HB1J102J | MG RESISTOR | 1kΩ 1/16W J | 1 | |
| | R410 | RK73HB1J101J | MG RESISTOR | 100Ω 1/16W J | 1 | |
| | R411 | RK73HB1J101J | MG RESISTOR | 100Ω 1/16W J | 1 | |
| | R412 | RK73HB1J472J | MG RESISTOR | 4.7kΩ 1/16W J | 1 | |
| | R413 | RK73HB1J472J | MG RESISTOR | 4.7kΩ 1/16W J | 1 | |
| | R414 | RK73HB1J472J | MG RESISTOR | 4.7kΩ 1/16W J | 1 | |
| | R471 | RK73HB1J101J | MG RESISTOR | 100Ω 1/16W J | 1 | K1,K0 |
| | R472 | RK73HB1J101J | MG RESISTOR | 100Ω 1/16W J | 1 | K1,K0 |
| | R473 | RK73GB2A472J | MG RESISTOR | 4.7kΩ 1/10W J | 1 | K1,K0 |
| | R474 | RK73FB2B221J | MG RESISTOR | 220Ω 1/8W J | 1 | K1,K0 |
| | R475 | RK73HB1J100J | MG RESISTOR | 10Ω 1/16W J | 1 | K1,K0 |
| | R476 | RK73HB1J223J | MG RESISTOR | 22kΩ 1/16W J | 1 | K1,K0 |
| | R477 | RK73HB1J104J | MG RESISTOR | 100kΩ 1/16W J | 1 | K1,K0 |
| | R480 | RK73HB1J334J | MG RESISTOR | 330kΩ 1/16W J | 1 | K0 |
| | R481 | RK73EB2E3R3J | MG RESISTOR | 3.3Ω 1/4W J | 1 | K0 |
| | R482 | RK73EB2E3R3J | MG RESISTOR | 3.3Ω 1/4W J | 1 | K0 |
| | R483 | RK73HB1J104J | MG RESISTOR | 100kΩ 1/16W J | 1 | K0 |
| | R484 | RK73HB1J473J | MG RESISTOR | 47kΩ 1/16W J | 1 | K0 |
| | R485 | RK73HB1J153J | MG RESISTOR | 15kΩ 1/16W J | 1 | K0 |
| | R486 | RK73HB1J473J | MG RESISTOR | 47kΩ 1/16W J | 1 | K0 |
| | R487 | RK73HB1J223J | MG RESISTOR | 22kΩ 1/16W J | 1 | K0 |
| | R488 | RK73GB2A104J | MG RESISTOR | 100kΩ 1/10W J | 1 | K0 |
| | R489 | RK73HB1J333J | MG RESISTOR | 33kΩ 1/16W J | 1 | K0 |
| | R490 | RK73HB1J183J | MG RESISTOR | 18kΩ 1/16W J | 1 | K0 |
| | R491 | RK73EB2E101J | MG RESISTOR | 100Ω 1/4W J | 1 | K0 |
| | R492 | RK73GB2A102J | MG RESISTOR | 1kΩ 1/10W J | 1 | K0 |
| | R493 | RK73EB2E101J | MG RESISTOR | 100Ω 1/4W J | 1 | K0 |
| | R494 | RK73HB1J332J | MG RESISTOR | 3.3kΩ 1/16W J | 1 | K0 |
| | R495 | RK73EB2E100J | MG RESISTOR | 10Ω 1/4W J | 1 | K0 |
| | R496 | RK73HB1J473J | MG RESISTOR | 47kΩ 1/16W J | 1 | K0 |
| | R497 | RK73HB1J332J | MG RESISTOR | 3.3kΩ 1/16W J | 1 | K0 |
| | R541 | RK73HB1J512J | MG RESISTOR | 5.1kΩ 1/16W J | 1 | |
| | R542 | RK73GB2A102J | MG RESISTOR | 1kΩ 1/10W J | 1 | |
| | R543 | RK73HB1J200J | MG RESISTOR | 20Ω 1/16W J | 1 | |
| | R544 | RK73HB1J393J | MG RESISTOR | 39kΩ 1/16W J | 1 | |
| | R545 | RK73HH1J183D | MG RESISTOR | 18kΩ 1/16W D | 1 | |
| | R546 | RK73HH1J393D | MG RESISTOR | 39kΩ 1/16W D | 1 | |
| | R548 | RK73HH1J683D | MG RESISTOR | 68kΩ 1/16W D | 1 | |
| | R601 | RK73HB1J101J | MG RESISTOR | 100Ω 1/16W J | 1 | |
| | R602 | RK73GB2A820J | MG RESISTOR | 82Ω 1/10W J | 1 | |
| | R603 | RK73HB1J105J | MG RESISTOR | 1MΩ 1/16W J | 1 | |
| | R604 | RK73HB1J105J | MG RESISTOR | 1MΩ 1/16W J | 1 | |
| | R605 | RK73HB1J4R7J | MG RESISTOR | 4.7Ω 1/16W J | 1 | |
| | R611 | RK73HB1J101J | MG RESISTOR | 100Ω 1/16W J | 1 | |
| | R682 | RK73HB1J101J | MG RESISTOR | 100Ω 1/16W J | 1 | |
| | R683 | RK73GB2A000J | MG RESISTOR | 0Ω 1/10W J | 1 | |
| | R684 | RK73HB1J392J | MG RESISTOR | 3.9kΩ 1/16W J | 1 | |
| | R685 | RK73HB1J392J | MG RESISTOR | 3.9kΩ 1/16W J | 1 | |
| | R688 | RK73GB2A332J | MG RESISTOR | 3.3kΩ 1/10W J | 1 | |
| | R690 | RK73HB1J102J | MG RESISTOR | 1kΩ 1/16W J | 1 | |
| | R691 | RK73HB1J102J | MG RESISTOR | 1kΩ 1/16W J | 1 | |
| | R702 | RK73HB1J222J | MG RESISTOR | 2.2kΩ 1/16W J | 1 | |
| | R703 | RK73HB1J101J | MG RESISTOR | 100Ω 1/16W J | 1 | |

| | | | | | | | |
|------------|------|-----------|------|-----------|------|------------|------|
| MODEL | MARK | MODEL | MARK | MODEL | MARK | MODEL | MARK |
| KMM-BT303 | A1 | KMM-BT303 | M1 | KMM-BT318 | K2 | KMM-BT318U | K1 |
| KMR-M318BT | K0 | | | | | | |

| Safe | Symbol No. | Parts No. | Parts Name | Description | QTY | Local |
|------|------------|--------------|-------------|---------------|-----|-------------|
| | R704 | RK73HB1J222J | MG RESISTOR | 2.2kΩ 1/16W J | 1 | |
| | R705 | RK73HB1J101J | MG RESISTOR | 100Ω 1/16W J | 1 | |
| | R709 | RK73HB1J472J | MG RESISTOR | 4.7kΩ 1/16W J | 1 | |
| | R710 | RK73HB1J473J | MG RESISTOR | 47kΩ 1/16W J | 1 | |
| | R711 | RK73HB1J473J | MG RESISTOR | 47kΩ 1/16W J | 1 | |
| | R712 | RK73GB2A473J | MG RESISTOR | 47kΩ 1/10W J | 1 | |
| | R713 | RK73HB1J103J | MG RESISTOR | 10kΩ 1/16W J | 1 | |
| | R714 | RK73HB1J274J | MG RESISTOR | 270kΩ 1/16W J | 1 | |
| | R718 | RK73HB1J472J | MG RESISTOR | 4.7kΩ 1/16W J | 1 | |
| | R720 | RK73HB1J332J | MG RESISTOR | 3.3kΩ 1/16W J | 1 | K0 |
| | R726 | RK73HB1J103J | MG RESISTOR | 10kΩ 1/16W J | 1 | |
| | R730 | RK73HB1J222J | MG RESISTOR | 2.2kΩ 1/16W J | 1 | |
| | R739 | RK73HB1J102J | MG RESISTOR | 1kΩ 1/16W J | 1 | |
| | R740 | RK73HB1J472J | MG RESISTOR | 4.7kΩ 1/16W J | 1 | |
| | R742 | RK73HB1J101J | MG RESISTOR | 100Ω 1/16W J | 1 | |
| | R743 | RK73HB1J222J | MG RESISTOR | 2.2kΩ 1/16W J | 1 | |
| | R746 | RK73HB1J000J | MG RESISTOR | 0Ω 1/16W J | 1 | |
| | R755 | RK73HB1J103J | MG RESISTOR | 10kΩ 1/16W J | 1 | |
| | R756 | RK73HB1J101J | MG RESISTOR | 100Ω 1/16W J | 1 | |
| | R768 | RK73GB2A333J | MG RESISTOR | 33kΩ 1/10W J | 1 | A1,M1 |
| | R769 | RK73GB2A153J | MG RESISTOR | 15kΩ 1/10W J | 1 | A1,M1 |
| | R769 | RK73GB2A473J | MG RESISTOR | 47kΩ 1/10W J | 1 | K2,K1,K0 |
| | R770 | RK73GB2A273J | MG RESISTOR | 27kΩ 1/10W J | 1 | K2 |
| | R770 | RK73GB2A333J | MG RESISTOR | 33kΩ 1/10W J | 1 | K0 |
| | R771 | RK73GB2A473J | MG RESISTOR | 47kΩ 1/10W J | 1 | A1,M1,K1 |
| | R771 | RK73GB2A223J | MG RESISTOR | 22kΩ 1/10W J | 1 | K2 |
| | R771 | RK73GB2A153J | MG RESISTOR | 15kΩ 1/10W J | 1 | K0 |
| | R772 | RK73HB1J101J | MG RESISTOR | 100Ω 1/16W J | 1 | |
| | R777 | RK73HB1J000J | MG RESISTOR | 0Ω 1/16W J | 1 | |
| | R778 | RK73HB1J101J | MG RESISTOR | 100Ω 1/16W J | 1 | |
| | R781 | RK73HB1J000J | MG RESISTOR | 0Ω 1/16W J | 1 | |
| | R782 | RK73HB1J000J | MG RESISTOR | 0Ω 1/16W J | 1 | |
| | R783 | RK73HB1J000J | MG RESISTOR | 0Ω 1/16W J | 1 | |
| | R785 | RK73HB1J000J | MG RESISTOR | 0Ω 1/16W J | 1 | |
| | R788 | RK73HH1J823D | MG RESISTOR | 82kΩ 1/16W D | 1 | |
| | R789 | RK73HH1J393D | MG RESISTOR | 39kΩ 1/16W D | 1 | |
| | R790 | RK73HB1J100J | MG RESISTOR | 10Ω 1/16W J | 1 | |
| | R792 | RK73HB1J100J | MG RESISTOR | 10Ω 1/16W J | 1 | |
| | R796 | RK73HH1J302D | MG RESISTOR | 3kΩ 1/16W D | 1 | |
| | R797 | RK73HB1J222J | MG RESISTOR | 2.2kΩ 1/16W J | 1 | |
| | R798 | RK73HB1J222J | MG RESISTOR | 2.2kΩ 1/16W J | 1 | |
| | R799 | RK73HB1J105J | MG RESISTOR | 1MΩ 1/16W J | 1 | |
| | R800 | RK73HB1J152J | MG RESISTOR | 1.5kΩ 1/16W J | 1 | |
| | R801 | RK73HB1J222J | MG RESISTOR | 2.2kΩ 1/16W J | 1 | |
| | R802 | RK73GB2A473J | MG RESISTOR | 47kΩ 1/10W J | 1 | K0 |
| | R803 | RK73HB1J225J | MG RESISTOR | 2.2MΩ 1/16W J | 1 | A1,M1,K2,K1 |
| | R805 | RK73HB1J102J | MG RESISTOR | 1kΩ 1/16W J | 1 | |
| | R806 | RK73HB1J102J | MG RESISTOR | 1kΩ 1/16W J | 1 | |
| | R808 | RK73HB1J680J | MG RESISTOR | 68Ω 1/16W J | 1 | |
| | R809 | RK73GB2A102J | MG RESISTOR | 1kΩ 1/10W J | 1 | |
| | R820 | RK73HB1J473J | MG RESISTOR | 47kΩ 1/16W J | 1 | |
| | R823 | RK73HB1J470J | MG RESISTOR | 47Ω 1/16W J | 1 | |
| | R824 | RK73HB1J473J | MG RESISTOR | 47kΩ 1/16W J | 1 | |
| | R827 | RK73HB1J103J | MG RESISTOR | 10kΩ 1/16W J | 1 | |
| | R828 | RK73HB1J103J | MG RESISTOR | 10kΩ 1/16W J | 1 | |
| | R829 | RK73HB1J220J | MG RESISTOR | 22Ω 1/16W J | 1 | |
| | R830 | RK73GB2A101J | MG RESISTOR | 100Ω 1/10W J | 1 | |
| | R831 | RK73GB2A222J | MG RESISTOR | 2.2kΩ 1/10W J | 1 | |
| | R878 | RK73HB1J103J | MG RESISTOR | 10kΩ 1/16W J | 1 | |
| | R880 | RK73HB1J222J | MG RESISTOR | 2.2kΩ 1/16W J | 1 | |
| | R881 | RK73HH1J243D | MG RESISTOR | 24kΩ 1/16W D | 1 | |
| | R882 | RK73HH1J123D | MG RESISTOR | 12kΩ 1/16W D | 1 | |
| | R889 | RK73HB1J332J | MG RESISTOR | 3.3kΩ 1/16W J | 1 | |
| | R890 | RK73HB1J000J | MG RESISTOR | 0Ω 1/16W J | 1 | |
| | R891 | RK73HH1J123D | MG RESISTOR | 12kΩ 1/16W D | 1 | |
| | R893 | RK73GB2A222J | MG RESISTOR | 2.2kΩ 1/10W J | 1 | |
| | R905 | RK73HB1J101J | MG RESISTOR | 100Ω 1/16W J | 1 | |
| | R980 | RK73EB2E682J | MG RESISTOR | 6.8kΩ 1/4W J | 1 | |
| | R981 | RK73EB2E682J | MG RESISTOR | 6.8kΩ 1/4W J | 1 | |
| | R982 | RK73EB2E473J | MG RESISTOR | 47kΩ 1/4W J | 1 | |
| | R984 | RK73EB2E473J | MG RESISTOR | 47kΩ 1/4W J | 1 | |
| | R1050 | RK73GB2A100J | MG RESISTOR | 10Ω 1/10W J | 1 | |
| | R1070 | RK73HB1J102J | MG RESISTOR | 1kΩ 1/16W J | 1 | |
| | R1073 | RK73HB1J000J | MG RESISTOR | 0Ω 1/16W J | 1 | |
| | R1300 | RK73HB1J562J | MG RESISTOR | 5.6kΩ 1/16W J | 1 | |
| | R1302 | RK73HB1J101J | MG RESISTOR | 100Ω 1/16W J | 1 | A1,M1,K2 |
| | R1303 | RK73HB1J101J | MG RESISTOR | 100Ω 1/16W J | 1 | A1,M1,K2 |
| | R1909 | RK73HB1J330J | MG RESISTOR | 33Ω 1/16W J | 1 | |
| | R1910 | RK73HB1J330J | MG RESISTOR | 33Ω 1/16W J | 1 | |
| | R1911 | RK73HB1J330J | MG RESISTOR | 33Ω 1/16W J | 1 | |
| | R1912 | RK73HB1J330J | MG RESISTOR | 33Ω 1/16W J | 1 | |
| | R1913 | RK73HB1J330J | MG RESISTOR | 33Ω 1/16W J | 1 | |
| | R1914 | RK73HB1J330J | MG RESISTOR | 33Ω 1/16W J | 1 | |
| | R1915 | RK73HB1J330J | MG RESISTOR | 33Ω 1/16W J | 1 | |
| | R1916 | RK73HB1J330J | MG RESISTOR | 33Ω 1/16W J | 1 | |
| | R1917 | RK73HB1J330J | MG RESISTOR | 33Ω 1/16W J | 1 | |
| | R1918 | RK73HB1J330J | MG RESISTOR | 33Ω 1/16W J | 1 | |
| | R1919 | RK73HB1J330J | MG RESISTOR | 33Ω 1/16W J | 1 | |
| | R1920 | RK73HB1J330J | MG RESISTOR | 33Ω 1/16W J | 1 | |
| | R1921 | RK73HB1J330J | MG RESISTOR | 33Ω 1/16W J | 1 | |

| | | | | | | | |
|------------|------|-----------|------|-----------|------|------------|------|
| MODEL | MARK | MODEL | MARK | MODEL | MARK | MODEL | MARK |
| KMM-BT303 | A1 | KMM-BT303 | M1 | KMM-BT318 | K2 | KMM-BT318U | K1 |
| KMR-M318BT | K0 | | | | | | |

| Safe | Symbol No. | Parts No. | Parts Name | Description | QTY | Local |
|------|------------|--------------|-----------------|---------------|-----|-------------|
| | R1922 | RK73HB1J330J | MG RESISTOR | 33Ω 1/16W J | 1 | |
| | R1923 | RK73HB1J330J | MG RESISTOR | 33Ω 1/16W J | 1 | |
| | R1924 | RK73HB1J330J | MG RESISTOR | 33Ω 1/16W J | 1 | |
| | R1925 | RK73GB2A000J | MG RESISTOR | 0Ω 1/10W J | 1 | |
| | R2000 | RK73HB1J101J | MG RESISTOR | 100Ω 1/16W J | 1 | |
| | R2001 | RK73HB1J101J | MG RESISTOR | 100Ω 1/16W J | 1 | |
| | R2002 | RK73HB1J151J | MG RESISTOR | 150Ω 1/16W J | 1 | K1,K0 |
| | R2003 | RK73HB1J220J | MG RESISTOR | 22Ω 1/16W J | 1 | |
| | R2004 | RK73HB1J220J | MG RESISTOR | 22Ω 1/16W J | 1 | |
| | R2005 | RK73EB2E2R2J | MG RESISTOR | 2.2Ω 1/4W J | 1 | |
| | R2006 | RK73HB1J473J | MG RESISTOR | 47kΩ 1/16W J | 1 | |
| | R2008 | RK73HB1J101J | MG RESISTOR | 100Ω 1/16W J | 1 | |
| | R2009 | RK73GB2A000J | MG RESISTOR | 0Ω 1/10W J | 1 | A1,M1,K2,K0 |
| | R2010 | RK73GB2A000J | MG RESISTOR | 0Ω 1/10W J | 1 | |
| | R2011 | RK73HB1J101J | MG RESISTOR | 100Ω 1/16W J | 1 | |
| | R2012 | RK73HB1J220J | MG RESISTOR | 22Ω 1/16W J | 1 | |
| | R2013 | RK73GB2A101J | MG RESISTOR | 100Ω 1/10W J | 1 | |
| | R2016 | RK73HB1J101J | MG RESISTOR | 100Ω 1/16W J | 1 | |
| | R2017 | RK73HB1J101J | MG RESISTOR | 100Ω 1/16W J | 1 | |
| | R2018 | RK73HB1J101J | MG RESISTOR | 100Ω 1/16W J | 1 | |
| | R2019 | RK73HB1J220J | MG RESISTOR | 22Ω 1/16W J | 1 | |
| | R2020 | RK73GB2A000J | MG RESISTOR | 0Ω 1/10W J | 1 | |
| | R2021 | RK73HB1J220J | MG RESISTOR | 22Ω 1/16W J | 1 | |
| | R2023 | RK73HB1J220J | MG RESISTOR | 22Ω 1/16W J | 1 | |
| | R2024 | RK73GH2A100D | MG RESISTOR | 10Ω 1/10W D | 1 | |
| | R2025 | RK73HB1J100J | MG RESISTOR | 10Ω 1/16W J | 1 | K1,K0 |
| | R2026 | RK73HB1J4R7J | MG RESISTOR | 4.7Ω 1/16W J | 1 | K1,K0 |
| | R2027 | RK73HB1J100J | MG RESISTOR | 10Ω 1/16W J | 1 | K1,K0 |
| | R2028 | RK73HB1J000J | MG RESISTOR | 0Ω 1/16W J | 1 | |
| | R2033 | RK73HB1J472J | MG RESISTOR | 4.7kΩ 1/16W J | 1 | |
| | R2034 | RK73HB1J222J | MG RESISTOR | 2.2kΩ 1/16W J | 1 | |
| | R2052 | RK73HB1J182J | MG RESISTOR | 1.8kΩ 1/16W J | 1 | A1,M1,K0 |
| | R2052 | RK73HB1J112J | MG RESISTOR | 1.1kΩ 1/16W J | 1 | K2,K1 |
| | R2070 | RK73HB1J332J | MG RESISTOR | 3.3kΩ 1/16W J | 1 | |
| | R2157 | RK73HB1J820J | MG RESISTOR | 82Ω 1/16W J | 1 | |
| | L411 | LR73Z0AD4R7M | CHIP INDUCTOR | 4.7uH | 1 | |
| | L540 | NQLH65M-4R7X | INDUCTOR | 4.7uH M | 1 | |
| | L541 | NQLL6EM-100X | INDUCTOR | 10uH M | 1 | |
| | L600 | LR73Z0AD4R7M | CHIP INDUCTOR | 4.7uH | 1 | |
| | L601 | LK73G0BE4R7K | M.CHIP INDUCTOR | | 1 | |
| | L602 | LK73G0BER47K | M.CHIP INDUCTOR | | 1 | |
| | L603 | NQLM93K-R10X | INDUCTOR | 0.1uH K | 1 | |
| | L604 | LK73G0BE1R0K | M.CHIP INDUCTOR | | 1 | |
| | L605 | LK73G0BER22K | M.CHIP INDUCTOR | | 1 | |
| | L606 | LK73G0BER12K | M.CHIP INDUCTOR | | 1 | |
| | L607 | LK73G0BER15K | M.CHIP INDUCTOR | | 1 | |
| | L701 | LR73Z0AD4R7M | CHIP INDUCTOR | 4.7uH | 1 | |
| | L706 | RK73HB1J000J | MG RESISTOR | 0Ω 1/16W J | 1 | |
| | L707 | RK73HB1J000J | MG RESISTOR | 0Ω 1/16W J | 1 | |
| | L811 | RK73HB1J000J | MG RESISTOR | 0Ω 1/16W J | 1 | |
| | L821 | LB73G0BK-006 | CHIP FERRITE | | 1 | |
| | L822 | RK73HB1J000J | MG RESISTOR | 0Ω 1/16W J | 1 | |
| | L824 | RK73HB1J220J | MG RESISTOR | 22Ω 1/16W J | 1 | |
| | L825 | RK73HB1J220J | MG RESISTOR | 22Ω 1/16W J | 1 | |
| | L826 | RK73HB1J220J | MG RESISTOR | 22Ω 1/16W J | 1 | |
| | L827 | RK73HB1J220J | MG RESISTOR | 22Ω 1/16W J | 1 | |
| | L828 | RK73HB1J220J | MG RESISTOR | 22Ω 1/16W J | 1 | |
| | L829 | RK73HB1J000J | MG RESISTOR | 0Ω 1/16W J | 1 | |
| | L830 | LB73G0BK-006 | CHIP FERRITE | | 1 | |
| | L831 | LB73H0AY-004 | CHIP FERRITE | | 1 | |
| | L990 | L3D-0043-00 | CHOKE COIL | | 1 | |
| | L2002 | LK73G0AF27NJ | M.CHIP INDUCTOR | 27nH | 1 | |
| | L2003 | RK73HB1J000J | MG RESISTOR | 0Ω 1/16W J | 1 | K0 |
| | L2004 | RK73HB1J000J | MG RESISTOR | 0Ω 1/16W J | 1 | K0 |
| | L2005 | LR73Z0AD100M | CHIP INDUCTOR | 10uH | 1 | |
| | L2006 | RK73HH1J470D | MG RESISTOR | 47Ω 1/16W D | 1 | |
| | L2007 | L7K-0056-00 | LC FILTER | | 1 | |
| | A1302 | W0C-0167-00 | CIRCUIT MODULE | | 1 | A1,M1,K2 |
| | A1302 | W0C-0168-10 | CIRCUIT MODULE | | 1 | K1,K0 |
| | CN220 | QGA2001C1-02 | W TO B CONNE | W-B (1-2) | 1 | K1,K0 |
| | CN481 | QGA2001C1-06 | W TO B CONNE | W-B (1-6) | 1 | K0 |
| | CN701 | QGZ2006J1-20 | DETACHABLE CONN | (1-20) | 1 | |
| | CN990 | E5J-0139-00 | R.RECEPTACLE | | 1 | |
| | F1 | F53-0513-08 | PATTERN FUSE | 4A | 1 | |
| △ | F540 | FZA10BH-2R5 | FUSE (CC) | | 1 | |
| △ | J220 | E1B-0013-00 | 3.5D PHONE JACK | | 1 | A1,M1,K2 |
| | J321 | QNN0868-001 | PIN JACK | | 1 | A1,M1 |
| | J321 | QNN0866-001 | PIN JACK | | 1 | K2,K1,K0 |
| | J470 | QNZ0907-001 | CIR CONNECTOR | | 1 | K1,K0 |
| | J600 | QNB0356-001 | ANT TERMINAL | | 1 | |
| | S830 | S7A-0025-00 | TACTILE PUSH SW | | 1 | |
| | VA480 | NAF0029-002X | ESD SUPPRESSOR | | 1 | K0 |
| | VA600 | NAF0024-001X | ESD SUPPRESSOR | | 1 | |
| | VA703 | F0K-0010-00 | SURGE ABSORBER | | 1 | |
| | VA705 | F0K-0010-00 | SURGE ABSORBER | | 1 | |
| | VA2001 | F0K-0010-00 | SURGE ABSORBER | | 1 | |
| | VA2005 | F0K-0010-00 | SURGE ABSORBER | | 1 | |
| | VA2006 | F0K-0010-00 | SURGE ABSORBER | | 1 | |
| | VA2007 | F0K-0010-00 | SURGE ABSORBER | | 1 | |
| | X600 | L7J-0014-00 | QUARTZ CRYSTAL | | 1 | |
| | X701 | L7J-0092-00 | QUARTZ CRYSTAL | | 1 | |
| | X702 | L7J-0123-00 | QUARTZ CRYSTAL | | 1 | |

| | | | | | | | |
|------------|------|-----------|------|-----------|------|------------|------|
| MODEL | MARK | MODEL | MARK | MODEL | MARK | MODEL | MARK |
| KMM-BT303 | A1 | KMM-BT303 | M1 | KMM-BT318 | K2 | KMM-BT318U | K1 |
| KMR-M318BT | K0 | | | | | | |

| Safe | Symbol No. | Parts No. | Parts Name | Description | QTY | Local |
|--|------------|----------------|-----------------|---------------|-----|-------------|
| SWITCH PWB ASSY (XJ6-051K-0x) <XJ6> | | | | | | |
| | IC1 | BU97550KV-M | MOS IC | | 1 | |
| | IC3 | NJM431SF | ANALOG IC | | 1 | |
| | IC90 | SIRD630B6T | IR DETECT UNIT | | 1 | A1,M1,K2,K1 |
| | Q50 | LSCR523EBFS8 | TRANSISTOR | | 1 | |
| | Q51 | LSCR523EBFS8 | TRANSISTOR | | 1 | |
| | Q52 | LSCR523EBFS8 | TRANSISTOR | | 1 | |
| | Q53 | LSCR523EBFS8 | TRANSISTOR | | 1 | |
| | Q54 | LSCR523EBFS8 | TRANSISTOR | | 1 | |
| | Q55 | LSCR523EBFS8 | TRANSISTOR | | 1 | |
| | Q57 | LSCR523EBFS8 | TRANSISTOR | | 1 | |
| | Q58 | LSCR523EBFS8 | TRANSISTOR | | 1 | |
| | Q90 | KRA302E-P | DIGI TRANSISTOR | | 1 | A1,M1,K2,K1 |
| | Q91 | KRC402E-P | DIGI TRANSISTOR | | 1 | A1,M1,K2,K1 |
| | D2 | SM5818PL | SCHOTTKY DIODE | | 1 | |
| | D3 | SM5818PL | SCHOTTKY DIODE | | 1 | |
| | D12 | SML-D12V8WT | LED | | 1 | |
| | D13 | SML-D12V8WT | LED | | 1 | |
| | D20 | SML-D12V8WT | LED | | 1 | |
| | D21 | NESM026DT-W | LED | | 1 | |
| | D22 | NESM026DT-W | LED | | 1 | |
| | D23 | NESM026DT-W | LED | | 1 | |
| | D25 | NESM026DT-W | LED | | 1 | |
| | D49 | LRTBGFTG/Z1Z1X | LED | | 1 | |
| | D80 | DZ2J051M | ZENER DIODE | | 1 | |
| | D81 | DZ2J051M | ZENER DIODE | | 1 | |
| | C1 | CK73GXR1C105K | C CAPACITOR | 1uF 16V K | 1 | |
| | C5 | CK73GXR1A105K | C CAPACITOR | 1uF 10V K | 1 | |
| | C6 | CK73EXR1C106K | C CAPACITOR | 10uF 16V K | 1 | |
| | C7 | CK73GBB1H472K | C CAPACITOR | 4700pF 50V K | 1 | |
| | C60 | CK73GBB1H102K | C CAPACITOR | 1000pF 50V K | 1 | |
| | C61 | CK73GBB1H102K | C CAPACITOR | 1000pF 50V K | 1 | |
| | C80 | CC73GCH1H270J | C CAPACITOR | 27pF 50V J | 1 | |
| | C81 | CC73GCH1H270J | C CAPACITOR | 27pF 50V J | 1 | |
| | C82 | CK73EXR1C106K | C CAPACITOR | 10uF 16V K | 1 | |
| | C83 | CK73GBB1H471K | C CAPACITOR | 470pF 50V K | 1 | |
| | C84 | CK73GBB1H472K | C CAPACITOR | 4700pF 50V K | 1 | |
| | C85 | CK73GBB1H471K | C CAPACITOR | 470pF 50V K | 1 | |
| | C86 | CK73GBB1H472K | C CAPACITOR | 4700pF 50V K | 1 | |
| | C91 | CK73GXR1A105K | C CAPACITOR | 1uF 10V K | 1 | A1,M1,K2,K1 |
| | R1 | RK73GH2A473D | MG RESISTOR | 47kΩ 1/10W D | 1 | |
| | R2 | RK73GH2A433D | MG RESISTOR | 43kΩ 1/10W D | 1 | |
| | R3 | RK73GB2A471J | MG RESISTOR | 470Ω 1/10W J | 1 | |
| | R4 | RK73GB2A101J | MG RESISTOR | 100Ω 1/10W J | 1 | |
| | R6 | RK73EB2E910J | MG RESISTOR | 91Ω 1/4W J | 1 | |
| | R7 | RK73FB2B000J | MG RESISTOR | 0Ω 1/8W J | 1 | |
| | R10 | RK73GB2A152J | MG RESISTOR | 1.5kΩ 1/10W J | 1 | |
| | R12 | RK73GB2A152J | MG RESISTOR | 1.5kΩ 1/10W J | 1 | |
| | R13 | RK73GB2A152J | MG RESISTOR | 1.5kΩ 1/10W J | 1 | |
| | R14 | RK73GB2A124J | MG RESISTOR | 120kΩ 1/10W J | 1 | |
| | R21 | RK73FB2B102J | MG RESISTOR | 1kΩ 1/8W J | 1 | |
| | R22 | RK73FB2B681J | MG RESISTOR | 680Ω 1/8W J | 1 | |
| | R23 | RK73FB2B681J | MG RESISTOR | 680Ω 1/8W J | 1 | |
| | R25 | RK73FB2B102J | MG RESISTOR | 1kΩ 1/8W J | 1 | |
| | R26 | RK73FB2B681J | MG RESISTOR | 680Ω 1/8W J | 1 | |
| | R27 | RK73FB2B681J | MG RESISTOR | 680Ω 1/8W J | 1 | |
| | R29 | RK73FB2B132J | MG RESISTOR | 1.3kΩ 1/8W J | 1 | |
| | R30 | RK73FB2B911J | MG RESISTOR | 910Ω 1/8W J | 1 | |
| | R31 | RK73FB2B911J | MG RESISTOR | 910Ω 1/8W J | 1 | |
| | R33 | RK73EB2E471J | MG RESISTOR | 470Ω 1/4W J | 1 | |
| | R34 | RK73EB2E391J | MG RESISTOR | 390Ω 1/4W J | 1 | |
| | R35 | RK73EB2E471J | MG RESISTOR | 470Ω 1/4W J | 1 | |
| | R37 | RK73FB2B821J | MG RESISTOR | 820Ω 1/8W J | 1 | |
| | R38 | RK73FB2B561J | MG RESISTOR | 560Ω 1/8W J | 1 | |
| | R39 | RK73FB2B561J | MG RESISTOR | 560Ω 1/8W J | 1 | |
| | R57 | RK73GB2A682J | MG RESISTOR | 6.8kΩ 1/10W J | 1 | |
| | R60 | RK73FB2B101J | MG RESISTOR | 100Ω 1/8W J | 1 | |
| | R61 | RK73FB2B101J | MG RESISTOR | 100Ω 1/8W J | 1 | |
| | R62 | RK73FB2B4R7J | MG RESISTOR | 4.7Ω 1/8W J | 1 | |
| | R80 | RK73EB2E221J | MG RESISTOR | 220Ω 1/4W J | 1 | |
| | RA1 | RK74GB1J101J | NET RESISTOR | 100Ω 1/16W J | 1 | |
| | RA2 | RK74GB1J101J | NET RESISTOR | 100Ω 1/16W J | 1 | |
| | RA3 | RK74GB1J101J | NET RESISTOR | 100Ω 1/16W J | 1 | |
| | RA50 | RK74GB1J682J | NET RESISTOR | 6.8kΩ 1/16W J | 1 | |
| | RA53 | RK74GB1J682J | NET RESISTOR | 6.8kΩ 1/16W J | 1 | |
| | CN1 | QGZ2006K1-20X | DETACHABLE CONN | (1-20) | 1 | |
| | FL80 | L7K-0030-00 | FILTER | | 1 | |
| | J60 | QNS0320-001 | 3.5 JACK | | 1 | |
| | J80 | E5J-0069-00 | USB TERMINAL | | 1 | |
| | S20 | T9K-0007-00 | ROTARY ENCODER | | 1 | |