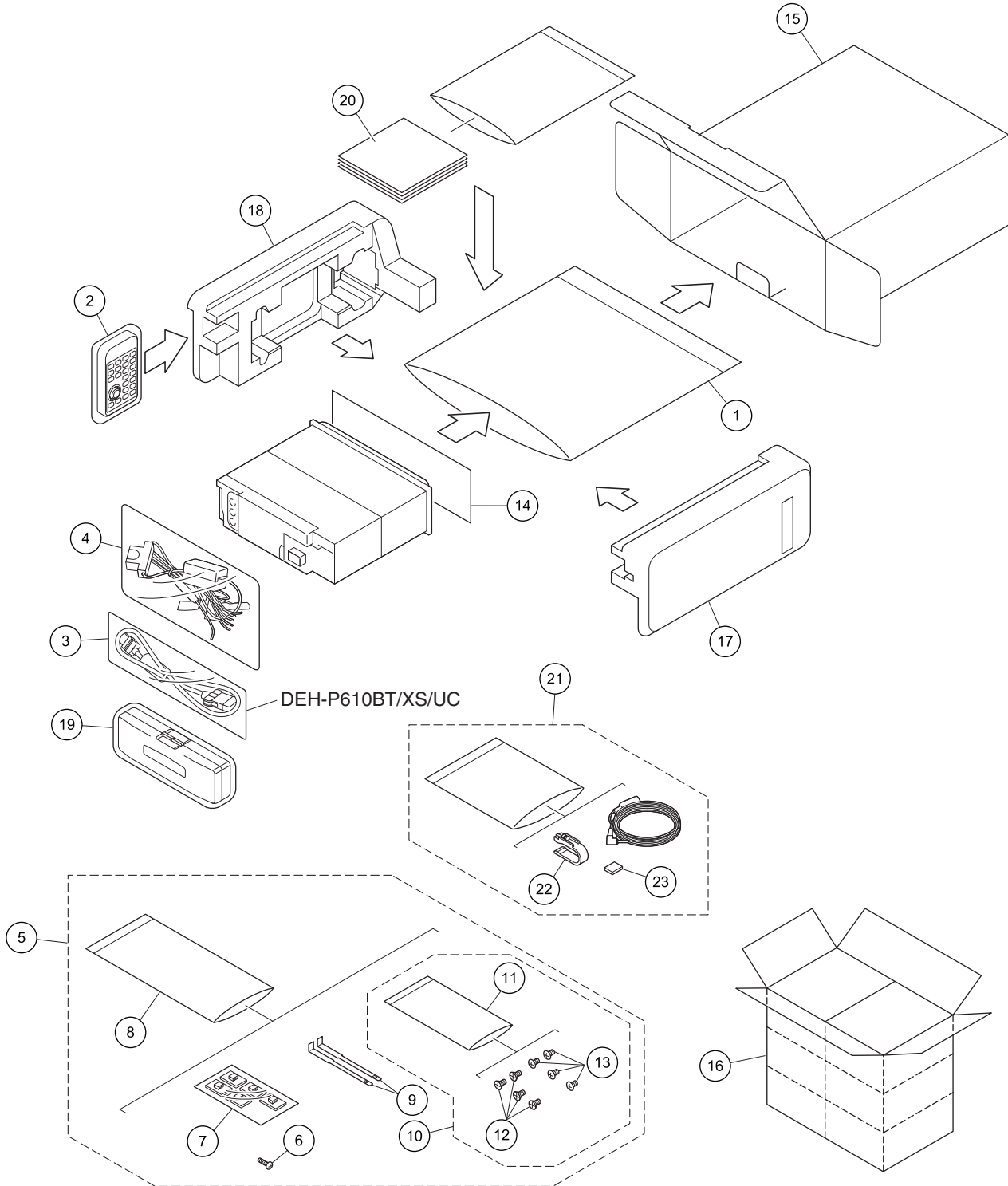


9. EXPLODED VIEWS AND PARTS LIST

NOTES : • Parts marked by " * " are generally unavailable because they are not in our Master Spare Parts List.

- The \triangle mark found on some component parts indicates the importance of the safety factor of the part. Therefore, when replacing, be sure to use parts of identical designation.
- Screw adjacent to ∇ mark on the product are used for disassembly.
- For the applying amount of lubricants or glue, follow the instructions in this manual.
(In the case of no amount instructions, apply as you think it appropriate.)

9.1 PACKING



(1) PACKING SECTION PARTS LIST

<u>Mark No.</u>	<u>Description</u>	<u>Part No.</u>	<u>Mark No.</u>	<u>Description</u>	<u>Part No.</u>
1	Polyethylene Bag	CEG1173	15	Unit Box	See Contrast table (2)
2	Remote Control Unit	CXC9115			
3	Cord Assy	See Contrast table (2)	16	Contain Box	See Contrast table (2)
4	Cord Assy	YDP5035	17	Protector	YHP5058
* 5	Accessory Assy	YEA5073	18	Protector	YHP5059
			19	Case Assy	QXA3129
6	Screw	BPZ20P060FTC	20-1	Caution Card	CRP1387
7	Cord Clamper Assy	CEA4636			
8	Polyethylene Bag	CEG1160	20-2	Caution Card	See Contrast table (2)
9	Handle	CND3707	* 20-3	Warranty Card	See Contrast table (2)
10	Screw Assy	YEA5072	20-4	Owner's Manual	See Contrast table (2)
			20-5	Installation Manual	See Contrast table (2)
* 11	Polyethylene Bag	CEG-127	21	Microphone Assy	CPM1083
12	Screw	CRZ50P090FTC			
13	Screw	TRZ50P080FTC	* 22	Clip Holder	CZN7912
14	Cover	YEG5008	* 23	Cushion	CZN7913

(2) CONTRAST TABLE

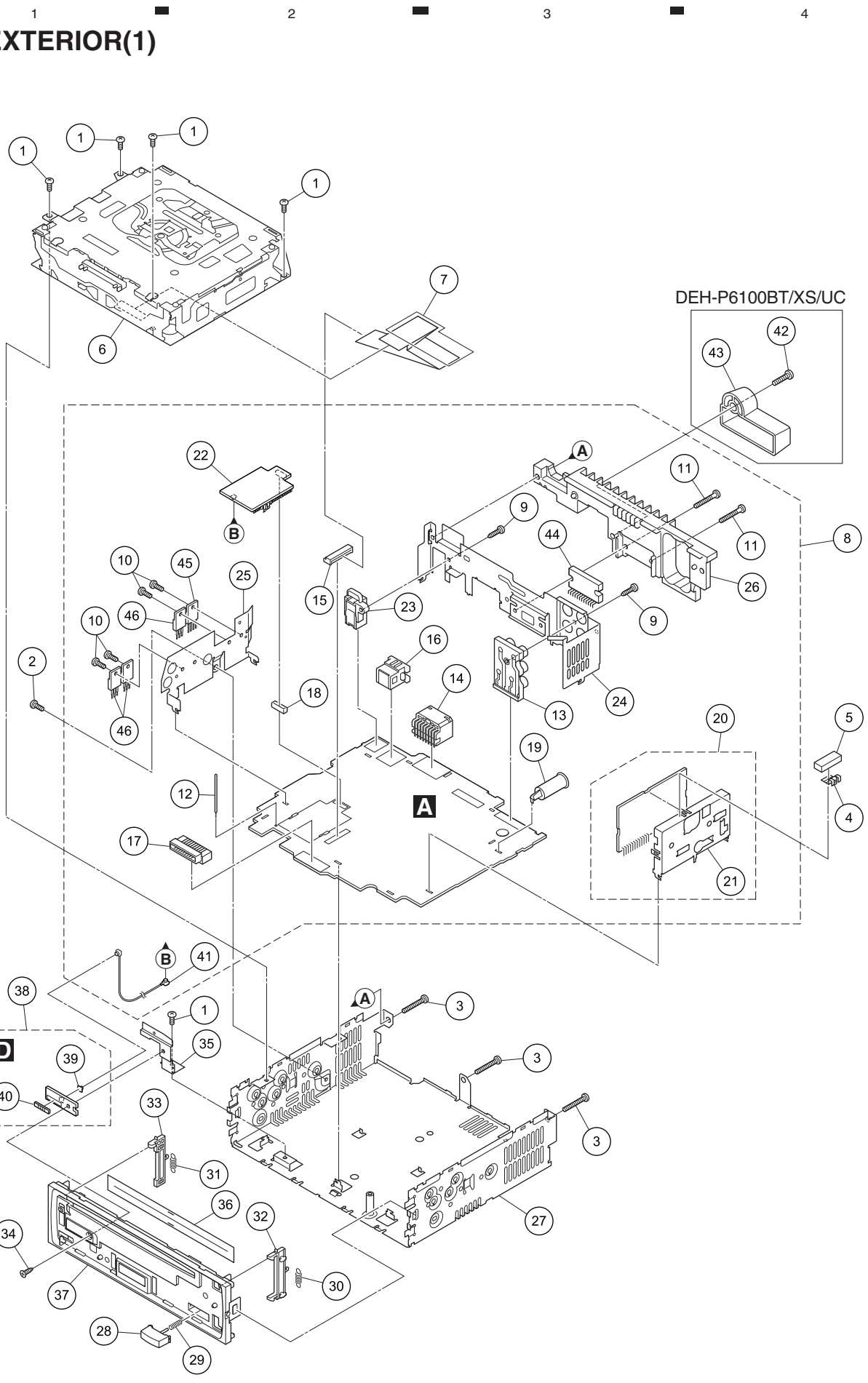
DEH-P610BT/XS/UC and DEH-P6100BT/XS/UC are constructed the same except for the following:

Mark	No.	Description	DEH-P610BT/XS/UC	DEH-P6100BT/XS/UC
	3	Cord Assy	YDP5026	Not used
	15	Unit Box	YHG5495	YHG5494
	16	Contain Box	YHL5495	YHL5494
*	20-2	Caution Card	Not used	CRP1386
	20-3	Warranty Card	CRY1280	CRY1276
	20-4	Owner's Manual	YRD5282	YRD5281
	20-5	Installation Manual	YRD5286	YRD5285

Owner's Manual, Installation Manual

Part No.	Language
YRD5281	English, French, Spanish(Espanol)
YRD5285	English, French, Spanish(Espanol)
YRD5282	English, French, Spanish(Espanol)
YRD5286	English, French, Spanish(Espanol)

9.2 EXTERIOR(1)



EXTERIOR(1) SECTION PARTS LIST

<u>Mark No.</u>	<u>Description</u>	<u>Part No.</u>	
1	Screw	BSZ26P060FTC	
2	Screw	BSZ30P060FTC	A
3	Screw	BSZ30P200FTC	
4	Earth Plate	CNC8915	
5	Cushion	CNM8890	
6	CD Mechanism Module(S10.5)	CXK5777	
7	Cable	YDE5046	
8	Tuner Amp Assy(P610BT)	YWM5339	
	Tuner Amp Assy(P6100BT)	YWM5338	
9	Screw	BPZ26P080FTC	
10	Screw	BSZ26P060FTC	B
11	Screw	BSZ26P200FTC	
12	Clamper	CEF1048	
13	Pin Jack(JA301)	XKB7001	
14	Plug(CN981)	CKM1278	
15	Connector(CN701)	CKS3833	
16	Connector(JA101)	CKS5271	
17	Connector(CN801)	CKS6050	
18	Connector(CN551)	CKS6117	
19	Antenna Jack(JA401)	CKX1070	C
20	FM/AM Tuner Unit	CWE2098	
21	Holder	CND4324	
22	Bluetooth Module	CWX3716	
23	Jack(JA151)	YKS5035	
24	Holder	YNC5076	
25	Holder	YNC5077	
26	Heat Sink	YNR5129	
27	Chassis Unit	YXA5601	
28	Button	CAC4836	D
29	Spring	CBH2367	
30	Spring(Silver)	CBH2961	
31	Spring(Black)	CBH2962	
32	Arm	CNV9311	
33	Arm	CNV9312	
34	Screw	CSZ26P060FTB	
35	Holder	YNC5078	
36	Cover	YNN5016	
37	Panel	YNS5501	E
38	Antenna Unit	YWM5398	
39	Connector(CN1501)	CKS5749	
40	Antenna(JA1501)	CTX1108	
41	Cord Assy	YDE5053	
42	Screw(P6100BT)	BMZ40P140FTC	
43	Holder(P6100BT)	CNV7619	
44	IC(IC351)	PA2030A	
45	IC(IC911)	NJM2388F84	F
46	Transistor(Q452, Q751, Q901)	2SD2396	

9.3 EXTERIOR(2)

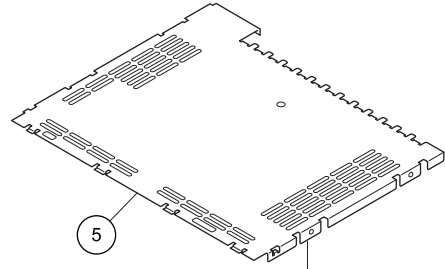
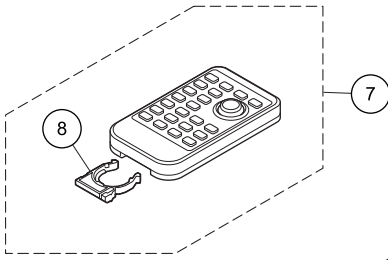
1

2

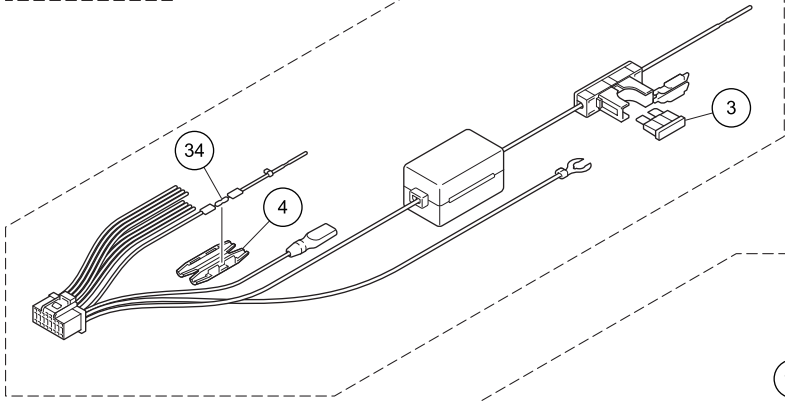
3

4

A

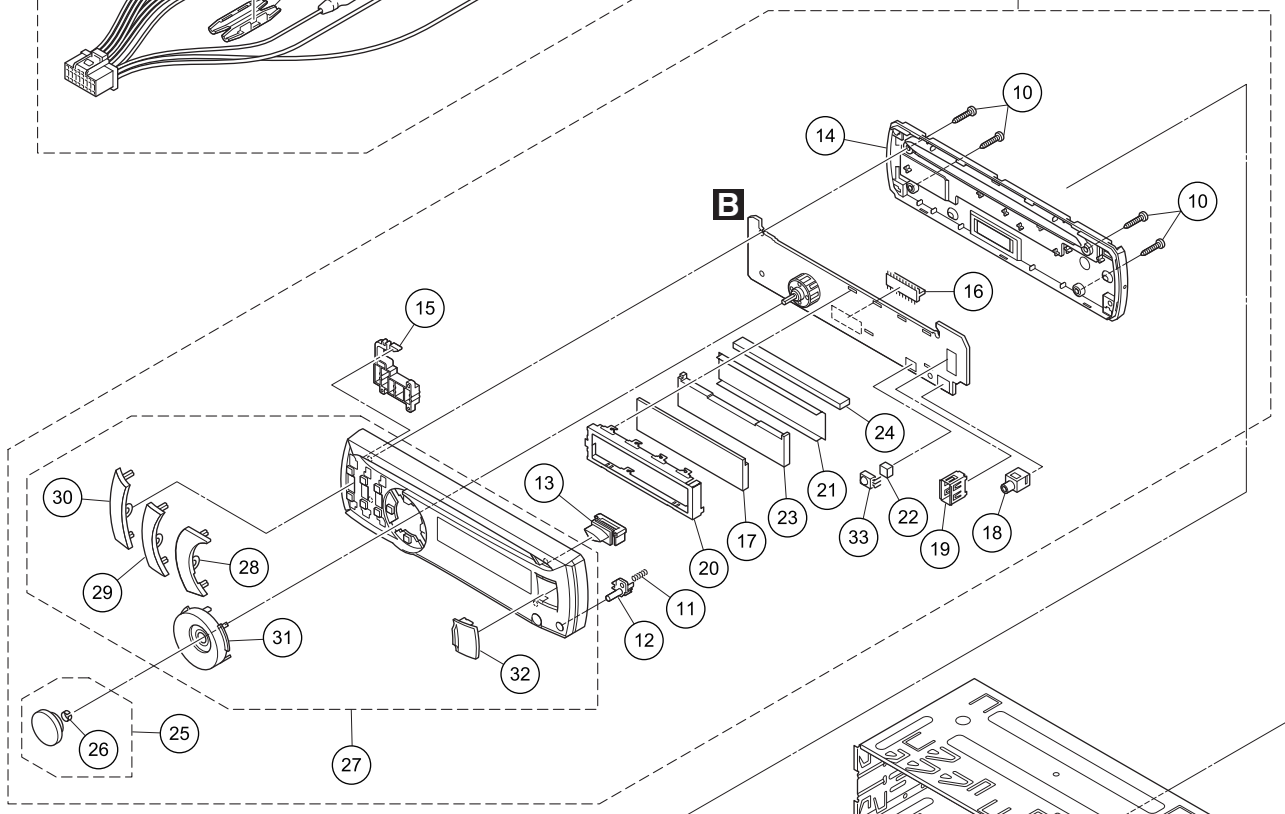


B

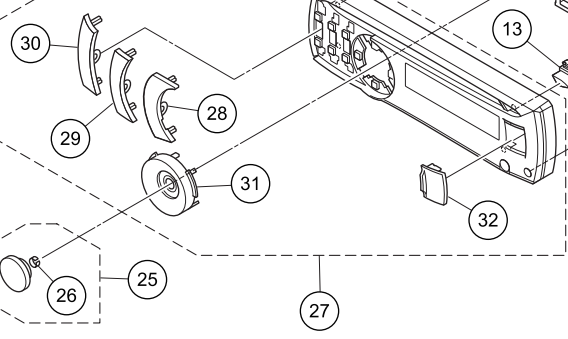


9

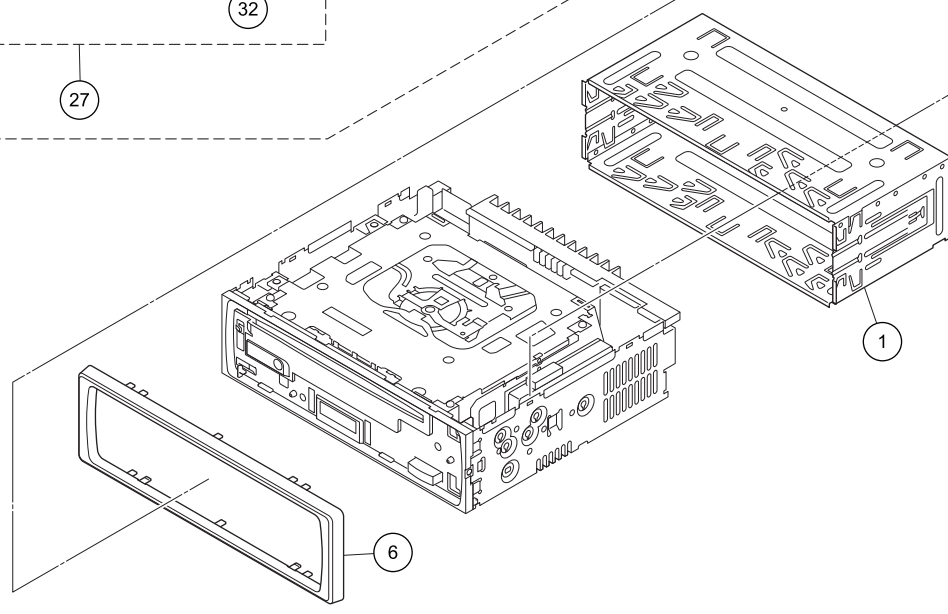
C



D



E



F

1

2

3

4

EXTERIOR(2) SECTION PARTS LIST

<u>Mark No.</u>	<u>Description</u>	<u>Part No.</u>	
1	Holder	CND3598	
2	Cord Assy	YDP5035	
⚠ 3	Fuse(10 A)	CEK1136	A
4	Cap	CNS1472	
5	Case	YNB5014	
6	Panel	YNS5488	
7	Remote Control Unit	CXC9115	
8	Cover	CZN5357	
9	Detach Grille Assy(P610BT)	YXA5613	
	Detach Grille Assy(P6100BT)	YXA5612	
10	Screw	BPZ20P100FTB	B
11	Spring	CBH2210	
12	Button(DETACH)	YAC5366	
13	Button(EJECT)	YAC5367	
14	Cover	YNS5489	
15	Holder	YNS5502	
16	Connector(CN1101)	CKS6049	
17	LCD	YAW5104	
18	Jack(JA1102)	YKN5006	
19	Connector(CN1103)	YKS5032	C
20	Holder	YNC5068	
21	Sheet	YNM5140	
22	Cushion	YNM5148	
23	Lighting Conductor	YNV5185	
24	Connector	YNV5186	
25	Knob Unit(P610BT)	YXA5522	
	Knob Unit(P6100BT)	YXA5523	
26	Spring	YBL5013	
27	Grille Unit(P610BT)	YXA5620	D
	Grille Unit(P6100BT)	YXA5619	
28	Button(BASS/SW, S.Rtrv/SAT MODE)	YAC5373	
29	Button(iPod/RDM, CLOCK/DISP OFF)	YAC5372	
30	Button(OFF/SRC, ESC/BAND)	YAC5371	
31	Button Unit(LIST, PHONE, DISP, MUTE)	YXA5624	
32	Door(USB)	YAT5014	
33	Remoto IC(IC1102)	GP1UXC14RK	
34	Resistor	RS1/2PMF102J	E

9.4 CD MECHANISM MODULE

A

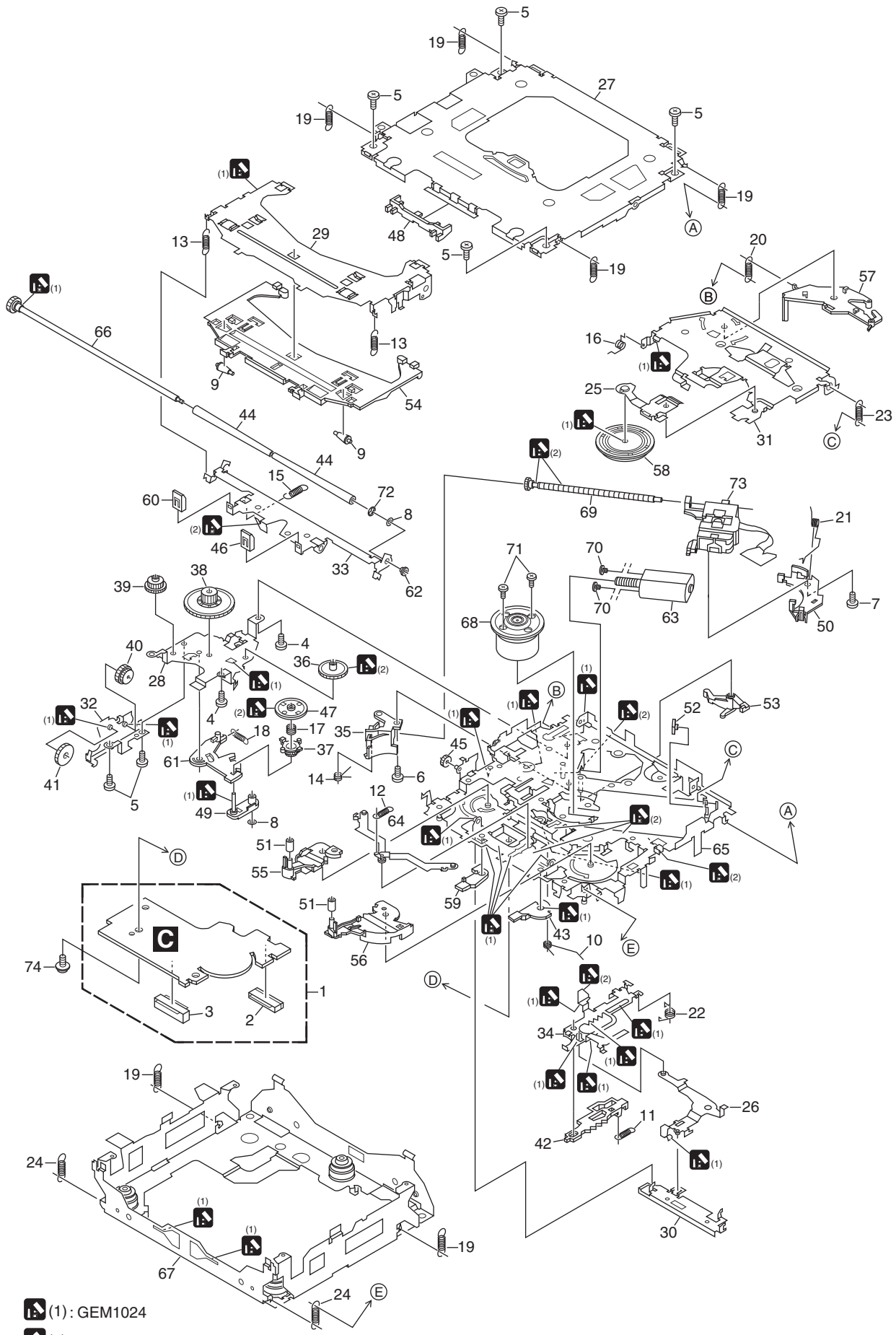
B

C

D

E

F



(1): GEM1024
 (2): GEM1045

CD MECHANISM MODULE SECTION PARTS LIST

<u>Mark No.</u>	<u>Description</u>	<u>Part No.</u>	<u>Mark No.</u>	<u>Description</u>	<u>Part No.</u>
1	CD Core Unit(S10.5COMP2-iPod-C3)	CWX3678	50	Rack	CNV8342
2	Connector(CN101)	CKS4808			
3	Connector(CN701)	CKS5854	51	Roller	CNV8343
4	Screw	BMZ20P025FTC	52	Holder	CNV8344
5	Screw	BSZ20P040FTC	53	Arm	CNV8345
			54	Guide	CNV9498
6	Screw(M2 x 3)	CBA1511	55	Arm	CNV8348
7	Screw(M2 x 4)	CBA1835			
8	Washer	CBF1038	56	Arm	CNV8349
9	Roller	CNV9499	57	Arm	CNV8350
10	Spring	CBH2609	58	Clamper	CNV8365
			59	Arm	CNV8386
11	Spring	CBH2612	60	Guide	CNV8396
12	Spring	CBH2614			
13	Spring	CBH2616	61	Arm	CNV9521
14	Spring	CBH2617	62	Collar	CNV8447
15	Spring	CBH2620	63	Motor Unit(M2)	CXC4026
			64	Arm Unit	CXC4027
16	Spring	CBH2855	65	Chassis Unit	CXC4028
17	Spring	CBH2937			
18	Spring	CBH2735	66	Gear Unit	CXC4029
19	Spring	CBH2854	67	Frame Unit	CXC4031
20	Spring	CBH2642	68	Motor Unit(M1)	CXC7134
			69	Screw Unit	CXC6359
21	Spring	CBH2856	70	Screw	JFZ20P020FTC
22	Spring	CBH2857			
23	Spring	CBH2860	71	Screw	JGZ17P022FTC
24	Spring	CBH2861	72	Washer	YE20FTC
25	Spring	CBL1686	73	Pickup Unit(P10.5)(Service)	CXX1942
			74	Screw	IMS26P030FTC
26	Arm	CND1909			
27	Frame	CND2582			
28	Bracket	CND2583			
29	Arm	CND3831			
30	Lever	CND2585			
31	Arm	CND2586			
32	Bracket	CND2587			
33	Arm	CND2588			
34	Lever	CND2589			
35	Holder	CNV9522			
36	Gear	CNV7207			
37	Gear	CNV9513			
38	Gear	CNV7209			
39	Gear	CNV9514			
40	Gear	CNV9515			
41	Gear	CNV9516			
42	Rack	CNV9517			
43	Arm	CNV7216			
44	Roller	CNV8189			
45	Gear	CNV9518			
46	Guide	CNV9519			
47	Gear	CNV7595			
48	Guide	CNV9520			
49	Arm	CNV7805			

12. ELECTRICAL PARTS LIST

NOTE:

- Parts whose parts numbers are omitted are subject to being not supplied.
- The part numbers shown below indicate chip components.

Chip Resistor

RS1/OSOOOJ,RS1/OOSOOOJ

Chip Capacitor (except for CQS.....)

CKS....., CCS....., CSZS.....

- The \triangle mark found on some component parts indicates the importance of the safety factor of the part. Therefore, when replacing, be sure to use parts of identical designation.
- Meaning of the figures and others in the parentheses in the parts list.

Example) IC 301 is on the point (face A, 91 of x-axis, and 111 of y-axis) of the corresponding PC board.

IC 301 (A, 91, 111) IC NJM2068V

<u>Circuit Symbol and No.</u>	<u>Part No.</u>	<u>Circuit Symbol and No.</u>	<u>Part No.</u>
Unit Number : YWM5339(P610BT)		Q 261 (A,18,54) Transistor	2SD1767
Unit Number : YWM5338(P6100BT)		Q 262 (A,13,52) Transistor	RT3T22M
Unit Name : Tuner Amp Assy		Q 301 (A,140,127) Transistor	IMH23
Unit Number : (P610BT)		Q 302 (A,145,133) Transistor	IMH23
Unit Number : (P6100BT)		Q 303 (A,133,127) Transistor	IMH23
Unit Name : Keyboard Unit		Q 304 (A,120,114) Transistor	RT3T22M
Unit Number : CWX3678		Q 381 (A,129,126) Transistor	2SC4081
Unit Name : CD Core Unit(\$10.5COMP2-iPod-C3)		Q 382 (A,121,118) Transistor	LTC124EUB
Unit Number : YWM5398		Q 383 (A,130,118) Transistor	LTC114EUB
Unit Name : Antenna Unit		Q 451 (A,26,78) Transistor	RT3T22M
Unit Number : YWM5339(P610BT)		Q 452 (A,6,74) Transistor	2SD2396
Unit Number : YWM5338(P6100BT)		Q 551 (A,71,82) Transistor	RT3T22M
Unit Name : Tuner Amp Assy		Q 751 (A,6,62) Transistor	2SD2396
MISCELLANEOUS		Q 752 (A,22,69) Transistor	RT3T22M
IC 101 (A,37,123) IC	HA12241FP	Q 821 (A,33,22) Transistor	LTC114EUB
IC 201 (A,126,98) IC	PML018A	Q 822 (A,27,15) Transistor	LSA1576UB
IC 261 (A,27,38) IC	NJM2360M	Q 841 (A,54,19) Transistor	LSA1576UB
IC 351 (A,104,143) IC	PA2030A	Q 842 (A,57,21) Transistor	LTC114EUB
IC 431 (A,163,32) IC	NJM2885DL1-33	Q 901 (A,6,108) Transistor	2SD2396
IC 461 (A,53,88) IC	NJM2885DL1-33	Q 902 (A,24,106) Transistor	RT3T22M
IC 501 (A,84,75) L-MOS And Gate	TC7SET08FUS1	Q 921 (A,58,108) Transistor	RT3CLLM
IC 531 (A,59,69) D/A Converter	PCM1753DBQ	D 201 (A,90,98) Diode	HZU13(B1)
IC 541 (A,69,64) IC	NJM4558MD	D 261 (A,24,33) Diode	RB551V-30
IC 551 (A,67,84) IC	TC4066BFT	D 262 (A,17,50) Diode	HZU10(B1)
IC 601 (A,130,55) IC	PEG544B8	D 301 (A,124,131) Diode	1SS355
IC 651 (A,99,39) IC	S-80835CNMC-B8U	D 381 (A,127,131) Diode	HZU8R2(B3)
IC 701 (A,100,76) IC	NJM2885DL1-33	D 382 (A,131,122) Diode	MC2848-11
IC 741 (A,100,31) IC	BD6538G	D 383 (A,134,119) Diode(P610BT)	MC2848-11
IC 761 (A,112,15) IC	BD9007F	D 451 (A,35,85) Diode	MPG06G-6415G50
IC 911 (A,6,124) IC	NJM2388F84	D 452 (A,23,86) Diode	UDZS5R6(B)
Q 101 (A,44,126) Transistor	UMF23N	D 651 (A,101,34) Diode	1SS355
Q 201 (A,92,104) Transistor	2SC4081	D 751 (A,13,68) Diode	HZU7R5(B3)
		D 761 (A,132,24) Diode	1SR154-400
		D 762 (A,104,19) Diode	RB160L-40
		D 801 (A,69,17) Diode	RSB6R8F2
		D 802 (A,75,17) Diode	MALS068X
		D 803 (A,97,11) Diode	RSB6R8F2
		D 804 (A,86,17) Diode	RSB6R8F2
		D 805 (A,78,17) Diode	RSB6R8F2
		D 806 (A,72,17) Diode	MALS068X
		D 807 (A,73,17) Diode	MALS068X

1

2

3

4

Circuit Symbol and No.**Part No.****Circuit Symbol and No.****Part No.**

D 809	(A,74,17) Diode	MALS068X	R 151	(A,79,94)	RS1/16S0R0J
D 811	(A,81,17) Diode	MALS068X	R 152	(A,79,97)	RS1/16S0R0J
D 812	(A,80,17) Diode	MALS068X	R 153	(A,71,78)	RS1/16SS220J
D 901	(A,20,102) Diode	UDZS5R6(B)	R 154	(A,69,79)	RS1/16SS102J
D 902	(A,16,106) Diode	MPG06G-6415G50	R 155	(A,16,130)	RS1/16S102J
D 921	(A,62,119) Diode	UDZS7R5(B)	R 156	(A,19,131)	RS1/16S102J
D 922	(A,57,115) Diode	HZU6R8(B2)	R 157	(A,80,94)	RS1/16S0R0J
D 941	(A,116,130) Diode	MPG06G-6415G50	R 158	(A,80,97)	RS1/16S0R0J
D 942	(A,120,130) Diode	MPG06G-6415G50	R 159	(A,41,76)	RS1/16SS0R0J
D 981	(A,70,134) Diode	MPG06G-6415G50	R 201	(A,138,91)	RS1/16S102J
D 982	(A,43,133) Diode	MPG06G-6415G50	R 202	(A,122,89)	RS1/16S102J
L 101	(A,30,123) Inductor	LCTC1R0K1608	R 203	(A,118,90)	RS1/16S102J
L 201	(A,96,104) Inductor	LCTAW2R2J2520	R 204	(A,115,90)	RS1/16S102J
L 261	(A,17,38) Inductor	CTF1660	R 222	(A,90,102)	RS1/16S101J
L 401	(A,155,106) Inductor	LCTAW220J2520	R 261	(A,20,32)	RS1/16S472J
L 402	(A,153,96) Chip Coil	LCTAW1R0J2520	R 262	(A,12,30)	RS1/16S102J
L 403	(A,155,43) Inductor	LCTAW2R2J3225	R 263	(A,14,30)	RS1/16S821J
L 531	(A,63,67) Inductor	CTF1379	R 264	(A,25,44)	RS1/10SR821J
L 541	(A,76,69) Inductor	CTF1379	R 265	(A,28,44)	RS1/16S1R0J
L 601	(A,118,78) Chip Coil	LCTAW100J2520	R 266	(A,14,54)	RS1/16S102J
L 702	(A,83,34) Inductor	CTF1713	R 301	(A,136,131)	RS1/16SS0R0J
L 761	(A,112,25) Choke Coil 47 uH	CTH1420	R 303	(A,134,130)	RS1/16SS0R0J
L 841	(A,61,21) Chip Coil	LCTAW100J2520	R 304	(A,134,124)	RS1/16S390J
X 601	(A,112,56) Crystal 20 MHz	VSS1167	R 305	(A,138,124)	RS1/16SS390J
S 651	(A,55,11) Switch(RESET)	CSG1020	R 306	(A,132,130)	RS1/16SS223J
P 301	(A,158,129) Poly Switch	RXEF075P	R 307	(A,130,130)	RS1/16SS223J
P 401	(A,160,115) Surge Protector	IMSA-6801-01Y901	R 308	(A,144,130)	RS1/16SS390J
BZ601	(A,91,113) Buzzer	CPV1062	R 309	(A,145,130)	RS1/16SS390J
VA153	(A,11,133) Varistor	EZJZ1V270RM	R 310	(A,149,135)	RS1/16SS223J
VA154	(A,21,134) Varistor	EZJZ1V270RM	R 311	(A,141,134)	RS1/16SS223J
VA155	(A,14,133) Varistor	EZJZ1V270RM	R 312	(A,139,124)	RS1/16SS390J
VA156	(A,12,133) Varistor	EZJZ1V270RM	R 313	(A,143,126)	RS1/16SS390J
VA157	(A,17,133) Varistor	EZJZ1V270RM	R 314	(A,140,131)	RS1/16SS223J
CN551	(A,45,68) Connector	CKS6117	R 315	(A,138,131)	RS1/16SS223J
CN701	(A,74,43) Connector	CKS3833	R 316	(A,119,117)	RS1/16SS102J
CN801	(A,81,7) Connector	CKS6050	R 317	(A,124,135)	RS1/16S820J
CN981	(A,59,140) Plug	CKM1278	R 351	(A,98,124)	RS1/16S153J
JA101	(A,31,137) Connector	CKS5271	R 352	(A,106,123)	RS1/16SS182J
JA151	(A,14,142) Jack	YKS5035	R 353	(A,108,122)	RS1/16SS182J
JA301	(A,144,140) Pin Jack	XKB7001	R 354	(A,114,124)	RS1/16SS182J
JA401	(A,168,130) Antenna Jack	CKX1070	R 355	(A,110,123)	RS1/16SS182J

FM/AM Tuner Unit

CWE2098

R 356	(A,105,126)	RS1/16SS272J
R 357	(A,108,126)	RS1/16SS272J
R 358	(A,113,126)	RS1/16SS272J
R 359	(A,111,126)	RS1/16SS272J

RESISTORS

R 101	(A,26,127)	RS1/16SS181J	R 381	(A,128,129)	RS1/16SS473J
R 102	(A,32,127)	RS1/16SS181J	R 382	(A,132,124)	RS1/16SS473J
R 103	(A,28,127)	RS1/16SS102J	R 383	(A,127,128)	RS1/16SS104J
R 104	(A,29,127)	RS1/16SS102J	R 384	(A,131,118)	RS1/16SS472J
R 105	(A,30,127)	RS1/16SS223J	R 385	(A,127,117)	RS1/16SS103J
R 106	(A,41,127)	RS1/16SS222J	R 386	(A,124,118)	RS1/16SS103J
R 107	(A,38,127)	RS1/16SS150J	R 387	(A,127,118)	RS1/16SS331J
R 108	(A,39,127)	RS1/16SS470J	R 388	(A,127,120)	RS1/16SS101J
R 109	(A,44,122)	RS1/16SS101J	R 389	(A,133,117) (P6100BT)	RS1/16SS0R0J
R 110	(A,34,127)	RS1/16SS101J	R 413	(A,155,81)	RS1/16S681J
R 111	(A,37,127)	RS1/16SS101J	R 415	(A,155,85)	RS1/16S681J
R 112	(A,34,119)	RS1/16SS102J	R 416	(A,155,86)	RS1/16S681J
R 113	(A,42,127)	RS1/16SS562J	R 417	(A,155,88)	RS1/16S681J
R 114	(A,46,126)	RS1/16S332J	R 418	(A,155,89)	RS1/16S681J
R 115	(A,27,127)	RS1/16SS223J	R 419	(A,155,91)	RS1/16S681J

1

2

3

4

5		6		7		8	
<u>Circuit Symbol and No.</u>		<u>Part No.</u>		<u>Circuit Symbol and No.</u>		<u>Part No.</u>	
R 451	(A,26,74)	RS1/16S392J		R 704	(A,90,48)	RS1/16S221J	
R 452	(A,23,77)	RS1/4SA0R0J		R 705	(A,94,48)	RS1/16S221J	
R 453	(A,28,78)	RS1/16S103J		R 706	(A,98,48)	RS1/16S221J	A
R 454	(A,27,74)	RS1/16S223J		R 707	(A,96,46)	RS1/16S221J	
R 501	(A,80,75)	RS1/16SS681J		R 708	(A,90,49)	RS1/16S221J	
R 502	(A,86,74)	RS1/16SS681J		R 709	(A,104,56)	RS1/16S102J	
R 504	(A,84,77)	RS1/16S0R0J		R 712	(A,87,33)	RS1/16S120J	
R 522	(A,80,69)	RS1/16S182J		R 713	(A,88,34)	RS1/16S120J	
R 524	(A,84,71)	RS1/16SS182J		R 714	(A,67,49)	RS1/16SS682J	
R 525	(A,84,72)	RS1/16SS332J		R 715	(A,67,50)	RS1/16SS682J	
R 527	(A,81,71)	RS1/16S332J		R 716	(A,67,51)	RS1/16SS682J	
R 532	(A,54,70)	RS1/16S101J		R 717	(A,67,52)	RS1/16SS682J	
R 533	(A,54,67)	RS1/16SS101J		R 741	(A,96,33)	RS1/16S104J	
R 534	(A,54,68)	RS1/16SS101J		R 742	(A,105,31)	RS1/10SR471J	B
R 535	(A,54,69)	RS1/16SS101J		R 743	(A,116,42)	RS1/16S102J	
R 541	(A,68,59)	RS1/16S103J		R 751	(A,26,68)	RS1/4SA102J	
R 542	(A,64,60)	RS1/16SS103J		R 762	(A,102,16)	RS1/16S4702D	
R 543	(A,66,63)	RS1/16SS473J		R 763	(A,102,13)	RS1/16S6801F	
R 544	(A,66,64)	RS1/16SS473J		R 764	(A,100,17)	RS1/16S1002D	
R 545	(A,74,66)	RS1/16S103J		R 765	(A,105,15)	RS1/16S393J	
R 546	(A,73,65)	RS1/16S103J		R 766	(A,118,13)	RS1/16S473J	
R 547	(A,65,67)	RS1/16SS103J		R 767	(A,118,14)	RS1/16S392J	
R 548	(A,71,68)	RS1/16SS103J		R 768	(A,112,35)	RS1/16S0R0J	
R 553	(A,71,84)	RS1/16SS104J		R 801	(A,128,73)	RS1/16SS102J	
R 556	(A,71,80)	RS1/16SS104J		R 802	(A,124,38)	RS1/16S222J	C
R 557	(A,62,80)	RS1/16SS151J		R 803	(A,128,39)	RS1/16SS222J	
R 558	(A,42,74)	RS1/16S0R0J		R 804	(A,129,39)	RS1/16SS222J	
R 560	(A,71,85)	RS1/16SS105J		R 805	(A,122,38)	RS1/16S222J	
R 601	(A,138,40) (P610BT)	RS1/16S104J		R 806	(A,112,44)	RS1/16S222J	
R 603	(A,100,113)	RS1/16S102J		R 807	(A,137,45)	RS1/16S222J	
R 605	(A,126,43)	RS1/16S104J		R 811	(A,130,73)	RS1/16S183J	
R 606	(A,120,41)	RS1/16S101J		R 812	(A,110,38)	RS1/16S473J	
R 607	(A,122,43)	RS1/16S472J		R 813	(A,120,36)	RS1/16S104J	
R 609	(A,121,45)	RS1/16S472J		R 814	(A,120,35)	RS1/16S104J	
R 610	(A,139,38) (P6100BT)	RS1/16S104J		R 815	(A,136,81)	RS1/16S104J	
R 612	(A,118,55)	RS1/16SS473J		R 816	(A,143,64)	RS1/16SS102J	D
R 613	(A,141,56)	RS1/16SS681J		R 819	(A,128,34)	RS1/16S104J	
R 614	(A,117,60)	RS1/16S681J		R 821	(A,26,19)	RS1/4SA472J	
R 619	(A,116,67)	RS1/16S104J		R 822	(A,25,15)	RS1/16S103J	
R 620	(A,142,66)	RS1/16S104J		R 823	(A,53,16)	RS1/16S1R0J	
R 621	(A,142,67)	RS1/16S104J		R 841	(A,54,22)	RS1/16S102J	
R 622	(A,122,67)	RS1/16SS0R0J		R 842	(A,51,22)	RS1/16S473J	
R 623	(A,128,70)	RS1/16S103J		R 901	(A,22,104)	RS1/16S333J	
R 624	(A,131,67)	RS1/16S473J		R 902	(A,23,101)	RS1/16S821J	
R 626	(A,140,53)	RS1/16SS103J		R 903	(A,25,103)	RS1/16S821J	
R 627	(A,114,44)	RS1/16S222J		R 912	(A,11,116)	RS1/16S473J	
R 628	(A,116,65)	RS1/16S472J		R 921	(A,59,111)	RS1/16S104J	E
R 631	(A,130,43)	RS1/16S103J		R 922	(A,60,114)	RS1/16S103J	
R 633	(A,134,44)	RS1/16SS681J		R 923	(A,62,116)	RS1/16S473J	
R 634	(A,135,44)	RS1/16SS681J		R 924	(A,59,116)	RS1/16S223J	
R 635	(A,136,44)	RS1/16SS681J		R 925	(A,59,119)	RS1/16S472J	
R 636	(A,142,49)	RS1/16SS681J					
R 637	(A,142,50)	RS1/16SS681J					
R 638	(A,143,51)	RS1/16SS681J					
R 639	(A,127,43)	RS1/16S473J					
R 641	(A,138,81)	RS1/16S104J					
R 651	(A,98,36)	RS1/16S183J					
R 652	(A,94,39)	RS1/16S102J					
R 702	(A,104,53)	RS1/16S104J					
R 703	(A,94,50)	RS1/16S473J					
				CAPACITORS			
				C 103	(A,24,127)	CKSRYB104K16	
				C 106	(A,32,122)	CKSSYB104K16	
				C 151	(A,77,82)	CEJQ330M16	
				C 202	(A,126,88)	CKSRYB105K10	F
				C 203	(A,128,89)	CKSRYB105K10	
				C 206	(A,131,107)	CKSRYB224K10	

1

2

3

4

Circuit Symbol and No.**Part No.****Circuit Symbol and No.****Part No.**

	C 207	(A,133,107)	CKSRYB224K10	C 465	(A,45,92)	CKSRYB103K50
	C 210	(A,131,88)	CKSRYB105K10	C 466	(A,52,93)	CKSYB475K16
	C 211	(A,134,88)	CKSRYB105K10	C 501	(A,86,77)	CKSSYB104K10
A	C 212	(A,102,103)	CEJQ470M16	C 531	(A,57,75)	CEJQ100M25
	C 213	(A,98,103)	CKSRYB105K10	C 533	(A,63,69)	CKSSYB102K50
	C 214	(A,102,90)	CKSRYB104K16	C 534	(A,66,73)	CEJQ100M25
	C 215	(A,126,109)	CEJQ100M25	C 535	(A,64,62)	CKSRYB105K10
	C 216	(A,113,105)	CEJQ4R7M25	C 536	(A,65,66)	CKSRYB105K10
	C 217	(A,137,94)	CKSRYB105K10	C 541	(A,66,60)	CCSRCH391J50
	C 218	(A,139,94)	CKSRYB105K10	C 542	(A,73,61)	CCSRCH221J50
	C 219	(A,138,94)	CKSRYB105K10	C 543	(A,71,73)	CEJQ100M25
	C 220	(A,107,93)	CEJQ470M16	C 544	(A,74,69)	CKSRYB105K10
	C 222	(A,92,100)	CKSRYB104K16	C 545	(A,73,68)	CCSRCH221J50
	C 223	(A,118,104)	CCSRCH100D50	C 546	(A,68,69)	CCSRCH391J50
B	C 224	(A,125,104)	CCSRCH100D50	C 551	(A,64,81)	CKSSYB104K10
	C 227	(A,118,106)	CKSRYB105K16	C 553	(A,63,87)	CKSSYB104K10
	C 228	(A,126,106)	CKSRYB105K10	C 555	(A,41,72)	CKSSYB104K10
	C 262	(A,18,30)	CCSRCH101J50	C 557	(A,67,79)	CKSSYB104K10
	C 263	(A,25,28)	CEJQ470M16	C 601	(A,132,34)	CCSRCH470J50
	C 264	(A,25,23) 4.7 uF	CCG1111	C 602	(A,142,53)	CKSQYB475K10
	C 265	(A,28,33)	CCSRCH331J50	C 603	(A,116,54)	CCSRCH100D50
	C 266	(A,25,52)	CEJQ101M16	C 605	(A,116,60)	CCSRCH100D50
	C 267	(A,28,46)	CKSRYB104K16	C 606	(A,126,77)	CEJQ4R7M25
	C 269	(A,17,49)	CKSRYB104K16	C 607	(A,122,76)	CKSRYB103K50
	C 301	(A,145,109)	CEJQ100M25	C 609	(A,126,71)	CKSRYB474K10
C	C 302	(A,139,120)	CEJQ100M25	C 610	(A,126,69)	CKSRYB474K10
	C 305	(A,137,115)	CEJQ100M25	C 611	(A,130,70)	CKSRYB102K50
	C 306	(A,159,120)	CEJQ100M25	C 615	(A,136,38)	CCSRCH470J50
	C 309	(A,146,120)	CEJQ100M25	C 651	(A,95,36)	CKSRYB105K10
	C 310	(A,144,115)	CEJQ100M25	C 702	(A,86,56)	CKSRYB104K16
	C 313	(A,114,111)	CEJQ220M16	C 704	(A,93,64)	CEJQ220M16
	C 351	(A,108,128)	CKSRYB474K10	C 705	(A,95,81)	CKSRYB103K50
	C 352	(A,106,128)	CKSRYB474K10	C 706	(A,104,81)	CKSRYB474K10
	C 353	(A,113,128)	CKSRYB474K10	C 741	(A,96,31)	CKSRYB105K10
	C 354	(A,111,128)	CKSRYB474K10	C 742	(A,104,31)	CKSRYB105K10
D	C 355	(A,108,131)	CKSQYB474K25	C 745	(A,66,37)	CKSRYB103K50
	C 356	(A,111,131)	CKSQYB474K25	C 751	(A,19,63)	CEJQ101M10
	C 357	(A,113,131)	CKSQYB474K25	C 753	(A,12,58)	CKSRYB102K50
	C 358	(A,106,131)	CKSQYB474K25	C 754	(A,12,68)	CKSRYB473K16
	C 359	(A,121,135)	CKSQYB225K10	C 762	(A,102,25) 150 uF/6.3 V	CCH1804
	C 360	(A,121,137)	CKSQYB225K10	C 763	(A,72,25)	CEJQ221M16
	C 363	(A,98,147)	CKSRYB104K16	C 764	(A,118,17)	CKSQYB225K16
	C 364	(A,81,127) 3 300 uF/16 V	CCH1486	C 765	(A,105,13)	CKSRYB153K50
	C 368	(A,97,120)	CKSYB106K10	C 766	(A,107,14)	CCSRCH330J50
	C 382	(A,114,117)	CEJQ330M16	C 768	(A,122,22)	CEJQ221M16
	C 412	(A,146,41)	CKSRYB103K50	C 769	(A,114,38)	CCSRCH470J50
E	C 413	(A,154,69)	CKSRYB102K50	C 770	(A,87,25)	CKSYB475K16
	C 414	(A,150,44)	CEJQ470M10	C 805	(A,130,72)	CKSRYB102K50
	C 416	(A,149,97)	CKSRYB103K50	C 807	(A,84,17)	CKSRYB104K16
	C 417	(A,149,101)	CEJQ101M10	C 810	(A,82,17)	CKSRYB104K16
	C 419	(A,155,76)	CCSRCH101J50	C 821	(A,52,19)	CKSRYB104K16
	C 431	(A,152,27)	CEJQ470M10	C 842	(A,61,19)	CKSRYB102K50
	C 432	(A,148,28)	CKSRYB103K50	C 901	(A,30,104)	CEJQ101M16
	C 433	(A,158,37)	CKSRYB103K50	C 902	(A,26,101)	CKSRYB104K16
	C 434	(A,152,36)	CEJQ4R7M25	C 903	(A,18,102)	CKSRYB103K50
	C 451	(A,17,73)	CEHAS101M10	C 904	(A,19,95) 2 200 uF/16 V	CCH1405
	C 452	(A,26,80)	CKSRYB103K50	C 911	(A,17,112)	CEHAS101M10
F	C 454	(A,17,84) 470 uF/16 V	CCH1331	C 912	(A,11,118)	CKSRYB103K50
	C 463	(A,47,80)	CEJQ220M16	C 913	(A,17,120) 100 uF/25 V	CCH1316
	C 464	(A,49,84)	CKSRYB103K50	C 921	(A,59,120)	CKSRYB104K16

1

2

3

4

5
Circuit Symbol and No.

6
Part No.

C 942 (A,118,136) CKSRYB473K25

B

Unit Number :

Unit Name : Keyboard Unit

MISCELLANEOUS

IC 1101 (B,106,18) IC	PD6538A
IC 1102 (A,122,8) Remote IC	GP1UXC14RK
Q 1101 (B,78,22) Transistor	LTC114EUB
Q 1102 (B,72,26) Transistor	LTC114EUB
Q 1103 (B,22,8) Transistor	LTC114EUB
Q 1106 (B,18,33) Chip Transistor	2SD2114K
D 1103 (A,76,8) LED	CL-197HB1-D(CDE)
D 1104 (A,86,8) LED	CL-197HB1-D(CDE)
D 1105 (B,138,18) Diode	MALS068X
D 1106 (B,141,16) Diode	MALS068X
D 1107 (B,143,18) Diode	MALS068X
D 1108 (B,142,25) Diode	MALS068X
D 1109 (B,141,28) Diode	MALS068X
D 1110 (A,66,23) White LED	NESW505C-5273
D 1131 (A,33,11) LED	CL-197HB1-D(CDE)
D 1132 (A,7,10) LED	CL-197HB1-D(CDE)
D 1133 (A,8,33) LED	CL-197HB1-D(CDE)
D 1134 (A,18,30) LED	CL-197HB1-D(CDE)
D 1135 (A,43,11) LED	CL-197HB1-D(CDE)
D 1136 (A,33,31) LED	CL-197HB1-D(CDE)
D 1137 (A,57,28) LED	CL-197HB1-D(CDE)
D 1138 (A,43,28) LED	CL-197HB1-D(CDE)
D 1139 (A,57,11) LED	CL-197HB1-D(CDE)
D 1140 (A,148,41) LED	CL-197HB1-D(CDE)
D 1141 (A,21,10) LED	CL-197HB1-D(CDE)
X 1101 (B,120,10) Ceramic Resonator 5.00 MHz	CSS1731
S 1101 (A,39,30) Push Switch	CSG1155
S 1102 (A,20,34) Push Switch	CSG1155
S 1103 (A,32,33) Push Switch	CSG1155
S 1104 (A,32,8) Push Switch	CSG1155
S 1105 (A,8,6) Push Switch	CSG1155
S 1106 (A,20,7) Push Switch	CSG1155
S 1107 (A,61,9) Push Switch	CSG1155
S 1108 (A,147,38) Push Switch	CSG1155
S 1109 (A,39,9) Push Switch	CSG1155
S 1110 (A,8,38) Push Switch	CSG1155
S 1111 (A,61,30) Push Switch	CSG1155
S 1112 (A,50,19) Switch(MULTI-CONTROL)	CSX1120
VA1101 (B,88,19) Varistor	EZJZ1V270RM
VA1102 (B,87,19) Varistor	EZJZ1V270RM
CN1101 (B,74,10) Connector	CKS6049
CN1103 (A,151,25) Connector	YKS5032
JA1102 (A,146,7) Jack	YKN5006
LCD	YAW5104

RESISTORS

R 1101 (B,124,17)	RS1/16S2R2J
R 1103 (B,123,20)	RS1/16S101J
R 1104 (B,67,23)	RS1/16S681J
R 1105 (B,69,23)	RS1/16S681J
R 1113 (B,39,30)	RS1/4SA152J
R 1114 (B,5,35)	RS1/4SA152J

7
Circuit Symbol and No.

8
Part No.

R 1115 (B,36,13)	RS1/4SA152J
R 1116 (B,63,27)	RS1/4SA152J
R 1117 (B,33,7)	RS1/4SA152J
R 1118 (B,29,8)	RS1/16S391J
R 1120 (B,67,27)	RS1/4SA821J
R 1124 (B,21,32)	RS1/16S103J
R 1125 (B,22,11)	RS1/16S103J
R 1126 (B,84,18)	RS1/16S102J
R 1127 (B,92,19)	RS1/16S102J
R 1128 (B,81,19)	RS1/16S102J
R 1129 (B,65,20)	RS1/16S102J
R 1130 (B,41,9)	RS1/16S682J
R 1131 (B,39,8)	RS1/16S272J
R 1133 (B,64,22)	RS1/16S103J
R 1134 (B,42,30)	RS1/16S473J
R 1135 (B,39,11)	RS1/16S153J
R 1136 (B,134,19)	RS1/16S101J
R 1137 (B,143,21)	RS1/16S101J
R 1138 (B,110,8)	RS1/16S222J
R 1142 (B,141,21)	RS1/16S223J
R 1143 (B,141,19)	RS1/16S223J

CAPACITORS

C 1101 (B,140,21)	CKSRYB472K50
C 1102 (B,141,17)	CKSRYB472K50
C 1105 (B,120,15)	CKSRYB104K16
C 1106 (B,121,18)	CKSRYB103K50
C 1107 (B,121,17)	CKSRYB103K50
C 1108 (B,126,19)	CKSQYB106K6R3

C

Unit Number : CWX3678

Unit Name : CD Core Unit(\$10.5COMP2-iPod-C3)

MISCELLANEOUS

IC 201 (A,35,46) IC	PE5661A
IC 205 (B,24,49) IC	341S2162
IC 301 (A,28,15) IC	BA5839FP
Q 101 (B,58,69) Transistor	2SA1577
Q 102 (B,48,58) Chip Transistor	2SB1689
Q 201 (B,27,54) Transistor	2SA1577
X 201 (A,22,37) Ceramic Resonator 16.934 MHz	CSS1603
X 205 (B,33,63) Oscillator 48.000 MHz	CSS1753
S 901 (A,55,37) Switch(HOME)	CSN1067
S 903 (B,19,58) Switch(DSCSNS)	CSN1067
S 904 (B,40,68) Switch(12EJ)	CSN1068
S 905 (B,25,69) Switch(8EJ)	CSN1068

RESISTORS

R 101 (B,61,74)	RS1/10SR2R4J
R 102 (B,61,72)	RS1/10SR2R4J
R 103 (B,61,71)	RS1/10SR2R7J
R 104 (B,53,66)	RS1/16SS222J
R 105 (B,44,57)	RS1/16SS102J
R 107 (B,52,60)	RS1/16SS105J
R 202 (A,27,32)	RS1/16SS473J
R 203 (A,51,44)	RS1/16S473J
R 204 (A,23,58)	RS1/16SS221J

1

2

3

4

Circuit Symbol and No.**Part No.****Circuit Symbol and No.****Part No.**

R 206	(B,10,26)	RS1/16SS104J
R 209	(B,18,52)	RS1/16SS103J
R 210	(B,10,23)	RS1/16SS102J
R 214	(B,49,50)	RS1/16SS472J
R 216	(B,48,49)	RS1/16SS472J
R 221	(A,51,48)	RS1/16SS103J
R 222	(A,51,46)	RS1/16SS103J
R 223	(B,13,43)	RS1/16SS473J
R 225	(A,50,50)	RS1/16SS103J
R 226	(A,50,51)	RS1/16SS393J
R 227	(B,47,51)	RS1/16SS562J
R 228	(B,44,51)	RS1/16SS122J
R 229	(B,46,53)	RS1/16SS472J
R 230	(B,21,25)	RS1/16SS0R0J
R 232	(B,45,51)	RS1/16SS122J
R 233	(B,26,59)	RS1/16SS103J
R 234	(B,22,26)	RS1/16SS473J
R 235	(A,26,59)	RS1/16SS473J
R 237	(A,24,35)	RS1/16SS151J
R 240	(B,14,26)	RS1/16S473J
R 241	(B,13,25)	RS1/16SS103J
R 244	(B,22,55)	RS1/16SS473J
R 249	(B,14,50)	RS1/16SS103J
R 250	(B,19,50)	RS1/16SS101J
R 252	(B,18,47)	RS1/16SS101J
R 254	(A,25,64)	RS1/16SS104J
R 255	(A,26,63)	RS1/16SS104J
R 256	(A,25,62)	RS1/16SS104J
R 259	(A,27,66)	RS1/16SS0R0J
R 261	(A,26,65)	RS1/16SS104J
R 262	(A,29,59)	RS1/16SS0R0J
R 263	(A,27,63)	RS1/16SS0R0J
R 273	(B,18,48)	RS1/16SS103J
R 277	(B,18,50)	RS1/16SS103J
R 282	(A,30,61)	RS1/16SS120J
R 283	(A,29,61)	RS1/16SS120J
R 284	(B,29,63)	RS1/16SS153J
R 285	(B,28,63)	RS1/16SS153J
R 291	(B,42,62)	RS1/16SS272J
R 292	(B,24,43)	RS1/16SS272J
R 293	(B,27,52)	RS1/16SS472J
R 294	(A,31,62)	RS1/16SS471J
R 307	(A,35,19)	RS1/16SS183J
R 308	(A,37,19)	RS1/16SS183J
R 309	(A,35,21)	RS1/16SS183J
R 310	(A,37,22)	RS1/16SS183J
R 601	(B,30,31)	RS1/16SS0R0J
R 602	(B,27,31)	RS1/16SS0R0J
R 606	(B,28,23)	RS1/16S0R0J
R 701	(B,11,37)	RS1/16SS221J
R 702	(A,23,56)	RS1/16SS221J
R 708	(B,15,37)	RS1/16S0R0J
R 712	(B,14,54)	RS1/16SS0R0J
R 713	(B,14,53)	RS1/16SS0R0J

CAPACITORS

C 106	(B,56,67)	CKSQYB475K10
C 202	(A,28,57)	CKSSYB104K10
C 204	(A,23,59)	CKSSYB103K16

C 205	(B,27,41)	CKSQYB475K10
C 206	(A,23,40)	CKSSYB104K10
C 207	(A,24,37)	CKSRYB104K16
C 209	(B,35,34)	CEVW220M6R3
C 210	(B,29,37)	CKSSYB104K10
C 211	(A,28,35)	CKSSYB104K10
C 212	(A,28,30)	CKSRYB104K16
C 213	(A,46,39)	CKSSYB104K10
C 214	(A,29,33)	CKSSYB104K10
C 216	(A,51,52)	CKSSYB332K50
C 217	(A,48,51)	CKSSYB104K10
C 218	(A,50,52)	CKSSYB473K10
C 219	(A,47,53)	CKSSYB104K10
C 220	(A,48,53)	CKSSYB182K50
C 221	(A,46,54)	CKSSYB104K10
C 222	(B,45,53)	CCSSCH560J50
C 223	(B,47,53)	CCSSCH4R0C50
C 224	(A,44,55)	CKSSYB104K10
C 226	(A,42,59)	CCSSCH680J50
C 227	(A,42,61)	CCSSCH470J50
C 228	(B,41,61)	CKSSYB103K16
C 229	(B,48,60)	CKSSYB104K10
C 236	(A,49,58)	CKSSYB104K10
C 239	(B,46,51)	CCSSCH220J50
C 240	(A,38,61)	CKSSYB104K10
C 243	(B,22,41)	CKSQYB475K10
C 250	(A,52,48)	CKSSYB102K50
C 251	(A,52,46)	CKSSYB102K50
C 260	(A,28,61)	CKSSYB104K10
C 261	(B,33,66)	CCSSCH8R0D50
C 262	(B,31,66)	CCSSCH8R0D50
C 290	(B,26,45)	CKSSYB104K10
C 293	(B,43,61)	CKSSYB102K50
C 294	(B,24,41)	CKSSYB104K10
C 303	(A,36,19)	CKSSYB472K25
C 304	(A,36,21)	CKSSYB223K16
C 307	(A,22,11)	CKSRYB104K16
C 308	(B,11,18)	CKSRYB105K10
C 703	(B,14,35)	CCSSCH101J50
C 704	(B,11,36)	CKSSYB102K50
C 711	(A,31,25)	CKSSYB104K10

D**Unit Number : YWM5398****Unit Name : Antenna Unit****MISCELLANEOUS**

CN1501	(A,16,4) Connector	CKS5749
JA1501	(B,9,9) Antenna	CTX1108

Miscellaneous Parts List

M 1	Pickup Unit(P10.5)(Service)	CXX1942
M 2	Motor Unit(SPINDLE)	CXC7134
M 2	Motor Unit(LOADING/CARRIAGE)	CXC4026

1

2

3

4