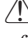
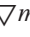
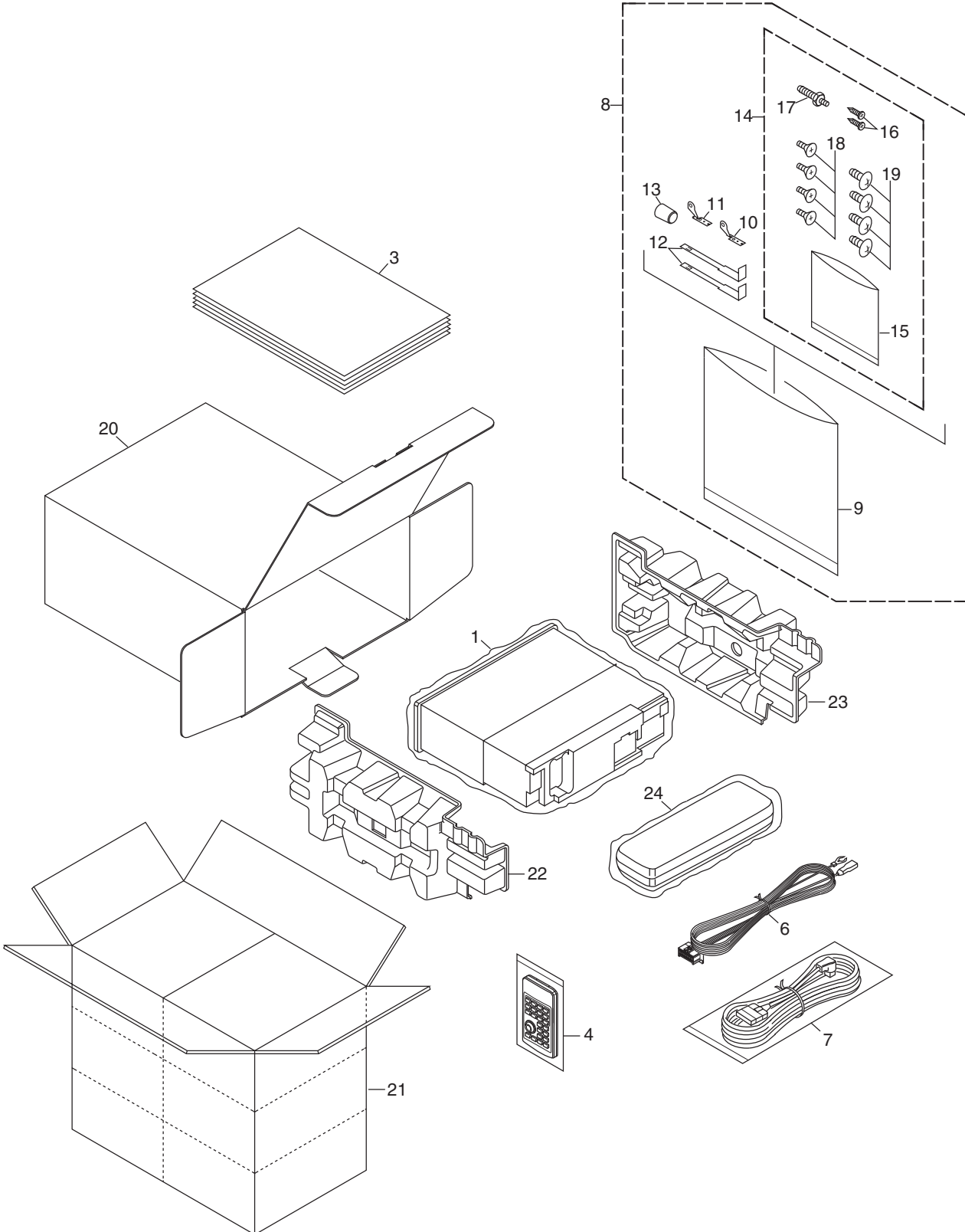


2. EXPLODED VIEWS AND PARTS LIST

NOTES : • Parts marked by " * " are generally unavailable because they are not in our Master Spare Parts List.
 • The  mark found on some component parts indicates the importance of the safety factor of the part. Therefore, when replacing, be sure to use parts of identical designation.
 • Screw adjacent to  mark on the product are used for disassembly.
 • For the applying amount of lubricants or glue, follow the instructions in this manual.
 (In the case of no amount instructions, apply as you think it appropriate.)

2.1 PACKING



(1)PACKING SECTION PARTS LIST

<u>Mark No.</u>	<u>Description</u>	<u>Part No.</u>	<u>Mark No.</u>	<u>Description</u>	<u>Part No.</u>
1	Polyethylene Bag	CEG1173			
2		11	Holder	CND1250
3-1	Caution Card	CRP1310	12	Handle	CND3707
*	3-2 Caution Card	See Contrast table (2)	13	Bush	CNV3930
*	3-3 Warranty Card	See Contrast table (2)	14	Screw Assy	CEA5317
			*	15 Polyethylene Bag	CEG-127
3-4	Owner's Manual	See Contrast table (2)			
3-5	Installation Manual	See Contrast table (2)	16	Screw	BPZ20P060FTB
*	3-6 Caution Card	XRP7002	17	Screw	CBA1650
4	Remote Control Unit	CXC5717	18	Screw	CRZ50P090FTC
5		19	Screw	TRZ50P080FTC
			20	Unit Box	See Contrast table (2)
6	Cord Assy	XDP7004			
7	Cord Assy	See Contrast table (2)	21	Contain Box	See Contrast table (2)
8	Accessory Assy	XEA7011	22	Protector	XHP7016
9	Polyethylene Bag	CEG1160	23	Protector	XHP7017
10	Holder	CND1249	24	Case Assy	See Contrast table (2)

(2) CONTRAST TABLE

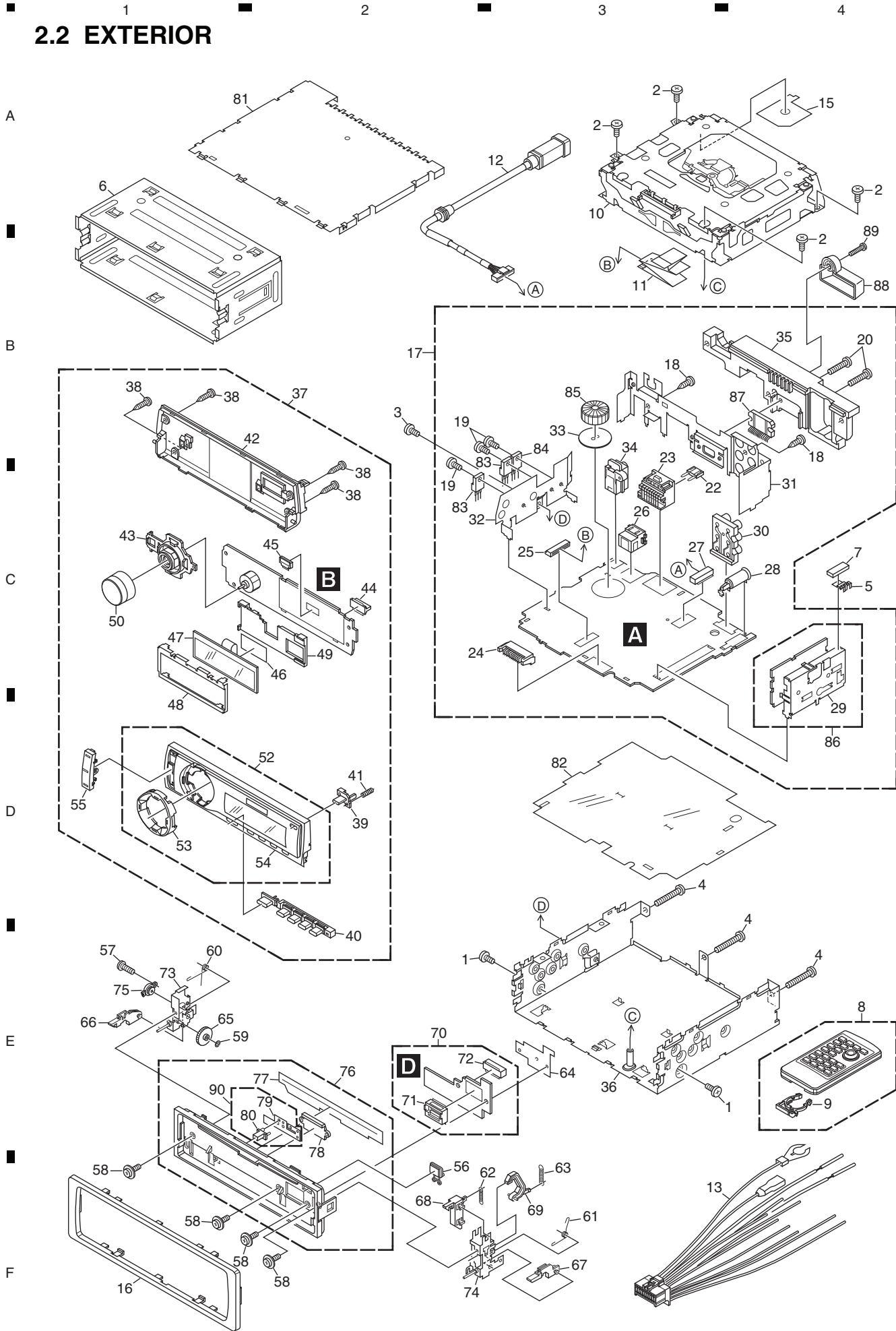
DEH-P590IB/XN/UC and DEH-P5900IB/XN/UC are constructed the same except for the following:

Mark	No.	Description	DEH-P590IB/XN/UC	DEH-P5900IB/XN/UC
*	3-2	Caution Card	Not used	CRP1294
*	3-3	Warranty Card	CRY1070	CRY1246
	3-4	Owner's Manual	XRD7140	XRD7142
	3-5	Installation Manual	XRD7141	XRD7143
	7	Cord Assy	XDP7005	Not used
	20	Unit Box	XHG7139	XHG7134
	21	Contain Box	XHL7139	XHL7134
	24	Case Assy	XXA7417	Not used

Owner's Manual,Installation Manual

Part No.	Language
XRD7140, XRD7141, XRD7142, XRD7143	English, French, Spanish

2.2 EXTERIOR



(1)EXTERIOR SECTION PARTS LIST

<u>Mark No.</u>	<u>Description</u>	<u>Part No.</u>	<u>Mark No.</u>	<u>Description</u>	<u>Part No.</u>
1	Screw	BMZ30P040FTB	50	Knob Unit	XXA7493
2	Screw	BSZ26P060FTC			
3	Screw	BSZ30P060FTC	51	*****	
4	Screw	BSZ30P200FTC	52	Sub Grille Assy	See Contrast table (2)
5	Earth Plate	CNC8915	53	Plate	XNS7196
			54	Grille Unit	See Contrast table (2)
6	Holder	CND3598	55	Button Unit	XXA7508
7	Cushion	CNM8890			
8	Remote Control Unit	CXC5717	56	Button	CAC7752
9	Cover	CZN5357	57	Screw(M2 x 4)	CBA1649
10	CD Mechanism Module(S10.5)	CXK5763	58	Screw	CBA1925
			59	Washer	CBF1038
11	Cable	XDE7022	60	Spring	CBH2650
12	Cord Assy	XDE7026			
13	Cord Assy	XDP7004	61	Spring	CBH2651
14	*****		62	Spring	CBH2652
15	Insulator	XNM7106	63	Spring	CBH2653
			64	Holder	CND1254
16	Panel	See Contrast table (2)	65	Gear	CNV5997
17	Tuner Amp Unit	See Contrast table (2)			
18	Screw	BPZ26P070FTC	66	Arm	CNV7400
19	Screw	BSZ26P060FTC	67	Arm	CNV7401
20	Screw	BSZ26P200FTC	68	Arm	CNV7402
			69	Arm	CNV7403
21	*****		70	Panel Unit	CWM8758
⚠ 22	Fuse(10 A)	CEK1208			
23	Plug(CN901)	CKM1376	71	Connector(CN1951)	CKS4806
24	Plug(CN801)	CKS3537	72	Connector(CN1950)	CKS5192
25	Connector(CN651)	CKS3829	73	Holder Unit	CXB9501
			74	Holder Unit	CXB9502
26	Connector(CN101)	CKS5271	75	Damper Unit	CXB9503
27	Connector(CN701)	CKS5691			
28	Antenna Jack(CN401)	CKX1056	76	Sub Panel Assy	XXA7511
29	Holder	CND1054	77	Cover	CNM6854
30	Pin Jack(CN352)	XKB7001	78	Lighting Conductor	CNV6487
			79	Spring	CBL1512
31	Holder	XNC7026	80	Pin	CNV6486
32	Holder	XNC7030			
33	Insulator	XNM7031	81	Case	YNB5014
34	Jack(CN171)	XKS7005	82	Insulator	YNM5062
35	Heat Sink	YNR5031	83	Transistor(Q650,911)	2SD2396
			84	IC(IC901)	NJM2388F84
36	Chassis Unit	XXA7507	85	Choke Coil(L901)	CTH1280
37	Detachable Assy	See Contrast table (2)			
38	Screw	BPZ20P080FTB	86	FM/AM Tuner Unit	CWE1952
39	Button	XAC7149	87	IC(IC301)	PAL007C
40	Button	See Contrast table (2)	88	Holder	See Contrast table (2)
			89	Screw	See Contrast table (2)
41	Spring	XBH7001	90	Sub Spring Assy	XXA7363
42	Cover	XNS7180			
43	Lighting Conductor	XNV7035			
44	Connector(CN1801)	CKS5207			
45	Connector(CN1802)	CKS5545			
46	Double side Tape	CNM8673			
47	OEL Unit	MXS8231			
48	Holder	XNC7009			
49	Holder	XNV7029			

(2) CONTRAST TABLE

DEH-P590IB/XN/UC and DEH-P5900IB/XN/UC are constructed the same except for the following:

Mark	No.	Description	DEH-P590IB/XN/UC	DEH-P5900IB/XN/UC
A	16	Panel	XNS7182	XNS7181
	17	Tuner Amp Unit	XWM7164	XWM7165
	37	Detachable Assy	XXA7518	XXA7517
	40	Button	XAC7157	XAC7156
	52	Sub Grille Assy	XXA7500	XXA7499
	54	Grille Unit	XXA7504	XXA7503
	88	Holder	Not used	CNV7619
	89	Screw	Not used	BMZ40P140FTC

B

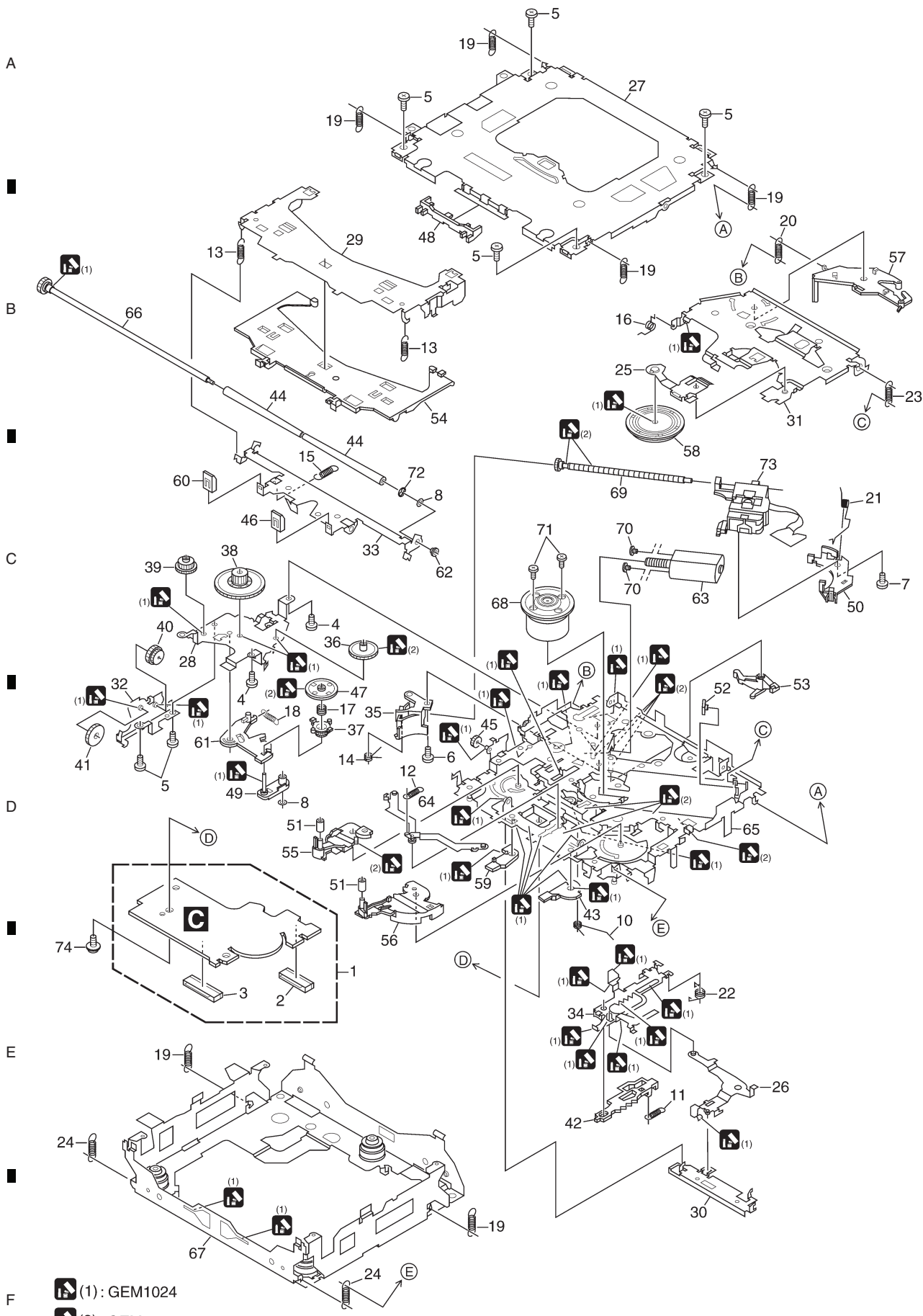
C

D

E

F

2.3 CD MECHANISM MODULE



(1): GEM1024
 (2): GEM1045

CD MECHANISM MODULE SECTION PARTS LIST

<u>Mark No.</u>	<u>Description</u>	<u>Part No.</u>	<u>Mark No.</u>	<u>Description</u>	<u>Part No.</u>
1	CD Core Unit(S10.5COMP2)	CWX3514	50	Rack	CNV8342
2	Connector(CN101)	CKS4182			
3	Connector(CN701)	CKS4808	51	Roller	CNV8343
4	Screw	BMZ20P025FTC	52	Holder	CNV8344
5	Screw	BSZ20P040FTC	53	Arm	CNV8345
			54	Guide	CNV8347
6	Screw(M2 x 3)	CBA1511	55	Arm	CNV8348
7	Screw(M2 x 4)	CBA1835			
8	Washer	CBF1038	56	Arm	CNV8349
9		57	Arm	CNV8350
10	Spring	CBH2609	58	Clamper	CNV8365
			59	Arm	CNV8386
11	Spring	CBH2612	60	Guide	CNV8396
12	Spring	CBH2614			
13	Spring	CBH2616	61	Arm	CNV8413
14	Spring	CBH2617	62	Collar	CNV8938
15	Spring	CBH2620	63	Motor Unit(M2)	CXC4026
			64	Arm Unit	CXC4027
16	Spring	CBH2855	65	Chassis Unit	CXC4028
17	Spring	CBH2937			
18	Spring	CBH2735	66	Gear Unit	CXC4029
19	Spring	CBH2854	67	Frame Unit	CXC4031
20	Spring	CBH2642	68	Motor Unit(M1)	CXC7134
			69	Screw Unit	CXC6359
21	Spring	CBH2856	70	Screw	JFZ20P020FTC
22	Spring	CBH2857			
23	Spring	CBH2860	71	Screw	JGZ17P022FTC
24	Spring	CBH2861	72	Washer	YE20FTC
25	Spring	CBL1686	73	Pickup Unit(P10.5)(Service)	CXX1942
			74	Screw	IMS26P030FTC
26	Arm	CND1909			
27	Frame	CND2582			
28	Bracket	CND2583			
29	Arm	CND2584			
30	Lever	CND2585			
31	Arm	CND2586			
32	Bracket	CND2587			
33	Arm	CND2588			
34	Lever	CND2589			
35	Holder	CNV7201			
36	Gear	CNV7207			
37	Gear	CNV7208			
38	Gear	CNV7209			
39	Gear	CNV7210			
40	Gear	CNV7211			
41	Gear	CNV7212			
42	Rack	CNV7214			
43	Arm	CNV7216			
44	Roller	CNV7218			
45	Gear	CNV7219			
46	Guide	CNV7361			
47	Gear	CNV7595			
48	Guide	CNV7799			
49	Arm	CNV7805			

5. ELECTRICAL PARTS LIST

NOTE:

- Parts whose parts numbers are omitted are subject to being not supplied.
- The part numbers shown below indicate chip components.

Chip Resistor

RS1/○S○○○○J,RS1/○○S○○○○J

Chip Capacitor (except for CQS.....)

CKS....., CCS....., CSZS.....

- The \triangle mark found on some component parts indicates the importance of the safety factor of the part. Therefore, when replacing, be sure to use parts of identical designation.
- Meaning of the figures and others in the parentheses in the parts list.

Example) IC 301 is on the point (face A, 91 of x-axis, and 111 of y-axis) of the corresponding PC board.

IC 301 (A, 91, 111) IC NJM2068V

<u>Circuit Symbol and No.</u>	<u>Part No.</u>	<u>Circuit Symbol and No.</u>	<u>Part No.</u>
Unit Number: XWM7164(P590IB)	Q 202 (A,55,76) Transistor	UMD2N	
Unit Number: XWM7165(P5900IB)	Q 301 (A,145,92) Transistor	RT1N241M	
Unit Name : Tuner Amp Unit	Q 351 (A,138,129) Transistor	RT3C99M	
Unit Number:	Q 352 (B,139,128) Transistor	RT3C99M	
Unit Name : Keyboard Unit	Q 353 (B,164,132) Transistor	RT3C99M	
Unit Number: CWX3514	Q 650 (A,7,69) Transistor	2SD2396	
Unit Name : CD Core	Q 651 (B,22,66) Transistor	UMD2N	
Unit(S10.5COMP2)	Q 701 (A,120,120) Transistor	2SA2060	
Unit Number: CWM8758	Q 702 (A,125,125) Transistor	2SA1162	
Unit Name : Panel Unit	Q 703 (A,122,130) Transistor	2SA2060	
	Q 705 (B,110,110) Transistor	2SC4081	
	Q 706 (B,134,83) Transistor	RT1N241M	
	Q 707 (A,138,92) Transistor	RT1N241M	
	Q 801 (A,103,29) Transistor	RT1N431M	
	Q 819 (A,112,25) Transistor	2SA1576A	
	Q 820 (A,112,31) Transistor	RT1N141M-11	
	Q 821 (A,34,41) Transistor	2SD1767	
	Q 822 (B,72,19) Transistor	UMD2N	
	Q 831 (B,97,30) Transistor	2SA1576A	
	Q 832 (B,93,22) Transistor	RT1N141M-11	
	Q 851 (A,18,34) Transistor	2SD1760F5	
	Q 852 (B,32,35) Transistor	UMD2N	
	Q 911 (A,7,103) Transistor	2SD2396	
	Q 912 (B,31,82) Transistor	UMD2N	
	Q 931 (B,49,97) Transistor	RT3CLLM	
	Q 941 (A,115,74) Transistor	RT1N141M-11	
	Q 951 (A,49,98) Transistor	2SA1576A	
	Q 981 (B,25,93) Transistor	2SC4081	
	Q 982 (A,141,102) Transistor	UMD2N	
	D 171 (A,16,129) Diode	HZM6R2ZMWA	
	D 172 (A,10,130) Diode	HZM6R2ZMWA	
	D 201 (A,55,80) Diode	HZS12L(B1)	
	D 202 (A,119,74) Diode	RB706F-40	
	D 301 (A,102,105) Diode	MPG06G-6415G3	
	D 302 (A,99,100) Diode	MPG06G-6415G3	
	D 612 (B,132,50) Diode	MC2850-11	
	D 650 (A,18,70) Diode	MTZJA8R2(B)	
	D 801 (B,104,33) Diode	MC2850-11	
	D 802 (B,114,31) Diode	MC2848-11	
	D 803 (B,126,34) Diode	MC2846-11	
	D 804 (B,121,34) Diode	MC2848-11	
MISCELLANEOUS			
IC 101 (A,44,90) IC	HA12241FP		
IC 171 (A,112,86) IC	NJM2794V		
IC 201 (A,82,91) IC	PML016B		
IC 301 (A,93,135) IC	PAL007C		
IC 420 (A,152,28) IC	NJM2885DL1-33		
IC 601 (A,109,56) IC	PEG274A		
IC 602 (A,84,64) IC	S-80835CNMC-B8U		
IC 641 (A,54,35) IC	NJM2885DL1-33		
IC 701 (A,116,37) IC	TC7SET08FUS1		
IC 702 (A,119,37) IC	TC7SH08FUS1		
IC 703 (A,125,79) IC	TC4066BFT		
IC 704 (A,131,65) IC	NJM2794V		
IC 851 (B,40,20) IC	NJM2360M		
IC 901 (A,7,122) IC	NJM2388F84		
Q 101 (B,42,106) Transistor	2SA1576A		
Q 102 (B,37,104) Transistor	RT1N141M-11		
Q 201 (A,48,75) Transistor	2SC4081		

<u>Circuit Symbol and No.</u>		<u>Part No.</u>	<u>Circuit Symbol and No.</u>		<u>Part No.</u>
D 805	(B,109,31) Diode	MC2846-11	R 209	(A,109,74)	RS1/16S221J
D 821	(A,78,14) Diode	HZS9L(B2)	R 210	(A,72,96)	RS1/16S221J
			R 212	(A,52,75)	RS1/16S152J
D 852	(B,49,18) Diode	RB411D			
D 853	(A,24,29) Diode	MTZJA10(B)	R 213	(A,73,93)	RAB4C102J
D 854	(A,89,43) Diode	MC2848-11	R 301	(A,146,89)	RS1/16S103J
D 901	(A,66,119) Diode	MPG06G-6415G3	R 302	(A,140,95)	RS1/16S331J
D 902	(A,70,116) Diode	MPG06G-6415G3	R 303	(A,144,89)	RS1/16S103J
			R 304	(A,151,105)	RS1/16S153J
D 911	(A,15,86) Diode	MPG06G-6415G3			
D 912	(A,19,82) Diode	HZS6L(B1)	R 305	(B,90,92)	RS1/16S682J
D 931	(A,55,103) Diode	HZS7L(A1)	R 306	(B,102,96)	RS1/16S682J
D 932	(A,49,103) Diode	HZS7L(C3)	R 307	(B,104,89)	RS1/16S682J
D 942	(A,138,75) Diode	1SS133	R 308	(B,103,93)	RS1/16S682J
			R 309	(B,97,91)	RS1/16S123J
D 951	(A,45,95) Diode	MC2848-11			
D 981	(A,20,90) Diode	HZS9L(A2)	R 310	(B,103,91)	RS1/16S123J
D 982	(A,97,70) Diode	MC2848-11	R 311	(B,107,95)	RS1/16S123J
D 984	(A,138,79) Diode	1SS133	R 312	(B,108,92)	RS1/16S123J
L 101	(A,14,78) Inductor	LAU2R2K	R 351	(B,138,113)	RS1/16S390J
			R 352	(A,137,125)	RS1/16S472J
L 201	(A,66,78) Ferri-Inductor	LAU4R7K			
L 202	(A,58,95) Ferri-Inductor	LAU100K	R 353	(A,139,127)	RS1/16S472J
L 401	(A,154,51) Inductor	LAU1R0K	R 354	(B,161,136)	RS1/16S223J
L 402	(A,149,93) Inductor	LAU1R0K	R 355	(A,143,129)	RS1/16S223J
L 403	(B,156,98) Chip Coil	LCTAW4R7J2520	R 358	(A,133,129)	RS1/16S390J
			R 359	(A,145,124)	RS1/16S390J
L 601	(A,78,57) Ferri-Inductor	LAU100K			
L 701	(A,115,32) Inductor	CTF1382	R 360	(B,143,125)	RS1/16S472J
L 831	(A,103,24) Ferri-Inductor	LAU100K	R 361	(A,142,124)	RS1/16S223J
L 851	(A,44,17) Inductor	CTF1660	R 363	(B,134,129)	RS1/16S472J
L 901	(A,32,109) Choke Coil 600 μ H	CTH1280	R 364	(B,128,132)	RS1/16S223J
			R 366	(B,132,129)	RS1/16S390J
L 951	(A,59,103) Inductor	LAU2R2K			
X 601	(A,94,58) Crystal 20.00 MHz	VSS1167	R 367	(B,163,124)	RS1/16S390J
S 802	(A,23,11) Switch(DSENS)	CSN1039	R 368	(B,168,127)	RS1/16S472J
Δ FU352	(B,128,136) Fuse 3 A	CEK1286	R 369	(A,157,127)	RS1/16S223J
TU401	(A,162,103) FM/AM Tuner Unit	CWE1952	R 371	(B,159,124)	RS1/16S390J
			R 372	(B,164,127)	RS1/16S472J
BZ621	(A,137,25) Buzzer	CPV1062			
AR401	(B,161,113) Surge Protector	IMS A-6801-01Y901	R 373	(B,164,136)	RS1/16S223J
Δ	Fuse 10 A	CEK1208	R 401	(B,154,66)	RS1/16S0R0J
			R 403	(B,160,72)	RS1/16S681J
			R 404	(B,114,49)	RS1/16S681J
			R 406	(B,157,82)	RS1/16S681J

RESISTORS

R 101	(B,38,137)	RS1/16S101J			
R 102	(B,38,135)	RS1/16S620J	R 407	(B,118,52)	RS1/16S681J
R 103	(B,39,130)	RS1/16S101J	R 408	(B,157,85)	RS1/16S681J
R 104	(A,38,87)	RS1/16S102J	R 409	(B,157,87)	RS1/16S681J
R 105	(A,50,89)	RS1/16S472J	R 411	(B,158,89)	RS1/16S681J
			R 413	(B,157,91)	RS1/16S681J
R 106	(A,51,91)	RS1/16S472J			
R 107	(B,28,135)	RS1/16S181J	R 424	(B,117,54)	RS1/16S681J
R 108	(B,26,132)	RS1/16S223J	R 601	(B,113,64)	RS1/16S104J
R 109	(B,37,106)	RS1/16S222J	R 605	(B,114,59)	RS1/16S104J
R 110	(B,30,122)	RS1/16S181J	R 606	(A,91,65)	RS1/16S104J
			R 607	(B,82,58)	RS1/16S822J
R 111	(B,28,122)	RS1/16S223J			
R 112	(B,26,123)	RS1/16S102J	R 608	(B,101,59)	RS1/16S102J
R 113	(B,29,138)	RS1/16S102J	R 609	(A,96,42)	RS1/16S102J
R 114	(B,45,109)	RS1/16S223J	R 610	(A,91,63)	RS1/16S471J
R 115	(B,40,109)	RS1/16S472J	R 611	(B,102,54)	RS1/16S473J
			R 612	(B,120,120)	RS1/16S682J
R 161	(A,74,58)	RS1/16S102J			
R 162	(A,73,64)	RS1/16S102J	R 613	(B,123,124)	RS1/16S152J
R 163	(A,74,56)	RS1/16S103J	R 614	(A,91,66)	RS1/16S0R0J
R 164	(A,76,64)	RS1/16S103J	R 621	(B,102,40)	RS1/16S102J
R 172	(A,111,93)	RS1/16S223J	R 631	(A,131,49)	RS1/16S104J
			R 640	(A,74,35)	RS1/16S104J
R 175	(A,103,91)	RS1/16S223J			
R 203	(B,36,38)	RS1/16S0R0J	R 642	(A,71,39)	RS1/16S682J
			R 643	(A,104,41)	RS1/16S221J

Circuit Symbol and No.**Part No.****Circuit Symbol and No.****Part No.**

R 645 (A,85,69) RS1/16S221J
 R 646 (B,71,36) RS1/16S221J
 R 647 (A,71,35) RS1/16S221J

R 850 (A,28,37)
 R 852 (A,33,26)
 R 857 (B,38,25)

RD1/4PU681J
 RS1/16S1R0J
 RS1/16S391J

A

R 649 (B,71,34) RS1/16S104J
 R 651 (A,18,64) RD1/4PU561J
 R 653 (A,71,30) RS1/16S221J
 R 654 (A,74,32) RS1/16S104J
 R 666 (B,86,41) RS1/16S104J

R 858 (A,38,29)
 R 859 (B,38,27)
 R 860 (B,33,24)
 R 901 (B,21,99)
 R 902 (B,20,100)

RD1/4PU272J
 RS1/16S391J
 RS1/16S391J
 RS1/16S102J
 RS1/16S103J

R 673 (B,88,41) RS1/16S682J
 R 701 (A,117,42) RS1/16S102J
 R 702 (A,107,42) RS1/16S102J
 R 705 (A,124,121) RS1/16S103J
 R 706 (A,122,116) RS1/16S102J

R 912 (B,34,81)
 R 913 (B,12,81)
 R 914 (A,45,66)
 R 915 (A,41,64)
 R 916 (A,112,71)

RS1/16S222J
 RS1/16S223J
 RS1/16S104J
 RS1/16S104J
 RS1/16S104J

B

R 707 (A,128,115) RS2PMFR47J
 R 708 (A,121,125) RS1/16S103J
 R 709 (A,106,99) RD1/4PU102J
 R 710 (A,108,99) RD1/4PU102J
 R 711 (A,139,87) RS1/16S104J

R 918 (B,11,107)
 R 931 (A,52,103)
 R 932 (B,47,106)
 R 933 (B,50,100)
 R 934 (B,53,99)

RS1/16S391J
 RD1/4PU102J
 RS1/16S472J
 RS1/16S473J
 RS1/16S103J

R 712 (A,133,95) RS1/16S514J
 R 713 (A,135,94) RS1/16S393J
 R 714 (A,135,90) RS1/16S104J
 R 716 (A,134,88) RS1/16S102J
 R 717 (A,133,93) RS1/16S472J

R 935 (B,42,104)
 R 936 (B,45,102)
 R 941 (A,64,103)
 R 942 (B,141,73)
 R 951 (A,62,103)

RS1/16S473J
 RS1/16S104J
 RD1/4PU102J
 RS1/16S103J
 RD1/4PU153J

C

R 718 (A,135,46) RS1/16S472J
 R 720 (A,120,40) RS1/16S102J
 R 721 (A,125,33) RS1/16S102J
 R 722 (A,125,35) RS1/16S104J
 R 723 (A,111,102) RD1/4PU102J

R 952 (A,46,98)
 R 953 (A,51,94)
 R 954 (A,52,97)
 R 981 (B,22,96)
 R 982 (B,22,93)

RS1/16S472J
 RS1/16S472J
 RS1/16S102J
 RS1/16S683J
 RS1/16S683J

R 724 (A,117,131) RS1/16S103J
 R 725 (A,114,102) RD1/4PU102J
 R 726 (B,110,113) RS1/16S103J
 R 728 (B,114,110) RS1/16S103J
 R 731 (A,135,77) RS1/16S223J

R 983 (B,24,87)
 R 984 (A,142,95)

RS1/16S223J
 RS1/16S102J

CAPACITORS

R 734 (A,132,75) RS1/16S223J
 R 801 (B,102,38) RS1/16S473J
 R 802 (A,66,16) RS1/16S104J
 R 803 (A,66,14) RS1/16S102J
 R 804 (A,126,25) RD1/4PU222J

C 101 (B,33,139)
 C 102 (A,41,86)
 C 103 (A,41,94)
 C 104 (A,44,86)
 C 171 (A,109,93)

CKSRYB104K16
 CKSRYB104K16
 CCSRCH101J50
 CCSRCH101J50
 CKSRYB472K50

D

R 805 (A,129,25) RD1/4PU222J
 R 806 (A,122,25) RD1/4PU222J
 R 807 (A,119,25) RD1/4PU222J
 R 808 (B,114,26) RS1/16S222J
 R 809 (A,106,23) RD1/4PU222J

C 173 (A,103,89)
 C 176 (B,15,140)
 C 180 (A,105,87)
 C 181 (A,120,86)
 C 182 (A,107,90)

CKSRYB472K50
 CKSRYB104K16
 CKSRYB105K10
 CEJQ2R2M50
 CKSRYB105K10

E

R 810 (B,132,27) RS1/16S102J
 R 811 (B,117,35) RS1/16S102J
 R 812 (B,109,34) RS1/16S102J
 R 813 (A,80,18) RS1/16S1R0J
 R 814 (B,111,26) RS1/16S222J

C 183 (A,102,86)
 C 185 (A,105,85)
 C 201 (B,73,92)
 C 202 (A,74,74)
 C 204 (B,75,81)

CKSRYB105K10
 CKSRYB105K10
 CKSRYB474K10
 CKSRYB104K16
 CKSRYB104K16

R 815 (B,113,36) RS1/16S473J
 R 816 (B,112,26) RS1/16S473J
 R 817 (B,104,30) RS1/16S473J
 R 818 (B,134,27) RS1/16S104J
 R 819 (A,109,25) RS1/16S473J

C 205 (B,73,94)
 C 206 (B,63,85)
 C 207 (A,72,84)
 C 208 (A,76,79)
 C 209 (A,62,82)

CKSRYB105K10
 CKSQYB225K10
 CEJQ100M25
 CEJQ470M16
 CEJQ470M16

F

R 820 (A,112,28) RS1/16S472J
 R 821 (A,43,45) RD1/4PU391J
 R 824 (A,83,18) RS1/16S472J
 R 825 (B,46,41) RS1/16S102J
 R 831 (B,94,30) RS1/16S473J

C 210 (A,91,97)
 C 213 (B,86,96)
 C 214 (B,82,96)
 C 215 (B,81,93)
 C 216 (B,81,90)

CKSRYB104K16
 CCSRCH120J50
 CCSRCH120J50
 CCSRCH120J50
 CCSRCH120J50

R 832 (B,96,26) RS1/16S102J
 R 833 (B,101,21) RS1/16S222J

C 217 (B,78,83)
 C 219 (A,66,94)

CKSRYB104K16
 CEJQ1R0M50

<u>Circuit Symbol and No.</u>		<u>Part No.</u>	<u>Circuit Symbol and No.</u>		<u>Part No.</u>
C 220	(A,69,99)	CEJQ4R7M35	C 702	(A,120,33)	CKSRYB473K50
C 221	(A,73,103)	CEJQ4R7M35	C 703	(A,117,125)	CKSYB475K16
C 222	(A,77,103)	CEJQ4R7M35	C 705	(A,136,71)	CKSRYB105K10
C 223	(A,83,103)	CEJQ4R7M35	C 706	(A,133,71)	CKSRYB105K10
C 224	(A,90,103)	CEJQ4R7M35	C 708	(B,140,87)	CKSRYB103K50
C 225	(A,81,79)	CEJQ4R7M35	C 709	(A,129,73)	CKSRYB105K10
C 226	(A,88,79)	CEJQ4R7M35	C 710	(A,131,71)	CKSRYB105K10
C 227	(A,97,78)	CEJQ4R7M35	C 711	(A,127,61)	CKSRYB104K16
C 229	(A,64,88)	CEJQ1R0M50	C 712	(A,123,67)	CEJQ330M10
C 230	(A,81,73)	CEJQ4R7M35	C 716	(A,122,83)	CKSRYB473K50
C 231	(A,89,73)	CEJQ4R7M35	C 717	(A,136,60)	CEJQ2R2M50
C 232	(B,50,84)	CKSRYB103K50	C 821	(B,77,17)	CKSRYB473K50
C 233	(B,55,82)	CKSRYB104K16	C 822	(A,83,16)	CKSRYB473K50
C 234	(A,56,85)	CEJQ470M16	C 852	(B,41,31)	CKSRYB223K50
C 235	(A,96,86)	CEJQ100M25	C 854	(B,45,16)	CCSRCH331J50
C 236	(A,78,108)	CKSRYB105K10	C 855	(B,29,20)	CKSRYB104K16
C 237	(A,76,74)	CKSRYB105K10	C 856	(B,21,33)	CKSRYB104K16
C 240	(A,106,70)	CCSRCH470J50	C 857	(B,19,35)	CKSYB475K16
C 309	(A,136,107)	CEJQ330M10	C 858	(A,57,19)	CEJQ470M25
C 311	(A,126,135)	CKSQYB225K10	C 859	(A,33,20)	CEJQ101M16
C 312	(A,126,132)	CKSQYB225K10	C 860	(A,27,25)	CEJQ470M16
C 313	(A,135,122)	CEJQ100M25	C 901	(A,51,124) 3 300 µF/16 V	CCH1486
C 314	(B,120,127)	CKSRYB474K10	C 902	(B,61,122)	CKSRYB104K16
C 315	(B,115,117)	CKSRYB474K10	C 911	(A,25,74)	CEAT102M16
C 316	(B,121,131)	CKSQYB474K25	C 912	(B,23,83)	CKSRYB472K50
C 317	(B,115,121)	CKSQYB474K25	C 913	(B,33,68)	CKSRYB103K50
C 318	(B,123,128)	CKSRYB474K10	C 914	(A,35,68)	CEJQ470M16
C 319	(B,113,116)	CKSRYB474K10	C 915	(A,37,77)	CEJQ221M16
C 320	(B,123,132)	CKSQYB474K25	C 922	(B,16,117)	CKSRYB103K50
C 321	(B,113,120)	CKSQYB474K25	C 923	(A,16,96)	CEJQ101M16
C 359	(A,141,110)	CEJQ100M25	C 924	(B,29,91)	CKSRYB103K50
C 360	(A,141,117)	CEJQ100M25	C 925	(A,26,84)	CEJQ221M16
C 361	(A,146,117)	CEJQ100M25	C 931	(B,45,106)	CKSRYB104K16
C 362	(A,146,110)	CEJQ100M25	C 941	(A,140,71)	CEJQ1R0M50
C 363	(A,159,120)	CEJQ100M25	C 984	(A,140,83)	CEJQ220M16
C 364	(A,152,120)	CEJQ100M25			
C 402	(B,159,58)	CKSRYB103K50			
C 405	(B,147,96)	CKSRYB103K50			
C 406	(A,149,99)	CEJQ101M16			
C 408	(B,159,61)	CKSRYB103K50			
C 415	(A,155,57)	CEJQ470M6R3			
C 420	(A,151,41)	CEJQ470M6R3			
C 422	(A,141,36)	CEJQ1R0M50			
C 430	(B,111,54)	CCSRCH470J50			
C 601	(B,85,52)	CKSRYB105K10			
C 602	(A,88,53)	CEJQ4R7M35			
C 603	(B,101,57)	CCSRCH101J50			
C 604	(A,83,55)	CEJQ2R2M50			
C 605	(B,91,57)	CCSRCH100D50			
C 606	(B,96,54)	CCSRCH100D50			
C 608	(A,109,72)	CKSRYB102K50			
C 650	(B,14,73)	CKSRYB473K50			
C 651	(B,55,43)	CKSRYB104K16			
C 659	(A,50,43)	CEJQ101M16			
C 660	(B,50,33)	CKSRYB105K10			
C 661	(B,69,47)	CKSRYB103K50			
C 662	(A,49,27)	CEJQ470M6R3			
C 663	(A,72,48)	CEJQ4R7M35			
C 667	(B,65,64)	CKSRYB105K10			
C 701	(A,118,33)	CKSRYB473K50			

B**Unit Number :****Unit Name : Keyboard Unit****MISCELLANEOUS**

IC 1811	(A,5,59) IC	GP1UX31RK
IC 1831	(B,13,50) IC	S-1200B33-M5
IC 1841	(B,21,71) IC	PEG272A
IC 1871	(B,20,104) IC(P590IB)	PD8169A
	(B,20,104) IC(P5900IB)	PD8168A
Q 1811	(B,38,34) Transistor	RT1N237M
Q 1812	(B,34,110) Transistor	RT1N237M
Q 1881	(A,22,138) Transistor	2SC4617
Q 1882	(A,19,137) Transistor	2SC2411K
D 1811	(A,8,10) LED	SML412BC5T(NP)
D 1812	(A,34,10) LED	SML412BC5T(NP)
D 1813	(A,22,22) LED	SML412BC5T(NP)
D 1814	(A,4,40) LED	SML412BC5T(NP)
D 1815	(A,22,57) LED	SML412BC5T(NP)
D 1816	(A,38,40) LED	SML412BC5T(NP)
D 1817	(A,40,103) LED	SML412BC5T(NP)
D 1818	(A,40,82) LED	SML412BC5T(NP)
D 1819	(A,40,131) LED	SML412BC5T(NP)

Circuit Symbol and No.**Part No.****Circuit Symbol and No.****Part No.**

D	1820	(A,40,117) LED	SML412BC5T(NP)
D	1821	(A,6,158) LED	SML412BC5T(NP)
A	D 1822	(A,40,144) LED	SML412BC5T(NP)
D	1831	(B,26,50) Diode	1SS355
L	1831	(A,29,62) Inductor	CTF1617
L	1881	(A,23,130) Inductor	CTF1617
L	1882	(A,28,115) Inductor	CTF1617
TH	1881	(A,26,138) Thermistor	CCX1037
X	1841	(B,22,55) Ceramic Resonator 16.000 MHz	CSS1616
S	1803	(A,5,9) Push Switch	CSG1155
S	1804	(A,39,107) Push Switch	CSG1155
S	1805	(A,39,148) Push Switch	CSG1155
S	1806	(A,39,78) Push Switch	CSG1155
B	S 1807	(A,39,120) Push Switch	CSG1155
S	1808	(A,39,134) Push Switch	CSG1155
S	1809	(A,37,9) Push Switch	CSG1155
S	1810	(A,21,39) Switch(MULTI-CONTROL)	CSX1120

R	1853	(B,8,68)	RAB4C473J
R	1855	(A,29,69)	RS1/16S101J
R	1856	(A,26,69)	RS1/16S101J
R	1857	(B,18,58)	RS1/16S101J
R	1858	(B,19,55)	RS1/16S473J
R	1859	(B,26,55)	RS1/16S154J
R	1860	(B,35,52)	RS1/16S104J
R	1863	(B,7,132)	RS1/16S103J
R	1881	(A,20,134)	RS1/16S183J
R	1882	(A,24,138)	RS1/16S563J
R	1883	(A,25,142)	RS1/16S333J
R	1884	(A,23,142)	RS1/16S392J
R	1885	(A,26,110)	RAB4C102J
R	1887	(B,17,117)	RS1/16S0R0J
R	1889	(B,18,117)	RS1/16S5101D

CAPACITORS

C	1805	(B,8,53)	CKSYF106Z10
C	1806	(B,31,130)	CKSRYB104K16
C	1811	(A,13,11)	CKSRYF104Z50
C	1812	(A,31,9)	CKSRYF104Z50
C	1813	(A,22,20)	CKSRYF104Z50
C	1814	(A,4,44)	CKSRYF104Z50
C	1815	(A,22,58)	CKSRYF104Z50
C	1816	(A,39,44)	CKSRYF104Z50
C	1817	(A,40,97)	CKSRYF104Z50
C	1818	(A,40,84)	CKSRYF104Z50
C	1819	(A,40,126)	CKSRYF104Z50
C	1820	(A,40,112)	CKSRYF104Z50
C	1821	(A,13,152)	CKSRYF104Z50
C	1822	(A,40,139)	CKSRYF104Z50
C	1831	(B,13,53)	CKSRYB224K10
C	1832	(B,11,46)	CKSRYB224K10
C	1833	(A,36,60)	CKSRYB103K50
C	1837	(B,30,48)	CKSRYB104K16
C	1871	(B,10,105)	CKSRYB103K50
C	1882	(A,27,134)	CKSRYB104K25
C	1883	(A,24,134)	CKSRYB104K25
C	1884	(A,23,104)	CKSRYB104K25
C	1885	(A,27,119)	CKSRYB104K25
C	1886	(A,24,119)	CKSRYB104K25
C	1887	(A,22,134)	CKSRYB104K25

C

Unit Number : CWX3514

Unit Name : CD Core

Unit(S10.5COMP2)

MISCELLANEOUS

IC	201	(A,34,46) IC	PE5547A
IC	301	(A,27,14) IC	BA5839FP
Q	101	(B,56,72) Transistor	2SA1577
Q	102	(B,47,57) Transistor	2SB1689
X	201	(A,23,35) Ceramic Resonator 16.934 MHz	CSS1603
S	901	(A,53,37) Switch(HOME)	CSN1067
S	903	(B,19,58) Switch(DSCSNS)	CSN1067
S	904	(B,38,67) Switch(12EJ)	CSN1068
S	905	(B,24,68) Switch(8EJ)	CSN1068

RESISTORS**RESISTORS**

R	1801	(B,8,138)	RS1/16S222J
R	1802	(B,12,150)	RS1/16S222J
R	1803	(B,31,132)	RS1/16S473J
R	1808	(B,27,22)	RS1/16S332J
R	1809	(B,29,22)	RS1/16S103J
C	R 1810	(B,31,22)	RS1/16S333J
R	1811	(B,8,42)	RS1/16S103J
R	1812	(B,24,22)	RS1/16S222J
R	1813	(B,21,22)	RS1/16S103J
R	1814	(B,10,50)	RS1/16S101J
R	1815	(B,8,50)	RS1/16S103J
R	1816	(B,6,50)	RS1/16S2R2J
R	1817	(B,35,33)	RS1/16S271J
R	1818	(B,32,37)	RS1/16S271J
R	1819	(B,34,37)	RS1/16S271J
D	R 1820	(B,35,119)	RS1/16S271J
R	1821	(B,35,121)	RS1/16S271J
R	1822	(B,35,118)	RS1/16S271J
R	1823	(B,33,34)	RS1/16S121J
R	1825	(B,35,116)	RS1/16S121J
R	1833	(A,31,56)	RS1/16S222J
R	1834	(B,36,65)	RS1/16S101J
R	1835	(A,28,69)	RS1/16S101J
R	1836	(B,34,65)	RS1/16S101J
R	1837	(B,38,65)	RS1/16S101J
E	R 1838	(A,27,94)	RAB4C101J
R	1839	(A,11,84)	RAB4C101J
R	1840	(B,29,85)	RAB4C101J
R	1841	(A,23,94)	RAB4C101J
R	1842	(B,25,90)	RAB4C101J
R	1843	(B,21,90)	RAB4C101J
R	1844	(B,16,88)	RAB4C101J
R	1845	(B,12,88)	RAB4C101J
R	1846	(B,9,88)	RS1/16S101J
R	1847	(B,10,83)	RS1/16S101J
R	1848	(A,26,104)	RS1/16S101J
R	1849	(B,8,83)	RS1/16S101J
F	R 1850	(B,10,109)	RS1/16S101J
R	1851	(B,8,65)	RS1/16S473J
R	1852	(B,4,68)	RS1/16S473J

Circuit Symbol and No.**Part No.****Circuit Symbol and No.****Part No.**

R 101	(B,60,73)	RS1/10SR2R4J
R 102	(B,59,71)	RS1/10SR2R4J
R 103	(B,60,71)	RS1/10SR2R7J
R 104	(B,52,69)	RS1/16SS222J
R 105	(B,41,57)	RS1/16SS102J
R 107	(B,41,59)	RS1/16SS105J
R 202	(B,32,62)	RS1/16SS473J
R 203	(B,42,45)	RS1/16S473J
R 204	(A,25,61)	RS1/16SS221J
R 206	(B,26,53)	RS1/16SS104J
R 210	(B,13,32)	RS1/16SS102J
R 214	(B,36,34)	RS1/16SS472J
R 216	(B,47,49)	RS1/16SS472J
R 221	(B,36,32)	RS1/16SS103J
R 222	(B,35,32)	RS1/16SS103J
R 225	(A,49,49)	RS1/16SS103J
R 226	(A,49,50)	RS1/16SS393J
R 227	(B,45,51)	RS1/16SS562J
R 228	(B,42,53)	RS1/16SS122J
R 229	(B,44,53)	RS1/16SS472J
R 230	(B,21,28)	RS1/16SS0R0J
R 232	(B,43,51)	RS1/16SS122J
R 233	(B,29,52)	RS1/16SS103J
R 234	(B,30,61)	RS1/16SS473J
R 235	(A,25,63)	RS1/16SS473J
R 239	(B,26,48)	RS1/16SS473J
R 240	(B,10,31)	RS1/16SS473J
R 241	(B,9,32)	RS1/16SS103J
R 244	(A,20,52)	RS1/16SS473J
R 255	(A,27,63)	RAB4CQ104J
R 307	(A,34,19)	RS1/16SS183J
R 308	(A,38,20)	RS1/16SS183J
R 309	(A,35,21)	RS1/16SS183J
R 310	(A,38,21)	RS1/16SS183J
R 601	(B,28,38)	RS1/16SS0R0J
R 602	(B,27,41)	RS1/16SS0R0J
R 606	(B,23,41)	RS1/16SS0R0J
R 701	(B,16,35)	RS1/16SS221J
R 702	(A,23,55)	RS1/16SS221J

CAPACITORS

C 106	(B,56,69)	CKSQYB475K6R3
C 202	(A,27,57)	CKSSYB104K10
C 204	(A,24,63)	CKSSYB103K16
C 205	(B,23,43)	CKSQYB475K6R3
C 206	(A,22,39)	CKSSYB104K10
C 207	(A,24,37)	CKSRYB104K16
C 209	(B,33,40)	CEVW220M6R3
C 210	(B,29,42)	CKSSYB104K10
C 211	(A,27,34)	CKSSYB104K10
C 212	(B,29,32)	CKSRYB104K16
C 213	(A,44,37)	CKSSYB104K10
C 214	(A,28,33)	CKSSYB104K10
C 216	(A,50,51)	CKSSYB332K50
C 217	(A,46,51)	CKSSYB104K10
C 218	(A,49,51)	CKSSYB473K10
C 219	(A,45,53)	CKSSYB104K10
C 220	(A,46,53)	CKSSYB182K50

C 221	(A,44,53)	CKSSYB104K10
C 222	(B,43,53)	CCSSCH560J50
C 223	(B,45,53)	CCSSCH4R0C50
C 224	(A,43,55)	CKSSYB104K10
C 226	(A,40,58)	CCSSCH680J50
C 227	(A,40,60)	CCSSCH470J50
C 228	(A,39,62)	CKSSYB103K16
C 229	(B,49,59)	CKSSYB104K10
C 236	(A,42,61)	CKSSYB104K10
C 239	(B,44,51)	CCSSCH220J50
C 240	(A,35,61)	CKSSYB104K10
C 250	(B,36,30)	CKSSYB102K50
C 251	(B,33,29)	CKSSYB102K50
C 303	(A,35,19)	CKSSYB472K25
C 304	(A,34,21)	CKSSYB223K16
C 307	(B,25,9)	CKSRYB104K16
C 308	(B,10,27)	CKSRYB105K10
C 703	(B,11,37)	CCSSCH101J50
C 704	(B,8,36)	CKSSYB102K50
C 711	(A,25,26)	CKSSYB104K10

D**Unit Number : CWM8758****Unit Name : Panel Unit****MISCELLANEOUS**

D 1970	LED	CL220PGC
S 1970	Push Switch(EJECT)	CSG1112

RESISTORS

R 1970	RS1/16S101J
R 1971	RS1/16S101J
R 1972	RS1/16S0R0J

CAPACITORS

C 1970	CKSRYB104K16
--------	--------------

Miscellaneous Parts List

M 1	Pickup Unit(P10.5)(Service)	CXX1942
M 1	Motor Unit(SPINNLE)	CXC7134
M 2	Motor Unit(LOADING/CARRIAGE)	CXC4026