

2. EXPLODED VIEWS AND PARTS LIST

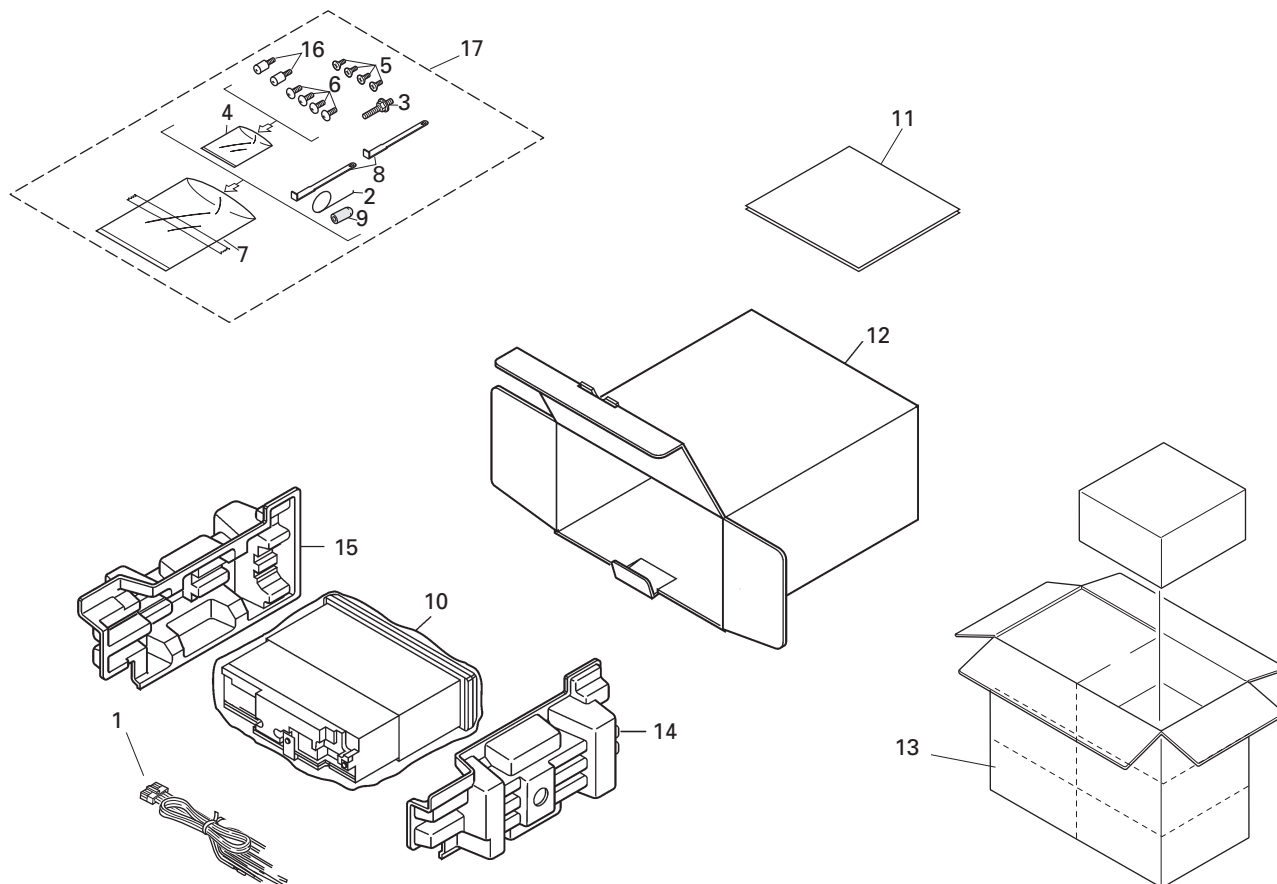
NOTES : • Parts marked by "*" are generally unavailable because they are not in our Master Spare Parts List.

• Screw adjacent to ▽ mark on the product are used for disassembly.

• For the applying amount of lubricants or glue, follow the instructions in this manual.

(In the case of no amount instructions, apply as you think it appropriate.)

2.1 PACKING



(1) PACKING SECTION PARTS LIST

Mark No.	Description	Part No.	Mark No.	Description	Part No.
1	Cord Assy	CDE7060	11-1	Owner's Manual	See Contrast table(2)
2	Spring	CBH1650	11-2	Installation Manual	See Contrast table(2)
3	Screw	CBA1650	*	11-3 Card	ARY1048
*	4 Polyethylene Bag	CEG-127	11-4	Caution Card	See Contrast table(2)
5	Screw	CRZ50P090FTC	12	Carton	See Contrast table(2)
6	Screw	TRZ50P080FTC	13	Contain Box	See Contrast table(2)
*	7 Polyethylene Bag	CEG-158	14	Protector	CHP2663
8	Handle	CNC5395	15	Protector	CHP2664
9	Bush	CNV3930	16	Fixing Screw(M2x4)	CBA1488
10	Polyethylene Bag	CEG1173	17	Accessory Assy	CEA3438

(2) CONTRAST TABLE

DEH-1600/XU/UC, DEH-16/XU/UC and DEH-6/XU/UC are constructed the same except for the following:

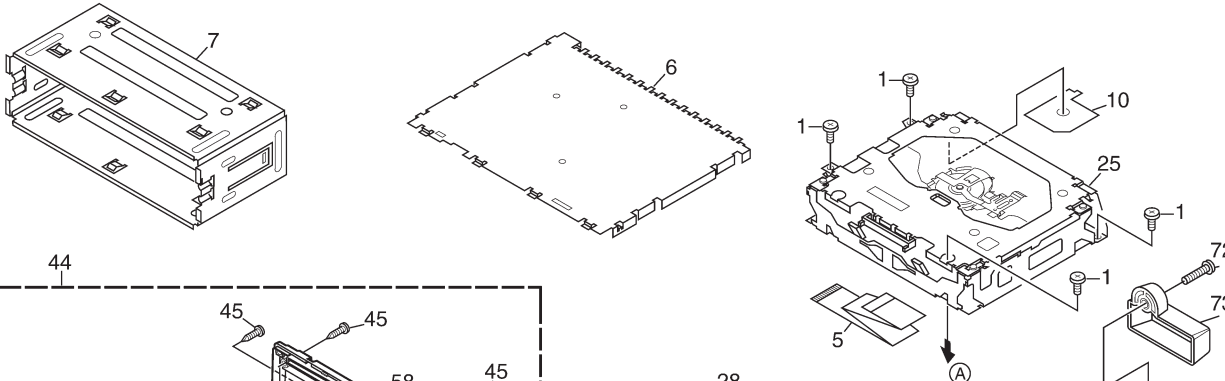
Mark	NO	Description	DEH-1600/XU/UC	DEH-16/XU/UC	DEH-6/XU/UC
*	11-1	Owner's Manual	YRD5003	YRD5003	YRD5004
	11-2	Installation Manual	YRD5008	YRD5008	YRD5009
	11-4	Caution Card	Not used	CRP1294	CRP1294
	12	Carton	YHG5004	YHG5005	YHG5006
	13	Contain Box	YHL5004	YHL5005	YHL5006

● **Owner's Manual, Installation Manual**

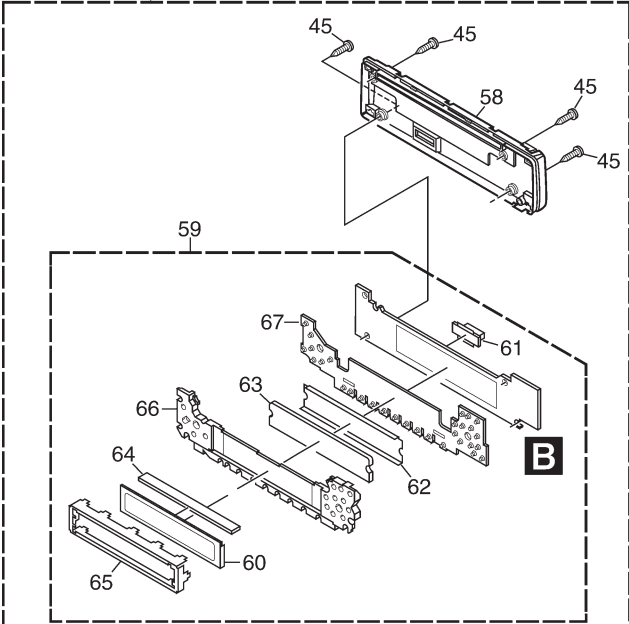
Model	Part No.	Language
DEH-1600/XU/UC	YRD5003	English, French, Spanish
DEH-16/XU/UC	YRD5008	English, French, Spanish
DEH-6/XU/UC	YRD5004	English, French, Spanish
	YRD5009	English, French, Spanish

2.2 EXTERIOR(DEH-1600/XU/UC, DEH-16/XU/UC)

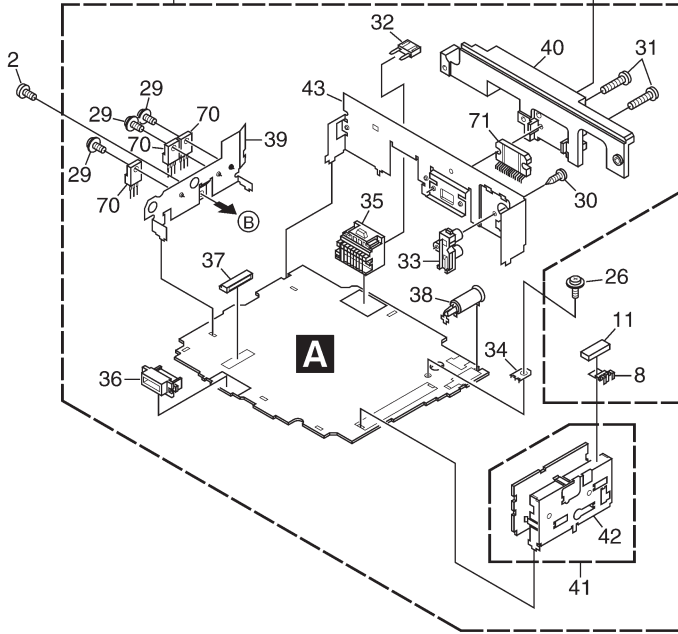
A



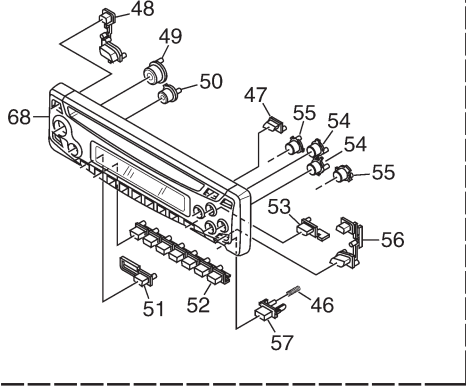
B



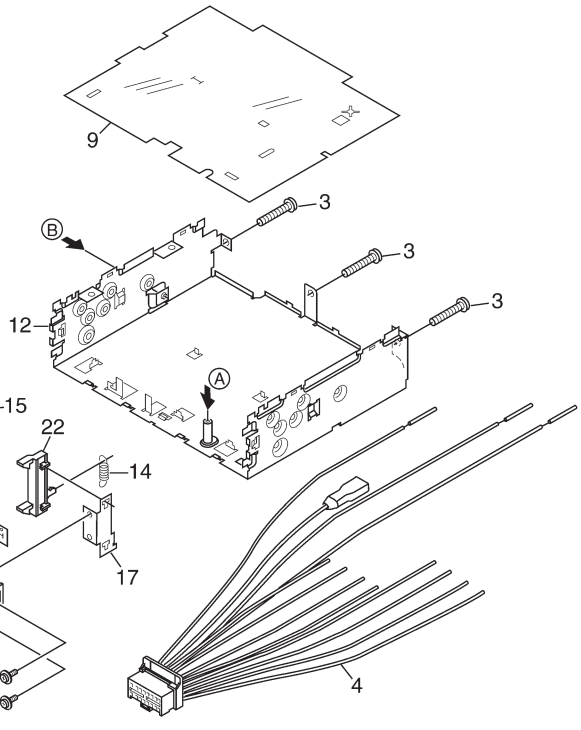
C



D



E



F

(1) EXTERIOR(DEH-1600/XU/UC, DEH-16/XU/UC) SECTION PARTS LIST

<u>Mark No.</u>	<u>Description</u>	<u>Part No.</u>	<u>Mark No.</u>	<u>Description</u>	<u>Part No.</u>
1	Screw	BSZ26P060FTC	38	Antenna Jack(CN401)	CKX1056
2	Screw	BSZ30P060FTC	39	Holder	CND1328
3	Screw	BSZ30P200FTC	40	Heat Sink	CNR1668
4	Cord Assy	CDE7060			
5	Cable	CDE7113	41	FM/AM Tuner Unit	CWE1646
			42	Holder	CND1054
6	Case	CNB2793	43	Holder	YNC5004
7	Holder	CNC8659	44	Detach Grille Assy	See Contrast table(2)
8	Earth Plate	CNC8915	45	Screw	BPZ20P100FZK
9	Insulator	CNM8059			
10	Insulator	CNM8174	46	Spring	CBH2210
			47	Button(CD EJECT)	YAC5001
11	Cushion	CNM8890	48	Button(CLOCK, EQ)	YAC5004
12	Chassis Unit	CXB9542	49	Button(UP)	YAC5005
13	Button	CAC4836	50	Button(DOWN)	YAC5008
14	Spring	CBH1835			
15	Spring	CBH2208	51	Button(SRC)	YAC5011
			52	Button(1-6)	YAC5012
16	Spring	CBH2367	53	Button(LOUD)	YAC5014
17	Bracket	CNC6791	54	Button(UP, DOWN)	YAC5015
18	Holder	CNC8042	55	Button(LEFT, RIGHT)	YAC5018
19	Cover	CNM6276			
20	Panel	CNS7238	56	Button(A, BAND)	YAC5021
			57	Button(DETACH)	YAC5023
21	Arm	CNV4692	58	Cover	YNS5021
22	Arm	CNV4728	59	Keyboard Unit	See Contrast table(2)
23	Arm	CNV5576	60	LCD(LCD1801)	See Contrast table(2)
24	Screw	IMS20P030FZK			
25	CD Mechanism Module(S10.1)	CXK5602	61	Connector(CN1801)	CKS3580
			62	Sheet	CNM7932
26	Screw	ISS26P055FTC	63	Lens	CNV7060
27	Panel	YNS5029	64	Connector	CNV7369
28	Tuner Amp Unit	See Contrast table(2)	65	Holder	YNC5001
29	Screw	ASZ26P060FTC			
30	Screw	BPZ26P080FTC	66	Lighting Conductor	YNV5001
			67	Rubber	YNV5003
31	Screw	BSZ26P160FTC	68	Grille Unit	See Contrast table(2)
32	Fuse(10A)	CEK1208	69	
33	Pin Jack(CN352)	CKB1057	70	Transistor(Q911, 921, 991)	2SD2396
34	Terminal(CN402)	CKF1059			
35	Plug(CN901)	CKM1376	71	IC(IC302)	PAL007A
			72	Screw	See Contrast table(2)
36	Connector(CN831)	CKS3581	73	Holder	See Contrast table(2)
37	Connector(CN651)	CKS3835			

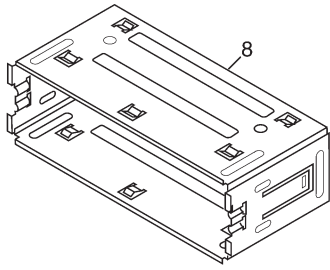
(2) CONTRAST TABLE

DEH-1600/XU/UC and DEH-16/XU/UC are constructed the same except for the following:

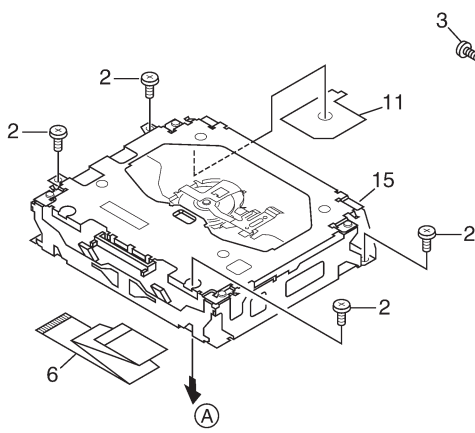
Mark	NO	Description	DEH-1600/XU/UC	DEH-16/XU/UC
	28	Tuner Amp Unit	YWM5005	YWM5013
	44	Detach Grille Assy	YXA5018	YXA5030
	59	Keyboard Unit	YWM5006	YWM5014
	60	LCD(LCD1801)	CAW1802	YAW5012
	68	Grille Unit	YXA5004	YXA5007
	72	Screw	Not used	BMZ40P140FTC
	73	Holder	Not used	CNV7619

2.3 EXTERIOR(DEH-6/XU/UC)

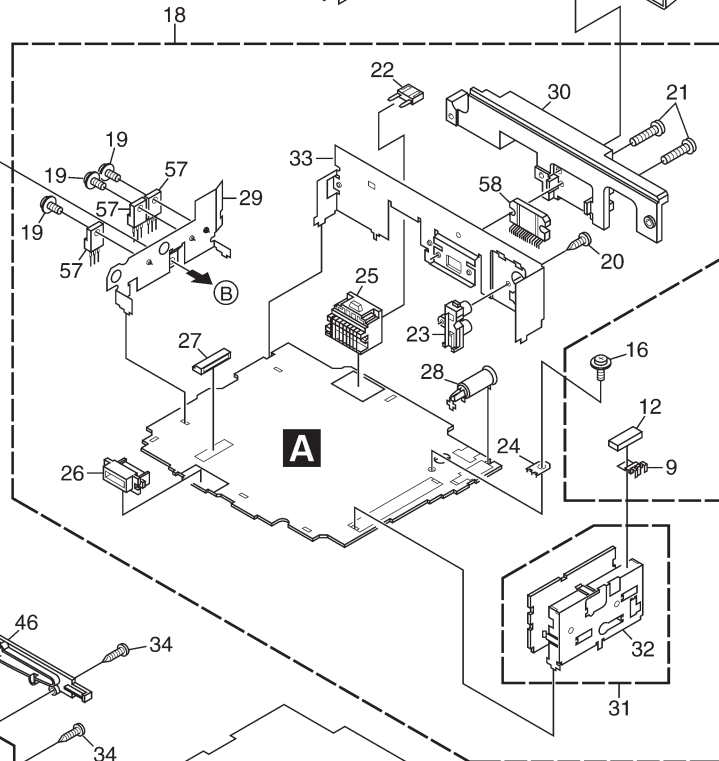
A



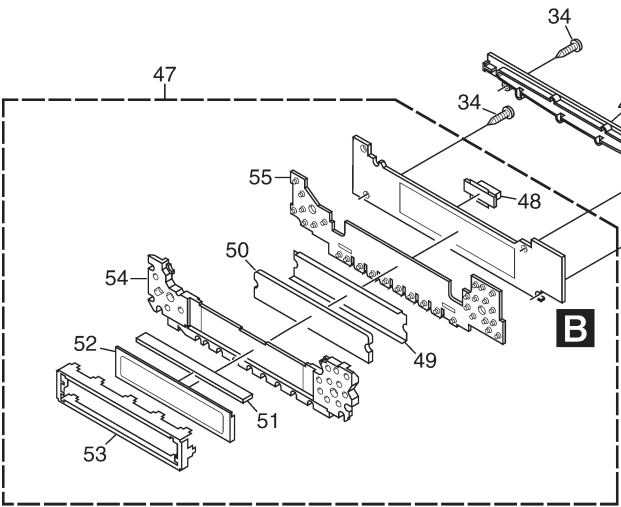
B



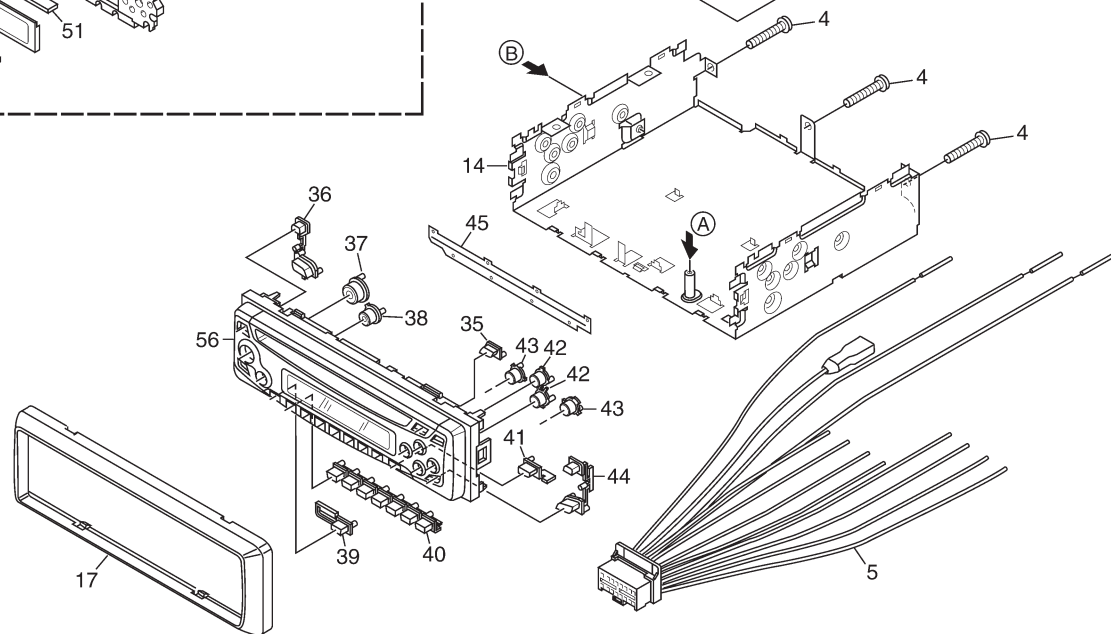
C



D



E



F

EXTERIOR(DEH-6/XU/UC) SECTION PARTS LIST

<u>Mark No.</u>	<u>Description</u>	<u>Part No.</u>	<u>Mark No.</u>	<u>Description</u>	<u>Part No.</u>	
1	Screw	BMZ40P140FTC				
2	Screw	BSZ26P060FTC	51	Connector	CNV7369	A
3	Screw	BSZ30P060FTC	52	LCD(LCD1801)	YAW5001	
4	Screw	BSZ30P200FTC	53	Holder	YNC5001	
5	Cord Assy	CDE7060	54	Lighting Conductor	YNV5001	
			55	Rubber	YNV5003	
6	Cable	CDE7113				
7	Case	CNB2793	56	Grille Unit	YXA5006	
8	Holder	CNC8659	57	Transistor(Q911, 921, 991)	2SD2396	
9	Earth Plate	CNC8915	58	IC(IC302)	TDA7384	
10	Insulator	CNM8059				
11	Insulator	CNM8174				B
12	Cushion	CNM8890				
13	Holder	CNV7619				
14	Chassis Unit	CXB9542				
15	CD Mechanism Module(S10.1)	CXK5602				
16	Screw	ISS26P055FTC				
17	Panel	YNS5022				
18	Tuner Amp Unit	YWM5015				
19	Screw	ASZ26P060FTC				
20	Screw	BPZ26P080FTC				C
21	Screw	BSZ26P160FTC				
22	Fuse(10A)	CEK1208				
23	Pin Jack(CN352)	CKB1057				
24	Terminal(CN402)	CKF1059				
25	Plug(CN901)	CKM1376				
26	Connector(CN831)	CKS3581				
27	Connector(CN651)	CKS3835				
28	Antenna Jack(CN401)	CKX1056				
29	Holder	CND1328				D
30	Heat Sink	CNR1668				
31	FM/AM Tuner Unit	CWE1646				
32	Holder	CND1054				
33	Holder	YNC5004				
34	Screw	BPZ20P080FTC				
35	Button(CD EJECT)	YAC5001				
36	Button(CLOCK, BTB)	YAC5002				
37	Button(UP)	YAC5006				
38	Button(DOWN)	YAC5009				E
39	Button(SRC)	YAC5011				
40	Button(1-6)	YAC5012				
41	Button(LOUD)	YAC5014				
42	Button(UP, DOWN)	YAC5016				
43	Button(LEFT, RIGHT)	YAC5019				
44	Button(A, BAND)	YAC5021				
45	Cover	YNM5002				
46	Holder	YNV5002				
47	Keyboard Unit	YWM5016				F
48	Connector(CN1801)	CKS3580				
49	Sheet	CNM7932				
50	Lens	CNV7060				

2.4 CD MECHANISM MODULE

A

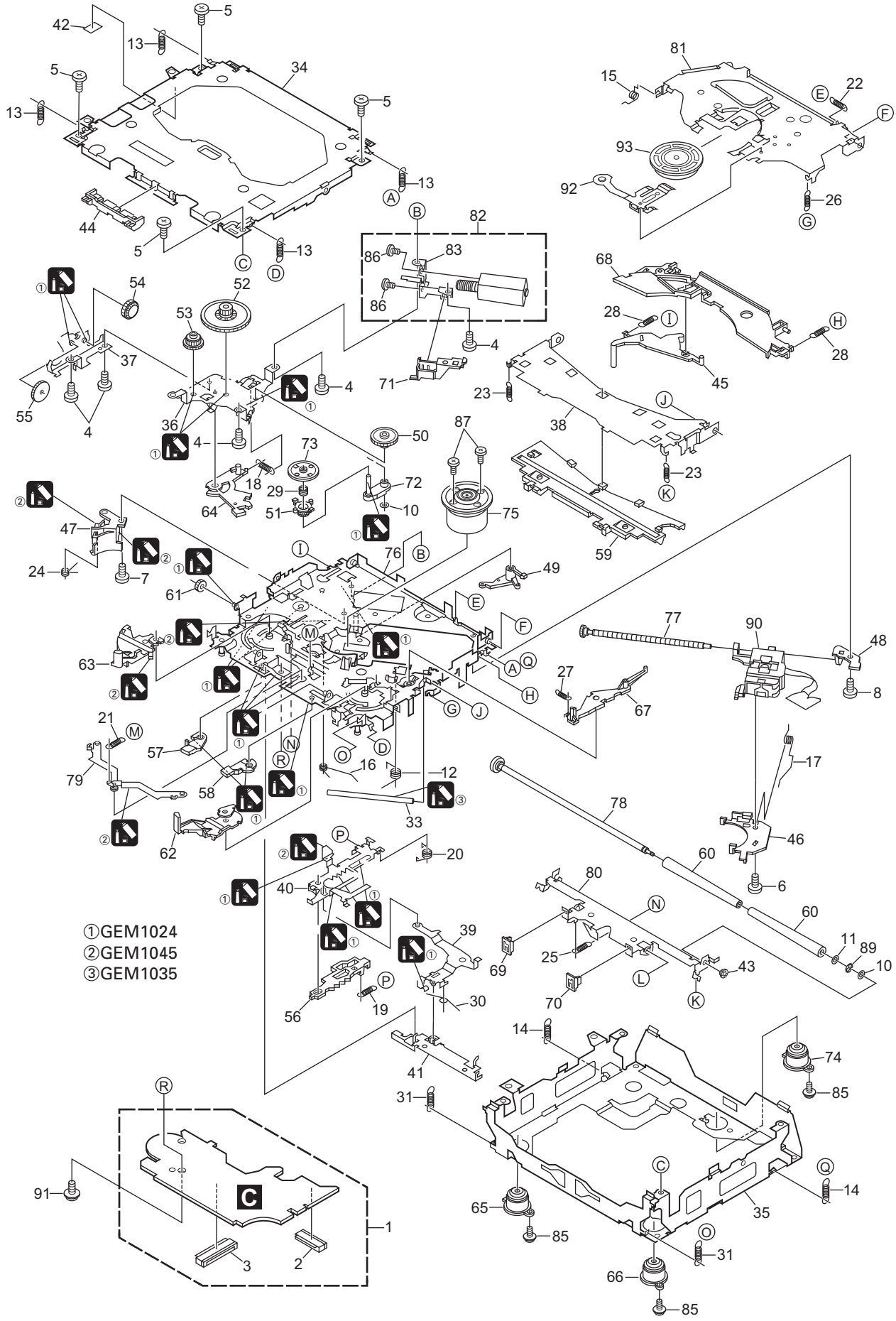
B

C

D

E

F



- ① GEM1024
- ② GEM1045
- ③ GEM1035

CD MECHANISM MODULE SECTION PARTS LIST

<u>Mark No.</u>	<u>Description</u>	<u>Part No.</u>	<u>Mark No.</u>	<u>Description</u>	<u>Part No.</u>	
1	CD Core Unit(S10.1)	CWX2947				
2	Connector(CN101)	CKS4182	51	Gear	CNV7208	A
3	Connector(CN701)	CKS4188	52	Gear	CNV7209	
4	Screw	BMZ20P035FTC	53	Gear	CNV7210	
5	Screw	BSZ20P040FTC	54	Gear	CNV7211	
			55	Gear	CNV7212	
6	Screw(M2x4)	CBA1362				
7	Screw(M2x3)	CBA1511	56	Rack	CNV7214	
8	Screw(M2x3)	CBA1527	57	Arm	CNV7215	
9		58	Arm	CNV7216	
10	Washer	CBF1038	59	Guide	CNV7217	
			60	Roller	CNV7218	B
11	Washer	CBF1060				
12	Spring	CBH2390	61	Gear	CNV7219	
13	Spring	CBH2606	62	Arm	CNV7221	
14	Spring	CBH2607	63	Arm	CNV7220	
15	Spring	CBH2608	64	Arm	CNV7222	
			65	Damper	CNV7313	
16	Spring	CBH2609				
17	Spring	CBH2610	66	Damper	CNV7314	
18	Spring	CBH2735	67	Arm	CNV7341	
19	Spring	CBH2612	68	Arm	CNV7342	
20	Spring	CBH2613	69	Guide	CNV7360	
			70	Guide	CNV7361	C
21	Spring	CBH2614				
22	Spring	CBH2615	71	Holder	CNV7437	
23	Spring	CBH2616	72	Arm	CNV7805	
24	Spring	CBH2617	73	Gear	CNV7595	
25	Spring	CBH2620	74	Damper	CNV7618	
			75	Motor Unit(M1)	CXB6007	
26	Spring	CBH2621				
27	Spring	CBH2641	76	Chassis Unit	CXC2318	
28	Spring	CBH2642	77	Screw Unit	CXB8729	
29	Spring	CBH2643	78	Gear Unit	CXC2397	
30	Spring	CBH2659	79	Arm Unit	CXC2316	D
			80	Arm	CND1896	
31	Spring	CBH2688				
32		81	Arm	CND1894	
33	Shaft	CLA4441	82	Motor Unit(M2)	CXB8933	
34	Frame	CNC9962	83	Bracket	CNC9985	
35	Frame	CNC9963	84		
			85	Screw(M2x5)	EBA1028	
36	Bracket	CNC9966				
37	Bracket	CND1895	86	Screw	JFZ20P020FTC	
38	Arm	CNC9968	87	Screw	JGZ17P022FTC	E
39	Arm	CND1909	88		
40	Lever	CND2032	89	Washer	YE20FTC	
			90	Pickup Unit(P10)(Service)	CXX1647	
41	Lever	CNC9984				
42	Sheet	CNM8134	91	Screw	IMS26P030FTC	
43	Collar	CNV7798	92	Spring	CBL1635	
44	Guide	CNV7799	93	Clamper	CNV7197	
45	Arm	CNV7800				
46	Rack	CNV7199				
47	Holder	CNV7201				F
48	Holder	CNV7202				
49	Arm	CNV7203				
50	Gear	CNV7207				

5. ELECTRICAL PARTS LIST

NOTE:

- Parts whose parts numbers are omitted are subject to being not supplied.
- The part numbers shown below indicate chip components.

Chip Resistor

RS1/○S○○○○J,RS1/○○S○○○○J

Chip Capacitor (except for CQS.....)

CKS....., CCS....., CSZS.....

Circuit Symbol and No.

Part No.

Circuit Symbol and No.

Part No.

D 931	Diode	HZS7L(C3)
D 932	Diode	HZS7L(A1)

D 971	Diode(DEH-1600,16)	S5688G
D 972	Diode(DEH-1600,16)	S5688G
D 981	Diode	S5688G
D 982	Diode	S5688G
D 983	Diode	S5688G

D 991	Diode	HZS9L(B1)
L 151	Inductor	LAU2R2K
L 401	Inductor	LAU1R0K
L 402	Inductor	LAU1R0K
L 404	Ferri-Inductor	LAU4R7K

L 601	Inductor	LAU1R0K
L 801	Inductor	LAU2R2K
L 901	Choke Coil 600μH	CTH1280
X 601	Radiator 12.58291MHz	CSS1402
FU352	Fuse 3A	CEK1286
AR401	Surge Protector FM/AM Tuner Unit Fuse 10A	DSP-201M-S00B CWE1646 CEK1208

RESISTORS

R 153	RS1/16S101J
R 154	RS1/16S101J
R 155	RS1/16S101J
R 156	RS1/16S101J
R 157	RAB4C102J

R 301	RD1/4PU153J
R 353	RS1/16S821J
R 354	RS1/16S821J
R 357	RS1/16S223J
R 358	RS1/16S223J

R 405	RS1/16S681J
R 407	RS1/16S681J
R 408	RS1/16S681J
R 409	RS1/16S681J
R 410	RS1/16S681J

R 414	RS1/16S0R0J
R 420	RS1/16S681J
R 421	RS1/16S473J
R 454	RS1/16S103J
R 455	RS1/16S153J

R 456	RS1/16S221J
R 457	RD1/4PU681J
R 601	(DEH-6) RS1/16S473J
R 602	(DEH-1600,16) RS1/16S473J
R 603	RS1/16S103J

R 604	RS1/16S103J
-------	-------------

A

Unit Number:YWM5005(DEH-1600/XU/UC)

Unit Number:YWM5013(DEH-16/XU/UC)

Unit Number:YWM5015(DEH-6/XU/UC)

Unit Name:Tuner Amp Unit

MISCELLANEOUS

IC 151	IC(DEH-1600,16)	PML003AM
IC 151	IC(DEH-6)	PML010A
IC 302	IC(DEH-1600,16)	PAL007A
IC 302	IC(DEH-6)	TDA7384
IC 551	IC(DEH-6)	TPD1018F
IC 601	IC(DEH-1600,16)	PE5330C
IC 601	IC(DEH-6)	PE5331B
IC 652	IC	TC7SET08FU
IC 961	IC	S-80834CNY
IC 981	IC	NJM2391DL1-33

Q 352	Transistor	IMH3A
Q 452	Transistor	DTC124EU
Q 453	Transistor	DTA124EU
Q 801	Transistor	2SA1036K
Q 821	Transistor	2SA1036K

Q 822	Transistor	DTC114EU
Q 911	Transistor	2SD2396
Q 912	Transistor	IMD2A
Q 921	Transistor	2SD2396
Q 922	Transistor	2SB1243

Q 923	Transistor	DTC114EU
Q 931	Transistor	IMX1
Q 991	Transistor	2SD2396
Q 992	Transistor	IMD2A
D 452	Diode	DAN202U

D 551	Diode(DEH-6)	S5688G
D 552	Diode(DEH-6)	S5688G
D 831	Diode(DEH-1600,16)	1SS133
D 832	Diode(DEH-1600,16)	1SS133
D 833	Diode(DEH-1600,16)	1SS133

D 834	Diode(DEH-1600,16)	1SS133
D 835	Diode(DEH-1600,16)	1SS133
D 836	Diode(DEH-1600,16)	1SS133
D 901	Diode	S5688G
D 902	Diode	S5688G

D 911	Diode	S5688G
D 912	Diode	HZS6L(B2)
D 921	Diode	HZS9L(B3)

<u>Circuit Symbol and No.</u>	<u>Part No.</u>	<u>Circuit Symbol and No.</u>	<u>Part No.</u>
R 605	RS1/16S221J	C 163	CCSRCH100D50
R 606	RS1/16S104J	C 164	CCSRCH100D50
R 607	RD1/4PU222J	C 165	CKSRYB104K16
R 608	RS1/16S0R0J	C 166	CEJQ470M10
		C 167	CEJQ100M16
R 609	RD1/4PU473J		
R 610	RD1/4PU681J	C 301	CFTNA224J50
R 611	RS1/16S473J	C 302	CFTNA224J50
R 633	RS1/16S104J	C 303	CFTNA224J50
R 653	RS1/16S104J	C 304	CFTNA224J50
		C 309	CKSQYB225K10
R 654	RS1/16S102J		
R 661	RS1/16S221J	C 310	CKSQYB225K10
R 801	RS1/16S153J	C 353	CEJQ2R2M50
R 802	RS1/16S153J	C 311	CEJQ2R2M50
R 803	RS1/16S222J	C 312	CEJQ100M16
		C 313	CKSRYB104K16
R 821	RD1/4PU222J		
R 823	RS1/16S103J	C 353	CEJQ2R2M50
R 833	RD1/4PU222J	C 354	CEJQ2R2M50
R 834	RD1/4PU222J	C 401	CKSRYB103K50
R 836	(DEH-1600,16) RD1/4PU104J	C 402	CKSRYB103K50
		C 403	CEJQ470M6R3
R 837	RD1/4PU103J		
R 838	RD1/4PU102J	C 404	CEJQ101M10
R 841	RS1/16S1R0J	C 405	CKSRYB103K50
R 848	RD1/4PU102J	C 420	CCSRCH470J50
R 851	RD1/4PU102J	C 451	CEJQ330M10
		C 551	CKSQYB103K50
R 911	RS1/16S223J		
R 912	RD1/4PU152J	C 552	CKSQYB103K50
R 921	RS1/16S0R0J	C 601	CKSRYB103K50
R 923	RD1/4PU681J	C 604	CCSRCH200J50
R 924	RD1/4PU122J	C 605	CCSRCH200J50
		C 610	CEJQ4R7M35
R 925	RS1/16S103J		
R 931	RS1/16S473J	C 611	CKSRYB224K16
R 932	RS1/16S104J	C 654	CKSRYB104K16
R 933	RD1/4PU102J	C 801	CKSRYB104K16
R 934	RS1/16S472J	C 901	CCH1494
		C 911	CEJQ470M10
R 935	RS1/16S473J		
R 936	RS1/16S223J	C 912	CKSRYB103K50
R 940	RS1/16S104J	C 913	CCH1331
R 941	RS1/16S104J	C 921	CCH1326
R 955	RS1/16S473J	C 922	CEJQ101M16
		C 923	CKSRYB103K50
R 961	RS1/16S102J		
R 962	RS1/16S822J	C 961	CKSRYB473K50
R 971	(DEH-6) RS1/16S0R0J	C 963	CEJQ100M16
R 981	RD1/4PU1R8J	C 981	CKSYB475K10
R 991	RD1/4PU221J	C 982	CKSRYB103K50
		C 983	CEJQ220M16
R 992	RD1/4PU221J		
R 993	RS1/16S222J	C 991	CKSRYB473K50
R 994	RS1/16S472J	C 992	CEJQ101M10

CAPACITORS

C 151	CKSRYB224K16
C 152	CKSRYB224K16
C 153	CKSRYB105K10
C 154	CKSRYB105K10
C 155	CEJQ4R7M35
C 156	CEJQ4R7M35
C 157	(DEH-1600,16) CKSRYB153K50
C 158	(DEH-1600,16) CKSRYB153K50
C 161	CCSRCH100D50
C 162	CCSRCH100D50

B
Unit Number:YWM5006(DEH-1600/XU/UC)
Unit Number:YWM5016(DEH-6/XU/UC)
Unit Name:Keyboard Unit

MISCELLANEOUS

IC 1801	IC	PD6340A
D 1801	Diode (DEH-1600)	MA152WK
D 1802	Diode (DEH-1600)	MA152WA
D 1803	LED	SML-310PT
D 1804	LED	SML-310PT

Circuit Symbol and No.**Part No.**

D 1805	LED	SML-310PT
D 1806	LED	SML-310PT
D 1807	LED	SML-310PT
D 1808	LED	SML-310PT
D 1809	LED	SML-310PT
D 1810	LED	CL-490S-WF-SD
D 1811	LED	CL-490S-WF-SD
X 1801	Ceramic Resonator 5.00MHz	CSS1547
IL 1801	Lamp 40mA,14V	CEL1651
IL 1802	Lamp 40mA,14V	CEL1651
LCD1801	LCD(DEH-1600)	CAW1802
LCD1801	LCD(DEH-6)	YAW5001

RESISTORS

R 1801	RS1/16S222J
R 1802	RS1/16S222J
R 1803	RS1/16S471J
R 1804	RS1/16S471J
R 1805	RS1/16S471J
R 1806	RS1/16S471J
R 1807	RS1/16S151J
R 1808	RS1/16S181J
R 1809	RS1/16S181J
R 1810	RS1/16S181J
R 1811	RS1/16S151J
R 1812	RS1/16S181J
R 1813	RS1/16S181J
R 1814	RS1/16S181J
R 1815	RS1/16S151J
R 1816	RS1/16S151J
R 1817	RS1/16S151J
R 1818	RS1/16S151J
R 1819	RS1/16S131J
R 1820	RS1/16S131J

CAPACITORS

C 1801	CKSRYB103K50
C 1811	CKSRYF104Z25
C 1812	CKSRYF104Z25

B

Unit Number:YWM5014(DEH-16/XU/UC)
Unit Name:Keyboard Unit

MISCELLANEOUS

IC 1801	IC	PD6340A
D 1801	Diode	MA152WK
D 1802	Diode	MA152WA
D 1803	LED	SML-310VT
D 1804	LED	SML-310VT
D 1805	LED	SML-310VT
D 1806	LED	SML-310VT
D 1807	LED	SML-310VT
D 1808	LED	SML-310VT
D 1809	LED	SML-310VT
D 1810	LED	CL-490S-WF-SD
D 1811	LED	CL-490S-WF-SD
X 1801	Ceramic Resonator 5.00MHz	CSS1547

Circuit Symbol and No.**Part No.**

IL 1801	Lamp 40mA,14V	CEL1662
IL 1802	Lamp 40mA,14V	CEL1662
LCD1801	LCD	YAW5012

RESISTORS

R 1801	RS1/16S222J
R 1802	RS1/16S222J
R 1803	RS1/16S471J
R 1804	RS1/16S471J
R 1805	RS1/16S471J
R 1806	RS1/16S471J
R 1807	RS1/16S151J
R 1808	RS1/16S181J
R 1809	RS1/16S181J
R 1810	RS1/16S181J
R 1811	RS1/16S151J
R 1812	RS1/16S181J
R 1813	RS1/16S181J
R 1814	RS1/16S181J
R 1815	RS1/16S151J
R 1816	RS1/16S181J
R 1817	RS1/16S181J
R 1818	RS1/16S181J
R 1819	RS1/16S131J
R 1820	RS1/16S131J

CAPACITORS

C 1801	CKSRYB103K50
C 1811	CKSRYF104Z25
C 1812	CKSRYF104Z25

C

Unit Number:CWX2947

Unit Name:CD CORE UNIT(S10.1)

MISCELLANEOUS

IC 201	IC	UPD63712AGC
IC 301	IC	BA5835FP
IC 701	IC	NJM2391DL1-33
Q 101	Transistor	2SB1132
D 101	Diode	1SS355
D 701	Diode	1SR154-400
X 201	Ceramic Resonator 16.934MHz	CSS1603
S 901	Switch(HOME)	CSN1051
S 902	Switch(CLAMP)	CSN1051
S 903	Spring Switch(DSCSNS)	CSN1052
S 904	Switch(12EJ)	CSN1051
S 905	Switch(8EJ)	CSN1051

RESISTORS

R 101	RS1/10S1R5J
R 102	RS1/10S1R5J
R 103	RS1/10S1R5J
R 104	RS1/10S1R5J
R 105	RS1/10S1R5J
R 201	RS1/16S102J
R 202	RS1/16S1002D
R 203	RS1/16S1002D

<u>Circuit Symbol and No.</u>	<u>Part No.</u>	<u>Circuit Symbol and No.</u>	<u>Part No.</u>
R 204	RS1/16S1002D	C 220	CKSRYB104K16
R 205	RS1/16S1002D	C 221	CKSRYB104K16
		C 222	CKSRYB103K25
R 206	RS1/16S1002D		
R 207	RS1/16S1002D	C 223	CCSRCH680J50
R 208	RS1/16S1002D	C 224	CCSRCH470J50
R 209	RS1/16S1002D	C 225	CKSRYB682K50
R 214	RS1/16S103J	C 231	CKSRYB102K50
		C 232	CKSRYB102K50
R 215	RS1/16S393J		
R 216	RS1/16S122J	C 301	100µF/16V
R 217	RS1/16S562J	C 302	CCH1504
R 218	RS1/16S472J	C 303	CCSRCH221J50
R 234	RS1/16S0R0J	C 304	CCSRCH221J50
		C 305	CKSRYB472K50
			CKSRYB103K25
R 235	RS1/16S103J		
R 236	RS1/16S103J	C 306	CKSRYB104K16
R 301	RS1/16S183J	C 501	CKSRYB103K25
R 302	RS1/16S822J	C 502	CKSRYB103K25
R 303	RS1/16S183J	C 702	100µF/16V
		C 703	CCH1504
			CKSRYB104K16
R 304	RS1/16S822J		
R 305	RS1/16S183J	C 705	10µF/6.3V
R 306	RS1/16S183J		CCH1470
R 307	RS1/16S183J		
R 308	RS1/16S183J		
R 501	RS1/16S102J		
R 503	RS1/16S102J	M 1	Pickup Unit(P10)(Service) CXX1647
R 505	RS1/16S102J	M 2	Motor Unit(SPINDLE) CXB6007
R 506	RS1/16S221J		Motor Unit(LOADING/CARRIAGE)CXB8933
R 507	RS1/16S221J		
R 508	RS1/16S221J		
R 509	RS1/16S221J		
R 601	RS1/16S101J		
R 602	RS1/16S101J		
R 603	RS1/16S0R0J		
R 901	RS1/16S104J		
R 902	RS1/16S473J		
R 903	RS1/16S273J		

Miscellaneous Parts List

	Pickup Unit(P10)(Service)	CXX1647
M 1	Motor Unit(SPINDLE)	CXB6007
M 2	Motor Unit(LOADING/CARRIAGE)	CXB8933

CAPACITORS

C 101		CKSRYB104K16
C 102		CKSRYB104K16
C 103	100µF/16V	CCH1504
C 104	47µF/6.3V	CCH1506
C 108		CKSRYB104K16
C 109		CKSRYB104K16
C 201		CKSRYB104K16
C 202		CKSRYB471K50
C 205	22µF/6.3V	CCH1507
C 206		CKSRYB103K25
C 207		CKSRYB104K16
C 209		CKSRYB104K16
C 210		CKSRYB104K16
C 211		CKSRYB104K16
C 212		CKSRYB104K16
C 213		CKSRYB332K50
C 214		CKSRYB473K25
C 215		CKSRYB104K16
C 216		CKSRYB103K25
C 217		CCSRCH560J50
C 218		CCSRCH5R0C50
C 219		CKSRYB104K16