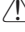

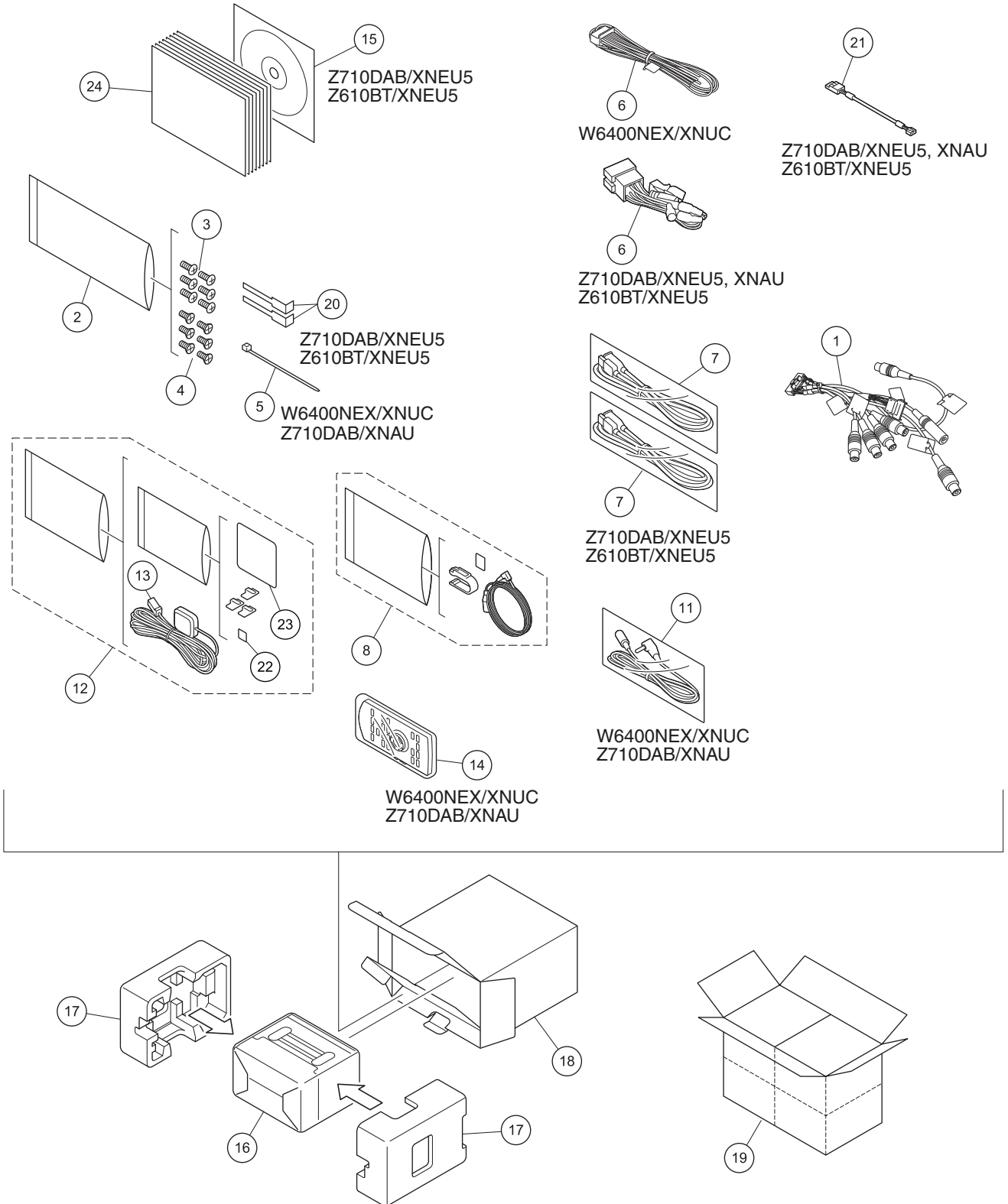


9. EXPLODED VIEWS AND PARTS LIST

- NOTES :**
- Parts marked by " * " are generally unavailable because they are not in our Master Spare Parts List.
 - The  mark found on some component parts indicates the importance of the safety factor of the part. Therefore, when replacing, be sure to use parts of identical designation.
 - Screw adjacent to  mark on the product are used for disassembly.
 - For the applying amount of lubricants or glue, follow the instructions in this manual. (In the case of no amount instructions, apply as you think it appropriate.)

9.1 PACKING



(1) PACKING SECTION PARTS LIST

<u>Mark No.</u>	<u>Description</u>	<u>Part No.</u>	<u>Mark No.</u>	<u>Description</u>	<u>Part No.</u>	
A	1	MBL CMPX CONN-CORD	CDP1803	20	Handle	See Contrast table (2)
*	2	Polyethylene Bag	CEG1160			
	3	Screw	CBA2384	21	Cord	See Contrast table (2)
	4	Screw	CBA2383	22	Double Side Tape	CYN1012
	5	Lock Tie	See Contrast table (2)	23	Sheet	CZN7151
				24-1	Operation Manual	See Contrast table (2)
	6	Cord Assy	See Contrast table (2)	24-2	Quick Start Guide	See Contrast table (2)
	7	USB Extended Cable	CDP1587			
	8	Microphone Assy	CPM1113	24-3	Quick Start Guide	See Contrast table (2)
	9	•••••		24-4	Quick Start Guide	See Contrast table (2)
	10	•••••		24-5	Quick Start Guide	See Contrast table (2)
B				24-6	Installation Manual	See Contrast table (2)
	11	Cable Assy	See Contrast table (2)	24-7	Important Information for the User	See Contrast table (2)
	12	GPS Antenna Assy	CXE5736			
	13	GPS Antenna	CYX1095	*	24-8 Warranty Card	See Contrast table (2)
	14	Card Remote Control Unit	See Contrast table (2)	*	24-9 Registration Card	See Contrast table (2)
	15	IM CD-ROM	See Contrast table (2)		24-10 Caution Card	CRM2029
				*	24-11 Caution Card	CRP1510
	16	Cover	See Contrast table (2)	*	24-12 Caution Card	See Contrast table (2)
	17	Protector	See Contrast table (2)			
	18	Unit Box	See Contrast table (2)	*	24-13 Caution Card	See Contrast table (2)
	19	Contain Box	See Contrast table (2)	*	24-14 Caution Card	See Contrast table (2)

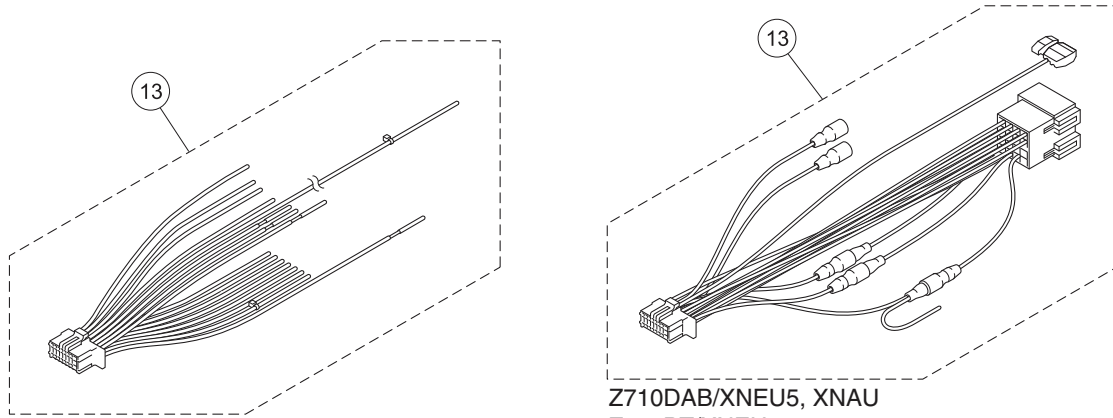
(2) CONTRAST TABLE

AVIC-W6400NEX/XNUC, AVIC-Z710DAB/XNEU5, AVIC-Z710DAB/XNAU and AVIC-Z610BT/XNEU5 are constructed the same except for the following:

Mark	No.	Description	AVIC-W6400NEX /XNUC	AVIC-Z710DAB /XNEU5	AVIC-Z710DAB /XNAU	AVIC-Z610BT /XNEU5
	5	Lock Tie	CNW2429	Not used	CNW2429	Not used
	6	Cord Assy	CDP1666	CDP1545	CDP1545	CDP1545
	11	Cable Assy	CDP1707	Not used	CDP1707	Not used
D	14	Card Remote Control Unit	CXE5117	Not used	CXE5117	Not used
	15	IM CD-ROM	Not used	CRI1047	Not used	CRI1047
	16	Cover	CEG1359	CEG1356	CEG1356	CEG1356
	17	Protector	CHP4598	CHP4599	CHP4598	CHP4599
	18	Unit Box	CHG9523	CHG9525	CHG9524	CHG9526
	19	Contain Box	CHL9656	CHL9658	CHL9657	CHL9659
	20	Handle	Not used	CND6289	Not used	CND6289
	21	Cord	Not used	CDP1669	CDP1669	CDP1669
	24-1	Operation Manual	Not used	Not used	CRB5093	Not used
	24-2	Quick Start Guide	CRB5094	Not used	CRB5097	Not used
E	24-3	Quick Start Guide	Not used	CRD5030	Not used	CRD5030
	24-4	Quick Start Guide	Not used	CRD5031	Not used	CRD5031
	24-5	Quick Start Guide	Not used	CRD5032	Not used	CRD5032
	24-6	Installation Manual	CRD5040	CRD5041	CRB5100	CRD5041
	24-7	Important Information for the User	CRD5048	CRD5049	CRB5099	CRD5049
	*	24-8 Warranty Card	QRY3001	CRY1376	Not used	CRY1376
	*	24-9 Registration Card	CRY1271	Not used	Not used	Not used
	*	24-12 Caution Card	Not used	CRP1441	Not used	CRP1441
	*	24-13 Caution Card	Not used	CRP1509	Not used	CRP1509
F	*	24-14 Caution Card	Not used	CRP1481	CRP1481	Not used

9.2 EXTERIOR (1)

A



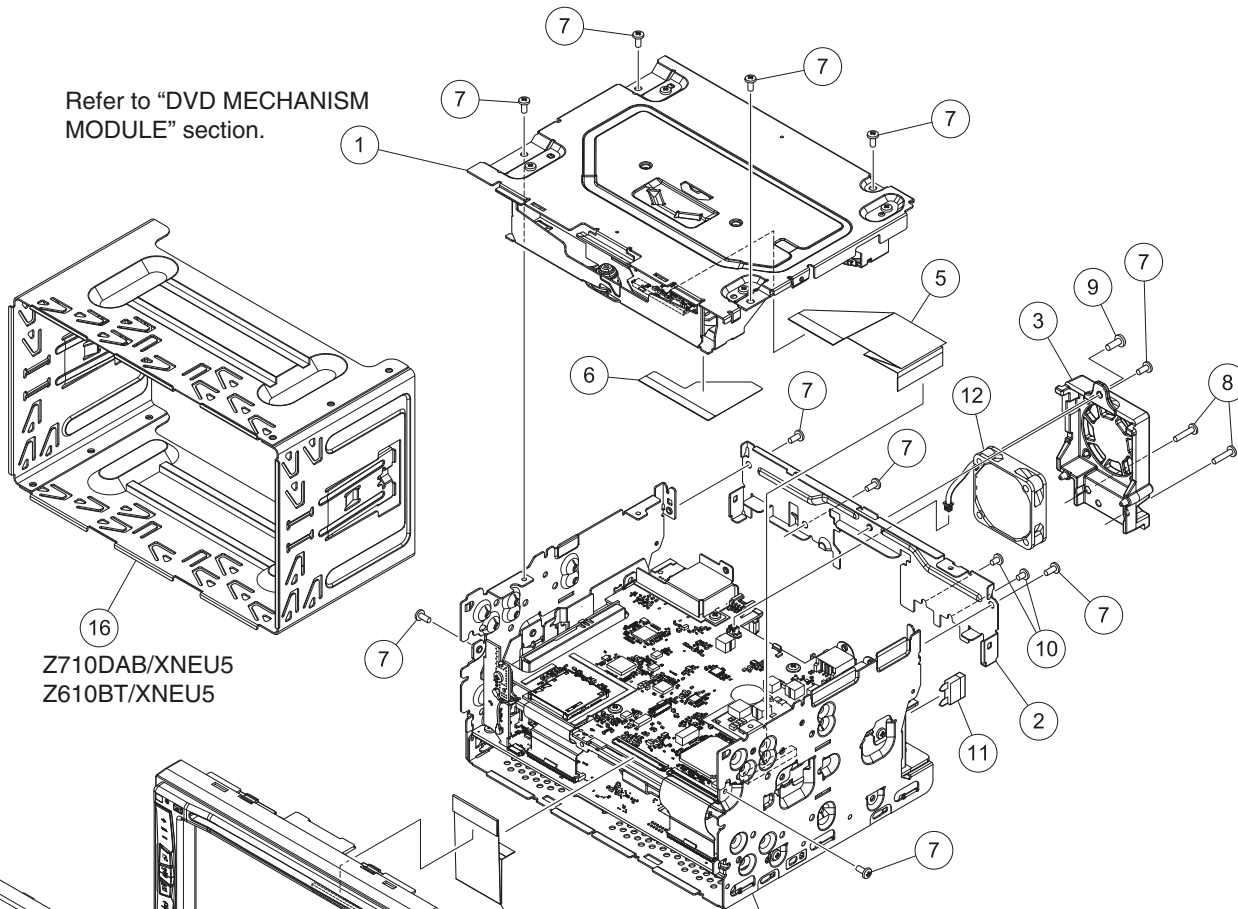
W6400NEX/XNUC

Z710DAB/XNEU5, XNAU
Z610BT/XNEU5

B

C

Refer to "DVD MECHANISM
MODULE" section.



Z710DAB/XNEU5
Z610BT/XNEU5

Refer to "EXTERIOR (2)" section.

E

Refer to "EXTERIOR (4)" section.

F

Z710DAB/XNEU5
Z610BT/XNEU5

W6400NEX/XNUC
Z710DAB/XNAU

(1) EXTERIOR (1) SECTION PARTS LIST

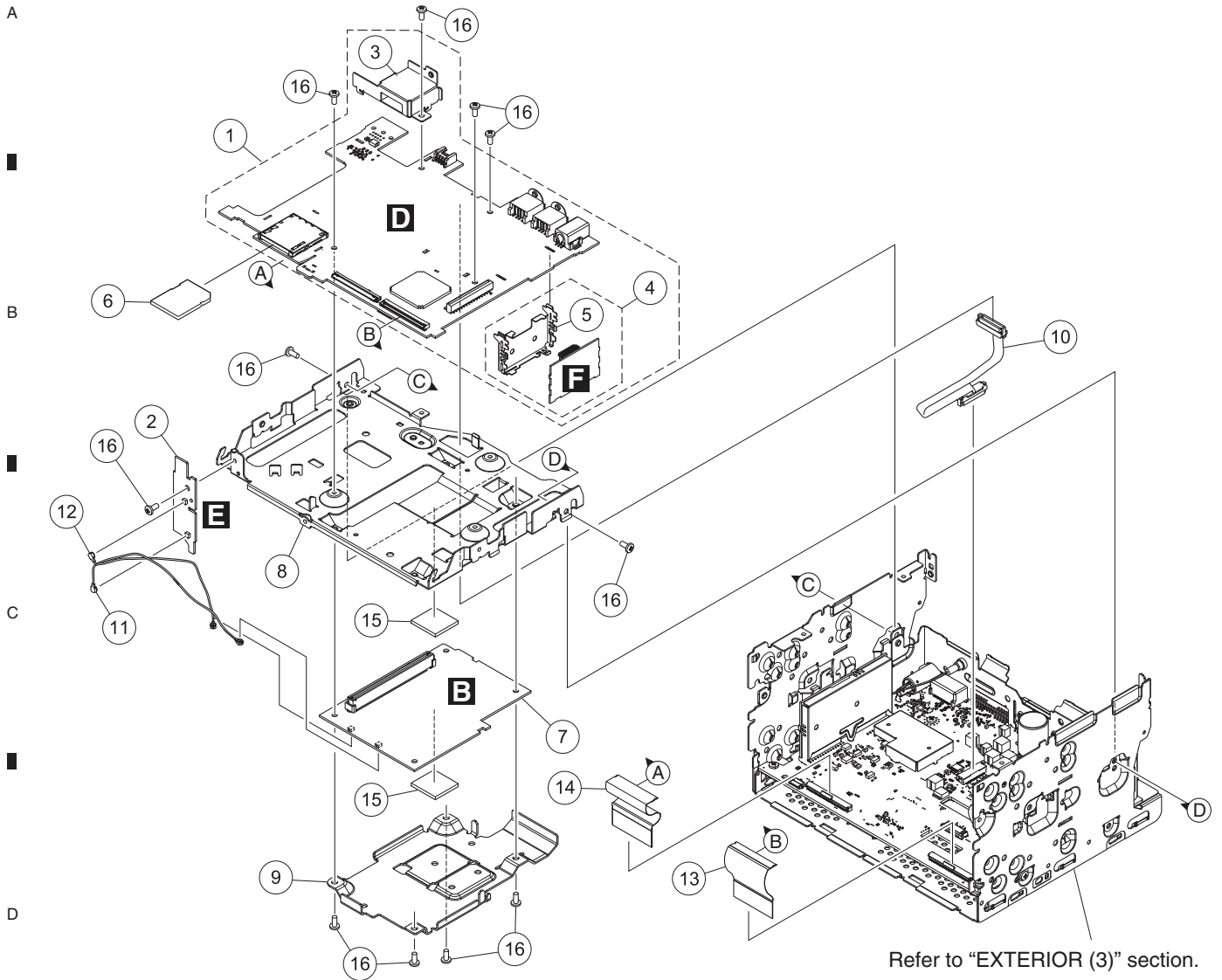
<u>Mark No.</u>	<u>Description</u>	<u>Part No.</u>	<u>Mark No.</u>	<u>Description</u>	<u>Part No.</u>
1	DVD Mechanism Module (LS2.5)	CXK8102	10	Screw	BMZ25P040FTB
2	Holder	See Contrast table (2)			
3	Heat Sink	CNR2196	△ 11	Fuse (10 A)	YEK5001
4	FFC	CDD1216	12	Fan Motor	CXM1446
5	FFC	CDD1227	13	Cord Assy	See Contrast table (2)
			14	Card Remote Control Unit	See Contrast table (2)
6	Insulator	CNN4613	15	Battery Cover	See Contrast table (2)
7	Screw	BSZ26P060FTC			
8	Screw	BSZ26P120FTC	16	Holder	See Contrast table (2)
9	Screw	BPZ30P080FTC	17	Panel	See Contrast table (2)

(2) CONTRAST TABLE

AVIC-W6400NEX/XNUC, AVIC-Z710DAB/XNEU5, AVIC-Z710DAB/XNAU and AVIC-Z610BT/XNEU5 are constructed the same except for the following:

Mark	No.	Description	AVIC-W6400NEX /XNUC	AVIC-Z710DAB /XNEU5	AVIC-Z710DAB /XNAU	AVIC-Z610BT /XNEU5
	2	Holder	CND7776	CND7775	CND7775	CND7775
	13	Cord Assy	CDP1666	CDP1545	CDP1545	CDP1545
	14	Card Remote Control Unit	CXE5117	Not used	CXE5117	Not used
	15	Battery Cover	CNU1624	Not used	CNU1624	Not used
	16	Holder	Not used	CND7102	Not used	CND7102
	17	Panel	Not used	CNU2645	Not used	CNU2645

9.3 EXTERIOR (2)



(1) EXTERIOR (2) SECTION PARTS LIST

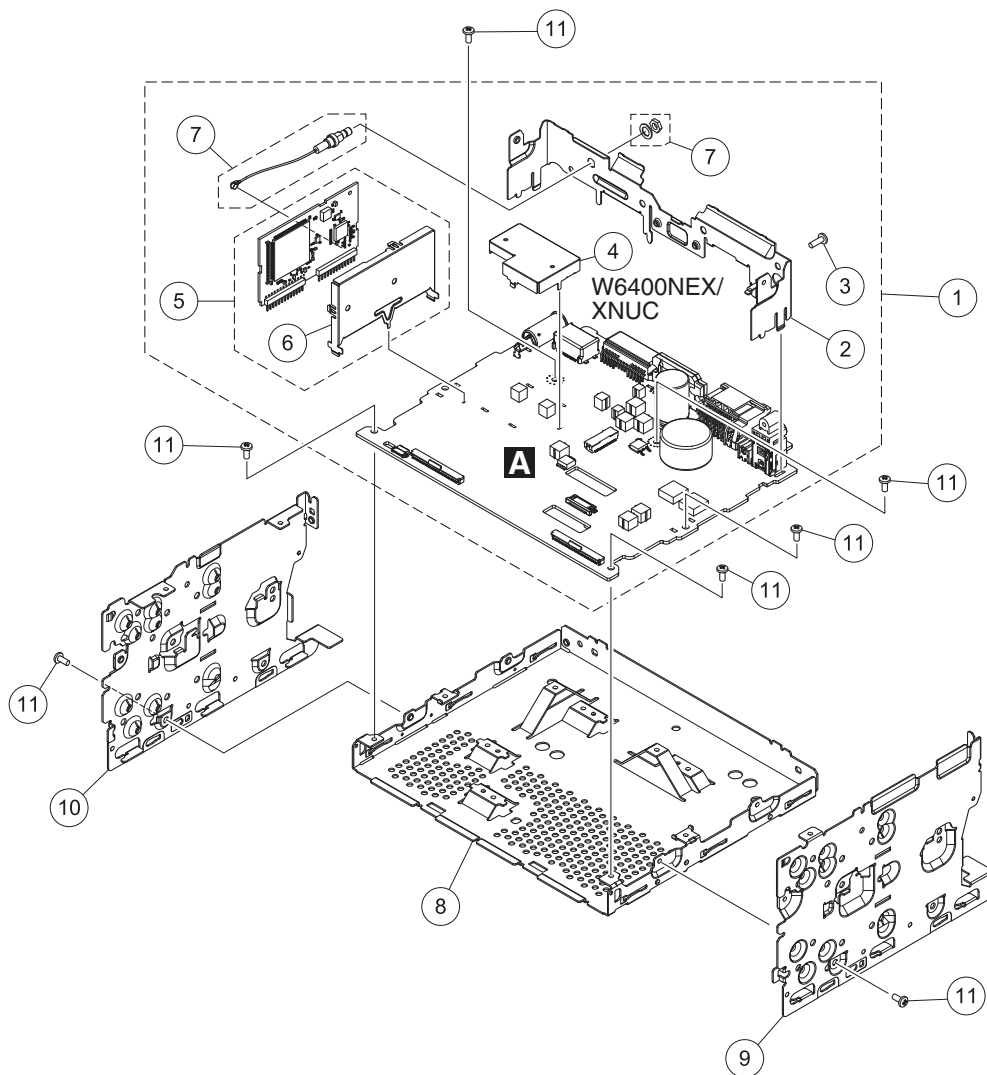
Mark No.	Description	Part No.	Mark No.	Description	Part No.
1	Service IF Unit	See Contrast table (2)	10	Cable Assy	CDP1768
2	Service ANT Unit	CXY1390	11	Cable Assy(Black)	CDP1769
3	Holder	See Contrast table (2)	12	Cable Assy(Gray)	CDF1242
4	CHIPS B COMP Unit	CWX4951	13	FFC	CDD1256
5	Holder	CND6958	14	FFC	CDD1217
6	Service Storage SD Assy	See Contrast table (2)	15	Heat Conduction Sheet	CNN5399
7	SOC Unit	CWF1715	16	Screw	BSZ26P060FTC
8	Holder	CND7774			
9	Holder	CND7797			

(2) CONTRAST TABLE

AVIC-W6400NEX/XNUC, AVIC-Z710DAB/XNEU5, AVIC-Z710DAB/XNAU and AVIC-Z610BT/XNEU5 are constructed the same except for the following:

Mark	No.	Description	AVIC-W6400NEX /XNUC	AVIC-Z710DAB /XNEU5	AVIC-Z710DAB /XNAU	AVIC-Z610BT /XNEU5
	1	Service IF Unit	CXY1376	CXY1377	CXY1378	CXY1379
	3	Holder	CND7770	CND7946	CND7770	CND7946
	6	Service Storage SD Assy	CXY1403	CXY1405	CXY1406	CXY1405

9.4 EXTERIOR (3)



(1) EXTERIOR (3) SECTION PARTS LIST

Mark No.	Description	Part No.	Mark No.	Description	Part No.
1	AV Unit	See Contrast table (2)	7	Antenna Cable Assy	See Contrast table (2)
2	Holder	CND7772	8	Chassis	CNA3310
3	Screw	BPZ26P080FTC	9	Bracket	CND6985
4	Shield Case	See Contrast table (2)	10	Bracket	CND6986
5	BE Core Unit	See Contrast table (2)	11	Screw	BSZ26P060FTC
6	Holder	See Contrast table (2)			

(2) CONTRAST TABLE

AVIC-W6400NEX/XNUC, AVIC-Z710DAB/XNEU5, AVIC-Z710DAB/XNAU and AVIC-Z610BT/XNEU5 are constructed the same except for the following:

Mark	No.	Description	AVIC-W6400NEX /XNUC	AVIC-Z710DAB /XNEU5	AVIC-Z710DAB /XNAU	AVIC-Z610BT /XNEU5
	1	AV Unit	CWF1721	CWF1722	CWF1722	CWF1724
	4	Shield Case	CND7972	Not used	Not used	Not used
	5	BE Core Unit	CWE2518	CWE2571 (WWR Tuner Unit)	CWE2571 (WWR Tuner Unit)	Not used
	6	Holder	CND7288	CND7288	CND7288	Not used
	7	Antenna Cable Assy	Not used	QXA4122	QXA4122	Not used

(1) EXTERIOR (4) SECTION PARTS LIST

<u>Mark No.</u>	<u>Description</u>	<u>Part No.</u>	<u>Mark No.</u>	<u>Description</u>	<u>Part No.</u>
1	Srevice AVN 6.2 Monitor	CXY1395	* 18	Button(MAP)	CAI4886
2	Service AVN 6.2 Key	CXY1396	* 19	Button(HOME)	CAI4887
3	Touch Panel Unit	CXE8371	* 20	Button(MODE)	CAI4888
4	Touch Panel	CSX1273			
5	Cushion	CNN4273	* 21	DS TAPE	CNN5385
			22	Button	CAI4884
6	Cushion	CNN4964	23	Button(EJECT)	CAI4574
7	Grille Assy	See Contrast table (2)	24	Holder	CNW3806
8	Grille	See Contrast table (2)	25	Lighting Conductor	CNW3811
9	Button(DETACH)	CAI4885			
* 10	Arm	CNW2708	26	Lighting Conductor	CNW3436
			27	Cover	CNN4865
* 11	Coil Spring	CBH3111	28	Holder	CND7744
12	Grille Assy	CXE9801	29	TFT LCD	CWX4885
* 13	Grille	CNU3765	30	Screw	BPZ20P080FTC
* 14	Cover	CNU3770			
* 15	Button	CAI4889	31	Screw	BSZ26P060FTC
			32	FFC	CDD1228
* 16	Leaf Spring	CBL1874	33	Sheet	CNN5630
* 17	Plate	CNN5382			

(2) CONTRAST TABLE

AVIC-W6400NEX/XNUC, AVIC-Z710DAB/XNEU5, AVIC-Z710DAB/XNAU and AVIC-Z610BT/XNEU5 are constructed the same except for the following:

Mark	No.	Description	AVIC-W6400NEX /XNUC	AVIC-Z710DAB /XNEU5	AVIC-Z710DAB /XNAU	AVIC-Z610BT /XNEU5
	7	Grille Assy	CXE9800	CXF1634	CXF1635	CXF1636
*	8	Grille	CNU3761	CNU3762	CNU3763	CNU3764

9.6 DVD MECHANISM MODULE (1)

1

2

3

4

A

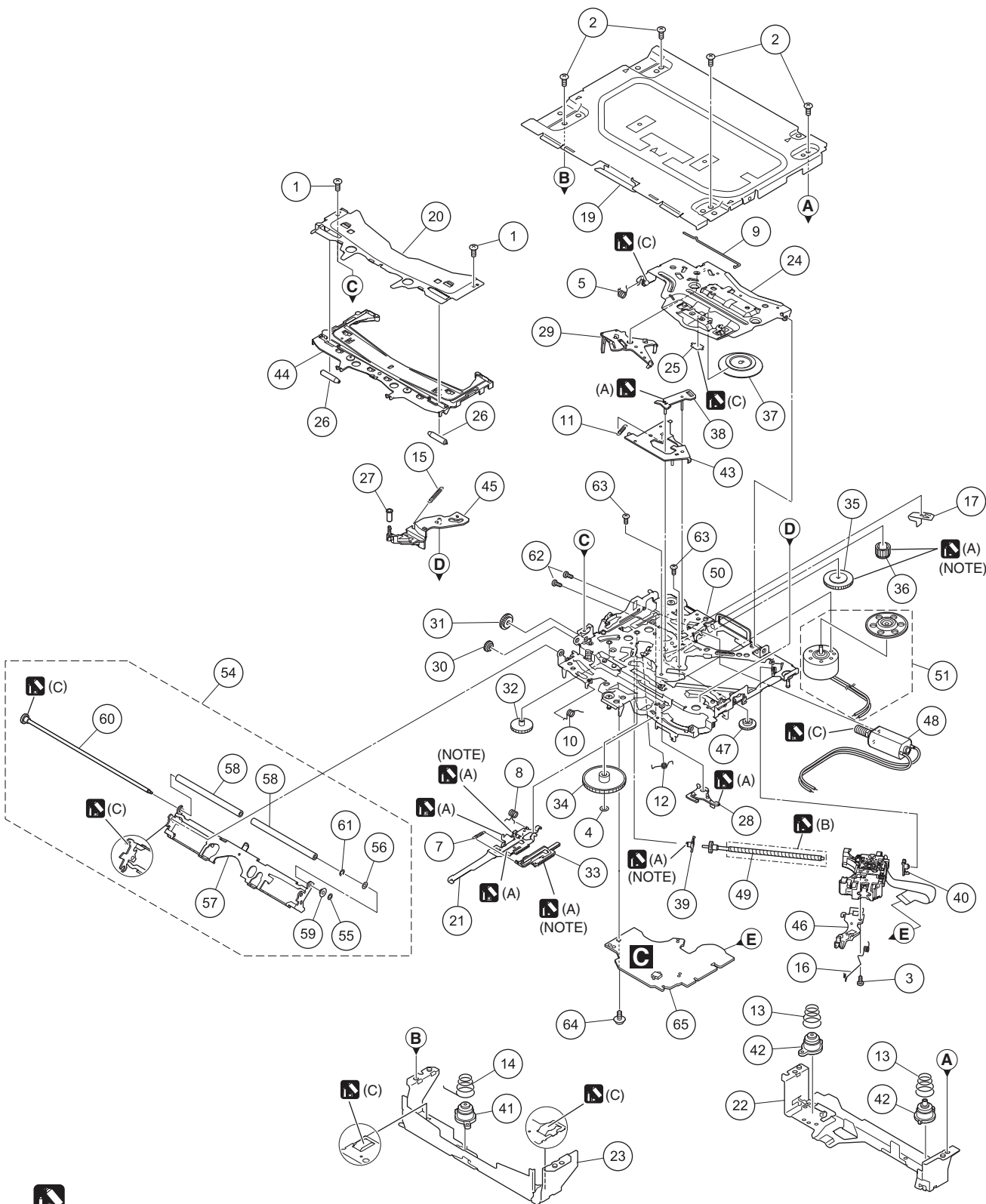
B

C

D

E

F



- (A) : GEM1043
- (B) : GEM1045
- (C) : GEM1024

(NOTE) Apply grease to the whole part.

1

2

3

4

DVD MECHANISM MODULE (1) SECTION PARTS LIST

<u>Mark No.</u>	<u>Description</u>	<u>Part No.</u>	<u>Mark No.</u>	<u>Description</u>	<u>Part No.</u>
1	Screw	BSZ20P040FTC	34	Gear	CNW1185
2	Screw	BSZ26P060FTC	35	Gear	CNW1186
3	Screw (M2 x 4)	CBA1835			
4	Washer	CBF1038	36	Gear	CNW1187
5	Spring	CBH2855	37	Clamper	CNW1190
			38	Arm	CNW1192
6	•••••		39	Holder	CNW1193
7	Spring	CBH3010	40	Holder	CNW1194
8	Spring	CBH3011			
9	Spring	CBH3014	41	Damper	CNW2439
10	Spring	CBH3015	42	Damper	CNW2440
			43	Arm	CNW1726
11	Spring	CBH3016	44	Guide	CNW3489
12	Spring	CBH3017	45	Arm	CNW2241
13	Spring	CBH3019			
14	Spring	CBH3086	46	Rack	CNW2265
15	Spring	CBH3095	47	Gear	CNW2287
			48	Motor Unit	CXC4026
16	Spring	CBH3096	49	Screw Unit	CXC8894
17	Plate Spring	CBL1824	50	Chassis Unit	CXE9532
18	•••••				
19	Case	CNB3928	51	Spindle Motor Unit	CXF1303
20	Bracket	CND4553	52	•••••	
			53	•••••	
21	Lever	CND7225	54	Arm Assy	CXE9036
22	Bracket	CND5710	55	Washer	CBF1037
23	Bracket	CND6127			
24	Arm	CND7224	56	Washer	CBF1038
25	Sheet	CNN3678	57	Arm	CND6779
			58	Roller	CNW2500
26	Roller	CNW1172	59	Collar	CNW2444
27	Roller	CNW1175	60	Gear Unit	CXE8952
28	Arm	CNW1177			
29	Arm	CNW1178	61	E Ring	YE15FTC
30	Gear	CNW1180	62	Screw	JFZ20P025FTC
			63	Screw	JGZ17P020FTC
31	Gear	CNW1181	64	Screw (M2 x 5)	EBA1028
32	Gear	CNW1183	65	DVD Core Unit	CWX4717
33	Rack	CNW1184			

Pickup, Spindle Motor and Support Wheel are not available as service parts, because they need adjustment by special equipment after replacing.

12. ELECTRICAL PARTS LIST

NOTE:

- Parts whose parts numbers are omitted are subject to being not supplied.
- The part numbers shown below indicate chip components.

Chip Resistor

RS1/○S○○○○J,RS1/○○S○○○○J

Chip Capacitor (except for CQS.....)

CKS....., CCS....., CSZS.....

- Parts marked by " * " are generally unavailable because they are not in our Master Spare Parts List.
- The ⚠ mark found on some component parts indicates the importance of the safety factor of the part. Therefore, when replacing, be sure to use parts of identical designation.

• The expression of the unit in this manual is shown by u instead of μ . Please do not make a mistake.

Circuit Symbol and No.

Part No.

A:AVIC-W6400NEX/XNUC

B:AVIC-Z710DAB/XNEU5

C:AVIC-Z710DAB/XNAU

D:AVIC-Z610BT/XNEU5

Unit Number: CWF1721 (A)

Unit Number: CWF1722 (B, C)

Unit Number: CWF1724 (D)

Unit Name : AV Unit

Unit Number: CWF1715

Unit Name : SOC Unit

Unit Number: CWX4717

Unit Name : DVD Core Unit

Unit Number: CXY1376(A)

Unit Number: CXY1378(C)

Unit Name : Service IF Unit

Unit Number: CXY1377(B)

Unit Number: CXY1379(D)

Unit Name : Service IF Unit

Unit Number: CXY1390

Unit Name : Service Ant Unit

Unit Number: CWX4951

Unit Name : CHIPS B COMP Unit

Unit Number: CXY1395

Unit Name : Service AVN 6.2 Monitor

Unit Number: CXY1396

Unit Name : Service AVN 6.2 Key

Circuit Symbol and No.

Part No.

A

Unit Number: CWF1721 (A)

Unit Number: CWF1722 (B, C)

Unit Number: CWF1724 (D)

Unit Name : AV Unit

MISCELLANEOUS

IC 103	IC	NJM12904V
IC 201	IC	AN33012UA
IC 301	Regulator IC	NJW4184DL3-08A
IC 302	Regulator IC	MM1856A50N
IC 303	Regulator IC	NJM2878F3-05
IC 304	Regulator IC	MM1856A58N
IC 305	IC	NJM2886DL3-33
IC 306	Regulator IC	MM3571A33P
IC 307	Regulator IC	MM3571A33P
IC 308	Regulator IC(B,C)	MM3479A33P
IC 309	Regulator IC(A,B,C)	MM3479A33P
IC 310	Regulator IC(A,B,C)	S-1172B12-E6
IC 311	Regulator IC	MM1856A50N
IC 501	IC	AK4223VQ
IC 701	Op-amp IC	NJW1240V
IC 801	IC	LV2241PQA
IC 1051	IC	NJM4580V
IC 8401	Tuner IC(A)	TEF6688HN-V102
IC 8401	Tuner IC(B,C,D)	TEF6686HN-V102
IC 8551	Tuner IC	TEF6686HN-V102
IC 9001	E-VOL System LSI	PM9015A
IC 9201	Power Amp IC	TCB501HQ
Q 103	Bipolar Transistor	LSCR523UB
Q 104	Resistor Built-in Transistor	LTA044EEB
Q 105	Bipolar Transistor	LSCR523UB
Q 107	Resistor Built-in Transistor	LTC014EEB
Q 108	Bipolar Transistor	LSCR523UB
Q 109	Bipolar Transistor	LSAR523UB
Q 110	Resistor Built-in Transistor	LTC014EEB
Q 111	Resistor Built-in Transistor	LTC014EEB
Q 112	Bipolar Transistor	LSAR523UB
Q 201	Power MOS FET	ATP112-H
Q 202	Power MOS FET	ATP112-H
Q 701	Resistor Built-in Transistor	LTC044EEB
Q 901	Resistor Built-in Transistor(B,C)	LTC014EEB

<u>Circuit Symbol and No.</u>		<u>Part No.</u>	<u>Circuit Symbol and No.</u>		<u>Part No.</u>
Q 902	Transistor(B,C)	2SAR293PGZE	L 1505	Chip Beads	VTL1126
Q 903	Transistor(B,C)	2SCR293PGZE	L 1506	Chip Beads	VTL1126
Q 1051	Bipolar Transistor	LSCR523UB	L 1507	Chip Beads	VTL1126
Q 1501	Chip Transistor	2SD2114K	L 1508	Chip Beads	VTL1126
Q 1503	Resistor Built-in Transistor	RN4984S1	L 1509	Chip Beads	VTL1126
			L 1510	Chip Beads	VTL1126
Q 1504	Chip Transistor	HN1C03FU			
Q 1507	Resistor Built-in Transistor	RN4984S1	L 1511	Chip Beads	VTL1126
Q 8401	Bipolar Transistor(A)	MMBT2369L	L 1512	Chip Beads	VTL1126
Q 8402	Bipolar Transistor(A)	MMBT2369L	L 1513	Chip Beads	VTL1126
Q 8403	Bipolar Transistor(A)	MMBT2369L	L 1514	Chip Beads	VTL1126
			L 1515	Chip Beads	VTL1126
Q 8404	Bipolar Transistor(A)	MMBT2369L			
Q 9302	Bipolar Transistor	LSCR523UB	L 1516	Chip Beads	VTL1126
Q 9303	Resistor Built-in Transistor	RN1903S1	L 1517	Chip Beads	VTL1126
Q 9306	Resistor Built-in Transistor	RN4987S1	L 1518	Chip Beads	VTL1126
Q 9309	Bipolar Transistor	LSCR523UB	L 1519	Chip Beads	VTL1126
			L 1520	Chip Beads	VTL1126
D 101	Diode	D1F60-5053			
D 102	Diode	D1F60-5053	L 1521	Chip Beads	VTL1126
D 104	Fast Recovery Diode	RFN5BM2SFH	L 1522	Chip Beads	VTL1126
D 107	Diode	UDZV6R8(B)	L 1523	SMD Ferrite Beads	CTF1869
D 108	Rectifier Diode	DA2J101	L 1524	SMD Ferrite Beads	CTF1869
			L 1525	Chip Beads	VTL1126
D 109	Rectifier Diode	DA2J101			
D 110	Diode	DZ2J200M0	L 1526	Chip Beads	VTL1126
D 111	Diode	DZ2J056M0	L 1527	SMD Ferrite Beads	CTF1869
D 112	Rectifier Diode	DA2J101	L 8401	SMD Ferrite Beads	CTF1893
D 115	Rectifier Diode	DA2J101	L 8403	Inductor	LCTC150K2125
			L 8405	Inductor	LCMAR27J1608
D 116	Rectifier Diode	DA2J101			
D 118	Rectifier Diode	DA2J101	L 8409	Inductor	CTF1389
D 119	Rectifier Diode	DA2J101	L 8551	SMD Ferrite Beads	CTF1893
D 201	Diode	RB080L-30	L 8555	Inductor	LCMAR27J1608
D 202	Diode	RB080L-30	L 9001	SMD Ferrite Beads	CTF1882
			X 8401	Crystal Resonator 9.216 MHz	CSS1888
D 311	Diode(A,B,C)	CRG03			
D 801	Diode	EZAEG2A50AX	X 8551	Crystal Resonator 9.216 MHz	CSS1888
D 802	Diode	RN771V	X 9002	Crystal Resonator 18.432 MHz	CWX4858
D 803	Diode	RN771V	F 9000	EMI Filter	CCG1142
D 901	Diode(B,C)	DZ2J160M0	F 9001	EMI Filter	CCG1142
			F 9002	EMI Filter	CCG1142
D 1510	Diode	DZ2J043M0			
D 1511	Diode	DZ2S068C	F 9004	EMI Filter	CCG1142
D 1524	Diode	DZ2S068C	F 9200	EMI Filter	CCG1142
D 1526	Diode	DZ2S068C	F 9201	EMI Filter	CCG1142
D 8401	Diode	EZAEG2A50AX	⚠P201	Fuse 8 A	CEK1263
			⚠P302	Fuse 8 A	CEK1263
D 8402	Diode	EZAEG2A50AX	⚠P303	Fuse 4 A	CEK1344
D 8551	Diode	EZAEG2A50AX	P 801	Surge Absorber	IMSA-6803-01Y900
D 9301	Rectifier Diode	DAN202UM	P 901	Poly Switch(B,C)	FSMD075-24R
D 9302	Diode	UDZV8R2(C)	P 1501	Poly Switch	FSMD075-24R
D 9303	Rectifier Diode	DA2J101	P 1502	Poly Switch	FSMD075-24R
D 9306	Rectifier Diode	DAN202UM			
L 101	Toroidal Coil	CTH1639	P 1503	Poly Switch	FSMD075-24R
L 201	Inductor	CTH1257	P 1507	Poly Switch	FSMD075-24R
L 202	Choke Coil 7.0uH	CTH1381	VL8402	Variable Coil	CTC1216
L 801	Inductor	LCMAR27J1608	VL8551	Variable Coil	CTC1216
			CN301	Plug	CKM1599
L 802	Inductor	LCMA39NJ1608			
L 803	Inductor	LCMAR27J1608	CN1201	FFC/FPC Connector	CKS6543
L 804	Inductor	LCYB82NJ1005	CN1202	FFC/FPC Connector	CKS6543
L 805	Inductor	LCYB22NJ1005	CN1401	Connector	CKS4497
L 806	Inductor	LCMAR10J1608	CN1501	Connector	CKS6461
			JA 101	Connector	CKM1613
L 807	Inductor	LCMAR10J1608			
L 1051	SMD Ferrite Beads	CTF1878	JA801	Antenna Jack	CKX1104
L 1503	Chip Beads	VTL1126	JA 1501	Jack	CKN1101
L 1504	Chip Beads	VTL1126	JA 1502	Jack	CKN1121

Circuit Symbol and No.Part No.Circuit Symbol and No.Part No.**RESISTORS**

			R 219		RS1/4SA471J
			R 220		RS1/4SA471J
			R 221		RS1/4SA471J
A	R 103	RS1/10SR224J			
	R 114	RS1/16SS473J	R 222	0.015 ohm	CCN1328
	R 115	RS1/16SS473J	R 223	0.015 ohm	CCN1328
	R 117	RS1/16SS104J	R 224		RS1/10SR0R0J
	R 118	RS1/10SR102J	R 226		RS1/10SR0R0J
			R 227		RS1/16SS511J
	R 119	RS1/16SS101J			
	R 120	RS1/16SS103J	R 228		RS1/16SS3302D
	R 121	RS1/16SS103J	R 229		RS1/16SS7501D
	R 123	1 kohm CCN1326	R 230		RS1/16SS3300D
	R 124	RS1/16SS473J	R 231		RS1/16SS223J
			R 239		RS1/16SS0R0J
B	R 125	RS1/16SS473J			
	R 127	1 kohm CCN1326	R 240		RS1/16SS0R0J
	R 128	RS1/16SS472J	R 242		RS1/16SS0R0J
	R 129	RS1/16SS103J	R 344		RS1/16SS0R0J
	R 130	3.9 kohm CCN1352	R 345		RS1/16SS332J
			R 346		RS1/10SR102J
	R 131	RS1/16SS561J			
	R 133	RS1/16SS102J	R 348		RS1/10SR102J
	R 134	RS1/16SS103J	R 349		RS1/16SS332J
	R 135	RS1/16SS223J	R 350		RS1/16SS102J
	R 136	RS1/16SS473J	R 351		RS1/16SS0R0J
			R 353		RS1/10SR102J
C	R 137	RS1/16SS102J			
	R 138	RS1/10SR0R0J	R 354		RS1/10SR471J
	R 139	RS1/16SS333J	R 360		RS1/16SS102J
	R 140	RS1/16SS203J	R 361		RS1/16SS102J
	R 141	RS1/16SS513J	R 362		RS1/10SR332J
			R 368		RS1/10SR102J
	R 142	RS1/16SS822J			
	R 143	RS1/16SS202J	R 369		RS1/10SR102J
	R 144	RS1/16SS102J	R 371	(B,C)	RS1/16SS102J
	R 145	RS1/16SS564J	R 373	(A,B,C)	RS1/16SS102J
	R 146	RS1/16SS102J	R 374	(A,B,C)	RS1/16SS102J
			R 380		RS1/16SS0R0J
	R 147	RS1/16SS513J			
	R 148	RS1/16SS104J	R 505		RS1/10SR0R0J
D	R 149	RS1/16SS513J	R 506		RS1/10SR0R0J
	R 150	RS1/16SS473J	R 507		RS1/16SS104J
	R 151	RS1/16SS563J	R 510		RS1/16SS223J
			R 511		RS1/16SS223J
	R 152	RS1/16SS104J			
	R 158	RS1/16SS104J	R 512		RS1/10SR101J
	R 159	RS1/16SS432J	R 513		RS1/10SR101J
	R 160	RS1/16SS223J	R 514		RS1/10SR101J
	R 161	RS1/16SS102J	R 520		RS1/16SS223J
			R 521		RS1/16SS223J
	R 162	RS1/16SS473J			
	R 163	RS1/16SS103J	R 522		RS1/10SR101J
	R 165	RS1/10SR0R0J	R 523		RS1/10SR101J
E	R 202	RS1/16SS0R0J	R 524		RS1/10SR101J
	R 204	RS1/16SS1103D	R 529	(A)	RS1/10SR101J
			R 530	(A)	RS1/10SR101J
	R 205	0.018 ohm CCN1337			
	R 206	0.018 ohm CCN1337	R 531	(A)	RS1/10SR101J
	R 207	RS1/10SR0R0J	R 532		RS1/16SS75R0D
	R 209	RS1/10SR0R0J	R 533		RS1/16SS101J
	R 210	RS1/16SS511J	R 534		RS1/16SS101J
			R 535		RS1/16SS104J
	R 211	RS1/16SS2702D			
	R 212	RS1/16SS1101D	R 536		RS1/16SS104J
	R 213	RS1/16SS2701D	R 537		RS1/16SS75R0D
	R 214	RS1/16SS223J	R 538		RS1/16SS101J
F	R 216	RS1/4SA471J	R 539		RS1/16SS101J
			R 540		RS1/16SS0R0J
	R 217	RS1/4SA471J			
	R 218	RS1/4SA471J	R 541		RS1/16SS75R0D

<u>Circuit Symbol and No.</u>	<u>Part No.</u>	<u>Circuit Symbol and No.</u>	<u>Part No.</u>
R 542	RS1/16SS101J	R 1064	RS1/16SS0R0J
R 543	RS1/16SS101J	R 1065	RS1/16SS102J
R 545	RS1/16SS75R0D	R 1066	RS1/16SS100J
R 546	RS1/16SS75R0D	R 1068	RS1/16SS0R0J
		R 1105	RS1/16SS104J
R 547	RS1/16SS0R0J		
R 548	RS1/16SS0R0J	R 1108	RS1/16SS0R0J
R 577	RS1/16SS470J	R 1111	RS1/16SS0R0J
R 613	RS1/16SS0R0J	R 1201	RS1/16SS0R0J
R 614	RS1/16SS0R0J	R 1202	RS1/16SS0R0J
		R 1203	RS1/16SS0R0J
R 701	RS1/16SS103J		
R 702	RS1/16SS684J	R 1210	RS1/16SS470J
R 704	RS1/16SS100J	R 1211	RS1/16SS470J
R 706	RS1/16SS102J	R 1212	RS1/16SS470J
R 801	RS1/10SR0R0J	R 1213	RS1/16SS470J
		R 1214	RS1/16SS470J
R 802	RS1/10SR0R0J		
R 803	RS1/10SR0R0J	R 1420	RS1/16SS0R0J
R 804	RS1/10SR0R0J	R 1502	RS1/16SS821J
R 805	RS1/16SS180J	R 1503	RS1/16SS472J
R 806	RS1/16SS221J	R 1516	RS1/16SS223J
		R 1517	RS1/16SS472J
R 807	RS1/16SS104J		
R 808	RS1/16SS100J	R 1518	RS1/16SS223J
R 809	RS1/16SS330J	R 1519	RS1/16SS821J
R 810	RS1/16SS330J	R 1520	RS1/16SS0R0J
R 901 (B,C)	RS1/16SS103J	R 1521	RS1/16SS0R0J
		R 1525	RS1/16SS0R0J
R 902 (B,C)	RS1/4SA471J		
R 903 (B,C)	RS1/4SA471J	R 1526	RS1/16SS0R0J
R 904 (B,C)	RS1/16SS1003D	R 1527	RS1/16SS0R0J
R 906 (B,C)	RS1/16SS221J	R 1539	RS1/16SS0R0J
R 907 (A)	RAB4CQ221J	R 1540	RS1/16SS103J
		R 1541	RS1/16SS122J
R 914 (B,C)	RS1/16SS0R0J		
R 915 (B,C)	RS1/16SS911J	R 1542	RS1/16SS152J
R 919 (A)	RS1/10SR0R0J	R 1550	RS1/16SS223J
R 920 (A)	RS1/10SR0R0J	R 1551	RS1/16SS223J
R 921 (A)	RS1/10SR0R0J	R 1552	RS1/16SS223J
		R 1553	RS1/16SS223J
R 922	RS1/10SR0R0J		
R 923	RS1/10SR0R0J	R 1554	RS1/16SS223J
R 926 (A)	RAB4CQ0R0J	R 1555	RS1/16SS223J
R 927 (A)	RS1/16SS103J	R 1703 (A,B,C)	RS1/16SS0R0J
R 931	RS1/10SR0R0J	R 1704 (D)	RS1/16SS0R0J
		R 1712 (A)	RS1/16SS0R0J
R 932	RS1/10SR0R0J		
R 933 (A)	RS1/16SS221J	R 1713 (B,C,D)	RS1/16SS0R0J
R 934 (A)	RS1/16SS221J	R 8404	RS1/16SS103J
R 935 (A)	RS1/16SS221J	R 8406	RS1/16SS103J
R 936 (A)	RS1/16SS221J	R 8407	RS1/16SS472J
		R 8408	RS1/16SS472J
R 958 (B,C)	RS1/16SS221J		
R 959 (B,C)	RS1/16SS221J	R 8409	RS1/16SS101J
R 960 (B,C)	RS1/16SS221J	R 8410	RS1/16SS101J
R 1051	RS1/16SS0R0J	R 8412	RS1/16SS391J
R 1052	RS1/16SS333J	R 8413	RS1/16SS105J
		R 8414	RS1/16SS105J
R 1053	RS1/16SS0R0J		
R 1054	RS1/16SS103J	R 8421 (A)	RS1/16SS182J
R 1056	RS1/16SS563J	R 8422 (A)	RS1/16SS332J
R 1057	RS1/16SS0R0J	R 8423 (A)	RS1/16SS121J
R 1058	RS1/16SS0R0J	R 8424 (A)	RS1/16SS102J
		R 8425 (A)	RS1/16SS182J
R 1059	RS1/16SS682J		
R 1060	RS1/16SS102J	R 8426 (A)	RS1/16SS332J
R 1061	RS1/16SS102J	R 8427 (A)	RS1/16SS121J
R 1062	RS1/16SS152J	R 8428 (A)	RS1/16SS102J
R 1063	RS1/16SS332J	R 8432	RS1/16SS0R0J
		R 8433	RS1/16SS470J

Circuit Symbol and No.Part No.Circuit Symbol and No.Part No.

C 219

C 221 47 uF

C 222

CCSSCH150J50

CCG1256

CKSQYX106K10

R 8434

R 8553

R 8555

R 8557

R 8558

RS1/16SS470J

RS1/16SS103J

RS1/16SS103J

RS1/16SS472J

RS1/16SS472J

C 223

C 224

C 225

C 226

C 227

CKSQYX106K10

CKSSYB104K16

CKSSYB102K50

CCSSCH271J50

CKSSYB103K50

R 8559

R 8560

R 8564

R 8565

R 9001

RS1/16SS101J

RS1/16SS101J

RS1/16SS470J

RS1/16SS470J

RS1/16SS0R0J

C 228

C 330

C 331

C 332

C 333

CCSSCH150J50

CKSRyx105K16

CKSRyx105K16

CKSSYB104K16

CKSRyx474K16

R 9003 120 ohm

R 9010

R 9015

R 9016

R 9018

CCN1420

RS1/16SS0R0J

RS1/16SS0R0J

RS1/16SS0R0J

RS1/16SS103J

C 334

C 336

C 337

C 338

C 339

CKSRyx105K16

CKSRyx105K16

CKSSYB104K16

CKSSYB103K16

CKSRyx105K16

R 9019

R 9020

R 9021

R 9301

R 9302

RS1/16SS0R0J

RS1/16SS103J

RS1/16SS103J

RS1/16SS473J

RS1/16SS101J

C 348

C 352

C 353

C 354

C 355

CKSQYX226M16

CKSSYX105K10

CKSSYX105K10

CKSSYX105K10

CKSSYX105K10

R 9308

R 9309

R 9310

R 9311

R 9312

RS1/16SS473J

RS1/16SS473J

RS1/16SS103J

RS1/16SS0R0J

RS1/16SS683J

C 377

C 380

C 382

C 385

C 387

CKSSYX104K50

CKSSYX104K50

CKSSYX104K50

CKSSYX104K50

CKSSYX104K50

R 9313

R 9314

R 9315

R 9316

R 9319

RS1/16SS683J

RS1/16SS331J

RS1/16SS331J

RS1/4S102J

RS1/10SR0R0J

C 388

C 389

C 390

C 391

C 392 (B,C)

CKSSYX104K50

CKSSYX104K50

CKSSYX104K50

CKSSYX104K50

CKSRyx105K16

CAPACITORS

C 101 13 000 uF/16 V

C 102 13 000 uF/16 V

C 103

C 111

C 112

CCH2100

CCH2100

CKSRyx104K50

CKSRyx105K16

CKSSYB103K50

C 393 (B,C)

C 394 (B,C)

C 395 (B,C)

C 397 (A,B,C)

C 398 (A,B,C)

CKSSYB104K16

CKSSYX105K10

CKSSYB104K10

CKSSYX105K10

CKSRyx105K16

C 114

C 115

C 117

C 118

C 119

CKSSYB104K16

CKSSYB103K16

CKSSYB104K16

CKSSYB102K50

CKSSYB104K10

C 399 (A,B,C)

C 400 (A,B,C)

C 401 (A,B,C)

C 402

C 403

CKSSYB104K16

CKSQYX475K10

CKSQYX475K10

CKSRyx105K50

CKSSYB104K16

C 201

C 202

C 203 1 uF

C 204

C 205

CKSYX106K35

CKSYX106K35

CCG1404

CKSYX106K35

CKSYX106K35

C 404

C 405

C 406

C 407

C 408

CEVW101M16

CKSRyx104K50

CKSQYX475K25

CKSSYX104K50

CKSSYX104K50

C 206

C 207

C 208

C 209

C 210

CKSSYB222K50

CKSSYB104K16

CKSSYB103K16

CKSSYX105K10

CKSSYB103K16

C 409

C 410

C 411

C 412

CKSSYX104K50

CKSSYX104K50

CKSSYX104K50

CKSSYX104K50

C 212 47 uF

C 213

C 214

C 215

C 216

CCG1256

CKSQYX106K16

CKSQYX106K16

CKSSYB104K16

CKSSYB102K50

C 413

C 414

C 501

C 503

C 505

CCSSCH101J50

CCSSCH101J50

CKSQYX106K10

CKSQYX106K10

CKSSYB104K10

C 217

C 218

CCSSCH331J50

CKSSYB103K50

C 506

C 507

CKSSYB104K10

CKSSYB104K10

<u>Circuit Symbol and No.</u>	<u>Part No.</u>	<u>Circuit Symbol and No.</u>	<u>Part No.</u>
C 508	CKSQYX106K10	C 910 (B,C)	CKSSYB104K16
C 509	CKSSYB104K10	C 911 (A,B,C)	CKSSYB104K16
C 510	CKSSYX105K10	C 1051	CKSRYP334K10
		C 1052	CCSSCH101J50
C 511	CKSSYX105K10		
C 512	CKSSYX105K10	C 1053	CKSRYP105K16
C 513	CKSSYX105K10	C 1055	CCSSCH220J50
C 514	CKSSYX105K10	C 1056	CKSSYB104K10
C 515	CKSSYX105K10	C 1057	CKSQYX226M6R3
		C 1059	CKSSYB104K10
C 516	CKSSYX105K10		
C 520	CKSSYX105K10	C 1061	CKSQYX106K10
C 521	CKSSYX105K10	C 1062	CKSSYB104K16
C 522	CKSSYX105K10	C 1063	CKSSYX105K10
C 523	CKSSYX105K10	C 1064	CKSSYB102K50
		C 1065	CCSSCH6R0D50
C 524	CKSSYX105K10		
C 525	CKSSYX105K10	C 1103	CKSRYP225K10
C 526 (A)	CKSSYX105K10	C 1501	CKSQYX106K10
C 527 (A)	CKSSYX105K10	C 1502	CKSQYX106K10
C 528 (A)	CKSSYX105K10	C 1503	CKSQYX106K10
		C 1504	CKSQYX106K10
C 529	CKSSYB104K10		
C 530	CKSSYB104K10	C 1505	CKSQYX106K10
C 531	CKSSYB104K10	C 1506	CKSQYX475K10
C 532	CKSSYB104K10	C 1507	CKSQYX475K10
C 533	CKSSYB104K10	C 1512	CKSRYP475K10
		C 1514	CKSSYX105K10
C 534	CKSSYB104K10		
C 535	CKSSYB104K10	C 1516	CKSSYX104K50
C 536	CKSSYB104K10	C 1520	CCSSCH101J50
C 537	CKSSYB104K10	C 1521	CKSQYX106K10
C 538	CKSSYB104K10	C 1524	CKSSYB102K50
		C 8401	CKSSYB104K16
C 577	CCSSCH181J50		
C 701	CKSRYP105K25	C 8402	CKSSYB104K16
C 702	CKSRYP105K25	C 8403	CKSQYX106K10
C 703	CKSRYP105K25	C 8404	CKSQYX106K10
C 704	CKSRYP105K25	C 8405	CKSSYB104K16
		C 8407	CKSSYB224K6R3
C 705	CKSRYP105K25		
C 706	CKSRYP105K25	C 8408	CKSSYB102K50
C 707	CKSRYP105K25	C 8409	CKSSYB104K16
C 708	CKSRYP105K25	C 8411	CCSSCH220J50
C 709	CKSRYP105K25	C 8412	CCSSCH331J50
		C 8415	CKSSYB104K16
C 710	CKSRYP105K25		
C 712	CKSRYP105K25	C 8418	CCSSCH102J50
C 713	CKSRYP105K25	C 8419	CCSSCH471J50
C 803	CCSSCH120J50	C 8423	CKSSYB152K50
C 804	CCSSCH820J50	C 8427	CCSSCH100D50
		C 8551	CKSSYB104K16
C 805	CCSSCH120J50		
C 806	CKSRYP104K50	C 8552	CKSSYB104K16
C 807	CKSRYP104K50	C 8553	CKSQYX106K10
C 808	CKSRYP473K50	C 8554	CKSQYX106K10
C 809	CCSSCH102J50	C 8555	CKSSYB104K16
		C 8557	CKSSYB224K6R3
C 810	CKSRYP225K16		
C 811	CCSSCH102J50	C 8558	CKSSYB102K50
C 812	CCSSCH470J50	C 8559	CKSSYB104K16
C 813	CCSSCH101J50	C 8561	CCSSCH220J50
C 814	CCSSCH470J50	C 8562	CCSSCH331J50
		C 8565	CKSSYB104K16
C 815	CCSSCH101J50		
C 903 (B,C)	CKSSYB104K10	C 8577	CCSSCH100D50
C 905 (A,B,C)	CKSQYX106K10	C 9002	CKSSYX105K10
C 906 (A,B,C)	CKSSYB104K10	C 9003	CKSSYX105K10
C 907 (A,B,C)	CKSQYX106K10	C 9004	CKSSYX105K10
		C 9005	CKSSYX105K10
C 908 (A,B,C)	CKSSYB104K10		

Circuit Symbol and No.**Part No.****Circuit Symbol and No.****Part No.**

C 9006	CKSSYX105K10	IC 6701	DC/DC Converter IC	ISL78233ARZ
C 9007	CKSSYX105K10	IC 6703	DC/DC Converter IC	LTC3614EUDD
C 9008	CKSSYX105K10	IC 6704	Regulator IC	MM3479A30P
C 9009	CKSSYX105K10	IC 6705	Buffer Logic IC	TC7SZ07FUS1
C 9012	CKSSYX105K10	IC 6706	Reset IC	PST8429N

C 9013	CKSSYX105K10	IC 6708	Regulator IC	MM3479A12P
C 9014	CKSSYX105K10	IC 6710	Regulator IC	MM3411A18N
C 9015	CKSSYX105K10	IC 6712	Regulator IC	MM3411A18N
C 9016	CKSSYX105K10	IC 6714	Logic IC	TC7SH08FUS2
C 9017	CKSSYX105K10	IC 6901	Microprocessor IC	MCIMX6D6AVT10AE

C 9018	CKSSYX105K10	IC 7201	RAM IC	H5TQ4G63CFR-RDC
C 9019	CCSSCH330J50	IC 7202	RAM IC	H5TQ4G63CFR-RDC
C 9020	CKSSYX104K50	IC 7301	RAM IC	H5TQ4G63CFR-RDC
C 9021	100 uF/16 V	IC 7302	RAM IC	H5TQ4G63CFR-RDC
C 9022	CKSSYX104K50	IC 7401	Flash ROM Unit	CVQ1077

C 9023	CEVW101M16	IC 7501	FPGA/PLD IC	PE1039A
C 9024	CEVW101M16	IC 7502	Logic IC	TC7WU04FUS1
C 9025	CKSSYB104K10	IC 7701	Logic IC	NLV17SGU04DFG
C 9026	CEVW100M16	IC 7801	IC	337S3959
C 9027	CKSSYB104K10	Q 6703	Chip Transistor	2SB1689

C 9029	4.7 uF/16 V	Q 6704	Resistor Built-in Transistor	LTC044EEB
C 9032	CKSSYX104K50	Q 6706	Chip Transistor	2SB1689
C 9033	CKSSYX104K50	Q 6708	Resistor Built-in Transistor	LTC044EEB
C 9034	CKSSYB153K16	Q 6710	Chip Transistor	2SB1689
C 9035	CKSSYX105K10	Q 6712	Resistor Built-in Transistor	LTC044EEB

C 9036	CKSSYX105K10	L 6701	SMD SPL Inductor	CTH1499
C 9037	CKSRX105K25	L 6703	Choke Coil	CTH1591
C 9038	CCSSCH102J50	L 6713	Chip Beads	VTL1132
C 9041	CKSRX105K16	L 7702	Chip Beads	VTL1132
C 9042	CKSSYX105K10	L 7705	Chip Beads	VTL1132

C 9049	CCSSCH101J50	L 7801	Ferrite Bead	CTF1528
C 9201	0.68 uF/16 V	L 7901	SMD Ferrite Beads	CTF1868
C 9202	CKSRX105K10	TH7201	Thermistor	CCX1084
C 9203	CKSRX105K10	X 6901	Resonator 24 MHz	CSS1773
C 9204	0.68 uF/16 V	X 6902	Resonator 32.768 kHz	CSS1807

C 9206	10 uF/25 V	X 7501	Crystal Resonator 14.7456 MHz	CSS1835
C 9208	2.2 uF	X 7701	Resonator 32.768 kHz	CSS1807
C 9209	6 800 uF/16 V	X 7801	VCXO 11.2896 MHz	CWX4566
C 9211	CKSRX104K50	U 7701	Wi-Fi Module	CWX4921
C 9212	CKSRX104K50	CN7701	B to W Connector	CKS6508

C 9213	0.47 uF/16 V	CN7702	B to W Connector	CKS6508
C 9217	0.1 uF	CN7901	B to B Connector	CKS6674
C 9220	CKSSYB221K50			
C 9221	CKSSYB221K50			
C 9222	CKSSYB221K50			

C 9223	CKSSYB221K50	R 6701		RS1/8SQ0R0J
C 9224	CKSSYB221K50	R 6704		XRS1/16SS104J
C 9225	CKSSYB221K50	R 6705		XRS1/16SS2201D
C 9226	CKSSYB221K50	R 6707		XRS1/16SS1003D
C 9227	CKSSYB221K50	R 6708		XRS1/16SS104J

C 9303	CKSQYX106K10	R 6709		XRS1/16SS0R0J
C 9304	CKSQYX475K10	R 6710		XRS1/16SS8202D
		R 6711		XRS1/16SS1503D
		R 6712		XRS1/16SS0R0J
		R 6732		XRS1/16SS103J

B
Unit Number: CWF1715
Unit Name : SOC Unit

MISCELLANEOUS

<u>Circuit Symbol and No.</u>	<u>Part No.</u>	<u>Circuit Symbol and No.</u>	<u>Part No.</u>
R 6741	XRS1/16SS0R0J	R 6930	XRS1/16SS0R0J
R 6742	XRS1/16SS1003D	R 6931	XRS1/16SS151J
R 6743	XRS1/16SS1002D	R 6932	XRS1/16SS0R0J
R 6744	XRS1/16SS1503D	R 6933	XRS1/16SS0R0J
R 6745	XRS1/16SS1203D	R 6934	XRS1/16SS680J
R 6746	XRS1/16SS0R0J	R 6935	XRS1/16SS680J
R 6747	XRS1/16SS473J	R 6936	XRS1/16SS680J
R 6748	XRS1/10SR102J	R 6937	XRS1/16SS680J
R 6751	XRS1/16SS0R0J	R 6938	XRS1/16SS680J
R 6752	RS1/8SQ0R0J	R 6939	XRS1/16SS680J
R 6753	RS1/8SQ0R0J	R 6940	XRS1/16SS680J
R 6754	RS1/8SQ0R0J	R 6941	XRS1/16SS680J
R 6758	XRS1/16SS103J	R 6942	XRS1/16SS0R0J
R 6759	XRS1/10SR0R0J	R 6943	XRS1/16SS0R0J
R 6760	XRS1/16SS103J	R 6951	XRS1/16SS101J
R 6761	XRS1/16SS101J	R 6952	XRS1/16SS151J
R 6764	XRS1/16SS0R0J	R 6954	XRS1/16SS472J
R 6773	XRS1/16SS103J	R 6955	XRS1/16SS103J
R 6775	XRS1/16SS470J	R 6956	XRS1/16SS103J
R 6778	XRS1/16SS222J	R 6957	XRS1/16SS103J
R 6779	XRS1/10SR104J	R 6958	XRS1/16SS103J
R 6782	XRS1/10SR331J	R 6959	XRS1/16SS103J
R 6795	XRS1/16SS222J	R 6960	XRS1/16SS103J
R 6799	XRS1/16SS0R0J	R 6961	XRS1/16SS0R0J
R 6801	XRS1/16SS0R0J	R 6962	XRS1/16SS391J
R 6802	XRS1/10SR332J	R 6963	XRS1/16SS103J
R 6803	XRS1/16SS332J	R 6964	XRS1/16SS103J
R 6809	XRS1/16SS0R0J	R 6966	XRS1/16SS103J
R 6813	XRS1/10SR152J	R 6967	XRS1/16SS472J
R 6815	XRS1/10SR332J	R 6968	XRS1/16SS472J
R 6816	XRS1/16SS0R0J	R 6969	XRS1/16SS820J
R 6820	XRS1/16SS104J	R 6970	XRS1/16SS472J
R 6822	XRS1/10SR681J	R 6971	XRS1/16SS0R0J
R 6826	XRS1/10SR334J	R 6972	XRS1/16SS390J
R 6828	XRS1/10SR221J	R 6973	XRS1/16SS103J
R 6832	XRS1/10SR680J	R 6974	XRS1/16SS103J
R 6834	XRS1/16SS101J	R 6975	XRS1/16SS360J
R 6835	XRS1/16SS0R0J	R 6976	XRS1/16SS360J
R 6838	XRS1/16SS0R0J	R 6977	XRS1/16SS0R0J
R 6841	XRS1/16SS103J	R 6978	XRS1/16SS360J
R 6844	XRS1/16SS0R0J	R 6979	XRS1/16SS0R0J
R 6901	XRS1/16SS820J	R 6980	XRS1/16SS0R0J
R 6902	XRS1/16SS820J	R 6981	XRS1/16SS0R0J
R 6903	XRS1/16SS820J	R 6986	XRS1/16SS101J
R 6904	XRS1/16SS820J	R 6988	XRS1/16SS0R0J
R 6905	XRS1/16SS820J	R 6991	XRS1/16SS225J
R 6906	XRS1/16SS820J	R 6993	XRS1/16SS820J
R 6907	XRS1/16SS470J	R 6996	XRS1/16SS360J
R 6908	XRS1/16SS0R0J	R 6997	XRS1/16SS360J
R 6911	XRS1/16SS103J	R 6998	XRS1/16SS221J
R 6912	XRS1/16SS472J	R 6999	XRS1/16SS180J
R 6915	XRS1/16SS224J	R 7000	XRS1/16SS470J
R 6917	XRS1/16SS472J	R 7001	XRS1/16SS150J
R 6919	XRS1/16SS103J	R 7002	XRS1/16SS150J
R 6922	XRS1/16SS560J	R 7003	XRS1/16SS220J
R 6924	XRS1/16SS0R0J	R 7004	XRS1/16SS180J
R 6926	XRS1/16SS0R0J	R 7005	XRS1/16SS472J
R 6927	XRS1/16SS0R0J	R 7006	XRS1/16SS180J
R 6928	XRS1/16SS0R0J	R 7007	XRS1/16SS180J
R 6929	XRS1/16SS102J		

	<u>Circuit Symbol and No.</u>	<u>Part No.</u>	<u>Circuit Symbol and No.</u>	<u>Part No.</u>
	R 7009	XRS1/16SS101J	R 7074 R 7075	XRS1/16SS470J XRS1/16SS470J
A	R 7011	XRS1/16SS103J		
	R 7012	XRS1/16SS151J	R 7076	XRS1/16SS470J
	R 7013	XRS1/16SS0R0J	R 7077	XRS1/16SS470J
	R 7014	XRS1/16SS0R0J	R 7078	XRS1/16SS470J
	R 7015	XRS1/16SS0R0J	R 7079 R 7080	XRS1/16SS470J XRS1/16SS470J
	R 7016	XRS1/16SS0R0J		
	R 7017	XRS1/16SS0R0J	R 7081	XRS1/16SS470J
	R 7018	XRS1/16SS270J	R 7082	XRS1/16SS470J
	R 7020	XRS1/16SS0R0J	R 7083	XRS1/16SS470J
	R 7021	XRS1/16SS151J	R 7084 R 7085	XRS1/16SS470J XRS1/16SS470J
	R 7022	XRS1/16SS121J		
B	R 7023	XRS1/16SS680J	R 7086	XRS1/16SS101J
	R 7024	XRS1/16SS121J	R 7087	XRS1/16SS470J
	R 7025	XRS1/16SS103J	R 7088	XRS1/16SS470J
	R 7026	XRS1/16SS121J	R 7089 R 7090	XRS1/16SS470J XRS1/16SS470J
	R 7027	XRS1/16SS101J		
	R 7028	XRS1/16SS101J	R 7091	XRS1/16SS470J
	R 7029	XRS1/16SS101J	R 7092	XRS1/16SS470J
	R 7030	XRS1/16SS560J	R 7093	XRS1/16SS470J
	R 7031	XRS1/16SS681J	R 7094 R 7095	XRS1/16SS470J XRS1/16SS470J
	R 7033	XRS1/16SS151J		
	R 7034	XRS1/16SS331J	R 7096	XRS1/16SS470J
C	R 7035	XRS1/16SS331J	R 7097	XRS1/16SS103J
	R 7036	XRS1/16SS331J	R 7099	XRS1/16SS472J
	R 7037	XRS1/16SS331J	R 7100 R 7101	XRS1/16SS103J XRS1/16SS103J
	R 7038	XRS1/16SS470J		
	R 7039	XRS1/16SS101J	R 7102	XRS1/16SS103J
	R 7040	XRS1/16SS680J	R 7103	XRS1/16SS472J
	R 7041	XRS1/16SS103J	R 7104	XRS1/16SS103J
	R 7042	XRS1/16SS680J	R 7105 R 7106	XRS1/16SS103J XRS1/16SS103J
	R 7043	XRS1/16SS680J		
	R 7044	XRS1/16SS680J	R 7107	XRS1/16SS103J
	R 7045	XRS1/16SS101J	R 7108	XRS1/16SS103J
D	R 7046	XRS1/16SS0R0J	R 7109	XRS1/16SS103J
	R 7047	XRS1/16SS0R0J	R 7110 R 7112	XRS1/16SS103J XRS1/16SS0R0J
	R 7048	XRS1/16SS0R0J		
	R 7049	XRS1/16SS101J	R 7115	XRS1/16SS101J
	R 7050	XRS1/16SS101J	R 7117	XRS1/16SS103J
	R 7051	XRS1/16SS101J	R 7119	XRS1/16SS103J
	R 7052	XRS1/16SS182J	R 7120 R 7121	XRS1/16SS103J XRS1/16SS103J
	R 7053	XRS1/16SS182J		
	R 7054	XRS1/16SS101J	R 7122	XRS1/16SS103J
	R 7056	XRS1/16SS0R0J	R 7123	XRS1/16SS103J
	R 7057	XRS1/16SS101J	R 7124	XRS1/16SS103J
E	R 7058	XRS1/16SS820J	R 7125 R 7126	XRS1/16SS103J XRS1/16SS103J
	R 7059	XRS1/16SS820J		
	R 7060	XRS1/16SS820J	R 7127	XRS1/16SS103J
	R 7061	XRS1/16SS820J	R 7128	XRS1/16SS2400F
	R 7062	XRS1/16SS820J	R 7129	XRS1/16SS1001D
	R 7063	XRS1/16SS470J	R 7130 R 7131	XRS1/16SS1001D XRS1/16SS103J
	R 7064	XRS1/16SS470J		
	R 7065	XRS1/16SS470J	R 7132	XRS1/10SR103J
	R 7066	XRS1/16SS820J	R 7133	XRS1/16SS103J
	R 7067	XRS1/16SS820J	R 7134	XRS1/16SS103J
	R 7068	XRS1/16SS820J	R 7135 R 7136	XRS1/16SS103J XRS1/16SS103J
F	R 7071	XRS1/16SS0R0J		
	R 7072	XRS1/16SS470J	R 7137	XRS1/16SS103J
	R 7073	XRS1/16SS470J	R 7138	XRS1/16SS103J

<u>Circuit Symbol and No.</u>	<u>Part No.</u>	<u>Circuit Symbol and No.</u>	<u>Part No.</u>
R 7140	XRS1/16SS103J	R 7516	XRS1/16SS101J
R 7141	XRS1/16SS0R0J	R 7517	XRS1/16SS101J
R 7142	XRS1/16SS0R0J	R 7518	XRS1/16SS471J
		R 7519	XRS1/16SS0R0J
R 7143	XRS1/16SS103J		
R 7144	XRS1/16SS103J	R 7520	XRS1/16SS821J
R 7146	XRS1/16SS0R0J	R 7521	XRS1/16SS105J
R 7147	XRS1/16SS0R0J	R 7522	XRS1/16SS471J
R 7148	XRS1/16SS103J	R 7523	XRS1/16SS220J
		R 7524	XRS1/16SS102J
R 7149	XRS1/16SS103J		
R 7150	XRS1/16SS103J	R 7525	XRS1/16SS0R0J
R 7151	XRS1/16SS103J	R 7526	XRS1/16SS0R0J
R 7157	XRS1/16SS222J	R 7527	XRS1/16SS472J
R 7158	XRS1/16SS222J	R 7528	XRS1/16SS0R0J
		R 7529	XRS1/16SS0R0J
R 7162	XRS1/16SS103J		
R 7163	XRS1/16SS0R0J	R 7530	XRS1/16SS0R0J
R 7164	XRS1/16SS0R0J	R 7531	XRS1/16SS0R0J
R 7167	XRS1/16SS103J	R 7532	XRS1/16SS0R0J
R 7168	XRS1/16SS0R0J	R 7533	XRS1/16SS0R0J
		R 7534	XRS1/16SS0R0J
R 7169	XRS1/16SS0R0J		
R 7170	XRS1/16SS0R0J	R 7535	XRS1/16SS0R0J
R 7171	XRS1/16SS0R0J	R 7536	XRS1/16SS330J
R 7172	XRS1/16SS0R0J	R 7537	XRS1/16SS0R0J
R 7173	XRS1/16SS0R0J	R 7538	XRS1/16SS561J
		R 7539	XRS1/16SS561J
R 7201	XRS1/16SS1200D		
R 7202	XRS1/16SS2400F	R 7540	XRS1/16SS561J
R 7203	XRS1/16SS2400F	R 7541	RAB4CQ221J
R 7204	XRS1/16SS102J	R 7542	RAB4CQ221J
R 7205	XRS1/16SS102J	R 7546	XRS1/16SS0R0J
		R 7547	XRS1/16SS0R0J
R 7207	XRS1/16SS0R0J		
R 7208	XRS1/16SS1802D	R 7548	XRS1/16SS471J
R 7301	XRS1/16SS1200D	R 7549	RAB4CQ221J
R 7302	XRS1/16SS2400F	R 7550	RAB4CQ221J
R 7303	XRS1/16SS2400F	R 7551	XRS1/16SS0R0J
		R 7552	XRS1/16SS0R0J
R 7304	XRS1/16SS102J		
R 7305	XRS1/16SS102J	R 7553	XRS1/16SS0R0J
R 7401	XRS1/16SS102J	R 7554	XRS1/16SS0R0J
R 7402	XRS1/16SS0R0J	R 7555	XRS1/16SS0R0J
R 7403	XRS1/16SS151J	R 7556	XRS1/16SS0R0J
		R 7557	XRS1/16SS0R0J
R 7421	RAB4CQ331J		
R 7422	RAB4CQ331J	R 7558	XRS1/16SS0R0J
R 7423	RAB4CQ331J	R 7559	XRS1/16SS472J
R 7424	RAB4CQ331J	R 7560	XRS1/16SS471J
R 7425	XRS1/16SS151J	R 7566	XRS1/16SS221J
		R 7569	XRS1/16SS221J
R 7426	XRS1/16SS151J		
R 7427	XRS1/16SS101J	R 7570	XRS1/16SS0R0J
R 7501	XRS1/16SS103J	R 7573	XRS1/16SS101J
R 7502	XRS1/16SS103J	R 7575	XRS1/16SS472J
R 7503	XRS1/16SS224J	R 7577	XRS1/16SS101J
		R 7578	XRS1/16SS0R0J
R 7504	XRS1/16SS103J		
R 7505	XRS1/16SS103J	R 7579	XRS1/16SS471J
R 7506	XRS1/16SS222J	R 7580	XRS1/16SS471J
R 7507	XRS1/16SS103J	R 7581	XRS1/16SS471J
R 7509	XRS1/16SS222J	R 7583	XRS1/16SS101J
		R 7587	XRS1/16SS222J
R 7510	XRS1/16SS471J		
R 7511	XRS1/16SS471J	R 7588	XRS1/16SS222J
R 7512	XRS1/16SS0R0J	R 7592	XRS1/16SS222J
R 7513	XRS1/16SS0R0J	R 7593	XRS1/16SS222J
R 7514	XRS1/16SS681J	R 7594	XRS1/16SS222J
		R 7595	XRS1/16SS222J
R 7515	XRS1/16SS471J		

Circuit Symbol and No.Part No.Circuit Symbol and No.Part No.

R 7709 XRS1/16SS271J
 R 7713 XRS1/16SS106J
 R 7714 XRS1/16SS105J
 R 7716 XRS1/16SS0R0J
 R 7720 XRS1/16SS120J

R 7951
 R 7952
 R 7953

XRS1/16SS0R0J
 XRS1/16SS0R0J
 XRS1/16SS0R0J

CAPACITORS

R 7722 XRS1/16SS0R0J
 R 7723 XRS1/16SS120J
 R 7724 XRS1/16SS120J
 R 7725 XRS1/16SS120J
 R 7726 XRS1/16SS120J

C 6704
 C 6706
 C 6707 47 uF
 C 6708
 C 6710

CKSSYB223K16
 CCSSCH181J50
 CCG1256
 CKSYX107M6R3
 CCSTCH220J50

R 7729 XRS1/16SS0R0J
 R 7734 XRS1/16SS331J
 R 7735 XRS1/16SS331J
 R 7736 XRS1/16SS103J
 R 7737 XRS1/16SS103J

C 6711 10 000 pF
 C 6713
 C 6730
 C 6733
 C 6734 47 uF

CCG1392
 CCSTCH100D50
 CKSRYX105K25
 CCSSCH331J50
 CCG1256

R 7738 XRS1/16SS103J
 R 7739 XRS1/16SS103J
 R 7740 XRS1/16SS103J
 R 7741 XRS1/16SS103J
 R 7742 XRS1/16SS103J

C 6735
 C 6736
 C 6737
 C 6738 10 000 pF
 C 6742 10 000 pF

CKSYX107M6R3
 CKSYX476M6R3
 CCSTCH220J50
 CCG1392
 CCG1392

R 7745 XRS1/16SS103J
 R 7746 XRS1/16SS103J
 R 7747 XRS1/16SS103J
 R 7748 XRS1/16SS103J
 R 7749 XRS1/16SS470J

C 6743 10 000 pF
 C 6744
 C 6745
 C 6746
 C 6750

CCG1392
 CKSRYX475K10
 CKSRYX475K10
 CKSSYB473K16
 CCSTCH101J50

R 7757 XRS1/16SS271J
 R 7758 XRS1/16SS271J
 R 7764 RAB4CQ103J
 R 7765 XRS1/16SS103J
 R 7766 XRS1/16SS0R0J

C 6751 0.1 uF
 C 6752 0.1 uF
 C 6753
 C 6756
 C 6757 4.7 uF

CCG1372
 CCG1372
 CKSSYB222K50
 CKSRYX475K10
 CCG1212

R 7801 XRS1/16SS103J
 R 7806 XRS1/16SS472J
 R 7807 XRS1/10SR0R0J
 R 7810 XRS1/16SS0R0J
 R 7811 XRS1/16SS560J

C 6758
 C 6763
 C 6764
 C 6767
 C 6769

CKSSYB473K16
 CKSRYX105K25
 CKSRYX106M6R3
 CKSRYX105K25
 CKSRYX105K25

R 7813 XRS1/16SS0R0J
 R 7814 XRS1/16SS0R0J
 R 7817 XRS1/16SS0R0J
 R 7818 XRS1/16SS103J
 R 7819 XRS1/16SS103J

C 6770 0.1 uF
 C 6772 0.1 uF
 C 6774 0.1 uF
 C 6776 0.1 uF
 C 6777

CCG1372
 CCG1372
 CCG1372
 CCG1372
 CCSTCH101J50

R 7820 XRS1/16SS103J
 R 7822 XRS1/16SS431J
 R 7823 XRS1/16SS102J
 R 7824 XRS1/16SS103J
 R 7825 XRS1/16SS102J

C 6778
 C 6779
 C 6780
 C 6901
 C 6902

CCSTCH101J50
 CCSTCH101J50
 CCSTCH101J50
 CCSTCH5R0C50
 CCSTCH5R0C50

R 7828 XRS1/16SS683J
 R 7836 XRS1/16SS101J
 R 7837 XRS1/16SS101J
 R 7901 XRS1/16SS0R0J
 R 7902 XRS1/16SS0R0J

C 6903
 C 6904
 C 6905 10 uF
 C 6906 0.1 uF
 C 6907

CCSTCH180J50
 CCSTCH4R0C50
 CCG1192
 CCG1372
 CKSRYB224K16

R 7905 XRS1/16SS0R0J
 R 7914 XRS1/10SR0R0J
 R 7915 XRS1/10SR0R0J
 R 7916 XRS1/16SS103J
 R 7917 XRS1/16SS103J

C 6909 0.1 uF
 C 6910 10 uF
 C 6911 0.1 uF
 C 6912 0.1 uF
 C 6913 10 uF

CCG1372
 CCG1192
 CCG1372
 CCG1372
 CCG1234

R 7934 XRS1/16SS220J
 R 7945 XRS1/16SS0R0J
 R 7946 XRS1/16SS0R0J
 R 7949 XRS1/10SR0R0J
 R 7950 XRS1/16SS0R0J

C 6914 0.1 uF
 C 6915 0.1 uF
 C 6918 0.1 uF
 C 6919 0.1 uF

CCG1372
 CCG1372
 CCG1372
 CCG1372

<u>Circuit Symbol and No.</u>		<u>Part No.</u>	<u>Circuit Symbol and No.</u>		<u>Part No.</u>
C 6920	0.1 uF	CCG1372	C 7205	0.1 uF	CCG1372
C 6921	0.1 uF	CCG1372	C 7206	0.1 uF	CCG1372
C 6922	0.1 uF	CCG1372	C 7207	0.1 uF	CCG1372
C 6923	0.1 uF	CCG1372	C 7208	0.1 uF	CCG1372
C 6924	0.1 uF	CCG1372	C 7209	4.7 uF	CCG1212
C 6925	0.1 uF	CCG1372	C 7210	0.1 uF	CCG1372
C 6926	0.1 uF	CCG1372	C 7211	0.1 uF	CCG1372
C 6927	0.1 uF	CCG1372	C 7212	0.1 uF	CCG1372
C 6929	0.1 uF	CCG1372	C 7213	0.1 uF	CCG1372
C 6930	1 uF	DCH1246	C 7214	0.1 uF	CCG1372
C 6931	0.1 uF	CCG1372	C 7215	0.1 uF	CCG1372
C 6932		CKSSYB224K6R3	C 7216	0.1 uF	CCG1372
C 6934	0.1 uF	CCG1372	C 7217	4.7 uF	CCG1212
C 6936		CKSSYB224K6R3	C 7218	0.1 uF	CCG1372
C 6937	0.1 uF	CCG1372	C 7219	0.1 uF	CCG1372
C 6938	1 uF	DCH1246	C 7220	0.1 uF	CCG1372
C 6939	0.1 uF	CCG1372	C 7221	0.1 uF	CCG1372
C 6940	0.1 uF	CCG1372	C 7222	0.1 uF	CCG1372
C 6941	0.1 uF	CCG1372	C 7223	0.1 uF	CCG1372
C 6942	0.1 uF	CCG1372	C 7224	0.1 uF	CCG1372
C 6943	0.1 uF	CCG1372	C 7225	0.1 uF	CCG1372
C 6944	0.1 uF	CCG1372	C 7226	0.1 uF	CCG1372
C 6945	0.1 uF	CCG1372	C 7227	0.1 uF	CCG1372
C 6947	0.1 uF	CCG1372	C 7228	0.1 uF	CCG1372
C 6948	0.1 uF	CCG1372	C 7229	0.1 uF	CCG1372
C 6950	0.1 uF	CCG1372	C 7230	0.1 uF	CCG1372
C 6951	22 uF	CCG1408	C 7231	0.1 uF	CCG1372
C 6952	22 uF	CCG1408	C 7232	0.1 uF	CCG1372
C 6953	22 uF	CCG1408	C 7233	4.7 uF	CCG1212
C 6954	10 uF	CCG1234	C 7234	0.1 uF	CCG1372
C 6955	0.1 uF	CCG1372	C 7235	0.1 uF	CCG1372
C 6956	10 uF	CCG1192	C 7236	0.1 uF	CCG1372
C 6957	10 uF	CCG1234	C 7237	0.1 uF	CCG1372
C 6958	0.1 uF	CCG1372	C 7238	0.1 uF	CCG1372
C 6959	0.1 uF	CCG1372	C 7239	0.1 uF	CCG1372
C 6962	0.1 uF	CCG1372	C 7240	0.1 uF	CCG1372
C 6963	0.1 uF	CCG1372	C 7241	0.1 uF	CCG1372
C 6964	10 uF	CCG1234	C 7242	0.1 uF	CCG1372
C 6965	0.1 uF	CCG1372	C 7243	0.1 uF	CCG1372
C 6966	0.1 uF	CCG1372	C 7244	0.1 uF	CCG1372
C 6967	0.1 uF	CCG1372	C 7245	0.1 uF	CCG1372
C 6968	0.1 uF	CCG1372	C 7246	0.1 uF	CCG1372
C 6969		CKSSYX474K6R3	C 7247	0.1 uF	CCG1372
C 6970	0.1 uF	CCG1372	C 7248	0.1 uF	CCG1372
C 6971	0.1 uF	CCG1372	C 7249	0.1 uF	CCG1372
C 6972	10 uF	CCG1192	C 7250	0.1 uF	CCG1372
C 6973	10 uF	CCG1192	C 7251	0.1 uF	CCG1372
C 6974	0.1 uF	CCG1372	C 7252	4.7 uF	CCG1212
C 6975	0.1 uF	CCG1372	C 7253	0.1 uF	CCG1372
C 6976	10 uF	CCG1192	C 7254	0.1 uF	CCG1372
C 6977	4.7 uF	CCG1212	C 7255	0.1 uF	CCG1372
C 6978	0.1 uF	CCG1372	C 7256	0.1 uF	CCG1372
C 6979		CCSTCH101J50	C 7257	10 000 pF	CCG1392
C 6980	0.1 uF	CCG1372	C 7258	10 000 pF	CCG1392
C 6985	4.7 uF	CCG1212	C 7261	0.1 uF	CCG1372
C 7201	0.1 uF	CCG1372	C 7262	0.1 uF	CCG1372
C 7202	0.1 uF	CCG1372	C 7263	0.1 uF	CCG1372
C 7203	0.1 uF	CCG1372	C 7264	0.1 uF	CCG1372
C 7204	0.1 uF	CCG1372	C 7265	0.1 uF	CCG1372

	<u>Circuit Symbol and No.</u>	<u>Part No.</u>	<u>Circuit Symbol and No.</u>	<u>Part No.</u>
	C 7266 0.1 uF	CCG1372	C 7360 0.1 uF	CCG1372
	C 7301 0.1 uF	CCG1372	C 7361 0.1 uF	CCG1372
A	C 7302 0.1 uF	CCG1372	C 7362 0.1 uF	CCG1372
			C 7365 0.1 uF	CCG1372
	C 7303 0.1 uF	CCG1372		
	C 7304 0.1 uF	CCG1372	C 7401	CKSSYB471K50
	C 7305 0.1 uF	CCG1372	C 7402 0.1 uF	CCG1372
	C 7306 0.1 uF	CCG1372	C 7403 10 000 pF	CCG1392
	C 7307 0.1 uF	CCG1372	C 7409 10 000 pF	CCG1392
			C 7501	CCSTCH100D50
	C 7308 0.1 uF	CCG1372		
	C 7309 4.7 uF	CCG1212	C 7502	CCSTCH100D50
	C 7310 0.1 uF	CCG1372	C 7503 10 000 pF	CCG1392
	C 7311 0.1 uF	CCG1372	C 7504 1 uF	DCH1246
	C 7312 0.1 uF	CCG1372	C 7505 1 uF	DCH1246
			C 7506 1 uF	DCH1246
B	C 7313 0.1 uF	CCG1372		
	C 7314 0.1 uF	CCG1372	C 7507 0.1 uF	CCG1372
	C 7315 0.1 uF	CCG1372	C 7508 10 000 pF	CCG1392
	C 7316 0.1 uF	CCG1372	C 7509 10 000 pF	CCG1392
	C 7317 4.7 uF	CCG1212	C 7510	CKSSYB471K50
			C 7512 10 000 pF	CCG1392
	C 7318 0.1 uF	CCG1372		
	C 7319 0.1 uF	CCG1372	C 7513 10 000 pF	CCG1392
	C 7320 0.1 uF	CCG1372	C 7514 10 000 pF	CCG1392
	C 7321 0.1 uF	CCG1372	C 7515 10 000 pF	CCG1392
	C 7322 0.1 uF	CCG1372	C 7516 10 000 pF	CCG1392
			C 7517 10 000 pF	CCG1392
C	C 7323 0.1 uF	CCG1372		
	C 7324 0.1 uF	CCG1372	C 7518 10 000 pF	CCG1392
	C 7325 0.1 uF	CCG1372	C 7519 10 000 pF	CCG1392
	C 7326 0.1 uF	CCG1372	C 7520 10 000 pF	CCG1392
	C 7327 0.1 uF	CCG1372	C 7521 10 000 pF	CCG1392
			C 7522 10 000 pF	CCG1392
	C 7328 0.1 uF	CCG1372		
	C 7329 0.1 uF	CCG1372	C 7523 10 000 pF	CCG1392
	C 7330 0.1 uF	CCG1372	C 7524 10 000 pF	CCG1392
	C 7331 0.1 uF	CCG1372	C 7525 10 000 pF	CCG1392
	C 7332 0.1 uF	CCG1372	C 7526 10 000 pF	CCG1392
			C 7527 0.1 uF	CCG1372
	C 7333 4.7 uF	CCG1212		
D	C 7334 0.1 uF	CCG1372	C 7528 10 uF	CCG1192
	C 7335 0.1 uF	CCG1372	C 7530 10 000 pF	CCG1392
	C 7336 0.1 uF	CCG1372	C 7531 10 uF	CCG1192
	C 7337 0.1 uF	CCG1372	C 7532 0.1 uF	CCG1372
			C 7703	CCSTCH100D50
	C 7338 0.1 uF	CCG1372		
	C 7339 0.1 uF	CCG1372	C 7705	CCSTCH150J50
	C 7341 0.1 uF	CCG1372	C 7706	CCSTCH150J50
	C 7342 0.1 uF	CCG1372	C 7707 0.1 uF	CCG1372
	C 7343 0.1 uF	CCG1372	C 7712 0.1 uF	CCG1372
			C 7713 10 000 pF	CCG1392
	C 7344 0.1 uF	CCG1372		
	C 7345 0.1 uF	CCG1372	C 7714 4.7 uF	CCG1212
E	C 7346 0.1 uF	CCG1372	C 7715 10 000 pF	CCG1392
	C 7347 0.1 uF	CCG1372	C 7723 0.1 uF	CCG1372
	C 7348 0.1 uF	CCG1372	C 7724 10 000 pF	CCG1392
			C 7726	CCSTCH100D50
	C 7349 0.1 uF	CCG1372		
	C 7350 0.1 uF	CCG1372	C 7801 1 uF	DCH1246
	C 7351 0.1 uF	CCG1372	C 7802 0.1 uF	CCG1372
	C 7352 4.7 uF	CCG1212	C 7803 0.1 uF	CCG1372
	C 7353 0.1 uF	CCG1372	C 7804 1 000 pF	CCG1375
			C 7809 10 000 pF	CCG1392
	C 7354 0.1 uF	CCG1372		
	C 7355 0.1 uF	CCG1372	C 7813	CCSSCH101J50
	C 7356 0.1 uF	CCG1372	C 7814	CCSSCH101J50
F	C 7357 10 000 pF	CCG1392	C 7901	CKSQYX226M10
	C 7358 10 000 pF	CCG1392	C 7903	CKSQYX226M10
			C 7907	CKSSYB102K50
	C 7359 0.1 uF	CCG1372		

Circuit Symbol and No.**Part No.****Circuit Symbol and No.****Part No.**

C 7908

CKSSYB102K50

R 1223

RS1/16SS561J

**Unit Number: CWX4717****Unit Name : DVD Core Unit**

R 1225

RS1/16SS471J

R 1251

RS1/16SS333J

R 1252

RS1/16SS473J

R 1253

RS1/16SS333J

R 1254

RS1/16SS473J

R 1255

RS1/16SS183J

R 1256

RS1/16SS153J

R 1257

RS1/16SS221J

MISCELLANEOUS

IC 1002 Regulator IC

MM1886A50P

IC 1003 IC

S-1200B50-M5

IC 1004 IC

NJM2855DL1-33

IC 1251 IC

BA5839FP

IC 1401 Flash ROM Unit

CWJ3337

IC 1402 Flash ROM Unit

CWJ3338

IC 1480 RAM IC

M12L64164A-5TG2Y

IC 1501 IC

MN2DS0018MA

IC 1801 D/A Converter

PCM1753DBQ

IC 1953 IC

S-1135D12-A6

Q 1101 Bipolar Transistor

LSCR523UB

Q 1102 Bipolar Transistor

LSCR523UB

Q 1103 Transistor

2SAR293PGZE

Q 1104 Transistor

2SAR293PGZE

L 1501 Inductor

CTF1743

L 1511 Chip Beads

VTL1126

L 1902 Inductor

CTF1487

L 1903 Inductor

CTF1558

L 1904 Resistor

RS1/16SS0R0J

X 1501 Crystal Resonator

CSS1823

F 1001 Chip EMI Filter

DTF1106

F 1002 Chip EMI Filter

DTL1106

S 1 Lever Switch

CSN1090

S 3 Lever Switch

CSN1089

VR1101 SMD Semi Fixed VR

CCP1587

VR1102 SMD Semi Fixed VR

CCP1589

CN1101 FFC/FPC Connector

CKS6776

CN1952 Connector

CKS4926

RESISTORS

R 1004

RS1/16SS4702F

R 1007

RS1/16SS6801F

R 1019

RS1/16SS101J

R 1025

RS1/16SS101J

R 1027

RS1/16SS101J

R 1101

RS1/16SS104J

R 1102

RS1/16SS104J

R 1103

RS1/16SS4300F

R 1104

RS1/16SS5100F

R 1105

RS1/16SS4300F

R 1106

RS1/16SS5600F

R 1109

RS1/16SS3R3J

R 1110

RS1/16SS3R3J

R 1111

RS1/10SR3R3J

R 1112

RS1/10SR3R3J

R 1113

RS1/10SR3R9J

R 1114

RS1/10SR3R3J

R 1115

RS1/10SR2R7J

R 1116

RS1/10SR2R7J

R 1117

RS1/10SR3R9J

R 1118

RS1/10SR3R9J

Circuit Symbol and No.**Part No.****Circuit Symbol and No.****Part No.**

R 1541	RS1/16SS221J	C 1481	CKSSYB104K10
R 1542	RS1/16SS103J	C 1482	CKSSYB104K10
R 1546	RS1/16SS682J		
R 1601	RS1/16SS123J	C 1484	CKSSYB104K10
R 1602	RS1/16SS123J	C 1485	CKSSYB104K10

R 1603	RS1/16SS1002D	C 1488	CKSSYB104K10
R 1604	RS1/16SS105J	C 1489	DCH1201

R 1605	RS1/16SS105J		
R 1670	RS1/16SS1002D	C 1490	CKSSYB102K50
R 1671	RS1/16SS2402D	C 1501	DCH1201

R 1672	RS1/16SS2000D	C 1503	DCH1201
R 1674	RS1/16SS3002D	C 1504	CKSSYB104K10

R 1801	RS1/16SS104J		
R 1802	RS1/16SS104J	C 1505	CKSSYB104K10
R 1803	RS1/16SS821J	C 1506	CKSSYB104K10

R 1804	RS1/16SS821J	C 1508	CKSSYB104K10
R 1982	RS1/16SS822J	C 1509	CKSSYB104K10

R 1983	RS1/16SS1000D		
R 1987	RS1/16SS0R0J	C 1510	CCSSCH120J50
R 1990	RS1/16SS2000D	C 1511	CKSSYB104K10

R 1991	RS1/16SS101J	C 1512	CCSSCH120J50
R 1996	RS1/16SS2000D	C 1513	CKSSYB104K10

R 1997	RS1/16SS101J	C 1514	CKSSYB104K10
R 2002	RS1/16SS2000D	C 1515	CKSSYB104K10
R 2003	RS1/16SS101J	C 1516	CKSSYB104K10

CAPACITORS

C 1001	CKSRYB105K10		
--------	--------------	--	--

C 1002	CKSSYB104K16	C 1520	CKSSYB104K10
--------	--------------	--------	--------------

C 1003	CKSSYB104K16	C 1521	CKSSYB104K10
--------	--------------	--------	--------------

C 1004	CCG1201	C 1522	CKSSYB104K10
--------	---------	--------	--------------

C 1005	CKSRYB105K16	C 1523	CKSSYB104K10
--------	--------------	--------	--------------

		C 1524	CKSSYB473K16
--	--	--------	--------------

C 1011	CKSRYB105K10		
--------	--------------	--	--

C 1015	CKSSYB102K50	C 1526	CKSSYB103K16
--------	--------------	--------	--------------

C 1016	CKSSYB102K50	C 1528	CKSSYB471K50
--------	--------------	--------	--------------

C 1018	CKSSYB104K10	C 1601	CKSSYB103K16
--------	--------------	--------	--------------

C 1040	CCSRCH821J50	C 1602	CCSSCH101J50
--------	--------------	--------	--------------

		C 1603	CCSSCH101J50
--	--	--------	--------------

C 1041	CCSRCH271J50		
--------	--------------	--	--

C 1101	DCH1201	C 1604	CCSSCH680J50
--------	---------	--------	--------------

C 1104	CKSSYB104K10	C 1605	CCSSCH680J50
--------	--------------	--------	--------------

C 1105	CKSSYB104K10	C 1606	CKSSYB104K10
--------	--------------	--------	--------------

C 1106	CKSSYB103K16	C 1607	DCH1201
--------	--------------	--------	---------

		C 1608	CCG1201
--	--	--------	---------

C 1107	CKSSYB103K16		
--------	--------------	--	--

C 1108	CKSSYB103K16	C 1609	CKSSYB104K10
--------	--------------	--------	--------------

C 1109	CKSRYB224K16	C 1612	CKSSYB104K10
--------	--------------	--------	--------------

C 1110	CKSSYB103K16	C 1613	CKSSYB104K10
--------	--------------	--------	--------------

C 1111	CKSRYB224K16	C 1614	CKSSYB104K10
--------	--------------	--------	--------------

		C 1615	CKSSYB104K10
--	--	--------	--------------

C 1112	DCH1256		
--------	---------	--	--

C 1113	DCH1256	C 1616	CKSSYB104K10
--------	---------	--------	--------------

C 1210	CKSSYB104K16	C 1617	CKSSYB104K10
--------	--------------	--------	--------------

C 1251	CEVW101M16	C 1618	CCSSCH101J50
--------	------------	--------	--------------

C 1252	CCG1222	C 1619	CKSSYB562K25
--------	---------	--------	--------------

		C 1620	CKSSYB224K6R3
--	--	--------	---------------

C 1253	CKSSYB104K16		
--------	--------------	--	--

C 1254	CKSSYB104K16	C 1621	CKSSYB224K6R3
--------	--------------	--------	---------------

C 1255	CKSSYB104K16	C 1622	CKSSYB333K16
--------	--------------	--------	--------------

C 1401	CKSSYB104K16	C 1623	CKSRYB105K10
--------	--------------	--------	--------------

C 1403	CKSSYB104K10	C 1624	CKSSYB104K10
--------	--------------	--------	--------------

		C 1625	CKSSYB104K10
--	--	--------	--------------

C 1408	CKSSYB104K10		
--------	--------------	--	--

C 1410	CKSSYB104K16	C 1671	CKSSYB104K10
--------	--------------	--------	--------------

C 1480	CKSSYB104K10	C 1673	CKSSYB104K10
--------	--------------	--------	--------------

Circuit Symbol and No.Part No.Circuit Symbol and No.Part No.

D 9501 Schottky Diode DB2J31400

JA4301 Connector

CKS6438

JA4802 Connector

CKS6560

JA5851 Connector

DKN1416

JA5852 Connector

DKN1416

JA5901 Connector(A)

CKS6495

JA9501 Connector

CKS5702

RESISTORS

R 2126

RS1/4SA0R0J

R 2127

RS1/4SA0R0J

R 2201

RS1/16SS102J

R 2204

RS1/16SS471J

R 2208

RS1/16SS221J

R 2209

RS1/16SS221J

R 2214

RS1/16SS0R0J

R 2215

RS1/16SS0R0J

R 2217

39 ohm

CCN1432

R 2303

RS1/16SS222J

R 2306

RS1/16SS103J

R 2307

RS1/16SS103J

R 2308

RS1/16SS103J

R 2312

RS1/16SS0R0J

R 2314

RS1/16SS101J

R 2315

RS1/16SS470J

R 2316

RS1/16SS470J

R 2317

RS1/16SS470J

R 2318

RS1/16SS101J

R 2319

RS1/16SS470J

R 2320

RS1/16SS0R0J

R 2322

RS1/16SS0R0J

R 2331

RS1/16SS0R0J

R 2332

RS1/16SS223J

R 2336

RS1/16SS0R0J

R 2338

RS1/16SS0R0J

R 2339

RS1/16SS0R0J

R 2340

RS1/16SS0R0J

R 2341

RS1/16SS0R0J

R 2342

RS1/16SS220J

R 2343

RS1/16SS220J

R 2344

RS1/16SS220J

R 2345

RS1/16SS0R0J

R 2346

RS1/16SS103J

R 2349

RS1/16SS0R0J

R 2350

RS1/16SS0R0J

R 2402

RS1/16SS0R0J

R 2404

RS1/16SS0R0J

R 2405

RS1/16SS0R0J

R 2408

RS1/10SR0R0J

R 2409

RS1/16SS222J

R 2410

RS1/16SS103J

R 2411

RS1/16SS0R0J

R 2413

RS1/10SR0R0J

R 2414

RS1/10SR0R0J

R 2415

RS1/10SR0R0J

R 2416

RS1/10SR0R0J

R 2417

RS1/16SS0R0J

R 2418

RS1/16SS0R0J

R 2419

RS1/16SS0R0J

R 2420

RS1/16SS0R0J

<u>Circuit Symbol and No.</u>	<u>Part No.</u>	<u>Circuit Symbol and No.</u>	<u>Part No.</u>
R 2422	RS1/16SS103J	R 3818	RS1/16SS272J
R 2436	RS1/16SS103J	R 3819	RS1/10SR221J
R 2438	RS1/16SS103J	R 3821	RS1/16SS102J
R 2440	RS1/16SS333J	R 3827	RS1/16SS103J
		R 3828	RS1/10SR103J
R 2441	RS1/16SS473J		
R 2442	RS1/16SS101J	R 3829	RS1/16SS683J
R 2443	RS1/16SS273J	R 3831	RS1/10SR561J
R 2472	RS1/16SS103J	R 3832	RS1/16SS103J
R 2502	RS1/16SS103J	R 3834	RS1/16SS103J
		R 3835	RS1/16SS683J
R 2506	RS1/16SS101J		
R 2507	RS1/16SS103J	R 3836	RS1/16SS683J
R 2508	RS1/16SS103J	R 3837	RS1/10SR103J
R 2509	RS1/16SS330J	R 3838	RS1/8SQ0R0J
R 2510	RS1/16SS330J	R 3840	RS1/10SR103J
		R 3841	RS1/10SR331J
R 2511	RS1/16SS101J		
R 2512	RS1/16SS330J	R 3842	RS1/16SS103J
R 2513	RS1/16SS103J	R 3843	RS1/16SS103J
R 2514	RS1/16SS101J	R 3844	RS1/16SS103J
R 2515	RS1/16SS101J	R 3845	RS1/16SS103J
		R 3847	RS1/16SS0R0J
R 2516	RS1/16SS104J		
R 2517	RS1/16SS222J	R 3850	RS1/16SS102J
R 2518	RS1/16SS222J	R 3851	RS1/16SS102J
R 2519	RS1/16SS104J	R 3852	RS1/16SS103J
R 2520	RS1/16SS104J	R 3853	RS1/16SS102J
		R 3856	RS1/10SR0R0J
R 2521	RS1/16SS222J		
R 2522	RS1/16SS104J	R 3857	RS1/10SR0R0J
R 2523	RS1/16SS104J	R 3858	RS1/16SS103J
R 2524	RS1/16SS104J	R 3860	RS1/16SS102J
R 2525	RS1/16SS104J	R 3861	RS1/16SS102J
		R 3862	RS1/16SS472J
R 2526	RS1/16SS101J		
R 2602	RS1/16SS821J	R 3863	RS1/16SS102J
R 2603	RS1/16SS821J	R 3868	RS1/10SR103J
R 2604	RS1/16SS0R0J	R 3869	RS1/16SS272J
R 2605	RS1/16SS0R0J	R 3872	RS1/16SS332J
		R 3873	RS1/10SR151J
R 2606	RS1/16SS0R0J		
R 2608	RS1/16SS0R0J	R 3874	RS1/10SR221J
R 2609	RS1/16SS183J	R 3877	RS1/16SS0R0J
R 2610	RS1/16SS223J	R 3884	RS1/16SS102J
R 2612	RS1/16SS472J	R 3885	RS1/16SS0R0J
		R 3886	RS1/16SS222J
R 2613	RS1/16SS163J		
R 2614	RS1/16SS101J	R 3887	RS1/16SS332J
R 2616	RS1/16SS153J	R 3888	RS1/16SS0R0J
R 2618	RS1/16SS223J	R 3889	RS1/10SR221J
R 2619	RS1/16SS0R0J	R 3893	RS1/16SS0R0J
		R 3899	RS1/16SS683J
R 2705	RS1/16SS0R0J		
R 2710	RS1/16SS0R0J	R 3900	RS1/16SS683J
R 2726	RS1/16SS101J	R 3901	CCN1187
R 2729	RS1/16SS0R0J	R 3902	RS1/10SR472J
R 2730	RS1/16SS0R0J	R 3903	RS1/16SS242J
		R 3904	RS1/10SR0R0J
R 3802	RS1/16SS223J		
R 3804	RS1/16SS123J	R 3905	RS1/16SS242J
R 3808	RS1/16SS102J	R 3906	RS1/10SR0R0J
R 3809	RS1/16SS0R0J	R 3907	RS1/16SS4703D
R 3810	RS1/8SQ0R0J	R 3908	RS1/16SS1503D
		R 3909	RS1/16SS100J
R 3812	RS1/16SS683J		
R 3813	RS1/10SR221J	R 3910	RS1/16SS100J
R 3815	RS1/16SS472J	R 3912	RS1/16SS100J
R 3816	RS1/16SS472J	R 3913	RS1/16SS104J
R 3817	RS1/10SR221J	R 3914	RS1/16SS104J
		R 3915	RS1/16SS100J

Circuit Symbol and No.Part No.Circuit Symbol and No.Part No.

	R 3917	RS1/10SR0R0J	R 4038	RS1/16SS101J
A	R 3918	RS1/10SR0R0J	R 4039	RS1/16SS101J
	R 3919	RS1/10SR103J	R 4041	RS1/16SS473J
	R 3920	RS1/16SS1302D	R 4042	RS1/16SS101J
	R 3921	RS1/10SR2R2J	R 4043	RS1/16SS101J
			R 4046	RS1/16SS101J
	R 3922 10 mohm	CCN1187		
	R 3923 0.013 ohm	CCN1334	R 4049	RS1/16SS101J
	R 3924	RS1/16SS2702D	R 4050	RS1/16SS101J
	R 3925	RS1/16SS4703D	R 4051	RS1/16SS470J
	R 3926	RS1/16SS1503D	R 4052	RS1/16SS470J
			R 4053	RS1/16SS182J
	R 3927 0.013 ohm	CCN1334		
	R 3928	RS1/16SS0R0J	R 4054	RS1/16SS182J
B	R 3929	RS1/16SS0R0J	R 4055	RS1/16SS101J
	R 3932	RS1/16SS0R0J	R 4056	RS1/16SS101J
	R 3938	RS1/16SS0R0J	R 4062	RS1/16SS473J
			R 4063	RS1/16SS473J
	R 3939	RS1/16SS222J		
	R 3940	RS1/16SS222J	R 4064	RS1/16SS473J
	R 3945	RS1/16SS0R0J	R 4066	RS1/16SS101J
	R 3947	RS1/16SS0R0J	R 4068	RS1/16SS101J
	R 3950	RS1/16SS0R0J	R 4069	RS1/16SS101J
			R 4071	RS1/16SS101J
	R 3951	RS1/16SS0R0J		
	R 3952	RS1/16SS0R0J	R 4073	RS1/16SS104J
	R 3953	RS1/16SS0R0J	R 4074	RS1/16SS101J
C	R 3954	RS1/16SS0R0J	R 4075	RS1/16SS101J
	R 3955	RS1/16SS0R0J	R 4078	RS1/16SS104J
			R 4079	RS1/16SS104J
	R 3956	RS1/16SS0R0J		
	R 3958	RS1/16SS152J	R 4080	RS1/16SS101J
	R 3971	RS1/16SS392J	R 4083	RS1/16SS101J
	R 3972	RS1/16SS3001D	R 4084	RS1/16SS101J
	R 3973	RS1/16SS1602D	R 4085	RS1/16SS101J
			R 4088	RS1/16SS101J
	R 3974	RS1/10SR0R0J		
	R 3975	RS1/16SS1501D	R 4091	RS1/16SS101J
	R 3976	RS1/16SS473J	R 4097	RS1/16SS101J
	R 3977	RS1/16SS304J	R 4098	RS1/16SS101J
D	R 3979 0.1 ohm	CCN1339	R 4099	RS1/16SS101J
			R 4103	RS1/16SS102J
	R 3980	RS1/8SQ0R0J		
	R 3982	RS1/4SA331J	R 4104	RS1/16SS102J
	R 3984	RS1/16SS122J	R 4105	RS1/16SS102J
	R 3985	RS1/16SS0R0J	R 4106	RS1/16SS102J
	R 4002	RS1/16SS223J	R 4108	RS1/16SS473J
			R 4109	RS1/16SS473J
	R 4003	RS1/16SS101J		
	R 4006	RS1/16SS473J	R 4110	RS1/16SS473J
	R 4008 (A)	RS1/16SS0R0J	R 4111	RS1/16SS472J
	R 4010	RS1/16SS0R0J	R 4112	RS1/16SS103J
	R 4011	RS1/16SS0R0J	R 4114	RS1/16SS101J
E			R 4115	RS1/16SS104J
	R 4019	RS1/16SS100J		
	R 4022	RS1/16SS104J	R 4116	RS1/16SS101J
	R 4024	RS1/16SS102J	R 4122	RS1/16SS104J
	R 4025	RS1/16SS102J	R 4125	RS1/16SS104J
	R 4026	RS1/16SS681J	R 4127	RS1/16SS221J
			R 4128	RS1/16SS221J
	R 4027	RS1/16SS101J		
	R 4028	RS1/16SS101J	R 4129	RS1/16SS221J
	R 4029	RS1/16SS101J	R 4132	RS1/16SS101J
	R 4030	RS1/16SS104J	R 4133	RS1/16SS101J
	R 4031	RS1/16SS104J	R 4135	RS1/16SS101J
			R 4136 (A)	RS1/16SS101J
F	R 4033	RS1/16SS104J		
	R 4034	RS1/16SS104J	R 4137	RS1/16SS101J
	R 4036	RS1/16SS101J	R 4138	RS1/16SS101J
	R 4037	RS1/16SS101J	R 4144	RS1/16SS101J

<u>Circuit Symbol and No.</u>	<u>Part No.</u>	<u>Circuit Symbol and No.</u>	<u>Part No.</u>
R 4149	RS1/16SS103J	R 4310	RS1/16SS470J
R 4150	RS1/16SS101J	R 4311	RS1/16SS470J
		R 4312	RS1/16SS180J
R 4151	RS1/16SS101J		
R 4153	RS1/16SS101J	R 4313	RS1/16SS470J
R 4154	RS1/16SS101J	R 4314	RS1/16SS470J
R 4155	RS1/16SS101J	R 4316	RS1/16SS103J
R 4156	RS1/16SS101J	R 4317	RS1/16SS103J
		R 4318	RS1/16SS103J
R 4157	RS1/16SS101J		
R 4159 (C)	RS1/16SS104J	R 4320	RS1/16SS103J
R 4161 (A)	RS1/16SS104J	R 4321	RS1/16SS103J
R 4162 (A)	RS1/16SS104J	R 4326	RS1/16SS330J
R 4163	RS1/16SS104J	R 4327	RS1/16SS330J
		R 4335	RS1/16SS103J
R 4164 (C)	RS1/16SS104J		
R 4170	RS1/16SS222J	R 4336	RS1/16SS103J
R 4176	RS1/16SS101J	R 4337	RS1/16SS103J
R 4177	RS1/16SS101J	R 4339	RS1/16SS103J
R 4178	RS1/16SS101J	R 4340	RS1/16SS103J
		R 4345	RS1/16SS0R0J
R 4185	RS1/16SS101J		
R 4187	RS1/16SS101J	R 4347	RS1/10SR0R0J
R 4190	RS1/16SS101J	R 4401	RS1/10SR0R0J
R 4192	RS1/16SS101J	R 4402	RS1/16SS0R0J
R 4195	RS1/16SS1001D	R 4403	RS1/16SS1602D
		R 4404	RS1/16SS3001D
R 4196	RS1/16SS1001D		
R 4198	RS1/16SS104J	R 4405	RS1/16SS392J
R 4199	RS1/16SS102J	R 4406	RS1/16SS122J
R 4201	RS1/16SS823J	R 4407	RS1/16SS1501D
R 4202	RS1/16SS102J	R 4408	RS1/16SS304J
		R 4411	RS1/8SQ0R0J
R 4212	RS1/16SS472J		
R 4213	RS1/16SS471J	R 4412	RS1/16SS473J
R 4214	RS1/10SR471J	R 4414	CCN1339
R 4217	RS1/16SS472J	R 4415	RS1/4SA331J
R 4223	RS1/16SS101J	R 4527	RS1/16SS103J
		R 4528	RS1/16SS0R0J
R 4250	RS1/16SS103J		
R 4251	RS1/16SS103J	R 4533	RS1/16SS0R0J
R 4253	RS1/16SS101J	R 4534	RS1/16SS470J
R 4261	RS1/16SS101J	R 4535	RS1/16SS103J
R 4264	RS1/16SS473J	R 4539	RS1/16SS2200D
		R 4540	RS1/16SS6801F
R 4265	RS1/16SS104J		
R 4266	RS1/16SS183J	R 4541	RS1/16SS101J
R 4267	RS1/16SS104J	R 4542	RS1/16SS103J
R 4270	RS1/16SS0R0J	R 4544	RS1/10SR0R0J
R 4281	RS1/16SS104J	R 4605	RS1/16SS151J
		R 4608	RS1/16SS151J
R 4283	RS1/16SS473J		
R 4284	RS1/16SS105J	R 4609	RS1/16SS151J
R 4285	RS1/16SS103J	R 4613	RS1/16SS104J
R 4286	RS1/16SS473J	R 4615	RS1/16SS104J
R 4288	RS1/16SS103J	R 4617	RS1/16SS104J
		R 4619	RS1/16SS101J
R 4289	RS1/16SS103J		
R 4290	RS1/16SS103J	R 4620	RS1/16SS243J
R 4291 (C)	RS1/16SS1802D	R 4621	RS1/16SS333J
R 4293	RS1/16SS333J	R 4629	RS1/16SS151J
R 4294	RS1/16SS101J	R 4632	RS1/16SS472J
		R 4633	RS1/16SS473J
R 4295	RS1/16SS101J		
R 4296	RS1/16SS473J	R 4636	RS1/16SS821J
R 4297	RS1/16SS104J	R 4637	RS1/16SS105J
R 4298	RS1/16SS104J	R 4641	RS1/16SS103J
R 4299	RS1/16SS104J	R 4647	RS1/16SS391J
		R 4648	RS1/16SS391J
R 4300 (C)	RS1/16SS101J		
R 4309	RS1/16SS470J	R 4649	RS1/16SS391J

0.1 ohm

	<u>Circuit Symbol and No.</u>	<u>Part No.</u>	<u>Circuit Symbol and No.</u>	<u>Part No.</u>
	R 4650	RS1/16SS391J	R 4850	RS1/16SS0R0J
	R 4651	RS1/16SS391J	R 4851	RS1/16SS470J
A	R 4652	RS1/16SS391J	R 4852	RS1/16SS304J
	R 4653	RS1/16SS391J	R 4854	RS1/16SS103J
			R 4855	RS1/16SS302J
	R 4654	RS1/16SS391J		
	R 4655	RS1/16SS391J	R 4856	RS1/16SS152J
	R 4656	RS1/16SS391J	R 4857	RS1/16SS330J
	R 4657	RS1/16SS391J	R 4861	RS1/16SS105J
	R 4659	RS1/16SS0R0J	R 4862	RS1/16SS0R0J
			R 4864	RS1/16SS473J
	R 4660	RS1/16SS0R0J		
	R 4661	RS1/16SS0R0J	R 4865	RS1/16SS330J
	R 4662	RS1/16SS0R0J	R 4866	RS1/16SS330J
	R 4708	RS1/16SS1000D	R 4868	RS1/16SS0R0J
B	R 4709	RS1/16SS1000D	R 4869	RS1/16SS100J
			R 5520	RS1/10SR271J
	R 4710	RS1/16SS1000D		
	R 4711	RS1/16SS1000D	R 5521	RS1/10SR271J
	R 4712	RS1/16SS1000D	R 5522	RS1/10SR271J
	R 4713	RS1/16SS75R0D	R 5801 (A)	RS1/16SS151J
	R 4714	RS1/16SS472J	R 5802 (A)	RS1/16SS0R0J
			R 5803 (A)	RS1/16SS0R0J
	R 4715	RS1/16SS472J		
	R 4720	RS1/16SS473J	R 5804 (A)	RS1/16SS0R0J
	R 4721	RS1/16SS103J	R 5807	RS1/16SS0R0J
	R 4722	RS1/16SS105J	R 5809 (C)	RS1/16SS0R0J
	R 4723	RS1/16SS102J	R 5819	RS1/16SS470J
			R 5820	RS1/16SS470J
C	R 4724	RS1/16SS0R0J		
	R 4801	RS1/16SS105J	R 5821	RS1/16SS470J
	R 4806	RS1/16SS103J	R 5833 (A)	RS1/16SS0R0J
	R 4807	RS1/16SS103J	R 5834 (A)	RS1/16SS0R0J
	R 4809	RS1/16SS0R0J	R 5835 (A)	RS1/16SS0R0J
			R 5838	RS1/16SS0R0J
	R 4810	RS1/16SS330J		
	R 4811	RS1/16SS330J	R 5851	RS1/16SS473J
	R 4812	RS1/16SS103J	R 5852	RS1/16SS472J
	R 4813	RS1/16SS151J	R 5853	RS1/16SS103J
	R 4814	RS1/16SS330J	R 5854	RS1/16SS104J
			R 5855	RS1/10SR0R0J
D	R 4815	RS1/16SS0R0J		
	R 4817	RS1/16SS105J	R 5856	RS1/10SR0R0J
	R 4823	RS1/16SS680J	R 5861	RS1/10SR0R0J
	R 4824	RS1/16SS0R0J	R 5862	RS1/10SR0R0J
	R 4828	RS1/16SS680J	R 5865	RS1/16SS392J
			R 5905 (A)	RS1/10SR471J
	R 4829	RS1/16SS680J		
	R 4830	RS1/16SS680J	R 5935	RS1/16SS101J
	R 4831	RS1/16SS680J	R 5936	RS1/16SS103J
	R 4832	RS1/16SS680J	R 5937	RS1/16SS0R0J
	R 4833	RS1/16SS680J	R 5938	RS1/16SS0R0J
			R 5939 (A)	RS1/16SS0R0J
	R 4834	RS1/16SS680J		
E	R 4835	RS1/16SS680J	R 5940 (A)	RS1/16SS0R0J
	R 4836	RS1/16SS680J	R 5941	RS1/16SS104J
	R 4837	RS1/16SS680J	R 5942 (A)	RS1/16SS0R0J
	R 4838	RS1/16SS680J	R 5944 (A)	RS1/16SS473J
			R 5945 (A)	RS1/16SS0R0J
	R 4839	RS1/16SS680J		
	R 4840	RS1/16SS680J	R 5947 (A)	RS1/16SS104J
	R 4841	RS1/16SS680J	R 5948 (A)	RS1/16SS471J
	R 4842	RS1/16SS680J	R 5949 (A)	RS1/16SS473J
	R 4843	RS1/16SS103J	R 5950 (A)	RS1/16SS223J
			R 5951 (A)	RS1/16SS223J
	R 4845	RS1/16SS0R0J		
	R 4846	RS1/16SS0R0J	R 5953 (A)	RS1/16SS331J
F	R 4847	RS1/16SS0R0J	R 5954 (A)	RS1/16SS181J
	R 4848	RS1/16SS0R0J	R 5955 (A)	RS1/16SS181J
	R 4849	RS1/16SS0R0J	R 5957 (A)	RS1/10SR102J
			R 5958 (A)	RS1/10SR471J

<u>Circuit Symbol and No.</u>	<u>Part No.</u>	<u>Circuit Symbol and No.</u>	<u>Part No.</u>
R 5962	RS1/16SS102J	C 2314	CKSSYB104K10
R 5963	RS1/16SS102J	C 2315	CKSRyx225K10
R 8010	RS1/16SS103J	C 2316	CKSSYB104K10
R 8054	RS1/16SS0R0J	C 2317	CKSQYX106K10
R 8056 (A)	RS1/16SS0R0J	C 2318	CKSSYB104K10
R 8058	RS1/16SS0R0J	C 2324	CCSSCH120J50
R 9502	RS1/16SS103J	C 2325	CCSSCH120J50
R 9503	RS1/16SS10R0D	C 2327	CKSSYX105K10
R 9504	RS1/16SS1501D	C 2402	CKSSYX105K10
R 9505	RS1/16SS2402D	C 2404	CKSRyx474K10
R 9506	RS1/16SS3302D	C 2405	CKSQYX106K10
R 9509	RS1/16SS2202D	C 2406	CKSQYX106K10
R 9510	RS1/16SS2202D	C 2407	CKSSYB104K10
R 9511	RS1/16SS432J	C 2408	CKSSYB104K10
R 9513	RS1/16SS471J	C 2411	CKSRyx225K10
R 9514	RS1/16SS472J	C 2418	CKSSYB471K50
R 9518	RS1/16SS0R0J	C 2419	CKSSYB561K50
R 9520	RS1/16SS1801D	C 2420	CCSSCH680J50
R 9521	RS1/16SS3002D	C 2421	CKSSYB104K10
R 9522	RS1/16SS3302D	C 2502	CCSSCH101J50
R 9524	RS1/16SS103J	C 2503	CCSSCH101J50
R 9527	RS1/16SS102J	C 2504	CKSSYB104K16
R 9528	RS1/16SS102J	C 2505	CKSSYB104K16
R 9530	RS1/10SR0R0J	C 2506	CCSSCH101J50
R 9531	RS1/16SS4702D	C 2507	CCSSCH101J50
R 9532	RS1/16SS4702D	C 2508	CCSSCH101J50
R 9533	RS1/16SS4702D	C 2509	CCSSCH101J50
R 9802	RS1/10SR0R0J	C 2510	CCSSCH101J50
R 9804	RS1/10SR0R0J	C 2511	CCSSCH101J50
R 9806	RS1/10SR0R0J	C 2601	CKSQYX106K10
R 9809	RS1/16SS0R0J	C 2602	CKSSYB104K16
R 9820	RS1/10SR0R0J	C 2603	CKSSYB104K10
R 9821	RS1/10SR0R0J	C 2604	CKSQYX106K10
R 9825	RS1/16SS0R0J	C 2605	CKSSYB182K50
R 9831	RS1/16SS0R0J	C 2606	CKSSYB182K50
R 9835	RS1/16SS0R0J	C 2608	CKSRyx474K10
R 9846	RS1/16SS0R0J	C 2609	CCSSCH101J50
R 9847	RS1/16SS0R0J	C 2610	CCSSCH680J50
R 9857	RS1/16SS103J	C 2611	CKSSYB104K10
R 9858	RS1/16SS103J	C 2612	CKSRyx225K10
R 9859	RS1/16SS103J	C 2613	CCSSCH120J50
R 9860	RS1/16SS103J	C 2701	CKSSYB104K16
R 9866 (A)	RS1/16SS0R0J	C 2703	CKSSYB104K16
R 9871	RS1/16SS0R0J	C 2706	CKSSYB104K10
R 9877	RS1/16SS0R0J	C 3801	CKSSYX105K10
R 9878	RS1/16SS0R0J	C 3804	CKSSYB104K10
R 9913 (A)	RS1/16SS0R0J	C 3806	CKSSYB104K16
		C 3807	CKSSYB104K16
		C 3811	CCG1333
		C 3813	CEVW101M16
		1 uF	
<u>CAPACITORS</u>			
C 2201	CKSSYB104K10		
C 2204	CKSSYB104K16	C 3814	CKSSYX105K10
C 2205	CKSSYB104K16	C 3815	CKSSYX105K10
C 2301	CKSSYX105K10	C 3816	CKSSYB102K50
C 2306	CKSSYX105K10	C 3817	CCG1256
		C 3819	CKSSYB104K16
		47 uF	
C 2308	CKSSYB104K10		
C 2309	CKSSYB104K10	C 3821	CKSSYX105K10
C 2310	CKSSYB104K10	C 3822	CKSSYX105K10
C 2312	CKSRyx225K10	C 3828	CKSRyx105K50
C 2313	CKSRyx105K25	C 3829	CKSSYB103K50

Circuit Symbol and No.Part No.Circuit Symbol and No.Part No.

	C 3830	CKSSYB102K50	C 4011	CKSSYB104K10
			C 4012	CKSRYX475K10
A	C 3833	CKSQYX106K10		
	C 3834	CKSSYB104K16	C 4013	CKSSYB104K10
	C 3836	CKSSYB104K10	C 4014	CKSSYB104K10
	C 3837	CKSSYX105K10	C 4015	CKSSYB104K10
	C 3838	CKSSYB104K10	C 4016	CKSSYB104K10
			C 4017	CCSSCH220J50
	C 3840	CKSSYB104K16		
	C 3841 47 uF	CCG1236	C 4018	CCSSCH220J50
	C 3844	CKSSYB104K10	C 4019	CKSSYX105K10
	C 3845	CKSRYX104K50	C 4020	CKSSYB104K10
	C 3847	CKSYX476M10	C 4021	CKSSYB102K50
			C 4030	CCSSCH101J50
	C 3852	CKSSYB104K10		
B	C 3853	CKSSYX104K50	C 4039	CKSSYB104K10
	C 3854	CKSSYX104K50	C 4041	CKSSYB104K10
	C 3855	CKSSYX104K50	C 4042	CKSSYB104K10
	C 3856	CKSSYX104K50	C 4044	CKSSYB103K16
			C 4054	CKSSYB103K16
	C 3857	CKSSYX104K50		
	C 3858	CKSSYX104K50	C 4056	CKSSYB104K10
	C 3859	CKSSYX104K50	C 4058	CKSQYX226M10
	C 3860	CKSSYX104K50	C 4308	CKSSYB104K16
	C 3861	CKSSYX104K50	C 4309	CKSSYB104K16
			C 4311	CKSQYX106K10
	C 3862	CKSSYX104K50		
	C 3863	CKSSYX104K50	C 4312	CKSRYX104K50
C	C 3864	CKSSYX104K50	C 4401	CKSSYB332K50
	C 3901	CCSSCH221J50	C 4402	CKSSYB222K50
	C 3902	CKSSYB122K50	C 4403	CCSSCH101J50
			C 4404	CKSSYB153K16
	C 3903	CCSSCH221J50		
	C 3904	CKSSYB122K50	C 4405	CKSRYX225K10
	C 3905	CCSSCH150J50	C 4406	CKSSYX105K10
	C 3906	CKSSYB102K50	C 4408	CCG1236
	C 3907	CCSSCH150J50	C 4409	CKSSYB104K16
			C 4410	CKSYX226M16
	C 3908	CKSSYB102K50		
	C 3909	CKSSYB182K50	C 4411	CKSRYB224K16
	C 3910	CKSSYB222K50	C 4412	CEVW101M16
D	C 3911	CKSRYX475K10	C 4514	CKSSYB104K10
	C 3912	CKSRYX104K50	C 4515	CKSSYB104K10
			C 4516	CKSSYB104K10
	C 3913	CKSRYX104K50		
	C 3914	CKSRYX104K50	C 4517	CKSSYB103K16
	C 3915 10 uF	CCG1236	C 4518	CKSSYB103K16
	C 3916 10 uF	CCG1236	C 4519	CKSQYX106K10
	C 3919	CKSYX476M10	C 4520	CKSSYB103K16
			C 4521	CKSSYB103K16
	C 3920	CKSYX476M10		
	C 3921	CKSSYB472K50	C 4522	CKSQYX106K10
	C 3922	CKSYX476M10	C 4523	CKSQYX106K10
	C 3923	CKSYX476M10	C 4524	CCSSCH101J50
E	C 3924	CKSYX476M10	C 4601	CKSQYX106K10
			C 4608	CKSSYB104K10
	C 3966	CKSSYB153K16		
	C 3967	CKSSYB222K50	C 4609	CKSSYB104K10
	C 3968	CCSSCH101J50	C 4610	CKSSYB104K10
	C 3969	CKSSYB332K50	C 4611	CKSRYX105K16
	C 3970	CKSSYX105K10	C 4612	CKSRYX105K16
			C 4613	CKSRYX105K16
	C 3971	CKSSYB104K16		
	C 3972	CKSYX226M16	C 4626	CKSSYB104K10
	C 3973	CKSRYX225K10	C 4627	CKSRYX105K16
	C 3974	CEVW101M16	C 4628	CKSRYX105K16
	C 3975	CKSRYB224K16	C 4629	CKSSYB104K10
F			C 4630	CKSRYX105K16
	C 3976 10 uF	CCG1236		
	C 4001	CKSQYX106K10	C 4631	CKSRYX105K16
	C 4010	CKSSYB104K10	C 4632	CKSSYB104K10

<u>Circuit Symbol and No.</u>	<u>Part No.</u>	<u>Circuit Symbol and No.</u>	<u>Part No.</u>
C 4633	CKSRyx105K16	C 4729	CKSQYX106K10
C 4634	CKSRyx105K16	C 4730	CKSSyB104K10
C 4636	CKSQYX106K10	C 4731	CKSQYX106K10
		C 4732	CKSSyB104K10
C 4641	CKSSyB104K10		
C 4642	CKSSyB102K50	C 4733	CKSQYX106K10
C 4643	CKSSyB102K50	C 4734	CKSSyB104K10
C 4644	CKSSyB103K16	C 4735	CCSSCH120J50
C 4645	CKSSyX474K6R3	C 4736	CCSSCH120J50
		C 4737	CKSRyx105K16
C 4646	CKSSyX474K6R3		
C 4647	CKSSyX474K6R3	C 4738	CKSSyB103K16
C 4648	CKSSyB104K10	C 4739	CKSSyB104K10
C 4649	CKSSyB104K10	C 4740	CKSSyB104K10
C 4650	CKSSyB102K50	C 4741	CKSSyB104K10
		C 4742	CKSSyB104K10
C 4651	CKSSyB104K10		
C 4652	CKSRyx105K16	C 4743	CKSSyB103K16
C 4653	CKSSyB104K10	C 4805	CKSQYX106K10
C 4654	CKSSyB104K10	C 4806	CKSQYX106K10
C 4655	CKSSyB104K10	C 4807	CKSQYX106K10
		C 4808	CKSQYX106K10
C 4656	CKSSyB104K10		
C 4657	CKSSyB104K10	C 4809	CKSSyB104K10
C 4658	CKSSyB104K10	C 4810	CKSSyB104K10
C 4659	CCSSCH9R0D50	C 4811	CKSSyB104K10
C 4660	CCSSCH150J50	C 4812	CCSSCH9R0D50
		C 4813	CCSSCH8R0D50
C 4661	CKSQYX106K10		
C 4662	CKSSyB103K16	C 4816	CKSSyB104K10
C 4663	CKSSyB104K10	C 4819	CKSSyB104K10
C 4664	CKSSyB104K10	C 4820	CKSSyB104K10
C 4665	CKSQYX106K10	C 4821	CKSSyB104K10
		C 4822	CKSSyB104K10
C 4666	CKSQYX106K10		
C 4667	CKSQYX106K10	C 4823	CKSSyB104K10
C 4669	CKSSyB104K10	C 4824	CKSSyB104K10
C 4701	CKSQYX106K10	C 4825	CKSSyB104K10
C 4702	CKSSyB104K10	C 4826	CKSSyB104K10
		C 4827	CKSSyB104K10
C 4703	CKSQYX106K10		
C 4704	CKSSyB104K10	C 4828	CKSSyB104K10
C 4705	CKSQYX106K10	C 4829	CKSSyB104K10
C 4706	CKSSyB104K10	C 4830	CKSSyB104K10
C 4707	CKSQYX106K10	C 4831	CKSSyB104K10
		C 4832	CKSSyB104K10
C 4708	CKSSyB104K10		
C 4709	CKSQYX106K10	C 4833	CKSSyB104K10
C 4710	CKSSyB104K10	C 4834	CKSSyB104K10
C 4711	CKSQYX106K10	C 4835	CKSSyB104K10
C 4712	CKSSyB104K10	C 4836	CKSSyB104K10
		C 4837	CKSSyB102K50
C 4713	CKSQYX106K10		
C 4714	CKSSyB104K10	C 4839	CKSSyB104K10
C 4715	CKSQYX106K10	C 4840	CKSQYX106K10
C 4716	CKSSyB104K10	C 4841	CKSRyx225K10
C 4717	CKSQYX106K10	C 4842	CKSRyx225K10
		C 4843	CKSRyx225K10
C 4718	CKSSyB104K10		
C 4719	CKSQYX106K10	C 4850	CCSSCH220J50
C 4720	CKSSyB104K10	C 4855	CCSSCH100D50
C 4721	CKSSyB103K16	C 4857	CKSSyB221K50
C 4722	CKSSyB102K50	C 5801	CKSSyB104K10
		C 5802	CKSSyB104K10
C 4723	CKSQYX106K10		
C 4724	CKSSyB104K10	C 5803	CKSSyB104K16
C 4725	CKSQYX106K10	C 5851	CKSSyB104K10
C 4726	CKSSyB104K10	C 5854	CKSQYX226M16
C 4727	CKSQYX106K10	C 5855	CKSSyB104K10
		C 5860	CKSSyB104K10
C 4728	CKSSyB104K10		

Circuit Symbol and No.Part No.Circuit Symbol and No.Part No.

C 5861
C 5862
C 5863
C 5864
C 5907

CKSSYX105K6R3
CKSSYB103K16
CKSSYB104K10
CKSSYB104K10
CKSSYB104K10

IC 4607 V Amp IC
IC 4608 Image processing LSI
IC 4701 Display IC

BH7673G
ML86V7675TBZA3A
ML86287

C 5909
C 5910 (A)
C 5911 (A)
C 5912 (A)
C 5914 (A)

CKSSYB104K10
CKSSYB104K10
CKSSYB104K10
CKSSYB104K10
CKSRX104K50

IC 5851 Interface IC
IC 5852 IC
IC 5901 Logic IC
IC 5903 Logic IC
IC 9502 IC

MAX14644ETACNE
TUSB211QRWBQ1
TC7SH08FUS2
TC7SET08FUS3
NJM2115V

C 8007
C 9501
C 9502
C 9503
C 9504

CKSRX104K50
CKSSYB102K50
CKSSYB103K16
CKSSYB104K10
CKSSYB104K10

Q 2201 Resistor Built-in Transistor
Q 2202 Resistor Built-in Transistor
Q 2501 Resistor Built-in Transistor
Q 3801 IC
Q 3802 Bipolar Transistor

RN4982S1
RN1910S1
LTC014EEB
RZQ050P01
LSCR523UB

C 9505
C 9507
C 9509
C 9510
C 9515

CKSSYB103K16
CCSSCH101J50
CKSSYB104K10
CKSSYB104K10
CKSSYB104K16

Q 3807 IC
Q 3808 Bipolar Transistor
Q 3809 Chip Transistor
Q 3810 Bipolar Transistor
Q 3811 Bipolar Transistor

RZQ050P01
LSCR523UB
2SB1689
LSCR523UB
LSAR523UB

C 9516
C 9517
C 9801
C 9803
C 9810

CKSSYB104K16
CKSSYB102K50
CKSYX226K10
CKSYX226K10
CCSSCH220J50

Q 3812 Bipolar Transistor
Q 3813 Bipolar Transistor
Q 3814 Bipolar Transistor
Q 3818 Chip Transistor
Q 3819 Bipolar Transistor

LSCR523UB
LSAR523UB
LSCR523UB
2SB1689
LSCR523UB

C 9828
C 9832
C 9836
C 9838
C 9840

CKSSYB104K16
CKSSYB104K16
CKSSYB104K16
CKSSYB104K16
CKSSYB104K16

Q 3820 Bipolar Transistor
Q 3821 Resistor Built-in Transistor
Q 3822 Resistor Built-in Transistor
Q 3824 IC
Q 3825 Bipolar Transistor

LSCR523UB
LTC014EEB
LTC014EEB
RZQ050P01
LSCR523UB

D**Unit Number: CXY1377(B)****Unit Number: CXY1379(D)****Unit Name : Service IF Unit**MISCELLANEOUS

IC 2301 AUD DSP SYS LSI
IC 2401 Converter IC
IC 2403 Op-amp IC
IC 2501 Logic IC
IC 2502 Logic IC

AK7738VQ
AK5720VT
NJM2740V
74LCX157FT
74LCX157FT

Q 3826 Bipolar Transistor
Q 3827 Resistor Built-in Transistor
Q 3901 FET
Q 3902 FET
Q 3903 FET
Q 3904 FET
Q 4602 Bipolar Transistor
Q 4603 Bipolar Transistor
Q 4604 Bipolar Transistor
Q 4605 Bipolar Transistor

LSAR523UB
LTC014EEB
LTC014EEB
FK8V03050
FK8V03050
FK8V03040

IC 2601 Converter IC
IC 2602 Op-amp IC
IC 2702 Logic IC
IC 3802 Regulator IC
IC 3804 IC

WM8761BGED
NJM2740V
TC7SZ126FUS2
MM3479A15P
NJM2387ADL3

Q 5851 Bipolar Transistor
Q 9501 Transistor
D 3901 Schottky Diode
D 3902 Schottky Diode
D 3903 Rectifier Diode

LSAR523UB
2SAR293PGZE
DB2J41100
DB2J41100
DAN202UM

IC 3805 Logic IC
IC 3807 Regulator IC
IC 3901 IC
IC 3952 DC/DC Converter IC
*IC4002 Blank Flash IC

TC7SH08FUS2
NJW4181U3-33B
LTC3850IGN
MM3630BR
UPD70F3925AGMA

D 4003 Switching Diode
D 4007 Schottky Diode
D 4008 Schottky Diode
D 4009 Schottky Diode
D 4010 Schottky Diode

1SS355VM
DB2J31400
DB2J31400
DB2J31400
DB2J31400

IC 4003 Reset IC
IC 4004 ROM IC
IC 4005 Buffer Logic IC
IC 4401 DC/DC Converter IC
IC 4502 IC

PST8229N
M93C86-WMN6P
TC7SZ07FUS1
MM3630BR
AK8814VQ

D 4301 Schottky Diode
D 5851 Diode
D 5852 Diode
D 5853 Diode
D 5854 Diode

DB2J31400
EZAEG2A50AX
EZAEG2A50AX
DZ2J180M0
EZAEG2A50AX

IC 4605 V Amp IC
IC 4606 V Amp IC

BH7673G
BH7673G

D 5855 Diode
D 5856 Diode
D 5901 Switching Diode
D 9501 Schottky Diode
L 2501 Ferrite Bead

EZAEG2A50AX
DZ2J180M0
1SS355VM
DB2J31400
CTF1528

L 2502 Ferrite Bead

CTF1528

<u>Circuit Symbol and No.</u>	<u>Part No.</u>	<u>Circuit Symbol and No.</u>	<u>Part No.</u>
L 2601 Ferrite Bead	CTF1528	R 2209	RS1/16SS221J
L 3801 Ferrite Bead	CTF1528	R 2214	RS1/16SS0R0J
L 3901 Coil	CTH1603	R 2215	RS1/16SS0R0J
L 3902 Inductor	CTH1476	R 2217	CCN1432
		R 2303	RS1/16SS222J
L 3953 SMD SPL Inductor	CTH1584		
L 4001 Inductor	CTF1547		
L 4302 SMD Ferrite Beads	CTF1869	R 2306	RS1/16SS103J
L 4305 SMD Ferrite Beads	CTF1869	R 2307	RS1/16SS103J
L 4401 SMD SPL Inductor	CTH1584	R 2308	RS1/16SS103J
		R 2312	RS1/16SS0R0J
L 4601 SMD Ferrite Beads	CTF1869	R 2314	RS1/16SS101J
L 4602 SMD Ferrite Beads	CTF1869		
L 4603 SMD Ferrite Beads	CTF1869	R 2315	RS1/16SS470J
L 4604 SMD Ferrite Beads	CTF1869	R 2316	RS1/16SS470J
L 4605 SMD Ferrite Beads	CTF1869	R 2317	RS1/16SS470J
		R 2318	RS1/16SS101J
L 4606 Chip Beads	VTL1127	R 2319	RS1/16SS470J
L 4607 Chip Beads	VTL1126		
L 4608 Chip Beads	VTL1126	R 2320	RS1/16SS0R0J
L 4609 Chip Beads	VTL1126	R 2322	RS1/16SS0R0J
L 4610 Chip Beads	VTL1126	R 2331	RS1/16SS0R0J
		R 2332	RS1/16SS223J
L 4611 Chip Beads	VTL1126	R 2336	RS1/16SS0R0J
L 4612 Chip Beads	VTL1126		
L 4613 Chip Beads	VTL1126	R 2338	RS1/16SS0R0J
L 4614 Chip Beads	VTL1126	R 2339	RS1/16SS0R0J
L 4615 Chip Beads	VTL1126	R 2340	RS1/16SS0R0J
		R 2341	RS1/16SS0R0J
L 4701 Chip Beads	VTL1126	R 2342	RS1/16SS220J
L 4702 Chip Beads	VTL1126		
L 4703 Chip Beads	VTL1126	R 2343	RS1/16SS220J
L 4704 Chip Beads	VTL1126	R 2344	RS1/16SS220J
L 4705 Chip Beads	VTL1126	R 2345	RS1/16SS0R0J
		R 2346	RS1/16SS103J
L 4706 Chip Beads	VTL1126	R 2349	RS1/16SS0R0J
L 4707 Chip Beads	VTL1126		
L 9501 SMD SPL Inductor	LCYA1R0J2016	R 2350	RS1/16SS0R0J
L 9502 Chip Ferrite Bead	OTL8019	R 2402	RS1/16SS0R0J
L 9503 Inductor	CTF1547	R 2404	RS1/16SS0R0J
		R 2405	RS1/16SS0R0J
L 9504 Inductor	CTF1547	R 2408	RS1/10SR0R0J
L 9804 Resistor	RS1/16SS0R0J		
X 2301 Resonator 12.288 MHz	CSS1811	R 2409	RS1/16SS222J
X 4001 Resonator 3.932 16 MHz	CSS1772	R 2410	RS1/16SS103J
X 4601 Resonator 32.000 MHz	CSS1816	R 2411	RS1/16SS0R0J
		R 2413	RS1/10SR0R0J
X 4701 Resonator 32.000 MHz	CSS1816	R 2414	RS1/10SR0R0J
CN2201 30P Connector	VKN1620		
CN2701 FFC/FPC Connector	CKS6703	R 2415	RS1/10SR0R0J
CN3801 Connector	CKS4822	R 2416	RS1/10SR0R0J
CN3802 Plug	CKM1599	R 2417	RS1/16SS0R0J
		R 2418	RS1/16SS0R0J
CN5801 FFC/FPC Connector	CKS6709	R 2419	RS1/16SS0R0J
CN5802 FFC/FPC Connector	CKS6707		
CN5902 Connector	CKS6833	R 2420	RS1/16SS0R0J
CN9501 B to B Connector	CKS6599	R 2422	RS1/16SS103J
CN9801 B to B Connector	CKS6675	R 2436	RS1/16SS103J
		R 2438	RS1/16SS103J
JA4301 Connector	CKS6438	R 2440	RS1/16SS333J
JA5851 Connector	DKN1416		
JA5852 Connector	DKN1416	R 2441	RS1/16SS473J
JA9501 Connector	CKS5702	R 2442	RS1/16SS101J
		R 2443	RS1/16SS273J
		R 2472	RS1/16SS103J
		R 2502	RS1/16SS103J
RESISTORS			
R 2126	RS1/4SA0R0J		
R 2127	RS1/4SA0R0J	R 2506	RS1/16SS101J
R 2201	RS1/16SS102J	R 2507	RS1/16SS103J
R 2204	RS1/16SS471J	R 2508	RS1/16SS103J
R 2208	RS1/16SS221J	R 2509	RS1/16SS330J

	<u>Circuit Symbol and No.</u>	<u>Part No.</u>		<u>Circuit Symbol and No.</u>	<u>Part No.</u>
	R 2510	RS1/16SS330J		R 3853	RS1/16SS102J
				R 3860	RS1/16SS102J
A	R 2511	RS1/16SS101J			
	R 2512	RS1/16SS330J		R 3861	RS1/16SS102J
	R 2513	RS1/16SS103J		R 3862	RS1/16SS472J
	R 2514	RS1/16SS101J		R 3863	RS1/16SS102J
	R 2515	RS1/16SS101J		R 3868	RS1/10SR103J
				R 3869	RS1/16SS272J
	R 2516	RS1/16SS104J			
	R 2517	RS1/16SS222J		R 3872	RS1/16SS332J
	R 2518	RS1/16SS222J		R 3873	RS1/10SR151J
	R 2519	RS1/16SS104J		R 3874	RS1/10SR221J
	R 2520	RS1/16SS104J		R 3877	RS1/16SS0R0J
				R 3884	RS1/16SS102J
	R 2521	RS1/16SS222J			
B	R 2522	RS1/16SS104J		R 3885	RS1/16SS0R0J
	R 2523	RS1/16SS104J		R 3886	RS1/16SS222J
	R 2524	RS1/16SS104J		R 3887	RS1/16SS332J
	R 2525	RS1/16SS104J		R 3888	RS1/16SS0R0J
				R 3893	RS1/16SS0R0J
	R 2526	RS1/16SS101J			
	R 2602	RS1/16SS821J		R 3899	RS1/16SS683J
	R 2603	RS1/16SS821J		R 3900	RS1/16SS683J
	R 2604	RS1/16SS0R0J		R 3901	CCN1187
	R 2605	RS1/16SS0R0J		R 3902	RS1/10SR472J
				R 3903	RS1/16SS242J
	R 2606	RS1/16SS0R0J			
	R 2608	RS1/16SS0R0J		R 3904	RS1/10SR0R0J
C	R 2609	RS1/16SS183J		R 3905	RS1/16SS242J
	R 2610	RS1/16SS223J		R 3906	RS1/10SR0R0J
	R 2612	RS1/16SS472J		R 3907	RS1/16SS4703D
				R 3908	RS1/16SS1503D
	R 2613	RS1/16SS163J			
	R 2614	RS1/16SS101J		R 3909	RS1/16SS100J
	R 2616	RS1/16SS153J		R 3910	RS1/16SS100J
	R 2618	RS1/16SS223J		R 3912	RS1/16SS100J
	R 2619	RS1/16SS0R0J		R 3913	RS1/16SS104J
				R 3914	RS1/16SS104J
	R 2705	RS1/16SS0R0J			
	R 2710	RS1/16SS0R0J		R 3915	RS1/16SS100J
	R 2726	RS1/16SS101J		R 3917	RS1/10SR0R0J
D	R 2729	RS1/16SS0R0J		R 3918	RS1/10SR0R0J
	R 2730	RS1/16SS0R0J		R 3919	RS1/10SR103J
				R 3920	RS1/16SS1302D
	R 3804	RS1/16SS123J			
	R 3809	RS1/16SS0R0J		R 3921	RS1/10SR2R2J
	R 3810	RS1/8SQ0R0J		R 3922	CCN1187
	R 3812	RS1/16SS683J		R 3923	CCN1334
	R 3815	RS1/16SS472J		R 3924	RS1/16SS2702D
				R 3925	RS1/16SS4703D
	R 3816	RS1/16SS472J			
	R 3818	RS1/16SS272J		R 3926	RS1/16SS1503D
	R 3828	RS1/10SR103J		R 3927	CCN1334
	R 3829	RS1/16SS683J		R 3928	RS1/16SS0R0J
E	R 3831	RS1/10SR561J		R 3929	RS1/16SS0R0J
				R 3932	RS1/16SS0R0J
	R 3835	RS1/16SS683J			
	R 3836	RS1/16SS683J		R 3939	RS1/16SS222J
	R 3837	RS1/10SR103J		R 3940	RS1/16SS222J
	R 3838	RS1/8SQ0R0J		R 3947	RS1/16SS0R0J
	R 3840	RS1/10SR103J		R 3950	RS1/16SS0R0J
				R 3951	RS1/16SS0R0J
	R 3841	RS1/10SR331J			
	R 3842	RS1/16SS103J		R 3952	RS1/16SS0R0J
	R 3843	RS1/16SS103J		R 3953	RS1/16SS0R0J
	R 3844	RS1/16SS103J		R 3954	RS1/16SS0R0J
	R 3847	RS1/16SS0R0J		R 3955	RS1/16SS0R0J
F				R 3956	RS1/16SS0R0J
	R 3850	RS1/16SS102J			
	R 3851	RS1/16SS102J		R 3958	RS1/16SS152J
	R 3852	RS1/16SS103J		R 3971	RS1/16SS392J

10 mohm

10 mohm
0.013 ohm

0.013 ohm

<u>Circuit Symbol and No.</u>	<u>Part No.</u>	<u>Circuit Symbol and No.</u>	<u>Part No.</u>
R 3972	RS1/16SS3001D	R 4085	RS1/16SS101J
R 3973	RS1/16SS1602D	R 4088	RS1/16SS101J
R 3974	RS1/10SR0R0J	R 4091	RS1/16SS101J
		R 4097	RS1/16SS101J
R 3975	RS1/16SS1501D		
R 3976	RS1/16SS473J	R 4098	RS1/16SS101J
R 3977	RS1/16SS304J	R 4099	RS1/16SS101J
R 3979 0.1 ohm	CCN1339	R 4103	RS1/16SS102J
R 3980	RS1/8SQ0R0J	R 4104	RS1/16SS102J
		R 4105	RS1/16SS102J
R 3982	RS1/4SA331J		
R 3984	RS1/16SS122J	R 4106	RS1/16SS102J
R 3985	RS1/16SS0R0J	R 4108	RS1/16SS473J
R 4002	RS1/16SS223J	R 4109	RS1/16SS473J
R 4003	RS1/16SS101J	R 4110	RS1/16SS473J
		R 4111	RS1/16SS472J
R 4006	RS1/16SS473J		
R 4010	RS1/16SS0R0J	R 4112	RS1/16SS103J
R 4011	RS1/16SS0R0J	R 4114	RS1/16SS101J
R 4019	RS1/16SS100J	R 4115	RS1/16SS104J
R 4022	RS1/16SS104J	R 4116	RS1/16SS101J
		R 4122	RS1/16SS104J
R 4024	RS1/16SS102J		
R 4025	RS1/16SS102J	R 4125	RS1/16SS104J
R 4026	RS1/16SS681J	R 4127	RS1/16SS221J
R 4027	RS1/16SS101J	R 4128	RS1/16SS221J
R 4028	RS1/16SS101J	R 4129	RS1/16SS221J
		R 4132	RS1/16SS101J
R 4029	RS1/16SS101J		
R 4030	RS1/16SS104J	R 4133	RS1/16SS101J
R 4031	RS1/16SS104J	R 4135	RS1/16SS101J
R 4033	RS1/16SS104J	R 4137	RS1/16SS101J
R 4034	RS1/16SS104J	R 4138	RS1/16SS101J
		R 4144	RS1/16SS101J
R 4036	RS1/16SS101J		
R 4037	RS1/16SS101J	R 4149	RS1/16SS103J
R 4038	RS1/16SS101J	R 4150	RS1/16SS101J
R 4039	RS1/16SS101J	R 4151	RS1/16SS101J
R 4041	RS1/16SS473J	R 4153	RS1/16SS101J
		R 4154	RS1/16SS101J
R 4042	RS1/16SS101J		
R 4043	RS1/16SS101J	R 4155	RS1/16SS101J
R 4046	RS1/16SS101J	R 4156	RS1/16SS101J
R 4049	RS1/16SS101J	R 4157	RS1/16SS101J
R 4050 (B)	RS1/16SS101J	R 4159	RS1/16SS104J
		R 4160 (B)	RS1/16SS104J
R 4051	RS1/16SS470J		
R 4052	RS1/16SS470J	R 4163 (D)	RS1/16SS104J
R 4053	RS1/16SS182J	R 4164	RS1/16SS104J
R 4054	RS1/16SS182J	R 4170	RS1/16SS222J
R 4055	RS1/16SS101J	R 4176	RS1/16SS101J
		R 4177	RS1/16SS101J
R 4056 (B)	RS1/16SS101J		
R 4062	RS1/16SS473J	R 4178	RS1/16SS101J
R 4063	RS1/16SS473J	R 4185	RS1/16SS101J
R 4064	RS1/16SS473J	R 4187	RS1/16SS101J
R 4066	RS1/16SS101J	R 4190	RS1/16SS101J
		R 4192	RS1/16SS101J
R 4068	RS1/16SS101J		
R 4069	RS1/16SS101J	R 4195	RS1/16SS1001D
R 4071	RS1/16SS101J	R 4196	RS1/16SS1001D
R 4073	RS1/16SS104J	R 4198 (B)	RS1/16SS104J
R 4074	RS1/16SS101J	R 4199 (B)	RS1/16SS102J
		R 4201	RS1/16SS823J
R 4075	RS1/16SS101J		
R 4078	RS1/16SS104J	R 4202	RS1/16SS102J
R 4079	RS1/16SS104J	R 4212	RS1/16SS472J
R 4080	RS1/16SS101J	R 4213	RS1/16SS471J
R 4083	RS1/16SS101J	R 4214	RS1/10SR471J
		R 4217	RS1/16SS472J
R 4084	RS1/16SS101J		

	<u>Circuit Symbol and No.</u>	<u>Part No.</u>	<u>Circuit Symbol and No.</u>	<u>Part No.</u>
	R 4223 (B)	RS1/16SS101J		
	R 4250	RS1/16SS103J	R 4534	RS1/16SS470J
A	R 4251	RS1/16SS103J	R 4535	RS1/16SS103J
	R 4253	RS1/16SS101J	R 4539	RS1/16SS2200D
	R 4261	RS1/16SS101J	R 4540	RS1/16SS6801F
			R 4541	RS1/16SS101J
	R 4264	RS1/16SS473J		
	R 4265	RS1/16SS104J	R 4542	RS1/16SS103J
	R 4266	RS1/16SS183J	R 4544	RS1/10SR0R0J
	R 4267	RS1/16SS104J	R 4605	RS1/16SS151J
	R 4270	RS1/16SS0R0J	R 4608	RS1/16SS151J
			R 4609	RS1/16SS151J
	R 4281	RS1/16SS104J		
	R 4283	RS1/16SS473J	R 4613	RS1/16SS104J
	R 4284	RS1/16SS105J	R 4615	RS1/16SS104J
B	R 4285	RS1/16SS103J	R 4617	RS1/16SS104J
	R 4286	RS1/16SS473J	R 4619	RS1/16SS101J
			R 4620	RS1/16SS243J
	R 4288	RS1/16SS103J		
	R 4291 (B)	RS1/16SS1802D	R 4621	RS1/16SS333J
	R 4293	RS1/16SS333J	R 4629	RS1/16SS151J
	R 4294	RS1/16SS101J	R 4632	RS1/16SS472J
	R 4295	RS1/16SS101J	R 4633	RS1/16SS473J
			R 4636	RS1/16SS821J
	R 4296	RS1/16SS473J		
	R 4297	RS1/16SS104J	R 4637	RS1/16SS105J
	R 4298	RS1/16SS104J	R 4641	RS1/16SS103J
	R 4299	RS1/16SS104J	R 4647	RS1/16SS391J
C	R 4300 (B)	RS1/16SS101J	R 4648	RS1/16SS391J
			R 4649	RS1/16SS391J
	R 4309	RS1/16SS470J		
	R 4310	RS1/16SS470J	R 4650	RS1/16SS391J
	R 4311	RS1/16SS470J	R 4651	RS1/16SS391J
	R 4312	RS1/16SS180J	R 4652	RS1/16SS391J
	R 4313	RS1/16SS470J	R 4653	RS1/16SS391J
			R 4654	RS1/16SS391J
	R 4314	RS1/16SS470J		
	R 4316	RS1/16SS103J	R 4655	RS1/16SS391J
	R 4317	RS1/16SS103J	R 4656	RS1/16SS391J
	R 4318	RS1/16SS103J	R 4657	RS1/16SS391J
	R 4320	RS1/16SS103J	R 4659	RS1/16SS0R0J
D			R 4660	RS1/16SS0R0J
	R 4321	RS1/16SS103J		
	R 4326	RS1/16SS330J	R 4661	RS1/16SS0R0J
	R 4327	RS1/16SS330J	R 4662	RS1/16SS0R0J
	R 4335	RS1/16SS103J	R 4708	RS1/16SS1000D
	R 4336	RS1/16SS103J	R 4709	RS1/16SS1000D
			R 4710	RS1/16SS1000D
	R 4337	RS1/16SS103J		
	R 4339	RS1/16SS103J	R 4711	RS1/16SS1000D
	R 4340	RS1/16SS103J	R 4712	RS1/16SS1000D
	R 4345	RS1/16SS0R0J	R 4713	RS1/16SS75R0D
	R 4347	RS1/10SR0R0J	R 4714	RS1/16SS472J
			R 4715	RS1/16SS472J
E	R 4401	RS1/10SR0R0J		
	R 4402	RS1/16SS0R0J	R 4720	RS1/16SS473J
	R 4403	RS1/16SS1602D	R 4721	RS1/16SS103J
	R 4404	RS1/16SS3001D	R 4722	RS1/16SS105J
	R 4405	RS1/16SS392J	R 4723	RS1/16SS102J
			R 4724	RS1/16SS0R0J
	R 4406	RS1/16SS122J		
	R 4407	RS1/16SS1501D	R 5520	RS1/10SR271J
	R 4408	RS1/16SS304J	R 5521	RS1/10SR271J
	R 4411	RS1/8SQ0R0J	R 5522	RS1/10SR271J
	R 4412	RS1/16SS473J	R 5807 (B)	RS1/16SS0R0J
			R 5809 (B)	RS1/16SS0R0J
	R 4414 0.1 ohm	CCN1339		
F	R 4415	RS1/4SA331J	R 5819	RS1/16SS470J
	R 4527	RS1/16SS103J	R 5820	RS1/16SS470J
	R 4528	RS1/16SS0R0J	R 5821	RS1/16SS470J
	R 4533	RS1/16SS0R0J	R 5838	RS1/16SS0R0J

<u>Circuit Symbol and No.</u>	<u>Part No.</u>	<u>Circuit Symbol and No.</u>	<u>Part No.</u>
R 5851	RS1/16SS473J	C 2301 C 2306	CKSSYX105K10 CKSSYX105K10
R 5852	RS1/16SS472J		
R 5853	RS1/16SS103J	C 2308	CKSSYB104K10
R 5854	RS1/16SS104J	C 2309	CKSSYB104K10
R 5855	RS1/10SR0R0J	C 2310	CKSSYB104K10
R 5856	RS1/10SR0R0J	C 2312 C 2313	CKSRYX225K10 CKSRYX105K25
R 5861	RS1/10SR0R0J		
R 5862	RS1/10SR0R0J	C 2314	CKSSYB104K10
R 5865	RS1/16SS392J	C 2315	CKSRYX225K10
R 5935	RS1/16SS101J	C 2316	CKSSYB104K10
R 5936	RS1/16SS103J	C 2317 C 2318	CKSQYX106K10 CKSSYB104K10
R 5937	RS1/16SS0R0J		
R 5938	RS1/16SS0R0J	C 2324	CCSSCH120J50
R 5941	RS1/16SS104J	C 2325	CCSSCH120J50
R 5962	RS1/16SS102J	C 2327	CKSSYX105K10
R 5963	RS1/16SS102J	C 2402 C 2404	CKSSYX105K10 CKSRYB474K10
R 8010	RS1/16SS103J		
R 8054 (B)	RS1/16SS0R0J	C 2405	CKSQYX106K10
R 8055 (D)	RS1/16SS0R0J	C 2406	CKSQYX106K10
R 8057	RS1/16SS471J	C 2407	CKSSYB104K10
R 9502	RS1/16SS103J	C 2408 C 2411	CKSSYB104K10 CKSRYX225K10
R 9503	RS1/16SS10R0D		
R 9504	RS1/16SS1501D	C 2418	CKSSYB471K50
R 9505	RS1/16SS2402D	C 2419	CKSSYB561K50
R 9506	RS1/16SS3302D	C 2420	CCSSCH680J50
R 9509	RS1/16SS2202D	C 2421 C 2502	CKSSYB104K10 CCSSCH101J50
R 9510	RS1/16SS2202D		
R 9511	RS1/16SS432J	C 2503	CCSSCH101J50
R 9513	RS1/16SS471J	C 2504	CKSSYB104K16
R 9514	RS1/16SS472J	C 2505	CKSSYB104K16
R 9518	RS1/16SS0R0J	C 2506 C 2507	CCSSCH101J50 CCSSCH101J50
R 9520	RS1/16SS1801D		
R 9521	RS1/16SS3002D	C 2508	CCSSCH101J50
R 9522	RS1/16SS3302D	C 2509	CCSSCH101J50
R 9524	RS1/16SS103J	C 2510	CCSSCH101J50
R 9527	RS1/16SS102J	C 2511 C 2601	CCSSCH101J50 CKSQYX106K10
R 9528	RS1/16SS102J		
R 9530	RS1/10SR0R0J	C 2602	CKSSYB104K16
R 9531	RS1/16SS4702D	C 2603	CKSSYB104K10
R 9532	RS1/16SS4702D	C 2604	CKSQYX106K10
R 9533	RS1/16SS4702D	C 2605 C 2606	CKSSYB182K50 CKSSYB182K50
R 9802	RS1/10SR0R0J		
R 9804	RS1/10SR0R0J	C 2608	CKSRYB474K10
R 9806	RS1/10SR0R0J	C 2609	CCSSCH101J50
R 9809	RS1/16SS0R0J	C 2610	CCSSCH680J50
R 9820	RS1/10SR0R0J	C 2611 C 2612	CKSSYB104K10 CKSRYX225K10
R 9821	RS1/10SR0R0J		
R 9825	RS1/16SS0R0J	C 2613	CCSSCH120J50
R 9835	RS1/16SS0R0J	C 2701	CKSSYB104K16
R 9857	RS1/16SS103J	C 2703	CKSSYB104K16
R 9858	RS1/16SS103J	C 2706 C 3801	CKSSYB104K10 CKSSYX105K10
R 9859	RS1/16SS103J		
R 9860	RS1/16SS103J	C 3804	CKSSYB104K10
R 9871	RS1/16SS0R0J	C 3807 C 3811 C 3813 C 3814	CKSSYB104K16 CCG1333 CEVW101M16 CKSSYX105K10
<u>CAPACITORS</u>		1 uF	
C 2201	CKSSYB104K10		
C 2204	CKSSYB104K16	C 3815	CKSSYX105K10
C 2205	CKSSYB104K16	C 3816	CKSSYB102K50

Circuit Symbol and No.Part No.Circuit Symbol and No.Part No.

	C 3817	47 uF	CCG1256	C 3975		CKSRYP224K16
	C 3819		CKSSYB104K16	C 3976	10 uF	CCG1236
A	C 3828		CKSRYPX105K50	C 4001		CKSQYX106K10
				C 4010		CKSSYB104K10
	C 3829		CKSSYB103K50	C 4011		CKSSYB104K10
	C 3830		CKSSYB102K50	C 4012		CKSRYPX475K10
	C 3833		CKSQYX106K10	C 4013		CKSSYB104K10
	C 3834		CKSSYB104K16	C 4014		CKSSYB104K10
	C 3836		CKSSYB104K10	C 4015		CKSSYB104K10
	C 3837		CKSSYX105K10	C 4016		CKSSYB104K10
	C 3838		CKSSYB104K10	C 4017		CCSSCH220J50
	C 3840		CKSSYB104K16	C 4018		CCSSCH220J50
	C 3841	47 uF	CCG1256	C 4019		CKSSYX105K10
	C 3844		CKSSYB104K10	C 4020		CKSSYB104K10
B	C 3845		CKSRYPX104K50	C 4021		CKSSYB102K50
	C 3847		CKSYX476M10	C 4030		CCSSCH101J50
	C 3852		CKSSYB104K10	C 4039		CKSSYB104K10
	C 3853		CKSSYX104K50	C 4041		CKSSYB104K10
	C 3854		CKSSYX104K50	C 4042		CKSSYB104K10
	C 3855		CKSSYX104K50	C 4044		CKSSYB103K16
	C 3856		CKSSYX104K50	C 4054		CKSSYB103K16
	C 3857		CKSSYX104K50	C 4056		CKSSYB104K10
	C 3858		CKSSYX104K50	C 4058		CKSQYX226M10
	C 3859		CKSSYX104K50	C 4308		CKSSYB104K16
C	C 3860		CKSSYX104K50	C 4309		CKSSYB104K16
	C 3861		CKSSYX104K50	C 4311		CKSQYX106K10
	C 3862		CKSSYX104K50	C 4312		CKSRYPX104K50
	C 3863		CKSSYX104K50	C 4401		CKSSYB332K50
	C 3864		CKSSYX104K50	C 4402		CKSSYB222K50
	C 3901		CCSSCH221J50	C 4403		CCSSCH101J50
	C 3902		CKSSYB122K50	C 4404		CKSSYB153K16
	C 3903		CCSSCH221J50	C 4405		CKSRYPX225K10
	C 3904		CKSSYB122K50	C 4406		CKSSYX105K10
	C 3905		CCSSCH150J50	C 4408	10 uF	CCG1236
	C 3906		CKSSYB102K50	C 4409		CKSSYB104K16
D	C 3907		CCSSCH150J50	C 4410		CKSYX226M16
	C 3908		CKSSYB102K50	C 4411		CKSRYPB224K16
	C 3909		CKSSYB182K50	C 4412		CEVW101M16
	C 3910		CKSSYB222K50	C 4514		CKSSYB104K10
	C 3911		CKSRYPX475K10	C 4515		CKSSYB104K10
	C 3912		CKSRYPX104K50	C 4516		CKSSYB104K10
	C 3913		CKSRYPX104K50	C 4517		CKSSYB103K16
	C 3914		CKSRYPX104K50	C 4518		CKSSYB103K16
	C 3915	10 uF	CCG1236	C 4519		CKSQYX106K10
	C 3916	10 uF	CCG1236	C 4520		CKSSYB103K16
	C 3919		CKSYX476M10	C 4521		CKSSYB103K16
E	C 3920		CKSYX476M10	C 4522		CKSQYX106K10
	C 3921		CKSSYB472K50	C 4523		CKSQYX106K10
	C 3922		CKSYX476M10	C 4524		CCSSCH101J50
	C 3923		CKSYX476M10	C 4601		CKSQYX106K10
	C 3924		CKSYX476M10	C 4608		CKSSYB104K10
	C 3966		CKSSYB153K16	C 4609		CKSSYB104K10
	C 3967		CKSSYB222K50	C 4610		CKSSYB104K10
	C 3968		CCSSCH101J50	C 4611		CKSRYPX105K16
	C 3969		CKSSYB332K50	C 4612		CKSRYPX105K16
	C 3970		CKSSYX105K10	C 4613		CKSRYPX105K16
	C 3971		CKSSYB104K16	C 4626		CKSSYB104K10
F	C 3972		CKSYX226M16	C 4627		CKSRYPX105K16
	C 3973		CKSRYPX225K10	C 4628		CKSRYPX105K16
	C 3974		CEVW101M16			

<u>Circuit Symbol and No.</u>	<u>Part No.</u>	<u>Circuit Symbol and No.</u>	<u>Part No.</u>
C 4629	CKSSYB104K10	C 4726	CKSSYB104K10
C 4630	CKSRyx105K16	C 4727	CKSQYX106K10
C 4631	CKSRyx105K16	C 4728	CKSSYB104K10
C 4632	CKSSYB104K10	C 4729	CKSQYX106K10
C 4633	CKSRyx105K16	C 4730	CKSSYB104K10
C 4634	CKSRyx105K16	C 4731	CKSQYX106K10
C 4636	CKSQYX106K10	C 4732	CKSSYB104K10
C 4641	CKSSYB104K10	C 4733	CKSQYX106K10
C 4642	CKSSYB102K50	C 4734	CKSSYB104K10
C 4643	CKSSYB102K50	C 4735	CCSSCH120J50
C 4644	CKSSYB103K16	C 4736	CCSSCH120J50
C 4645	CKSSYX474K6R3	C 4737	CKSRyx105K16
C 4646	CKSSYX474K6R3	C 4738	CKSSYB103K16
C 4647	CKSSYX474K6R3	C 4739	CKSSYB104K10
C 4648	CKSSYB104K10	C 4740	CKSSYB104K10
C 4649	CKSSYB104K10	C 4741	CKSSYB104K10
C 4650	CKSSYB102K50	C 4742	CKSSYB104K10
C 4651	CKSSYB104K10	C 4743	CKSSYB103K16
C 4652	CKSRyx105K16	C 5801	CKSSYB104K10
C 4653	CKSSYB104K10	C 5802	CKSSYB104K10
C 4654	CKSSYB104K10	C 5803	CKSSYB104K16
C 4655	CKSSYB104K10	C 5851	CKSSYB104K10
C 4656	CKSSYB104K10	C 5854	CKSQYX226M16
C 4657	CKSSYB104K10	C 5855	CKSSYB104K10
C 4658	CKSSYB104K10	C 5860	CKSSYB104K10
C 4659	CCSSCH9R0D50	C 5861	CKSSYX105K6R3
C 4660	CCSSCH150J50	C 5862	CKSSYB103K16
C 4661	CKSQYX106K10	C 5863	CKSSYB104K10
C 4662	CKSSYB103K16	C 5864	CKSSYB104K10
C 4663	CKSSYB104K10	C 5907	CKSSYB104K10
C 4664	CKSSYB104K10	C 5909	CKSSYB104K10
C 4665	CKSQYX106K10	C 8007	CKSRyx104K50
C 4666	CKSQYX106K10	C 9501	CKSSYB102K50
C 4667	CKSQYX106K10	C 9502	CKSSYB103K16
C 4669	CKSSYB104K10	C 9503	CKSSYB104K10
C 4701	CKSQYX106K10	C 9504	CKSSYB104K10
C 4702	CKSSYB104K10	C 9505	CKSSYB103K16
C 4703	CKSQYX106K10	C 9507	CCSSCH101J50
C 4704	CKSSYB104K10	C 9509	CKSSYB104K10
C 4705	CKSQYX106K10	C 9510	CKSSYB104K10
C 4706	CKSSYB104K10	C 9515	CKSSYB104K16
C 4707	CKSQYX106K10	C 9516	CKSSYB104K16
C 4708	CKSSYB104K10	C 9517	CKSSYB102K50
C 4709	CKSQYX106K10	C 9801	CKSYX226K10
C 4710	CKSSYB104K10	C 9803	CKSYX226K10
C 4711	CKSQYX106K10	C 9810	CCSSCH220J50
C 4712	CKSSYB104K10	C 9828	CKSSYB104K16
C 4713	CKSQYX106K10	C 9832	CKSSYB104K16
C 4714	CKSSYB104K10	C 9836	CKSSYB104K16
C 4715	CKSQYX106K10	C 9838	CKSSYB104K16
C 4716	CKSSYB104K10	C 9840	CKSSYB104K16
C 4717	CKSQYX106K10		
C 4718	CKSSYB104K10		
C 4719	CKSQYX106K10		
C 4720	CKSSYB104K10		
C 4721	CKSSYB103K16		
C 4722	CKSSYB102K50		
C 4723	CKSQYX106K10		
C 4724	CKSSYB104K10		
C 4725	CKSQYX106K10		



Unit Number: CXY1390

Unit Name : Service Ant Unit

MISCELLANEOUS

Circuit Symbol and No.**Part No.****Circuit Symbol and No.****Part No.**

L 2012 Inductor LCYB10NJ1005
 L 2013 Inductor LCYB2N7S1005
 CN2011 B to W Connector CKS6508
 CN2012 B to W Connector CKS6508

R 9673
 R 9674

RS1/16SS101J
 RS1/16SS101J

CAPACITORS

C 2017 CCSSCK1R0C50
 C 2022 CCSSCK1R5C50

R 9675
 R 9676
 R 9677
 R 9678
 R 9679

RS1/16SS101J
 RAB4CQ473J
 RS1/16SS473J
 RS1/16SS473J
 RS1/16SS473J

F**Unit Number: CWX4951****Unit Name : CHIPS B COMP Unit**

R 9680
 R 9681
 R 9682

RS1/16SS473J
 RS1/16SS392J
 RS1/16SS104J
 RS1/16SS473J
 RS1/16SS473J

MISCELLANEOUS

IC 9601 IC UBX-M8030-KT
 IC 9602 Temperature Sensor S-5851AAA-I6U
 *IC9651 Blank Flash IC R5S726A0D216FP
 IC 9652 FlashROM Unit CVQ1128
 IC 9653 IC S-80827CNMC-B8M

R 9688
 R 9689
 R 9690
 R 9691
 R 9692

RS1/16SS473J
 RS1/16SS473J
 RS1/16SS101J
 RS1/16SS101J
 RS1/16SS101J

IC 9654 Regulator IC MM3411Z12N
 D 9651 Rectifier Diode DA2J101
 L 9601 Inductor CTF1795
 L 9602 Inductor LCYB8N2J1005
 L 9604 Chip Ferrite Bead OTL8019

R 9693
 R 9694
 R 9695
 R 9696
 R 9697

RS1/16SS101J
 RS1/16SS103J
 RS1/16SS101J
 RS1/16SS101J
 RS1/16SS272J

CAPACITORS

L 9605 Chip Ferrite Bead OTL8019
 L 9606 Chip Ferrite Bead OTL8019
 L 9651 Chip Ferrite Bead OTL8019
 L 9652 Chip Ferrite Bead OTL8019
 L 9653 Chip Ferrite Bead OTL8019

C 9506
 C 9601
 C 9602 1 uF
 C 9603 2.2 uF
 C 9604 1 uF

CCSSCH101J50
 CKSSYB102K50
 DCH1246
 CCG1218
 DCH1246

X 9601 Crystal Resonator 26.000000 MHz CWX4769
 X 9602 Crystal Resonator 32.768 kHz CSS1880
 X 9651 Crystal Resonator 10.000 MHz CSS1799
 CN9601 Connector CKS5204
 SN9601 Gyro Sensor CSX1383

C 9605 1 uF
 C 9606
 C 9607
 C 9608 1 uF
 C 9609

DCH1246
 CCSSCH5R0C50
 CKSSYB104K10
 DCH1246
 CCSSCH6R0D50

RESISTORS

R 9601 RS1/16SS221J
 R 9602 RS1/16SS0R0J
 R 9603 RS1/16SS221J
 R 9604 RS1/16SS101J
 R 9605 RS1/16SS103J

C 9610 1 uF
 C 9611
 C 9612
 C 9613
 C 9614

DCH1246
 CKSSYB104K10
 CCSSCJ3R0C50
 CCSSCH470J50
 CKSSYB104K10

R 9606 RS1/16SS272J
 R 9607 RS1/16SS272J
 R 9608 RS1/16SS151J
 R 9623 RS1/16SS0R0J
 R 9659 RS1/16SS272J

C 9616 1 uF
 C 9617 1 uF
 C 9651
 C 9652
 C 9653

DCH1246
 DCH1246
 CKSSYB104K10
 CKSSYB104K10
 CKSSYB104K10

R 9660 RS1/16SS272J
 R 9661 RS1/16SS330J
 R 9662 RS1/16SS330J
 R 9663 RS1/16SS473J
 R 9664 RS1/16SS473J

C 9654
 C 9655
 C 9656
 C 9657
 C 9658

CKSSYB104K10
 CKSSYB104K10
 CKSSYB104K10
 CKSSYB104K10
 CKSSYB104K10

R 9665 RS1/16SS473J
 R 9666 RS1/16SS101J
 R 9667 RS1/16SS101J
 R 9668 RS1/16SS103J
 R 9669 RS1/16SS101J

C 9659
 C 9660
 C 9661
 C 9662
 C 9663

CKSSYB104K10
 CKSSYB104K10
 CKSSYB104K10
 CKSSYB104K10
 CCSSCJ3R0C50

R 9670 RS1/16SS101J
 R 9671 RS1/16SS103J
 R 9672 RS1/16SS101J

C 9664
 C 9665
 C 9666
 C 9667
 C 9668

CKSSYB104K10
 CKSSYB104K10
 CKSSYB104K10
 CKSSYB104K10
 CKSSYB104K10

<u>Circuit Symbol and No.</u>	<u>Part No.</u>	<u>Circuit Symbol and No.</u>	<u>Part No.</u>
C 9669	CKSSYB104K10	R 5024	RS1/10SR680J
C 9670	CKSSYB104K10	R 5025	RS1/10SR680J
C 9671	CKSSYB104K16		
C 9672 1 uF	DCH1246	R 5026	RS1/10SR750J
C 9673	CCSSCH120J50	R 5027	RS1/10SR101J
		R 5028	RS1/10SR101J
C 9674	CCSSCH120J50	R 5029	RS1/10SR910J
C 9675	CKSSYX474K6R3	R 5030	RS1/10SR510J
C 9676	CKSSYX474K6R3		



Unit Number: CXY1395

Unit Name : Service AVN 6.2 Monitor

MISCELLANEOUS

IC 5001 Interface IC	AK4187VN		
IC 5101 Display IC	OZ527ILN		
IC 5201 DC/DC Converter IC	R1294L103A		
Q 5001 Bipolar Transistor	HN1C01FUS1	R 5102	RS1/8SQ2R2J
Q 5002 Bipolar Transistor	LSCR523UB	R 5104	RS1/16SS0R0J
		R 5105	RS1/16SS104J
Q 5003 Bipolar Transistor	HN1C01FUS1	R 5106	RS1/16SS104J
Q 5004 Bipolar Transistor	LSCR523UB	R 5107	RS1/16SS102J
Q 5201 Resistor Built-in Transistor	LTC024EEB		
Q 5202 Transistor	2SAR502UB	R 5108	RS1/16SS0R0J
Q 5301 Bipolar Transistor	LSAR523UB	R 5109	RS1/16SS563J
		R 5110	RS1/16SS104J
Q 5302 Bipolar Transistor	LSCR523UB	R 5111	RS1/16SS101J
D 5101 Schottky Diode	DB2J41100	R 5112	RS1/16SS102J
D 5201 Schottky Diode	RB551VM-30		
D 5202 Schottky Diode	DB3S308F0	R 5113	RS1/16SS2402D
D 5203 Schottky Diode	DB3S308F0	R 5114	RS1/16SS0R0J
		R 5115	RS1/16SS1003D
D 5204 Schottky Diode	DB3S308F0	R 5116	RS1/16SS0R0J
L 5101 Inductor	BTH1112	R 5117	RS1/16SS6801D
L 5201 SMD SPL Inductor	CTH1650		
L 5301 Inductor	CTF1765	R 5118	RS1/10SR0R0J
TH5001 Thermistor	CCX1084	R 5119	RS1/16SS0R0J
		R 5120	RS1/16SS0R0J
CN5001 Connector	DKN1361	R 5121	RS1/16SS0R0J
CN5002 FFC/FPC Connector	CKS6703	R 5122	RS1/16SS0R0J
CN5003 FFC/FPC Connector	CKS6625		
CN5051 FFC/FPC Connector	CKS6639	R 5123	RS1/16SS0R0J
CN5301 FFC/FPC Connector	CKS6729	R 5124	RS1/16SS0R0J
		R 5201	RS1/16SS1002D
		R 5202	RS1/16SS1002D
		R 5203	RS1/16SS8201D

RESISTORS

R 5001	RS1/16SS221J		
R 5002	RS1/16SS621J	R 5204	RS1/16SS0R0J
R 5003	RS1/16SS181J	R 5205	RS1/16SS103J
R 5004	RS1/16SS680J	R 5206	RS1/16SS9102D
R 5005	RS1/16SS0R0J	R 5207	RS1/16SS1802D
		R 5208	RS1/16SS203J
R 5006	RS1/16SS0R0J		
R 5007	RS1/16SS0R0J	R 5209	RS1/16SS104J
R 5008	RS1/16SS0R0J	R 5210	RS1/16SS103J
R 5013	RS1/16SS183J	R 5211	RS1/16SS472J
R 5015	RS1/10SR101J	R 5212	RS1/16SS2702D
		R 5213	RS1/16SS2201D
R 5016	RS1/10SR101J		
R 5017	RS1/10SR910J	R 5214	RS1/8SQ2R2J
R 5018	RS1/10SR680J	R 5215	RS1/10SR0R0J
R 5019	RS1/10SR680J	R 5216	RS1/16SS7502D
R 5020	RS1/10SR750J	R 5217	RS1/16SS3902D
		R 5218	RS1/16SS1202D
R 5021	RS1/10SR510J		
R 5022	RS1/10SR510J	R 5219	RS1/16SS472J
R 5023	RS1/10SR680J	R 5222	RS1/16SS0R0J

Circuit Symbol and No.**Part No.****Circuit Symbol and No.****Part No.**

R 5326
R 5327
R 5329
R 5331
R 5332
R 5333
R 5334
R 5335

RS1/8SQ0R0J
RS1/16SS153J
RS1/16SS105J
RS1/16SS153J
RS1/16SS472J
RS1/16SS101J
RS1/16SS223J
RS1/16SS473J

C 5318
C 5319
C 5321
C 5322
C 5323
C 5324
C 5326

CKSRYX104K50
CKSQYB334K50
CKSSYB102K50
CKSSYB104K16
CKSRYX475K10
CKSRYX225K10
CKSSYB104K10

R 5339

RS1/16SS472J

C 5327
C 5330
C 5331

CKSYX106K35
CKSSYB102K50
CKSSYB102K50

CAPACITORS

C 5001
C 5002
C 5003
C 5004
C 5005

CKSSYB104K10
CKSSYB103K16
CKSSYB103K16
CKSSYB104K10
CKSSYB104K10

C 5006
C 5007
C 5008
C 5009
C 5010

CKSSYB103K16
CKSSYB103K16
CKSRYX106M6R3
CKSSYB104K10
CKSSYB104K10

C 5013
C 5014
C 5101
C 5103
C 5106

CKSSYX105K10
CKSSYX105K10
CKSSYB332K50
CKSQYX106K16
CKSSYX105K16

C 5107
C 5108
C 5109
C 5110
C 5112

CKSSYX105K16
CKSSYX105K16
CKSSYX105K10
CCSSCH101J50
CKSYX106K35

C 5114
C 5201
C 5203
C 5204
C 5205

CKSRYB224K16
CKSSYB224K6R3
CKSSYX105K10
CKSSYB224K6R3
CKSRYB224K16

C 5206
C 5207
C 5208
C 5209
C 5210

CKSSYB222K50
CKSSYB102K50
CKSSYX105K16
CKSSYX105K10
CKSRYX105K25

C 5212
C 5213
C 5214
C 5215
C 5217

CKSRYX105K25
CKSRYX104K50
CKSRYX104K50
CKSRYX104K50
CKSQYX475K25

C 5218
C 5219
C 5220
C 5221
C 5222

CKSSYB223K16
CKSRYX475K6R3
CCSSCH101J50
CKSSYB561K50
CKSQYX475K25

C 5224
C 5303
C 5309
C 5311
C 5312

CKSSYB221K50
CKSSYB102K50
CKSSYB104K16
CKSYX106K35
CKSSYB102K50

C 5314
C 5315
C 5317

CKSSYB104K10
CKSQYX106K10
CKSSYB102K50



Unit Number: CXY1396

Unit Name : Service AVN 6.2 Key

MISCELLANEOUS

D 6001	LED	SMLVN6RGB2UK(B)
D 6002	LED	SMLVN6RGB2UK(B)
S 6001	Push Switch(RESET)	CSG1155
S 6002	Push Switch(MAP)	CSG1155
S 6003	Push Switch(BACK)	CSG1155
S 6004	Push Switch(VR)	CSG1155
S 6005	Push Switch(EJECT)	CSG1155
S 6006	Push Switch(MODE)	CSG1155
S 6007	Push Switch(HOME)	CSG1155
S 6008	Push Switch(VOL UP)	CSG1155
S 6009	Push Switch(VOL DOWN)	CSG1155
S 6010	Switch(PARTIAL DETACH)	CSN1057
U 6001	Remote Receiver Unit	RS-470
CN6001	FFC/FPC Connector	CKS6639

RESISTORS

R 6016	RS1/16SS470J
R 6017	RS1/16SS392J
R 6018	RS1/16SS472J
R 6019	RS1/16SS123J
R 6020	RS1/16SS182J
R 6021	RS1/16SS222J
R 6022	RS1/16SS472J

CAPACITORS

C 6001	CKSSYB104K10
--------	--------------