



9. EXPLODED VIEWS AND PARTS LIST

NOTES : • Parts marked by " * " are generally unavailable because they are not in our Master Spare Parts List.

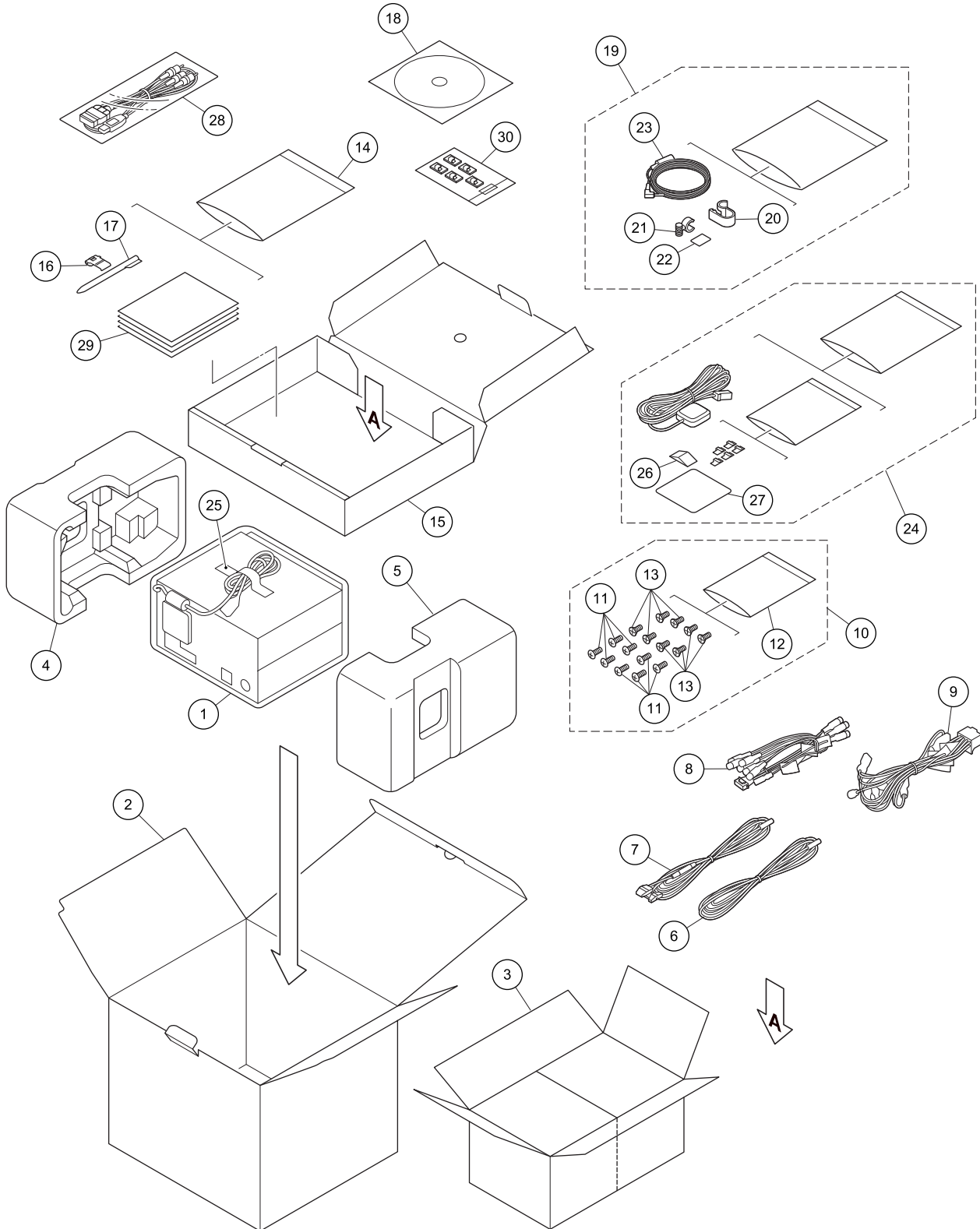
• The  mark found on some component parts indicates the importance of the safety factor of the part. Therefore, when replacing, be sure to use parts of identical designation.

• Screw adjacent to  mark on the product are used for disassembly.

• For the applying amount of lubricants or glue, follow the instructions in this manual.

(In the case of no amount instructions, apply as you think it appropriate.)

9.1 PACKING



(1) PACKING SECTION PARTS LIST

<u>Mark No.</u>	<u>Description</u>	<u>Part No.</u>	<u>Mark No.</u>	<u>Description</u>	<u>Part No.</u>	
1	Polyethylene Bag	See Contrast table(2)	19	Microphone Assy	CPM1064	
2	Unit Box	See Contrast table(2)	20	Clip Holder	CZN5471	
3	Contain Box	See Contrast table(2)				
4	Protector	CHP3552	21	Microphone Holder	CZN5472	
5	Protector	CHP3553	22	Cushion	CZN5473	
			*	23	Microphone	CZX5059
6	Cord	CDP1157	24	GPS Antenna Assy	CXC8574	
7	Cord	CDE6825	25	Seal	CNN2515	
8	Cord Assy	CDP1091				
9	Cord Assy	CDP1095	26	Water Proof Pad	CZN7150	
10	Screw Assy	CEA3797	27	Sheet	CZN7151	
			28	Cord Assy	See Contrast table(2)	
11	Screw	BMZ50P060FTC	29-1	Installation Manual	See Contrast table(2)	
*	12	Polyethylene Bag	29-2	Caution Card	CRP1310	
	13	Screw				
	14	Polyethylene Bag	*	29-3	Warranty Card	See Contrast table(2)
	15	Sub Unit Box	*	29-4	Registration Card	See Contrast table(2)
				29-5	Owner's Manual	See Owner's manual parts list(3)
16	Connector	CKX1049	*	29-6	Caution Card	See Contrast table(2)
17	Pen	CNV8969	30	Attachment Assy	CEA4636	
18	CD-ROM	See Contrast table(2)				

(2) CONTRAST TABLE

AVIC-F90BT/XS/UC, AVIC-F900BT/XS/UC and AVIC-F900BT/XS/AU are constructed the same except for the following:

Mark	No.	Description	AVIC-F90BT/XS/UC	AVIC-F900BT/XS/UC	AVIC-F900BT/XS/AU
	1	Polyethylene Bag	CEG1402	CEG1402	CEG1401
	2	Unit Box	CHG6574	CHG6487	CHG6489
	3	Contain Box	CHL6574	CHL6487	CHL6489
	18	CD-ROM	Not Used	Not Used	CPJ1262
	28	Cord Assy	CDP1153	Not Used	Not Used
	29-1	Installation Manual	CRD4361	CRD4335	CRB2724
*	29-3	Warranty Card	CRY1070	CRY1246	Not Used
*	29-4	Registration Card	CRY1271	CRY1271	Not Used
*	29-6	Caution Card	CRP1376	CRP1376	CRN1094

Installation Manual

Part No.	Language
CRD4361	English, French
CRD4335	English, French
CRB2724	English

(3) OWNER'S MANUAL PARTS LIST

AVIC-F90BT/XS/UC		AVIC-F900BT/XS/UC		AVIC-F900BT/XS/AU	
Part No.	Language	Part No.	Language	Part No.	Language
CRB2686	English	CRB2684	English	CRB2722	English
CRB2687	French	CRB2685	French	CRB2723	English
CRB2810	English	CRB2686	English		
CRB2811	French	CRB2687	French		

9.2 EXTERIOR(1)

A

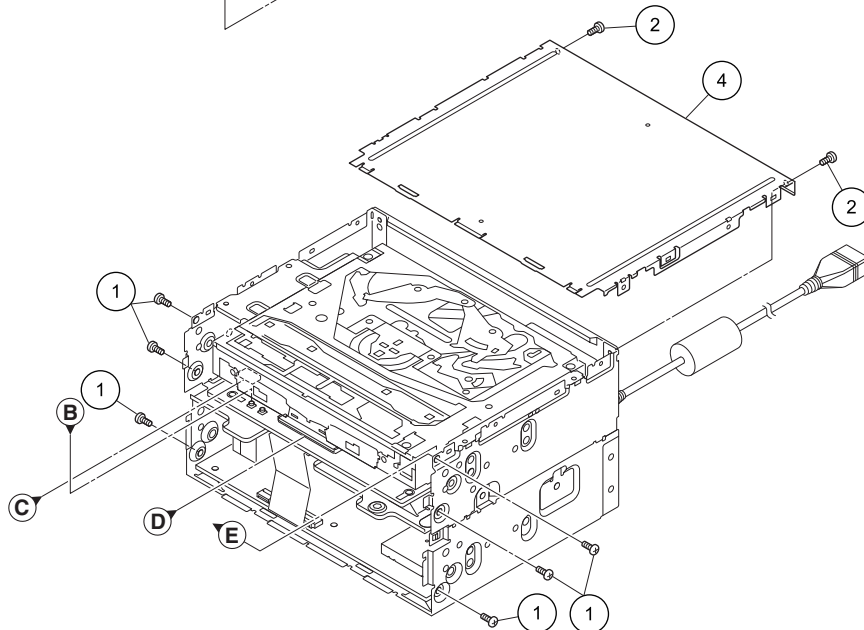
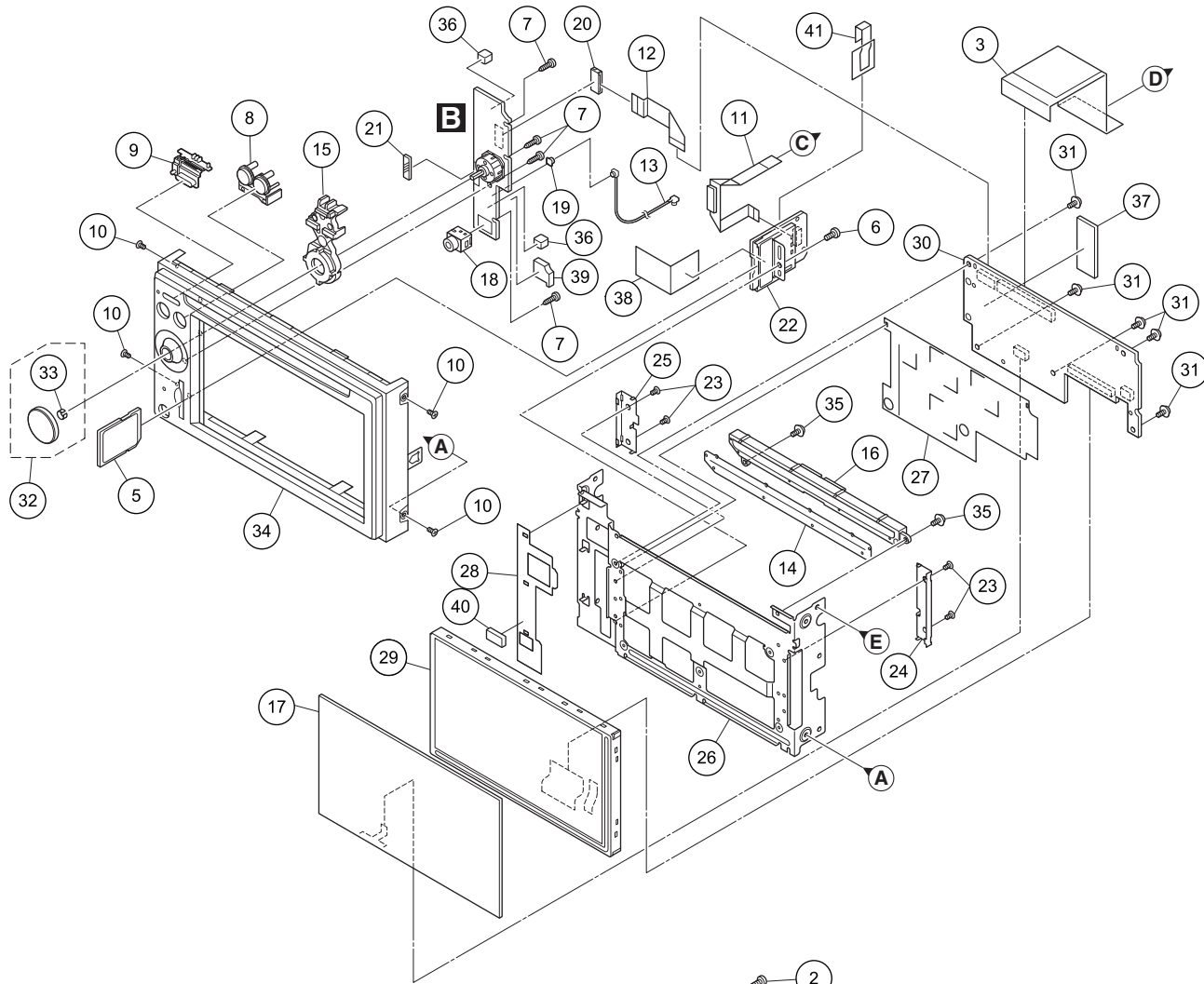
B

C

D

E

F



(1) EXTERIOR(1) SECTION PARTS LIST

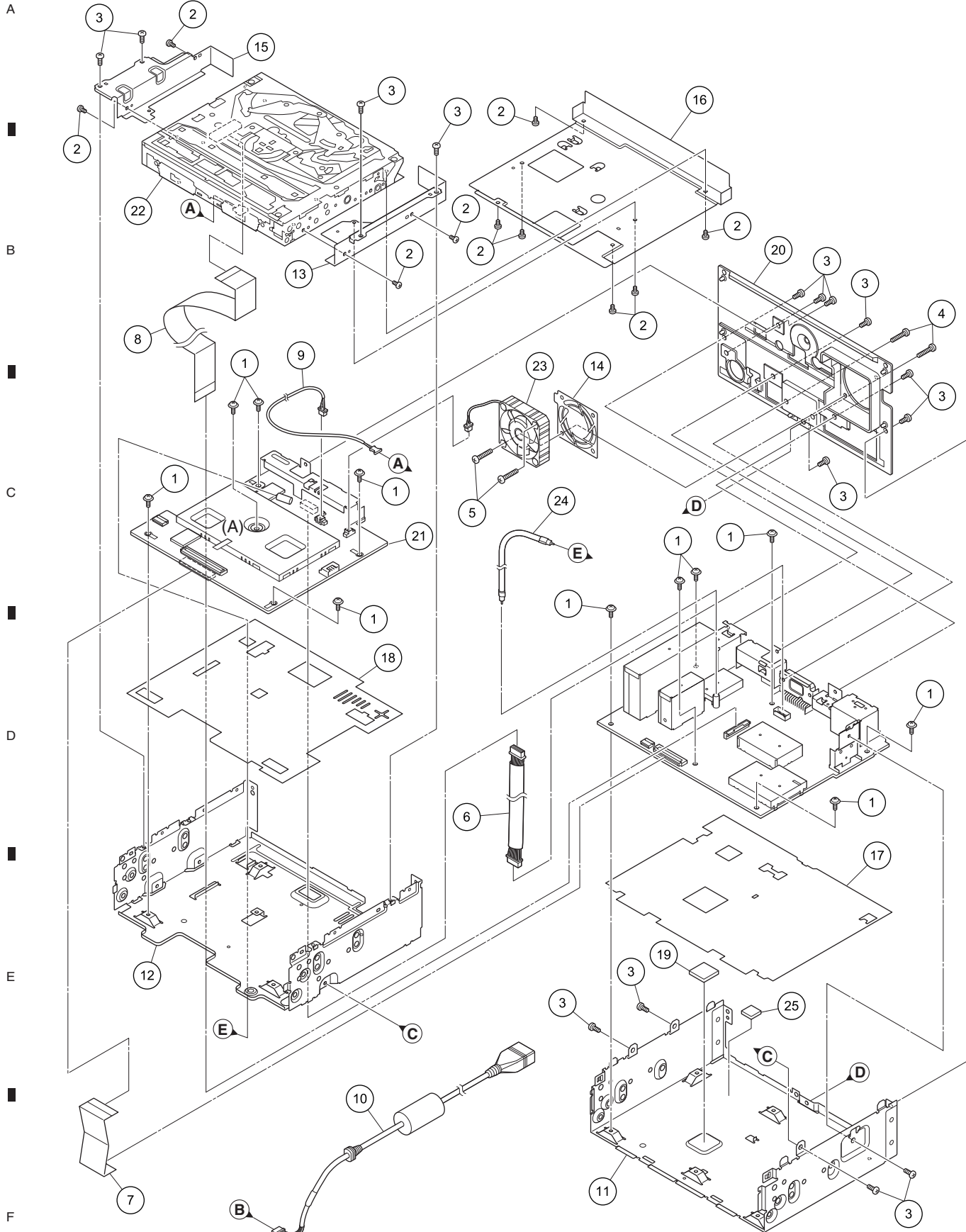
<u>Mark No.</u>	<u>Description</u>	<u>Part No.</u>	<u>Mark No.</u>	<u>Description</u>	<u>Part No.</u>
1	Screw	BMZ26P050FTC	22	SD Unit	CWX3652
2	Screw	CBA2145	23	Screw(M2 x 2)	CBA1771
3	FFC	CDE8556	24	Holder	CND3758
4	Case	CNB3472	25	Holder	CND3759
5	Card	CNW1231			
			26	Holder	CND4319
6	Screw	BMZ26P050FTC	27	Insulator	CNN2044
7	Screw	BPZ20P080FTC	28	Insulator	CNN2045
8	Button(MENU, MAP)	CAI1705	29	LCD Module	CWX3611
9	Button(RESET, EJECT)	CAI1706	30	Panel Unit	CWX3651
10	Screw(M2 x 3)	CBA1797			
			31	Screw	PMB20P040FTC
11	FFC	CDE8554	32	Knob Unit	CXC8994
12	FFC	CDE8555	1)* (NSP) 33	Spring	YBL5013
13	Cord Assy	CDE8559	34	Grille Unit	See Contrast table(2)
14	Cover	CNN2046	35	Screw	IMS26P040FTC
15	Lighting Conductor	CNV9902			
			36	Gasket	CNN2501
16	Holder	CNV9904	37	Gasket	CNN2533
17	Touch Panel	CSX1136	38	Insulator	CNN2534
18	Jack(CN802)	CKN1049	39	Cushion	CNN2723
19	Connector(CN803)	CKS5749	40	Gasket	CNN2724
20	Connector(CN801)	CKS5862			
			41	Insulator	CNN2725
21	Antenna(ANT801)	CTX1095			

(2) CONTRAST TABLE

AVIC-F90BT/XS/UC, AVIC-F900BT/XS/UC and AVIC-F900BT/XS/AU are constructed the same except for the following:

Mark	No.	Description	AVIC-F90BT/XS/UC	AVIC-F900BT/XS/UC	AVIC-F900BT/XS/AU
	34	Grille Unit	CXC9777	CXC8984	CXC8986

9.3 EXTERIOR(2)



(A) GYH1031(Mylar tape)

* Hold the flexible cable to the shield on the Navi Unit.

(1) EXTERIOR(2) SECTION PARTS LIST

<u>Mark No.</u>	<u>Description</u>	<u>Part No.</u>	<u>Mark No.</u>	<u>Description</u>	<u>Part No.</u>
1	Screw	ASZ26P050FTC	14	Cover	CND3917
2	Screw(M2 x 3)	CBA2096	15	Bracket	CND4316
3	Screw	BMZ26P050FTC			
4	Screw	BMZ26P160FTB	16	Shield	CND4317
5	Screw(M2.6 x 12)	CBA2102	17	Insulator	CNN2042
			18	Insulator	CNN2043
6	Cord Assy	CDE8393	19	Sheet	CNN2294
7	FFC	CDE8550	20	Heat Sink	CNR1944
8	FFC	CDE8551			
9	Cord Assy	CDE8557	21	Navi Unit(U1)	See Contrast table(2)
10	Cord Assy	CDE8561	22	DVD Mechanism Module(MS5AVCOD)	CXK6631
			23	Fan Motor	CXM1320
11	Chassis	CNA3041	24	Cord Assy	CDH1381
12	Chassis	CNA3043	25	Gasket	CNN2529
13	Bracket	CND3698			

(2) CONTRAST TABLE

AVIC-F90BT/XS/UC, AVIC-F900BT/XS/UC and AVIC-F900BT/XS/AU are constructed the same except for the following:

<u>Mark</u>	<u>No.</u>	<u>Description</u>	<u>AVIC-F90BT/XS/UC</u>	<u>AVIC-F900BT/XS/UC</u>	<u>AVIC-F900BT/XS/AU</u>
	21	Navi Unit(U1)	CWX3642	CWX3642	CWX3648

9.4 EXTERIOR(3)

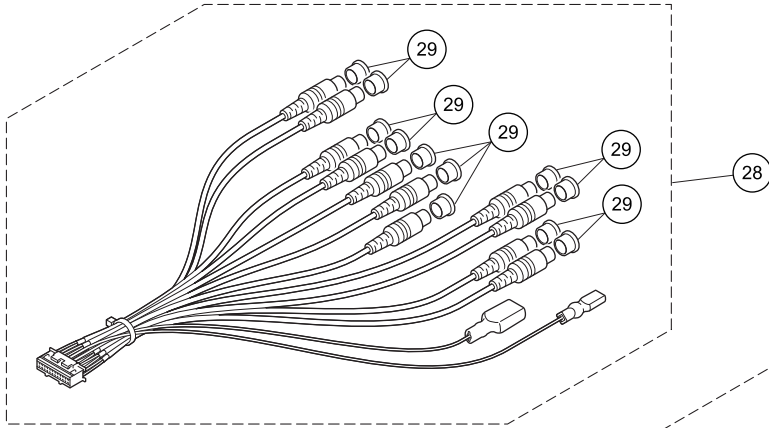
1

2

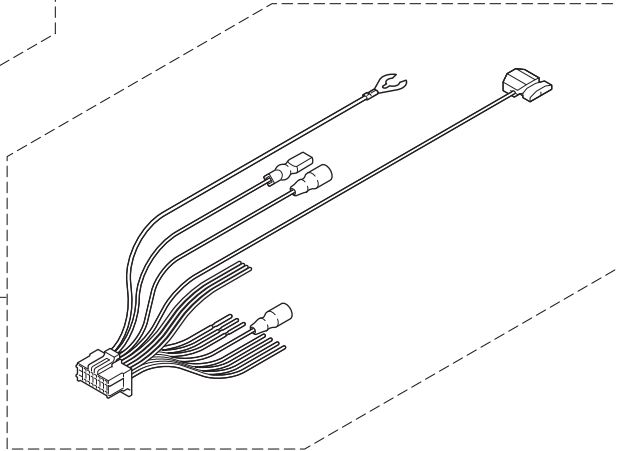
3

4

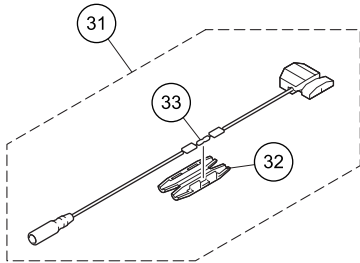
A



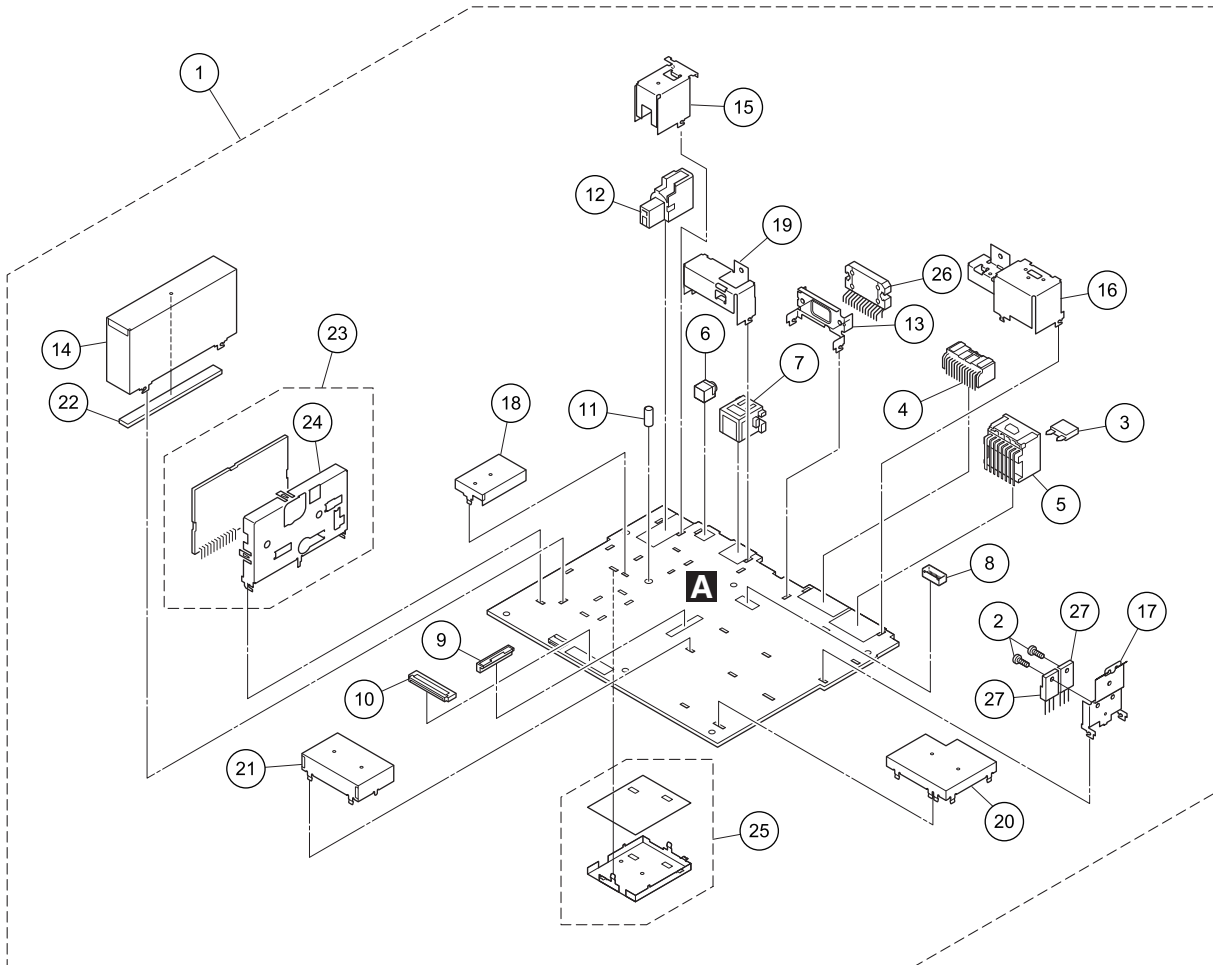
B



C



D



E

F

1

2

3

4

(1) EXTERIOR(3) SECTION PARTS LIST

<u>Mark No.</u>	<u>Description</u>	<u>Part No.</u>	<u>Mark No.</u>	<u>Description</u>	<u>Part No.</u>
1	AV Unit	See Contrast table(2)	18	Shield	CND3769
2	Screw	BMZ26P060FTC	19	Holder	See Contrast table(2)
⚠ 3	Fuse(10 A)	CEK1208	20	Shield	CND4320
4	Connector(CN1016)	CKM1460			
5	Plug(CN1005)	CKM1550	21	Shield	CND4563
			22	Sheet	CNM9805
6	Jack(CN1015)	CKN1042	23	FM/AM Tuner Unit(Y1461)	CWE2128
7	Connector(CN1021)	See Contrast table(2)	24	Holder	CND4324
8	Connector(CN1001)	CKS4674	25	Shield Unit	CXC8983
9	Connector(CN702)	CKS5075			
10	Connector(CN1000)	CKS5732	26	IC(IC1007)	PAL007C
			27	IC(IC2801, IC2820)	BA00CC0WCP-V5
11	Mini Pin Jack(CN1441)	CKX1046	28	Cord Assy	CDP1091
12	Antenna Jack(ANT1401)	CKX1060	29	Cap	CNV6727
13	Holder	CNC9921	30	Cord Assy	CDP1095
14	Shield	CND3004			
15	Holder	CND3181	31	Cord	CDE6825
			32	Cap	CNS1472
16	Holder	CND3693	33	Resistor	RS1/2PMF102J
17	Holder	CND3695			

(2) CONTRAST TABLE

AVIC-F90BT/XS/UC, AVIC-F900BT/XS/UC and AVIC-F900BT/XS/AU are constructed the same except for the following:

Mark	No.	Description	AVIC-F90BT/XS/UC	AVIC-F900BT/XS/UC	AVIC-F900BT/XS/AU
	1	AV Unit	CWN3648	CWN3171	CWN3177
	7	Connector(CN1021)	CKS3408	CKS3408	Not Used
	19	Holder	CND4314	CND4314	CND4315

9.5 DVD MECHANISM MODULE

A

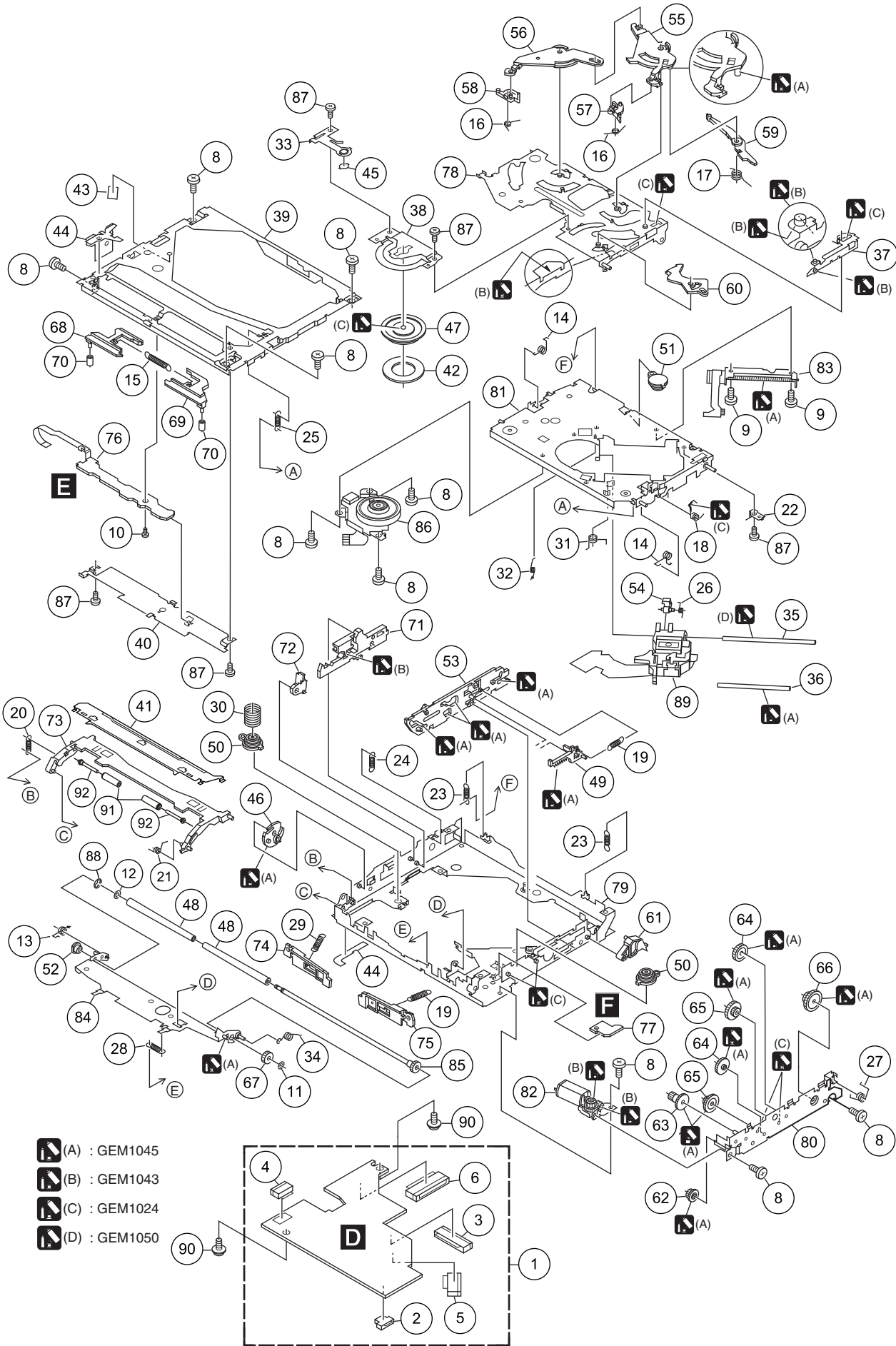
B

C

D

E

F



AVIC-F90BT/XS/UC

5 6 7 8
DVD MECHANISM MODULE SECTION PARTS LIST

<u>Mark No.</u>	<u>Description</u>	<u>Part No.</u>	<u>Mark No.</u>	<u>Description</u>	<u>Part No.</u>
1	DVD Core Unit	YWX5005	50	Damper	CNV9061
2	Connector(CN1852)	CKS4817			
3	Connector(CN1101)	CKS4841	51	Damper	CNV9062
4	Connector(CN1301)	CKS5017	52	Collar	CNV8845
5	Connector(CN1201)	CKS5043	53	Lever	CNV8865
			54	Rack	CNV9063
6	Connector(CN1901)	CKS5054	55	Arm	CNV8867
7				
8	Screw	BMZ20P020FTC	56	Arm	CNV8868
9	Screw	BMZ20P025FNI	57	Arm	CNV9577
10	Screw	CBA1787	58	Arm	CNV8870
			59	Arm	CNV8871
11	Washer	CBF1038	60	Arm	CNV8872
12	Washer	CBF1064			
13	Spring	CBH2586	61	Arm	CNV8873
14	Spring	CBH2588	62	Gear	CNV8874
15	Spring	CBH2589	63	Gear	CNV8875
			64	Gear	CNV8876
16	Spring	CBH2590	65	Gear	CNV8877
17	Spring	CBH2591			
18	Spring	CBH2592	66	Gear	CNV8878
19	Spring	CBH2593	67	Gear	CNV8879
20	Spring	CBH2596	68	Lever	CNV8903
			69	Lever	CNV8904
21	Spring	CBH2597	70	Roller	CNV8905
22	Spring	CBL1726			
23	Spring	CBH2599	71	Lever	CNV8908
24	Spring	CBH2600	72	Arm	CNV8909
25	Spring	CBH2601	73	Guide	CNV9569
			74	Arm	CNV9116
26	Spring	CBH2926	75	Arm	CNV9117
27	Spring	CBH2604			
28	Spring	CBH2605	76	Compound Unit(A)	CWX3154
29	Spring	CBH2710	77	Compound Unit(B)	CWX3394
30	Spring	CBH2711	* 78	Arm Unit	CXC7872
			79	Frame Unit	CXC6442
31	Spring	CBH2935	80	Bracket Unit	CXB8685
32	Spring	CBH2890			
33	Spring	CBL1689	81	Chassis Unit	CXC6443
34	Spring	CBH2898	82	Motor Unit(LOAD)(M1)	CXC4912
35	Shaft	CLA4206	83	Motor(STEPPING)(M2)	CXM1364
			84	Arm Unit	CXC5486
36	Shaft	CLA4701	85	Roller Unit	CXC5708
37	Lever	CNC9933			
38	Holder	CND2643	86	Motor(SPDL)(M3)	CXM1362
39	Frame	CND2250	87	Screw	JFZ20P018FTC
40	Holder	CND2251	88	Washer	YE20FTC
			89	Pickup Unit(Service)	CXX2118
41	Holder	CND3936	90	Screw	IMS20P030FTC
42	Sheet	CNM6883			
43	Sheet	CNM8697	91	Collar	CNV9570
44	Sheet	CNM9658	92	Shaft	CLA4771
45	Sheet	CNM9407			
46	Cam	CNV7156			
47	Clamper	CNV7158			
48	Roller	CNV7165			
49	Rack	CNV7175			

12. ELECTRICAL PARTS LIST

NOTE:

- Parts whose parts numbers are omitted are subject to being not supplied.
- The part numbers shown below indicate chip components.

Chip Resistor

RS1/OSOOOJ,RS1/OOSOOOJ

Chip Capacitor (except for CQS.....)

CKS....., CCS....., CSZS.....

- The \triangle mark found on some component parts indicates the importance of the safety factor of the part. Therefore, when replacing, be sure to use parts of identical designation.
- Meaning of the figures and others in the parentheses in the parts list.

Example) IC 301 is on the point (face A, 91 of x-axis, and 111 of y-axis) of the corresponding PC board.

IC 301 (A, 91, 111) IC NJM2068V

- The expression of the unit in this manual is shown by *u* instead of μ . Please do not make a mistake.

<u>Circuit Symbol and No.</u>	<u>Part No.</u>	<u>Circuit Symbol and No.</u>	<u>Part No.</u>
Unit Number : CWN3648(A:AVIC-F90BT/XS/UC)	IC 1007 (A,88,128) IC	PAL007C	
Unit Number : CWN3171(B:AVIC-F900BT/XS/UC)	IC 1008 (A,56,38) IC	NJM2125F	
Unit Number : CWN3177(C:AVIC-F900BT/XS/AU)	IC 1015 (A,64,47) IC	NJM4558V	
Unit Name : AV Unit	IC 1016 (B,69,33) IC	BA4558RFVM	
Unit Number :	IC 2801 (A,168,99) IC	BA00CC0WCP-V5	
Unit Name : Keyboard Unit	IC 2820 (A,168,88) IC	BA00CC0WCP-V5	
Unit Number :	IC 2830 (B,33,36) IC	BA00BC0WFP	
Unit Name : Keyboard Unit	IC 2890 (B,156,104) IC	TPD1018F	
Unit Number : YWX5005	IC 3601 (A,11,20) IC	M62343FP	
Unit Name : DVD Core Unit	IC 4171 (B,67,49) IC	AN15887A	
Unit Number : CWX3595	IC 4251 (B,103,107) IC	NJM2505AF	
Unit Name : Compound Unit(A)	IC 4271 (B,68,73) IC	PML018A	
Unit Number : CWX3559	IC 4601 (B,118,65) IC	TPS5103IDB	
Unit Name : Compound Unit(B)	IC 4641 (B,150,24) IC	TPS5103IDB	
	IC 4661 (B,150,40) IC	TPS5103IDB	
	IC 4681 (B,163,65) IC(A)	NJM2360M	
	IC 4701 (B,88,55) IC	BD3931HFP	
	IC 4703 (A,86,45) IC	S-L2980A33MC-C6S	
	IC 4721 (B,44,129) IC(A,B)	HA12241FP	
	Q 601 (B,116,19) Chip Transistor	2SA1576A	
	Q 661 (B,116,46) Chip Transistor	DTC114EUA	
	Q 662 (B,113,22) Chip Transistor	DTC114EUA	
	Q 1016 (A,56,31) Transistor	IMD2A	
	Q 1401 (B,38,104) Transistor	2SC3357	
	Q 1421 (B,38,95) Transistor	2SC3127	
	Q 1441 (A,35,86) Transistor	2SC3130	
	Q 2810 (B,102,98) Transistor	2SD1760F5	
	Q 2811 (A,103,96) Chip Transistor	DTA114EUA	
	Q 2812 (A,110,98) Chip Transistor	DTC114EUA	
	Q 2840 (B,143,8) Transistor	DTC114WK	
	Q 2841 (A,157,6) Chip Transistor	DTC114EUA	
	Q 2860 (B,120,106) Transistor	UMD2N	
	Q 2861 (B,120,109) Transistor	UMD2N	
	Q 2862 (B,112,104) Transistor	2SC4081	
	Q 2863 (B,118,113) Transistor	UMD2N	
	Q 2864 (B,115,111) Chip Transistor	DTC114EUA	
	Q 2865 (B,112,111) Chip Transistor	DTC124EUA	
	Q 2870 (A,150,112) Transistor	2SC4116	
	Q 2880 (A,164,111) Chip Transistor	DTC114EUA	
	Q 2881 (B,124,24) Chip Transistor	DTC114EUA	

A

Unit Number : CWN3648(A:AVIC-F90BT/XS/UC)

Unit Number : CWN3171(B:AVIC-F900BT/XS/UC)

Unit Number : CWN3177(C:AVIC-F900BT/XS/AU)

Unit Name : AV Unit

MISCELLANEOUS

IC 601 (B,46,6) IC	TC7SH08FUS1
IC 603 (B,121,44) IC	TC7SH04FUS1
IC 604 (B,121,41) IC	TC7S32FU
IC 605 (A,42,8) IC	TC74VHCT08AFTS1
IC 607 (B,105,30) IC	TC74VHC08FTS1
IC 608 (B,97,44) IC	BD5335FVE
IC 609 (B,27,8) IC	TC74VHC08FTS1
IC 610 (A,107,34) IC(A,B)	PEG447A
(A,107,34) IC(C)	PEG449A
IC 612 (B,109,42) Logic IC	TC74VHCT32AFT
IC 1002 (A,147,7) IC	NJM2904M

	1	2	3	4
	<u>Circuit Symbol and No.</u>	<u>Part No.</u>	<u>Circuit Symbol and No.</u>	<u>Part No.</u>
	Q 2882 (B,122,19) Chip Transistor	2SA1576A	D 2873 (B,167,130) Diode	1SS355
	Q 2900 (A,165,123) Transistor	2SC4116	D 2874 (B,158,111) Diode	PTZ18A
	Q 3041 (A,76,50) Transistor	IMD3A	D 2880 (B,152,131) Diode	1SR154-400
A	Q 3042 (A,71,54) Transistor	FMG12	D 2890 (A,155,110) Diode	1SR154-400
	Q 3601 (B,30,21) Transistor	UMX1N	D 2891 (A,158,110) Diode	1SR154-400
	Q 3602 (B,22,18) Transistor	UMX1N	D 2900 (A,170,125) Diode	HZU8R2(B1)
	Q 3603 (B,14,18) Transistor	UMX1N	D 2910 (B,146,72) Diode	KS926S2
	Q 3604 (B,28,15) Transistor	UMX1N	D 2911 (A,59,93) Diode	RB060L-40
	Q 3605 (B,19,17) Transistor	UMX1N	D 2912 (B,145,102) Diode	KS926S2
	Q 3606 (B,10,16) Transistor	UMX1N	D 2930 (A,140,107) Diode	ST70-27F
	Q 4231 (B,59,23) Transistor	2SC4081	D 3041 (A,71,50) Diode	DAP202K
	Q 4232 (B,55,18) Chip Transistor	2SA1576A	D 4061 (A,60,48) Diode	EDZ4R3(B)
	Q 4301 (B,85,76) Transistor(A)	2SD1767	D 4062 (A,58,48) Diode	1SS355
	Q 4312 (B,77,39) Transistor	IMD3A	D 4301 (B,83,81) Diode(A)	HZU12(B2)
B	Q 4314 (B,77,34) Transistor	DTC323TK	D 4311 (B,82,30) Diode	DAN202K
	Q 4331 (B,102,91) Transistor	FMG12	D 4312 (B,86,32) Diode	DAN202K
	Q 4332 (B,93,85) Transistor	FMG12	D 4331 (B,91,96) Diode	DAP202K
	Q 4333 (B,93,92) Transistor	FMG12	D 4351 (B,109,113) Diode	EDZ20(B)
	Q 4601 (B,106,64) Chip Transistor	DTC114EUA	D 4352 (B,107,112) Diode	EDZ6R8(B)
	Q 4602 (A,117,65) FET	SP8K2	D 4353 (B,123,133) Diode	MALS068X
	Q 4631 (A,119,86) Transistor	2SD1767	D 4354 (B,124,133) Diode	MALS068X
	Q 4632 (A,126,86) Transistor	UMD2N	D 4355 (A,121,109) Diode	DAN202U
	Q 4641 (B,140,22) Chip Transistor	DTC114EUA	D 4356 (A,111,119) Diode	MALS068X
	Q 4642 (A,150,24) FET	SP8K2	D 4357 (A,107,119) Diode	MALS068X
C	Q 4661 (B,112,72) Chip Transistor	DTC114EUA	D 4358 (A,117,119) Diode	MALS068X
	Q 4662 (B,139,38) Chip Transistor	DTC114EUA	D 4359 (A,121,119) Diode	MALS068X
	Q 4663 (A,151,40) FET	SP8K2	D 4360 (B,129,112) Diode	1SR154-400
	Q 4681 (B,168,72) Transistor(A)	2SD1767	D 4361 (A,131,107) Diode	1SS355
	Q 4682 (B,161,76) Transistor(A)	UMD2N	D 4362 (B,129,106) Diode	1SR154-400
	Q 4731 (B,143,87) Transistor	2SC4081	D 4363 (B,113,119) Diode	MALS068X
	Q 4732 (B,129,98) Chip Transistor(A,B)	DTC114EUA	D 4364 (A,128,106) Diode	PTZ27(B)
	Q 4733 (B,150,89) Transistor	2SC4081	D 4365 (A,125,106) Diode	PTZ27(B)
	Q 4734 (B,122,99) Chip Transistor(A,B)	2SA1576A	D 4366 (B,122,133) Diode	MALS068X
	Q 4738 (B,141,91) Transistor	2SC4081	D 4371 (A,41,117) Diode	UDZS5R6(B)
	Q 4751 (A,31,12) Chip Transistor	2SA1576A	D 4372 (B,44,123) Diode	UDZS5R6(B)
D	Q 4752 (A,32,8) Chip Transistor	2SA1576A	D 4601 (B,126,60) Diode	RB400D
	Q 4753 (B,35,10) Chip Transistor	DTC114EUA	D 4602 (A,115,71) Diode	RB060L-40
	Q 4754 (B,32,6) Chip Transistor	2SA1576A	D 4631 (A,122,89) Diode	UDZS9R1(B)
	Q 4771 (B,110,93) Chip Transistor	DTA114EUA	D 4641 (B,159,21) Diode	RB400D
	Q 4772 (B,112,92) Chip Transistor	DTC114EUA	D 4642 (A,147,30) Diode	RB060L-40
	Q 4773 (B,115,92) Transistor	2SA1587	D 4643 (A,163,17) Diode	RB083L-20
	Q 4774 (B,114,85) Transistor	IMX1	D 4661 (B,159,36) Diode	RB400D
	Q 4775 (B,127,85) Chip Transistor	DTC114EUA	D 4662 (A,147,46) Diode	RB060L-40
	Q 4776 (B,122,93) Transistor	2SD1760F5	D 4681 (B,168,61) Diode(A)	RB411D
	D 2802 (A,159,105) Diode	RB060L-40	D 4682 (B,162,73) Diode(A)	HZU10(B2)
E	D 2810 (A,106,95) Diode	UDZS5R6(B)	D 4721 (B,48,122) Diode(A,B)	MALS068X
	D 2821 (A,159,92) Diode	RB060L-40	D 4722 (B,50,118) Diode(A,B)	MALS068X
	D 2822 (A,110,94) Diode	DAN202U	D 4723 (B,54,115) Diode(A,B)	MALS068X
	D 2823 (A,120,80) Diode	1SR154-400	D 4724 (B,49,127) Diode(A,B)	MALS068X
	D 2824 (A,127,80) Diode	1SR154-400	D 4725 (B,56,115) Diode(A,B)	UDZS18(B)
	D 2825 (A,131,47) Diode	1SS400G	D 4726 (B,63,115) Diode(A,B)	UDZS18(B)
	D 2831 (B,38,26) Diode	RR264M-400	D 4727 (B,58,115) Diode(A,B)	UDZS18(B)
	D 2840 (B,152,6) Diode	1SS355	D 4731 (B,146,89) Diode	HZU7R5(B3)
	D 2860 (B,124,105) Diode	MA111	D 4732 (B,146,93) Diode	RB500V-40
	D 2861 (B,119,104) Diode	UDZS8R2(B)	D 4733 (B,150,93) Diode	RB500V-40
	D 2862 (B,116,108) Diode	DAN202U	D 4734 (B,145,96) Diode	EDZ20(B)
F	D 2863 (B,113,107) Diode	DAN202U	D 4735 (B,148,93) Diode	RB500V-40
	D 2870 (A,153,106) Diode	UDZS5R1(B)	D 4736 (B,141,96) Diode	RB500V-40
	D 2871 (B,169,130) Diode	UDZS18(B)	D 4737 (B,141,95) Diode	HZU7R5(B3)
	D 2872 (B,169,126) Diode	UDZS18(B)	D 4751 (A,29,13) Diode	1SS355

5		6		7		8	
<u>Circuit Symbol and No.</u>		<u>Part No.</u>		<u>Circuit Symbol and No.</u>		<u>Part No.</u>	
D 4752	(A,27,13) Diode	1SS355		L 4641	(A,140,21) Inductor	CTH1255	
D 4771	(B,120,86) Diode	RB500V-40		L 4642	(A,160,24) Inductor	CTH1257	
D 4772	(B,122,86) Diode	RB500V-40		L 4661	(A,140,34) Inductor	CTH1255	
D 4773	(B,124,83) Diode	HZU8R2(B1)		L 4662	(A,161,39) Inductor	CTH1257	A
D 4774	(B,125,87) Diode	HZU11(B2)		L 4681	(A,169,57) Chip Coil(A)	LCTAW4R7J2520	
L 601	(B,123,41) Inductor	CTF1410		L 4682	(A,165,66) Inductor(A)	CTF1660	
L 602	(B,41,5) Inductor	CTF1410		L 4701	(B,86,44) Inductor	CTF1393	
L 604	(B,120,48) Inductor	CTF1410		L 4721	(A,43,129) Inductor(A,B)	LCYC2R2K1608	
L 605	(A,42,13) Inductor	CTF1410		L 4722	(B,49,123) Inductor(A,B)	CTF1334	
L 607	(B,103,35) Inductor	CTF1410		L 4723	(B,49,120) Inductor(A,B)	CTF1334	
L 608	(B,100,32) Inductor	CTF1410		L 4724	(B,52,114) Inductor(A,B)	CTF1334	
L 609	(B,100,47) Inductor	CTF1410		L 4725	(B,48,125) Inductor(A,B)	CTF1334	
L 610	(B,32,12) Inductor	CTF1410		T 1401	(A,40,104) Coil	CTC1194	
L 611	(A,98,20) Inductor	CTF1410		T 1402	(A,42,95) Coil	CTC1193	
L 612	(A,102,46) Inductor	CTF1410		T 1403	(A,32,96) Coil	CTC1192	B
L 613	(A,109,20) Inductor	CTF1410		TH601	(A,69,28) Thermister	CCX1051	
L 614	(B,121,24) Inductor	CTF1410		X 601	(A,91,33) Resonator 20.000 MHz	VSS1186	
L 615	(A,120,34) Inductor	CTF1410		VR4231	(A,55,25) Semi-fixed 1 kohm(OB)	CCP1483	
L 617	(B,115,44) Inductor	CTF1410		△FU2900	(B,71,7) Fuse 250 mA	CEK1276	
L 704	(A,79,71) Inductor	CTF1357		△FU4351	(B,116,117) Fuse 40 A	MINISMD0C75F/24	
L 705	(A,89,69) Inductor	CTF1463		△FU4352	(B,128,133) Fuse 3.15 A	CEK1259	
L 706	(A,95,63) Inductor	CTF1306		△FU4601	(B,103,60) Fuse 5 A	CEK1261	
L 707	(A,80,66) Inductor	CTF1306		△FU4602	(B,143,58) Fuse 5 A	CEK1261	
L 708	(A,92,65) Inductor	CTF1306		△FU4631	(A,114,85) Fuse 200 mA	CEK1247	
L 709	(A,78,65) Inductor	CTF1306		△FU4641	(A,141,8) Fuse 3.15 A	CEK1259	C
L 710	(A,90,63) Inductor	CTF1306		△FU4642	(B,157,71) Fuse 2.5 A	CEK1258	
L 711	(A,78,63) Inductor	CTF1306		△FU4661	(A,136,8) Fuse 2.5 A	CEK1258	
L 712	(A,76,62) Inductor	CTF1306		△FU4662	(B,147,55) Fuse 2.5 A	CEK1258	
L 713	(A,79,60) Inductor	CTF1306		△FU4771	(A,115,106) Fuse 1 A	CEK1254	
L 714	(A,93,60) Inductor	CTF1306		FB701	(A,92,77) Inductor	CTF1453	
L 1004	(A,148,12) Inductor	CTF1334		EF4351	(B,121,119) EMI Filter	CCG1067	
L 1401	(B,22,112) Inductor	LCTAWR12J2520		EF4352	(B,126,119) EMI Filter	CCG1067	
L 1402	(B,28,110) Inductor	LCYCR10K2125		EF4353	(A,128,119) EMI Filter	CCG1067	
L 1403	(A,45,89) Inductor	LCTAW101J2520		EF4354	(A,109,119) EMI Filter	CCG1067	
L 1421	(B,41,96) Inductor	LCTCR22K2125		EF4355	(A,113,119) EMI Filter	CCG1067	
L 1422	(B,29,104) Inductor	LCTCR10K2125		EF4356	(A,115,119) EMI Filter	CCG1067	D
L 1423	(B,44,88) Inductor	LCTAW101J2520		EF4357	(A,119,119) EMI Filter	CCG1067	
L 1441	(A,38,85) Inductor	LCTCR15K2125		EF4358	(A,123,119) EMI Filter	CCG1067	
L 1443	(A,44,83) Chip Coil	LCTAW1R0J2520		EF4359	(B,123,119) EMI Filter	CCG1067	
L 1461	(B,17,109) Chip Coil	LCTAW4R7J2520		EF4360	(B,128,119) EMI Filter	CCG1067	
L 1462	(A,38,70) Inductor	LCTAW2R2J3225		EF4361	(A,130,119) EMI Filter	CCG1067	
L 1463	(B,24,56) Inductor	LCTAW2R2J2520		EF4731	(B,156,77) EMI Filter	CCG1172	
L 1464	(B,26,54) Chip Ferrite Bead	CTF1399		EF4732	(B,153,57) EMI Filter	CCG1172	
L 1465	(A,33,40) Inductor	LCTAW2R2J3225		ANT1401	(A,18,118) Antenna Jack	CKX1060	
L 2870	(B,166,126) Inductor	CTF1410		Y 1461	(A,17,93) FM/AM Tuner Unit	CWE2128	
L 2871	(B,159,114) Inductor	CTF1410		ZNR1401	(B,16,112) Surge Protector	CSA30-201N	
L 2872	(B,148,114) Inductor	CTF1410		U 695	(B,91,26) IR Remote(C)	RPMS2401-H19	E
L 2930	(A,135,94) Choke Coil 600 uH	CTH1347		△	Fuse 10 A	CEK1208	
L 2940	(A,90,11) Inductor	CTF1334					
L 3601	(A,16,13) Chip Coil	LCTAW100J2520					
L 4171	(B,71,62) Chip Coil	LCTAW100J2520		R 601	(A,38,6)	RS1/16S104J	
L 4172	(B,59,60) Chip Coil	LCTAW100J2520		R 602	(B,39,6)	RS1/16S104J	
L 4231	(B,63,25) Inductor	CTF1473		R 603	(A,95,23) (A,B)	RS1/16SS220J	
L 4271	(A,65,85) Inductor	LCYA2R2J2520		R 604	(A,96,22) (A,B)	RS1/16S220J	
L 4351	(A,124,110) Inductor	LCTC2R2K1608		R 605	(B,120,38)	RS1/16SS104J	
L 4352	(A,129,112) Inductor	CTF1556		R 609	(B,100,36)	RS1/16SS104J	
L 4371	(A,38,117) Inductor	CTF1334		R 610	(B,95,37)	RS1/16SS102J	F
L 4372	(B,40,123) Inductor	CTF1334		R 612	(B,97,31)	RS1/16SS104J	
L 4601	(A,106,63) Choke Coil 27 uH	CTH1402		R 613	(A,94,41)	RS1/16SS471J	
L 4602	(A,129,63) Choke Coil 10 uH	CTH1403		R 614	(A,93,41)	RS1/16SS471J	

RESISTORS

	1		2		3		4	
	<u>Circuit Symbol and No.</u>		<u>Part No.</u>		<u>Circuit Symbol and No.</u>		<u>Part No.</u>	
	R 615	(A,94,40)	RS1/16SS222J		R 722	(A,81,69)	RS1/16S104J	
	R 616	(A,93,40)	RS1/16SS0R0J		R 731	(B,94,34)	RS1/16SS0R0J	
A	R 617	(A,94,39)	RS1/16SS0R0J		R 751	(A,76,54)	RS1/16S0R0J	
	R 618	(B,24,10)	RS1/16SS104J		R 1016	(B,69,15)	RS1/16SS0R0J	
	R 619	(B,110,37)	RS1/16SS104J		R 1409	(B,20,111)	RS1/16S105J	
	R 620	(A,95,34)	RS1/16SS101J		R 1410	(A,35,102)	RS1/16S821J	
	R 626	(B,100,30)	RS1/16SS221J		R 1411	(A,34,107)	RS1/16S330J	
	R 627	(A,95,25)	RS1/16SS104J		R 1412	(A,43,88)	RS1/16S332J	
	R 632	(B,100,45)	RS1/16SS0R0J		R 1413	(A,32,91)	RS1/16S101J	
	R 633	(B,103,42)	RS1/16SS102J		R 1421	(B,37,92)	RS1/16S151J	
	R 634	(A,101,21)	RS1/16SS104J		R 1422	(B,36,93)	RS1/16S680J	
	R 636	(B,100,39)	RS1/16SS104J		R 1423	(B,40,92)	RS1/16S152J	
	R 639	(B,105,39)	RS1/16SS102J		R 1424	(B,42,93)	RS1/16S681J	
B	R 640	(B,102,39)	RS1/16SS103J		R 1425	(B,43,96)	RS1/16S181J	
	R 641	(B,100,41)	RS1/16SS103J		R 1441	(A,31,84)	RS1/16S151J	
	R 642	(B,105,24)	RS1/16SS220J		R 1442	(A,32,87)	RS1/16S680J	
	R 643	(A,100,17)	RS1/16SS104J		R 1443	(A,39,87)	RS1/16S152J	
	R 646	(A,101,17)	RS1/16SS104J		R 1444	(A,40,85)	RS1/16S681J	
	R 648	(B,107,24)	RS1/16S104J		R 1445	(A,38,83)	RS1/16S151J	
	R 649	(B,104,45)	RS1/16SS220J		R 1461	(B,24,70)	RS1/16SS681J	
	R 650	(A,102,17)	RS1/16SS104J		R 1462	(B,24,69)	RS1/16SS681J	
	R 652	(B,106,44)	RS1/16SS220J		R 1463	(B,24,68)	RS1/16SS681J	
	R 653	(A,109,46)	RS1/16SS102J		R 1464	(B,24,67)	RS1/16SS681J	
	R 654	(A,104,17) (B,C)	RS1/16SS104J		R 1465	(B,24,66)	RS1/16SS681J	
C	R 655	(A,104,15) (A)	RS1/16SS104J		R 1466	(B,26,65)	RS1/16SS223J	
	R 657	(A,106,17)	RS1/16SS104J		R 1468	(B,24,58)	RS1/16SS681J	
	R 659	(A,111,21)	RS1/16S220J		R 1470	(B,25,46)	RS1/16SS0R0J	
	R 660	(A,115,19)	RS1/16S104J		R 1471	(B,25,44)	RS1/16SS0R0J	
	R 661	(A,108,16)	RS1/16S104J		R 1474	(B,29,46)	RS1/16SS0R0J	
	R 662	(A,112,17)	RS1/16S104J		R 1475	(B,32,44)	RS1/16SS0R0J	
	R 663	(A,116,20)	RS1/16SS102J		R 2801	(B,160,95)	RN1/16SE1002D	
	R 664	(A,116,18)	RS1/16SS473J		R 2802	(B,158,94)	RN1/16SE2701D	
	R 665	(B,117,49)	RS1/16SS104J		R 2803	(B,157,96)	RN1/16SE2201D	
	R 666	(B,115,23)	RS1/16SS104J		R 2804	(B,158,99)	RS1/16S104J	
	R 668	(B,118,21)	RS1/16SS472J		R 2810	(B,110,98)	RS1/8SOR0J	
D	R 670	(A,124,32)	RS1/16SS104J		R 2811	(A,99,97)	RS1/16S471J	
	R 671	(A,120,31)	RS1/16SS102J		R 2820	(B,159,84)	RS1/16S2201D	
	R 676	(A,120,28)	RS1/16SS0R0J		R 2821	(B,159,86)	RS1/16S1002D	
	R 677	(A,120,27)	RS1/16SS0R0J		R 2822	(B,159,88)	RS1/16S2201D	
	R 680	(B,119,22)	RS1/16SS472J		R 2823	(A,139,48)	RS1/16SS105J	
	R 681	(B,118,48)	RS1/16SS473J		R 2830	(B,32,27)	RS1/16S3601D	
	R 682	(A,124,35)	RS1/16SS0R0J		R 2831	(B,30,24)	RS1/16S10R0D	
	R 683	(A,122,42)	RAB4C104J		R 2832	(A,27,35)	RS1/16S2201D	
	R 684	(A,122,38)	RAB4C681J		R 2833	(A,32,27)	RS1/16S0R0J	
	R 685	(A,69,26)	RS1/16S102J		R 2834	(B,37,30)	RS1/16S104J	
E	R 686	(B,108,36)	RS1/16SS104J		R 2840	(A,145,11)	RS1/16SS104J	
	R 687	(B,117,42)	RS1/16SS104J		R 2841	(A,145,12)	RS1/16SS473J	
	R 688	(B,43,8)	RS1/16SS104J		R 2842	(B,145,5)	RS1/16SS563J	
	R 689	(B,39,9)	RS1/16SS104J		R 2843	(B,147,8)	RS1/16SS513J	
	R 690	(A,109,48)	RS1/16SS472J		R 2844	(B,148,7)	RS1/16SS104J	
	R 695	(B,97,23) (C)	RS1/16SS470J		R 2845	(B,149,5)	RS1/16SS513J	
	R 696	(B,95,29) (C)	RS1/16SS470J		R 2846	(A,152,6)	RS1/16SS513J	
	R 697	(B,98,24)	RS1/16SS104J		R 2847	(B,150,7)	RS1/16SS102J	
	R 698	(B,106,26)	RS1/16SS104J		R 2848	(B,148,5)	RS1/16SS102J	
	R 699	(B,109,48)	RS1/16SS104J		R 2849	(B,150,5)	RS1/16SS564J	
F	R 714	(A,95,76)	RS1/10S0R0J		R 2850	(B,152,9)	RS1/16SS202J	
	R 715	(B,95,74)	RS1/10S0R0J		R 2851	(B,151,9)	RS1/16SS822J	
	R 717	(A,81,57)	RS1/16SS0R0J		R 2852	(A,153,10)	RS1/16SS203J	
	R 718	(A,93,63)	RS1/16SS221J		R 2853	(A,152,12)	RS1/16SS333J	
					R 2860	(B,125,107)	RS1/16SS391J	

5		6		7		8	
<u>Circuit Symbol and No.</u>		<u>Part No.</u>		<u>Circuit Symbol and No.</u>		<u>Part No.</u>	
R 2861	(B,124,108)	RS1/16SS391J		R 2968	(B,76,7)	RS1/16SS0R0J	
R 2862	(B,121,103)	RS1/16SS473J		R 2969	(B,77,7)	RS1/16SS0R0J	
R 2863	(B,115,104)	RS1/16SS223J		R 2970	(B,79,14)	RS1/16SS0R0J	A
R 2864	(B,117,105)	RS1/16SS103J		R 2971	(B,78,7)	RS1/16SS0R0J	
R 2865	(B,122,112)	RS1/10S102J		R 2972	(B,80,7)	RS1/16SS0R0J	
R 2866	(B,113,115)	RS1/16SS103J		R 2973	(B,81,14)	RS1/16SS0R0J	
R 2867	(B,116,114)	RS1/16SS103J		R 2974	(B,81,7)	RS1/16SS0R0J	
R 2868	(B,114,114)	RS1/16SS221J		R 2975	(B,82,7)	RS1/16SS0R0J	
R 2869	(B,112,114)	RS1/16SS101J		R 2976	(B,83,7)	RS1/16SS0R0J	
R 2870	(A,152,110)	RS1/16S473J		R 2977	(B,84,7)	RS1/16SS0R0J	
R 2871	(A,153,112)	RS1/16S104J		R 2978	(A,84,20)	RS1/16SS0R0J	
R 2872	(B,153,108)	RS1/16S102J		R 2979	(A,86,18)	RS1/16SS0R0J	
R 2873	(B,156,108)	RS1/16S472J		R 2980	(A,87,18)	RS1/16SS0R0J	
R 2874	(B,149,110)	RS1/4S102J		R 2981	(A,87,22)	RS1/16SS0R0J	B
R 2875	(B,151,113)	RS1/4S472J		R 2982	(A,89,9)	RS1/16SS0R0J	
R 2880	(A,165,120)	RS1/16S103J		R 2983	(A,155,8)	RS1/16SS0R0J	
R 2881	(B,147,132)	RS1/4S472J		R 3041	(A,74,55)	RS1/16S182J	
R 2882	(B,142,132)	RS1/4S102J		R 3042	(A,74,57)	RS1/16S182J	
R 2883	(B,124,22)	RS1/16SS472J		R 3043	(A,75,53)	RS1/16S473J	
R 2884	(B,121,21)	RS1/16SS472J		R 3044	(A,74,53)	RS1/16S473J	
R 2900	(A,168,124)	RS1/16S473J		R 3601	(B,28,21)	RS1/16S224J	
R 2901	(A,169,121)	RS1/16S104J		R 3602	(B,33,21)	RS1/16S102J	
R 2902	(A,166,127)	RS1/4S102J		R 3603	(B,26,24)	RS1/16S222J	
R 2903	(A,166,130)	RS1/4S472J		R 3604	(B,22,20)	RS1/16S224J	
R 2910	(B,153,71)	RS1/16S473J		R 3605	(B,18,13)	RS1/16S102J	C
R 2911	(B,144,108)	RS1/16S473J		R 3606	(B,23,22)	RS1/16S222J	
R 2912	(A,59,90)	RS1/4S4R7J		R 3607	(B,15,20)	RS1/16S224J	
R 2913	(A,64,92)	RS1/4S4R7J		R 3608	(B,15,15)	RS1/16S102J	
R 2920	(B,91,109) (A)	RS1/16S622J		R 3609	(B,14,23)	RS1/16S222J	
	(B,91,109) (B,C)	RS1/16S0R0J		R 3610	(B,28,18)	RS1/16S121J	
R 2921	(B,87,114) (A)	RS1/16S622J		R 3611	(B,26,20)	RS1/16S101J	
	(B,87,114) (B,C)	RS1/16S0R0J		R 3612	(B,30,15)	RS1/16S101J	
R 2922	(B,87,117) (A)	RS1/16S622J		R 3616	(B,19,20)	RS1/16S121J	
	(B,87,117) (B,C)	RS1/16S0R0J		R 3617	(B,19,22)	RS1/16S151J	
R 2923	(B,94,108) (A)	RS1/16S622J		R 3618	(B,20,15)	RS1/16S101J	
	(B,94,108) (B,C)	RS1/16S0R0J					D
R 2924	(A,95,120)	RS1/16S103J		R 3622	(B,10,20)	RS1/16S151J	
R 2925	(A,92,120)	RS1/16S103J		R 3623	(B,11,22)	RS1/16S181J	
R 2926	(A,102,118)	RS1/16S103J		R 3624	(B,13,16)	RS1/16S101J	
R 2940	(B,60,6)	RS1/16S0R0J		R 3629	(B,70,7)	RS1/16S0R0J	
R 2941	(A,56,9)	RS1/16SS101J		R 4001	(B,57,61)	RS1/16S750J	
R 2942	(A,60,15)	RS1/16SS101J		R 4021	(A,53,49)	RS1/16S750J	
R 2943	(B,61,12)	CTF1556		R 4041	(B,57,37)	RS1/16S750J	
R 2944	(B,61,13)	CTF1556		R 4061	(A,57,48)	RS1/16S102J	
R 2945	(B,58,13)	CTF1556		R 4071	(A,68,46)	RS1/16SS473J	
R 2946	(B,65,8)	CTF1556		R 4072	(A,67,46)	RS1/16SS473J	
R 2947	(A,59,21)	CTF1675		R 4073	(A,64,56)	RS1/16SS473J	E
R 2948	(A,60,21)	CTF1675		R 4074	(A,65,42)	RS1/16SS473J	
R 2949	(A,64,21)	CTF1675		R 4075	(A,63,42)	RS1/16SS473J	
R 2950	(A,66,21)	CTF1675		R 4076	(A,67,50)	RS1/16SS473J	
R 2951	(B,66,18)	RS1/16SS0R0J		R 4077	(A,64,55)	RS1/16SS473J	
R 2952	(B,68,18)	RS1/16SS0R0J		R 4078	(A,64,51)	RS1/16SS473J	
R 2953	(B,65,13)	RS1/16SS0R0J		R 4079	(A,62,41)	RS1/16SS330J	
R 2954	(B,69,11)	RS1/16SS0R0J		R 4080	(A,62,54)	RS1/16SS330J	
R 2959	(B,76,4)	RS1/16S0R0J		R 4151	(B,64,32)	RS1/16SS103J	
R 2960	(B,73,8)	RS1/16SS0R0J		R 4152	(B,63,33)	RS1/16SS103J	
R 2961	(B,74,8)	RS1/16SS0R0J		R 4153	(B,66,33)	RS1/16SS103J	F
R 2962	(A,77,17)	RS1/16SS0R0J		R 4154	(B,65,32)	RS1/16SS103J	
R 2963	(A,78,17)	RS1/16SS0R0J		R 4155	(B,68,35)	RS1/16SS102J	
R 2964	(A,80,21)	RS1/16SS0R0J		R 4156	(B,69,36)	RS1/16SS104J	
R 2967	(B,76,18)	RS1/16SS0R0J		R 4157	(B,72,34)	RS1/16SS104J	

	1		2		3		4	
	<u>Circuit Symbol and No.</u>		<u>Part No.</u>		<u>Circuit Symbol and No.</u>		<u>Part No.</u>	
A	R 4158	(B,74,33)	RS1/16SS683J		R 4342	(B,90,92)	RS1/16SS223J	
	R 4159	(B,72,32)	RS1/16SS473J		R 4343	(B,103,89)	RS1/16SS471J	
	R 4170	(B,82,53)	RS1/16SS223J		R 4344	(B,94,82)	RS1/16SS471J	
	R 4171	(B,79,49)	RS1/16SS223J		R 4345	(B,94,89)	RS1/16SS471J	
	R 4174	(B,65,21)	RS1/16SS223J		R 4346	(B,101,89)	RS1/16SS471J	
	R 4175	(B,63,21)	RS1/16SS223J		R 4347	(B,92,82)	RS1/16SS471J	
	R 4176	(B,75,57)	RS1/16SS0R0J		R 4348	(B,92,89)	RS1/16SS471J	
	R 4194	(B,62,41)	RS1/16SS221J		R 4351	(A,126,111)	RS1/16S153J	
	R 4195	(B,63,40)	RS1/16SS221J		R 4352	(A,130,111)	RS1/10S103J	
					R 4601	(B,106,61)	RS1/10S0R0J	
	R 4200	(A,75,39)	RS1/16S750J					
	R 4231	(B,59,26)	RS1/16SS223J		R 4602	(B,110,59)	RS1/16S2200D	
	R 4232	(B,59,21)	RS1/16SS303J		R 4603	(B,111,59)	RS1/16S4701D	
	R 4233	(B,57,21)	RS1/16SS681J		R 4604	(B,112,59)	RS1/16S1501D	
B	R 4234	(B,57,23)	RS1/16SS102J		R 4605	(B,108,59)	RS1/16S101J	
					R 4606	(B,115,59)	RS1/16S332J	
	R 4235	(B,62,21)	RS1/16SS681J					
	R 4236	(B,54,18)	RS1/16SS152J		R 4607	(B,118,59)	RS1/16S104J	
	R 4237	(B,57,18)	RS1/16SS0R0J		R 4608	(B,115,69)	RS1/16S473J	
	R 4240	(B,59,27)	RS1/16SS0R0J		R 4609	(B,111,64)	RS1/16S1503D	
	R 4251	(B,101,113)	RS1/16S750J		R 4610	(B,109,62)	RS1/16S8203D	
					R 4611	(B,120,60)	RS1/10S100J	
	R 4252	(B,103,112)	RS1/16SS473J					
	R 4253	(B,101,111)	RS1/16SS473J		R 4612	(B,125,67)	RS1/16S100J	
	R 4254	(B,99,111)	RS1/16SS101J		R 4614	(B,125,64)	RS1/16S184J	
	R 4255	(B,106,112)	RS1/16SS101J		R 4615	(B,142,55)	RS1/16S105J	
	R 4263	(A,104,109)	RS1/16SS0R0J		R 4616	(B,92,99)	RS1/8S222J	
C					R 4633	(A,128,85)	RS1/16SS821J	
	R 4271	(B,57,65)	RS1/16S0R0J		R 4641	(B,140,8)	RS1/4SA561J	
	R 4272	(B,85,64) (A,B)	RS1/16S181J					
	R 4273	(B,55,68) (A,B)	RS1/16S181J		R 4643	(B,142,19)	RS1/16S331J	
	R 4274	(B,86,66) (A,B)	RS1/16S223J		R 4644	(B,138,20)	RS1/16S0R0J	
	R 4275	(B,84,67) (A,B)	RS1/16S102J		R 4645	(B,143,19)	RS1/16S5600D	
					R 4646	(B,144,19)	RS1/16S8201D	
	R 4276	(B,52,68) (A,B)	RS1/16S223J		R 4647	(B,145,19)	RS1/16S1501D	
	R 4277	(B,50,69) (A,B)	RS1/16S102J					
	R 4285	(B,58,72)	RS1/16SS0R0J		R 4648	(B,147,29)	RS1/16S473J	
	R 4286	(B,84,70)	RS1/16SS0R0J		R 4649	(B,148,19)	RS1/16S332J	
	R 4287	(B,75,74)	RS1/16SS102J		R 4650	(B,151,19)	RS1/16S104J	
D					R 4651	(B,144,24)	RS1/16S1503D	
	R 4289	(B,75,75)	RS1/16SS102J		R 4652	(B,142,22)	RS1/16S8203D	
	R 4291	(B,75,76)	RS1/16SS102J					
	R 4292	(A,51,74) (A)	RS1/16S0R0J		R 4653	(B,153,19)	RS1/10S100J	
	R 4293	(B,77,80)	RS1/16SS0R0J		R 4654	(B,157,23)	RS1/16S184J	
	R 4295	(B,58,76)	RS1/16SS0R0J		R 4656	(B,157,25)	RS1/16S100J	
					R 4657	(A,158,17)	RS1/16S105J	
	R 4296	(A,53,74) (B,C)	RS1/16S0R0J		R 4662	(B,137,35)	RS1/10S0R0J	
	R 4301	(B,85,79) (A)	RS1/16S182J					
	R 4312	(B,77,31)	RS1/16SS821J		R 4663	(B,142,35)	RS1/16S1800D	
	R 4313	(B,78,36)	RS1/16SS104J		R 4664	(B,144,35)	RS1/16S4701D	
	R 4316	(B,83,44)	RS1/16SS0R0J		R 4665	(B,145,35)	RS1/16S1501D	
					R 4666	(B,112,69)	RS1/16S473J	
E					R 4667	(B,141,35)	RS1/16S101J	
	R 4317	(B,79,44)	RS1/16SS0R0J					
	R 4331	(B,106,92) (A)	RS1/16SS390J		R 4668	(B,148,35)	RS1/16S332J	
		(B,106,92) (B,C)	RS1/16SS821J		R 4669	(B,150,35)	RS1/16S104J	
	R 4332	(B,99,92) (A)	RS1/16SS390J		R 4670	(B,146,45)	RS1/16S473J	
		(B,99,92) (B,C)	RS1/16SS821J		R 4671	(B,144,40)	RS1/16S1503D	
					R 4672	(B,141,37)	RS1/16S8203D	
	R 4333	(B,96,85)	RS1/16SS390J					
	R 4334	(B,89,85)	RS1/16SS390J		R 4673	(B,153,35)	RS1/10S100J	
	R 4335	(B,96,92) (A)	RS1/16SS390J		R 4674	(B,158,43)	RS1/16S100J	
		(B,96,92) (B,C)	RS1/16SS821J		R 4676	(B,157,40)	RS1/16S184J	
	R 4336	(B,89,92) (A)	RS1/16SS390J		R 4677	(B,147,57)	RS1/16S105J	
		(B,89,92) (B,C)	RS1/16SS821J		R 4678	(B,137,8)	RS1/4SA221J	
F								
	R 4337	(B,104,92)	RS1/16SS223J		R 4680	(B,142,46)	RS1/16SS0R0J	
	R 4338	(B,95,85)	RS1/16SS223J		R 4681	(B,163,56) (A)	RS1/4SA272J	
	R 4339	(B,95,92)	RS1/16SS223J		R 4682	(B,168,58) (A)	RS1/4SA272J	
	R 4340	(B,100,92)	RS1/16SS223J		R 4683	(B,161,59) (A)	RS1/16S101J	
	R 4341	(B,90,85)	RS1/16SS223J					

5		6		7		8	
<u>Circuit Symbol and No.</u>		<u>Part No.</u>		<u>Circuit Symbol and No.</u>		<u>Part No.</u>	
R 4685	(B,166,67) (A)	RS1/16S391J		C 614	(B,101,45)	CKSRYB104K16	
R 4686	(A,159,70) (A)	RS1/16S1R0J		C 615	(B,31,9)	CKSRYB104K16	
R 4687	(B,162,78) (A)	RS1/16S331J		C 617	(A,100,20)	CKSRYB104K16	A
R 4688	(B,160,79) (A)	RS1/16S331J		C 618	(A,105,46)	CKSRYB104K16	
R 4721	(A,43,127) (A,B)	RS1/16S472J		C 619	(B,96,41)	CKSRYB104K16	
R 4722	(A,41,129) (A,B)	RS1/16S101J		C 620	(A,108,20)	CKSRYB104K16	
R 4723	(A,42,129) (A,B)	RS1/16S101J		C 621	(A,122,25)	CKSRYB104K16	
R 4724	(A,55,117) (A,B)	RS1/16S102J		C 622	(A,120,35)	CKSRYB104K16	
R 4725	(A,59,117) (A,B)	RS1/16S101J		C 623	(B,70,16)	CKSRYB103K16	
R 4726	(A,62,117) (A,B)	RS1/16S101J		C 630	(B,113,44)	CKSRYB104K50	
R 4727	(B,60,116) (A,B)	RS1/16S620J		C 632	(B,103,25)	CKSRYB104K16	
R 4728	(B,43,133) (A,B)	RS1/16S472J		C 636	(B,94,39)	CKSSYB104K16	
R 4731	(B,125,100) (A,B)	RS1/16S222J		C 671	(B,52,10)	CKSSYB104K16	
R 4732	(B,146,87)	RS1/16S473J		C 672	(A,48,33)	CKSSYB104K16	B
R 4733	(B,125,98) (A,B)	RS1/16S682J		C 685	(A,71,28)	CKSSYB104K16	
R 4734	(B,153,92)	RS1/16S103J					
R 4735	(B,149,87)	RS1/16S104J		C 696	(B,96,28) 10 uF(C)	CCG1171	
R 4736	(B,120,98) (A,B)	RS1/16S332J		C 705	(A,81,75)	CKSRYB104K25	
R 4737	(B,151,95)	RS1/16S103J		C 706	(A,89,74)	CKSRYB104K25	
R 4738	(B,142,93)	RS1/16S473J		C 707	(A,80,75)	CKSRYF104Z25	
R 4739	(B,144,92)	RS1/16S104J		C 708	(A,88,74)	CKSRYF104Z25	
R 4749	(B,34,7)	RS1/16S472J		C 709	(A,88,69)	CKSRYF104Z25	
R 4750	(B,32,9)	RS1/16S472J		C 711	(B,95,63)	CKSRYB103K16	
R 4751	(A,34,13)	RS1/16S101J		C 1020	(B,69,7)	CKSRYB102K50	
R 4752	(A,34,6)	RS1/16S101J		C 1021	(B,67,7)	CKSRYB102K50	
R 4753	(A,35,11)	RS1/16S105J		C 1022	(B,62,8)	CKSRYB104K50	C
R 4754	(A,33,11)	RS1/16S103J		C 1077	(A,53,29)	CKSRYB104K25	
R 4755	(A,36,8)	RS1/16S105J		C 1078	(A,56,29)	CKSRYB104K25	
R 4756	(A,33,4)	RS1/16S103J		C 1401	(B,20,109)	CCSRCH270J50	
R 4757	(A,29,6)	RS1/16S0R0J		C 1402	(B,25,110)	CCSRCH220J50	
R 4758	(A,29,16)	RS1/16S272J		C 1403	(B,25,112)	CCSRCH270J50	
R 4771	(B,110,91)	RS1/16SS472J		C 1404	(B,31,110)	CCSRCH330J50	
R 4772	(B,109,87)	RS1/16SS472J		C 1405	(B,30,108)	CCSRCH470J50	
R 4773	(B,115,94)	RS1/16SS103J		C 1406	(A,35,101)	CKSRYB103K50	
R 4774	(B,113,94)	RS1/16SS512J		C 1407	(A,36,107)	CKSRYB103K50	
R 4775	(B,112,85)	RS1/16SS224J		C 1408	(A,41,88)	CKSRYB103K50	D
R 4776	(B,112,84)	RS1/16SS472J		C 1409	(A,37,93)	CKSRYB222K50	
R 4777	(B,116,88)	RS1/10S221J		C 1421	(B,34,93)	CKSRYB222K50	
R 4778	(B,118,85)	RS1/4S471J		C 1422	(B,39,92)	CKSRYB222K50	
R 4779	(B,94,113) (A)	RS1/16S123J		C 1423	(B,30,99)	CCSRCH150J50	
R 4780	(B,83,116) (A)	RS1/16S123J		C 1424	(B,42,91)	CKSRYB103K50	
R 4781	(B,85,115) (A)	RS1/16S123J		C 1426	(B,29,102)	CCSRCH270J50	
R 4782	(B,92,110) (A)	RS1/16S123J		C 1441	(A,31,87)	CKSRYB222K50	
R 4783	(B,121,29)	RS1/16SS332J		C 1442	(A,37,87)	CKSRYB222K50	
R 4784	(B,121,25)	RS1/16SS332J		C 1443	(A,36,82)	CCSRCH220J50	
R 4812	(A,8,46) (B)	RS1/16SS0R0J		C 1444	(A,41,84)	CKSRYB103K50	
R 4815	(A,8,53) (C)	RS1/16SS0R0J		C 1452	(B,27,69)	CKSSYB103K50	E
R 4821	(A,8,30) (A)	RS1/16SS0R0J		C 1458	(B,28,59)	CKSRYB103K50	
CAPACITORS				C 1461	(A,31,69)	CEVW221M10	
C 601	(B,122,39)	CKSRYB104K16		C 1462	(A,31,58)	CEVW221M10	
C 602	(B,44,5)	CKSRYB104K50		C 1464	(A,22,85)	CCSRCH101J50	
C 604	(B,120,46)	CKSRYB104K50		C 1465	(A,38,72)	CKSRYB103K50	
C 605	(A,39,13)	CKSRYB104K16		C 1466	(A,27,75)	CKSRYB103K50	
C 606	(B,104,33)	CKSRYB104K50					
C 607	(B,94,45)	CKSRYB153K50		C 1468	(B,24,51) 10 uF	CCG1203	
C 608	(B,96,36)	CKSSYB104K16		C 1469	(B,22,51)	CKSRYB103K50	
C 609	(B,96,33)	CKSRYB104K16		C 1476	(A,35,38)	CKSSYB103K25	
C 613	(B,96,46)	CKSRYB104K16		C 2800	(B,94,103)	CKSRYB102K50	
				C 2801	(A,158,98) 100 uF/16 V	CCH1565	F
				C 2802	(A,163,99)	CCSRCH102J50	
				C 2804	(A,163,101)	CKSRYB104K50	
				C 2805	(B,93,101)	CKSRYB104K50	

1

2

3

4

Circuit Symbol and No.**Part No.****Circuit Symbol and No.****Part No.**

C 2810	(A,105,101)	CEVW101M16	C 4073	(A,68,52) 10 uF	CCG1203
C 2811	(B,101,102)	CKSRYB104K50	C 4075	(A,63,40)	CCSRCH330J50
C 2812	(A,106,96)	CKSRYB104K50	C 4076	(A,61,47)	CKSRYB104K50
A C 2820	(A,158,86) 100 uF/16 V	CCH1565	C 4078	(A,63,53)	CCSRCH330J50
C 2821	(A,163,87)	CKSRYB103K50	C 4079	(A,60,39)	CKSRYB103K50
C 2823	(A,163,91)	CKSRYB104K50	C 4080	(A,62,56)	CKSRYB103K50
C 2830	(A,32,34)	CEVW101M16	C 4151	(B,63,30) 10 uF	CCG1203
C 2831	(B,32,29)	CKSRYB103K50	C 4152	(B,60,31) 10 uF	CCG1203
C 2833	(B,35,28)	CKSRYB104K50	C 4153	(B,66,32)	CCSSCH221J50
C 2840	(A,150,11)	CKSRYB104K50	C 4154	(B,70,30)	CKSSYB104K16
C 2841	(B,149,9)	CKSRYB102K50	C 4155	(B,66,35)	CKSSYB103K25
C 2842	(A,153,8)	CKSRYB104K50	C 4156	(B,74,34)	CKSSYB104K16
C 2843	(A,155,10)	CKSRYB103K50	C 4157	(B,73,34)	CCSSCH151J50
B C 2844	(A,155,9)	CKSRYB823K16	C 4158	(B,71,35)	CCSSCH151J50
C 2860	(A,119,114)	CEVW470M16	C 4159	(B,77,29)	CKSQYB225K10
C 2861	(B,120,114)	CKSRYB104K50	C 4160	(B,65,33)	CCSSCH221J50
C 2862	(A,110,113)	CEVW330M10	C 4171	(A,70,61)	CEVLW470M16
C 2870	(A,150,109)	CKSRYB102K50	C 4172	(B,73,60)	CKSRYB104K50
C 2871	(B,146,114)	CKSRYB102K50	C 4173	(A,58,58)	CEVLW470M16
C 2872	(B,157,114)	CKSRYB102K50	C 4174	(B,74,60)	CKSYB226K6R3
C 2881	(A,167,110)	CKSQYB105K16	C 4181	(B,61,57)	CKSRYB104K50
C 2882	(B,145,132)	CKSRYB102K50	C 4182	(B,76,59)	CKSRYB104K50
C 2890	(B,161,103)	CKSRYB104K50	C 4183	(B,63,59)	CKSYB226K6R3
C 2891	(B,161,106)	CKSRYB102K50	C 4184	(B,64,61)	CKSRYB104K50
C 2892	(A,161,110)	CKSRYB102K50	C 4185	(B,58,39)	CKSQYB475K10
C 2901	(A,169,129)	CKSRYB104K50	C 4186	(B,57,49)	CKSQYB475K10
C 2910	(A,150,64)	CEAT103M16(P30)	C 4187	(B,58,42)	CKSQYB475K10
C 2911	(A,59,104)	CEAT103M16(P30)	C 4188	(B,66,61)	CKSRYB105K10
C 2912	(A,77,95)	CEAT103M16(P30)	C 4189	(B,68,61)	CKSRYB105K10
C 2920	(B,92,113)	CKSQYB105K16	C 4190	(B,69,58)	CKSRYB105K10
C 2921	(B,81,114)	CKSQYB105K16	C 4191	(B,70,58)	CKSRYB105K10
C 2922	(B,81,117)	CKSQYB105K16	C 4192	(B,67,58)	CKSRYB105K10
C 2923	(B,96,115)	CKSQYB105K16	C 4193	(B,78,59)	CKSRYB105K10
C 2924	(A,99,120)	CKSRYB104K50	C 4194	(B,65,58)	CKSRYB105K10
C 2925	(B,92,116)	CKSRYB105K10	C 4195	(B,57,55)	CKSQYB475K10
D C 2926	(B,78,114)	CKSRYB105K10	C 4197	(B,57,58)	CKSQYB475K10
C 2927	(B,78,117)	CKSRYB105K10	C 4198	(B,79,59)	CKSRYB105K10
C 2928	(B,94,116)	CKSRYB105K10	C 4199	(A,57,53)	CKSRYB105K10
C 2929	(A,93,114)	CEVW101M25	C 4200	(B,78,52)	CKSRYB105K10
C 2930	(A,102,114)	CKSRYB104K50	C 4201	(A,57,51)	CKSRYB105K10
C 2931	(A,99,118)	CKSRYB105K10	C 4202	(B,79,54)	CKSRYB105K10
C 2932	(A,76,119)	CKSQYB225K10	C 4203	(B,57,52)	CKSQYB475K10
C 2933	(A,81,119)	CKSYB225K16	C 4204	(B,78,51)	CKSRYB105K10
C 2934	(A,81,116)	CEVW100M16	C 4206	(B,77,50)	CKSRYB105K10
C 2935	(A,147,80) 3 300 uF/16 V	CCH1018(P30)	C 4207	(B,57,48)	CKSRYB105K10
C 3041	(A,77,59) 10 uF	CCG1203	C 4208	(A,78,22)	CKSRYB105K10
E C 3042	(A,75,59) 10 uF	CCG1203	C 4210	(A,74,21)	CKSRYB105K10
C 3601	(B,26,22)	CKSQYB475K6R3	C 4211	(B,57,43)	CKSQYB475K10
C 3602	(A,15,18) 10 uF	CCG1203	C 4212	(A,71,21)	CKSRYB105K10
C 3604	(B,21,22)	CKSQYB475K6R3	C 4213	(A,68,21)	CKSRYB105K10
C 3607	(B,13,22)	CKSQYB475K6R3	C 4215	(B,76,44)	CKSRYB105K10
C 3611	(A,7,25)	CKSSYB102K50	C 4216	(B,58,36)	CKSQYB475K10
C 3612	(A,7,23)	CKSSYB102K50	C 4217	(B,75,43)	CKSRYB105K10
C 3613	(A,7,22)	CKSSYB102K50	C 4219	(A,72,34)	CEVW331M16
C 4061	(A,53,37)	CKSRYB103K50	C 4220	(A,72,43)	CEVWNP220M10
C 4062	(A,59,43)	CEVW100M16	C 4221	(B,72,39)	CKSRYB105K10
F C 4063	(A,53,40)	CKSRYB104K50	C 4222	(B,73,40)	CKSRYB105K10
C 4070	(A,67,56) 10 uF	CCG1203	C 4224	(B,57,46)	CKSRYB105K10
C 4071	(A,68,49) 10 uF	CCG1203	C 4231	(B,61,24)	CKSRYB105K10
C 4072	(A,68,54) 10 uF	CCG1203	C 4232	(A,63,26)	CEVWNP220M10

1

2

3

4

5		6		7		8	
<u>Circuit Symbol and No.</u>		<u>Part No.</u>		<u>Circuit Symbol and No.</u>		<u>Part No.</u>	
C 4233	(A,55,17)	CEVQW101M10		C 4608	(B,110,67)	CKSQYB475K10	
C 4251	(B,104,112)	CKSRYB473K50		C 4609	(B,124,61)	CKSRYF474Z16	
C 4252	(B,100,110) 10 uF	CCG1203		C 4610	(B,124,64)	CKSRYB104K16	A
C 4253	(B,105,110) 10 uF	CCG1203		C 4611	(A,117,56) 330 uF/6.3 V	CCH1366	
C 4254	(B,101,104)	CKSRYB104K25		C 4612	(A,118,71) 10 uF	CCG1223	
C 4264	(A,85,109)	CEVQW101M10		C 4613	(A,121,71) 10 uF	CCG1223	
C 4271	(B,81,67) 10 uF(A,B)	CCG1203		C 4614	(A,124,71) 10 uF	CCG1223	
C 4273	(B,84,65) (A,B)	CKSRYB105K6R3		C 4616	(B,139,58)	CKSRYB102K50	
C 4274	(B,78,64)	CKSRYB105K6R3		C 4617	(B,139,60)	CKSRYB104K50	
C 4275	(B,60,63)	CKSRYB105K6R3		C 4618	(B,110,53) 10 uF	CCG1223	
C 4276	(B,58,66)	CKSRYB105K6R3		C 4619	(B,113,55)	CKSRYB104K50	
C 4277	(B,53,70) 10 uF(A,B)	CCG1203		C 4631	(A,122,90)	CKSRYB104K50	
C 4280	(B,61,68) (A,B)	CKSRYB105K6R3		C 4641	(B,140,19)	CKSRYB103K25	
C 4281	(B,59,71)	CKSRYB105K6R3		C 4642	(B,147,19)	CCSRCH101J50	B
C 4284	(B,83,68)	CKSRYB105K6R3		C 4643	(B,149,19)	CKSRYB104K50	
C 4285	(B,61,70)	CKSRYB105K6R3		C 4644	(B,144,21)	CKSRYB473K50	
C 4286	(B,78,71)	CKSRYB105K6R3		C 4645	(B,144,22) 33 pF	CCG1252	
C 4287	(B,60,72)	CKSRYB105K6R3		C 4646	(B,143,25)	CKSRYB105K10	
C 4288	(A,67,69)	CEVW100M16		C 4647	(B,156,23)	CKSRYF104Z25	
C 4289	(A,59,69)	CEVW470M16		C 4648	(B,143,27)	CKSQYB475K10	
C 4291	(A,64,71)	CKSRYB104K16		C 4649	(B,156,21)	CKSRYF474Z16	
C 4293	(A,61,82)	CKSRYB104K16		C 4650	(B,156,28) 4.7 uF	CCG1222	
C 4294	(A,62,78)	CEVW100M16		C 4651	(A,132,21) 220 uF/10 V	CCH1409	
C 4295	(A,57,78)	CEVW4R7M16		C 4652	(A,154,32) 10 uF	CCG1223	
C 4296	(B,57,63)	CKSRYB104K16		C 4653	(A,150,32) 10 uF	CCG1223	C
C 4297	(A,75,65)	CKSRYB105K10		C 4654	(A,157,32) 10 uF	CCG1223	
C 4302	(A,73,70) (A)	CEVW470M16		C 4655	(B,133,22) 10 uF	CCG1223	
C 4303	(B,82,75) (A)	CKSRYB104K16		C 4656	(B,140,13)	CKSRYB104K50	
C 4304	(B,82,79) (A)	CKSRYB103K50		C 4657	(B,141,13)	CKSRYB102K50	
C 4331	(A,107,91) (A)	CEVW100M16		C 4658	(B,163,22)	CKSRYB102K50	
C 4332	(A,102,91) (A)	CEVW4R7M16		C 4659	(B,162,22)	CKSRYB104K50	
C 4333	(A,102,91) (B,C)	CEVW100M16		C 4661	(B,140,35)	CKSRYB103K25	
C 4333	(A,97,84) (A)	CEVW4R7M16		C 4662	(B,146,35)	CCSRCH102J50	
C 4334	(A,97,84) (B,C)	CEVW100M16		C 4663	(B,149,35)	CKSRYB104K16	
C 4334	(A,92,84) (A)	CEVW4R7M16		C 4664	(B,144,37)	CKSRYB473K50	
C 4335	(A,92,84) (B,C)	CEVW100M16		C 4665	(B,144,38) 33 pF	CCG1252	D
C 4335	(A,97,93) (A)	CEVW4R7M16		C 4666	(B,143,41)	CKSRYB105K10	
C 4336	(A,97,93) (B,C)	CEVW100M16		C 4667	(B,156,44) 4.7 uF	CCG1222	
C 4336	(A,92,94) (A)	CEVW4R7M16		C 4668	(B,142,43)	CKSQYB475K10	
C 4337	(B,106,90)	CKSRYB222K50		C 4669	(B,156,36)	CKSRYF474Z16	
C 4338	(B,96,83)	CKSRYB222K50		C 4670	(B,156,40)	CKSRYB104K16	
C 4339	(B,96,90)	CKSRYB222K50		C 4671	(A,132,35) 330 uF/6.3 V	CCH1366	
C 4340	(B,99,90)	CKSRYB222K50		C 4672	(A,157,47) 10 uF	CCG1223	
C 4341	(B,89,83)	CKSRYB222K50		C 4673	(A,150,47) 10 uF	CCG1223	
C 4342	(B,89,90)	CKSRYB222K50		C 4674	(A,153,47) 10 uF	CCG1223	
C 4351	(B,131,109)	CKSRYB104K25		C 4675	(B,133,32) 10 uF	CCG1223	
C 4352	(A,132,112)	CKSRYF103Z50		C 4676	(B,136,31)	CKSRYB104K50	E
C 4353	(A,123,108)	CKSRYB102K50		C 4677	(B,137,31)	CKSRYB102K50	
C 4371	(A,38,116)	CKSRYB102K50		C 4678	(B,162,35)	CKSRYB102K50	
C 4372	(A,41,123)	CKSRYB102K50		C 4679	(B,163,35)	CKSRYB104K50	
C 4600	(B,113,54)	CKSRYB102K50		C 4681	(B,169,65) 4.7 uF(A)	CCG1111	
C 4601	(B,107,59)	CKSRYB103K25		C 4682	(A,163,57) (A)	CEVW470M25	
C 4602	(B,114,59)	CCSRCH102J50		C 4683	(B,167,56) (A)	CKSRYB103K50	
C 4603	(B,117,59)	CKSRYB104K16		C 4684	(B,162,60) (A)	CCSRCH331J50	
C 4604	(B,111,61)	CKSRYB473K50		C 4685	(A,161,73) (A)	CKSRYB104K16	
C 4605	(B,111,63) 33 pF	CCG1252		C 4686	(A,157,75) (A)	CEVQW470M16	
C 4606	(B,110,66)	CKSRYB105K10		C 4687	(A,166,76) (A)	CEVW470M25	F
C 4607	(B,123,69) 4.7 uF	CCG1222		C 4688	(B,161,72) (A)	CKSRYB104K16	
				C 4701	(B,86,47)	CKSRYB105K16	
				C 4702	(A,88,47)	CKSRYB104K16	

1

Circuit Symbol and No.

2

Part No.

C 4704	(A,86,50)	CEVW100M16
C 4705	(A,92,48)	CEVW100M16
C 4706	(B,91,47)	CKSYB105K25
C 4707	(B,88,45)	CKSRYB104K16
C 4709	(B,86,45)	CKSRYB104K16
C 4710	(A,85,47)	CKSRYB104K16
C 4721	(A,56,117) (A,B)	CKSRYB472K50
C 4724	(B,58,132) (A,B)	CKSRYB104K50
C 4731	(B,152,54)	CKSRYB104K50
C 4732	(B,154,73)	CKSRYB104K50
C 4751	(A,35,10)	CKSRYB104K50
C 4771	(B,111,87)	CKSRYB104K50
C 4772	(B,110,84)	CKSRYB472K50
C 4773	(B,126,89)	CKSRYB103K50
C 4774	(A,117,93)	CEVW470M16
C 4775	(B,114,101)	CKSRYB103K50
C 4776	(A,118,101)	CEVW101M16
C 4784	(B,119,30)	CCSSCH470J50
C 4785	(B,119,28)	CCSSCH470J50
C 4786	(A,110,16)	CKSRYB104K16

B**Unit Number :****Unit Name : Keyboard Unit****MISCELLANEOUS**

D 801	(A,18,67) LED	NSSM025-6502
D 802	(A,12,15) Diode	MALS068X
D 805	(A,8,15) Diode	MALS068X
D 806	(B,5,8) Diode	MALS068X
D 807	(B,4,3) Diode	MALS068X
D 808	(B,9,75) Diode	RB521S-30
D 812	(B,14,82) Diode	RB521S-30
D 815	(A,12,23) LED	SMLE12BC7T(NP)
D 852	(B,10,78) Diode	HZU5R6(B2)
D 853	(B,12,78) Diode	HZU5R6(B2)
D 854	(A,14,76) Diode	HZU5R6(B2)
D 855	(A,11,75) Diode	HZU5R6(B2)
D 856	(B,18,82) Diode	HZU5R6(B2)
D 857	(A,23,68) Diode	HZU5R6(B2)
D 858	(A,23,70) Diode	HZU5R6(B2)
D 859	(B,9,74) Diode	HZU11(B2)
D 860	(B,9,72) Diode	HZU11(B2)
D 861	(A,17,71) Diode	HZU11(B2)
D 862	(A,21,65) Diode	HZU11(B2)
D 863	(A,22,62) Diode	HZU5R6(B2)
D 864	(B,7,71) Diode	HZU5R6(B2)
D 866	(A,14,63) Diode	HZU5R6(B2)
D 867	(A,7,63) Diode	HZU5R6(B2)
D 868	(B,5,69) Diode	MALS068X
D 869	(A,5,58) Diode	MALS068X
D 870	(A,7,56) Diode	MALS068X
D 871	(A,9,67) Diode	MALS068X
D 872	(A,9,65) Diode	MALS068X
S 801	(A,8,86) Push Switch	CSG1155
S 802	(A,11,80) Push Switch	CSG1155
S 803	(A,18,51) Switch(ROTARY COMMANDER)	CSX1135
S 804	(A,18,84) Push Switch	CSG1155
S 805	(A,24,80) Push Switch	CSG1155

3

Circuit Symbol and No.

ANT801 (A,4,39) Antenna

4

Part No.

CTX1095

RESISTORS

R 801	(B,23,57)	RS1/16S0R0J
R 802	(A,10,62)	RS1/16S0R0J
R 803	(B,8,61)	RS1/16S102J
R 804	(B,17,50)	RS1/16S162J
R 805	(B,6,76)	RS1/16S123J
R 806	(B,20,50)	RS1/16S302J
R 807	(A,18,76)	RS1/16S132J
R 808	(B,18,83)	RS1/16S103J
R 809	(A,18,79)	RS1/16S272J
R 810	(A,23,66)	RS1/16S241J

CAPACITORS

C 803	(A,19,63)	CKSRYB103K25
C 804	(A,10,63)	CKSRYB103K25
C 805	(A,13,67)	CKSRYB104K25
C 806	(A,14,67)	CKSRYB104K25

C**Unit Number : YWX5005****Unit Name : DVD Core Unit****MISCELLANEOUS**

IC 1003	(B,72,42) IC	S-80859CNNB-B9K
IC 1004	(B,75,48) Regulator IC	NJM2880U1-05
IC 1005	(B,61,58) IC	S-L2980A50MC-C7J
IC 1007	(B,82,54) IC	NJM2885DL1-33
IC 1008	(B,80,63) IC	R1232D121B
IC 1201	(A,26,15) IC	BD7996EFV
IC 1301	(B,90,27) IC	TC7SZ125FU
IC 1351	(B,86,27) IC	TC7SZ08FU
IC 1352	(B,79,13) IC	TC74LCX16373FT
IC 1401	(B,61,32) Flash ROM Unit	CWW1465
IC 1402	(B,37,10) Flash ROM Unit	CWW1466
IC 1403	(B,47,29) IC	TC7SZ32FU
IC 1481	(B,60,12) IC	EDS1232AATA-75-E
IC 1501	(A,60,19) IC	MN2DS0016AAUB
IC 1801	(A,70,52) D/A Converter	PCM1753DBQ
Q 1101	(B,62,50) Transistor	2SC4081
Q 1102	(B,68,50) Transistor	2SC4081
Q 1103	(B,60,45) Transistor	2SB1260
Q 1104	(B,66,45) Transistor	2SB1260
D 1002	(A,88,66) Diode	1SR154-400
D 1301	(B,12,10) Chip LED	CL205IRXTU
L 1004	(B,63,60) Inductor	CTF1472
L 1005	(B,81,49) Inductor	CTF1465
L 1006	(B,86,64) Inductor	CTF1678
L 1007	(B,74,63) Inductor	CTF1623
L 1101	(B,66,54) Inductor	CTF1305
L 1482	(B,77,29) Inductor	CTF1473
L 1502	(A,71,46) Inductor	CTF1378
L 1503	(A,60,47) Inductor	CTF1487
L 1504	(A,35,10) Inductor	CTF1387
L 1511	(A,63,3) Inductor	CTF1680
L 1601	(A,41,23) Inductor	CTF1473
L 1602	(A,55,42) Inductor	CTF1473

1

2

3

4

5		6		7		8	
<u>Circuit Symbol and No.</u>		<u>Part No.</u>		<u>Circuit Symbol and No.</u>		<u>Part No.</u>	
L 1603	(A,54,42)	Inductor	CTF1473	R 1243	(B,37,18)	RS1/16SS3R9J	
L 1604	(A,52,42)	Inductor	CTF1473	R 1244	(B,36,18)	RS1/16SS3R9J	
				R 1245	(B,35,18)	RS1/16SS3R9J	
L 1605	(A,38,32)	Inductor	CTF1395				
L 1671	(A,41,19)	Inductor	CTF1473	R 1301	(B,13,13)	RS1/16SS391J	A
L 1672	(A,41,20)	Inductor	CTF1473	R 1302	(B,15,13)	RS1/16SS471J	
L 1673	(A,41,21)	Inductor	CTF1473	R 1304	(B,87,23)	RS1/16SS563J	
L 1801	(A,70,61)	Inductor	CTF1473	R 1305	(B,86,23)	RS1/16SS243J	
				R 1306	(B,85,23)	RS1/16SS683J	
L 1901	(A,91,73)	Inductor	CTF1487				
L 1902	(A,91,62)	Inductor	CTF1558	R 1307	(B,88,23)	RS1/16SS243J	
X 1501	(A,40,15)	Crystal 27.000 MHz	CSS1714	R 1314	(B,86,21)	RAB4CQ822J	
VR1671	(A,35,20)	Semi-fixed 10 kohm(B)	CCP1448	R 1351	(B,84,25)	RS1/16SS331J	
EF1501	(A,68,46)	EMI Filter	DTL1106	R 1401	(B,72,33)	RS1/16SS221J	
				R 1402	(B,50,27)	RS1/16SS104J	
EF1502	(A,61,44)	EMI Filter	DTL1106				
EF1901	(A,87,74)	EMI Filter	DTF1106	R 1405	(B,48,10)	RS1/16SS221J	B
EF1903	(A,91,64)	EMI Filter	DTL1106	R 1406	(B,25,4)	RS1/16SS104J	
				R 1407	(B,25,6)	RS1/16SS104J	
				R 1410	(B,47,31)	RS1/16SS104J	
				R 1501	(B,71,3)	RAB4CQ560J	

RESISTORS

R 1011	(B,72,40)		RS1/16SS104J				
R 1014	(B,82,61)		RS1/16SS473J	R 1502	(A,85,3)	RS1/16SS104J	
R 1015	(B,76,60)		RS1/16SS101J	R 1503	(A,71,2)	RS1/16SS560J	
R 1101	(B,63,52)		RS1/16SS391J	R 1504	(A,87,23)	RAB4CQ104J	
R 1102	(B,62,47)		RS1/16SS511J	R 1505	(B,68,3)	RAB4CQ560J	
				R 1506	(A,87,19)	RAB4CQ104J	
R 1103	(B,67,53)		RS1/16SS391J				
R 1104	(B,69,47)		RS1/16SS561J	R 1507	(B,65,3)	RAB4CQ560J	
R 1107	(B,61,53)		RS1/16SS6R8J	R 1508	(A,86,16)	RAB4CQ104J	C
R 1108	(B,65,53)		RS1/16SS6R8J	R 1509	(A,86,12)	RAB4CQ104J	
R 1109	(B,57,40)		RS1/10S1R5J	R 1510	(A,78,11)	RAB4CQ104J	
				R 1511	(A,88,4)	RS1/16SS104J	
R 1110	(B,63,40)		RS1/10S1R5J				
R 1111	(B,70,40)		RS1/10S1R5J	R 1512	(B,59,3)	RAB4CQ560J	
R 1112	(B,64,40)		RS1/10S1R5J	R 1513	(A,44,4)	RS1/16SS102J	
R 1113	(B,61,40)		RS1/10S1R5J	R 1514	(A,80,7)	RAB4CQ104J	
R 1114	(B,59,40)		RS1/10S1R5J	R 1515	(A,43,3)	RS1/16SS102J	
				R 1516	(A,76,8)	RS1/16SS103J	
R 1115	(B,66,40)		RS1/10S1R5J				
R 1116	(B,68,40)		RS1/10S1R5J	R 1518	(A,85,5)	RS1/16SS104J	
R 1117	(B,64,49)		RS1/16SS104J	R 1520	(A,35,8)	RS1/16SS221J	
R 1118	(B,70,49)		RS1/16SS104J	R 1521	(A,41,11)	RAB4CQ101J	D
R 1202	(A,19,12)		RS1/16SS221J	R 1522	(B,56,3)	RAB4CQ560J	
				R 1523	(A,39,11)	RS1/16SS101J	
R 1203	(A,19,11)		RS1/16SS221J				
R 1210	(A,30,27)		RS1/16SS101J	R 1524	(A,39,12)	RS1/16SS101J	
R 1211	(B,26,18)		RS1/16SS3R9J	R 1525	(B,53,3)	RAB4CQ560J	
R 1212	(B,27,18)		RS1/16SS3R9J	R 1526	(A,36,10)	RS1/16SS270J	
R 1214	(B,28,18)		RS1/16SS3R9J	R 1528	(A,43,14)	RS1/16SS101J	
				R 1529	(B,53,22)	RAB4CQ560J	
R 1215	(B,29,18)		RS1/16SS3R9J				
R 1216	(B,30,18)		RS1/16SS3R9J	R 1530	(A,43,15)	RS1/16SS105J	
R 1217	(B,31,18)		RS1/16SS3R9J	R 1531	(B,50,22)	RAB4CQ560J	
R 1219	(A,20,27)		RS1/16SS101J	R 1532	(A,77,22)	RS1/16SS103J	
R 1223	(A,19,4)		RS1/16SS753J	R 1533	(A,76,27)	RS1/16SS103J	E
				R 1534	(A,77,26)	RS1/16SS103J	
R 1225	(A,19,7)		RS1/16SS753J				
R 1227	(B,13,21)		RS1/16SS3R9J	R 1535	(A,63,36)	RS1/16SS221J	
R 1228	(B,14,21)		RS1/16SS3R9J	R 1537	(A,67,40)	RS1/16SS221J	
R 1229	(B,15,21)		RS1/16SS3R9J	R 1538	(A,66,41)	RS1/16SS221J	
R 1230	(B,16,21)		RS1/16SS3R9J	R 1540	(A,70,43)	RS1/16SS102J	
				R 1541	(A,64,41)	RS1/16SS472J	
R 1231	(B,17,21)		RS1/16SS3R9J				
R 1232	(B,18,21)		RS1/16SS3R9J	R 1542	(A,60,36)	RS1/16SS223J	
R 1233	(B,19,21)		RS1/16SS3R9J	R 1543	(A,59,37)	RS1/16SS332J	
R 1234	(B,20,21)		RS1/16SS3R9J	R 1544	(A,57,41)	RS1/16SS183J	
R 1240	(B,32,18)		RS1/16SS3R9J	R 1545	(A,61,36)	RS1/16SS223J	
				R 1546	(A,59,42)	RS1/16SS104J	F
R 1241	(B,33,18)		RS1/16SS3R9J				
R 1242	(B,34,18)		RS1/16SS3R9J	R 1547	(A,59,41)	RS1/16SS473J	
				R 1548	(A,59,36)	RS1/16SS104J	

1

2

3

4

Circuit Symbol and No.**Part No.****Circuit Symbol and No.****Part No.**

R 1554 (A,60,39)
R 1555 (A,57,38)
R 1556 (A,43,7)

RS1/16SS221J
RS1/16SS221J
RS1/16SS104J

C 1032 (B,82,59)
C 1033 (B,73,59)

CKSRYB105K10
CKSQYB106K6R3

A

R 1557 (A,57,39)
R 1559 (A,63,41)
R 1560 (A,68,42)
R 1562 (A,64,38)
R 1565 (A,73,36)

RS1/16SS104J
RS1/16SS221J
RAB4CQ104J
RAB4CQ104J
RS1/16SS103J

C 1034 (B,73,57)
C 1035 (B,45,27)
C 1101 (B,61,54) 10 uF
C 1102 (B,58,50) 100 uF
C 1103 (B,65,50) 100 uF

CKSQYB106K6R3
CCSSCH101J50
CCG1192
CCG1232
CCG1232

R 1566 (A,72,36)
R 1567 (B,68,22)
R 1568 (B,65,22)
R 1569 (B,62,3)
R 1570 (B,60,22)

RS1/16SS103J
RAB4CQ560J
RAB4CQ560J
RAB4CQ560J
RAB4CQ560J

C 1104 (B,63,43)
C 1105 (B,70,43)
C 1106 (B,63,45)
C 1107 (B,70,45)
C 1108 (A,35,36)

CKSSYB104K10
CKSSYB104K10
CKSSYB103K16
CKSSYB103K16
CKSSYB103K16

B

R 1571 (B,57,22)
R 1573 (B,63,19)
R 1582 (A,81,25)
R 1583 (A,81,27)
R 1584 (A,77,28)

RAB4CQ560J
RS1/16SS560J
RS1/16SS103J
RS1/16SS103J
RS1/16SS103J

C 1109 (A,36,33)
C 1110 (A,35,37)
C 1111 (A,39,33)
C 1201 (B,21,11)
C 1202 (B,15,17)

CKSRYB105K10
CKSSYB103K16
CKSRYB105K10
CEVW101M16
CKSYB475K16

R 1601 (A,41,25)
R 1602 (A,39,24)
R 1607 (A,41,27)
R 1609 (A,37,28)
R 1610 (A,43,28)

RS1/16SS123J
RS1/16SS123J
RS1/16SS105J
RN1/16SE1002D
RS1/16SS222J

C 1207 (B,16,10)
C 1209 (A,32,17)
C 1210 (A,32,19)
C 1211 (A,19,16)
C 1212 (A,19,8)

CKSQYB225K10
CKSSYB104K10
CKSSYB471K50
CKSSYB103K16
CKSSYB104K10

C

R 1613 (A,39,28)
R 1614 (A,46,35)
R 1615 (A,43,32)
R 1616 (A,53,36)
R 1672 (A,43,21)

RS1/16SS223J
RS1/16SS105J
RS1/16SS105J
RS1/16SS2002D
RS1/16SS303J

C 1213 (A,19,9)
C 1301 (B,90,25)
C 1302 (B,88,25)
C 1351 (B,86,25)
C 1352 (B,75,19)

CKSSYB104K10
CKSSYB104K10
CKSSYB104K10
CKSSYB104K10
CKSSYB104K10

R 1673 (A,37,22)
R 1674 (A,34,23)
R 1705 (A,55,57)
R 1706 (A,52,56)
R 1707 (A,55,51)

RS1/16SS183J
RS1/16SS562J
RS1/16SS101J
RS1/16SS201J
RS1/16SS101J

C 1353 (B,81,19)
C 1354 (B,74,7)
C 1355 (B,85,8)
C 1356 (B,83,28)
C 1401 (B,72,31)

CKSSYB104K10
CKSSYB104K10
CKSSYB104K10
CKSYB106K6R3
CKSSYB103K16

D

R 1708 (A,52,50)
R 1715 (A,60,56)
R 1716 (A,62,57)
R 1719 (A,60,50)
R 1720 (A,62,51)

RS1/16SS201J
RS1/16SS201J
RS1/16SS101J
RS1/16SS201J
RS1/16SS101J

C 1402 (B,49,33)
C 1403 (B,81,27)
C 1405 (B,48,8)
C 1406 (B,25,15)
C 1407 (B,74,27)

CKSSYB104K10
CKSQYB475K6R3
CKSSYB103K16
CKSSYB104K10
CKSQYB475K6R3

R 1803 (A,72,56)
R 1804 (A,74,56)
R 1805 (A,72,61)
R 1806 (A,74,61)
R 1903 (A,89,52)

RS1/16SS821J
RS1/16SS821J
RS1/16SS104J
RS1/16SS104J
RS1/16SS0R0J

C 1408 (B,47,27)
C 1481 (B,72,5)
C 1482 (B,72,7)
C 1483 (B,67,5)
C 1484 (B,63,5)

CKSSYB104K10
CKSSYB104K10
CKSSYB104K10
CKSSYB104K10
CKSSYB104K10

R 1904 (A,90,59)

RS1/16S0R0J

C 1485 (B,56,5)
C 1486 (B,53,5)
C 1487 (B,51,5)
C 1488 (B,49,5)
C 1490 (B,68,19)

CKSSYB104K10
CKSSYB104K10
CKSSYB104K10
CKSSYB104K10
CKSSYB104K10

E

CAPACITORS

C 1019 (B,58,59)
C 1020 (B,58,57)
C 1021 (B,60,60)
C 1022 (B,79,47)
C 1023 (B,79,49)

CCSSCH101J50
CKSSYB104K10
CKSRYB105K10
CKSSYB103K16
CKSSYB104K10

C 1491 (B,77,27)
C 1492 (B,55,19)
C 1493 (B,52,19)
C 1494 (B,65,19)
C 1496 (B,65,5)

CKSQYB106K6R3
CKSSYB104K10
CKSSYB104K10
CKSSYB104K10
CKSSYB102K50

C 1024 (B,71,48)
C 1025 (B,64,58)
C 1026 (B,12,19)
C 1027 (A,90,53)
C 1028 (B,89,56)

CKSQYB475K10
CKSRYB105K10
CKSSYB104K10
CCSSCH101J50
CKSRYB105K10

C 1497 (B,61,19)
C 1498 (B,77,26)
C 1499 (B,49,4)
C 1501 (A,68,44)
C 1502 (A,58,43)

CKSSYB102K50
CKSSYB102K50
CKSSYB102K50
CKSQYB106K6R3
CKSQYB106K6R3

F

C 1029 (B,89,52)
C 1030 (B,84,59)
C 1031 (B,85,59)

CKSQYB225K10
CKSQYB106K6R3
CKSQYB106K6R3

C 1503 (A,55,3)
C 1504 (A,58,3)
C 1505 (A,53,3)

CKSSYB104K10
CKSSYB104K10
CKSSYB104K10

1

2

3

4

5		6		7		8	
<u>Circuit Symbol and No.</u>		<u>Part No.</u>		<u>Circuit Symbol and No.</u>		<u>Part No.</u>	
C 1506	(A,60,3)	CKSSYB104K10		C 1672	(A,43,19)	CKSSYB104K10	
C 1507	(A,68,2)	CKSSYB104K10		C 1673	(A,37,21)	CKSSYB104K10	
C 1508	(A,65,3)	CKSSYB104K10		C 1674	(A,39,21)	CKSSYB104K10	A
C 1509	(A,69,2)	CKSSYB104K10		C 1675	(A,39,19)	CKSSYB105K10	
C 1510	(A,43,11)	CKSSYB104K10		C 1676	(A,37,19)	CKSSYB105K10	
C 1511	(A,76,7)	CKSSYB104K10		C 1677	(A,43,22)	CKSSYB104K10	
C 1512	(A,76,11)	CKSSYB104K10		C 1801	(A,74,52)	CKSSYB104K10	
C 1513	(A,43,10)	CKSSYB104K10		C 1802	(A,67,58) 10 uF	CCG1192	
C 1514	(A,76,17)	CKSSYB104K10		C 1803	(A,67,56)	CKSSYB104K10	
C 1515	(A,43,16)	CKSSYB104K10		C 1804	(A,69,58) 10 uF	CCG1192	
C 1516	(A,76,15)	CKSSYB104K10		C 1805	(A,69,56)	CKSSYB104K10	
C 1517	(A,43,17)	CKSSYB104K10		C 1808	(A,72,57)	CCSRCH182J50	
C 1518	(A,37,14)	CCSSCH8R0D50		C 1809	(A,75,57)	CCSRCH182J50	
C 1519	(A,37,16)	CCSSCH8R0D50		C 1810	(A,72,59)	CKSQYB475K6R3	B
C 1521	(A,76,24)	CKSSYB104K10		C 1811	(A,74,59)	CKSQYB475K6R3	
C 1522	(A,77,24)	CKSSYB104K10		C 1901	(A,84,74)	CKSSYB102K50	
C 1523	(A,58,36)	CKSSYB104K10					
C 1524	(A,57,37)	CKSSYB103K16					
C 1525	(A,66,36)	CKSSYB104K10					
C 1526	(A,62,40)	CKSSYB103K16					
C 1527	(A,63,35)	CKSSYB471K50					
C 1528	(A,65,36)	CKSSYB104K10					
C 1529	(A,60,38)	CKSSYB103K16					
C 1530	(A,59,39)	CKSSYB224K6R3					
C 1531	(A,57,42)	CKSSYB123K16					
C 1536	(A,76,20)	CKSSYB104K10					
C 1537	(A,55,43)	CKSSYB102K50					
C 1538	(A,53,43)	CKSSYB102K50					
C 1539	(A,57,36)	CKSSYB104K10					
C 1540	(A,61,38)	CKSSYB103K16					
C 1560	(A,51,3)	CKSSYB104K10					
C 1577	(A,77,30)	CKSSYB104K10					
C 1601	(A,41,24)	CCSSCH101J50					
C 1602	(A,43,24)	CCSSCH101J50					
C 1603	(A,37,23)	CCSSCH680J50					
C 1604	(A,39,25)	CCSSCH680J50					
C 1608	(A,41,26)	CKSSYB103K16					
C 1609	(A,43,26)	CKSSYB103K16					
C 1610	(A,53,39)	CCSSCH101J50					
C 1611	(A,53,37)	CKSSYB562K25					
C 1612	(A,55,36)	CKSSYB224K6R3					
C 1613	(A,55,37)	CKSSYB224K6R3					
C 1614	(A,56,37)	CKSSYB333K16					
C 1615	(A,41,30)	CKSRYB105K10					
C 1616	(A,48,36)	CKSSYB104K10					
C 1617	(A,49,38)	CKSSYB104K10					
C 1618	(A,51,38)	CKSSYB104K10					
C 1619	(A,51,36)	CKSSYB104K10					
C 1620	(A,50,36)	CKSSYB104K10					
C 1621	(A,50,38)	CKSSYB104K10					
C 1622	(A,52,38)	CKSSYB104K10					
C 1623	(A,52,39)	CKSSYB104K10					
C 1624	(A,43,27)	CKSSYB103K16					
C 1625	(A,56,36)	CKSSYB104K10					
C 1626	(A,41,31)	CKSRYB105K10					
C 1627	(A,43,23)	CKSSYB104K10					
C 1628	(A,54,36)	CKSSYB104K10					
C 1629	(A,49,36)	CKSSYB104K10					
C 1630	(A,38,30)	CKSQYB106K6R3					
C 1671	(A,43,18)	CKSSYB104K10					

D

Unit Number : CWX3595
Unit Name : Compound Unit(A)

Q 1299	Photo-taransistor	CPT231SCTD
S 1201	Spring Switch(12cm)	CSN1069
S 1202	Spring Switch(8cm)	CSN1069
S 1203	Spring Switch(DISC SENS)	CSN1069
S 1204	Spring Switch(DISC SENS)	CSN1070
S 1205	Spring Switch(8cm)	CSN1070
R 1298		RS1/16S0R0J
R 1299		RS1/16S0R0J

E

Unit Number : CWX3559
Unit Name : Compound Unit(B)

S 1206	Switch(CLAMP)	CSN1067
--------	---------------	---------

Miscellaneous Parts List

	Pickup Unit(Service)	CXX2118
M 1	Motor Unit(LOADING)	CXC4912
M 2	Motor(STEPPING)	CXM1364
M 3	Motor(SPINDLE)	CXM1362
U 1	Navi Unit(A,B)	CWX3642
	Navi Unit(C)	CWX3648