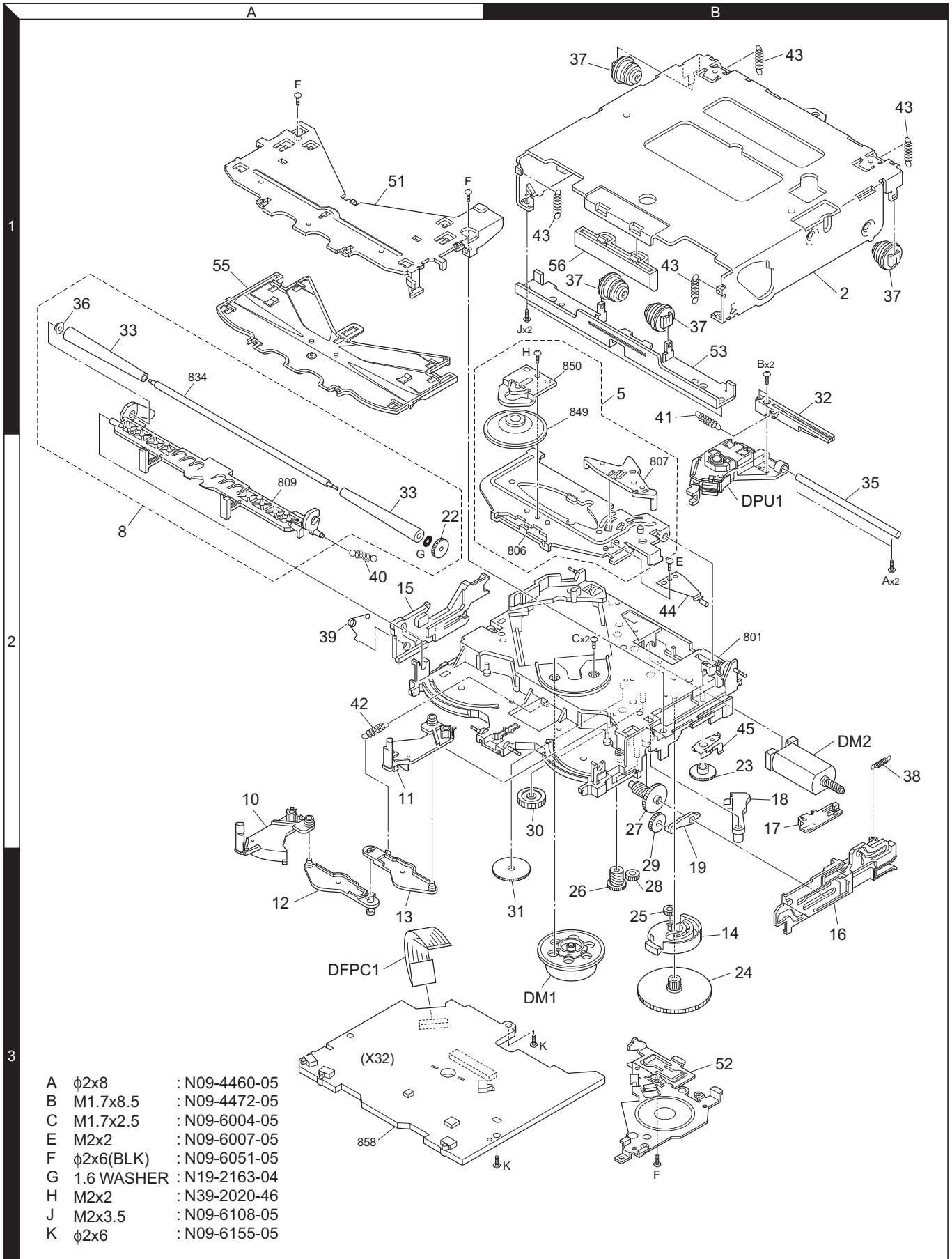


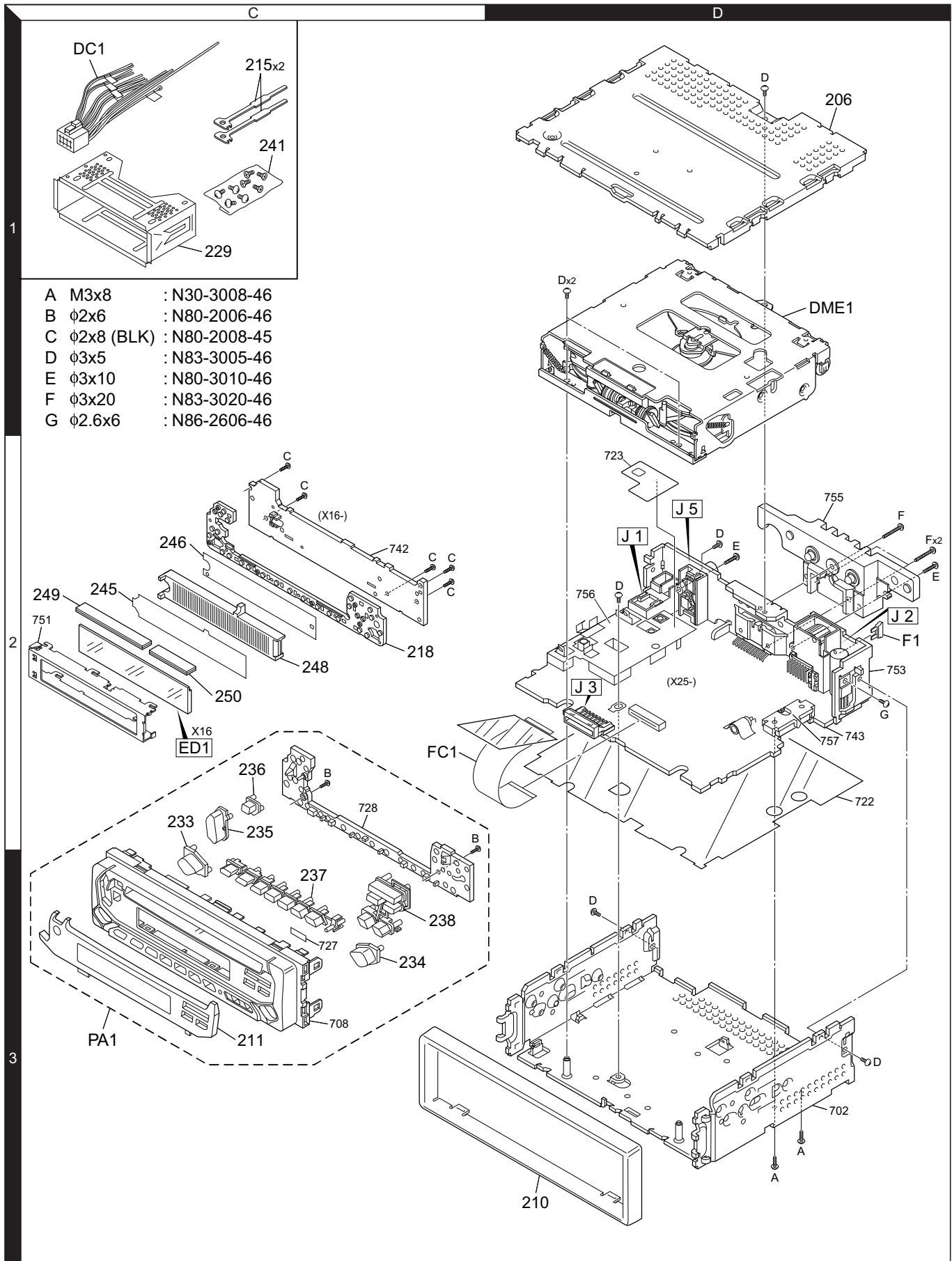
EXPLODED VIEW (MECHANISM)



Refer to the service manual X92-4030-0x (B51-7867-00) for CD mechanism operation.

KDC-1022/122P

EXPLODED VIEW (UNIT)



- | | | |
|---|------------|---------------|
| A | M3x8 | : N30-3008-46 |
| B | φ2x6 | : N80-2006-46 |
| C | φ2x8 (BLK) | : N80-2008-45 |
| D | φ3x5 | : N83-3005-46 |
| E | φ3x10 | : N80-3010-46 |
| F | φ3x20 | : N83-3020-46 |
| G | φ2.6x6 | : N86-2606-46 |

PARTS LIST

* New parts

Parts without **Parts No.** are not supplied.

Les articles non mentionnés dans le **Parts No.** ne sont pas fournis.

Teile ohne **Parts No.** werden nicht geliefert.

Ref. No.	A d d	N e w	Parts No.	Description	Desti- nation
KDC-1022/122P					
206	1D		A52-0804-02	TOP PLATE	
PA1	3C	*	A64-3135-02	PANEL ASSY	K
PA1	3C	*	A64-3136-02	PANEL ASSY	K1
-			B46-0100-50	WARRANTY CARD	
-			B58-1365-04	CAUTION CARD	
-		*	B64-2634-00	INST.MANUAL (ENG.FRE.SPA.POR.)	
210	3D		B07-3022-02	ESCUTCHEON	K1
210	3D		B07-3060-02	ESCUTCHEON	K
211	3C	*	B10-4436-01	FRONT GLASS	K
211	3C	*	B10-4437-01	FRONT GLASS	K1
215	1C		D10-4589-04	LEVER	
218	2C		E29-1872-02	CONDUCTIVE RUBBER	
△ DC1	1C		E30-4784-05	DC CORD	
FC1	2D		E39-0476-05	FLAT CABLE	
△ F1	2D		F52-0006-05	FUSE (MINI BLADE TYPE)	
-			H10-4856-12	POLYSTYRENE FOAMED FIXTURE	
-			H25-0329-04	PROTECTION BAG (280X450X0.03)	
-			H25-0337-04	PROTECTION BAG (180X300X0.03)	
-		*	H54-2947-03	ITEM CARTON CASE	K
-		*	H54-2948-03	ITEM CARTON CASE	K1
229	1C		J21-9716-03	MOUNTING HARDWARE ASSY	
233	3C		K24-3823-04	KNOB (RELEASE)	
234	3C		K24-3824-04	KNOB (SRC)	
235	3C		K24-3825-03	KNOB (AUD)	
236	2C		K24-3826-04	KNOB (VOL)	
237	3C		K25-1396-03	KNOB (EJECT)	
238	3C		K25-1397-03	KNOB (PRE1-6,ATT,RESET)	
241	1C		N99-1719-05	SCREW SET	
A	3D		N30-3008-46	PAN HEAD MACHINE SCREW	
B	3C		N80-2006-46	PAN HEAD TAPTITE SCREW	
C	2C		N80-2008-45	PAN HEAD TAPTITE SCREW	
D	1D		N83-3005-46	PAN HEAD TAPTITE SCREW	
DME1	1D		X92-4640-00	MECHANISM ASSY	
SWITCH UNIT (X16-2370-1x)					
245	2C		B11-1358-04	OPTICAL DIFFUSER	K
245	2C		B11-1372-04	OPTICAL DIFFUSER	K1
246	2C		B11-1359-04	REFLECTION SHEET	
248	2C		B19-2130-03	LIGHTING BOARD	
D1-13			B30-1567-05	LED (RED)	
D17,18			B30-1564-05	LED (BLUE)	K
D17,18			B30-1567-05	LED (RED)	K1
D19			B30-1633-05	LED (WHITE)	K
D19			B30-1641-05	LED	K1
D20			B30-1567-05	LED (RED)	
ED1			B38-1079-05	LIQUID CRYSTAL (MONO)	K
ED1		*	B38-1132-05	LIQUID CRYSTAL (POSI)	K1
C1			CK73GB1H102K	CHIP C 1000PF	K
C2,3			CK73GB1E473K	CHIP C 0.047UF	K

Ref. No.	A d d	N e w	Parts No.	Description	Desti- nation
C2,3			CK73GB1H473K	CHIP C 0.047UF	K
C4			CK73GB1H103K	CHIP C 0.010UF	K
C5			CK73FB1A225K	CHIP C 2.2UF	K
C9			CK73GB1H103K	CHIP C 0.010UF	K
249	2C		E29-1956-04	CONDUCTIVE RUBBER	
250	2C		E29-1957-04	CONDUCTIVE RUBBER	
J1			E59-0828-05	RECTANGULAR PLUG (15P)	
-			J19-5130-04	LED HOLDER	
R2-4			RK73GB2A471J	CHIP R 470 J	1/10W
R5			RK73GB2A102J	CHIP R 1.0K J	1/10W
R7			RK73GB2A472J	CHIP R 4.7K J	1/10W
R8			RK73GB2A563J	CHIP R 56K J	1/10W
R10			RK73GB2A44R7J	CHIP R 4.7 J	1/10W
R13			RK73FB2B470J	CHIP R 47 J	1/8W
R14,15			RK73FB2B331J	CHIP R 330 J	1/8W
R16-20			RK73FB2B511J	CHIP R 510 J	1/8W
R21,22			RK73FB2B221J	CHIP R 220 J	1/8W
D22			MA3062WA	ZENER DIODE	K
IC1			LC75853NE	MOS-IC	
Q1			DTA114EUA	DIGITAL TRANSISTOR	
Q1			UN5111	TRANSISTOR	
ELECTRIC UNIT (X25-9600-1x)					
C1		*	C94-0216-05	ELECTRO 3300UF	16WV
C21			CK73GB1H103K	CHIP C 0.010UF	K
C40			CK73GB1H103K	CHIP C 0.010UF	K
C50		*	C94-0045-05	ELECTRO 10UF	25WV
C52-54		*	C94-0039-05	ELECTRO 10UF	16WV
C55		*	C94-0045-05	ELECTRO 10UF	25WV
C56		*	CD04AT1H100M	ELECTRO 10UF	50WV
C57			C90-2980-05	ELECTRO 220UF	16WV
C58			C90-2962-05	ELECTRO 100UF	16WV
C63		*	C94-0040-05	ELECTRO 22UF	16WV
C101		*	C94-0033-05	ELECTRO 100UF	6.3WV
C102			CK73GB1H103K	CHIP C 0.010UF	K
C103			CK73GB1C104K	CHIP C 0.10UF	K
C104,105			CC73GCH1H150J	CHIP C 15PF	J
C106			CK73GB1H152K	CHIP C 1500PF	K
C142			CK73GB1C104K	CHIP C 0.10UF	K
C204,205		*	C94-0052-05	ELECTRO 2.2UF	50WV
C223,224		*	C94-0039-05	ELECTRO 10UF	16WV
C251-254			C90-5296-05	NP-ELECT 0.22UF	50WV
C255		*	C94-0051-05	ELECTRO 1UF	50WV
C256		*	C94-0036-05	ELECTRO 33UF	10WV
C256		*	C94-0038-05	ELECTRO 100UF	10WV
C257		*	C94-0051-05	ELECTRO 1UF	50WV
C258		*	CD04AT1H010M	ELECTRO 1UF	50WV
C502			CK73GB1H152K	CHIP C 1500PF	K
C503			CK73GB1C104K	CHIP C 0.10UF	K
C504			CK73GB1H103K	CHIP C 0.010UF	K
C505		*	C94-0057-05	ELECTRO 4.7UF	16WV
C506			CK73GB1C104K	CHIP C 0.10UF	K
C507		*	CD04AT1A330M	ELECTRO 33UF	10WV
C508		*	CD04AT1A220M	ELECTRO 22UF	10WV

K : KDC-1022 K1 : KDC-122P

△ Indicates safety critical components.

PARTS LIST

* New parts

Parts without **Parts No.** are not supplied.

Les articles non mentionnés dans le **Parts No.** ne sont pas fournis.

Teile ohne **Parts No.** werden nicht geliefert.

ELECTRIC UNIT (X25-9600-1x)

Ref. No.	A d d	N e w	Parts No.	Description	Desti- nation
C509			CC73GCH1H680J	CHIP C 68PF J	
C510			CC73GCH1H101J	CHIP C 100PF J	
C511			CK73GB1H103K	CHIP C 0.010UF K	
C512		*	C94-0057-05	ELECTRO 4.7UF 16WV	
C513,514			CK73GB1H103K	CHIP C 0.010UF K	
C515			CK73FB1C105K	CHIP C 1.0UF K	
C516			CC73GCH1H100D	CHIP C 10PF D	
C521			CK73GB1C104K	CHIP C 0.10UF K	
C522			CC73GCH1H330J	CHIP C 33PF J	
C523			CC73GCH1H270J	CHIP C 27PF J	
C524			CC73GCH1H101J	CHIP C 100PF J	
C525			CK73GB1H103K	CHIP C 0.010UF K	
C526			CC73GCH1H050C	CHIP C 5.0PF C	
C528			CC73GCH1H060D	CHIP C 6.0PF D	
C530			CC73GCH1H040C	CHIP C 4.0PF C	
C531			CK73FB1C105K	CHIP C 1.0UF K	
C533,534			CK73GB1H103K	CHIP C 0.010UF K	
C535			CC73GCH1H020C	CHIP C 2.0PF C	
C536			CC73GCH1H040C	CHIP C 4.0PF C	
C537,538			CC73GCH1H080D	CHIP C 8.0PF D	
C541			CC73GCH1H040C	CHIP C 4.0PF C	
C542			CC73GCH1H220J	CHIP C 22PF J	
C543			CC73GCH1H680J	CHIP C 68PF J	
C544			CC73GCH1H150J	CHIP C 15PF J	
C545			CK73GB1H682K	CHIP C 6800PF K	
C546			CK73GB1H103K	CHIP C 0.010UF K	
C547		*	C94-0056-05	ELECTRO 10UF 10WV	
C548			CK73GB1E223K	CHIP C 0.022UF K	
C549			CK73GB1H222K	CHIP C 2200PF K	
C550			CK73GB1E333K	CHIP C 0.033UF K	
C551,552			CK73GB1H103K	CHIP C 0.010UF K	
C553,554			CK73GB1C104K	CHIP C 0.10UF K	
C555,556			CK73GB1H102K	CHIP C 1000PF K	
C560			CC73GCH1H101J	CHIP C 100PF J	
C561		*	C94-0065-05	ELECTRO 1UF 50WV	
C562		*	C94-0056-05	ELECTRO 10UF 10WV	
C563		*	C94-0064-05	ELECTRO 0.47UF 50WV	
C564			CK73GB1A474K	CHIP C 0.47UF K	
C565		*	C94-0037-05	ELECTRO 47UF 10WV	
C568			CC73GCH1H821J	CHIP C 820PF J	
C580			CK73GB1H103K	CHIP C 0.010UF K	
C581			CC73GCH1H020C	CHIP C 2.0PF C	
C582,583			CK73GB1C104K	CHIP C 0.10UF K	
C584		*	C94-0057-05	ELECTRO 4.7UF 16WV	
C585			CK73GB1H103K	CHIP C 0.010UF K	
C586			CK73GB1C104K	CHIP C 0.10UF K	
C587			CK73GB1H103K	CHIP C 0.010UF K	
C588			CK73GB1A474K	CHIP C 0.47UF K	
C589			CK73GB1C104K	CHIP C 0.10UF K	
C591		*	CD04AT1A330M	ELECTRO 33UF 10WV	
C593			CK73FB1C105K	CHIP C 1.0UF K	
C600		*	CD04AT1A101M	ELECTRO 100UF 10WV	
CN1			E40-9550-05	FLAT CABLE CONNECTOR (22P)	
J1			E04-0312-05	RF COAXIAL CABLE RECEPTACLE	

Ref. No.	A d d	N e w	Parts No.	Description	Desti- nation
J2			E58-0863-15	RECTANGULAR RECEPTACLE (DC)	
J3			E58-0880-05	RECTANGULAR RECEPTACLE (15P)	
J5			E63-0852-05	PIN JACK (2P)	
CF51-53			L72-0781-05	CERAMIC FILTER	
CF54			L72-0743-05	CERAMIC FILTER	
L1			L33-1170-05	CHOKO COIL ASSY	
L2			L33-1807-05	CHOKO COIL	
L4			L33-1123-05	LINE FILTER COIL	
L101			L40-4795-91	SMALL FIXED INDUCTOR 4.7UH	
L501			L40-6891-58	SMALL FIXED INDUCTOR	
L502			L40-3301-58	SMALL FIXED INDUCTOR 33U	
L503			L40-1021-56	SMALL FIXED INDUCTOR 1MH	
L504			L40-1011-58	SMALL FIXED INDUCTOR	
L505			L31-0967-05	FM-RF COIL	
L506			L31-0970-05	FM-RF COIL	
L507			L32-0936-05	FM OSCILLATING COIL	
L508			L30-0770-05	FM IFT	
L509			L30-0773-05	AM IFT	
L510-517			L40-4795-91	SMALL FIXED INDUCTOR 4.7UH	
X1			L77-1167-05	CRYSTAL RESONATOR 4.19M	
X501			L77-2077-05	CRYSTAL RESONATOR	
D	2D		N83-3005-46	PAN HEAD TAPTITE SCREW	
E	2D		N80-3010-46	PAN HEAD TAPTITE SCREW	
F	2D		N83-3020-46	PAN HEAD TAPTITE SCREW	
G	2D		N86-2606-46	BINDING HEAD TAPTITE SCREW	
CP1			R90-1049-05	MULTI-COMP 10K X2	
CP2			R90-1047-05	MULTI-COMP 2.2K X2	
CP3			R90-1046-05	MULTI-COMP 1K X2	
R10			RK73FB2B303J	CHIP R 30K J 1/8W	
R11			RK73GB2A103J	CHIP R 10K J 1/10W	
R12			RK73GB2A104J	CHIP R 100K J 1/10W	
R20			RD14DB2H332J	SMALL-RD 3.3K J 1/2W	
R21			RD14BB2C333J	RD 33K J 1/6W	
R22			RK73GB2A103J	CHIP R 10K J 1/10W	
R23			RK73GB2A104J	CHIP R 100K J 1/10W	
R28			RD14BB2C472J	RD 4.7K J 1/6W	
R50			RD14BB2C562J	RD 5.6K J 1/6W	
R51			RK73GB2A473J	CHIP R 47K J 1/10W	
R57			RK73FB2B152J	CHIP R 1.5K J 1/8W	
R58			RK73GB2A471J	CHIP R 470 J 1/10W	
R68,69			RK73GB2A103J	CHIP R 10K J 1/10W	
R71			RK73GB2A823J	CHIP R 82K J 1/10W	
R72			RK73GB2A363J	CHIP R 36K J 1/10W	
R73			RK73GB2A104J	CHIP R 100K J 1/10W	
R103,104			RK73GB2A102J	CHIP R 1.0K J 1/10W	
R105			RK73GB2A471J	CHIP R 470 J 1/10W	
R106			RK73GB2A104J	CHIP R 100K J 1/10W	
R107,108			RK73GB2A222J	CHIP R 2.2K J 1/10W	
R110			RK73GB2A472J	CHIP R 4.7K J 1/10W	
R113,114			RK73GB2A473J	CHIP R 47K J 1/10W	
R115			RK73GB2A102J	CHIP R 1.0K J 1/10W	
R116			RK73GB2A103J	CHIP R 10K J 1/10W	
R117			RK73GB2A102J	CHIP R 1.0K J 1/10W	
R118			RK73GB2A103J	CHIP R 10K J 1/10W	

PARTS LIST

* New parts

Parts without **Parts No.** are not supplied.

Les articles non mentionnés dans le **Parts No.** ne sont pas fournis.

Teile ohne **Parts No.** werden nicht geliefert.

ELECTRIC UNIT (X25-9600-1x)

Ref. No.	Add	New	Parts No.	Description	Destination	Ref. No.	Add	New	Parts No.	Description	Destination
R119			RK73GB2A473J	CHIP R 47K J 1/10W		R528			RD14BB2C104J	RD 100K J 1/6W	
R121			RK73GB2A222J	CHIP R 2.2K J 1/10W		R543			RK73GB2A562J	CHIP R 5.6K J 1/10W	
R122			RK73GB2A101J	CHIP R 100 J 1/10W		R544			RK73GB2A222J	CHIP R 2.2K J 1/10W	
R123			RK73GB2A102J	CHIP R 1.0K J 1/10W		R545			RK73GB2A432J	CHIP R 4.3K J 1/10W	
R125			RK73GB2A102J	CHIP R 1.0K J 1/10W		R546			RK73GB2A333J	CHIP R 33K J 1/10W	
R126			RK73GB2A104J	CHIP R 100K J 1/10W		R547			RK73GB2A220J	CHIP R 22 J 1/10W	
R127			RK73GB2A222J	CHIP R 2.2K J 1/10W		R561			RK73GB2A272J	CHIP R 2.7K J 1/10W	
R128			RK73GB2A225J	CHIP R 2.2M J 1/10W		R563,564			RK73GB2A103J	CHIP R 10K J 1/10W	
R129,130			RK73GB2A222J	CHIP R 2.2K J 1/10W		R565			RK73GB2A104J	CHIP R 100K J 1/10W	
R131			RK73GB2A682J	CHIP R 6.8K J 1/10W		R566,567			RK73GB2A102J	CHIP R 1.0K J 1/10W	
R132			RK73GB2A222J	CHIP R 2.2K J 1/10W		R581			RK73GB2A102J	CHIP R 1.0K J 1/10W	
R133			RK73GB2A123J	CHIP R 12K J 1/10W		W156,157			R92-2053-05	CHIP R 0 J 1/8W	
R136			RK73GB2A473J	CHIP R 47K J 1/10W		W158			R92-1252-05	CHIP R 0 OHM J 1/16W	
R138,139			RK73GB2A473J	CHIP R 47K J 1/10W		W161,162			R92-2053-05	CHIP R 0 J 1/8W	
R141			RD14BB2C472J	RD 4.7K J 1/6W		W165			R92-2053-05	CHIP R 0 J 1/8W	
R143			RD14BB2C472J	RD 4.7K J 1/6W		W405,406			R92-1252-05	CHIP R 0 OHM J 1/16W	K
R144			RK73GB2A104J	CHIP R 100K J 1/10W		W409			R92-1252-05	CHIP R 0 OHM J 1/16W	K
R145			RD14BB2C222J	RD 2.2K J 1/6W		W415			R92-2053-05	CHIP R 0 J 1/8W	
R163			RD14BB2C100J	RD 10 J 1/6W		W500,501			R92-1252-05	CHIP R 0 OHM J 1/16W	
R164,165			RD14BB2C471J	RD 470 J 1/6W		W504,505			R92-1252-05	CHIP R 0 OHM J 1/16W	
R166			RD14BB2C102J	RD 1.0K J 1/6W		W506			R92-2053-05	CHIP R 0 J 1/8W	
R167			RD14BB2C101J	RD 100 J 1/6W		W507			R92-1252-05	CHIP R 0 OHM J 1/16W	
R169			RD14BB2C102J	RD 1.0K J 1/6W		W508			R92-2053-05	CHIP R 0 J 1/8W	
R172			RD14BB2C102J	RD 1.0K J 1/6W		W509			R92-1252-05	CHIP R 0 OHM J 1/16W	
R174			RK73GB2A473J	CHIP R 47K J 1/10W		W510			R92-2053-05	CHIP R 0 J 1/8W	
R201			RK73GB2A473J	CHIP R 47K J 1/10W		W511			R92-1252-05	CHIP R 0 OHM J 1/16W	
R223,224			RK73FB2B271J	CHIP R 270 J 1/8W		W516			R92-1252-05	CHIP R 0 OHM J 1/16W	
R227,228			RD14BB2C303J	RD 30K J 1/6W		W517			R92-2053-05	CHIP R 0 J 1/8W	
R231,232			RD14BB2C101J	RD 100 J 1/6W		W519			R92-2053-05	CHIP R 0 J 1/8W	
R251			RK73GB2A472J	CHIP R 4.7K J 1/10W	K1	W521			R92-1252-05	CHIP R 0 OHM J 1/16W	
R252,253			RD14BB2C472J	RD 4.7K J 1/6W	K1	W523,524			R92-1252-05	CHIP R 0 OHM J 1/16W	
R254			RK73GB2A472J	CHIP R 4.7K J 1/10W	K1	W530			R92-2053-05	CHIP R 0 J 1/8W	
R255			RK73GB2A333J	CHIP R 33K J 1/10W		W531,532			R92-1252-05	CHIP R 0 OHM J 1/16W	
R256			RK73FB2B102J	CHIP R 1.0K J 1/8W	K1	W533			R92-2053-05	CHIP R 0 J 1/8W	
R257			RK73GB2A622J	CHIP R 6.2K J 1/10W		W534			R92-1252-05	CHIP R 0 OHM J 1/16W	
R258			RK73GB2A101J	CHIP R 100 J 1/10W	K1	W601			R92-1252-05	CHIP R 0 OHM J 1/16W	
R258			RK73GB2A221J	CHIP R 220 J 1/10W	K	D1			1N5393G-M6	DIODE	
R259			RD14BB2C223J	RD 22K J 1/6W		D3			IMSA-6801	SURGE ABSORBER	
R260			RK73GB2A751J	CHIP R 750 J 1/10W	K1	D10			MA4068(N)-M	ZENER DIODE	
R261			RK73GB2A100J	CHIP R 10 J 1/10W	K	D13			D1F60	DIODE	
R261			RK73GB2A431J	CHIP R 430 J 1/10W	K1	D14			AM01Z	DIODE	
R263			RK73GB2A184J	CHIP R 180K J 1/10W	K1	D20			MA4068(N)-M	ZENER DIODE	
R263			RK73GB2A432J	CHIP R 4.3K J 1/10W	K	D40			1SS133	DIODE	
R264			RK73GB2A473J	CHIP R 47K J 1/10W		D50			DAN202U	DIODE	
R415			RK73GB2A104J	CHIP R 100K J 1/10W		D51			MA4082(N)-L	ZENER DIODE	
R501			RK73GB2A682J	CHIP R 6.8K J 1/10W		D70			MA4068(N)-M	ZENER DIODE	
R502			RK73GB2A222J	CHIP R 2.2K J 1/10W		D101			1SS133	DIODE	
R503			RK73EB2E222J	CHIP R 2.2K J 1/4W		D103			DA204U	DIODE	
R505			RK73GB2A102J	CHIP R 1.0K J 1/10W		D201,202			MA4068(N)-M	ZENER DIODE	
R506			RK73GB2A105J	CHIP R 1.0M J 1/10W		D251-253			1SS133	DIODE	
R507			RK73GB2A102J	CHIP R 1.0K J 1/10W		D261-263			AM01Z	DIODE	K
R521-524			RK73GB2A104J	CHIP R 100K J 1/10W		D264			D1F60	DIODE	K
R525			RK73GB2A821J	CHIP R 820 J 1/10W		D264			S1J	DIODE	K
R526			RK73GB2A562J	CHIP R 5.6K J 1/10W		D265,266			AM01Z	DIODE	K
R527			RK73GB2A104J	CHIP R 100K J 1/10W							

K : KDC-1022 K1 : KDC-122P

△ Indicates safety critical components.

PARTS LIST

* New parts

Parts without **Parts No.** are not supplied.

Les articles non mentionnés dans le **Parts No.** ne sont pas fournis.

Teile ohne **Parts No.** werden nicht geliefert.

ELECTRIC UNIT (X25-9600-1x)

Ref. No.	A d d	N e w	Parts No.	Description	Desti- nation
D267,268			D1F60	DIODE	K
D267,268			S1J	DIODE	K
D501			RN739F	DIODE	
D503			RN739F	DIODE	
D504-506			KV1720S	VARIABLE CAPACITANCE DIODE	
IC1			UPD780058GC501	MICROCONTROLLER IC	
IC4			TDA7386	ANALOGUE IC	K1
IC4			TDA7560	ANALOGUE IC	K
IC7			BA4911-V4	ANALOGUE IC	
IC8			HD74HC27FP	MOS-IC	
IC10			TDA7513	ANALOGUE IC	
IC11			PST3435UL	MOS-IC	
IC12			BR24C01AF-W	ROM IC	
IC12			M24C01-WMN6T	ROM IC	
IC12			S-24CS02AFJ-TB	MEMORY IC	
Q10			2SC4081	TRANSISTOR	
Q20			2SC4081	TRANSISTOR	
Q40			DTA124EUA	DIGITAL TRANSISTOR	
Q50			2SA1036K	TRANSISTOR	
Q51			UMC2N	DIGITAL TRANSISTOR	
Q55			2SD2375	TRANSISTOR	
Q70			2SC4081	TRANSISTOR	
Q223,224			DTC143TUA	DIGITAL TRANSISTOR	
Q251			DTC114YUA	DIGITAL TRANSISTOR	K1
Q501			CPH5905	TRANSISTOR	
Q502			3SK126	DUAL FET	
TH1			PTH9C42BE471Q	POSITIVE RESISTOR	
CD PLAYER UNIT (X32-5380-00)					
C1			C92-0566-05	CHIP-TAN 10UF 6.3WV	
C2			CK73FB1A225K	CHIP C 2.2UF K	
C3			CK73GB0J105K	CHIP C 1.0UF K	
C5			CC73GCH1H020C	CHIP C 2.0PF C	
C6			CC73GCH1H390J	CHIP C 39PF J	
C7			CK73GB1C104K	CHIP C 0.10UF K	
C8			CK73GB0J105K	CHIP C 1.0UF K	
C9			CK73GB1H472K	CHIP C 4700PF K	
C10			CK73GB1C333K	CHIP C 0.033UF K	
C11			CK73GB1H682K	CHIP C 6800PF K	
C12			CK73GB1H332K	CHIP C 3300PF K	
C13			CC73GCH1H271J	CHIP C 270PF J	
C14			CK73GB1H472K	CHIP C 4700PF K	
C15			CK73GB1H222K	CHIP C 2200PF K	
C16			CC73GCH1H331J	CHIP C 330PF J	
C17,18			CK73GB1C104K	CHIP C 0.10UF K	
C31-34			CK73GB1C104K	CHIP C 0.10UF K	
C36			CK73FB1A225K	CHIP C 2.2UF K	
C37-39			CK73GB1H103K	CHIP C 0.010UF K	
C40			CK73GB1H153K	CHIP C 0.015UF K	
C41			CK73GB1H102K	CHIP C 1000PF K	
C42			CK73GB1E473K	CHIP C 0.047UF K	
C43			CK73GB1H222K	CHIP C 2200PF K	
C44			CK73GB1H102K	CHIP C 1000PF K	
C45-47			CK73GB1C104K	CHIP C 0.10UF K	
C48			CK73GB1H682K	CHIP C 6800PF K	

Ref. No.	A d d	N e w	Parts No.	Description	Desti- nation
C49			CK73GB1H152K	CHIP C 1500PF K	
C50			CK73GB1H472K	CHIP C 4700PF K	
C51			CK73GB1H681K	CHIP C 680PF K	
C52			CK73GB1C104K	CHIP C 0.10UF K	
C61			CK73FB1A225K	CHIP C 2.2UF K	
C69-72			CK73GB1H222K	CHIP C 2200PF K	
C75,76			CK73GB1H682K	CHIP C 6800PF K	
C100-102			CK73GB1H102K	CHIP C 1000PF K	
CN1			E40-9536-05	FLAT CABLE CONNECTOR (16P)	
CN1			E41-0193-05	FLAT CABLE CONNECTOR (16P)	
CN2			E40-9339-05	FLAT CABLE CONNECTOR (22P)	
CN2			E41-0129-05	FLAT CABLE CONNECTOR	
X1			L78-0851-05	RESONATOR 16.93MHZ	
CP1			R90-1019-05	MULTI-COMP 100 X2	
CP2			R90-1014-05	MULTI-COMP 100 X4	
CP3			R90-0974-05	MULT R 1.8K X4	
CP4			R90-0718-05	MULTI-COMP 4.7K X4	
CP5			R90-0720-05	MULTI-COMP 100K X4	
R1			RK73GB2A910J	CHIP R 91 J 1/10W	
R2,3			RK73GB2A562J	CHIP R 5.6K J 1/10W	
R4			RK73FB2B100J	CHIP R 10 J 1/8W	
R5,6			RK73GB2A332J	CHIP R 3.3K J 1/10W	
R7			RK73GB2A362J	CHIP R 3.6K J 1/10W	
R8			RK73GB2A273J	CHIP R 27K J 1/10W	
R9			RK73GB2A392J	CHIP R 3.9K J 1/10W	
R10			RK73GB2A104J	CHIP R 100K J 1/10W	
R11			RK73GB2A333J	CHIP R 33K J 1/10W	
R12			RK73GB2A244J	CHIP R 240K J 1/10W	
R13			RK73GB2A914J	CHIP R 910K J 1/10W	
R14			RK73GB2A104J	CHIP R 100K J 1/10W	
R15			RK73GB2A472J	CHIP R 4.7K J 1/10W	
R31			RK73GB2A273J	CHIP R 27K J 1/10W	
R32			RK73GB2A103J	CHIP R 10K J 1/10W	
R33			RK73GB2A183J	CHIP R 18K J 1/10W	
R34			RK73GB2A103J	CHIP R 10K J 1/10W	
R35			RK73GB2A393J	CHIP R 39K J 1/10W	
R36			RK73GB2A103J	CHIP R 10K J 1/10W	
R37			RK73GB2A622J	CHIP R 6.2K J 1/10W	
R38			RK73GB2A224J	CHIP R 220K J 1/10W	
R39			RK73GB2A104J	CHIP R 100K J 1/10W	
R40			RK73GB2A821J	CHIP R 820 J 1/10W	
R41			RK73GB2A473J	CHIP R 47K J 1/10W	
R42			RK73GB2A472J	CHIP R 4.7K J 1/10W	
R43			RK73GB2A102J	CHIP R 1.0K J 1/10W	
R44,45			RK73GB2A103J	CHIP R 10K J 1/10W	
R46			RK73GB2A273J	CHIP R 27K J 1/10W	
R47			RK73GB2A222J	CHIP R 2.2K J 1/10W	
R48			RK73GB2A103J	CHIP R 10K J 1/10W	
R49			RK73GB2A473J	CHIP R 47K J 1/10W	
R50			RK73GB2A392J	CHIP R 3.9K J 1/10W	
R51			RK73GB2A103J	CHIP R 10K J 1/10W	
R52,53			RK73GB2A472J	CHIP R 4.7K J 1/10W	
R71			RK73GB2A133J	CHIP R 13K J 1/10W	

K : KDC-1022 K1 : KDC-122P

△ Indicates safety critical components.

PARTS LIST

* New parts

Parts without **Parts No.** are not supplied.

Les articles non mentionnés dans le **Parts No.** ne sont pas fournis.

Teile ohne **Parts No.** werden nicht geliefert.

CD PLAYER UNIT (X32-5380-00)

Ref. No.	A d d	N e w	Parts No.	Description	Desti- nation	Ref. No.	A d d	N e w	Parts No.	Description	Desti- nation
R72			RK73FB2B201J	CHIP R 200 J 1/8W		39	2A		G01-3073-04	TORSION COIL SPRING	
R81,82			RK73FB2B331J	CHIP R 330 J 1/8W		40	2A		G01-3074-04	EXTENSION SPRING	
R85,86			RK73FB2B331J	CHIP R 330 J 1/8W		41	1B		G01-3075-04	EXTENSION SPRING	
R87,88			RK73FB2B101J	CHIP R 100 J 1/8W		42	2A		G01-3076-04	EXTENSION SPRING	
R93			RK73GB2A104J	CHIP R 100K J 1/10W		43	1B		G01-3077-04	EXTENSION SPRING	
R100			RK73GB2A100J	CHIP R 10 J 1/10W		44	2B		G02-1399-04	FLAT SPRING	
S1,2			S68-0863-05	PUSH SWITCH		45	2B		G02-1408-04	FLAT SPRING	
S3			S68-0862-05	PUSH SWITCH		51	1A		J21-9676-22	MOUNTING HARDWARE	
D1			DAN202U	DIODE		52	3B	*	J21-9677-12	MOUNTING HARDWARE	
D1			MA142WK	DIODE		53	1B	*	J21-9678-13	MOUNTING HARDWARE	
D2			MA8051-L	ZENER DIODE		55	1A		J90-1001-11	GUIDE	
D3			DA204U	DIODE		56	1B		J90-1023-03	GUIDE	
IC1			AN22002AA	ANALOGUE IC		A	2B		N09-4460-05	TAPTITE SCREW (OVAL P TAPTIT)	
IC2			MN6627771KP	MOS-IC		B	1B		N09-4472-05	MACHINE SCREW (M1.7X8.5)	
IC3			BA5824FP	ANALOGUE IC		C	2B		N09-6004-05	MACHINE SCREW (M1.7X2.5 IB-L)	
Q1			MCH6101	TRANSISTOR		E	2B		N09-6007-05	MACHINE SCREW (PAN M2X2)	
Q2			2SA1362(Y)	TRANSISTOR		F	1A		N09-6051-05	TAPTITE SCREW (BIND P 2X5)	
Q3			DTC124EUA	DIGITAL TRANSISTOR		G	2A		N19-2163-04	FLAT WASHER	
Q3			UN5212	TRANSISTOR		H	1B		N39-2020-46	PAN HEAD MACHIN SCREW	
Q4			DTA143XUA	DIGITAL TRANSISTOR		J	1B		N09-6108-05	MACHINE SCREW (M2*3.5TYPE3)	
Q5			2SC4081	TRANSISTOR		K	3B	*	N09-6155-05	SEMS (TAPTITE SCREW) (PT2X6)	
Q6			2SA1576A	TRANSISTOR		DM1	3B		T42-1066-04	DC MOTOR ASSY (SP)	
CD MECHANISM ASSY (X92-4640-00)						DM2	2B		T42-1067-04	DC MOTOR ASSY (LO)	
2	1B		A10-4827-12	CHASSIS		DPU1	2B		X93-2010-00	OPTICAL PICKUP ASSY	
5	1B		D10-4576-53	ARM ASSY							
8	2A		D10-4579-13	LEVER ASSY							
10	2A		D10-4581-13	ARM							
11	2A		D10-4582-13	ARM							
12	3A		D10-4583-03	ARM							
13	3A		D10-4584-03	ARM							
14	3B		D10-4585-03	ARM							
15	2A		D10-4586-13	SLIDER							
16	3B		D10-4587-32	SLIDER							
17	2B		D10-4588-13	SLIDER							
18	2B		D10-4595-04	ARM							
19	3B		D10-4596-14	ARM							
22	2A		D13-2151-04	GEAR							
23	2B		D13-2152-04	GEAR							
24	3B		D13-2153-04	GEAR							
25	3B		D13-2154-04	GEAR							
26	3B		D13-2155-04	WORM							
27	2B		D13-2156-14	GEAR							
28	3B		D13-2157-04	GEAR							
29	3B		D13-2158-04	GEAR							
30	2B		D13-2168-04	GEAR							
31	3B		D13-2171-04	GEAR							
32	2B		D13-2172-03	RACK (GEAR)							
33	2A		D14-0759-04	ROLLER							
35	2B		D21-2382-04	SHAFT							
36	1A		D23-0954-04	RETAINER							
37	1B		D39-0246-05	DAMPER							
38	2B		G01-3072-04	EXTENSION SPRING							

K : KDC-1022 K1 : KDC-122P

△ Indicates safety critical components.