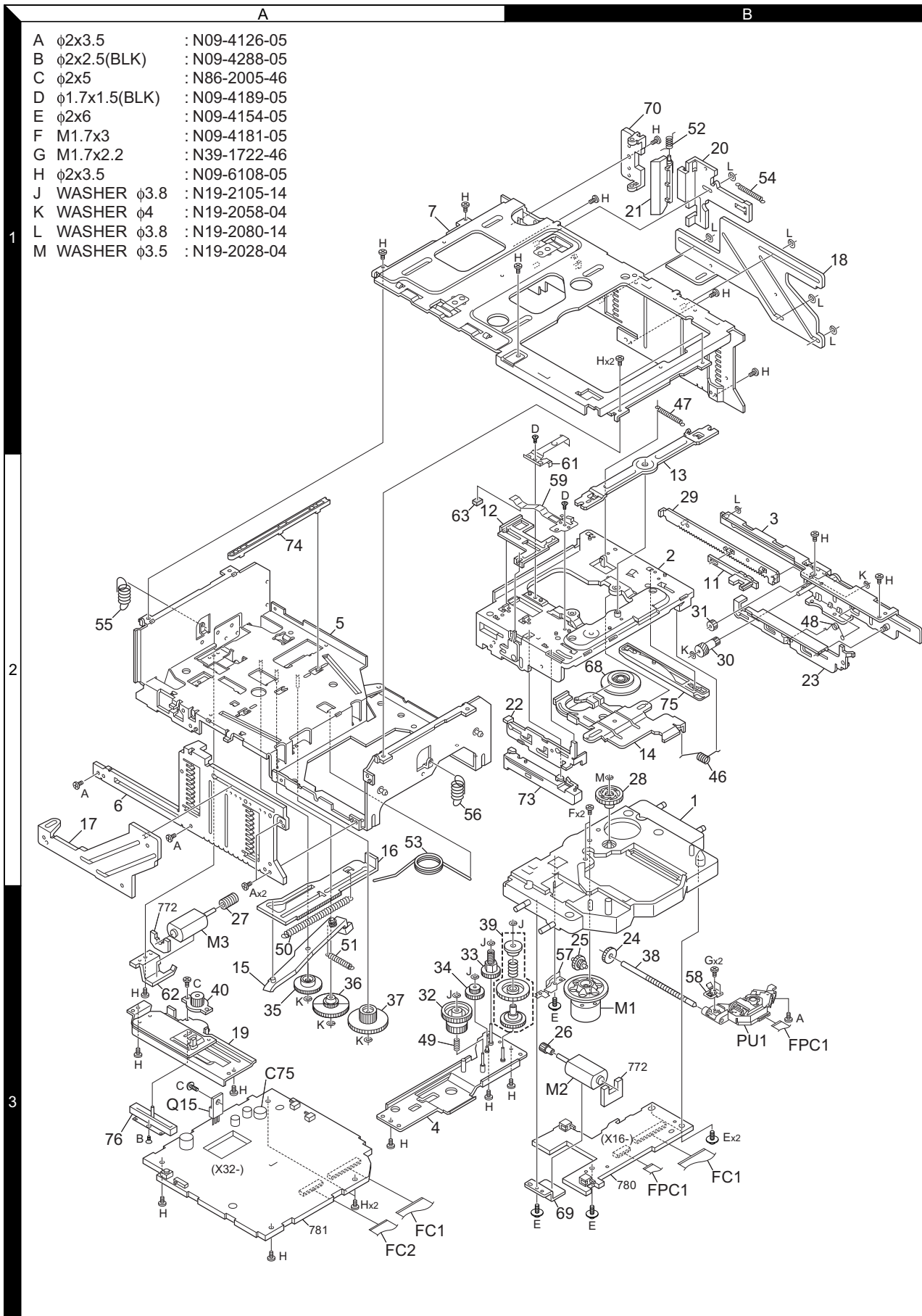


KDC-C471FM/C521FM

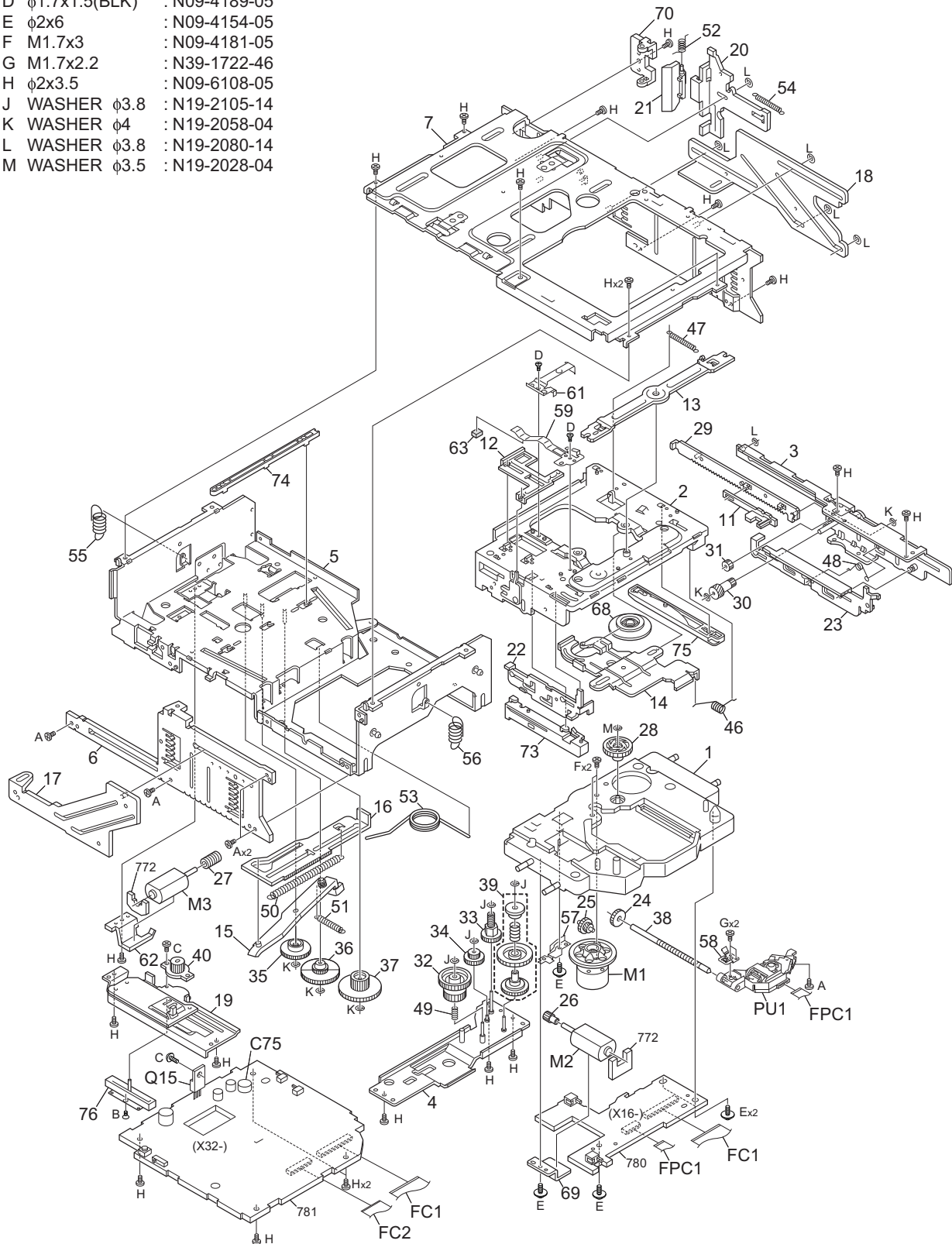
EXPLODED VIEW (KDC-C521FM MECHANISM)

A	φ2x3.5	: N09-4126-05
B	φ2x2.5(BLK)	: N09-4288-05
C	φ2x5	: N86-2005-46
D	φ1.7x1.5(BLK)	: N09-4189-05
E	φ2x6	: N09-4154-05
F	M1.7x3	: N09-4181-05
G	M1.7x2.2	: N39-1722-46
H	φ2x3.5	: N09-6108-05
J	WASHER φ3.8	: N19-2105-14
K	WASHER φ4	: N19-2058-04
L	WASHER φ3.8	: N19-2080-14
M	WASHER φ3.5	: N19-2028-04



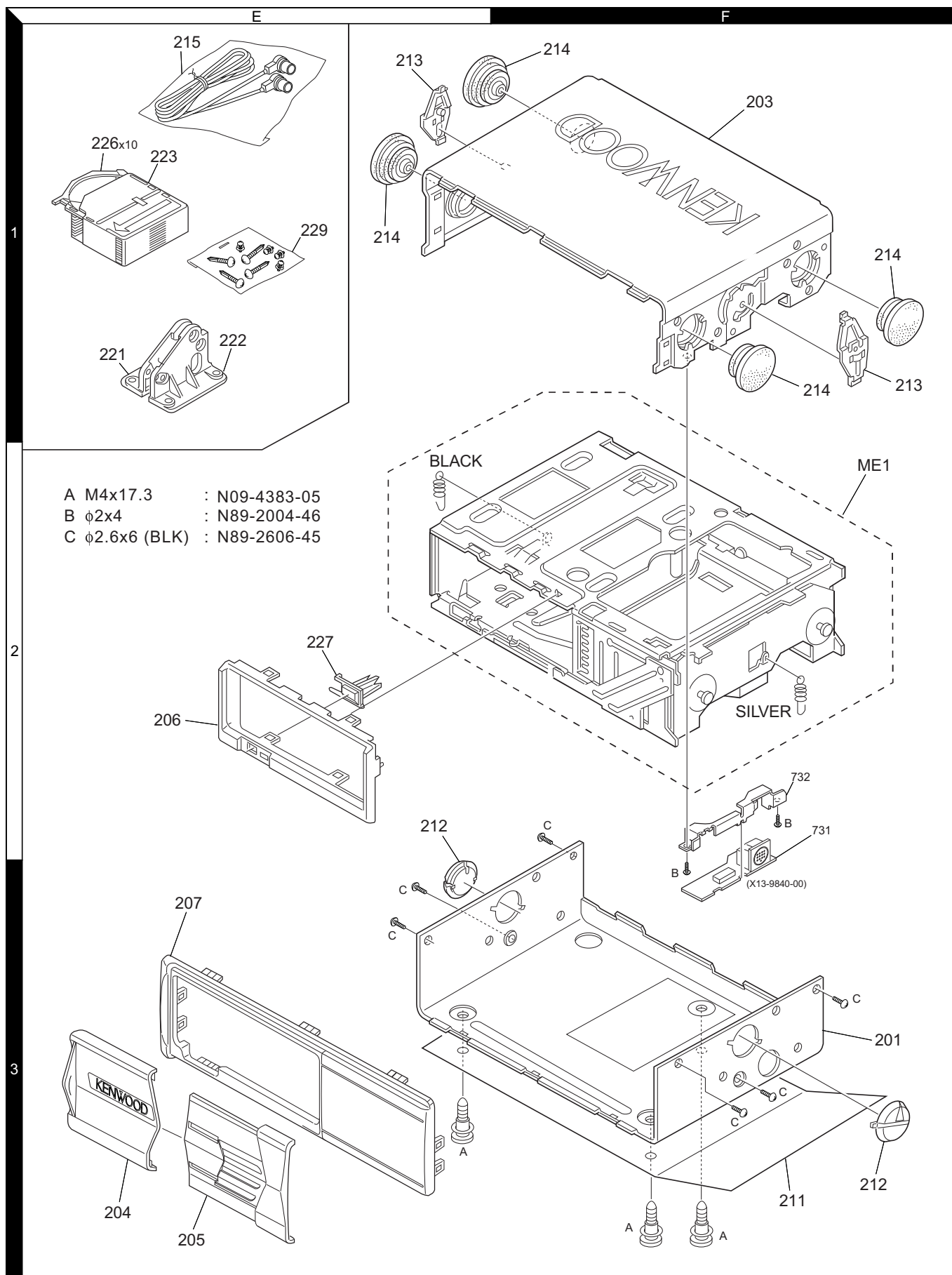
EXPLODED VIEW (KDC-C471FM MECHANISM)

- | | | |
|---|---------------|---------------|
| A | φ2x3.5 | : N09-4126-05 |
| B | φ2x2.5(BLK) | : N09-4288-05 |
| C | φ2x5 | : N86-2005-46 |
| D | φ1.7x1.5(BLK) | : N09-4189-05 |
| E | φ2x6 | : N09-4154-05 |
| F | M1.7x3 | : N09-4181-05 |
| G | M1.7x2.2 | : N39-1722-46 |
| H | φ2x3.5 | : N09-6108-05 |
| J | WASHER φ3.8 | : N19-2105-14 |
| K | WASHER φ4 | : N19-2058-04 |
| L | WASHER φ3.8 | : N19-2080-14 |
| M | WASHER φ3.5 | : N19-2028-04 |

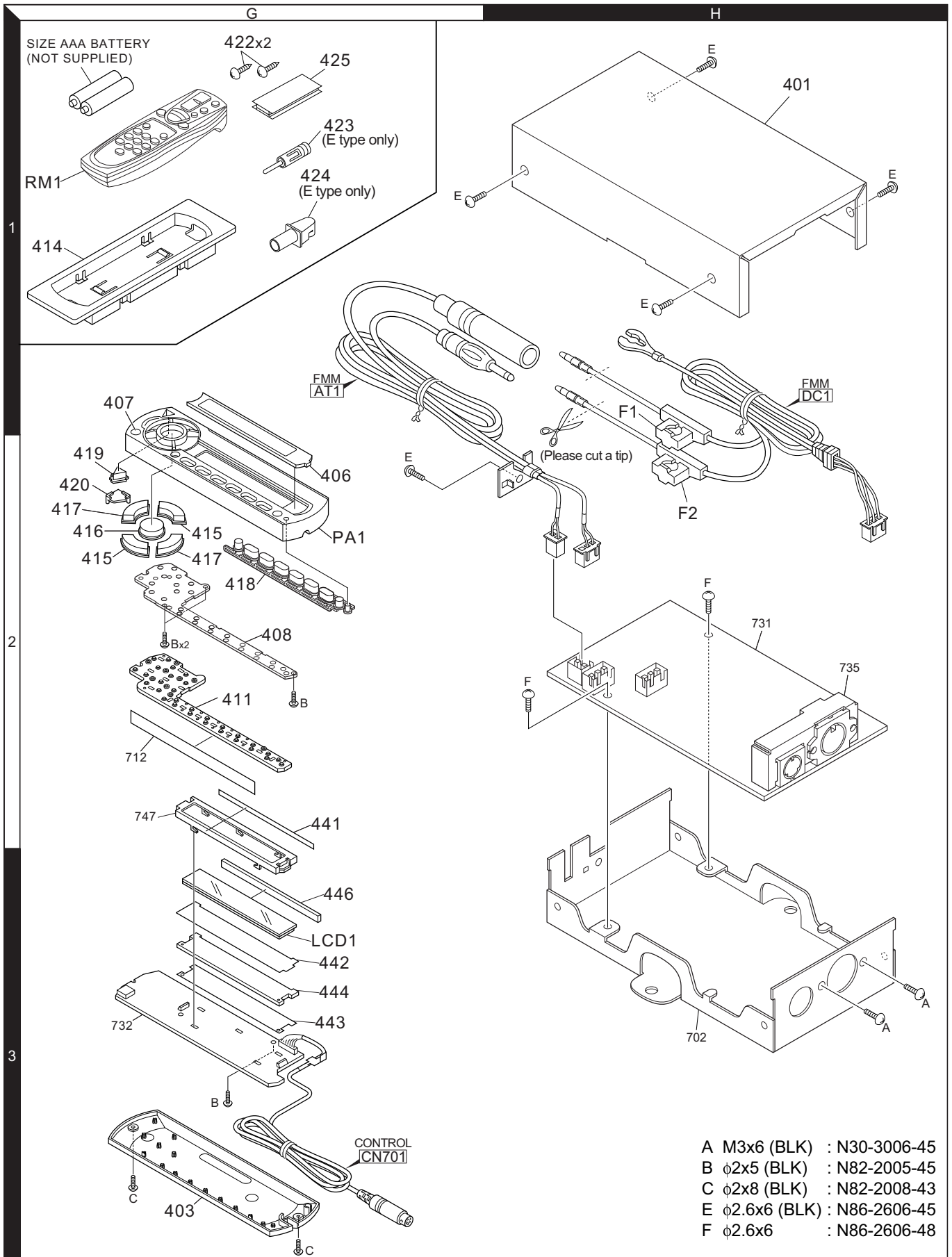


Parts with the exploded numbers larger than 700 are not supplied.

EXPLODED VIEW (UNIT)



EXPLODED VIEW (FM MODULATOR, CONTROL UNIT)



Parts with the exploded numbers larger than 700 are not supplied.

KDC-C471FM/C521FM

PARTS LIST

* New parts

Parts without **Parts No.** are not supplied.

Les articles non mentionnés dans le **Parts No.** ne sont pas fournis.

Teile ohne **Parts No.** werden nicht geliefert.

Ref. No.	A d d	N e w	Parts No.	Description	Desti- nation
KDC-C471FM/C521FM					
201	3F		A10-4735-01	CHASSIS	M1
201	3F		A10-4736-01	CHASSIS	E1
201	3F		A10-4837-01	CHASSIS	K
201	3F		A10-4838-01	CHASSIS	K1
201	3F		A10-4875-01	CHASSIS	K1
201	3F		A10-4876-01	CHASSIS	K
203	1F		A01-2726-11	METALLIC CABINET	M1
203	1F		A01-2727-11	METALLIC CABINET	E1
203	1F		A01-2744-11	METALLIC CABINET	K
203	1F		A01-2745-11	METALLIC CABINET	K1
203	1F		A01-2767-01	METALLIC CABINET	K1
203	1F	*	A01-2768-01	METALLIC CABINET	K
204	3E		A21-3530-12	DRESSING PANEL	E1
204	3E		A21-4047-12	DRESSING PANEL	M1
204	3E		A21-4080-02	DRESSING PANEL	K
204	3E		A21-4082-02	DRESSING PANEL	K1
205	3E		A21-3532-12	DRESSING PANEL	E1
205	3E		A21-4048-12	DRESSING PANEL	M1
205	3E		A21-4081-02	DRESSING PANEL	K
205	3E		A21-4083-02	DRESSING PANEL	K1
206	2E	*	A22-2997-02	SUB PANEL	K1M1
206	2E	*	A22-3001-02	SUB PANEL	KE1
207	3E	*	A64-3355-01	PANEL	K
207	3E	*	A64-3356-01	PANEL	E1
207	3E	*	A64-3359-01	PANEL	M1
207	3E	*	A64-3360-01	PANEL	K1
-			B46-0100-50	WARRANTY CARD	
-			B46-0182-14	ID CARD	E1
-			B58-1236-04	CAUTION CARD	
-			B58-1411-04	CAUTION CARD	E1
-		*	B64-2786-00	INST.MANUAL (GER.DUT.ITA.POR.)	E1
-		*	B64-2788-00	INSTRUCT.MANUAL (ENG.FRE.SPA.)	KE1K1
-		*	B64-2789-00	INSTRUCTION MANUAL (ENG.F-CHI.)	M1
-		*	B64-2790-00	INSTRUCTION MANUAL (ARABIC)	M1
211	3F		B58-1275-04	CAUTION CARD	
212	3F		D10-4515-03	ARM	
213	1E		D10-4516-04	LEVER	
214	1E		D39-0242-05	DAMPER	
215	1E		E30-4711-05	CORD WITH PLUG	
-			H02-0827-03	INNER CARTON CASE	K1M1
-			H02-0828-03	INNER CARTON CASE	KE1
-			H10-4729-02	POLYSTYRENE FOAMED FIXTURE	K1M1
-			H10-4730-02	POLYSTYRENE FOAMED FIXTURE	KE1
-			H13-1706-04	CARTON BOARD	K1M1
-			H25-0337-04	PROTECTION BAG (180X300X0.03)	
-			H25-1111-04	PROTECTION BAG (280X450X0.03)	E1M1
-			H25-1115-04	PROTECTION BAG	KK1
-		*	H54-3144-04	ITEM CARTON CASE	KE1
-		*	H54-3145-04	ITEM CARTON CASE	K1
-		*	H54-3146-04	ITEM CARTON CASE	M1

Ref. No.	A d d	N e w	Parts No.	Description	Desti- nation
221	1E		J19-5018-03	BRACKET	K1M1
221	1E		J19-5020-03	BRACKET	KE1
222	1E		J19-5019-03	BRACKET	K1M1
222	1E		J19-5021-03	BRACKET	KE1
223	1E		J19-5146-02	HOLDER ASSY	K1M1
223	1E		J19-5149-02	HOLDER ASSY	KE1
226	1E		J99-0614-01	TRAY	
227	2E		K24-4055-04	KNOB (EJECT)	
229	1E		N99-1645-15	SCREW SET	
A	3F		N09-4383-05	STEPPED SCREW	
B	2F		N89-2004-46	BINDING HEAD TAPTITE SCREW	
C	3F		N89-2606-45	BINDING HEAD TAPTITE SCREW	
ME1	2F		X92-4760-01	CD-CH MECHANISM ASSY (10-DISC)	K1M1
ME1	2F		X92-4770-01	CD-CH MECHANISM ASSY (6-DISC)	KE1
SUB-CIRCUIT UNIT (X13-9840-00)					
CN1			E40-9555-05	FLAT CABLE CONNECTOR	
J1			E56-0825-05	CYLINDRICAL RECEPTACLE	
SUB-CIRCUIT UNIT (X16-1010-00)					
CN1			E40-9487-05	FLAT CABLE CONNECTOR	
CN2			E40-9536-05	FLAT CABLE CONNECTOR	
W1,2			R92-2053-05	CHIP R 0 J 1/8W	
S1,2			S74-0811-05	MICRO SWITCH	
CD PLAYER UNIT (X32-5470-01)					
C2			C92-0628-05	CHIP-TAN 10UF 10WV	
C3			CK73GB1H682K	CHIP C 6800PF K	
C4			CK73GB1H152K	CHIP C 1500PF J	
C5			CC73GCH1H470J	CHIP C 47PF J	
C6			CC73GCH1H680J	CHIP C 68PF J	
C7			CC73GCH1H040C	CHIP C 4.0PF C	
C8			CC73GCH1H180J	CHIP C 18PF J	
C9			CK73GB1A224K	CHIP C 0.22UF K	
C10			CK73GB1H222K	CHIP C 2200PF K	
C11			CK73GB1H682K	CHIP C 6800PF K	
C12,13			CK73GB1H103K	CHIP C 0.010UF K	
C14-16			CK73GB1C104K	CHIP C 0.10UF K	
C17			CK73FB1A225K	CHIP C 2.2UF K	
C19			CK73FB1A225K	CHIP C 2.2UF K	
C21			CK73GB1H681K	CHIP C 680PF K	
C23			CK73EB1A475K	CHIP C 4.7UF K	
C24			CK73GB1H102K	CHIP C 1000PF K	
C34			C92-0628-05	CHIP-TAN 10UF 10WV	
C46,47			C92-1393-05	ELECTRO 10UF 16WV	
C48,49			CK73GB1H681K	CHIP C 680PF K	
C52			CK73EB1A475K	CHIP C 4.7UF K	
C55			C92-0628-05	CHIP-TAN 10UF 10WV	
C56			CK73EB1A475K	CHIP C 4.7UF K	
C59			C92-1390-05	ELECTRO 100UF 6.3WV	
C60			CK73EB1A475K	CHIP C 4.7UF K	
C61			CK73GB1C104K	CHIP C 0.10UF K	
C62			C92-1392-05	ELECTRO 100UF 10WV	
C63			CK73EB1A475K	CHIP C 4.7UF K	

E1 : KDC-C471FM K : KDC-C471FM K1 : KDC-C521FM M1 : KDC-C521FM

(E : Europe K : North America M : Other Areas)

△ Indicates safety critical components.

PARTS LIST

* New parts

Parts without **Parts No.** are not supplied.

Les articles non mentionnés dans le **Parts No.** ne sont pas fournis.

Teile ohne **Parts No.** werden nicht geliefert.

CD PLAYER UNIT (X32-5470-01)

Ref. No.	Add	New	Parts No.	Description	Destination	Ref. No.	Add	New	Parts No.	Description	Destination
C64			C92-1388-05	ELECTRO 470UF 16WV		R80			RK73GB2A102J	CHIP R 1.0K J 1/10W	
C67-69			CK73GB1C104K	CHIP C 0.10UF K		R81			RK73GB2A103J	CHIP R 10K J 1/10W	
C70			CC73GCH1H101J	CHIP C 100PF J		R82-84			RK73GB2A102J	CHIP R 1.0K J 1/10W	
C71,72			CK73FB1A225K	CHIP C 2.2UF K		R85-87			RK73GB2A104J	CHIP R 100K J 1/10W	
C85			CK73FB1A225K	CHIP C 2.2UF K		R93			RK73GB2A224J	CHIP R 220K J 1/10W	
C192			CK73GB1H681K	CHIP C 680PF K		R95,96			RK73GB2A104J	CHIP R 100K J 1/10W	
C200-206			CK73GB1C104K	CHIP C 0.10UF K		R97,98			RK73GB2A103J	CHIP R 10K J 1/10W	
C300			C92-0712-05	CHIP-TAN 22UF 6.3WV		R99			RK73GB2A104J	CHIP R 100K J 1/10W	
C301			CK73GB1C104K	CHIP C 0.10UF K		R100,101			RK73GB2A102J	CHIP R 1.0K J 1/10W	
CN1			E40-9338-05	FLAT CABLE CONNECTOR		R102			RK73GB2A104J	CHIP R 100K J 1/10W	
CN2			E40-9404-05	FLAT CABLE CONNECTOR		R105,106			RK73GB2A102J	CHIP R 1.0K J 1/10W	
L2			L92-0322-05	CHIP FERRITE		R107			RK73GB2A101J	CHIP R 100 J 1/10W	
X1			L78-0596-05	RESONATOR		R108			RK73GB2A104J	CHIP R 100K J 1/10W	
X2			L78-0568-05	RESONATOR		R110,111			RK73GB2A104J	CHIP R 100K J 1/10W	
CP1			R90-0720-05	MULTI-COMP 100K X4		R114			RK73GB2A103J	CHIP R 10K J 1/10W	
CP3			R90-0720-05	MULTI-COMP 100K X4		R120			RK73GB2A393J	CHIP R 39K J 1/10W	
CP5,6			R90-1014-05	MULTI-COMP 100 X4		R121			RK73GB2A103J	CHIP R 10K J 1/10W	
CP7,8			R90-0720-05	MULTI-COMP 100K X4		R122,123			RK73GB2A102J	CHIP R 1.0K J 1/10W	
CP9			R90-0725-05	MULTI-COMP 1K X2		R124			RK73GB2A223J	CHIP R 22K J 1/10W	
CP12			R90-1014-05	MULTI-COMP 100 X4		R127			RK73GB2A104J	CHIP R 100K J 1/10W	
CP14,15			R90-0720-05	MULTI-COMP 100K X4		R129			RK73GB2A102J	CHIP R 1.0K J 1/10W	
CP16			R90-0724-05	MULTI-COMP 1K X4		R133,134			RK73GB2A104J	CHIP R 100K J 1/10W	
CP17			R90-0720-05	MULTI-COMP 100K X4		R135-138			RK73GB2A101J	CHIP R 100 J 1/10W	
R4			RK73GB2A391J	CHIP R 390 J 1/10W		R139-143			RK73GB2A104J	CHIP R 100K J 1/10W	
R5			RK73GB2A302J	CHIP R 3.0K J 1/10W		R148,149			RK73GB2A101J	CHIP R 100 J 1/10W	
R7			RK73GB2A302J	CHIP R 3.0K J 1/10W		R150			RK73GB2A102J	CHIP R 1.0K J 1/10W	
R8			RK73EB2E100J	CHIP R 10 J 1/4W		R152			RK73GB2A913J	CHIP R 91K J 1/10W	
R9			RK73GB2A102J	CHIP R 1.0K J 1/10W		R153,154			RK73GB2A472J	CHIP R 4.7K J 1/10W	
R10			RK73GB2A104J	CHIP R 100K J 1/10W		R155,156			RK73GB2A101J	CHIP R 100 J 1/10W	
R11-14			RK73GB2A103J	CHIP R 10K J 1/10W		R157			RK73GB2A102J	CHIP R 1.0K J 1/10W	
R15			RK73GB2A104J	CHIP R 100K J 1/10W		R161			RK73GB2A163J	CHIP R 16K J 1/10W	
R16			RK73GB2A562J	CHIP R 5.6K J 1/10W		R162			RK73GB2A472J	CHIP R 4.7K J 1/10W	
R17			RK73EB2E103J	CHIP R 10K J 1/4W		R190			RK73GB2A223J	CHIP R 22K J 1/10W	
R18			RK73GB2A103J	CHIP R 10K J 1/10W		R191			RK73GB2A123J	CHIP R 12K J 1/10W	
R19			RK73GB2A333J	CHIP R 33K J 1/10W		R205			RK73EB2E102J	CHIP R 1.0K J 1/4W	
R20			RK73GB2A104J	CHIP R 100K J 1/10W		R206			RK73GB2A102J	CHIP R 1.0K J 1/10W	
R21			RK73GB2A123J	CHIP R 12K J 1/10W		W2			R92-1252-05	CHIP R 0 OHM J 1/16W	
R22			RK73GB2A183J	CHIP R 18K J 1/10W		W3			R92-2053-05	CHIP R 0 J 1/8W	
R25			RK73GB2A113J	CHIP R 11K J 1/10W		W5-7			R92-1252-05	CHIP R 0 OHM J 1/16W	
R26			RK73EB2E123J	CHIP R 12K J 1/4W		S1			S68-0823-05	PUSH SWITCH	
R53,54			RK73GB2A681J	CHIP R 680 J 1/10W		S2			S70-0838-05	TACT SWITCH	
R57,58			RK73GB2A223J	CHIP R 22K J 1/10W		S3			S68-0823-05	PUSH SWITCH	
R59			RK73GB2A914J	CHIP R 910K J 1/10W		D1			DAP202K	DIODE	
R60,61			RK73EB2E101J	CHIP R 100 J 1/4W		D3,4			MA3056-M	ZENER DIODE	
R67			RK73GB2A124J	CHIP R 120K J 1/10W		D5			MA8075-M	ZENER DIODE	
R68			RK73EB2E124J	CHIP R 120K J 1/4W		D7			MA3056-M	ZENER DIODE	
R69,70			RK73GB2A303J	CHIP R 30K J 1/10W		D8			MA8062-M	ZENER DIODE	
R71			RK73GB2A912J	CHIP R 9.1K J 1/10W		D9,10			M1F60	DIODE	
R72,73			RK73GB2A101J	CHIP R 100 J 1/10W		D11			1SR154-400	DIODE	
R74,75			RK73GB2A223J	CHIP R 22K J 1/10W		D12			DA204U	DIODE	
R76			RK73GB2A104J	CHIP R 100K J 1/10W		D14			MA8091-M	ZENER DIODE	
R77			RK73GB2A183J	CHIP R 18K J 1/10W		D15			DAP202K	DIODE	
R78			RK73GB2A104J	CHIP R 100K J 1/10W		D16			DAP202U	DIODE	
R79			RK73GB2A332J	CHIP R 3.3K J 1/10W		D21,22			DAN202K	DIODE	

E1 : KDC-C471FM K : KDC-C471FM K1 : KDC-C521FM M1 : KDC-C521FM
 (E : Europe K : North America M : Other Areas)

△ Indicates safety critical components.

PARTS LIST

* New parts

Parts without **Parts No.** are not supplied.

Les articles non mentionnés dans le **Parts No.** ne sont pas fournis.

Teile ohne **Parts No.** werden nicht geliefert.

CD PLAYER UNIT (X32-5470-01)

Ref. No.	A d d	N e w	Parts No.	Description	Desti- nation
D23,24			DAN202U	DIODE	
IC1			UPD63711AGC	MOS-IC	
IC4			KIA78L05F	ANALOGUE IC	
IC5			LA6576	ANALOGUE IC	
IC7			784214AGC-165	MICROCONTROLLER IC	
IC8			BR24C02F-W	ROM IC	
IC8			CAT24WC02JI	ROM IC	
IC8			M24C02-WMN6T	MEMORY IC	
IC8			S-24C02BFJA	MEMORY IC	
IC8			24LC02BT-ISN	MEMORY IC	
IC9			S-80830CNNB	MOS-IC	
Q1			MCH6101	TRANSISTOR	
Q4			DTA124EK	DIGITAL TRANSISTOR	
Q5			DTA124EUA	DIGITAL TRANSISTOR	
Q6,7			DTC343TK	DIGITAL TRANSISTOR	
Q8			DTA124EK	DIGITAL TRANSISTOR	
Q9			2SB1202	TRANSISTOR	
Q10			2SB1295	TRANSISTOR	
Q11			DTC124EK	DIGITAL TRANSISTOR	
Q13			DTC124EUA	DIGITAL TRANSISTOR	
Q14			DTA143EUA	DIGITAL TRANSISTOR	
Q16			2SC4081	TRANSISTOR	
Q17			DTA143EK	DIGITAL TRANSISTOR	
Q18,19			DTC124EUA	DIGITAL TRANSISTOR	
Q20			DTC124EK	DIGITAL TRANSISTOR	
Q21			2SB1202	TRANSISTOR	
Q22			2SC4081	TRANSISTOR	
Q30			DTC114YUA	DIGITAL TRANSISTOR	
Q31			DTC124EUA	DIGITAL TRANSISTOR	
TH1			NTH5G20B333K07	THERMISTOR	

Ref. No.	A d d	N e w	Parts No.	Description	Desti- nation
27			D13-2188-04	WORM	K1M1
28			D13-2092-04	GEAR	K1M1
29			D13-2093-04	GEAR ASSY	K1M1
30			D13-2095-04	GEAR	K1M1
31			D13-2096-04	GEAR	K1M1
32			D13-2099-04	GEAR	K1M1
33			D13-2100-04	GEAR	K1M1
34			D13-2101-04	GEAR	K1M1
35			D13-2102-04	GEAR	K1M1
36			D13-2103-04	GEAR	K1M1
37			D13-2104-04	GEAR	K1M1
38			D19-0636-04	LEAD SCREW	K1M1
39			D19-0637-04	CLUTCH ASSY	K1M1
40			D39-0225-05	DAMPER	K1M1
FC1			E39-0172-15	FLAT CABLE	K1M1
FC2			E39-0173-25	FLAT CABLE	K1M1
46			G01-3036-04	TORSION COIL SPRING	K1M1
47			G01-3037-04	EXTENSION SPRING	K1M1
48			G01-3038-04	TORSION COIL SPRING	K1M1
49			G01-3039-04	COMPRESSION SPRING	K1M1
50			G01-3040-04	EXTENSION SPRING	K1M1
51			G01-3041-04	EXTENSION SPRING	K1M1
52			G01-3042-04	TORSION COIL SPRING	K1M1
53			G01-3043-04	TORSION COIL SPRING	K1M1
54			G01-3044-04	EXTENSION SPRING	K1M1
55			G01-3045-04	EXTENSION SPRING	K1M1
56			G01-3046-04	EXTENSION SPRING	K1M1
57			G02-1374-04	FLAT SPRING	K1M1
58			G02-1375-03	FLAT SPRING	K1M1
59			G02-1376-03	FLAT SPRING	K1M1
61			G02-1378-14	FLAT SPRING	K1M1
62			G02-1380-04	FLAT SPRING	K1M1
63			G10-1045-14	FELT	K1M1
68			J11-0637-03	CLAMPER	K1M1
69			J21-9592-04	MOUNTING HARDWARE	K1M1
70			J21-9595-03	MOUNTING HARDWARE	K1M1
73			J90-0759-03	GUIDE	K1M1
74			J90-0992-03	RAIL	K1M1
75			J90-0990-03	GUIDE	K1M1
FPC1			J84-0141-05	FLEXIBLE PRINTED WIRING BOARD	K1M1
A			N09-4126-05	MACHINE SCREW (2X3.5)	K1M1
B			N09-4288-05	TAPTITE SCREW (2X2.5)	K1M1
C			N86-2005-46	BINDING HEAD TAPTITE SCREW	K1M1
D			N09-4189-05	TAPTITE SCREW (1.7X1.5)	K1M1
E			N09-4154-05	TAPTITE SCREW	K1M1
F			N09-4181-05	MACHINE SCREW (M1.7X3)	K1M1
G			N39-1722-46	PAN HEAD MACHINE SCREW	K1M1
H			N09-6108-05	MACHINE SCREW (M2*3.5)	K1M1
J			N19-2105-14	FLAT WASHER	K1M1
K			N19-2058-04	FLAT WASHER	K1M1
L			N19-2080-14	FLAT WASHER	K1M1
M			N19-2028-04	FLAT WASHER	K1M1

CD-CH MECHANISM ASSY (X92-4760-01) for KDC-C521FM

1	2B		A10-4745-13	CHASSIS ASSY	K1M1
2	2B		A10-4748-02	CHASSIS CALKING ASSY	K1M1
3	2B		A10-4751-03	CHASSIS CALKING ASSY	K1M1
4	3A		A10-4754-04	CHASSIS CALKING ASSY	K1M1
5	2A		A10-4757-12	CHASSIS CALKING ASSY	K1M1
6	2A		A10-4759-02	CHASSIS	K1M1
7	1A		A10-4760-02	CHASSIS CALKING ASSY	K1M1
11	2B		D10-4546-03	ARM	K1M1
12	2A		D10-4527-03	SLIDER	K1M1
13	2B		D10-4528-03	ARM	K1M1
14	2B		D10-4529-03	LEVER	K1M1
15	3A		D10-4531-04	LEVER ASSY	K1M1
16	2A		D10-4533-03	LEVER	K1M1
17	2A		D10-4534-04	SLIDER ASSY	K1M1
18	1B		D10-4536-13	SLIDER	K1M1
19	3A		D10-4537-04	SLIDER ASSY	K1M1
20	1B		D10-4540-13	ARM	K1M1
21	1B		D10-4547-03	LEVER	K1M1
22	2B		D12-0630-02	CAM	K1M1
23	2B		D12-0631-02	CAM	K1M1
24	3B		D13-2185-04	GEAR	K1M1
25	3B		D13-2186-04	GEAR	K1M1
26	3B		D13-2187-04	GEAR	K1M1

E1 : KDC-C471FM K : KDC-C471FM K1 : KDC-C521FM M1 : KDC-C521FM
(E : Europe K : North America M : Other Areas)

△ Indicates safety critical components.

PARTS LIST

* New parts

Parts without **Parts No.** are not supplied.

Les articles non mentionnés dans le **Parts No.** ne sont pas fournis.

Teile ohne **Parts No.** werden nicht geliefert.

CD-CH MECHANISM ASSY (X92-4760-01) for KDC-C521FM

Ref. No.	A d d	N e w	Parts No.	Description	Desti- nation
76	3A	*	R33-0207-15	SLIDE TYPE VARIABLE RESISTOR	K1M1
M1	3B		T42-0797-04	DC MOTOR ASSY (SP)	K1M1
M2,3	3A		T42-0788-05	DC MOTOR	K1M1
Q15	3A		2SB1548(P)	TRANSISTOR	K1M1
Q15	3A		2SB1565(E,F)	TRANSISTOR	K1M1
PU1	3B		X93-2000-00	OPTICAL PICKUP ASSY	K1M1
CD-CH MECHANISM ASSY (X92-4770-01) for KDC-C471FM					
1	2D		A10-4745-13	CHASSIS ASSY	KE1
2	2D		A10-4748-02	CHASSIS CALKING ASSY	KE1
3	2D		A10-4751-03	CHASSIS CALKING ASSY	KE1
4	3C		A10-4754-04	CHASSIS CALKING ASSY	KE1
5	2C		A10-4763-02	CHASSIS CALKING ASSY	KE1
6	2C		A10-4765-02	CHASSIS	KE1
7	1C		A10-4766-02	CHASSIS CALKING ASSY	KE1
11	2D		D10-4546-03	ARM	KE1
12	2C		D10-4527-03	SLIDER	KE1
13	2D		D10-4528-03	ARM	KE1
14	2D		D10-4529-03	LEVER	KE1
15	3C		D10-4531-04	LEVER ASSY	KE1
16	2C		D10-4533-03	LEVER	KE1
17	2C		D10-4541-04	SLIDER ASSY	KE1
18	1D		D10-4543-13	SLIDER	KE1
19	3C		D10-4537-04	SLIDER ASSY	KE1
20	1D		D10-4545-13	ARM	KE1
21	1D		D10-4548-03	LEVER	KE1
22	2D		D12-0630-02	CAM	KE1
23	2D		D12-0631-02	CAM	KE1
24	3D		D13-2185-04	GEAR	KE1
25	3D		D13-2186-04	GEAR	KE1
26	3D		D13-2187-04	GEAR	KE1
27	3C		D13-2188-04	WORM	KE1
28	2D		D13-2092-04	GEAR	KE1
29	2D		D13-2093-04	GEAR ASSY	KE1
30	2D		D13-2095-04	GEAR	KE1
31	2D		D13-2096-04	GEAR	KE1
32	3C		D13-2099-04	GEAR	KE1
33	3C		D13-2100-04	GEAR	KE1
34	3C		D13-2101-04	GEAR	KE1
35	3C		D13-2102-04	GEAR	KE1
36	3C		D13-2103-04	GEAR	KE1
37	3C		D13-2104-04	GEAR	KE1
38	3D		D19-0636-04	LEAD SCREW	KE1
39	3C		D19-0637-04	CLUTCH ASSY	KE1
40	3C		D39-0225-05	DAMPER	KE1
FC1	3C		E39-0172-15	FLAT CABLE	KE1
FC2	3C		E39-0173-25	FLAT CABLE	KE1
46	2D		G01-3036-04	TORSION COIL SPRING	KE1
47	1D		G01-3037-04	EXTENSION SPRING	KE1
48	2D		G01-3038-04	TORSION COIL SPRING	KE1
49	3C		G01-3039-04	COMPRESSION SPRING	KE1
50	3C		G01-3040-04	EXTENSION SPRING	KE1

Ref. No.	A d d	N e w	Parts No.	Description	Desti- nation
51	3C		G01-3041-04	EXTENSION SPRING	KE1
52	1D		G01-3042-04	TORSION COIL SPRING	KE1
53	2C		G01-3043-04	TORSION COIL SPRING	KE1
54	1D		G01-3044-04	EXTENSION SPRING	KE1
55	2C		G01-3046-04	EXTENSION SPRING	KE1
56	2C		G01-3047-04	EXTENSION SPRING	KE1
57	3D		G02-1374-04	FLAT SPRING	KE1
58	3D		G02-1375-03	FLAT SPRING	KE1
59	2D		G02-1376-03	FLAT SPRING	KE1
61	2D		G02-1378-14	FLAT SPRING	KE1
62	3C		G02-1380-04	FLAT SPRING	KE1
63	2C		G10-1045-14	FELT	KE1
68	2D		J11-0637-03	CLAMPER	KE1
69	3D		J21-9592-04	MOUNTING HARDWARE	KE1
70	1D		J21-9597-03	MOUNTING HARDWARE	KE1
71	2D		J90-0759-03	GUIDE	KE1
74	2C		J90-0992-03	RAIL	KE1
75	2D		J90-0990-03	GUIDE	KE1
FPC1	3D		J84-0141-05	FLEXIBLE PRINTED WIRING BOARD	KE1
A	2C		N09-4126-05	MACHINE SCREW (2X3.5)	KE1
B	3C		N09-4288-05	TAPTITE SCREW (2X2.5)	KE1
C	3C		N86-2005-46	BINDING HEAD TAPTITE SCREW	KE1
D	2D		N09-4189-05	TAPTITE SCREW (1.7X1.5)	KE1
E	3D		N09-4154-05	TAPTITE SCREW	KE1
F	2D		N09-4181-05	MACHINE SCREW (M1.7X3)	KE1
G	3D		N39-1722-46	PAN HEAD MACHINE SCREW	KE1
H	3A		N09-6108-05	MACHINE SCREW (M2*3.5)	KE1
J	3C		N19-2105-14	FLAT WASHER	KE1
K	3C		N19-2058-04	FLAT WASHER	KE1
L	1D		N19-2080-14	FLAT WASHER	KE1
M	2D		N19-2028-04	FLAT WASHER	KE1
76	3C	*	R33-0207-15	SLIDE TYPE VARIABLE RESISTOR	KE1
M1	3D		T42-0797-04	DC MOTOR ASSY (SP)	KE1
M2,3	3C		T42-0788-05	DC MOTOR	KE1
Q15	3C		2SB1548(P)	TRANSISTOR	KE1
Q15	3C		2SB1565(E,F)	TRANSISTOR	KE1
PU1	3D		X93-2000-00	OPTICAL PICKUP ASSY	KE1
FM MODULATOR					
401	1H	*	A01-2853-08	METALLIC CABINET	K1KM1
401	1H	*	A01-2855-08	METALLIC CABINET	E1
403	3G	*	A46-1806-08	REAR COVER	K1KM1
403	3G	*	A46-1812-08	REAR COVER	E1
PA1	2G	*	A64-3412-08	PANEL ASSY	K1KM1
PA1	2G	*	A64-3414-08	PANEL ASSY	E1
RM1	1G	*	A70-2051-05	REMOTE CONTROLLER ASSY (RC-535)	K1M1
RM1	1G	*	A70-2052-05	REMOTE CONTROLLER ASSY (RC-525)	E1
406	2G	*	B10-4561-08	FRONT GLASS	
407	1G	*	B19-2269-08	LIGHTING BOARD	
408	2G	*	B19-2270-08	LIGHTING BOARD	
411	2G	*	E29-1992-08	CONDUCTIVE RUBBER	

E1 : KDC-C471FM K : KDC-C471FM K1 : KDC-C521FM M1 : KDC-C521FM
(E : Europe K : North America M : Other Areas)

△ Indicates safety critical components.

PARTS LIST

* New parts

Parts without **Parts No.** are not supplied.

Les articles non mentionnés dans le **Parts No.** ne sont pas fournis.

Teile ohne **Parts No.** werden nicht geliefert.

FM MODULATOR

Ref. No.	A d d	N e w	Parts No.	Description	Desti- nation
F1,2	1H		F06-3026-05	FUSE 3A	
-		*	H12-2756-08	PACKING FIXTURE	
-		*	H12-2757-08	PACKING FIXTURE	
414	2G	*	J19-7009-08	UNIT HOLDER	
415	2G	*	K24-4174-08	KNOB (UP/DOWN)	K1KM1
415	2G	*	K24-4215-08	KNOB (UP/DOWN)	E1
416	2G	*	K24-4175-08	KNOB (MENU)	K1KM1
416	2G	*	K24-4217-08	KNOB (MENU)	E1
417	2G	*	K24-4213-08	KNOB (SEEK)	K1KM1
417	2G	*	K24-4216-08	KNOB (SEEK)	E1
418	2G	*	K25-1653-08	KNOB (1-6)	
419	2G	*	K29-7101-08	KEY TOP (SRC)	
420	2G	*	K29-7102-08	KNOB BASE (SRC HOLDER)	
422	1G	*	N99-1755-08	SCREW	
A	3H		N30-3006-45	PAN HEAD MACHINE SCREW	
B	2G		N82-2005-45	BINDING HEAD TAPTITE SCREW	
C	3G	*	N82-2008-43	BINDING HEAD TAPTITE SCREW	
E	1H		N86-2606-45	BINDING HEAD TAPTITE SCREW	
F	2H		N86-2606-46	BINDING HEAD TAPTITE SCREW	
423	1G		T90-0512-05	ANTENNA ADAPTOR	E1
424	1G		T90-0521-05	ANTENNA ADAPTOR	E1
425	1G	*	W01-1633-08	VELCRO	
FM MODULATOR UNIT					
C1			CE04DW1A221M	ELECTRO 220UF 10WV	
C102		*	C93-1371-08	CHIP C 1000PF J	
C103			CE04BW1H4R7M	NP-ELEC 4.7UF 50WV	
C104			CK73GB1C104K	CHIP C 0.10UF K	
C106			CE04DW1H010M	ELECTRO 1.0UF 50WV	
C107			CK73GB1H472K	CHIP C 4700PF K	
C108			CC73GCH1H180J	CHIP C 18PF J	
C109			CK73GB1H153K	CHIP C 0.015UF K	
C112			CE04DW1E220M	ELECTRO 22UF 25WV	
C114			CC73GCH1H681J	CHIP C 680PF J	E1
C114		*	C93-1371-08	CHIP C 1000PF J	K1KM1
C115			CK73GB0J105K	CHIP C 1.0UF K	
C118		*	C91-2274-08	MP-F C 0.22UF J	
C120			CE04DW1H4R7M	ELECTRO 4.7UF 50WV	
C202		*	C93-1371-08	CHIP C 1000PF J	
C203			CE04BW1H4R7M	NP-ELEC 4.7UF 50WV	
C207			CK73GB1H472K	CHIP C 4700PF K	
C208			CC73GCH1H180J	CHIP C 18PF J	
C209			CK73GB1H153K	CHIP C 0.015UF K	
C212			CE04DW1E220M	ELECTRO 22UF 25WV	
C214			CC73GCH1H681J	CHIP C 680PF J	E1
C214		*	C93-1371-08	CHIP C 1000PF J	K1KM1
C218		*	C91-2274-08	MP-F C 0.22UF J	
C220			CE04DW1H4R7M	ELECTRO 4.7UF 50WV	
C301			CE04DW1E100M	ELECTRO 10UF 25WV	
C302			CC73GCH1H101J	CHIP C 100PF J	
C303			CC73GCH1H150J	CHIP C 15PF J	
C306			CK73GB1E333K	CHIP C 0.033UF K	

Ref. No.	A d d	N e w	Parts No.	Description	Desti- nation
C307			CC73GCH1H180J	CHIP C 18PF J	
C308			CC73GCH1H471J	CHIP C 470PF J	
C309			CE04DW1H4R7M	ELECTRO 4.7UF 50WV	
C312			CE04DW1E470M	ELECTRO 47UF 25WV	
C313			CE04DW1A101M	ELECTRO 100UF 10WV	
C314			CC73GCH1H330J	CHIP C 33PF J	
C315			CK73GB1H332K	CHIP C 3300PF K	
C401			CE04DW1E220M	ELECTRO 22UF 25WV	
C402			CE04DW1E100M	ELECTRO 10UF 25WV	
C403			CC73GCH1H101J	CHIP C 100PF J	
C404			CC73GCH1H120J	CHIP C 12PF J	
C405			CE04DW1H4R7M	ELECTRO 4.7UF 50WV	
C411-413			CC73GCH1H150J	CHIP C 15PF J	
C414			CC73GCH1H471J	CHIP C 470PF J	
C416			CK73GB1E223K	CHIP C 0.022UF K	
C418			CC73GCH1H101J	CHIP C 100PF J	
C419			CC73GCH1H330J	CHIP C 33PF J	
C420			CK73GB1E223K	CHIP C 0.022UF K	
C421			CC73GCH1H471J	CHIP C 470PF J	
C451			CC73GCH1H471J	CHIP C 470PF J	
C501			CC73GCH1H330J	CHIP C 33PF J	
C502			CC73GCH1H220J	CHIP C 22PF J	
C504			CK73GB1E223K	CHIP C 0.022UF K	
C505			CK73GB0J105K	CHIP C 1.0UF K	
C506		*	C94-0228-08	ELECTRO 1000UF 16WV	
C517-522			CC73GCH1H101J	CHIP C 100PF J	
C551			CK73GB1C104K	CHIP C 0.10UF K	
C552			CK73GB1H103K	CHIP C 0.010UF K	
C561-566			CC73GCH1H101J	CHIP C 100PF J	
C602		*	C94-0228-08	ELECTRO 1000UF 16WV	
C603			CE04DW1A101M	ELECTRO 100UF 10WV	
C604			CK73GB1C104K	CHIP C 0.10UF K	
C608			CK73GB1C104K	CHIP C 0.10UF K	
C651			CK73GB1C104K	CHIP C 0.10UF K	
C652			CK73GB0J105K	CHIP C 1.0UF K	
SC501		*	C90-6703-08	ELECTRO 0.47F 5.5WV	
AT1	1G	*	E30-6376-08	CORD WITH PLUG (ANT)	
DC1	1H	*	E30-6377-08	DC CORD ASSY	
LUG1			E23-0746-05	TERMINAL	
PN301,302		*	E41-2228-08	PIN ASSY	
PN302		*	E41-2229-08	PIN ASSY	
SKT401		*	E56-0860-08	CYLINDRICAL RECEPTACLE (8P MIN DIN)	
SKT402		*	E56-0861-08	CYLINDRICAL RECEPTACLE (13P DIN)	
VC401		*	KDV1472-B	VARIABLE CAPACITANCE DIODE	
L601		*	L33-2220-08	CHOKE COIL 100UH	
X301		*	L77-2895-08	CRYSTAL RESONATOR 38KHZ	
X501		*	L77-2894-08	CRYSTAL RESONATOR 4.5MHZ	
J401-403			R92-2053-05	CHIP R 0 J 1/8W	
R102			RK73GB2A152J	CHIP R 1.5K J 1/10W	
R103			RK73GB2A682J	CHIP R 6.8K J 1/10W	
R104,105			RK73GB2A103J	CHIP R 10K J 1/10W	
R107,108			RK73GB2A103J	CHIP R 10K J 1/10W	

E1 : KDC-C471FM K : KDC-C471FM K1 : KDC-C521FM M1 : KDC-C521FM
(E : Europe K : North America M : Other Areas)

△ Indicates safety critical components.

PARTS LIST

* New parts

Parts without **Parts No.** are not supplied.

Les articles non mentionnés dans le **Parts No.** ne sont pas fournis.

Teile ohne **Parts No.** werden nicht geliefert.

FM MODULATOR UNIT

Ref. No.	Add	New	Parts No.	Description	Destination	Ref. No.	Add	New	Parts No.	Description	Destination
R109			RK73GB2A682J	CHIP R 6.8K J 1/10W		R513			RK73FB2A472J	CHIP R 4.7K J 1/10W	
R110			RK73GB2A103J	CHIP R 10K J 1/10W		R514			RK73FB2B332J	CHIP R 3.3K J 1/8W	
R112,113			RK73GB2A682J	CHIP R 6.8K J 1/10W		R515			RK73FB2B102J	CHIP R 1.0K J 1/8W	
R115			RK73GB2A222J	CHIP R 2.2K J 1/10W		R516			RK73FB2B332J	CHIP R 3.3K J 1/8W	
R116			RK73GB2A362J	CHIP R 3.6K J 1/10W		R517			RK73FB2B102J	CHIP R 1.0K J 1/8W	
R117			RK73GB2A471J	CHIP R 470 J 1/10W		R518			RK73FB2B221J	CHIP R 220 J 1/8W	
R118			RK73GB2A152J	CHIP R 1.5K J 1/10W		R519-521			RK73FB2B102J	CHIP R 1.0K J 1/8W	
R120		*	RK73GB2A753J	CHIP R 75K J 1/10W		R522			RK73FB2A472J	CHIP R 4.7K J 1/10W	
R121			RK73GB2A473J	CHIP R 47K J 1/10W		R531			RK73GB2A104J	CHIP R 100K J 1/10W	
R202			RK73GB2A152J	CHIP R 1.5K J 1/10W		R534			RK73GB2A104J	CHIP R 100K J 1/10W	
R203			RK73GB2A682J	CHIP R 6.8K J 1/10W		R536			RK73GB2A104J	CHIP R 100K J 1/10W	
R204,205			RK73GB2A103J	CHIP R 10K J 1/10W		R551,552			RK73FB2B103J	CHIP R 10K J 1/8W	
R207,208			RK73GB2A103J	CHIP R 10K J 1/10W		R601			RK73GB2A103J	CHIP R 10K J 1/10W	
R209			RK73GB2A682J	CHIP R 6.8K J 1/10W		R602,603			RK73GB2A472J	CHIP R 4.7K J 1/10W	
R210			RK73GB2A103J	CHIP R 10K J 1/10W		R604-606			RK73FB2B103J	CHIP R 10K J 1/8W	
R212,213			RK73GB2A682J	CHIP R 6.8K J 1/10W		R607			RK73FB2A472J	CHIP R 4.7K J 1/10W	
R215			RK73GB2A222J	CHIP R 2.2K J 1/10W		R611			RK73GB2A103J	CHIP R 10K J 1/10W	
R217			RK73GB2A471J	CHIP R 470 J 1/10W		R612			RK73GB2A472J	CHIP R 4.7K J 1/10W	
R220		*	RK73GB2A753J	CHIP R 75K J 1/10W		R613,614			RK73GB2A102J	CHIP R 1.0K J 1/10W	
R301			RK73GB2A102J	CHIP R 1.0K J 1/10W		R617			RK73FB2A472J	CHIP R 4.7K J 1/10W	
R302			RK73GB2A152J	CHIP R 1.5K J 1/10W		R617			RK73GB2A473J	CHIP R 47K J 1/10W	
R303,304			RK73GB2A103J	CHIP R 10K J 1/10W		R651			RK73GB2A471J	CHIP R 470 J 1/10W	
R306			RK73GB2A682J	CHIP R 6.8K J 1/10W		VR301,302	*		R32-0295-08	SEMI FIXED VARIABLE RESIS. 10K	
R307			RK73GB2A683J	CHIP R 68K J 1/10W		RY401	*		S76-0814-08	RELAY RF	
R308			RK73GB2A155J	CHIP R 1.5M J 1/10W		D101	*		KDS122	DIODE	
R309			RK73GB2A471J	CHIP R 470 J 1/10W		D201	*		KDS122	DIODE	
R310			RK73GB2A561J	CHIP R 560 J 1/10W		D301	*		KDS122	DIODE	
R311			RK73FB2B331J	CHIP R 330 J 1/8W		D601-605			1N4004A	DIODE	
R314			RK73GB2A222J	CHIP R 2.2K J 1/10W		IC101-103	*		CO5532A	ANALOGUE IC	
R316			RK73GB2A332J	CHIP R 3.3K J 1/10W		IC301			NJM2035M	ANALOGUE IC	
R318			RK73GB2A682J	CHIP R 6.8K J 1/10W		IC302	*		CO5532A	ANALOGUE IC	
R321			RK73GB2A223J	CHIP R 22K J 1/10W		IC501	*		LC72366-9B63	MICROCONTROLLER IC	
R322-324			RK73GB2A103J	CHIP R 10K J 1/10W		IC601	*		KIA7806AF	ANALOGUE IC	
R325			RK73GB2A154J	CHIP R 150K J 1/10W		Q102,103	*		KTK5134S	FET	
R327			RK73GB2A4R7J	CHIP R 4.7 J 1/10W		Q203	*		KTK5134S	FET	
R351			RK73GB2A223J	CHIP R 22K J 1/10W		Q301	*		KTC3875S-Y	TRANSISTOR	
R352			RK73GB2A332J	CHIP R 3.3K J 1/10W		Q303-305	*		KTK5134S	FET	
R353			RK73GB2A681J	CHIP R 680 J 1/10W		Q351	*		KTC3875S-Y	TRANSISTOR	
R355			RK73GB2A183J	CHIP R 18K J 1/10W		Q401,402	*		KTC3879S-Y	TRANSISTOR	
R356			RK73GB2A222J	CHIP R 2.2K J 1/10W		Q411	*		KTC4080-0	TRANSISTOR	
R401			RK73GB2A223J	CHIP R 22K J 1/10W		Q501,502	*		KRC110S	TRANSISTOR	
R402			RK73GB2A222J	CHIP R 2.2K J 1/10W		Q601	*		KTA1505S-Y	TRANSISTOR	
R403			RK73GB2A561J	CHIP R 560 J 1/10W		Q602	*		KRC110S	TRANSISTOR	
R404			RK73GB2A104J	CHIP R 100K J 1/10W		Q603	*		KTC3875S-Y	TRANSISTOR	
R405,406			RK73GB2A103J	CHIP R 10K J 1/10W		Q604			KRC103S	TRANSISTOR	
R407			RK73GB2A101J	CHIP R 100 J 1/10W		Q605	*		KTA1505S-Y	TRANSISTOR	
R411			RK73GB2A153J	CHIP R 15K J 1/10W		Q606	*		KTC4374-Y	TRANSISTOR	
R412			RK73GB2A221J	CHIP R 220 J 1/10W		Q607	*		KRC103S	TRANSISTOR	
R413			RK73GB2A152J	CHIP R 1.5K J 1/10W		Q608	*		KRC110S	TRANSISTOR	
R414			RK73GB2A222J	CHIP R 2.2K J 1/10W		Q609	*		KRC105S	TRANSISTOR	
R451			RK73GB2A391J	CHIP R 390 J 1/10W		ZD511-516	*		KDZ5.6EV	ZENER DIODE	
R501			RK73GB2A103J	CHIP R 10K J 1/10W		ZD518	*		KDZ5.6EV	ZENER DIODE	
R502,503			RK73FB2B103J	CHIP R 10K J 1/8W		ZD601,602	*		KDZ5.6EV	ZENER DIODE	
R511			RK73FB2B332J	CHIP R 3.3K J 1/8W		ZD603	*		KDZ8.2EV	ZENER DIODE	
R512			RK73FB2B102J	CHIP R 1.0K J 1/8W							

E1 : KDC-C471FM K : KDC-C471FM K1 : KDC-C521FM M1 : KDC-C521FM
 (E : Europe K : North America M : Other Areas)

△ Indicates safety critical components.

