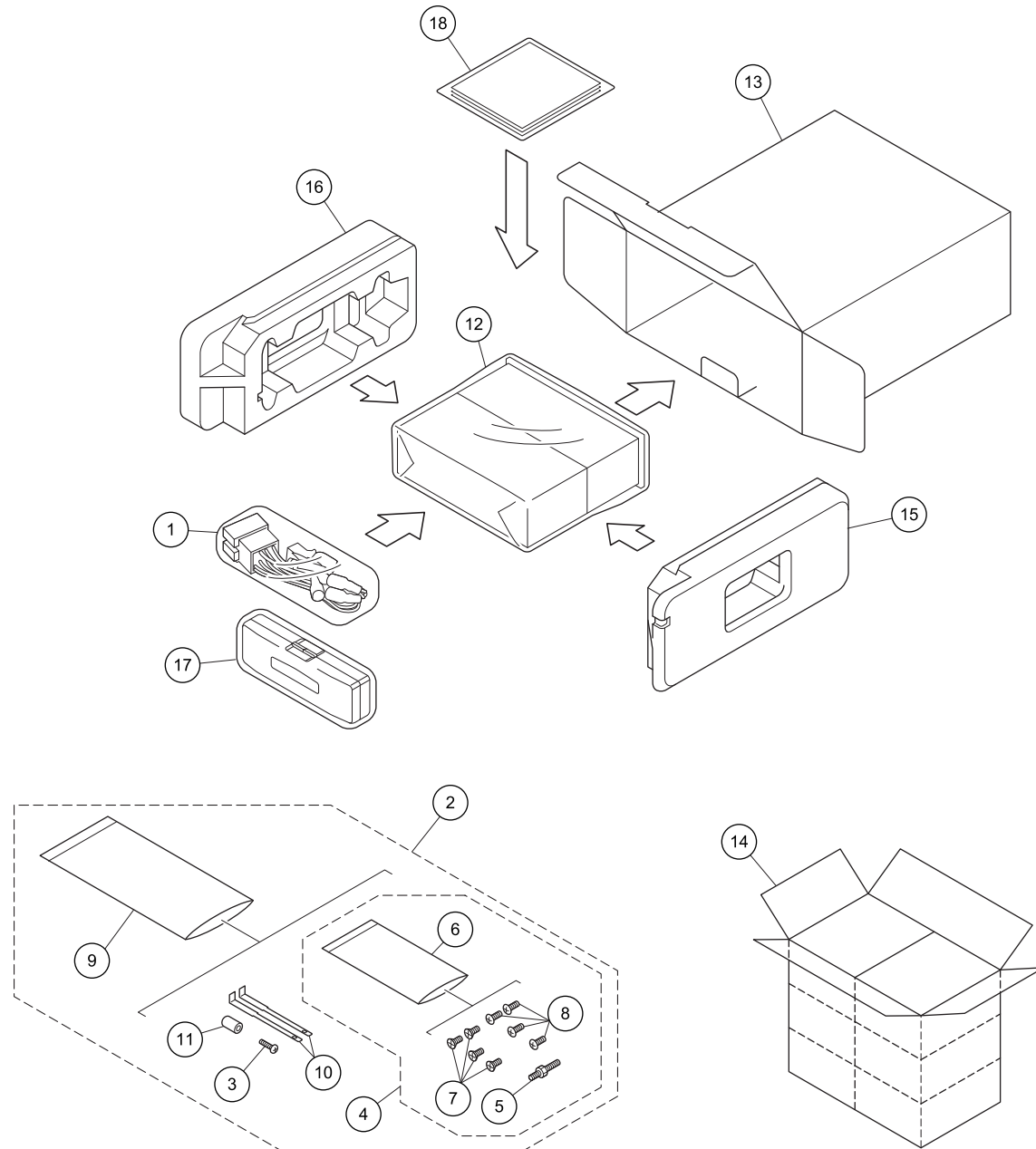


9. EXPLODED VIEWS AND PARTS LIST

NOTES : • Parts marked by " * " are generally unavailable because they are not in our Master Spare Parts List.
• The ⚠ mark found on some component parts indicates the importance of the safety factor of the part. Therefore, when replacing, be sure to use parts of identical designation.
• Screw adjacent to ▽ mark on the product are used for disassembly.
• For the applying amount of lubricants or glue, follow the instructions in this manual.
(In the case of no amount instructions, apply as you think it appropriate.)

9.1 PACKING



(1) PACKING SECTION PARTS LIST

<u>Mark No.</u>	<u>Description</u>	<u>Part No.</u>	<u>Mark No.</u>	<u>Description</u>	<u>Part No.</u>
1	Cord Assy	CDP1015	11	Bush	CNV3930
2	Accessory Assy	CEA6707	12	Polyethylene Bag	CEG-162
3	Screw	BPZ20P080FTC	13	Unit Box	See Contrast table(2)
4	Screw Assy	CEA3849	14	Contain Box	See Contrast table(2)
5	Screw	CBA1650	15	Protector	YHP5050
* 6	Polyethylene Bag	CEG-127	16	Protector	YHP5051
7	Screw	CRZ50P090FTC	17	Case Assy	YXB5009
8	Screw	TRZ50P080FTC	* 18-1	Warranty Card	CRY1279
9	Polyethylene Bag	CEG1160	18-2	Owner's Manual	QRD3020
10	Handle	CND3707	18-3	Installation Manual	QRD3015

(2) CONTRAST TABLE

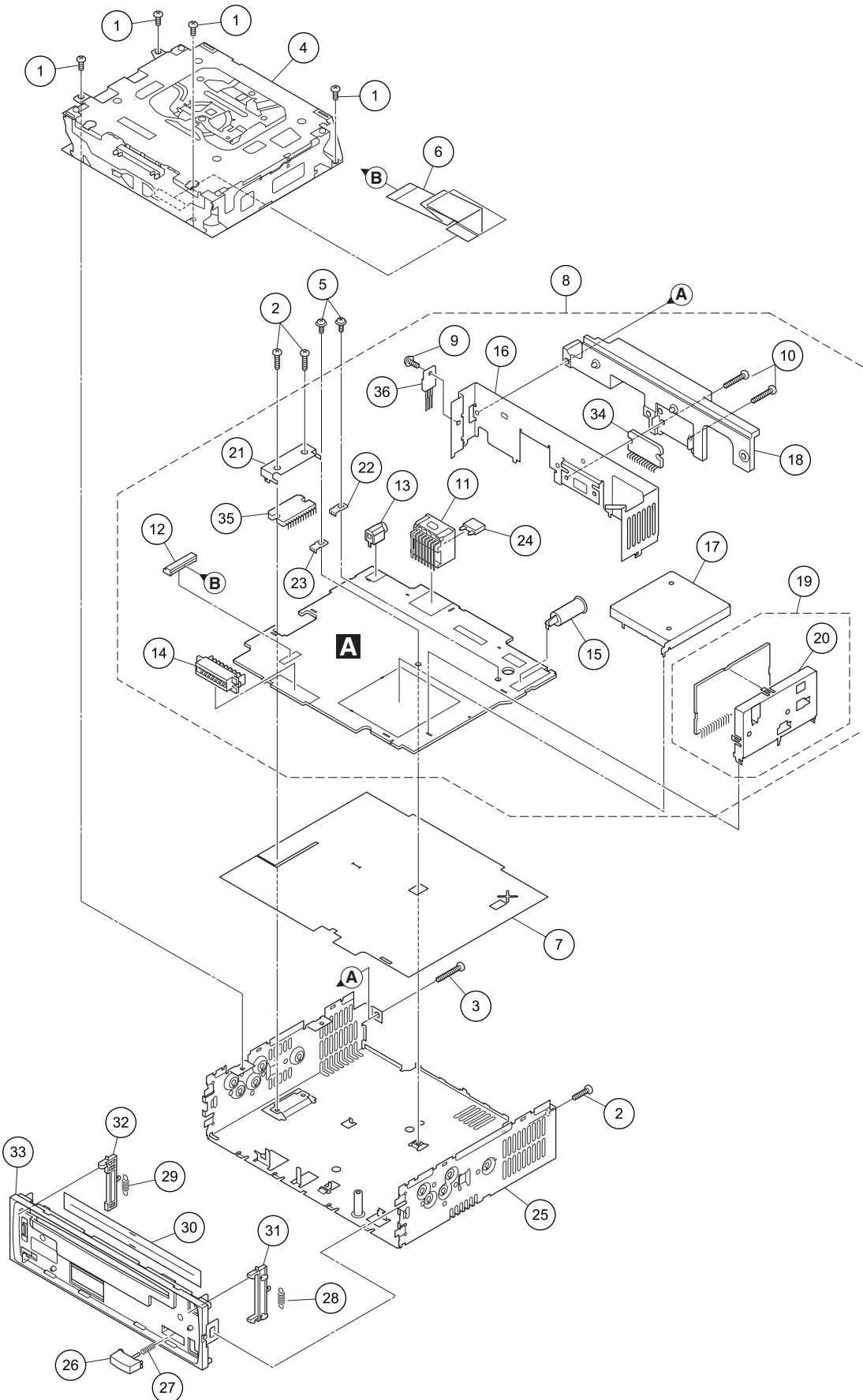
DEH-110E/XN/EW5 and DEH-112E/XN/EW5 are constructed the same except for the following:

Mark	No.	Description	DEH-110E/XN/EW5	DEH-112E/XN/EW5
	13	Unit Box	QHG3028	QHG3029
	14	Contain Box	QHL3028	QHL3029

Owner's Manual,Installation Manual

Part No.	Language
QRD3020	English, Spanish(Espanol), German, French, Italian, Dutch, Russian
QRD3015	English, Spanish(Espanol), German, French, Italian, Dutch, Russian

9.2 EXTERIOR(1)



(1) EXTERIOR(1) SECTION PARTS LIST

<u>Mark No.</u>	<u>Description</u>	<u>Part No.</u>	<u>Mark No.</u>	<u>Description</u>	<u>Part No.</u>
1	Screw	BSZ26P060FTC	20	Holder	CND3466
2	Screw	BSZ26P100FTC			
3	Screw	BSZ26P180FTC	21	Holder	QNC3010
4	CD Mechanism Module(S10.5)	CXK5701	22	Terminal(CN402)	VNF1084
5	Screw	ISS26P055FTC	23	Terminal(CN601)	VNF1084
			⚠ 24	Fuse(10 A)	YEK5001
6	Cable	QDE3004	25	Chassis Unit	See Contrast table(2)
7	Insulator	QNM3015			
8	Tuner Amp Unit	See Contrast table(2)	26	Button	CAC4836
9	Screw	BSZ26P060FTC	27	Spring	CBH2367
10	Screw	BSZ26P160FTC	28	Spring(Silver)	CBH2961
			29	Spring(Black)	CBH2962
11	Plug(CN901)	CKM1376	30	Cover	CNN1665
12	Connector(CN651)	CKS3832			
13	Connector(CN871)	CKS4124	31	Arm	CNV9311
14	Connector(CN831)	CKS5664	32	Arm	CNV9312
15	Antenna Jack(CN401)	CKX1070	33	Panel	QNS3023
			34	IC(IC301)	PAL007C
16	Holder	YND5013	35	IC(IC911)	BA49181-V12
17	Holder	CND3706			
18	Heat Sink	CNR1668	36	Transister(Q991)	2SD2396
19	FM/AM Tuner Unit	CWE2106			

(2) CONTRAST TABLE

DEH-110E/XN/EW5 and DEH-112E/XN/EW5 are constructed the same except for the following:

Mark	No.	Description	DEH-110E/XN/EW5	DEH-112E/XN/EW5
	8	Tuner Amp Unit	QWM3036	QWM3037
	24	Chassis Unit	QXA3069	QXA3070

9.3 EXTERIOR(2)

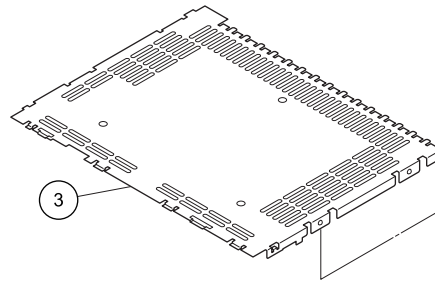
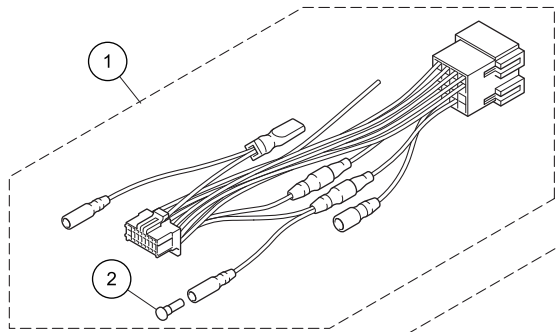
1

2

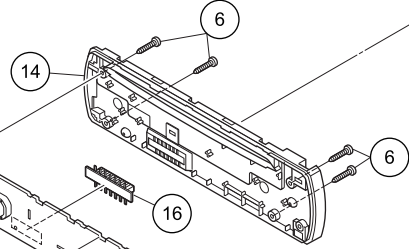
3

4

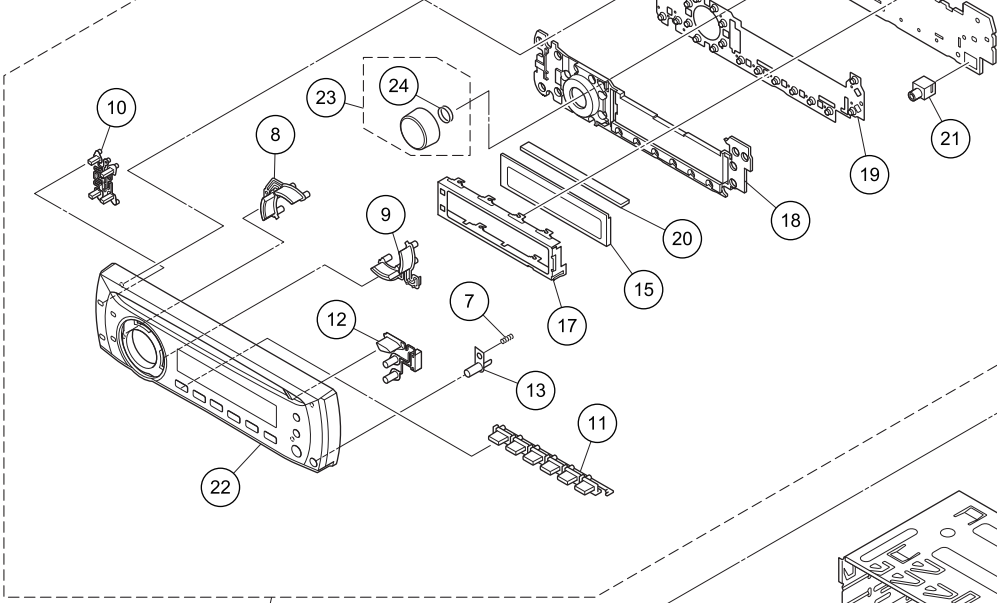
A



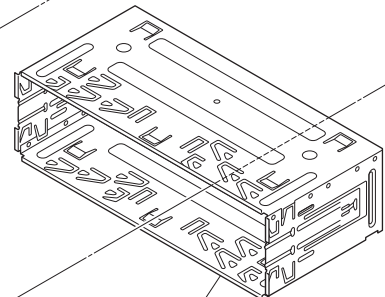
B



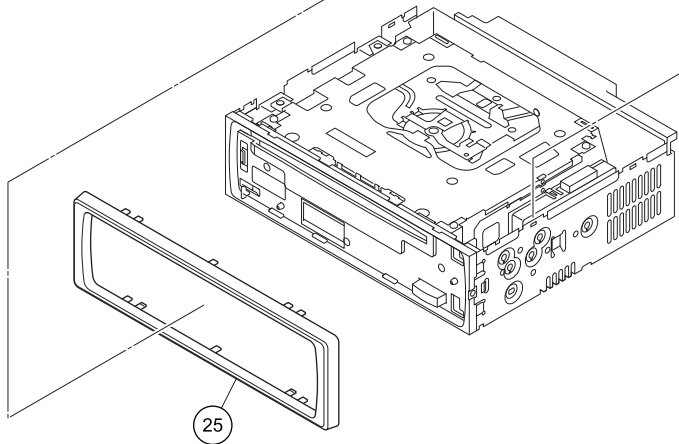
C



D



E



F



1

2

3

4

(1) EXTERIOR(2) SECTION PARTS LIST

<u>Mark No.</u>	<u>Description</u>	<u>Part No.</u>	<u>Mark No.</u>	<u>Description</u>	<u>Part No.</u>
1	Cord Assy	CDP1015	14	Cover	QNS3022
2	Terminal Cover	CKX-003	15	LCD(LCD1801)	CAW1927
3	Case	CNB2793			
4	Holder	CND3598	16	Connector(CN1801)	CKS5663
5	Detachable Assy	See Contrast table(2)	17	Holder	QNC3004
			18	Lighting Conductor	QNV3004
6	Screw	BPZ20P100FTC	19	Rubber	QNV3005
7	Spring	CBH2210	20	Connector	QNV3007
8	Button(UP, RIGHT)	QAC3015			
9	Button(DOWN, LEFT)	QAC3016	21	Jack(CN1802)	YKN5001
10	Button(FUNC, BAND/ESC, AUDIO, EQ/LOUD)	QAC3017	22	Grille Unit	See Contrast table(2)
			23	Knob Unit	QXA3064
11	Button(1-6)	QAC3019	24	Spring	YBL5010
12	Button(EJECT, DISP, TA/AF)	QAC3020	25	Panel	YNS5406
13	Button(DETACH)	QAC3021			

(2) CONTRAST TABLE

DEH-110E/XN/EW5 and DEH-112E/XN/EW5 are constructed the same except for the following:

Mark	No.	Description	DEH-110E/XN/EW5	DEH-112E/XN/EW5
	5	Detachable Assy	QXA3080	QXA3081
	22	Grille Unit	QXA3062	QXA3063

9.4 CD MECHANISM MODULE

A

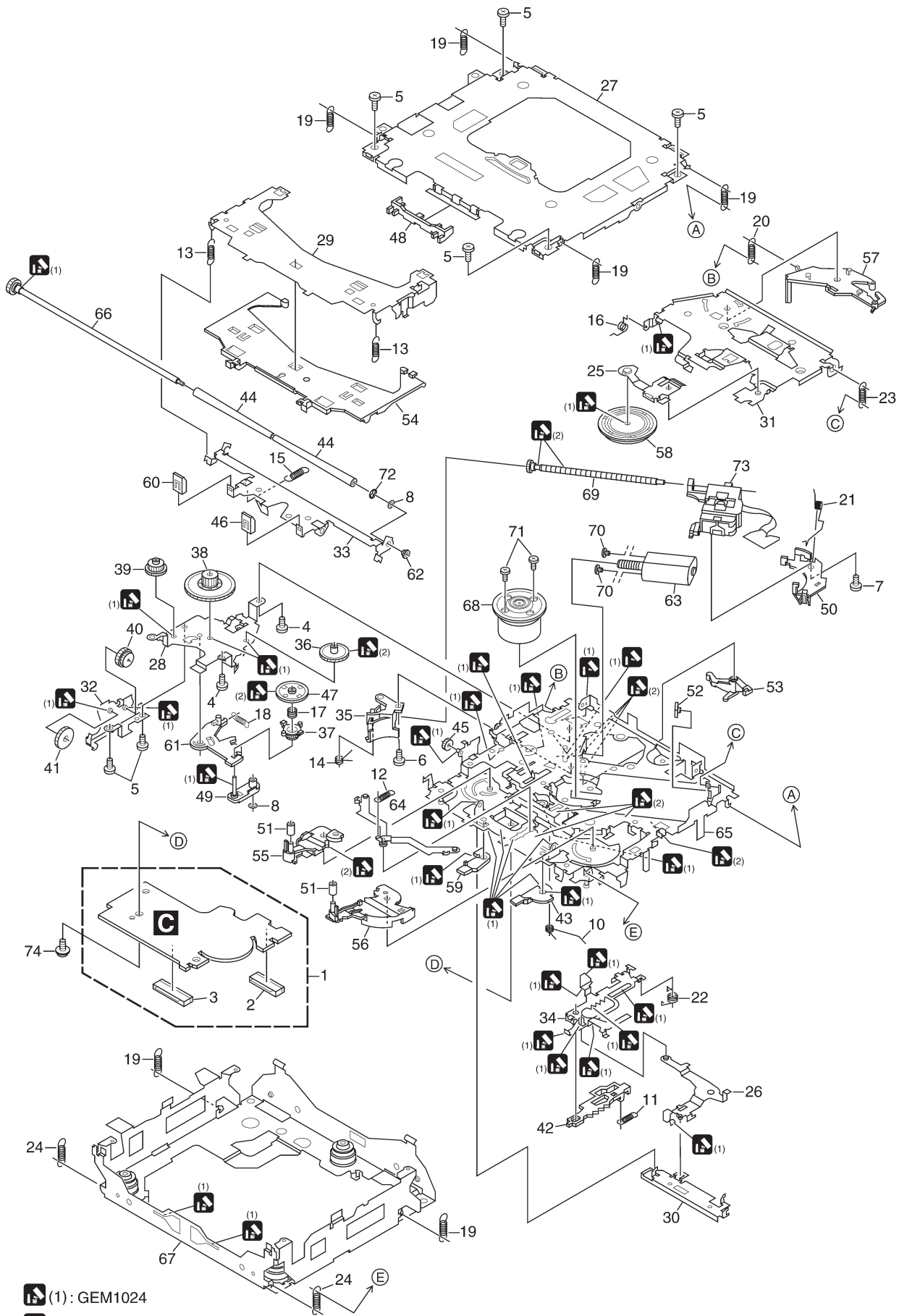
B

C

D

E

F



(1): GEM1024
 (2): GEM1045

CD MECHANISM MODULE SECTION PARTS LIST

<u>Mark No.</u>	<u>Description</u>	<u>Part No.</u>	<u>Mark No.</u>	<u>Description</u>	<u>Part No.</u>	
1	CD Core Unit(S10.5)	CWX3090	50	Rack	CNV8342	
2	Connector(CN101)	CKS4182				A
3	Connector(CN702)	CKS4185	51	Roller	CNV8343	
4	Screw	BMZ20P025FTC	52	Holder	CNV8344	
5	Screw	BSZ20P040FTC	53	Arm	CNV8345	
			54	Guide	CNV9498	
6	Screw(M2 x 3)	CBA1511	55	Arm	CNV8348	
7	Screw(M2 x 4)	CBA1835				
8	Washer	CBF1038	56	Arm	CNV8349	
9		57	Arm	CNV8350	
10	Spring	CBH2609	58	Clamper	CNV8365	
			59	Arm	CNV8386	
11	Spring	CBH2612	60	Guide	CNV8396	B
12	Spring	CBH2614				
13	Spring	CBH2616	61	Arm	CNV8413	
14	Spring	CBH2617	62	Collar	CNV8938	
15	Spring	CBH2620	63	Motor Unit(M2)	CXC4026	
			64	Arm Unit	CXC4027	
16	Spring	CBH2855	65	Chassis Unit	CXC4028	
17	Spring	CBH2937				
18	Spring	CBH2735	66	Gear Unit	CXC4029	
19	Spring	CBH2854	67	Frame Unit	CXC4031	
20	Spring	CBH2642	68	Motor Unit(M1)	CXC7134	
			69	Screw Unit	CXC6359	C
21	Spring	CBH2856	70	Screw	JFZ20P020FTC	
22	Spring	CBH2857				
23	Spring	CBH2860	71	Screw	JGZ17P022FTC	
24	Spring	CBH2861	72	Washer	YE20FTC	
25	Spring	CBL1686	73	Pickup Unit(P10.5)(Service)	CXX1942	
			74	Screw	IMS26P030FTC	
26	Arm	CND1909				
27	Frame	CND2582				
28	Bracket	CND2583				
29	Arm	CND3831				
30	Lever	CND2585				D
31	Arm	CND2586				
32	Bracket	CND2587				
33	Arm	CND2588				
34	Lever	CND2589				
35	Holder	CNV7201				
36	Gear	CNV7207				
37	Gear	CNV7208				
38	Gear	CNV7209				E
39	Gear	CNV7210				
40	Gear	CNV7211				
41	Gear	CNV7212				
42	Rack	CNV7214				
43	Arm	CNV7216				
44	Roller	CNV7218				
45	Gear	CNV7219				
46	Guide	CNV7361				
47	Gear	CNV7595				F
48	Guide	CNV7799				
49	Arm	CNV7805				

12. ELECTRICAL PARTS LIST

NOTE:

- Parts whose parts numbers are omitted are subject to being not supplied.
- The part numbers shown below indicate chip components.

Chip Resistor

RS1/○S○○○○J,RS1/○○S○○○○J

Chip Capacitor (except for CQS.....)

CKS....., CCS....., CSZS.....

- The \triangle mark found on some component parts indicates the importance of the safety factor of the part. Therefore, when replacing, be sure to use parts of identical designation.
- Meaning of the figures and others in the parentheses in the parts list.

Example) IC 301 is on the point (face A, 91 of x-axis, and 111 of y-axis) of the corresponding PC board.

IC 301 (A, 91, 111) IC NJM2068V

- The expression of the unit in this manual is shown by u instead of μ . Please do not make a mistake.

Circuit Symbol and No.

Part No.

Circuit Symbol and No.

Part No.

Unit Number: QWM3037(112E)

D 902 (A,45,105) Diode 1SR139-400

Unit Number: QWM3036(110E)

D 911 (A,48,78) Diode 1SR139-400

Unit Name : Tuner Amp Unit

D 912 (A,41,78) Diode 1SR139-400

Unit Number: (112E)

D 931 (A,61,107) Diode HZS7L(A1)

Unit Name : Keyboard Unit

D 991 (A,16,111) Diode HZS7L(C3)

Unit Number: (110E)

L 151 (A,134,104) Inductor LAU2R2K

Unit Name : Keyboard Unit

L 401 (A,146,80) Inductor LAU2R2K

Unit Number: CWX3090

L 402 (A,142,96) Inductor LAU2R2K

Unit Name : CD Core Unit(S10.5)

L 407 (B,162,64) Inductor CTF1473

L 601 (B,115,20) Inductor CTF1389

L 602 (A,149,23) Inductor LAUR47K

L 603 (A,109,77) Inductor LAU2R2K

L 604 (A,118,68) Inductor LAUR47K

L 605 (A,124,67) Inductor LAUR47K

L 606 (A,143,67) Inductor LAU1R0K

L 607 (A,144,59) Inductor LAU1R0K

L 608 (A,132,67) Inductor LAU1R5K

L 609 (A,129,67) Inductor LAU1R5K

L 610 (A,136,65) Inductor LAU1R2J

L 611 (B,133,80) Inductor CTF1379

L 612 (B,131,80) Inductor CTF1379

L 613 (B,142,59) Inductor CTF1379

L 614 (B,119,65) Inductor CTF1379

L 615 (B,149,71) Inductor CTF1379

L 616 (B,141,75) Inductor CTF1379

L 617 (B,144,50) Inductor CTF1389

L 801 (A,70,22) Inductor LAU2R2K

L 851 (A,54,105) Inductor LAU2R2K

L 901 (A,32,96) Choke Coil 600 uH CTH1280

X 601 (A,139,60) Oscillator 74.100 MHz CSS1749

AR401 (B,160,109) Surge Protector IMSA-6801-01Y901

A

Unit Number: QWM3037(112E)

Unit Number: QWM3036(110E)

Unit Name : Tuner Amp Unit

MISCELLANEOUS

IC 151 (B,120,99) IC PML014A
 IC 301 (A,91,131) IC PAL007C
 IC 601 (B,125,42) IC PN5016A
 IC 911 (A,21,78) IC BA49181-V12
 Q 201 (B,126,128) Transistor UMD2N

Q 601 (A,148,65) Transistor 2SD1858
 Q 821 (B,28,10) Transistor 2SA1036K
 Q 822 (B,19,9) Transistor LTC114EUB
 Q 851 (B,77,69) Transistor 2SA1036K
 Q 931 (B,55,95) Transistor 2SC2412K

Q 991 (A,4,113) Transistor 2SD2396
 Q 992 (B,10,104) Transistor UMD2N
 D 301 (A,63,122) Diode 1SR139-400
 D 302 (A,51,122) Diode 1SR139-400
 D 832 (B,71,6) Diode FTZ6R8E

D 851 (B,55,100) Diode DAN202U
 D 901 (A,45,108) Diode 1SR139-400

RESISTORS

R 151 (B,86,93) RAB4C102J
 R 156 (B,87,86) RS1/16S681J
 R 157 (B,91,86) RS1/16S681J
 R 162 (B,135,99) RS1/16S102J
 R 163 (B,102,104) RS1/16S102J

R 201 (B,121,128) RS1/16S103J

5		6		7		8	
<u>Circuit Symbol and No.</u>		<u>Part No.</u>		<u>Circuit Symbol and No.</u>		<u>Part No.</u>	
R 202	(B,128,132)	RS1/16S153J	RS1/16S153J	R 835	(A,58,19)	RD1/4PU222J	RD1/4PU222J
R 203	(B,121,129)	RS1/16S221J	RS1/16S221J	R 837	(A,73,17)	RD1/4PU103J	RD1/4PU103J
R 251	(B,100,104)	RS1/16S223J	RS1/16S223J	R 839	(A,85,12)	RD1/4PU222J	RD1/4PU222J
R 252	(B,134,99)	RS1/16S223J	RS1/16S223J	R 840	(A,82,12)	RD1/4PU222J	RD1/4PU222J
R 301	(B,91,105)	RS1/16S153J	RS1/16S153J	R 841	(B,71,25)	RS1/16S104J	RS1/16S104J
R 404	(B,154,42)	RS1/16S102J	RS1/16S102J	R 851	(B,81,69)	RS1/16S223J	RS1/16S223J
R 405	(B,157,52)	RS1/16S102J	RS1/16S102J	R 852	(B,58,102)	RS1/16S472J	RS1/16S472J
R 406	(B,157,58)	RS1/16S102J	RS1/16S102J	R 853	(B,55,103)	RS1/16S153J	RS1/16S153J
R 407	(B,157,60)	RS1/16S102J	RS1/16S102J	R 854	(B,73,70)	RS1/16S102J	RS1/16S102J
R 408	(B,166,48)	RAB4C104J	RAB4C104J	R 855	(B,77,65)	RS1/16S104J	RS1/16S104J
R 409	(B,157,45)	RS1/16S391J	RS1/16S391J	R 871	(B,14,124)	RS1/16S102J	RS1/16S102J
R 410	(B,157,47)	RS1/16S681J	RS1/16S681J	R 872	(B,16,121)	RS1/16S102J	RS1/16S102J
R 411	(B,157,49)	RS1/16S681J	RS1/16S681J	R 873	(B,136,22)	RS1/16S103J	RS1/16S103J
R 412	(B,157,51)	RS1/16S681J	RS1/16S681J	R 874	(B,136,29)	RS1/16S103J	RS1/16S103J
R 413	(B,157,54)	RS1/16S472J	RS1/16S472J	R 931	(B,102,38)	RS1/16S104J	RS1/16S104J
R 601	(B,121,26)	RS1/16S473J	RS1/16S473J	R 932	(B,58,98)	RS1/16S223J	RS1/16S223J
R 603	(B,104,38)	RS1/16S473J	RS1/16S473J	R 933	(A,66,104)	RD1/4PU102J	RD1/4PU102J
R 606	(B,105,68)	RS1/16S473J	RS1/16S473J	R 934	(B,63,111)	RS1/16S473J	RS1/16S473J
R 608	(B,137,58)	RS1/16S470J	RS1/16S470J	R 935	(B,58,113)	RS1/16S473J	RS1/16S473J
R 610	(B,119,62)	RS1/16S203J	RS1/16S203J	R 991	(A,11,114)	RD1/4PU271J	RD1/4PU271J
R 611	(B,135,69)	RS1/16S182J	RS1/16S182J	CAPACITORS			
R 612	(B,113,73)	RS1/16S563J	RS1/16S563J	C 151	(B,105,99)	CKSRYB224K10	CKSRYB224K10
R 613	(B,138,50)	RS1/16S302J	RS1/16S302J	C 152	(B,130,93)	CKSRYB224K10	CKSRYB224K10
R 615	(B,111,73)	RS1/16S563J	RS1/16S563J	C 153	(B,105,102)	CKSRYB105K10	CKSRYB105K10
R 616	(B,155,38)	RS1/16S104J	RS1/16S104J	C 154	(B,130,96)	CKSRYB105K10	CKSRYB105K10
R 617	(B,133,30)	RS1/16S473J	RS1/16S473J	C 155	(A,122,111)	CEJQ470M10	CEJQ470M10
R 618	(B,144,39)	RS1/16S473J	RS1/16S473J	C 156	(B,130,99)	CKSRYB105K10	CKSRYB105K10
R 619	(B,145,37)	RS1/16S104J	RS1/16S104J	C 157	(B,105,104)	CKSRYB105K10	CKSRYB105K10
R 638	(B,156,86)	RS1/16S273J	RS1/16S273J	C 162	(B,130,101)	CKSRYB105K10	CKSRYB105K10
R 643	(B,155,36)	RS1/16S104J	RS1/16S104J	C 163	(B,105,106)	CKSRYB105K10	CKSRYB105K10
R 644	(B,96,65)	RS1/16S0R0J	RS1/16S0R0J	C 164	(A,116,111)	CEJQ100M16	CEJQ100M16
R 645	(B,97,17)	RS1/16S0R0J	RS1/16S0R0J	C 165	(B,119,110)	CKSRYB104K16	CKSRYB104K16
R 646	(B,156,14)	RS1/16S0R0J	RS1/16S0R0J	C 201	(A,125,132)	CEJQ330M10	CEJQ330M10
R 648	(B,156,72)	RS1/16S0R0J	RS1/16S0R0J	C 253	(B,93,102)	CKSRYB104K16	CKSRYB104K16
R 651	(B,47,29)	RS1/16S104J	RS1/16S104J	C 301	(B,123,120)	CKSQYB474K16	CKSQYB474K16
R 652	(B,47,31)	RS1/16S102J	RS1/16S102J	C 302	(B,118,120)	CKSQYB474K16	CKSQYB474K16
R 653	(B,49,37)	RS1/16S102J	RS1/16S102J	C 303	(B,120,120)	CKSQYB474K16	CKSQYB474K16
R 654	(B,50,34)	RS1/16S221J	RS1/16S221J	C 304	(B,116,120)	CKSQYB474K16	CKSQYB474K16
R 656	(B,103,24)	RS1/16S104J	RS1/16S104J	C 305	(B,122,124)	CKSRYB474K10	CKSRYB474K10
R 657	(B,103,26)	RS1/16S104J	RS1/16S104J	C 306	(B,118,124)	CKSRYB474K10	CKSRYB474K10
R 658	(B,48,34)	RS1/16S104J	RS1/16S104J	C 307	(B,120,124)	CKSRYB474K10	CKSRYB474K10
R 659	(B,103,28)	RS1/16S472J	RS1/16S472J	C 308	(B,116,124)	CKSRYB474K10	CKSRYB474K10
R 660	(B,103,30)	RS1/16S472J	RS1/16S472J	C 309	(B,120,137)	CKSQYB225K10	CKSQYB225K10
R 661	(B,107,26)	RS1/16S221J	RS1/16S221J	C 310	(B,113,142)	CKSQYB225K10	CKSQYB225K10
R 662	(B,107,28)	RS1/16S221J	RS1/16S221J	C 312	(A,97,120)	CEJQ100M16	CEJQ100M16
R 663	(B,107,30)	RS1/16S221J	RS1/16S221J	C 313	(B,97,139)	CKSRYB104K16	CKSRYB104K16
R 664	(B,75,52)	RS1/16S473J	RS1/16S473J	C 402	(B,138,98)	CKSRYB103K50	CKSRYB103K50
R 666	(B,164,28)	RS1/16S103J	RS1/16S103J	C 404	(A,146,95)	CEJQ101M10	CEJQ101M10
R 670	(B,129,22)	RS1/16S473J	RS1/16S473J	C 405	(B,142,98)	CKSRYB103K50	CKSRYB103K50
R 672	(B,106,44)	RS1/16S104J	RS1/16S104J	C 406	(B,166,51)	CCSRCH390J50	CCSRCH390J50
R 673	(B,133,25)	RAB4C104J	RAB4C104J	C 409	(B,157,43)	CCSRCH100D50	CCSRCH100D50
R 674	(B,128,25)	RS1/16S104J	RS1/16S104J	C 601	(B,116,25)	CKSRYB105K10	CKSRYB105K10
R 675	(B,90,57)	RS1/16S473J	RS1/16S473J	C 602	(B,117,28)	CKSRYB103K50	CKSRYB103K50
R 803	(B,83,16)	RS1/16S222J	RS1/16S222J	C 603	(B,120,26)	CKSRYB103K50	CKSRYB103K50
R 821	(B,23,11)	RS1/16S562J	RS1/16S562J	C 605	(B,104,72)	CKSRYB104K16	CKSRYB104K16
R 822	(B,23,9)	RS1/16S103J	RS1/16S103J	C 606	(B,101,54)	CKSRYB103K50	CKSRYB103K50
R 831	(B,32,10)	RS1/16S1R0J	RS1/16S1R0J	C 607	(B,114,53)	CKSRYB103K50	CKSRYB103K50
R 832	(B,82,24)	RS1/16S473J	RS1/16S473J	C 608	(B,91,78)	CKSRYB103K50	CKSRYB103K50
R 833	(A,77,21)	RD1/4PU222J	RD1/4PU222J				
R 834	(A,80,21)	RD1/4PU222J	RD1/4PU222J				

1

Circuit Symbol and No.

C 609 (B,112,70)
 C 610 (A,94,78)
 C 611 (B,112,68)

2

Part No.

CKSRYB331K50
 CEJQ101M6R3
 CKSRYB331K50

3

Circuit Symbol and No.

D 1804 (B,152,17) Diode
 D 1805 (B,146,19) Diode
 D 1806 (A,60,22) White LED

4

Part No.

MALSO68X
 MALSO68X
 NESW505C-5273

A

C 612 (B,117,56)
 C 613 (A,100,56)
 C 614 (B,164,86)
 C 615 (B,121,60)
 C 616 (B,121,67)

CKSRYB103K50
 CEAL101M6R3
 CKSRYB102K50
 CKSRYB331K50
 CKSRYB105K10

D 1807 (A,145,40) LED
 D 1808 (A,148,29) LED
 D 1809 (A,148,19) LED
 D 1810 (A,107,8) LED
 D 1811 (A,120,8) LED

CL-195PG-CD
 CL-195PG-CD
 CL-195PG-CD
 CL-195PG-CD
 CL-195PG-CD

C 617 (B,127,59)
 C 619 (B,140,69)
 C 620 (B,141,55)
 C 621 (B,148,68)
 C 622 (B,138,52)

CKSRYB105K10
 CKSRYB103K50
 CKSRYB105K10
 CKSRYB103K50
 CKSRYB104K16

D 1812 (A,133,8) LED
 D 1813 (A,68,8) LED
 D 1814 (A,81,8) LED
 D 1815 (A,94,8) LED
 D 1816 (A,52,19) LED

CL-195PG-CD
 CL-195PG-CD
 CL-195PG-CD
 CL-195PG-CD
 CL-195PG-CD

B

C 623 (B,130,64)
 C 624 (B,128,64)
 C 625 (B,133,70)
 C 626 (B,127,70)
 C 627 (B,132,77)

CKSRYB102K50
 CKSRYB102K50
 CCSRCH270J50
 CCSRCH270J50
 CCSRCH150J50

D 1817 (A,37,32) LED
 D 1818 (A,25,19) LED
 D 1819 (A,37,5) LED
 D 1820 (A,11,30) LED
 D 1821 (A,11,12) LED

CL-195PG-CD
 CL-195PG-CD
 CL-195PG-CD
 CL-195PG-CD
 CL-195PG-CD

C 628 (B,140,62)
 C 629 (B,133,58)
 C 630 (B,140,67)
 C 631 (B,104,70)
 C 632 (B,126,21)

CKSRYB102K50
 CCSRCH4R0C50
 CCSRCH8R0D50
 CKSRYB223K50
 CKSRYB104K16

X 1801 (B,95,13) Ceramic Resonator 5.00 MHz CSS1731
 S 1801 (A,38,18) Rotary Switch(PWR/VOL) YSD5019
 LCD1801 (A,135,31) LCD CAW1927

RESISTORS

C 633 (B,143,29)
 C 635 (B,144,53)
 C 637 (B,106,75)
 C 640 (B,121,58)
 C 642 (B,105,101)

CKSRYB104K16
 CKSRYB104K16
 CKSRYB103K50
 CKSRYB104K16
 CKSRYB122K50

R 1801 (B,75,6)
 R 1802 (B,79,8)
 R 1803 (B,144,28)
 R 1804 (B,134,23)
 R 1805 (B,73,20)

RS1/16S222J
 RS1/16S222J
 RS1/4SA561J
 RS1/4SA561J
 RS1/4SA561J

C 643 (B,130,97)
 C 646 (B,113,20)
 C 652 (B,29,23)
 C 653 (B,110,31)
 C 821 (B,32,8)

CKSRYB122K50
 CKSRYB103K50
 CKSRYB103K50
 CCSRCH220J50
 CKSRYB104K16

R 1806 (B,50,24)
 R 1807 (B,19,22)
 R 1813 (B,55,23)
 R 1814 (B,26,12)
 R 1833 (B,136,14)

RS1/4SA391J
 RS1/4SA751J
 RS1/4SA821J
 RS1/16S0R0J
 RS1/16S473J

D

C 825 (B,58,6)
 C 826 (B,78,12)
 C 827 (B,67,6)
 C 828 (B,66,6)
 C 829 (B,60,6)

CCSRCH221J50
 CCSRCH221J50
 CCSRCH221J50
 CCSRCH221J50
 CCSRCH221J50

R 1836 (B,136,20)
 R 1837 (B,144,17)
 R 1839 (B,51,20)

RS1/16S101J
 RS1/16S101J
 RS1/16S473J

C 830 (B,62,6)
 C 831 (B,64,6)
 C 871 (B,9,131)
 C 872 (B,17,133)
 C 901 (A,49,112) 3 300 uF/16 V

CKSRYB104K16
 CCSRCH221J50
 CKSRYB103K50
 CKSRYB103K50
 CCH1732

C 1801 (B,112,14) CKSRYB105K10
 C 1810 (B,143,16) CKSRYB472K50
 C 1811 (B,136,19) CKSRYB472K50

B**Unit Number : (110E)****Unit Name : Keyboard Unit****MISCELLANEOUS**

C 911 (A,55,60)
 C 912 (A,45,64)
 C 913 (B,25,69)
 C 914 (A,48,60)
 C 915 (A,43,53)

CEJQ100M16
 CEAT102M16
 CKSRYB104K16
 CEAT221M10
 CEJQ100M16

IC 1801 (B,103,21) IC PD6340A
 D 1803 (B,150,19) Diode MALSO68X
 D 1804 (B,152,17) Diode MALSO68X
 D 1805 (B,146,19) Diode MALSO68X
 D 1806 (A,60,22) White LED NESW505C-5273

C 917 (B,25,75)
 C 991 (B,8,106)
 C 992 (A,8,95)

CKSRYB104K16
 CKSRYB473K25
 CEJQ101M10

D 1807 (A,145,40) LED CL-195SR-CD
 D 1808 (A,148,29) LED CL-195SR-CD
 D 1809 (A,148,19) LED CL-195SR-CD
 D 1810 (A,107,8) LED CL-195SR-CD
 D 1811 (A,120,8) LED CL-195SR-CD

F

MISCELLANEOUS

IC 1801 (B,103,21) IC PD6340A
 D 1803 (B,150,19) Diode MALSO68X

D 1812 (A,133,8) LED CL-195SR-CD

1

2

3

4

5		6	
<u>Circuit Symbol and No.</u>		<u>Part No.</u>	
D 1813	(A,68,8) LED	CL-195SR-CD	
D 1814	(A,81,8) LED	CL-195SR-CD	
D 1815	(A,94,8) LED	CL-195SR-CD	
D 1816	(A,52,19) LED	CL-195SR-CD	
D 1817	(A,37,32) LED	CL-195SR-CD	
D 1818	(A,25,19) LED	CL-195SR-CD	
D 1819	(A,37,5) LED	CL-195SR-CD	
D 1820	(A,11,30) LED	CL-195SR-CD	
D 1821	(A,11,12) LED	CL-195SR-CD	
X 1801	(B,95,13) Ceramic Resonator 5.00 MHz	CSS1731	
S 1801	(A,38,18) Rotary Switch(PWR/VOL)	YSD5019	
LCD1801	(A,135,31) LCD	CAW1927	

RESISTORS

R 1801	(B,75,6)	RS1/16S222J
R 1802	(B,79,8)	RS1/16S222J
R 1803	(B,144,28)	RS1/4SA821J
R 1804	(B,134,23)	RS1/4SA821J
R 1805	(B,73,20)	RS1/4SA821J
R 1806	(B,50,24)	RS1/4SA391J
R 1807	(B,19,22)	RS1/4SA122J
R 1813	(B,55,23)	RS1/4SA821J
R 1814	(B,26,12)	RS1/16S0R0J
R 1833	(B,136,14)	RS1/16S473J
R 1836	(B,136,20)	RS1/16S101J
R 1837	(B,144,17)	RS1/16S101J
R 1839	(B,51,20)	RS1/16S473J

CAPACITORS

C 1801	(B,112,14)	CKSRYB105K10
C 1810	(B,143,16)	CKSRYB472K50
C 1811	(B,136,19)	CKSRYB472K50

C

Unit Number : CWX3090
Unit Name : CD Core Unit(S10.5)

MISCELLANEOUS

IC 201	(A,34,50) IC	PE5497B
IC 301	(A,28,14) IC	BA5839FP
Q 101	(B,57,70) Transistor	2SA1577
Q 102	(B,15,23) Chip Transistor	2SB1689
X 201	(A,27,62) Ceramic Resonator 16.934 MHz	CSS1603

S 901	(A,53,37) Switch(HOME)	CSN1067
S 903	(B,20,58) Switch(DSCSNS)	CSN1067
S 904	(B,39,66) Switch(12EJ)	CSN1068
S 905	(B,25,68) Switch(8EJ)	CSN1068

RESISTORS

R 101	(B,57,73)	RS1/10SR2R4J
R 102	(B,60,73)	RS1/10SR2R4J
R 103	(B,60,70)	RS1/10SR2R7J
R 105	(B,14,26)	RS1/16SS102J
R 106	(B,15,26)	RS1/16SS473J
R 108	(B,58,64)	RS1/16SS105J
R 109	(B,44,59)	RS1/16SS102J
R 214	(A,43,41)	RS1/16SS332J
R 215	(A,42,40)	RS1/16SS183J
R 216	(A,45,48)	RS1/16SS122J

7		8	
<u>Circuit Symbol and No.</u>		<u>Part No.</u>	
R 217	(A,47,45)	RS1/16SS562J	
R 218	(A,47,48)	RS1/16SS472J	
R 232	(A,24,59)	RS1/16SS0R0J	
R 235	(A,36,30)	RS1/16SS103J	
R 236	(A,36,29)	RS1/16SS103J	
R 237	(B,24,47)	RS1/16SS221J	
R 240	(B,20,44)	RS1/16SS473J	
R 242	(A,28,32)	RS1/16SS103J	
R 243	(A,27,32)	RS1/16SS473J	
R 245	(B,23,49)	RS1/16SS104J	

R 246	(A,44,39)	RS1/16SS103J
R 252	(B,23,51)	RS1/16SS104J
R 253	(B,23,50)	RS1/16SS104J
R 254	(B,31,47)	RS1/16SS104J
R 260	(B,21,40)	RS1/16SS103J
R 262	(A,36,31)	RS1/16SS472J
R 263	(A,36,28)	RS1/16SS472J
R 264	(B,26,31)	RS1/16SS102J
R 305	(A,34,19)	RS1/16SS183J
R 306	(A,37,20)	RS1/16SS183J
R 307	(A,35,21)	RS1/16SS183J
R 308	(A,38,23)	RS1/16SS183J
R 601	(A,33,68)	RS1/16SS101J
R 602	(A,32,66)	RS1/16SS101J
R 702	(A,22,41)	RS1/16SS221J
R 706	(B,12,35)	RS1/16SS221J

CAPACITORS

C 103	(B,54,64)	CEVW101M16
C 203	(A,35,60)	CKSSYB104K10
C 205	(B,43,51)	CEVW220M6R3
C 206	(A,32,60)	CKSSYB103K16
C 209	(A,28,60)	CKSRYB104K16
C 210	(A,24,55)	CKSSYB104K10
C 211	(A,24,54)	CKSSYB104K10
C 212	(A,34,40)	CKSSYB104K10
C 213	(A,43,39)	CKSSYB103K16
C 214	(A,42,39)	CKSSYB104K10

C 215	(A,38,40)	CKSSYB104K10
C 216	(A,47,43)	CKSSYB182K50
C 217	(A,47,47)	CCSSCH560J50
C 218	(A,47,49)	CCSSCH5R0C50
C 219	(A,43,47)	CKSSYB104K10

C 220	(B,39,45)	CKSSYB104K10
C 221	(A,43,43)	CKSSYB104K10
C 222	(A,44,50)	CKSSYB104K10
C 223	(A,46,54)	CCSSCH680J50
C 224	(A,44,56)	CCSSCH470J50

C 225	(A,44,60)	CKSSYB103K16
C 229	(B,46,55)	CKSSYB104K10
C 231	(B,33,32)	CKSSYB102K50
C 232	(B,32,29)	CKSSYB102K50
C 233	(B,26,51)	CKSSYB103K16

C 236	(B,38,54)	CKSSYB104K10
C 238	(A,34,66)	CKSRYB104K16
C 240	(A,34,64)	CKSRYB104K16
C 304	(A,35,19)	CKSSYB472K25
C 305	(A,36,22)	CKSSYB223K16

Circuit Symbol and No.

Part No.

C 306	(A,21,10)	CKSRYB105K10
C 705	(B,9,34)	CCSSCH101J50
C 710	(B,10,32)	CKSSYB102K50

A Miscellaneous Parts List

	Pickup Unit(P10.5)(Service)	CXX1942
M 1	Motor Unit(SPINDLE)	CXC7134
M 2	Motor Unit(LOADING/CARRIAGE)	CXC4026

B

C

D

E

F