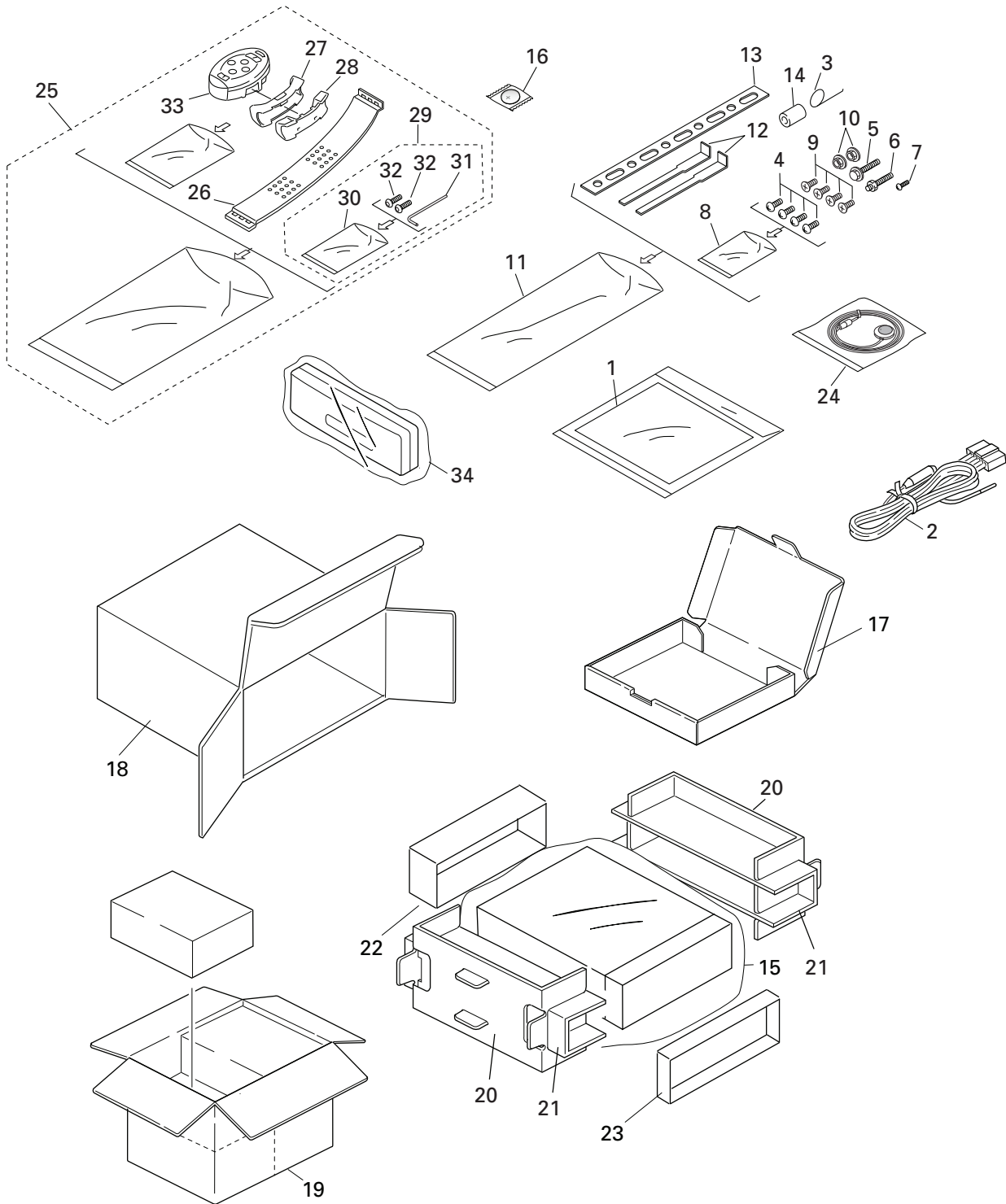


2. EXPLODED VIEWS AND PARTS LIST

2.1 PACKING (DEH-P930, P9300)



NOTE:

- Parts marked by "*" are generally unavailable because they are not in our Master Spare Parts List.
- Screws adjacent to ∇ mark on the product are used for disassembly.

(1) PACKING (DEH-P930, P9300) SECTION PARTS LIST

Mark No.	Description	Part No.	Mark No.	Description	Part No.
	1-1 Owner's Manual	See Contrast table(2)	*	16 Battery	CEX1030
	1-2 Installation Manual	See Contrast table(2)		17 Sub Carton	CHA3167
*	1-3 Caution Card	CRP1244		18 Carton	See Contrast table(2)
*	1-4 Warranty Card	See Contrast table(2)		19 Contain Box	See Contrast table(2)
*	1-5 Card	See Contrast table(2)		20 Protector	CHP2383
	1-6 Polyethylene Bag	CEG1116		21 Protector	CHP2384
	2 Cord Assy	CDE6563		22 Protector	CHP2386
	3 Spring	CBH-865		23 Protector	CHP2430
	4 Screw	BMZ50P060FMC		24 Microphone Assy	CPM1054
	5 Screw	CBA-102		25 Remote Control Assy	CXB6860
	6 Screw	CBA1002		26 Belt	CZN7661
	7 Screw(M2x6)	CBA1120		27 Holder Assy	CZX3172
*	8 Polyethylene Bag	CEG-127		28 Holder Assy	CZX3173
	9 Screw	CMZ50P060FMC		29 Screw Assy	CZE3169
	10 Nut	NF50FMC	*	30 Polyethylene Bag	CEG-127
*	11 Polyethylene Bag	CEG-158	*	31 Hexagonal Wrench	CZE3176
	12 Handle	CNC5395	*	32 Screw	RMZ30H060FBK
	13 Strap	CNC5402		33 Remote Control Assy	CZX3246
	14 Bush	CNV1917		34 Case Assy	CXB3520
	15 Polyethylene Bag	CEG1185			

(2) CONTRAST TABLE

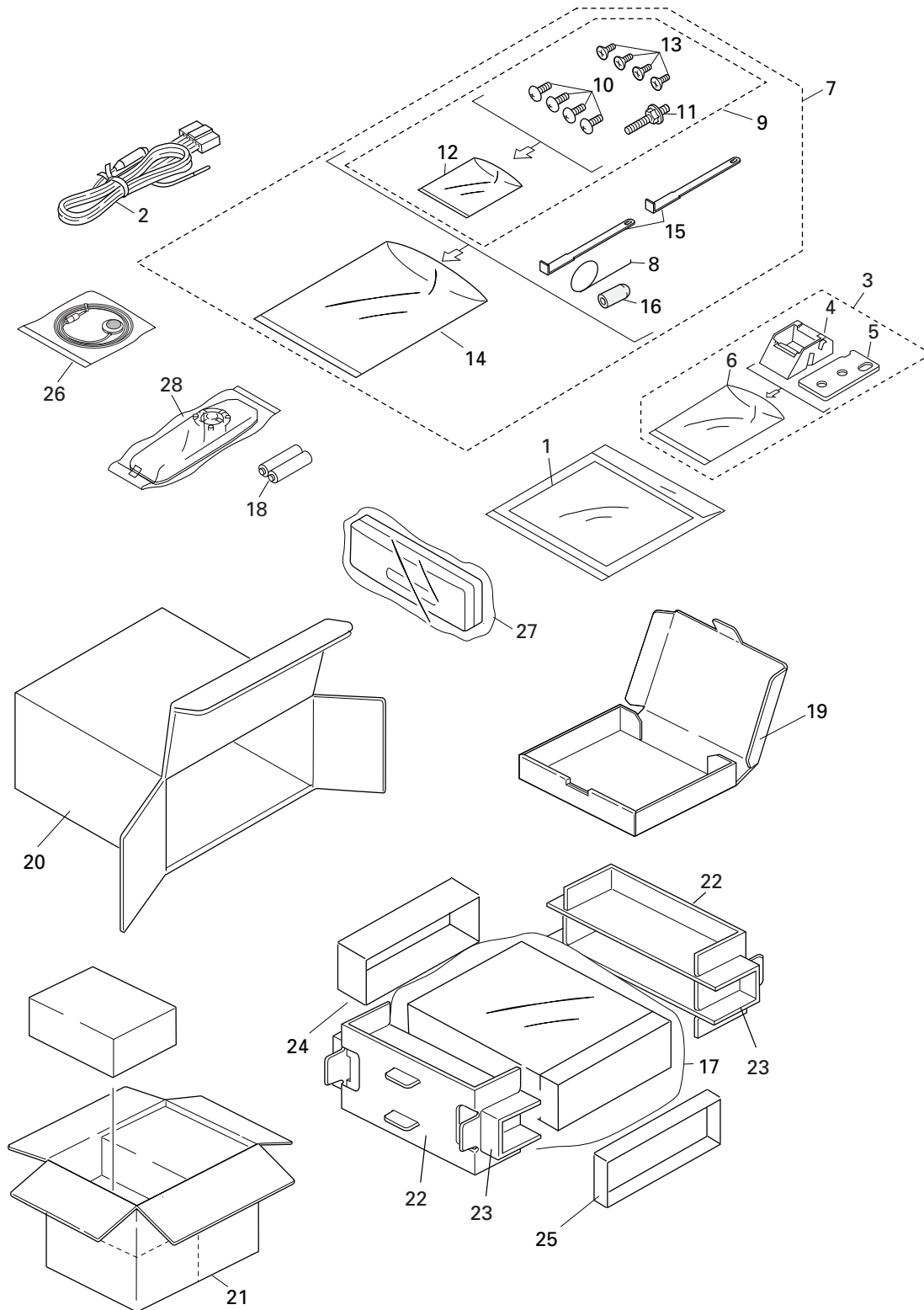
DEH-P930/UC and DEH-P9300/UC are constructed the same except for the following:

Mark No.	Symbol and Description	Part No.	
		DEH-P930/UC	DEH-P9300/UC
	1-1 Owner's Manual	CRD3445	CRD3447
	1-2 Installation Manual	CRD3446	CRD3448
*	1-4 Warranty Card	CRY1070	Not used
*	1-5 Card	Not used	ARY1048
	18 Carton	CHG4414	CHG4413
	19 Contain Box	CHL4414	CHL4413

● Owner's Manual, Installation Manual

Model	Part No.	Language
DEH-P930/UC	CRD3445	English, French
	CRD3446	English, French
DEH-P9300/UC	CRD3447	English, French
	CRD3448	English, French

2.2 PACKING (DEH-P9350)



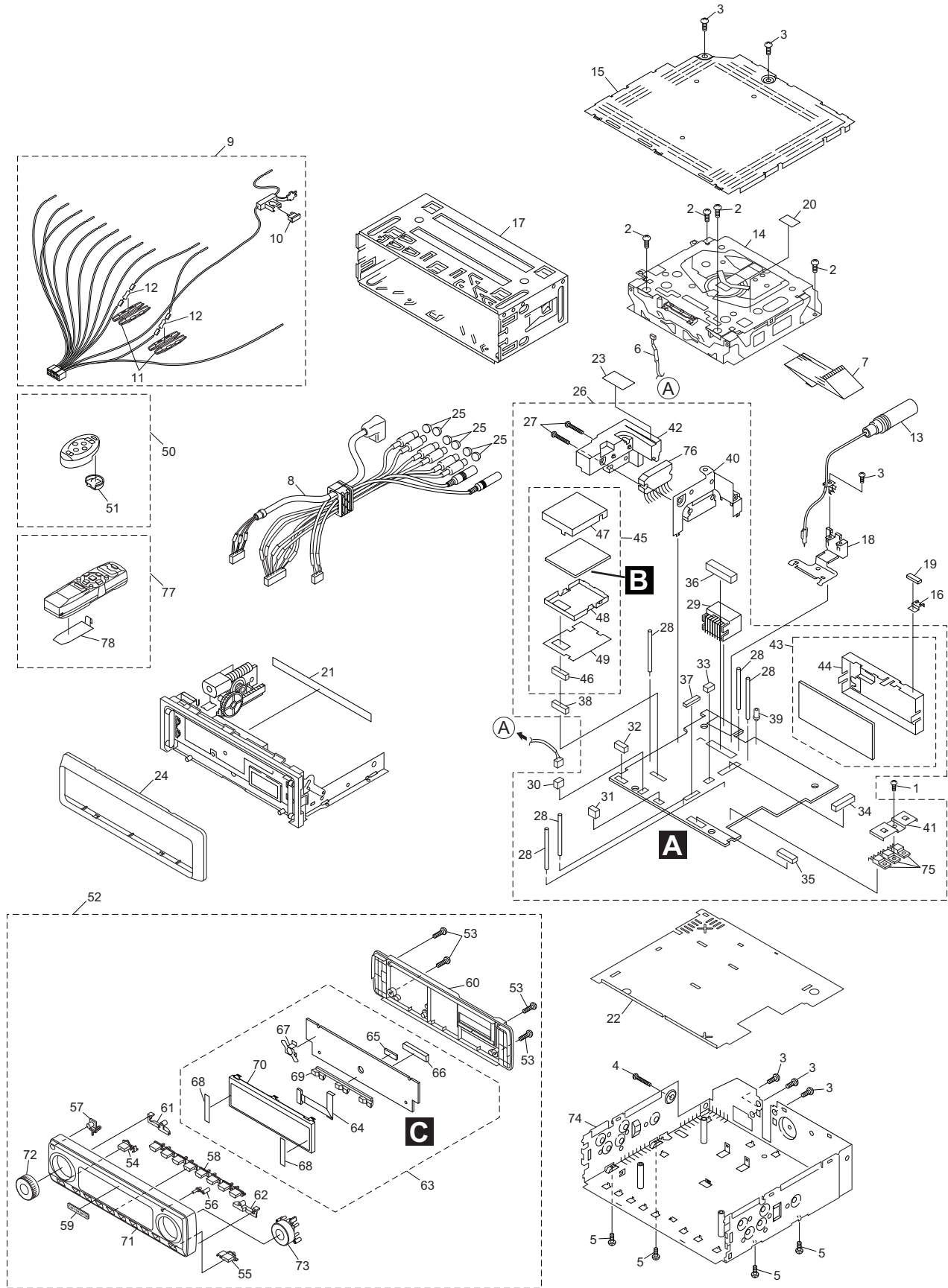
● **PACKING (DEH-P9350) SECTION PARTS LIST**

Mark No.	Description	Part No.	Mark No.	Description	Part No.
	1-1 Owner's Manual	CRB1731		16 Bush	CNV1917
	1-2 Owner's Manual	CRD3449	*	17 Polyethylene Bag	CEG1305
	1-3 Owner's Manual	CRD3450	*	18 Battery	CEX1006
	1-4 Installation Manual	CRD3451		19 Sub Carton	CHA3167
*	1-5 Caution Card	CRP1244		20 Carton	CHG4412
	1-6 Polyethylene Bag	CEG1116		21 Contain Box	CHL4412
	2 Cord Assy	CDE6563		22 Protector	CHP2383
	3 Base Assy	CEA2426		23 Protector	CHP2384
*	4 Base	CNS5031		24 Protector	CHP2386
*	5 Sheet	CZA3371		25 Protector	CHP2430
	6 Polyethylene Bag	CZE3188		26 Microphone Assy	CPM1054
	7 Accessory Assy	CEA2948		27 Case Assy	CXB3520
	8 Spring	CBH-865		28 Remote Control Assy	CXB3875
	9 Screw Assy	CEA2941			
	10 Screw	BMZ50P060FMC			
	11 Screw	CBA1002			
*	12 Polyethylene Bag	CEG-127			
	13 Screw	CMZ50P060FMC			
*	14 Polyethylene Bag	CEG-158			
	15 Handle	CNC5395			

● **Owner's Manual, Installation Manual**

Part No.	Language
CRD3449	English, Spanish
CRD3450	Portuguese(B), Arabic
CRB1731	English
CRD3451	English, Spanish, Portuguese(B), Arabic

2.3 EXTERIOR(1)



(1) EXTERIOR(1) SECTION PARTS LIST

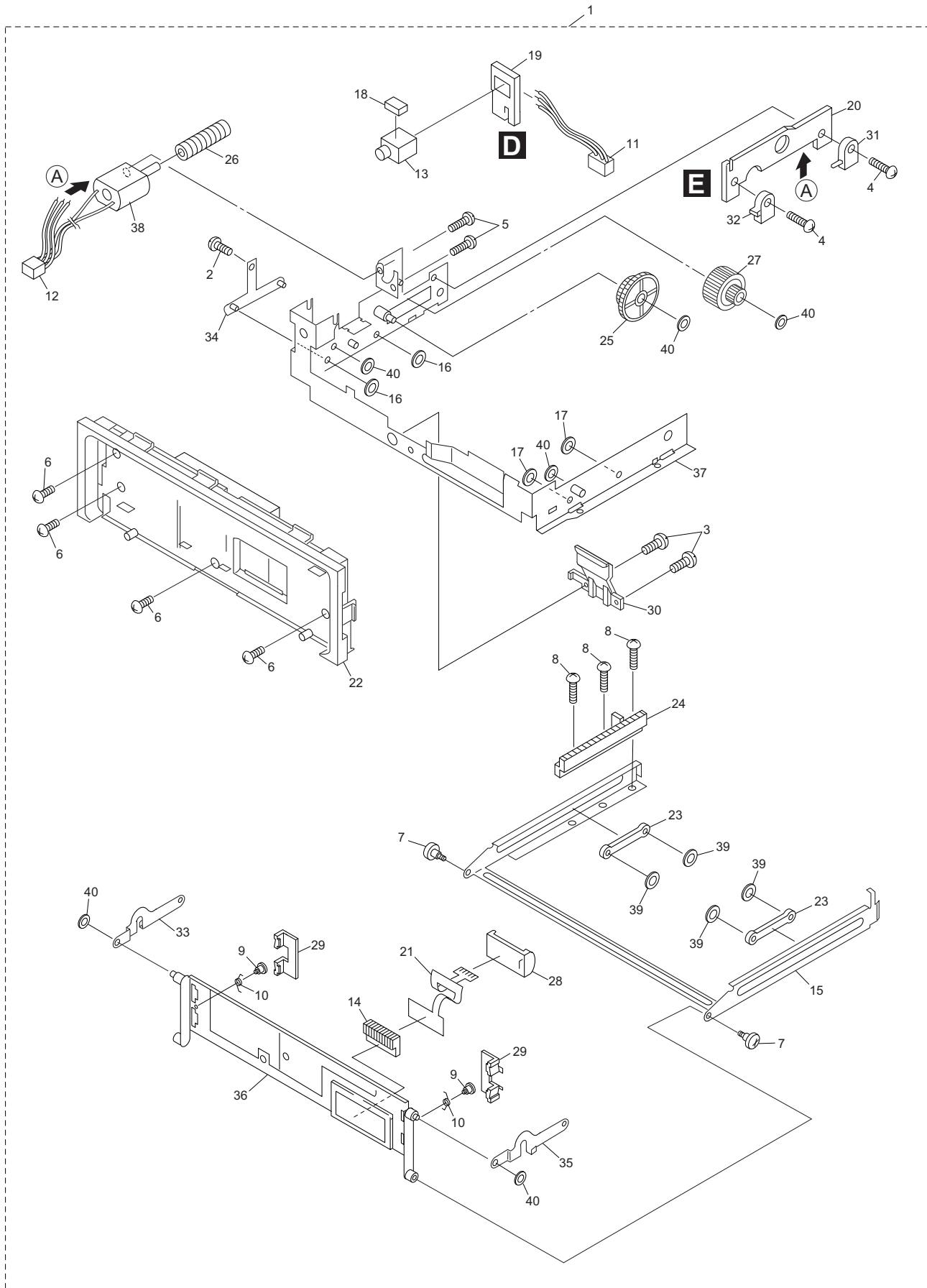
Mark No.	Description	Part No.	Mark No.	Description	Part No.
1	Screw	BMZ26P080FMC	41	Holder	CNC9290
2	Screw	BSZ26P060FMC	42	Heat Sink	CNR1535
3	Screw	BSZ30P050FMC	43	FM/AM Tuner Unit	CWE1563
4	Screw	BSZ30P200FMC	44	Holder	CNC8815
5	Screw(M2x2.5)	CBA1447	45	DSP Unit	CWM7704
6	Cord	CDE5536	46	Connector(CN1501)	CKS4452
7	Connector	CDE6556	47	Holder	CNC9295
8	Cord Assy	CDE6559	48	Holder	CNC9296
9	Cord Assy	CDE6563	49	Insulator	CNM7181
10	Fuse(10A)	CEK1136	50	Remote Control Assy	See Contrast table(2)
11	Cap	CNS1472	51	Cover	See Contrast table(2)
12	Resistor	RS1/2PMF102J	52	Detach Grille Assy	See Contrast table(2)
13	Antenna Cable	CDH1308	53	Screw	BPZ20P080FZK
14	CD Mechanism Module(S9U)	CXK5550	54	Button(SOURCE)	CAC6867
15	Case	CNB2426	55	Button(BAND)	CAC6870
16	Holder	CNC6469	56	Button(RESET)	CAC6872
17	Holder	CNC8659	57	Button(EJECT)	CAC6962
18	Holder	CNC9299	58	Button(Multi-function)	CAC7307
19	Cushion	CNM4870	* 59	Badge	See Contrast table(2)
20	Cushion	CNM6065	60	Cover	CNS6371
21	Cover	CNM6489	61	Lighting Conductor	CNV6557
22	Insulator	CNM7180	62	Lighting Conductor	CNV6674
23	Sheet	CNM7387	63	Keyboard Unit	CWM7713
24	Panel	See Contrast table(2)	64	Connector	CDE6741
25	Cap	CNV6727	65	Connector(CN1902)	CKS3995
26	Tuner Amp Unit	See Contrast table(2)	66	Connector(CN1901)	CKS4435
27	Screw	BMZ26P160FMC	67	Spacer	CNM7409
28	Clamper	CEF1008	68	Spacer	CNM7529
29	Plug(CN901)	CKM1278	69	Lighting Conductor	CNV6554
30	Plug(CN702)	CKS-783	70	OEL Module	MXK8014
31	Plug(CN131)	CKS-784	71	Grille Unit	See Contrast table(2)
32	Plug(CN851)	CKS-786	72	Knob Unit(VOLUME)	CXB7084
* 33	Plug(CN201)	CKS1052	73	Button Unit(▲/▼/◀/▶)	CXB7440
* 34	Plug(CN101)	CKS1058	74	Chassis Unit	CXB7091
35	Connector(CN801)	CKS1536	75	Transistor(Q722, 751, 921)	2SD2396
36	Connector(CN351)	CKS3606	76	IC(IC301)	PAL006A
37	Connector(CN701)	CKS3918	77	Remote Control Assy	See Contrast table(2)
38	Connector(CN251)	CKS4453	78	Battery Cover	See Contrast table(2)
39	Mini Pin Jack(CN451)	CKX1046			
40	Holder	CNC8169			

(2) CONTRAST TABLE

DEH-P930/UC, DEH-P9300/UC and DEH-P9350/ES are constructed the same except for the following:

Mark No.	Symbol and Description	Part No.		
		DEH-P930/UC	DEH-P9300/UC	DEH-P9350/ES
24	Panel	CNS6528	CNS6528	CNS6360
26	Tuner Amp Unit	CWM7699	CWM7700	CWM7701
50	Remote Control Assy	CZX3246	CZX3246	Not used
51	Cover	CZN7655	CZN7655	Not used
52	Detach Grille Assy	CXB7059	CXB7060	CXB7061
* 59	Badge	CAH1755	CAH1754	CAH1754
71	Grille Unit	CXB7075	CXB7076	CXB7077
77	Remote Control Assy	Not used	Not used	CXB3875
78	Battery Cover	Not used	Not used	CNS5032

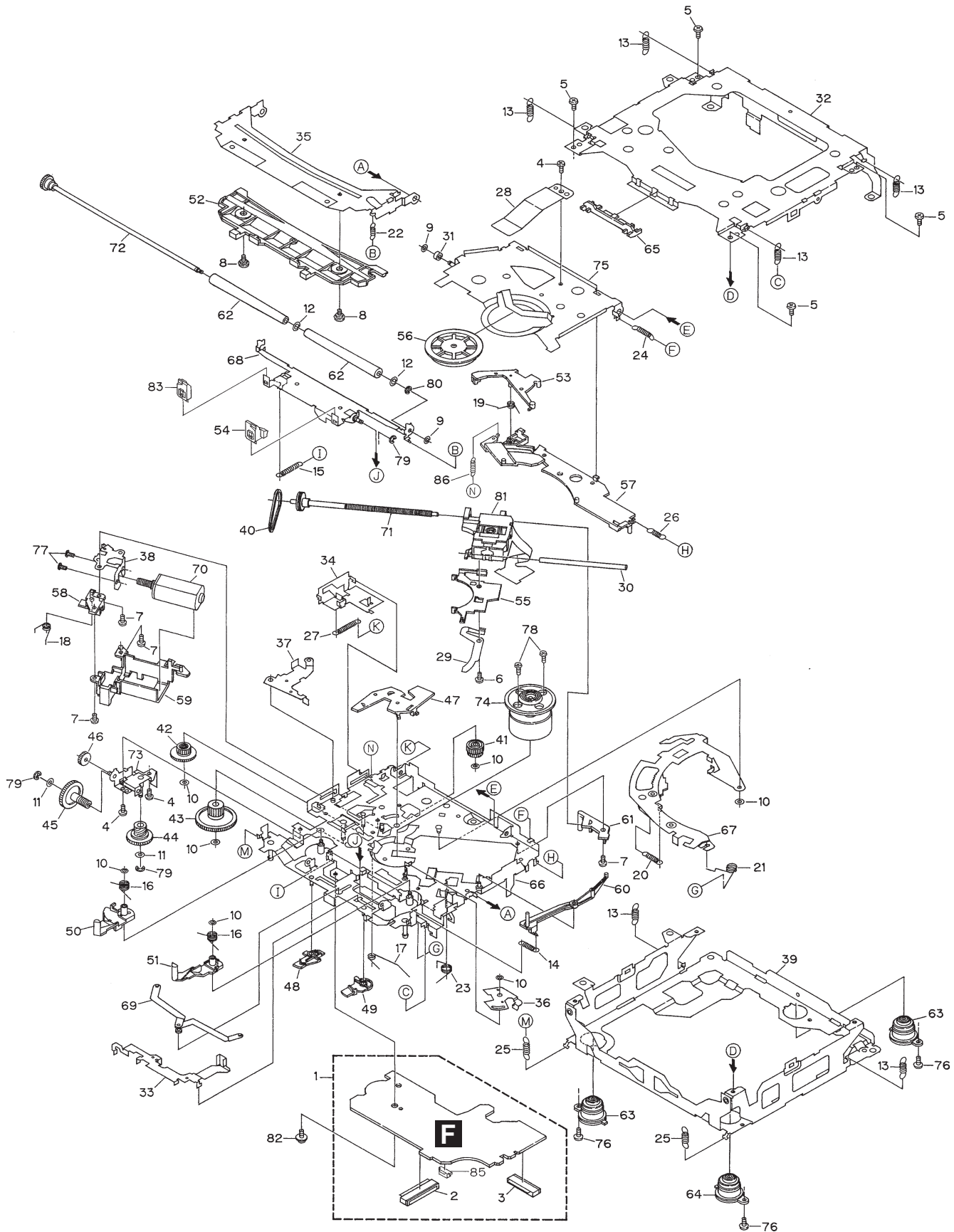
2.4 EXTERIOR(2)



● EXTERIOR(2) SECTION PARTS LIST

Mark No.	Description	Part No.	Mark No.	Description	Part No.
1	Panel Assy	CXB6738	21	PCB	CNP6124
2	Screw	BMZ20P030FMC	22	Panel	CNS6397
3	Screw	BPZ20P060FMC	23	Guide	CNV5696
4	Screw(M2x7)	CBA1060	24	Rack	CNV5697
5	Screw(M2x3)	CBA1061	25	Gear	CNV5698
6	Screw(M2x3)	CBA1154	26	Gear	CNV5761
7	Screw(M2x1.5)	CBA1430	27	Gear Unit	CNV5762
8	Screw(M1.4x4)	CBA1454	28	Cover	CNV6573
9	Screw(M2x1.5)	CBA1528	29	Holder	CNV6575
10	Spring	CBH2445	30	Lighting Conductor	CNV6574
11	Cord	CDE5856	31	Switch(S951)	CSN1012
12	Cord	CDE5960	32	Switch(S952)	CSN1022
13	Mini-jack(CN4602)	CKN1015	33	Arm Unit	CXB3574
14	Connector	CKS4436	34	Bracket Unit	CXB3577
15	Frame	CNC8201	35	Arm Unit	CXB3866
16	Spacer	CNM6155	36	Holder Unit	CXB6726
17	Spacer	CNM6156	37	Frame Unit	CXB6727
18	Spacer	CNM7427	38	Motor(M951)	CXM1085
19	PCB	CNP5341	39	Washer	2-1816-0035-D2-00
20	PCB	CNP5941	40	Washer	2-1821-0045-D2-00

2.5 CD MECHANISM MODULE



● CD MECHANISM MODULE SECTION PARTS LIST

Mark No.	Description	Part No.	Mark No.	Description	Part No.
1	Control Unit	CWX2502	46	Gear	CNV6320
2	Connector(CN701)	CKS1961	47	Arm	CNV6322
3	Connector(CN101)	CKS3486	48	Arm	CNV6323
4	Screw	BMZ20P025FMC	49	Arm	CNV6324
5	Screw	BSZ20P040FMC	50	Arm	CNV6325
6	Screw(M2x4)	CBA1362	51	Arm	CNV6326
7	Screw(M2x3)	CBA1527	52	Guide	CNV6327
8	Screw	CBA1545	53	Arm	CNV6924
9	Washer	CBF1037	54	Guide	CNV6329
10	Washer	CBF1038	55	Rack	CNV6330
11	Washer	CBF1039	56	Clamper	CNV6331
12	Washer	CBF1060	57	Arm	CNV6332
13	Spring	CBH2378	58	Guide	CNV6333
14	Spring	CBH2379	59	Cover	CNV6334
15	Spring	CBH2380	60	Arm	CNV6335
16	Spring	CBH2381	61	Guide	CNV6336
17	Spring	CBH2382	62	Roller	CNV6338
18	Spring	CBH2383	63	Damper	CNV6661
19	Spring	CBH2384	64	Damper	CNV6662
20	Spring	CBH2385	65	Guide	CNV6484
21	Spring	CBH2386	66	Chassis Unit	CXB5898
22	Spring	CBH2387	67	Arm Unit	CXB7983
23	Spring	CBH2390	68	Arm Unit	CXB5900
24	Spring	CBH2391	69	Arm Unit	CXB5901
25	Spring	CBH2392	70	Motor Unit(M2)	CXB5903
26	Spring	CBH2426	71	Screw Unit	CXB5904
27	Spring	CBH2444	72	Gear Unit	CXB5905
28	Spring	CBL1494	73	Bracket Unit	CXB6006
29	Spring	CBL1495	74	Motor Unit(M1)	CXB6007
30	Shaft	CLA3845	75	Arm Unit	CXB6237
31	Roller	CLA3910	76	Screw(M2x5)	EBA1028
32	Frame	CNC8946	77	Screw	JFZ20P020FMC
33	Lever	CNC8948	78	Screw	JGZ17P020FZK
34	Lever	CNC8949	79	Washer	YE15FUC
35	Arm	CNC8951	80	Washer	YE20FUC
36	Arm	CNC9016	81	Pickup Unit(Service)(P9)	CXX1480
37	Arm	CNC9017	82	Screw	IMS26P030FMC
38	Bracket	CNC9123	83	Guide	CNV6832
39	Frame	CNC8947	84	
40	Belt	CNT1086	85	Connector(CN302)	CKS2191
41	Gear	CNV6886	86	Spring	CBH2509
42	Gear	CNV6316			
43	Gear	CNV6317			
44	Gear	CNV6318			
45	Gear	CNV6319			

5. ELECTRICAL PARTS LIST

NOTES:

- Parts whose parts numbers are omitted are subject to being not supplied.
- The part numbers shown below indicate chip components.

Chip Resistor

RS1/OSOOOJ,RS1/OOSOOOJ

Chip Capacitor (except for CQS.....)

CKS....., CCS....., CSZS.....


====Circuit Symbol and No.====Part Name	Part No.	====Circuit Symbol and No.====Part Name	Part No.
A Unit Number : CWM7699(DEH-P930/UC)		Q 931 Transistor	IMX1
Unit Number : CWM7700(DEH-P9300/UC)		Q 932 Transistor	RT1N141C-12
Unit Number : CWM7701(DEH-P9350/ES)		Q 951 Transistor	2SA1235A-12
Unit Name : Tuner Amp Unit		Q 962 Transistor	2SC3052-12
		Q 980 Transistor	IMD2A
MISCELLANEOUS		Q 981 Transistor	2SC3052-12
IC 101 IC	HA12187FP	D 131 Diode	MA3039(L)
IC 141 IC	NJM2068MD	D 141 Diode	UDZ3R9(B)
IC 142 IC	NJM2068MD	D 142 Diode	RB706F-40
IC 201 IC	NJM2068MD	D 271 Diode(P930/UC)	1SS396
IC 221 IC	NJM2068MD	D 272 Diode(P930/UC)	1SS396
			DA204K
IC 251 IC	BA033FP	D 721 Diode	HZS9L(B1)
IC 271 IC	PA2028A	D 752 Diode	HZS6L(B3)
IC 301 IC	PAL006A	D 801 Diode Network	DA204U
IC 601 IC	PD5650A		
IC 851 IC	BA6288FS	D 802 Diode Network	DA204U
		D 803 Diode Network	DA204U
IC 961 IC	S-80735ANDZI	D 804 Diode Network	DA204U
Q 101 Transistor	2SA1235A-12	D 805 Diode	MA3062(M)
Q 102 Transistor	RT1N241C-12	D 810 Diode	HZS9L(C2)
Q 131 Transistor	2SC3052-12		
Q 132 Transistor	IMD2A	D 811 Diode Network	DA204U
		D 814 Diode Network	DA204U
Q 133 Transistor	2SC3052-12	D 815 Diode	HZS11L(A1)
Q 221 Transistor	2SC3326	D 851 Diode	HZS7L(C3)
Q 231 Transistor	2SC3052-12	D 852 Diode	1SS133
Q 232 Transistor	2SA1235A-12		
Q 241 Transistor	2SA1235A-12	D 853 Diode	1SS133
		D 901 Diode	MPG06G-6415G50
Q 242 Transistor	RT1N141C-12	D 902 Diode	MPG06G-6415G50
Q 251 Transistor	RT1N141C-12	D 903 Diode	MPG06G-6415G50
Q 253 Transistor	2SB1198K	D 904 Diode	MPG06G-6415G50
Q 301 Transistor	RT1N241C-12		
Q 351 Transistor(P930/UC)	HN1C03F	D 911 Diode	MPG06G-6415G50
		D 912 Diode	HZS6L(B1)
		D 921 Diode	HZS9L(B3)
Q 352 Transistor(P9300/UC, P9350/ES)	IMH3A	D 931 Diode	HZS7L(A1)
Transistor(P930/UC)	HN1C03F	D 932 Diode	HZS7L(C3)
Transistor(P9300/UC, P9350/ES)	IMH3A		
Q 353 Transistor(P930/UC)	HN1C03F	D 933 Diode	MPG06G-6415G50
Transistor(P9300/UC, P9350/ES)	IMH3A	D 951 Diode	DAN202U
		D 961 Diode	DAN202U
Q 401 Transistor	2SC3052-12	D 971 Diode	DAN202U
Q 721 Transistor	IMD2A	D 981 Diode	DAN202U
Q 722 Transistor	2SD2396		
Q 751 Transistor	2SD2396	D 982 Diode	HZS9L(A2)
Q 752 Transistor	IMD2A	D 983 Diode	MA152K
		ZNR 451 Surge Protector	DSPS-201M-S00B
Q 801 Transistor	2SB808	L 101 Inductor	LCTB3R3K2125
Q 802 Transistor	RT1N141C-12	L 131 Inductor	CTF1388
Q 803 Transistor	2SD2318F5		
Q 804 Transistor	IMD2A	L 221 Inductor	CTF1464
Q 805 Transistor	2SC3052-12	L 251 Inductor	LAU1R0K
		L 252 Ferri-Inductor	LAU2R2K
Q 806 Transistor	2SD1859	L 253 Inductor	CTF1531
Q 807 Transistor	IMD2A	L 254 Inductor	CTF1529
Q 851 Transistor	2SD1760F5		
Q 852 Transistor	RT1P141C-12	L 255 Inductor	CTF1388
Q 853 Transistor	RT1N241C-12	L 271 Ferri-Inductor	LAU101K
		L 401 Inductor	LAU100K
Q 911 Transistor	2SD1760F5	L 402 Inductor	LCTB4R7K2125
Q 912 Transistor	IMD2A	L 404 Ferri-Inductor	LAU2R2K
Q 921 Transistor	2SD2396		
Q 922 Transistor	2SB1238		
Q 923 Transistor	RT1N141C-12		

====Circuit Symbol and No.====Part Name	Part No.	====Circuit Symbol and No.====Part Name	Part No.
L 601 Inductor	LAU100K	R 208	RS1/16S0R0J
L 661 Inductor	LAU100K	R 211	RS1/16S102J
L 801 Inductor	LAU100K	R 212	RS1/16S102J
L 802 Inductor	CTF1489	R 221	RS1/16S152J
L 951 Inductor	CTF1530	R 222	RS1/16S223J
X 601 Radiator 10.00MHz	CSS1475	R 223	RS1/16S103J
IL 801 Lamp 60mA,14V	CEL1690	R 224	RS1/16S105J
VR 141 Semi-fixed 10kΩ(B)	CCP1448	R 225	RS1/16S104J
FU 201 Fuse 200mA	CEK1189	R 226	RS1/16S103J
MIC 141 Microphone	CPM1011	R 227	RS1/16S473J
SP 641 Buzzer	CPV1050	R 228	RS1/16S102J
DSP Unit	CWM7704	R 229	RS1/16S102J
FM/AM Tuner Unit	CWE1563	R 231	RS1/16S271J
		R 232	RS1/16S5601D
		R 233	RS1/16S1001D
RESISTORS			
R 101	RS1/16S101J	R 234	RS1/16S104J
R 102	RS1/16S470J	R 235	RS1/16S104J
R 103	RS1/16S101J	R 236	RS1/16S103J
R 104	RS1/16S222J	R 241	RS1/16S223J
R 105	RS1/16S103J	R 242	RS1/16S103J
R 107	RS1/16S332J	R 243	RS1/16S1302D
R 108	RS1/16S181J	R 244	RS1/16S1002D
R 109	RS1/16S181J	R 251	RS1/16S472J
R 110	RS1/16S223J	R 252	RS1/16S122J
R 111	RS1/16S223J	R 271	RS1/16S103J
R 112	RS1/16S102J	R 272 (P9300/UC, P9350/ES)	RS1/16S0R0J
R 113	RS1/16S102J	R 277	RS1/16S103J
R 115	RS1/16S562J	R 301	RS1/16S103J
R 116	RS1/16S150J	R 302	RS1/16S103J
R 117	RS1/16S0R0J	R 303	RS1/16S103J
R 118	RS1/16S0R0J	R 304	RS1/16S331J
R 119	RS1/16S0R0J	R 351	RS1/16S820J
R 120	RS1/16S0R0J	R 352	RS1/16S820J
R 130	RS1/16S0R0J	R 353	RS1/16S820J
R 131	RS1/16S104J	R 354	RS1/16S820J
R 132	RS1/16S222J	R 355	RS1/16S820J
R 133	RS1/16S103J	R 356	RS1/16S820J
R 134	RS1/16S561J	R 357	RS1/16S223J
R 135	RS1/16S223J	R 358	RS1/16S223J
R 136	RS1/16S473J	R 359	RS1/16S223J
R 137	RS1/16S153J	R 360	RS1/16S223J
R 138	RS1/16S683J	R 361	RS1/16S223J
R 139	RS1/16S682J	R 362	RS1/16S223J
R 140	RS1/16S152J	R 363	RS1/16S103J
R 141	RS1/16S222J	R 364 (P930/UC)	RS1/16S103J
R 142	RS1/16S104J	R 365 (P9300/UC, P9350/ES)	RS1/16S0R0J
R 143	RS1/16S152J	(P930/UC)	RS1/16S103J
R 144	RS1/16S102J	(P9300/UC, P9350/ES)	RS1/16S0R0J
R 145	RS1/16S101J	(P930/UC)	RS1/16S103J
R 146	RS1/16S563J	(P9300/UC, P9350/ES)	RS1/16S0R0J
R 147	RS1/16S103J	R 367 (P930/UC)	RS1/16S103J
R 148	RS1/16S103J	(P9300/UC, P9350/ES)	RS1/16S0R0J
R 149	RS1/16S153J	(P930/UC)	RS1/16S103J
R 150	RS1/16S153J	(P9300/UC, P9350/ES)	RS1/16S0R0J
R 151	RS1/16S223J	R 369	RS1/16S471J
R 152	RS1/16S4702D	R 370	RS1/16S471J
R 154	RS1/16S4702D	R 371	RS1/16S471J
R 155	RS1/16S152J	R 372	RS1/16S471J
R 161	RS1/16S272J	R 373	RS1/16S471J
R 162	RS1/16S272J	R 374	RS1/16S471J
R 163	RS1/16S162J	R 375	RS1/16S0R0J
R 164	RS1/16S162J	R 377	RS1/16S0R0J
R 171	RS1/16S0R0J	R 401	RS1/16S473J
R 172	RS1/16S0R0J	R 402	RS1/16S473J
R 201	RS1/16S102J	R 403	RS1/16S681J
R 202	RS1/16S103J	R 404	RS1/16S681J
R 203	RS1/16S103J	R 409	RS1/16S681J
R 204	RS1/16S103J	R 410	RS1/16S103J
R 205	RS1/16S474J	R 411	RS1/16S681J
R 206	RS1/16S0R0J	R 412	RS1/16S681J

====Circuit Symbol and No.====Part Name	Part No.	====Circuit Symbol and No.====Part Name	Part No.
R 413	RS1/16S681J	R 810	RD1/4PU561J
R 414	RS1/16S473J	R 812	RS1/16S102J
R 415	RS1/16S472J	R 814	RD1/4PU391J
R 416	RS1/16S473J	R 817	RS1/16S473J
R 417	RS1/16S473J	R 818	RS1/16S472J
R 418	RS1/16S473J	R 823	RS1/16S222J
R 419	RS1/16S222J	R 824	RS1/10S1R0J
R 420	RS1/16S222J	R 825	RS1/16S0R0J
R 423	RS1/16S0R0J	R 826	RS1/16S222J
R 424	RS1/16S393J	R 851	RAB4C102J
R 429	RS1/16S0R0J	R 852	RS1/16S102J
R 601	RS1/16S104J	R 853	RS1/16S102J
R 602	RS1/16S102J	R 861	RS1/16S102J
R 603	RS1/16S104J	R 862	RS1/16S102J
R 604	RS1/16S472J	R 911	RS1/16S0R0J
R 605	RS1/16S221J	R 912	RS1/16S821J
R 606	RS1/16S682J	R 913	RS1/16S153J
R 607	RS1/16S221J	R 914	RS1/16S821J
R 608	RS1/16S682J	R 922	RD1/4PU221J
R 609	RS1/16S102J	R 923	RS1/16S223J
R 610	RS1/16S102J	R 924	RD1/4PU272J
R 611	RS1/16S473J	R 925	RS1/16S471J
R 612	RS1/16S473J	R 926	RS1/16S561J
R 613	RS1/16S104J	R 931	RS1/16S472J
R 615	RS1/16S221J	R 932	RS1/16S473J
R 616	RS1/16S682J	R 933	RS1/16S103J
R 617	RS1/16S221J	R 934	RS1/16S473J
R 618	RS1/16S682J	R 935	RS1/16S104J
R 619	RS1/16S221J	R 936	RS1/16S103J
R 620	RS1/16S473J	R 951	RS1/16S153J
R 621	RS1/16S221J	R 952	RS1/16S472J
R 622	RS1/16S682J	R 953	RS1/16S472J
R 623	RS1/16S104J	R 954	RS1/16S102J
R 624	RS1/16S104J	R 961	RS1/16S102J
R 625	RS1/16S473J	R 962	RS1/16S102J
R 626 (P6350/ES)	RS1/16S104J	R 963	RS1/16S473J
R 627 (P630/UC, P6300/UC))	RS1/16S104J	R 964	RS1/16S183J
R 633	RS1/16S0R0J	R 965	RS1/16S222J
R 634	RS1/16S0R0J	R 981	RS1/16S223J
R 635	RS1/16S0R0J	R 982	RS1/16S473J
R 636	RS1/16S0R0J	R 983	RS1/16S103J
R 641	RS1/16S102J	R 984	RS1/16S473J
R 651	RS1/16S473J	R 985	RS1/16S102J
R 701	RS1/16S473J	CAPACITORS	
R 713	RS1/16S102J		
R 715	RS1/16S0R0J	C 131	CCSRCH681J50
R 716	RS1/16S0R0J	C 132	CEJQ101M10
R 717	RS1/16S0R0J	C 133	CKSQYB225K10
R 718	RS1/16S0R0J	C 141	CKSRYF105Z10
R 719	RS1/16S0R0J	C 142	CKSRYB105K10
R 721	RD1/4PU101J	C 143	CKSRYB105K10
R 722	RS1/16S221J	C 144	CCSRCH101J50
R 723	RD1/4PU101J	C 145	CEJQNP4R7M16
R 751	RS1/16S152J	C 146	CKSRYB105K10
R 752	RS1/16S221J	C 147	CEJQNP4R7M16
R 753	RS1/16S182J	C 148	CKSRYB105K10
R 754	RS1/16S0R0J	C 149	CKSRYB104K25
R 801	RS1/16S222J	C 150	CEJQNP100M10
R 802	RS1/16S222J	C 152	CKSRYB474K10
R 803	RS1/16S222J	C 155	CKSRYF105Z10
R 804	RS1/16S103J	C 161	CKSRYB183K25
R 805	RS1/16S222J	C 162	CKSRYB183K25
R 807	RS1/16S1R0J	C 201	CKSRYF224Z16
R 808	RS1/16S103J	C 202	CKSRYB102K50
R 809	RS1/16S103J	C 203	CCSRCH101J50

====Circuit Symbol and No.====Part Name	Part No.	====Circuit Symbol and No.====Part Name	Part No.
C 204	CKSRYB104K25	C 356	CEJQ100M50
C 205	CKSRYB222K50	C 357	CKSRYB222K50
C 206	CKSRYF224Z16	C 358	CKSRYB222K50
C 221	CKSRYB473K25	C 359	CKSRYB222K50
C 222	CKSRYF224Z16	C 360	CKSRYB222K50
C 223	CCSRCH471J50	C 361	CKSRYB222K50
C 224	CKSRYB104K25	C 362	CKSRYB222K50
C 225	CEJQ100M16	C 403	CKSRYB473K25
C 231	CKSRYF224Z16	C 404	CEJQ101M10
C 232	CCSRCH101J50	C 405	CKSRYB103K50
C 241	CEJQ100M16	C 406	CEJQ220M10
C 242	CKSRYB104K25	C 407	CKSQYB103K50
C 243	CEJQ100M16	C 408	CKSRYB223K25
C 244	CKSRYB104K25	C 409	CKSRYB223K25
C 245	CKSQYB225K10	C 411	CKSRYB472K50
C 246	CKSQYB225K10	C 601	CCSRCH180J50
C 247	CKSQYB225K10	C 602	CCSRCH180J50
C 248	CKSQYB225K10	C 603	CCSRCH101J50
C 251	CEJQ220M25	C 604	CKSRYB103K50
C 252	CKSRYF105Z10	C 605	CEJQ4R7M35
C 253	CKSQYB225K10	C 606	CKSQYB225K10
C 254	CKSRYF105Z10	C 701	CCSRCH101J50
C 256	CCSRCH101J50	C 702	CCSRCH101J50
C 257	CCSRCH101J50	C 703	CCSRCH101J50
C 258	CEJQ101M6R3	C 705	CCSRCH101J50
C 259	CEJQ221M6R3	C 721	CKSRYB473K25
C 263	CEJQ470M10	C 722	CKSRYB102K50
C 266	CKSQYB225K10	C 723	CEV101M16
C 269	CCSRCH101J50	C 751	CKSRYB472K50
C 271	CEJQ4R7M35	C 752	CEAL470M10
C 272	CEJQ101M16	C 805	CEJQ101M16
C 273	CASQA3R3M16	C 806	CKSRYB473K25
C 274	CEJQ100M16	C 808	CCSRCH101J50
C 275	CKSYB684K25	C 809	CKSRYB104K25
C 276	CASA220M16	C 810	CEV470M6R3
C 277	CKSRYF105Z10	C 812	CKSRYB103K50
C 278	CEJQ330M25	C 815	CCSRCH101J50
C 279	CEJQ330M25	C 816	CCSRCH101J50
C 280 (P930/UC)	CEJQ330M25	C 817	CCSRCH101J50
C 281 (P930/UC)	CEJQ330M25	C 818	CEJQ330M16
C 283	CKSRYB105K10	C 819	CCSRCH101J50
C 284	CKSRYB105K10	C 851	CKSRYB102K50
C 285	CKSRYB105K10	C 852	CKSRYB104K25
C 286	CKSRYB105K10	C 853	CEJQ220M10
C 287	CKSRYB105K10	C 855	CKSRYB102K50
C 288	CKSRYB105K10	C 856	CCSRCH101J50
C 301	CKSRYB474K10	C 857	CCSRCH101J50
C 302	CKSRYB474K10	C 911	CCH1331
C 303	CKSRYB474K10	C 912	CKSRYB472K50
C 304	CKSRYB474K10	C 913	CKSRYB103K50
C 306	CEHAR330M10	C 914	CEAL470M10
C 307 3300µF/16V	CCH1330	C 915	CCH1331
C 308	CKSRYB104K25	C 921	CEAT331M10
C 309	CEHAR100M16	C 922	CKSRYB103K50
C 310	CKSQYB225K10	C 923	CEV101M16
C 311	CKSRYB474K10	C 931	CKSRYB104K25
C 312	CKSRYB474K10	C 932	CKSRYB104K25
C 313	CKSRYB474K10	C 962	CKSRYB104K25
C 314	CKSRYB474K10	C 963	CKSRYB105K10
C 315	CKSQYB225K10		
C 351	CEJQ100M50		
C 352	CEJQ100M50		
C 353	CEJQ100M50		
C 354	CEJQ100M50		
C 355	CEJQ100M50		

====Circuit Symbol and No.====Part Name	Part No.	====Circuit Symbol and No.====Part Name	Part No.
B Unit Number : CWM7704		R 1574	RS1/16S473J
Unit Name : DSP Unit		R 1575	RS1/16S473J
MISCELLANEOUS		R 1576	RS1/16S102J
IC 1501 IC	PD5654A	R 1577	RS1/16S102J
IC 1502 IC	PDG262A	R 1578	RS1/16S102J
IC 1503 IC	TC7SET08FU	R 1579	RS1/16S0R0J
IC 1504 IC	TC74VHC126FT	R 1603	RS1/16S103J
IC 1601 IC	PML011A	R 1604	RS1/16S0R0J
		R 1606	RS1/16S103J
		R 1607	RS1/16S153J
IC 1602 IC	NJM4558MD	R 1608	RS1/16S682J
IC 1603 IC	NJM4558MD	R 1609	RAB4C0R0J
IC 1604 IC	NJM4558MD	R 1610	RS1/16S0R0J
IC 1605 IC	NJM4558MD	R 1611	RS1/16S0R0J
Q 1601 Transistor	DTC124EU	R 1621	RS1/16S223J
L 1501 Inductor	CTF1379	R 1622	RS1/16S472J
L 1531 Inductor	CTF1379	R 1623	RS1/16S223J
L 1532 Inductor	CTF1379	R 1624	RS1/16S472J
L 1533 Inductor	CTF1379	R 1625	RS1/16S103J
L 1534 Inductor	CTF1379	R 1626	RS1/16S103J
L 1535 Inductor	CTF1379	R 1627	RS1/16S103J
L 1536 Inductor	CTF1379	R 1628	RS1/16S103J
L 1537 Inductor	CTF1379	R 1629	RS1/16S474J
L 1538 Inductor	CTF1379	R 1630	RS1/16S474J
L 1539 Inductor	CTF1379	R 1631	RS1/16S474J
L 1541 Inductor	LCTA151J3225	R 1632	RS1/16S222J
L 1571 Inductor	CTF1389	R 1633	RS1/16S333J
L 1572 Inductor	CTF1379	R 1634	RS1/16S273J
L 1573 Inductor	CTF1409	R 1635	RS1/16S183J
L 1574 Inductor	CTF1379	R 1636	RS1/16S273J
X 1501 Radiator 10.00MHz	CSS1428	R 1637	RS1/16S474J
X 1502 Radiator 16.9344MHz	CSS1463	R 1638	RS1/16S222J
RESISTORS		R 1639	RS1/16S333J
R 1501	RS1/16S473J	R 1640	RS1/16S273J
R 1504	RAB4C681J	R 1641	RS1/16S183J
R 1505	RS1/16S102J	R 1642	RS1/16S273J
R 1506	RS1/16S102J	R 1643	RS1/16S474J
R 1507	RS1/16S105J	R 1644	RS1/16S222J
		R 1645	RS1/16S333J
		R 1646	RS1/16S273J
R 1508	RS1/16S102J		
R 1510	RS1/16S471J	R 1647	RS1/16S183J
R 1511	RS1/16S102J	R 1648	RS1/16S273J
R 1512	RAB4C473J	R 1649	RS1/16S474J
R 1513	RS1/16S222J	R 1650	RS1/16S222J
		R 1651	RS1/16S333J
R 1514	RAB4C681J		
R 1515	RS1/16S104J	R 1652	RS1/16S273J
R 1516	RAB4C471J	R 1653	RS1/16S183J
R 1517	RS1/16S473J	R 1654	RS1/16S273J
R 1518	RS1/16S102J	R 1655	RS1/16S474J
		R 1656	RS1/16S222J
R 1519	RS1/16S473J		
R 1520	RS1/16S102J	R 1657	RS1/16S333J
R 1521	RS1/16S222J	R 1658	RS1/16S273J
R 1522	RS1/16S222J	R 1659	RS1/16S183J
R 1523	RS1/16S104J	R 1660	RS1/16S273J
		R 1661	RS1/16S474J
R 1524	RS1/16S102J		
R 1525	RS1/16S102J	R 1662	RS1/16S222J
R 1526	RS1/16S473J	R 1663	RS1/16S333J
R 1527	RS1/16S221J	R 1664	RS1/16S273J
R 1528	RS1/16S102J	R 1665	RS1/16S183J
		R 1666	RS1/16S273J
R 1530	RS1/16S473J		
R 1531	RS1/16S225J	R 1667	RS1/16S472J
R 1532	RS1/16S331J	R 1668	RS1/16S104J
R 1533	RS1/16S155J	R 1669	RS1/16S102J
R 1534	RAB4C221J	R 1670	RS1/16S473J
		R 1671	RS1/16S0R0J
R 1535	RS1/16S221J		
R 1536	RS1/16S221J		
R 1571	RS1/16S221J		
R 1572	RS1/16S473J		
R 1573	RS1/16S473J		

====Circuit Symbol and No.====Part Name	Part No.	====Circuit Symbol and No.====Part Name	Part No.
CAPACITORS			
C 1532	CKSRYP102K50	C 1643	CCSRCH151J50
C 1533	CSZSQ4R7M10	C 1644	CKSQYB225K10
C 1534	CKSRYP104K25	C 1645	CCSRCH221J50
C 1535	CKSQYB225K10	C 1646	CCSRCH151J50
C 1537	CKSQYB225K10	C 1647	CCSRCH151J50
C 1539	CKSRYP105K10	C 1648	CKSQYB225K10
C 1540	CKSRYP105K10	C 1649	CKSQYB225K10
C 1541	CKSRYP105K10	C 1650	CKSQYB225K10
C 1542	CKSRYP105K10	C 1651	CCSRCH221J50
C 1543	CKSRYP105K10	C 1652	CCSRCH151J50
C 1544	CKSRYP105K10	C 1653	CCSRCH151J50
C 1545	CKSRYP104K25	C 1654	CKSQYB225K10
C 1546	CKSRYP104K25	C 1655	CCSRCH221J50
C 1547	CKSRYP104K25	C 1656	CCSRCH151J50
C 1548	CKSRYP104K25	C 1657	CCSRCH151J50
C 1549	CKSRYP104K25	C 1658	CKSQYB225K10
C 1550	CKSRYP104K25	C 1659	CKSQYB225K10
C 1551	CKSRYP104K25	C 1660	CKSQYB225K10
C 1552	CKSRYP104K25	C 1661	CKSRYP105K10
C 1553	CKSRYP104K25		
C 1554	CKSRYP104K25		
C 1555	CKSRYP104K25		
C 1556	CCSRCH180J50		
C 1557	CCSRCH180J50		
C 1558	CSZSQ4R7M10		
C 1560	CKSRYP104K25		
C 1561	CKSRYP104K25		
C 1562	CSZSQ4R7M10		
C 1563	CKSRYP104K25		
C 1564	CKSRYP104K25		
C 1572	CCSRCH270J50		
C 1573	CCSRCH100D50		
C 1574	CKSRYP103K50		
C 1575	CCSRCH101J50		
C 1601	CKSRYP104K25		
C 1602	CSZSR100M10		
C 1606	CKSRYP105Z10		
C 1611	CKSRYP105Z10		
C 1612	CKSRYP105Z10		
C 1613	CKSQYB225K10		
C 1614	CKSRYP104K25		
C 1616	CKSRYP472K50		
C 1617	CKSRYP472K50		
C 1618	CSZSR100M10		
C 1619	CKSRYP105Z10		
C 1621	CKSRYP102K50		
C 1622	CCSRCH221J50		
C 1623	CKSRYP102K50		
C 1624	CCSRCH221J50		
C 1625	CKSRYP105K10		
C 1626	CKSRYP105K10		
C 1628	CSZSR100M16		
C 1629	CSZSR100M16		
C 1631	CCSRCH221J50		
C 1632	CCSRCH151J50		
C 1633	CCSRCH151J50		
C 1634	CKSQYB225K10		
C 1635	CCSRCH221J50		
C 1636	CCSRCH151J50		
C 1637	CCSRCH151J50		
C 1638	CKSQYB225K10		
C 1639	CKSQYB225K10		
C 1640	CKSQYB225K10		
C 1641	CCSRCH221J50		
C 1642	CCSRCH151J50		
		 Unit Number : CWM7713 Unit Name : Keyboard Unit	
		MISCELLANEOUS	
		IC 1901	RS-140
		IC 1902	PD5657A
		IC 1903	S-80734ANDYI
		IC 1905	PD8080A
		IC 1906	PD6363A
		IC 1907	PD3428A
		Q 1901	IMD2A
		Q 1902	IMD2A
		Q 1903	2SC4154-11
		Q 1904	2SC4154-11
		D 1901	DAP202U
		D 1902	DAN202U
		D 1905	MA110
		D 1906	DAN202U
		D 1907	UDZ13(B)
		D 1908	DTZ3R9(A)
		D 1909	CL170UBX
		D 1910	CL170UBX
		D 1911	CL170UBX
		D 1912	CL170UBX
		D 1913	CL170UBX
		D 1914	CL170UBX
		D 1915	CL170UBX
		D 1916	CL170UBX
		D 1917	CL170UBX
		D 1918	CL170UBX
		L 1901	CTF1295
		L 1902	CTF1484
		L 1903	LCTB4R7K1608
		L 1904	LCTB2R2K3216
		L 1905	LCTB2R2K3216
		L 1906	LCTB2R2K3216
		L 1907	CTF1421
		L 1908	CTF1421
		L 1909	CTF1421
		L 1910	CTF1421
		L 1911	LCTB2R2K3216
		L 1912	CTF1530
		L 1913	CTF1421
		L 1914	CTF1421
		L 1915	CTF1421
		L 1916	CTF1421
		L 1917	CTF1421
		L 1918	CTF1421
		L 1919	CTF1421

====Circuit Symbol and No.====	Part Name	Part No.
L 1920	Inductor-Array	CTF1421
L 1921	Inductor	CTF1379
L 1922	Inductor	CTF1409
L 1923	Inductor	CTF1379
L 1924	Inductor	CTF1379
L 1925	Inductor	CTF1295
L 1926	Inductor	CTF1295
L 1927	Inductor	CTF1295
L 1928	Inductor	LCTB8R2K1608
L 1929	Inductor	CTF1388
X 1901	Ceramic Resonator 20MHz	CSS1491
S 1901	Push Switch	CSG1111
S 1902	Push Switch	CSG1111
S 1903	Push Switch	CSG1111
S 1904	Push Switch	CSG1111
S 1905	Push Switch	CSG1111
S 1906	Push Switch	CSG1111
S 1907	Push Switch	CSG1111
S 1908	Push Switch	CSG1111
S 1909	Push Switch	CSG1111
S 1910	Push Switch	CSG1111
S 1911	Push Switch	CSG1111
S 1912	Push Switch	CSG1111
S 1913	Push Switch	CSG1111
S 1914	Push Switch	CSG1111
S 1916	Push Switch	CSG1145
S 1917	Push Switch OEL Module	CSG1111 MXK8014

RESISTORS

R 1901	RS1/16S222J
R 1902	RS1/16S222J
R 1905	RS1/16S103J
R 1906	RS1/16S121J
R 1907	RS1/16S2R2J
R 1908	RS1/16S222J
R 1913	RAB4C102J
R 1915	RS1/16S473J
R 1916	RS1/16S102J
R 1917	RS1/16S104J
R 1918	RS1/16S0R0J
R 1919	RS1/16S101J
R 1920	RS1/16S101J
R 1923	RS1/16S101J
R 1924	RS1/16S473J
R 1925	RS1/16S101J
R 1927	RS1/16S101J
R 1933	RAB4C102J
R 1934	RAB4C473J
R 1936	RS1/16S473J
R 1937	RS1/16S473J
R 1938	RS1/16S473J
R 1939	RS1/16S473J
R 1940	RS1/16S102J
R 1941	RS1/16S221J
R 1942	RS1/16S223J
R 1943	RS1/16S223J
R 1945	RS1/16S470J
R 1947	RS1/16S470J
R 1949	RS1/16S470J
R 1951	RS1/16S470J
R 1952	RS1/16S331J
R 1953	RS1/16S331J
R 1955	RS1/16S470J
R 1960	RS1/16S560J
R 1961	RS1/16S560J
R 1962	RS1/16S560J
R 1963	RS1/16S560J
R 1964	RS1/16S331J
R 1965	RS1/16S331J

====Circuit Symbol and No.====	Part Name	Part No.
R 1966		RS1/16S560J
R 1967		RS1/16S0R0J

CAPACITORS

C 1901		CSZSR100M10
C 1902		CKSRYP105Z10
C 1904		CSZSR100M10
C 1906	4.7µF/25V	CCG1111
C 1908		CSZSR100M16
C 1909		CKSRYP105K10
C 1911		CKSRYP104K25
C 1916		CKSRYP103K50
C 1917		CSZSR100M10
C 1918		CKSRYP103K50
C 1920		CKSRYP103K50
C 1921		CSZSR100M16
C 1922		CKSRYP103K50
C 1923		CSZSR100M10
C 1924		CCSRCH101J50
C 1925		CKSRYP102K50
C 1926		CSZSR100M10
C 1930		CCSRCH101J50
C 1931		CCSRCH101J50
C 1932		CKSRYP104K25
C 1933		CKSRYP104K25
C 1934		CKSRYP104K25
C 1935		CKSRYP104K25
C 1936		CKSRYP104K25
C 1937		CKSRYP104K25
C 1938		CKSRYP104K25
C 1939		CKSRYP104K25
C 1940		CKSRYP104K25
C 1941		CKSRYP104K25
C 1943		CKSRYP104K25
C 1949		CKSRYP103K50
C 1952		CCSRCH101J50
C 1953		CCSRCH101J50
C 1956		CCSRCH101J50
C 1957		CCSRCH101J50
C 1963		CCSRCH101J50
C 1964		CCSRCH101J50
C 1965		CKSRYP104K25

E Unit Number :
Unit Name : Switch PCB

S 951	Switch(CLOSE)	CSN1012
S 952	Switch(OPEN)	CSN1022

F Unit Number : CWX2502
Unit Name : Control Unit

MISCELLANEOUS

IC 101	IC	TA2153FN
IC 201	IC	TC9495F2
IC 401	IC	BA5996FM
IC 601	IC	PE5193A
IC 701	IC	BA05SFP
Q 101	Transistor	2SD1664
Q 102	Transistor	UMD2N
Q 601	Transistor	UN2111
L 201	Inductor	CTF1546
L 202	Inductor	CTF1546
L 318	Inductor	CTF1306
L 319	Inductor	CTF1306
L 320	Inductor	CTF1306
TH 601	Thermistor	CCX1037
X 601	Ceramic Resonator 25MHz	CSS1510

====Circuit Symbol and No.====Part Name	Part No.	====Circuit Symbol and No.====Part Name	Part No.
S 901 Spring Switch(HOME)	CSN1051	R 702	RS1/16S681J
S 902 Spring Switch(CLAMP)	CSN1052	R 703	RS1/16S681J
S 903 Spring Switch(DSCSNS)	CSN1051	R 704	RS1/16S681J
S 904 Spring Switch(12EJ)	CSN1052	R 705	RS1/16S681J
S 905 Spring Switch(8EJ)	CSN1051	R 706	RS1/16S102J
RESISTORS		R 901	RS1/16S104J
R 101	RS1/16S222J	R 902	RS1/16S473J
R 102	RS1/8S120J	R 903	RS1/16S273J
R 103	RS1/8S100J	CAPACITORS	
R 201	RS1/16S513J	C 101	CEV470M6R3
R 202	RS1/16S513J	C 102	CKSRYB102K50
R 203	RS1/16S823J	C 103	CKSRYB104K16
R 204	RS1/16S823J	C 104	CKSRYB224K16
R 206	RS1/16S823J	C 105	CEV470M6R3
R 208	RS1/16S124J	C 106	CKSRYB104K16
R 209	RS1/16S183J	C 107	CKSRYB105K6R3
R 210	RS1/16S153J	C 201	CKSRYB104K16
R 211	RS1/16S103J	C 202	CCSRCH560J50
R 212	RS1/16S103J	C 204	CKSRYB224K16
R 213	RS1/16S124J	C 205	CKSRYB224K16
R 215	RS1/16S0R0J	C 206	CKSRYB273K25
R 216	RS1/16S471J	C 207	CKSRYB273K25
R 301	RS1/16S333J	C 208	CKSRYB104K16
R 302	RS1/16S332J	C 209	CKSRYB104K16
R 303	RS1/16S332J	C 210	CCSRCK2R0C50
R 304	RS1/16S514J	C 211	CCSRCH220J50
R 305	RS1/16S392J	C 301	CKSRYB153K25
R 308	RS1/16S221J	C 302	CKSRYB104K16
R 309	RS1/16S221J	C 303	CKSRYB103K50
R 310	RS1/16S221J	C 304	CKSRYB103K50
R 312	RS1/16S103J	C 305	CKSRYB104K16
R 313	RS1/16S473J	C 306	CKSRYB104K16
R 315	RS1/16S334J	C 307	CKSRYB333K16
R 323	RS1/16S0R0J	C 308	CKSRYB104K16
R 324	RS1/16S332J	C 309	CKSRYB473K16
R 326	RS1/16S0R0J	C 310	CKSRYB473K16
R 401	RS1/16S684J	C 311	CKSRYB104K16
R 402	RS1/16S103J	C 312	CKSRYB104K16
R 403	RS1/16S103J	C 313	CKSRYB104K16
R 404	RS1/16S183J	C 314	CKSRYB221K50
R 405	RS1/16S123J	C 317	CKSRYB104K16
R 407	RS1/16S622J	C 318	CKSRYB104K16
R 408	RS1/16S622J	C 319	CKSRYB104K16
R 409	RS1/16S113J	C 320	CCSRCH470J50
R 410	RS1/16S752J	C 325	CKSRYB471K50
R 601	RS1/16S102J	C 328	CKSRYB472K50
R 602	RS1/16S102J	C 329	CKSRYB104K16
R 603	RS1/16S102J	C 401	CKSRYB221K50
R 604	RS1/16S102J	C 402	CKSRYB221K50
R 606	RS1/16S102J	C 403	CKSRYB153K25
R 607	RS1/16S473J	C 404	CKSRYB103K50
R 608	RS1/16S223J	C 405	CEV101M10
R 609	RN1/16SE1302D	C 601	CKSRYB103K50
R 610	RS1/16S104J	C 602	CKSRYB472K50
R 611	RS1/16S222J	C 604	CKSRYB471K50
R 612	RS1/16S103J	C 605	CKSRYB104K16
R 615	RS1/16S104J	C 606	CKSRYB104K16
R 616	RS1/16S0R0J	C 607	CKSRYB104K16
R 618	RS1/16S102J	C 608	CKSRYB104K16
R 619	RS1/16S102J	C 701	CKSRYB104K16
R 620	RS1/16S102J	C 801	CCH1349
R 621	RS1/16S102J	C 802	CEV101M10
R 622	RS1/16S102J	C 803	CKSRYB224K16
R 623	RS1/16S102J	Miscellaneous Parts List	
R 625	RS1/16S104J	M 1	PU Unit
R 701	RS1/16S681J	M 2	Motor Unit(SPINDLE)
		M 951	Motor Unit(LOADING/CARRIAGE)
			Motor(AUTOMATIC FLAP)
			CXX1480
			CXB6007
			CXB5903
			CXM1085