

9. EXPLODED VIEWS AND PARTS LIST

NOTES: ● Parts marked by "NSP" are generally unavailable because they are not in our Master Spare Parts List.

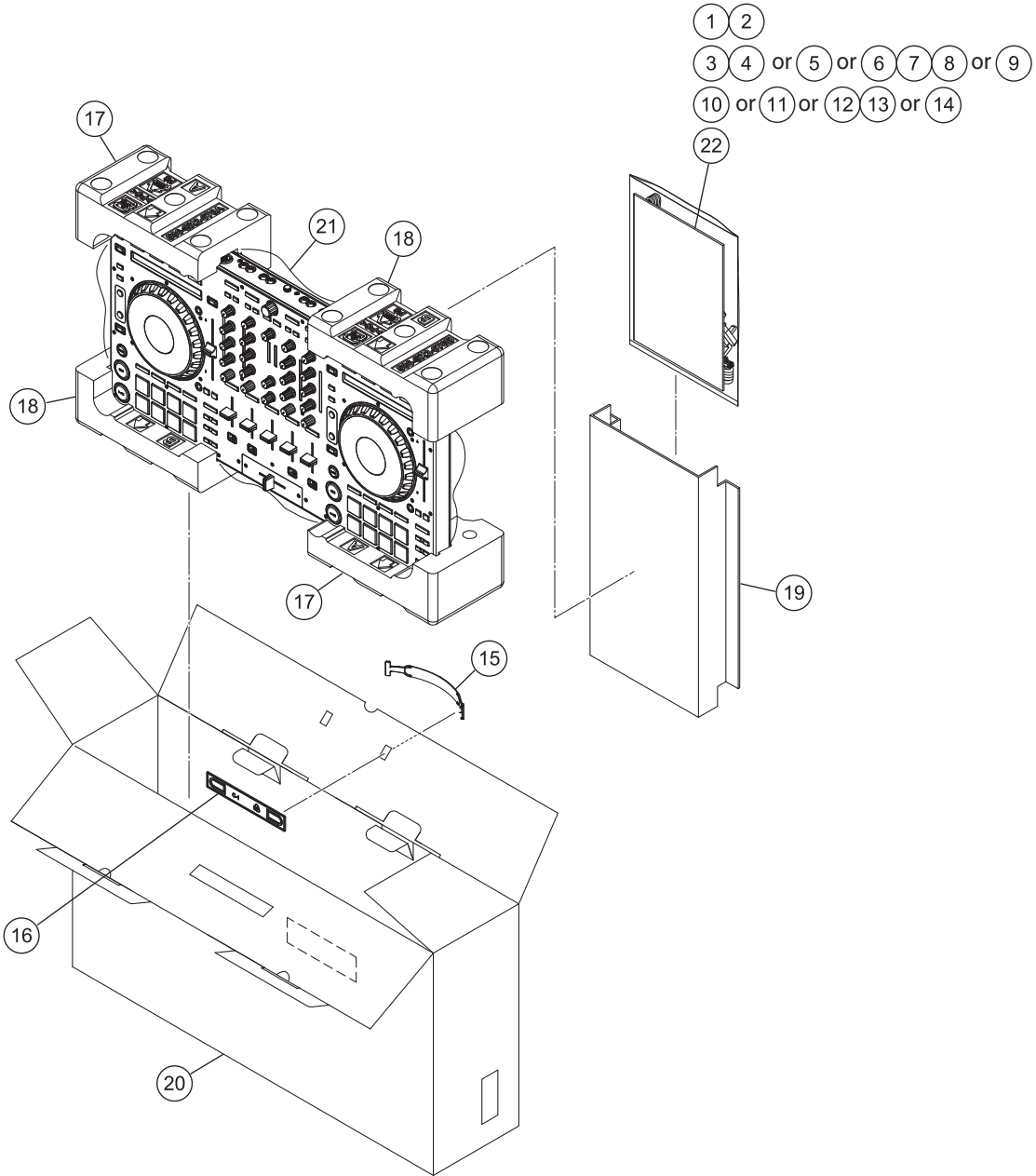
● The \triangle mark found on some component parts indicates the importance of the safety factor of the part. Therefore, when replacing, be sure to use parts of identical designation.

● Screws adjacent to ∇ mark on product are used for disassembly.

● For the applying amount of lubricants or glue, follow the instructions in this manual.

(In the case of no amount instructions, apply as you think it appropriate.)

9.1 PACKING SECTION



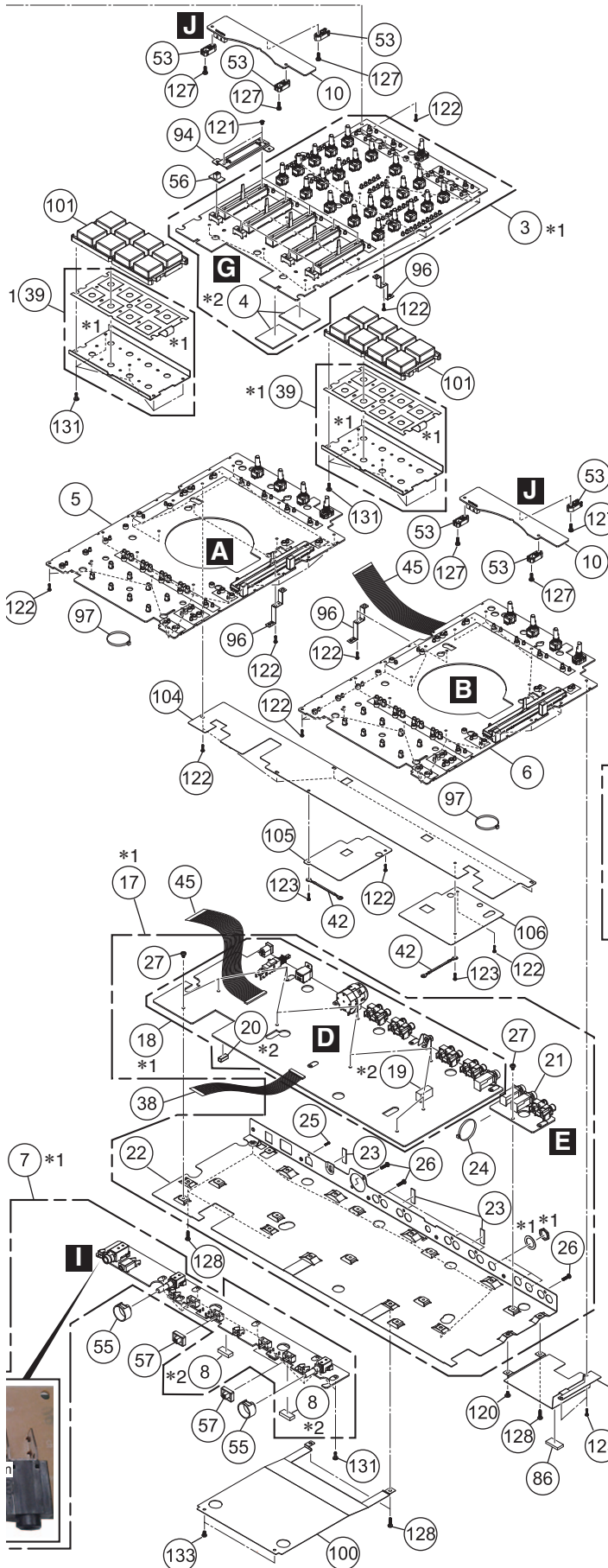
(1) PACKING SECTION PARTS LIST

<u>Mark No.</u>	<u>Description</u>	<u>Part No.</u>	<u>Mark No.</u>	<u>Description</u>	<u>Part No.</u>
	1 USB Cable (L = 1500 mm)	408-SUB-132	16	Handle Base	100-SX-3018
⚠	2 AC Adapter	411-S1MK2-930	17	Polyfoam A	506-SX2-676A
⚠	3 Power Plug	See Contrast table (2)	18	Polyfoam B	506-SX2-676B
⚠	4 Power Plug	See Contrast table (2)	19	Pasterboard	507-S1-3372-HA
⚠	5 Power Plug	See Contrast table (2)	20	Gift Box	See Contrast table (2)
⚠	6 Power Plug	See Contrast table (2)	21	Soft Bag	509-DDJSX-320-HA
⚠	7 Power Plug	See Contrast table (2)	22	PE Bag (240*340mm, 0.05T)	505-DJM250-014-HA
⚠	8 Power Plug	See Contrast table (2)			
⚠	9 Power Plug	See Contrast table (2)			
	10 Quick Start Guide	See Contrast table (2)			
	11 Quick Start Guide	See Contrast table (2)			
	12 Quick Start Guide	See Contrast table (2)			
	13 Quick Start Guide	See Contrast table (2)			
	14 Quick Start Guide	See Contrast table (2)			
	15 Handle	100-SX-3017			

(2) CONTRAST TABLE

DDJ-SX2/SVYXE8, UXECB, FJKLPXE5 and AXE5 are constructed the same except for the following:

<u>Mark</u>	<u>No.</u>	<u>Symbol and Description</u>	<u>DDJ-SX2 /SVYXE8</u>	<u>DDJ-SX2 /UXECB</u>	<u>DDJ-SX2 /FJKLPXE5</u>	<u>DDJ-SX2 /AXE5</u>
⚠	3	Power Plug	420-DJM250-362-HA	Not used	420-DJM250-362	Not used
⚠	4	Power Plug	420-DJM250-407	Not used	420-DJM250-407	Not used
⚠	5	Power Plug	Not used	420-DJM250-361	Not used	Not used
⚠	6	Power Plug	Not used	Not used	420-DJM250-363-HA	Not used
⚠	7	Power Plug	Not used	Not used	420-DJM250-364-HA	Not used
⚠	8	Power Plug	Not used	Not used	420-DJM250-409	Not used
⚠	9	Power Plug	Not used	Not used	Not used	420-DJM250-408
	10	Quick Start Guide (En, Fr, De, It, NI, Es, Pt, Ru)	502-DJSXM2B-3417A	Not used	Not used	Not used
	11	Quick Start Guide (En)	Not used	502-DJSXM2A-3416	Not used	Not used
	12	Quick Start Guide (En, Es, Ja)	Not used	Not used	502-DJSXM2F-3419	Not used
	13	Quick Start Guide (Ko)	Not used	Not used	502-DJSXM2F-3429	Not used
	14	Quick Start Guide (Zhc)	Not used	Not used	Not used	502-DJSXM2D-3418
	20	Gift Box	507-SX2B-3370A	507-SX2A-3370	507-SX2F-3370A	507-SX2D-3370



*1: The parts in a frame will be supplied as an Assy.
Parts not numbered are non-service parts (NSPs).

*2: To ensure performance of the product and protection
of the parts, these parts must be attached.

(1) EXTERIOR SECTION PARTS LIST

	<u>Mark No.</u>	<u>Description</u>	<u>Part No.</u>	<u>Mark No.</u>	<u>Description</u>	<u>Part No.</u>
A	1	CR FADER PCB Assy	704-EN1000-9788	41	Top Panel Assy	703-SXMK2-1434
	2	SENSOR PCB Assy	704-PDJ33-A007-HA	42	1P Lead Wire (L = 55 mm)	406-S1MK2-1301
	3	1..MIX PCB Assy	704-S1MK2-B091	43	1P Ground Wire (L = 40 mm)	406-8001-833
	4 ²	2..Spacer (40*30*1.5)	612-SX2-450	44	Deck 1 Button	100-S1-2990-HA
	5	CONTROL PCB Assy A	704-S1MK2-A953	45	37P 1.0 FFC Cable (L = 190 mm)	406-S1MK2-1294
	6	CONTROL PCB Assy B	704-S1MK2-A954	46	Foot Mat	612-S1-445-HA
	7	1..FRONT PCB Assy	704-S1MK2-B092	47	Little Round Button	100-S1-2991-HA
	8 ²	2..Spacer	612-SX2-459	48	2 Key Button	100-S1-2992S-HA
	9 ²	2..Spacer	501-MAIE-2451	49	ON Button	100-S1-2993-HA
	10	TOUCH PCB Assy	704-S1MK2-A957	50	1, 2 Button	100-S1-2994-HA
B	11	TRANSFER PCB Assy	704-S1MK2-A960	51	PLAY SYNC Button	100-S1-2995-HA
	12	1..BAL PCB & FIXED P. Assy	704-S1MK2-A986	52	TEMPO Lens	100-S1-2998-HA
	13	2..BAL. PCB Assy	704-S1MK2-A956	53	Fixed Plate	100-S1-2999-HA
	14	2..XLR Fixed Plate	300-S1-2048-HA	54	Strain Relief Bush	100-S1-3000-HA
	15	2..Nut M3 BLK + Gear Washer	601-R2150-033-HA	55	VR Cover	100-S1-3002-HA
	16	2..Screw	602-HMD510B-198-HA	56	CF Button	100-S1-3003-HA
	17	1..I/O & FIX PLATE Assy	704-S1MK2-A985	57	Button	100-S1-3004-HA
	18	2..DSP PCB Assy	704-S1MK2-B090	58	Speed Push Button	100-S1-3005-HA
	19 ²	3..Cushion	612-SX2-362	59	FX Rotate Knob	100-S1-3006-HA
C	20 ²	3..Sponge	612-DJFA-373-HA	60	BEAT Rotate Knob	100-S1-3007-HA
	21	2..OUTPUT PCB Assy	704-S1MK2-A958	61	GAIN Rotate Knob	100-S1-3008-HA
	22	2..Output Board	300-S1-2044A	62	FILTER Rotate Knob	100-S1-3009-HA
	23	2..Sponge	612-F300-358-HA	63	BROWSER Rotate Knob	100-S1-3010-HA
	24	2..Cable Tie	504-S100-004	64	Deck 2 Button	100-S1A-2990-HA
	25	2..Screw	602-HP1010K-181-HA	65	TAP Button	100-S1A-2993-HA
	26	2..Screw	602-MK7-131-HA	66	IN/OUT Button	100-S1A-2994-HA
	27	2..Screw	602-SA12-378	67	CENSOR Button (-)	100-S1B-2989-HA
D	28	1..LED & COVER Assy	704-S1MK2-A961	68	Deck 3 Button	100-S1B-2990-HA
	29	2..LED PCB Assy	704-S1MK2-A959	69	CUE Button	100-S1B-2993-HA
	30	1..WHEEL Assy	703-S1-1383-HA	70	2X Button	100-S1B-2994-HA
	31	2..Encoder Plate	300-PROS2-848-HA	71	Deck 4 Button	100-S1C-2990-HA
	32	2..Encoder Fixed Plate	300-PROS2-851-HA	72	MASTER CUE Button	100-S1C-2993-HA
	33	2..1P Lead Wire (L = 50mm)	406-S1-1232	73	Button	100-S1C-2994-HA
	34	2..Screw	602-PROS2-363-HA	74	LOAD Button	100-S1D-2993-HA
	35	1..Clip & Lead Wire Assy	704-S1-A586	75	AUTO LOOP Button	100-S1E-2993-HA
	36	2..1P Lead Wire	406-S1-1231-HA	76	Rectangular Button	100-SX-2989S-HA
E	37	2..Clip	603-S1-394-HA	77	Key Lock Button	100-SX2-2989
	38	30P 1.0 FFC Cable (L = 120 mm)	406-S1MK2-1295	78	HOT CUE/ROLL Button	100-SX2-3156
	39	PAD & FSR Assy	704-S1MK2-A962	79	1, 2 Button	100-SX2-3159
	40	Chassis Assy (for Service)	See Contrast table (2)	80	CENSOR Button	100-SX2A-2989

*2: To ensure performance of the product and protection of the parts, these parts must be attached.

<u>Mark No.</u>	<u>Description</u>	<u>Part No.</u>	<u>Mark No.</u>	<u>Description</u>	<u>Part No.</u>	
81	HOT CUE/ROLL Button	100-SX2A-3156	106	MIC 2 Isolation Slice	501-SX2-2646	A
82	JW Ring	100-SXMK2-3152	107	CF Panel & Cushion Assy	703-SX2-1396	
83	LM Lens	100-SXMK2-3154	108	Power Knob	100-HDJ2000-1641-HA	
84	MASTER Lens	100-SXMK2-3155	109	•••••		
85	Push Button 1	100-SXMK2-3157	110	•••••		
86	Sponge	612-S1-461-HA	111	Washer	606-S1-007-HA	
87	Round Knob	100-SXMK2-3160	112	Washer	606-S1-261-HA	
88	Ground Terminal	200-S1-665-HA	113	Washer	606-DDJLE-260-HA	
89	Fixed Cover	300-33-1918-HA	114	E Type Washer	606-S1-262-HA	
90	Sensor Fixed Plate	300-HDJ9800-981-HA	115	Nut (M3*P0.5)	601-A100-004-HA	B
91	Winding Fixture	300-HM510B-224-HA	116	Nut (M5,7.9*3.8mm, C1010)	601-MM1000-029-HA	
92	Dust-Proof Slice	501-HDJ9800-1648-HA	117	•••••		
93	CF Fixed Plate	300-S1-2045-HA	118	•••••		
94	CH Fader Fixed Plate	300-S1-2046-HA	119	Screw	602-PTP3012-571-HA	
95	JW LED Base	300-S1-2049A-HA	120	Screw	602-QMX2BPM-322-HA	
96	Ground Plate	300-S1-2051-HA	121	Screw	602-SA12-414-HA	
97	Cable Tie	504-S100-004-HA	122	Screw	602-SL24F-099-HA	
98	Shift Button	100-S1-2989-HA	123	Screw	602-CDN88-563	
99	Cover	300-S1-2059-HA	124	Screw	602-2002-077-HA	
100	Isolation Plate	300-S1-2060-HA	125	Screw	602-3113-122-HA	C
101	Velocity Soft Knob	604-SXMK2-651	126	Screw	602-A700-494-HA	
102	Sponge	612-DJFA-373-HA	127	Screw	602-B600-057-HA	
103	Windows Lens	100-S1-2985-HA	128	Screw	602-B600-072-HA	
104	Isolation Slice	501-S1-2542A	129	Screw	602-BTB3012-446B-HA	
105	MIC 1 Isolation Slice	501-SX2-2645	130	Screw	602-CTF3010-698B-HA	
			131	Screw	602-DJ5500-452-HA	
			132	Screw	602-HP1010K-182-HA	
			133	Screw	602-MP3-324-HA	
			134	Screw	602-PROS2-363-HA	D

(2) CONTRAST TABLE

DDJ-SX2/SVYXE8, UXECB, FJKLPXE5 and AXE5 are constructed the same except for the following:

Mark	No.	Symbol and Description	DDJ-SX2 /SVYXE8	DDJ-SX2 /UXECB	DDJ-SX2 /FJKLPXE5	DDJ-SX2 /AXE5
	40	Chassis Assy (for Service)	705-SXMK2-1592	705-SXMK2-1592	705-SXMK2-1592	705-SXMK2D-1593

12. PCB PARTS LIST

NOTES: ● Parts marked by "NSP" are generally unavailable because they are not in our Master Spare Parts List.

● The \triangle mark found on some component parts indicates the importance of the safety factor of the part. Therefore, when replacing, be sure to use parts of identical designation.

- Although the cables that are directly mounted on each PCB Assy are listed individually as electrical parts of the corresponding PCB Assy in the parts list, those cables are included with each PCB Assy for service when it is supplied.
- Parts not described here are not registered as service parts. In principle, such parts cannot be supplied as service parts.

Mark	No.	Description	Part No.
LIST OF ASSEMBLIES			
	1..	CR FADER PCB ASSY	704-EN1000-9788
	1..	SENSOR PCB ASSY	704-PDJ33-A007-HA
	1..	MIX PCB ASSY	704-S1MK2-B091
	1..	CONTROL PCB ASSY A	704-S1MK2-A953
	1..	CONTROL PCB ASSY B	704-S1MK2-A954
	1..	FRONT PCB ASSY	704-S1MK2-B092
	1..	TOUCH PCB ASSY	704-S1MK2-A957
	1..	TRANSFER PCB ASSY	704-S1MK2-A960
	1..	I/O & FIX PLATE ASSY	704-S1MK2-A985
	2..	DSP PCB ASSY	704-S1MK2-B090
	2..	OUTPUT PCB ASSY	704-S1MK2-A958
	1..	BAL. PCB & FIXED PLATE ASSY	704-S1MK2-A986
	2..	BAL. PCB ASSY	704-S1MK2-A956
	1..	LED & COVER ASSY	704-S1MK2-A961
	2..	LED PCB ASSY	704-S1MK2-A959

Mark	No.	Description	Part No.
A		CONTROL PCB ASSY A	
B		CONTROL PCB ASSY B	
SEMICONDUCTORS			
	IC511		417-DDJLE-1078
	IC500-504,508-510		417-DDJLE-1080
	IC506		417-MP3-429
	IC507		417-RMP3-936
	Q500-502		416-MC6000-374
	D515,531		410-S1MK2-441
	D523-530,533-540		410-S1MK2-443
	D547-574,577,582		414-CD1000-075A-HA
	ZD500,575		414-RMP3-285-HA
	D514		410-CDI600-357T
	D500,501,503-513,516,519-522		410-DJ5000-253T
	D532,541-546		410-DJ5000-253T
	D517		410-HDJ2000-162T
	D518		410-SR-437

MISCELLANEOUS

SW529	ENCODER	403-DDJLE-418-HA
CN502	10P FFC CONNECTOR	404-CDMIX2-1142
CN501	4P SOCKET	404-DCM270E3-878A-HA
CN2B	37P 1.0 FFC SOCKET (for CONTROL PCB ASSY A)	404-S1-3740
CN3B	37P 1.0 FFC SOCKET (for CONTROL PCB ASSY B)	404-S1-3740

Mark	No.	Description	Part No.
	CN142	P 2.5 CONNECT WIRE	404-S1MK2-3883
	W500	6P 2.0 CONNECT WIRE LEAD WIRE	404-S1MK2-3886 406-HF6011B-523
		CHASSIS TO CHASSIS1P GROUNDING WIRE	406-S1-1239-HA
	L500	INDUCTANCE	415-USOLOPA-342-HA
	L501	CHIP BEAD	415-COMBO-421
	L502	CHIP BEAD	415-EN2000-376
	SW527,528	TACT SW	403-DDJLE-416-HA
	SW500-526,530	TACT SW	403-DDJLE-419-HA
RESISTORS			
	R557		412-3113-078-HA
	VR500-502	ROTARY VR (20KB)	418-S1-694-HA
	P500	SLIDE VR (10*2)	418-S1-695-HA
	R517,518,532,533,535,536,538,539		412-CDVD2001-554
	R541,574,591,593,594,596,597,599		412-CDVD2001-554
	R600,602,603,605		412-CDVD2001-554
CAPACITORS			
	C523,537		413-CDN34-355-HA
	C521,522		413-CDVD2001-265-HA
	C524-527		413-HMA2200-5017-HA
	C508		413-SPPW3-235-HA
	C500-505,507,511-514,518-520		413-DCM280-773
	C528,538-543,549,550,557		413-DCM280-773

C TRANSFER PCB ASSY

MISCELLANEOUS

6P SOCKET	404-90V1-101
-----------	--------------

D DSP PCB ASSY

SEMICONDUCTORS

IC13	417-3113-018-HA
IC40	417-CDN34A-314
\triangle IC16,39	417-200USB-1071
IC20	417-22SM-982
\triangle IC18,41	417-CTB200-500-HA
IC21	417-DAIA-711
IC19	417-HDJ2000-503-HA
\triangle IC28	417-IQ2UM-1004-HA
IC30-33	417-IQ2UM-940-HA
IC29	417-IQ2UM-941
IC22,26,27	417-IQ2UM-970A-HA
\triangle IC17	417-PDJ33-1045-HA
IC1-12,37,43,44	417-ST150-599-HA
IC14	417-DJM250-1054-HA
Q9,10,12,13,15,16,21-24,29-32,35-46	416-3000-378-HA

Mark	No.	Description	Part No.
A	Q4,7,17,18		416-CDN88-044-HA
	Q6		416-CDN88-045-HA
	Q1		416-CTB200-166-HA
	Q11,14		416-CTB200-178-HA
	Q8		416-HDJ9700-210
	Q5		416-MC6000-373
	Q2,3,47		416-UDJ200-347-HA
	D3,4,18,23		414-007USB-148-HA
	D5-7,12-14		414-CD1000-075A-HA
	ZD5		414-DDJLE-332-HA
B	D8-11,28-31,34-39		414-DJ1100G-207-HA
	ZD6-12		414-DJM4000-331-HA
	D33		414-RMP3-285-HA
	D24-27,32		414-UDJ200-284-HA

Mark	No.	Description	Part No.
	C248-254,264,269,305,364,368,374		413-DCM280-773
	C378,379,380,423,424,430,443,441		413-DCM280-773
	C442,444,471,472,478,479,482,483		413-DCM280-773
	C487,488-492,493-499,501-503		413-DCM280-773
	C508,511-522,524,525,528-532		413-DCM280-773
	C539,540,547		413-DCM280-773
	C82,106		413-MAIE-1211-HA
	C16,17,24,27,52,367,371,474,523		413-MC6000-1180
	C35,36,80,105,550,551		413-007USB-828-HA
	C180,181,210,211		413-205-958A-HA
	C182,183,212,213		413-900-934A-HA
	C37,132,178,179,208,209		413-CDVD2001-265-HA
	C350-352,425		413-CDVD2001-265-HA
	C147,244,485,486		413-DM1000-346
	C421,422		413-DV300-292-HA

MISCELLANEOUS

JK8	JACK GROUND PLATE	300-300-1171-HA
SW1	FIXED PLATE (M3*P0.5)	300-4500-2010A-HA
JK2	USB FIXED PLATE	300-S1-2069-HA
SW1	POWER SWITCH	403-VP9812-162-HA
CN8	5P SOCKET	404-1210S-094A-HA

C420		413-6K2-1296
C148,245		413-HC1421FR-277
C38,109,169,199,229,263		413-HMA2200-5017-HA
C6,12		413-HT8015-169-HA
C81,104,354-361		413-HT801K-192-HA

CN7	6P SOCKET	404-3113-052A-HA
CN5A,5B	8P SOCKET	404-DV300-506A
CN6,12,13	3P SOCKET	404-HP1010K-259A-HA
CN14A,14B	2P 2.5 SOCKET	404-KMD1500-607A
CN4A	7P CONNECTOR WIRE	404-S1-3760-HA

C286,287,298-301,330-333		413-HT801K-193-HA
C526,527		413-KT300-102
C13,266,280,281,304,317-324		413-MC6000-1191-HA
C363,366		413-MC6000-1191-HA
C362		413-QSPAND-632-HA

W9	4P 2.0 CONNECT WIRE	404-S1MK2-3885
L8	INDUCTANCE	415-IM-302
L1	CHOKO COIL	415-KM280A-021
L20	CORE	415-MC2-401-HA
L11	CORE	415-PDJ33-381-HA

C5,167,168,176,177,197,198,206		413-SPPW3-235-HA
C207,227,228,261,262,336		413-SPPW3-235-HA
C163,164,193,194,223,224,257,258		413-SPPW3-236-HA
C342,343		413-SPPW3-237-HA
C265		413-810-920

JK11	DC POWER JACK	420-CDMIX1-078-HA
JK4-7	2P RCA JACK	420-CDN24A-051
JK3	MIC JACK	420-MH2-223-HA
JK8	MIC JACK	420-Q3433-107-HA
JK2	USB JACK	420-S1-377-HA

C475		413-X050-1058-HA
------	--	------------------

E OUTPUT PCB ASSY

MISCELLANEOUS

X1	CRYSTAL (6 MHz)	427-S1-143-HA
X2,3	CRYSTAL (24 MHz)	427-S1-144-HA
X4	CRYSTAL (24.576 MHz)	427-S1-145-HA
	FIXED PLATE ASSY	703-200U-1170A-HA
L24-32	CHIP BEAD	415-EN2000-376

	JACK GROUND PLATE	300-300-1171-HA
W6	3P CONNECTOR WIRE	404-S1-3754-HA
W8	5P 2.0 CONNECT WIRE	404-S1MK2-3881
JK9,10	3P HEADPHONE	420-CDMIX1-086
JK11	2P RCA JACK	420-CDN24A-051

L16	TDK COMMON FILTERS	415-FU800-305-HA
L15	TDK CHIP BEAD	415-FU801-316
L2,4-7,9,10,12-14,17-19,21	BEAD CORE	415-HV3500K-090-HA
L23	INDUCTOR (10UH T-26MM)	415-MPG100-047-HA

F BAL. PCB ASSY

MISCELLANEOUS

RESISTORS

R233,297		412-900-987
R228,229,292,458		412-900-994
R32,33,42,44,204,205,218,219		412-CDVD2001-554
R306-309,362,363,397,486-493		412-CDVD2001-554
R34		412-PDJ1-1291

W7	6P 2.0 CONNECT WIRE	404-S1MK2-3879
JK12,13	XLR JACK	420-S1-375A
F1,2	SMD FUSE	422-S1-111-HA

R409,410		412-CDG11-466-HA
R415,416		412-HT801K-219-HA
R411,412		412-SA12-566-HA

G MIX PCB ASSY

SEMICONDUCTORS

C1-3,7-10,15,20,23,26,30,33,34		413-DCM280-773
C39-51,59,60,63,83,84,91,107,108		413-DCM280-773
C110-131,139,140,143,144		413-DCM280-773
C154-160,170,171,184-190,200,201		413-DCM280-773
C214-220,230,231,238,239		413-DCM280-773

IC700-702		417-DDJLE-1080
IC706		417-MP3-429
IC704,705,707		417-QSPAND-432-HA
Q700		416-MC6000-374
D756-759		410-S1MK2-441
D797		414-DFX1-144-HA
D776-796		414-CD1000-075A-HA
D798		414-RMP3-285-HA
D754,755,760,761		410-CDI600-357T
D700-705,750-753,762-775		410-DJ5000-253T

Mark	No.	Description	Part No.
------	-----	-------------	----------

	D706-719		410-HDJ2000-162T
	D720-749		410-SR-437

MISCELLANEOUS

	SW719	ENCODER	403-DDJLE-418-HA
	SW720-723	SLIDE SW	403-ID-333-HA
	CN1B	30P 1.0 FFC SOCKET	404-S1-3739
	W700	CONNECTOR WIRE	404-S1-3756-HA
	W702	3P 2.0 CONNECT WIRE	404-S1MK2-3884

	W701	3P 2.0 CONNECTOR WIRE	404-S1MK2-3906
	J246	1P WIRE	406-S1MK2-1307
	SW700-718	TACT SW	403-DDJLE-419-HA

RESISTORS

	R739,740		412-3113-068-HA
	VR700-715,722	ROTARY VR (20KB)	418-S1-693-HA
	VR717,718,720,721	ROTARY VR (20KB)	418-S1-694-HA
	VR723-727	SLIDE VR	418-S1MK2-725
	VR716,719	ROTARY VR	418-S1MK2-726

CAPACITORS

	C702-704,707,709-731,736-740		413-DCM280-773
	C742-745,749,767,770		413-DCM280-773
	C708		413-3113-035-HA
	C748		413-CDN34-355-HA
	C746		413-DV300-5155-HA
	C706,747		413-HMA2200-5017-HA

H CR FADER PCB ASSY

MISCELLANEOUS

	CN01	3P SOCKET	404-KMD3500-609A-HA
		PC SHEET	501-EN2000-2469

RESISTORS

	P115	SLIDE VR	418-EN2000-427
--	------	----------	----------------

I FRONT PCB ASSY

SEMICONDUCTORS

	IC1100		417-MP3-429
--	--------	--	-------------

MISCELLANEOUS

		FIXED PLATE (M3*P0.5)	300-4500-2010A-HA
	VR1102,1103	VR FIXED PLATE	300-6000-1874-HA
		PH FIXED PLATE	300-S1-2061-HA
		FIXED PLATE	300-SC1M-1621-HA
	SW1100-1103	SLIDE SW	403-S1-420-HA

	CN9	4P SOCKET	404-DCM270E3-878A-HA
	CN4B	7P SOCKET	404-HMD5000-785A-HA
	CHASSIS	1P GROUNDING WIRE	406-S1-1240-HA
	JK1101	3P HEADPHONE JACK	420-CDMIX1-086
		SPACER	501-MAIE-2451

RESISTORS

	VR1102,1103	ROTARY VR	418-S1MK2-735
	R1100-1107		412-DFX1-653-HA
	R1108-1111		412-DV300-291-HA

CAPACITORS

	C1113,1114		413-DCM280-773
	C1103-1106,1108-1110		413-3113-035-HA
	C1111,1112		413-CDVD2001-265-HA

Mark	No.	Description	Part No.
------	-----	-------------	----------

J TOUCH PCB ASSY

SEMICONDUCTORS

	IC475		417-S1-1081
--	-------	--	-------------

MISCELLANEOUS

	W5	8P 2.0 CONNECT WIRE	404-S1MK2-3882
	L475-478	CHIP BEAD	415-JKME3-369

CAPACITORS

	C475,476		413-DCM280-773
	C477		413-MC6000-1180

K LED PCB ASSY

SEMICONDUCTORS

	IC1000-1004		417-DDJLE-1080
	Q1000		416-MC6000-374
	D1037-1044		410-HDJ9700-214
	D1000-1035		410-S1-419
	D1036		414-CD1000-075A-HA

MISCELLANEOUS

	R	1P SIGNAL WIRE	407-S1MK2-251
	B	1P SIGNAL WIRE	407-S1MK2-252
	W	1P SIGNAL WIRE	407-S1MK2-253
	BK	1P SIGNAL WIRE	407-S1MK2-254
	G	1P SIGNAL WIRE	407-S1MK2-255

	A	1P SIGNAL WIRE	407-S1MK2-256
	L1000	CHIP BEAD	415-1300-240A

CAPACITORS

	C1000-1004		413-DCM280-773
	C1006		413-MC6000-1180

SENSOR PCB ASSY

SEMICONDUCTORS

	M301		417-PS2-504
--	------	--	-------------

MISCELLANEOUS

	M301	4P CONNECTOR WIRE	404-PDJ33-3591V-HA
--	------	-------------------	--------------------