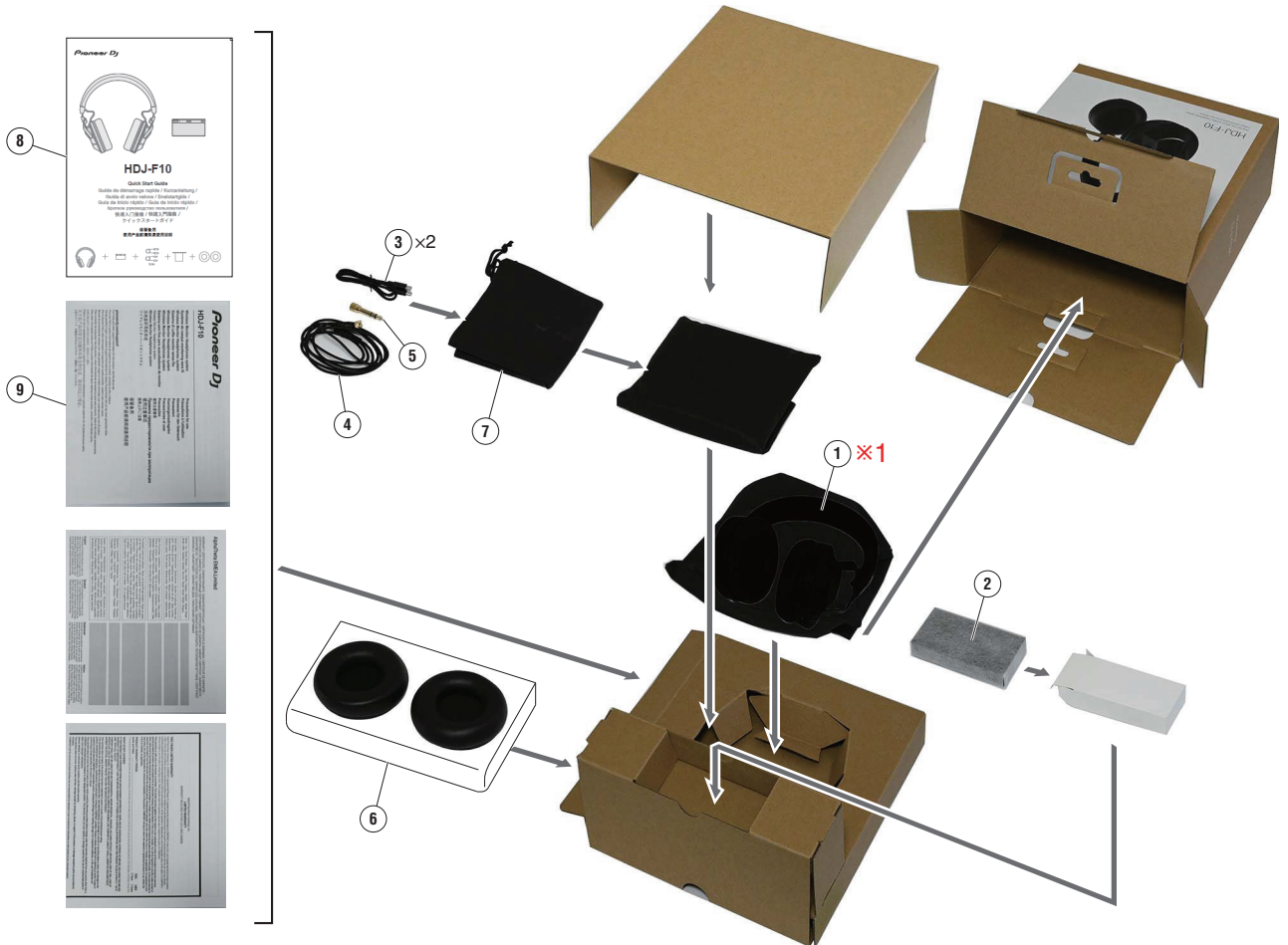


7. EXPLODED VIEWS AND PARTS LIST

- NOTES:**
- Parts marked by “NSP” are generally unavailable because they are not in our Master Spare Parts List.
 - The \triangle mark found on some component parts indicates the importance of the safety factor of the part. Therefore, when replacing, be sure to use parts of identical designation.
 - Screws adjacent to ∇ mark on product are used for disassembly.
 - For the applying amount of lubricants or glue, follow the instructions in this manual. (In the case of no amount instructions, apply as you think it appropriate.)

7.1 PACKING SECTION

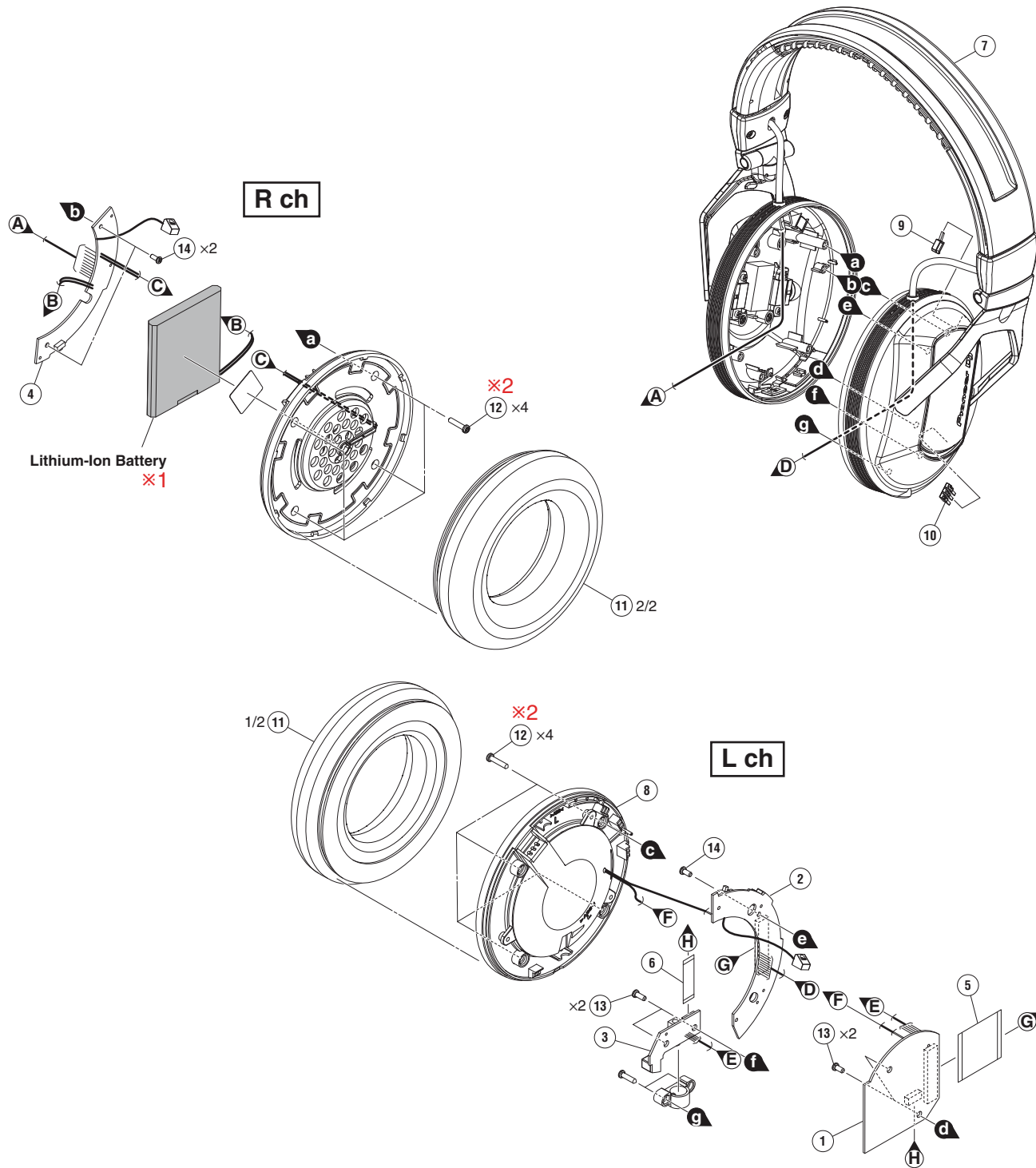


※1: In the case of battery trouble, exchange the Headphone Assy.
Headphone Assy does not include Ear pads (pair).

PACKING SECTION PARTS LIST

Mark No.	Description	Part No.	Mark No.	Description	Part No.
1	Headphone Assy	2201016360N0100	NSP 9	Precautions for Use	•••••
2	Transmitter	1003046360N0009			
3	USB charging cable (USB Type-C to USB Type-C) 0.5 m (19.69")	20030332000106D00			
4	1.6 m (62.99") straight cable	20030230000447D00			
5	ø6.3 mm (ø1/4") stereo plug adapter (threaded type)	30030150400101D			
6	1 set of spare ear pads	301001000588D01			
NSP 7	Carry pouch	•••••			
NSP 8	Quick Start Guide	•••••			

7.2 EXTERIOR SECTION



×1: In the case of battery trouble, exchange the Headphone Assy.
The Lithium-ion Battery is pasted to the SP Base Assy with DS tape.

×2: Tamper with it and use a prevention torque screw.
Use a specified torque driver for the disassembly/assembly.
(See "3.2 JIGS LIST".)

EXTERIOR SECTION PARTS LIST

<u>Mark No.</u>	<u>Description</u>	<u>Part No.</u>
1	MAIN PCB Assy	320601240126C00
2	USB PCB Assy	1003046360N0004
3	JACK PCB Assy	1003046360N0005
4	KEY PCB Assy	1003046360N0006
5	FFC (MAIN-USB)	300199900170C00
6	FFC (MAIN-MIC)	300199900169C00
7	Headband Assy	1003046360N0001
8	SP Base L Assy	1003046360N0002
9	Pairing Lens	219900636003C00
10	Battery Lens	219900636004C00
11	1 set of ear pads	301001000588D01
12	Tapping Screw T2L8 (SP BASE)	30030220010001C
13	Tapping Screw PA2L6	30030220060030D
14	Tapping Screw PB2L4	30030220040039D

A

B

C

D

E

F