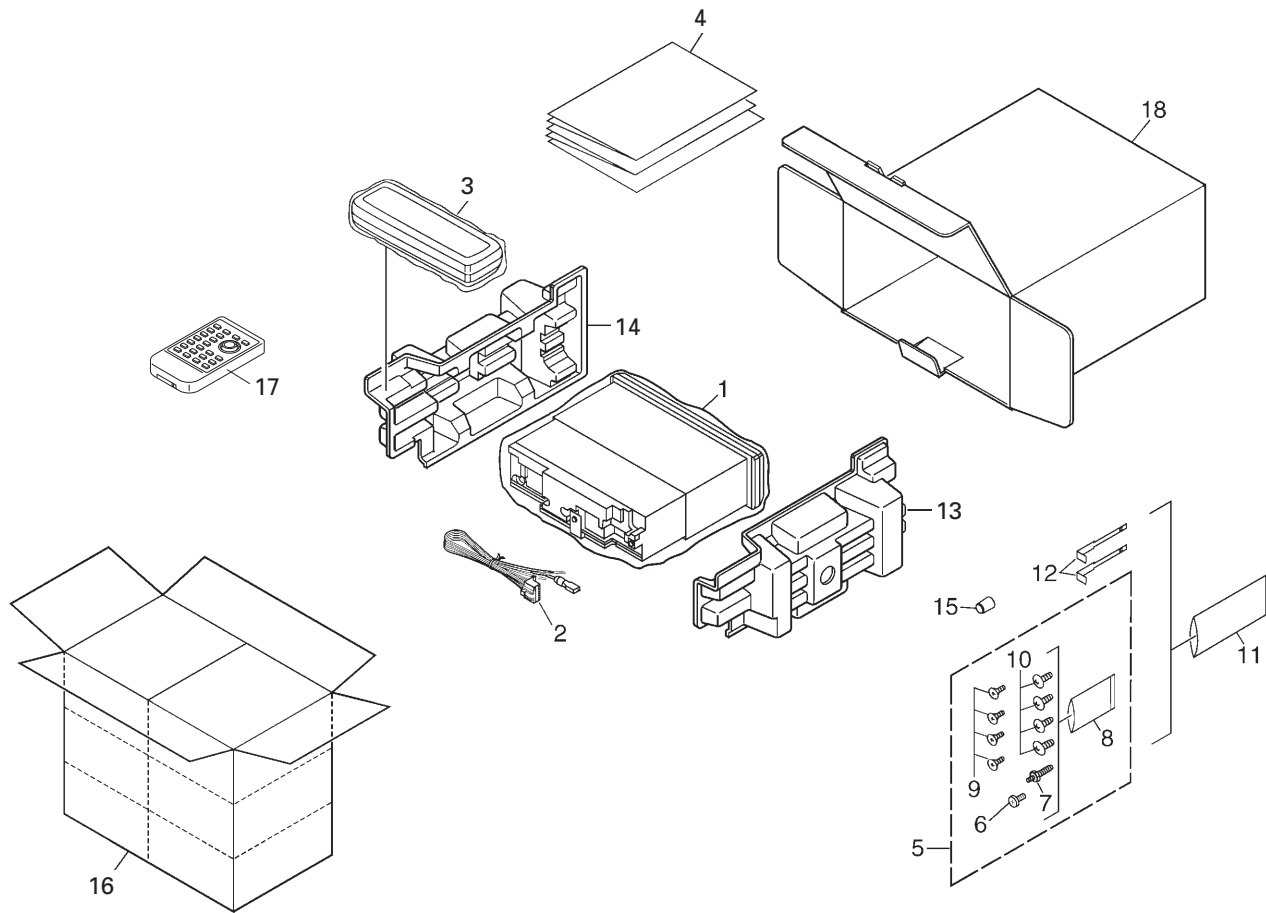


2. EXPLODED VIEWS AND PARTS LIST

NOTES : • Parts marked by " * " are generally unavailable because they are not in our Master Spare Parts List.

- The \triangle mark found on some component parts indicates the importance of the safety factor of the part. Therefore, when replacing, be sure to use parts of identical designation.
- Screw adjacent to ∇ mark on the product are used for disassembly.
- For the applying amount of lubricants or glue, follow the instructions in this manual. (In the case of no amount instructions, apply as you think it appropriate.)

2.1 PACKING



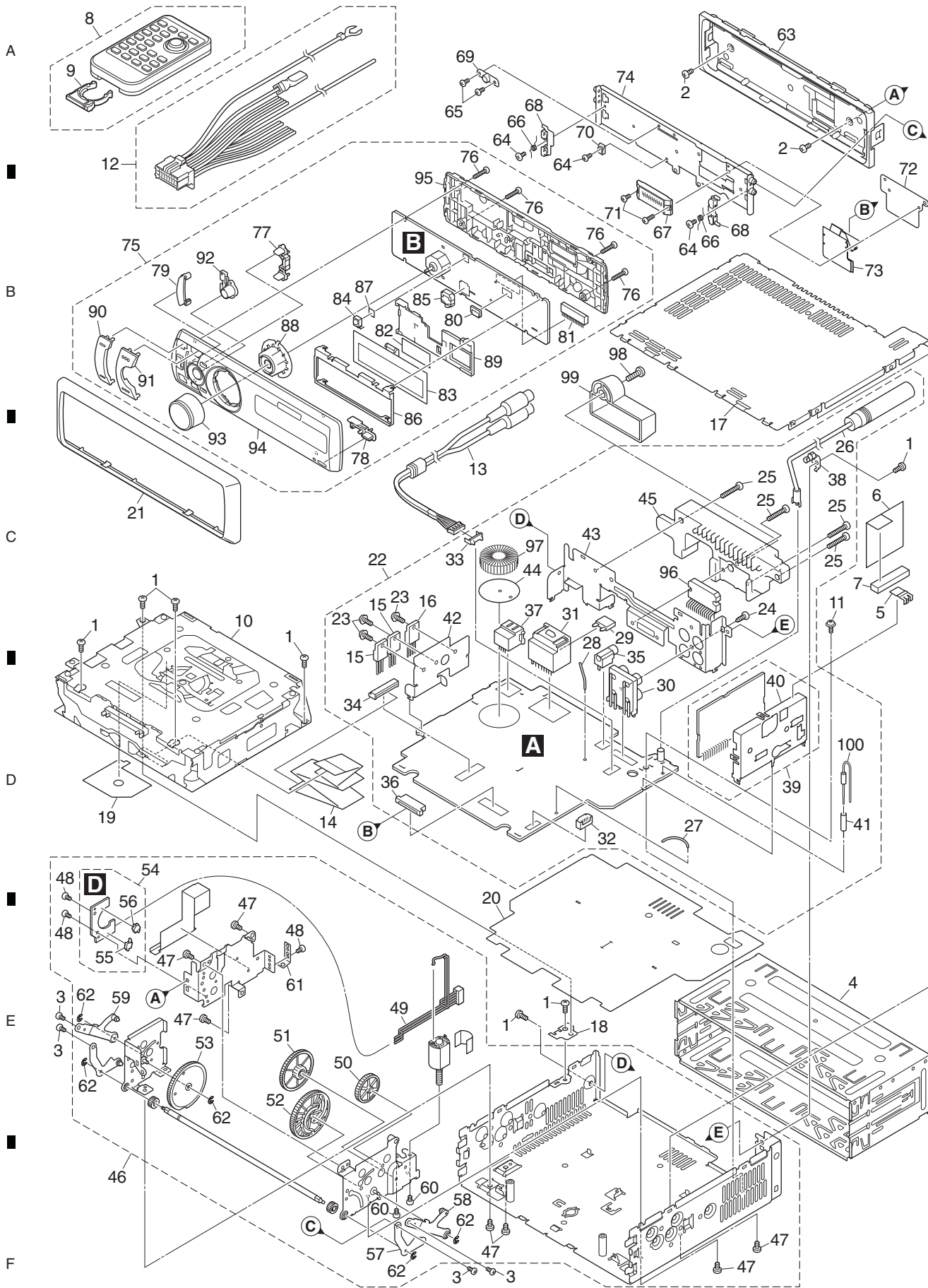
PACKING SECTION PARTS LIST

Mark	No.	Description	DEH-P680MP/XN/UC	DEH-P6800MP/XN/UC	DEH-P6850MP/XN/ES
	1	Polyethylene Bag	CEG1173	CEG1173	CEG-162
	2	Cord Assy	XDE7007	XDE7007	XDE7007
	3	Case Assy	XXA7417	XXA7417	XXA7417
	4-1	Owner's Manual	XRD7109	XRD7111	XRD7113
	4-2	Installation Manual	XRD7110	XRD7112	XRD7115
*	4-3	Caution Card	XRP7002	XRP7002	XRP7002
	4-4	Caution Card	CRP1310	CRP1310	CRP1310
*	4-5	Warranty Card	CRY1070	CRY1246	Not used
	4-6	Owner's Manual	Not used	Not used	XRD7114
*	4-7	Caution Card	Not used	CRP1294	Not used
	5	Screw Assy	CEA5322	CEA5322	CEA3849
	6	Screw	JPZ20P060FTB	JPZ20P060FTB	Not used
	7	Screw	CBA1650	CBA1650	CBA1650
*	8	Polyethylene Bag	CEG-127	CEG-127	CEG-127
	9	Screw	CRZ50P090FTC	CRZ50P090FTC	CRZ50P090FTC
	10	Screw	TRZ50P080FTC	TRZ50P080FTC	TRZ50P080FTC
*	11	Polyethylene Bag	CEG-158	CEG-158	CEG-158
	12	Handle	CNC5395	CNC5395	CNC5395
	13	Protector	XHP7008	XHP7008	XHP7008
	14	Protector	XHP7007	XHP7007	XHP7007
	15	Bush	CNV3930	CNV3930	CNV3930
	16	Contain Box	XHL7111	XHL7110	XHL7109
	17	Remote Control Assy	CXC5717	CXC5717	CXC5717
	18	Unit Box	XHG7111	XHG7110	XHG7109

Owner's Manual, Installation Manual

Part No.	Language
XRD7109,XRD7110, XRD7111,XRD7112	English,French
XRD7113	English,Spanish,Portuguese(B)
XRD7114	Arabic,Traditional Chinese
XRD7115	English,Spanish,Portuguese(B),Arabic,Traditional Chinese

2.2 EXTERIOR



(1)EXTERIOR SECTION PARTS LIST

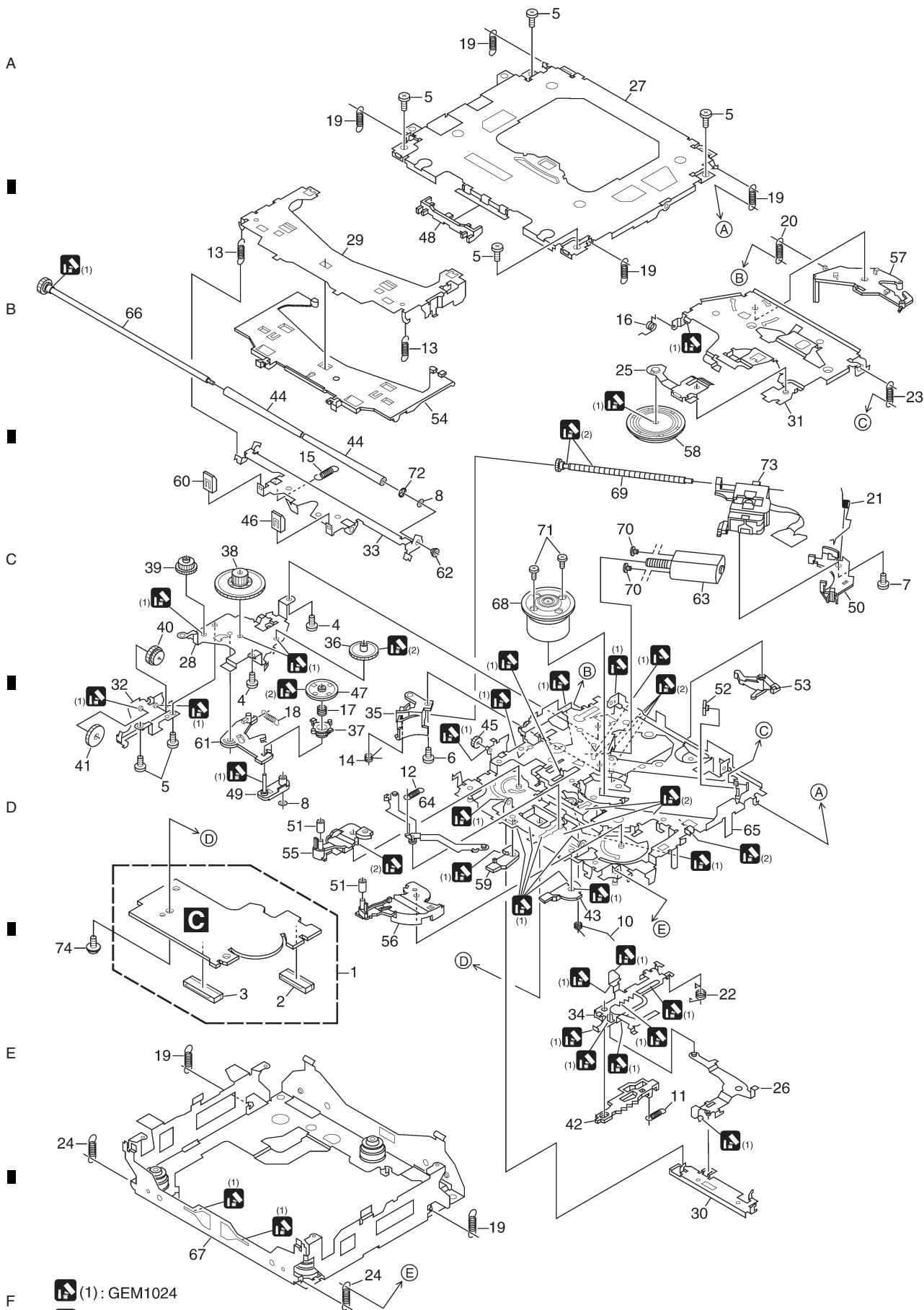
Mark No.	Description	Part No.	Mark No.	Description	Part No.
1	Screw	BSZ26P060FTC			
2	Screw(M2.6x4)	CBA1828	51	Gear	CNV7753
3	Screw(M2x2.5)	CBA1924	52	Gear	CNV7754
4	Holder	CNC8659	53	Gear	CNV7755
5	Earth Plate	CND2171	54	Switch Unit	CWS1389
			55	Switch	CSN1051
6	Insulator	CNM8790			
7	Cushion	CNM9126	56	Spring Switch	CSN1052
8	Remote Control Assy	CXC5717	57	Arm Unit	CXC2199
9	Cover	CZN5357	58	Arm Unit	CXC6623
10	CD Mechanism Module(S10.5)	CXK5752	59	Arm Unit	CXC6624
			60	Screw	JFZ20P020FTC
11	Screw	ISS26P055FTC			
12	Cord Assy	XDE7007	61	Spring	XBL7003
13	Cord Assy	XDE7013	62	Washer	YE15FTC
14	Cable	XDE7015	63	Panel Unit	See Contrast table(2)
15	Transistor(Q901,Q951)	2SD2396	64	Screw(M2x2)	CBA1871
			65	Screw	CBA1935
16	IC(IC931)	NJM2388F84			
17	Case	XNB7005	66	Spring	CBH2530
18	Holder	XNC7014	67	Connector	CKS5273
19	Insulator	XNM7106	68	Arm	CNV6962
20	Insulator	XNM7114	69	Guide	CNV6967
			70	Guide	CNV8048
21	Panel	See Contrast table(2)			
22	Tuner Amp Unit	See Contrast table(2)	71	Screw	XBA7002
23	Screw	ASZ26P060FTC	72	Holder	XNC7019
24	Screw	BPZ26P080FTC	73	FLEXIBLE PCB	XNP7026
25	Screw	BSZ26P160FTC	74	CASE UNIT	XXA7426
			75	DETACHABLE ASS'Y	See Contrast table(2)
26	Antenna Cable	CDH1336			
27	Clamper	CEF1046	76	Screw	BPZ20P080FTB
28	Clamper	CEF1048	77	Button(DISP,CLOCK)	XAC7128
⚠ 29	Fuse(10A)	CEK1208	78	Button(EJECT)	XAC7130
30	Pin Jack(CN312)	CKB1051	79	Lighting Conductor	XNV7027
			80	Connector(CN1801)	CKS5272
31	Plug(CN901)	CKM1376			
32	Plug(CN801)	CKS-786	81	Connector(CN1802)	CKS5545
33	Plug(CN311)	CKS1238	82	Double Sided Tape	CNM8673
34	Connector(CN651)	CKS3834	83	OEL UNIT	MXS8231
35	Connector(CN161)	See Contrast table(2)	84	IC(IC1811)	GP1UX31RK
			85	JACK(CN1803)	XKN7001
36	Connector(CN871)	CKS4811			
37	Connector(CN101)	CKS5271	86	Holder	XNC7009
38	Holder	CNC5399	87	Double Sided Tape	XNM7118
39	FM/AM Tuner Unit	CWE1952	88	Holder	XNV7023
40	Holder	CND1054	89	Holder	XNV7029
			90	Button Unit(EQ,SW)	XXA7377
41	Tube	XDM7001			
42	Holder	XNC7011	91	Button Unit(SRC,BAND)	XXA7379
43	Holder	See Contrast table(2)	92	Button Unit(LIST)	XXA7380
44	Insulator	XNM7031	93	KNOB UNIT	XXA7381
45	Heat Sink	XNR7001	94	SUB GRILLE ASS'Y	See Contrast table(2)
			95	COVER UNIT	XXA7428
46	DRIVE UNIT	XXA7406			
47	Screw	BMZ26P040FTC	96	IC(IC301)	PAL007B
48	Screw(M2x2)	CBA1871	97	Choke Coil(L841)	CTH1280
49	Cord	CDE7392	98	Screw	See Contrast table(2)
50	Gear	CNV7752	99	Holder	See Contrast table(2)
			100	Arrestor(AR401)	DSP-201M-S00B

(2) CONTRAST TABLE

DEH-P680MP/XN/UC , DEH-P6800MP/XN/UC and DEH-P6850MP/XN/ES are constructed the same except for the following:

Mark	No.	Description	DEH-P680MP/XN/UC	DEH-P6800MP/XN/UC	DEH-P6850MP/XN/ES
A	21	Panel	XNS7145	XNS7144	XNS7144
	22	Tuner Amp Unit	XWM7116	XWM7115	XWM7114
	35	Connector(CN161)	CKS4124	CKS4124	Not used
	43	Holder	XNC7022	XNC7022	XNC7012
	63	Panel Unit	XXA7408	XXA7407	XXA7407
	75	Detachable Assy	XXA7413	XXA7412	XXA7411
	94	Sub Grille Assy	XXA7420	XXA7419	XXA7418
	98	Screw	Not used	BMZ40P140FTC	Not used
	99	Holder	Not used	CNV7619	Not used
	B				
C					
D					
E					
F					

2.3 CD MECHANISM MODULE



(1): GEM1024
 (2): GEM1045

CD MECHANISM MODULE SECTION PARTS LIST

<u>Mark No.</u>	<u>Description</u>	<u>Part No.</u>	<u>Mark No.</u>	<u>Description</u>	<u>Part No.</u>	
			50	Rack	CNV8342	
1	CD Core Unit(S10.5COMP1)	CWX3176				A
2	Connector(CN101)	CKS4182	51	Roller	CNV8343	
3	Connector(CN901)	CKS5284	52	Holder	CNV8344	
4	Screw	BMZ20P025FTC	53	Arm	CNV8345	
5	Screw	BSZ20P040FTC	54	Guide	CNV8347	
			55	Arm	CNV8348	
6	Screw(M2 x 3)	CBA1511				
7	Screw(M2 x 4)	CBA1835	56	Arm	CNV8349	
8	Washer	CBF1038	57	Arm	CNV8350	
9	•••••		58	Clamper	CNV8365	
10	Spring	CBH2609	59	Arm	CNV8386	
			60	Guide	CNV8396	B
11	Spring	CBH2612				
12	Spring	CBH2614	61	Arm	CNV8413	
13	Spring	CBH2616	62	Collar	CNV8938	
14	Spring	CBH2617	63	Motor Unit(M2)	CXC4026	
15	Spring	CBH2620	64	Arm Unit	CXC4027	
			65	Chassis Unit	CXC4028	
16	Spring	CBH2855				
17	Spring	CBH2937	66	Gear Unit	CXC4029	
18	Spring	CBH2735	67	Frame Unit	CXC4031	
19	Spring	CBH2854	68	Motor Unit(M1)	CXC4166	
20	Spring	CBH2642	69	Screw Unit	CXC6359	C
			70	Screw	JFZ20P020FTC	
21	Spring	CBH2856				
22	Spring	CBH2857	71	Screw	JGZ17P022FTC	
23	Spring	CBH2860	72	Washer	YE20FTC	
24	Spring	CBH2861	73	Pickup Unit(P10.5)(Service)	CXX1942	
25	Spring	CBL1686	74	Screw	IMS26P030FTC	
26	Arm	CND1909				
27	Frame	CND2582				
28	Bracket	CND2583				
29	Arm	CND2584				D
30	Lever	CND2585				
31	Arm	CND2586				
32	Bracket	CND2587				
33	Arm	CND2588				
34	Lever	CND2589				
35	Holder	CNV7201				
36	Gear	CNV7207				
37	Gear	CNV7208				
38	Gear	CNV7209				E
39	Gear	CNV7210				
40	Gear	CNV7211				
41	Gear	CNV7212				
42	Rack	CNV7214				
43	Arm	CNV7216				
44	Roller	CNV7218				
45	Gear	CNV7219				
46	Guide	CNV7361				F
47	Gear	CNV7595				
48	Guide	CNV7799				
49	Arm	CNV7805				

5. ELECTRICAL PARTS LIST

NOTE:

- Parts whose parts numbers are omitted are subject to being not supplied.
- The part numbers shown below indicate chip components.

Chip Resistor

RS1/○S○○○○J,RS1/○○S○○○○J

Chip Capacitor (except for CQS.....)

CKS....., CCS....., CSZS.....

- The \triangle mark found on some component parts indicates the importance of the safety factor of the part. Therefore, when replacing, be sure to use parts of identical designation.
- Meaning of the figures and others in the parentheses in the parts list.

Example) IC 301 is on the point (face A, 91 of x-axis, and 111 of y-axis) of the corresponding PC board.

IC 301 (A, 91, 111) IC NJM2068V

<u>Circuit Symbol and No.</u>	<u>Part No.</u>	<u>Circuit Symbol and No.</u>	<u>Part No.</u>
Unit Number : XWM7116(P680MP/XN/UC)		Q 101 (B,32,110) Transistor	2SA1576
Unit Number : XWM7114		Q 102 (B,32,107) Transistor	DTC114EU
(P6850MP/XN/ES)		Q 191 (A,96,62) Transistor	DTC114EU
Unit Name : Tuner Amp Unit		Q 192 (A,87,57) Transistor	UMD2N
Unit Number : XWM7115		Q 201 (A,63,71) Transistor	2SD1767
(P6800MP/XN/UC)		Q 202 (B,67,82) Transistor	UMD2N
Unit Name : Tuner Amp Unit		Q 311 (A,149,110) Transistor	IMH3A
Unit Number :		Q 312 (B,128,125) Transistor	IMH3A
Unit Name : Keyboard Unit		Q 313 (B,142,121) Transistor	IMH3A
Unit Number : CWS1389		Q 501 (A,49,65) Transistor	2SC4081
Unit Name : Switch Unit		Q 502 (B,121,123) Transistor	DTC124EU
Unit Number : CWX3176		Q 503 (A,129,116) Transistor	UMD2N
Unit Name : CD Core Unit		Q 631 (B,150,40) Transistor	2SC3052-12
(S10.5COMP1)		Q 651 (A,16,56) Transistor	2SD2396
		Q 652 (B,32,57) Transistor	UMD2N
		Q 801 (A,151,39) Transistor	2SD1760F5
		Q 802 (B,138,29) Transistor	UMD3N
		Q 821 (A,72,23) Transistor	2SD1767
		Q 822 (B,66,13) Transistor	UMD2N
		Q 831 (B,124,37) Transistor	2SA1576
		Q 832 (B,125,33) Transistor	DTC114EU
		Q 841 (B,82,12) Transistor	DTC114EU
		Q 851 (A,28,38) Transistor	2SD1760F5
		Q 852 (B,30,38) Transistor	UMD2N
		Q 911 (A,16,69) Transistor	2SD2396
		Q 912 (B,16,82) Transistor	UMD2N
		Q 931 (A,90,116) Transistor	UMX1N
		Q 941 (A,80,125) Transistor	DTC114EU
		Q 951 (A,71,104) Transistor	2SA1576
		D 201 (A,57,87) Diode	HZS12L(B1)
		D 202 (A,125,75) Diode	RB706F-40
		D 301 (A,65,104) Diode	S5688G
		D 302 (A,61,104) Diode	S5688G
		D 501 (A,35,87) Diode	HZS9L(A2)
		D 502 (A,52,62) Diode	DAN202U
		D 503 (A,129,98) Diode	1SS133
		D 651 (A,27,59) Diode	HZS9L(A1)
		D 801 (A,141,19) Diode	HZS7L(A3)
		D 802 (A,151,15) Diode	1SS133
		D 803 (A,147,15) Diode	1SS133
MISCELLANEOUS			
IC 101 (A,17,119) IC	HA12241FP		
IC 171 (A,60,48) IC	BA3121F		
IC 201 (A,90,92) IC	PML016A		
IC 301 (A,84,132) IC	PAL007B		
IC 401 (A,151,82) IC	NJM2885DL1-33		
IC 601 (A,123,59) IC(P680MP/XN/UC)	PEG142A		
IC 601 (A,123,59) IC(P6850MP/XN/ES)	PEG143A		
IC 631 (A,154,66) IC	S-80835CNMC-B8U		
IC 801 (A,147,26) IC	BA6288FS		
IC 851 (B,43,26) IC	NJM2360M		
IC 971 (A,16,96) IC	NJM2388F84		

Circuit Symbol and No.**Part No.****Circuit Symbol and No.****Part No.**

D 821	(A,70,12) Diode	HZS11L(A1)	R 162	(A,124,120) (P680MP/XN/UC)	RS1/16S102J
D 841	(A,94,10) LED	SML412BC5T(NP)	R 163	(A,124,122) (P680MP/XN/UC)	RS1/16S103J
D 851	(A,26,29) Diode	HZS11L(A1)	R 164	(A,124,127) (P680MP/XN/UC)	RS1/16S103J
A D 852	(B,63,26) Diode	RB411D	R 165	(A,128,122) (P6850MP/XN/ES)	RS1/16S104J
D 871	(B,100,29) Diode	DAP202U	R 166	(A,127,127) (P6850MP/XN/ES)	RS1/16S104J
D 872	(B,104,29) Diode	DAN202U	R 171	(B,66,42)	RS1/16S101J
D 873	(B,104,21) Diode	DAP202U	R 172	(B,49,42)	RS1/16S101J
D 874	(B,108,21) Diode	DAN202U	R 173	(A,66,35)	RS1/16S223J
D 875	(B,109,35) Diode	DAP202U	R 174	(A,49,49)	RS1/16S223J
D 876	(B,105,35) Diode	DAN202U	R 175	(A,63,42)	RS1/16S102J
			R 176	(A,53,50)	RS1/16S102J
D 877	(B,108,30) Diode Network	DA204U	R 191	(A,97,59)	RS1/16S103J
D 901	(A,57,108) Diode	S5688G	R 192	(A,85,58)	RS1/16S682J
D 902	(A,57,104) Diode	S5688G	R 194	(A,93,62)	RS1/16S683J
D 911	(A,35,82) Diode	S5688G	R 201	(B,81,93)	RS1/16S0R0J
B D 912	(A,31,77) Diode	HZS6L(B1)	R 202	(B,76,97)	RS1/16S0R0J
D 921	(A,85,113) Diode	HZS9L(B3)	R 205	(B,98,91)	RS1/16S101J
D 922	(B,149,65) Diode Network	DA204U	R 206	(B,98,90)	RS1/16S0R0J
D 931	(A,78,113) Diode	HZS7L(C3)	R 207	(B,98,96)	RS1/16S0R0J
D 932	(A,74,108) Diode	HZS7L(A1)	R 208	(B,98,95)	RS1/16S0R0J
D 941	(A,79,121) Diode	MA111	R 209	(B,98,88)	RS1/16S0R0J
D 951	(A,60,101) Diode	DAN202U	R 210	(B,98,93)	RS1/16S0R0J
L 101	(A,22,110) Inductor	LAU2R2K	R 211	(A,80,94)	RAB4C102J
L 171	(A,63,38) Inductor	LAU2R2K	R 212	(B,66,77)	RS1/16S152J
L 201	(A,68,69) Ferri-Inductor	LAU100K	R 213	(B,90,107)	RS1/16S221J
C L 202	(A,58,76) Ferri-Inductor	LAU4R7K	R 214	(A,76,96)	RS1/16S221J
L 401	(B,175,145) Inductor	LCTAW220J2520	R 301	(B,113,129)	RS1/16S153J
L 402	(A,164,97) Inductor	LAU1R0K	R 302	(B,114,91)	RS1/16S682J
L 403	(A,165,108) Ferri-Inductor	LAU100K	R 303	(B,103,95)	RS1/16S682J
L 404	(A,161,108) Inductor	LAU1R0K	R 304	(B,103,94)	RS1/16S682J
L 601	(A,96,50) Ferri-Inductor	LAU100K	R 305	(B,103,90)	RS1/16S682J
L 651	(A,76,45) Ferri-Inductor	LAU100K	R 306	(B,119,91)	RS1/16S123J
L 831	(A,131,27) Ferri-Inductor	LAU100K	R 307	(B,107,101)	RS1/16S123J
L 852	(A,42,21) Inductor	CTF1660	R 308	(B,113,103)	RS1/16S123J
L 901	(A,37,103) Choke Coil 600µH	CTH1280	R 309	(B,119,93)	RS1/16S123J
L 951	(A,57,99) Inductor	LAU2R2K	R 311	(B,153,109)	RS1/16S390J
D X 601	(A,109,55) Radiator 10.000MHz	CSS1599	R 312	(B,143,110)	RS1/16S390J
△FU311	(B,152,126) Fuse 3A	CEK1286	R 313	(B,134,121)	RS1/16S0R0J
△FU312	(B,152,130) Fuse 3A	CEK1286	R 314	(B,126,119)	RS1/16S390J
△	Fuse 10A	CEK1208	R 315	(B,147,121)	RS1/16S390J
BZ601	(A,62,13) Buzzer	CPV1062	R 316	(B,138,121)	RS1/16S390J
AR401	(A,162,146) Surge Protector	DSP-201M-S00B	R 317	(B,151,110)	RS1/16S223J

RESISTORS

R 101	(B,20,119)	RS1/16S223J	R 318	(B,146,110)	RS1/16S223J
R 102	(B,22,119)	RS1/16S181J	R 319	(B,137,128)	RS1/16S223J
E R 103	(B,18,119)	RS1/16S102J	R 320	(B,126,129)	RS1/16S223J
R 104	(B,16,120)	RS1/16S102J	R 321	(B,143,127)	RS1/16S223J
R 105	(B,24,119)	RS1/16S222J	R 322	(B,141,127)	RS1/16S223J
R 106	(B,15,133)	RS1/16S181J	R 325	(B,129,118)	RS1/16S0R0J
R 107	(B,14,120)	RS1/16S223J	R 329	(A,152,110)	RS1/16S0R0J
R 108	(B,27,127)	RS1/16S101J	R 330	(A,145,112)	RS1/16S0R0J
R 109	(B,26,134)	RS1/16S620J	R 331	(B,132,121)	RS1/16S0R0J
R 110	(B,28,121)	RS1/16S101J	R 332	(B,129,117)	RS1/16S0R0J
R 111	(A,12,120)	RS1/16S102J	R 333	(B,146,121)	RS1/16S0R0J
R 112	(A,12,116)	RS1/16S472J	R 334	(B,136,121)	RS1/16S0R0J
R 113	(A,14,113)	RS1/16S472J	R 402	(B,167,110)	RS1/16S122J
R 114	(B,32,115)	RS1/16S223J	R 404	(B,169,125)	RS1/16S681J
F R 115	(B,32,113)	RS1/16S472J	R 405	(B,169,131)	RS1/16S681J
R 161	(A,121,127) (P680MP/XN/UC)	RS1/16S102J	R 406	(B,167,125)	RS1/16S681J
			R 407	(B,169,137)	RS1/16S681J
			R 408	(B,167,137)	RS1/16S681J
			R 501	(A,54,72)	RS1/16S683J

5		6		7		8	
<u>Circuit Symbol and No.</u>		<u>Part No.</u>		<u>Circuit Symbol and No.</u>		<u>Part No.</u>	
R 502	(A,54,69)	RS1/16S683J		R 881	(B,101,34)	RS1/16S473J	
R 503	(A,54,66)	RS1/16S223J		R 883	(B,107,16)	RS1/16S222J	
R 504	(A,49,61)	RS1/16S223J		R 884	(B,113,27)	RS1/16S472J	A
R 505	(B,121,118)	RS1/16S103J		R 885	(B,106,14)	RS1/16S222J	
R 506	(B,121,120)	RS1/16S103J		R 886	(B,112,34)	RS1/16S222J	
R 507	(B,117,122)	RS1/16S331J		R 887	(B,115,15)	RS1/16S222J	
R 508	(A,133,115)	RS1/16S102J		R 888	(B,114,34)	RS1/16S222J	
R 601	(B,135,58)	RS1/16S104J		R 889	(B,118,14)	RS1/16S222J	
R 609	(A,124,72)	RS1/16S473J		R 911	(B,20,71)	RS1/16S222J	
R 611	(A,125,47)	RS1/16S0R0J		R 912	(B,22,71)	RS1/16S223J	
R 612	(A,127,47)	RS1/16S681J		R 913	(B,17,77)	RS1/16S391J	
R 613	(A,128,47)	RS1/16S681J		R 921	(A,81,108)	RD1/4PU392J	
R 614	(B,68,21)	RS1/16S102J		R 922	(B,147,60)	RS1/16S392J	
R 615	(B,112,51)	RS1/16S473J		R 923	(B,149,60)	RS1/16S223J	B
R 619	(A,135,48)	RS1/16S104J		R 924	(B,152,60)	RS1/16S102J	
R 620	(A,135,50)	RS1/16S104J		R 931	(A,90,110)	RS1/16S473J	
R 631	(B,139,41)	RS1/16S102J		R 932	(A,90,112)	RS1/16S104J	
R 633	(B,148,45)	RS1/16S183J		R 933	(A,95,112)	RS1/16S472J	
R 634	(B,145,41)	RS1/16S473J		R 934	(A,95,114)	RS1/16S473J	
R 635	(B,139,38)	RS1/16S222J		R 935	(A,95,117)	RS1/16S103J	
R 641	(A,144,63)	RS1/16S104J		R 936	(A,98,117)	RS1/16S104J	
R 651	(A,27,55)	RD1/4PU561J		R 937	(A,91,120)	RS1/16S104J	
R 652	(A,22,63)	RD1/4PU221J		R 938	(A,57,113)	RD1/4PU102J	
R 655	(B,87,45)	RS1/16S104J		R 941	(A,61,113)	RD1/4PU102J	
R 657	(B,91,32)	RS1/16S102J		R 942	(A,84,122)	RS1/16S103J	C
R 658	(B,91,30)	RS1/16S102J		R 943	(A,84,125)	RS1/16S104J	
R 659	(B,100,42)	RS1/16S102J		R 951	(A,64,118)	RD1/4PU153J	
R 660	(B,91,40)	RS1/16S102J		R 952	(A,64,102)	RS1/16S472J	
R 661	(A,73,40)	RS1/16S102J		R 953	(A,64,100)	RS1/16S472J	
R 662	(B,93,44)	RS1/16S102J		R 954	(A,75,104)	RS1/16S102J	
R 663	(A,74,32)	RS1/16S221J		R 955	(A,75,106)	RS1/16S104J	
R 664	(A,74,37)	RS1/16S681J		R 971	(B,19,87)	RS1/16S103J	
R 665	(B,73,39)	RS1/16S104J		R 972	(B,54,66)	RS1/16S102J	
R 666	(B,90,44)	RS1/16S104J		<u>CAPACITORS</u>			
R 667	(B,94,26)	RS1/16S104J		C 101	(B,21,135)	CKSRYB104K16	
R 668	(B,73,36)	RS1/16S682J		C 102	(A,25,119)	CKSRYB473K25	
R 669	(B,73,38)	RS1/16S682J		C 171	(A,68,35)	CCSRCH471J50	
R 801	(A,137,19)	RD1/4PU561J		C 172	(A,49,46)	CCSRCH471J50	
R 802	(A,134,44)	RAB4C102J		C 173	(A,60,42)	CKSRYB105K10	
R 803	(A,141,28)	RS1/16S221J		C 174	(A,55,50)	CKSRYB105K10	
R 823	(A,80,19)	RS1/16S1R0J		C 175	(A,54,45)	CEJQ2R2M50	
R 824	(A,80,17)	RS1/16S473J		C 176	(B,62,41)	CKSRYB104K16	
R 825	(A,74,12)	RD1/4PU391J		C 178	(B,49,40)	CKSRYB472K50	
R 831	(B,118,35)	RS1/16S473J		C 179	(B,66,37)	CKSRYB472K50	
R 832	(B,120,35)	RS1/16S102J		C 180	(A,67,52)	CEJQ1R0M50	E
R 833	(B,129,27)	RS1/16S222J		C 181	(A,58,53)	CKSRYB104K16	
R 841	(B,93,14)	RS1/16S221J		C 200	(A,122,79)	CEJQ470M16	
R 851	(B,30,43)	RS1/16S331J		C 203	(B,91,69)	CKSQYB225K10	
R 852	(B,30,41)	RS1/16S331J		C 205	(A,88,68)	CEJQ470M16	
R 853	(B,47,36)	RS1/16S0R0J		C 206	(A,69,88)	CEJQ4R7M35	
R 855	(B,36,29)	RS1/16S391J		C 207	(A,76,88)	CEJQ4R7M35	
R 856	(A,55,24)	RD1/4PU272J		C 208	(A,78,100)	CEJQ4R7M35	
R 857	(B,51,29)	RS1/16S391J		C 209	(A,81,105)	CEJQ4R7M35	
R 860	(B,49,29)	RS1/16S391J		C 210	(A,123,108)	CKSRYB104K16	
R 861	(A,33,23)	RS1/16S1R0J		C 211	(A,123,106)	CKSRYB104K16	F
R 871	(A,152,52)	RS1/16S102J		C 212	(A,69,94)	CEJQ1R0M50	
R 872	(A,113,41)	RS1/16S102J		C 213	(A,62,94)	CEJQ1R0M50	
R 873	(A,152,51)	RS1/16S0R0J		C 214	(A,75,80)	CEJQ1R0M50	
R 879	(B,108,26)	RS1/16S473J					
R 880	(B,109,32)	RS1/16S104J					

Circuit Symbol and No.**Part No.****Circuit Symbol and No.****Part No.**

C 215	(A,71,100)	CEJQ1R0M50	C 661	(B,90,27)	CKSRYP105K10
			C 663	(A,73,42)	CKSRYP105K10
C 216	(A,109,79)	CEJQ100M25			
A C 218	(A,86,79)	CEJQ4R7M35	C 802	(B,133,23)	CKSRYP224K10
C 219	(A,85,105)	CEJQ4R7M35	C 803	(A,142,34)	CEAT331M10
C 220	(A,93,79)	CEJQ4R7M35	C 804	(B,154,35)	CKSRYP104K16
C 221	(A,91,105)	CEJQ4R7M35	C 805	(B,148,23)	CKSRYP102K50
			C 806	(B,155,17)	CCSRCH101J50
C 222	(A,100,79)	CEJQ4R7M35			
C 223	(A,97,105)	CEJQ4R7M35	C 807	(B,153,17)	CCSRCH101J50
C 224	(B,89,90)	CCSRCH120J50	C 821	(B,59,14)	CKSRYP473K25
C 225	(B,89,88)	CCSRCH120J50	C 841	(A,94,16)	CKSRYP104Z25
C 226	(B,93,96)	CCSRCH120J50	C 851	(B,27,40)	CKSRYP104K16
			C 852	(A,39,39)	CEJQ470M16
C 227	(B,89,92)	CCSRCH120J50			
C 230	(A,79,80)	CEJQ100M25	C 854	(A,39,31)	CEJQ101M16
B C 232	(A,80,91)	CKSRYP104K16	C 855	(B,35,23)	CKSRYP104K16
C 233	(B,121,77)	CKSRYP104K16	C 856	(B,49,21)	CCSRCH331J50
C 234	(B,87,64)	CKSRYP105K10	C 857	(B,52,29)	CKSRYP223K50
			C 861	(A,52,21)	CEJQ470M25
C 235	(B,61,85)	CKSRYP103K50			
C 236	(B,60,79)	CKSRYP104K16	C 901	(A,33,121) 3300µF/16V	CCH1486
C 237	(A,61,82)	CEJQ470M16	C 902	(B,42,127)	CKSRYP104K16
C 301	(A,116,100)	CFTNA224J50	C 903	(B,80,149)	CKSYB225K16
C 302	(A,109,110)	CFTNA224J50	C 911	(A,25,70) 470µF/16V	CCH1331
			C 912	(A,37,70) 470µF/16V	CCH1331
C 303	(A,116,110)	CFTNA224J50			
C 304	(A,109,100)	CFTNA224J50	C 913	(B,29,79)	CKSRYP472K50
C 307	(A,124,95)	CEJQ100M25	C 914	(A,33,60)	CEJQ470M10
C C 309	(B,122,109)	CKSQYB225K10	C 915	(B,29,67)	CKSRYP103K50
C 310	(B,122,104)	CKSQYB225K10	C 921	(B,151,60)	CKSRYP104K16
			C 931	(A,95,110)	CKSRYP104K16
C 311	(A,148,105)	CEJQ100M25			
C 312	(A,141,104)	CEJQ100M25	C 941	(A,69,111)	CEJQ1R0M50
C 313	(A,128,112)	CEJQ100M25	C 971	(A,25,86)	CEJQ101M16
C 314	(A,128,103)	CEJQ100M25	C 972	(B,19,97)	CKSRYP103K50
C 315	(A,135,103)	CEJQ100M25	C 973	(A,41,82)	CEJQ221M10
			C 974	(B,19,92)	CKSRYP103K50
C 316	(A,137,109)	CEJQ100M25			
C 319	(B,128,122)	CKSRYP223K50			
C 324	(B,148,141)	CKSRYP103K50			
C 401	(B,147,75)	CKSRYP104K16			
D C 402	(A,144,71)	CEJQ1R0M50			
C 403	(A,153,71)	CEJQ470M6R3			
C 407	(A,161,113)	CEJQ101M16			
C 408	(B,175,140)	CKSRYP103K50			
C 409	(B,165,131)	CCSRCH470J50			
C 411	(A,157,95)	CEJQ470M6R3			
C 412	(B,160,93)	CKSRYP103K50			
C 414	(B,172,117)	CKSRYP103K50			
C 416	(B,174,96)	CCSRCH101J50			
C 417	(B,154,94)	CCSRCH470J50			
E C 501	(A,124,101)	CEJQ330M10			
C 502	(A,131,94)	CEJQ101M16			
C 601	(A,101,55)	CEJQ4R7M35			
C 602	(B,105,57)	CKSRYP105K10			
C 604	(B,115,55)	CCSRCH200J50			
C 605	(B,113,60)	CCSRCH200J50			
C 606	(B,132,52)	CCSRCH470J50			
C 608	(A,121,73)	CCSRCH470J50			
C 631	(B,143,41)	CKSRYP105K10			
C 632	(B,147,41)	CKSRYP104K16			
C 651	(B,25,61)	CKSRYP473K25			
F C 653	(A,36,51)	CEJQ101M16			
C 654	(A,44,59)	CEJQ101M16			
C 657	(B,95,32)	CKSRYP152K50			
C 658	(B,95,30)	CKSRYP152K50			

A**Unit Number : XWM7115****(P6800MP/XN/UC)****Unit Name : Tuner Amp Unit****MISCELLANEOUS**

IC 101	(A,17,119) IC	HA12241FP
IC 171	(A,60,48) IC	BA3121F
IC 201	(A,90,92) IC	PML016A
IC 301	(A,84,132) IC	PAL007B
IC 401	(A,151,82) IC	NJM2885DL1-33
IC 601	(A,123,59) IC	PEG142A
IC 631	(A,154,66) IC	S-80835CNMC-B8U
IC 801	(A,147,26) IC	BA6288FS
IC 851	(B,43,26) IC	NJM2360M
IC 971	(A,16,96) IC	NJM2388F84
Q 101	(B,32,110) Transistor	2SA1576
Q 102	(B,32,107) Transistor	DTC114EU
Q 191	(A,96,62) Transistor	DTC114EU
Q 192	(A,87,57) Transistor	UMD2N
Q 311	(A,149,110) Transistor	IMH3A
Q 312	(B,128,125) Transistor	IMH3A
Q 313	(B,142,121) Transistor	IMH3A
Q 501	(A,49,65) Transistor	2SC4081
Q 502	(B,121,123) Transistor	DTC124EU
Q 503	(A,129,116) Transistor	UMD2N

5		6		7		8	
<u>Circuit Symbol and No.</u>		<u>Part No.</u>		<u>Circuit Symbol and No.</u>		<u>Part No.</u>	
Q 631	(B,150,40) Transistor	2SC3052-12		L 901	(A,37,103) Choke Coil 600µH	CTH1280	
Q 651	(A,16,56) Transistor	2SD2396		L 951	(A,57,99) Inductor	LAU2R2K	
Q 652	(B,32,57) Transistor	UMD2N		X 601	(A,109,55) Radiator 10.000MHz	CSS1599	A
Q 801	(A,151,39) Transistor	2SD1760F5		△FU311	(B,152,126) Fuse 3A	CEK1286	
Q 802	(B,138,29) Transistor	UMD3N		△FU312	(B,152,130) Fuse 3A	CEK1286	
Q 821	(A,72,23) Transistor	2SD1767		△	Fuse 10A	CEK1208	
Q 822	(B,66,13) Transistor	UMD2N		BZ601	(A,62,13) Buzzer	CPV1062	
Q 831	(B,124,37) Transistor	2SA1576		AR401	(A,162,146) Arrestor	DSP-201M-S00B	
Q 832	(B,125,33) Transistor	DTC114EU					
Q 841	(B,82,12) Transistor	DTC114EU					
				RESISTORS			
Q 851	(A,28,38) Transistor	2SD1760F5		R 101	(B,20,119)	RS1/16S223J	
Q 852	(B,30,38) Transistor	UMD2N		R 102	(B,22,119)	RS1/16S181J	
Q 911	(A,16,69) Transistor	2SD2396		R 103	(B,18,119)	RS1/16S102J	B
Q 912	(B,16,82) Transistor	UMD2N		R 104	(B,16,120)	RS1/16S102J	
Q 931	(A,90,116) Transistor	UMX1N		R 105	(B,24,119)	RS1/16S222J	
Q 941	(A,80,125) Transistor	DTC114EU		R 106	(B,15,133)	RS1/16S181J	
Q 951	(A,71,104) Transistor	2SA1576		R 107	(B,14,120)	RS1/16S223J	
D 202	(A,125,75) Diode	RB706F-40		R 108	(B,27,127)	RS1/16S101J	
D 301	(A,65,104) Diode	S5688G		R 109	(B,26,134)	RS1/16S620J	
D 302	(A,61,104) Diode	S5688G		R 110	(B,28,121)	RS1/16S101J	
D 501	(A,35,87) Diode	HZS9L(A2)		R 111	(A,12,120)	RS1/16S102J	
D 502	(A,52,62) Diode	DAN202U		R 112	(A,12,116)	RS1/16S472J	
D 503	(A,129,98) Diode	1SS133		R 113	(A,14,113)	RS1/16S472J	
D 651	(A,27,59) Diode	HZS9L(A1)		R 114	(B,32,115)	RS1/16S223J	C
D 801	(A,141,19) Diode	HZS7L(A3)		R 115	(B,32,113)	RS1/16S472J	
D 802	(A,151,15) Diode	1SS133		R 161	(A,121,127)	RS1/16S102J	
D 803	(A,147,15) Diode	1SS133		R 162	(A,124,120)	RS1/16S102J	
D 821	(A,70,12) Diode	HZS11L(A1)		R 163	(A,124,122)	RS1/16S103J	
D 841	(A,94,10) LED	SML412BC5T(NP)		R 164	(A,124,127)	RS1/16S103J	
D 851	(A,26,29) Diode	HZS11L(A1)		R 171	(B,66,42)	RS1/16S101J	
D 852	(B,63,26) Diode	RB411D		R 172	(B,49,42)	RS1/16S101J	
D 871	(B,100,29) Diode	DAP202U		R 173	(A,66,35)	RS1/16S223J	
D 872	(B,104,29) Diode	DAN202U		R 174	(A,49,49)	RS1/16S223J	
D 873	(B,104,21) Diode	DAP202U		R 175	(A,63,42)	RS1/16S102J	
D 874	(B,108,21) Diode	DAN202U		R 176	(A,53,50)	RS1/16S102J	D
D 875	(B,109,35) Diode	DAP202U		R 191	(A,97,59)	RS1/16S103J	
D 876	(B,105,35) Diode	DAN202U		R 192	(A,85,58)	RS1/16S682J	
D 877	(B,108,30) Diode Network	DA204U		R 194	(A,93,62)	RS1/16S683J	
D 901	(A,57,108) Diode	S5688G		R 201	(B,81,93)	RS1/16S0R0J	
D 902	(A,57,104) Diode	S5688G		R 202	(B,76,97)	RS1/16S0R0J	
D 911	(A,35,82) Diode	S5688G		R 205	(B,98,91)	RS1/16S102J	
D 912	(A,31,77) Diode	HZS6L(B1)		R 206	(B,98,90)	RS1/16S101J	
D 921	(A,85,113) Diode	HZS9L(B3)		R 207	(B,98,96)	RS1/16S101J	
D 922	(B,149,65) Diode Network	DA204U		R 208	(B,98,95)	RS1/16S101J	
D 931	(A,78,113) Diode	HZS7L(C3)		R 209	(B,98,88)	RS1/16S101J	
D 932	(A,74,108) Diode	HZS7L(A1)		R 210	(B,98,93)	RS1/16S101J	E
D 941	(A,79,121) Diode	MA111		R 211	(A,80,94)	RAB4C102J	
D 951	(A,60,101) Diode	DAN202U		R 213	(B,90,107)	RS1/16S221J	
L 101	(A,22,110) Inductor	LAU2R2K		R 214	(A,76,96)	RS1/16S221J	
L 171	(A,63,38) Inductor	LAU2R2K		R 230	(A,68,74)	RD1/4PU0R0J	
L 201	(A,68,69) Ferri-Inductor	LAU100K		R 301	(B,113,129)	RS1/16S153J	
L 202	(A,58,76) Ferri-Inductor	LAU4R7K		R 302	(B,114,91)	RS1/16S0R0J	
L 401	(B,175,145) Inductor	LCTAW220J2520		R 303	(B,103,95)	RS1/16S0R0J	
L 402	(A,164,97) Inductor	LAU1R0K		R 304	(B,103,94)	RS1/16S0R0J	
L 403	(A,165,108) Ferri-Inductor	LAU100K		R 305	(B,103,90)	RS1/16S0R0J	
L 404	(A,161,108) Inductor	LAU1R0K		R 311	(B,153,109)	RS1/16S821J	F
L 601	(A,96,50) Ferri-Inductor	LAU100K		R 312	(B,143,110)	RS1/16S821J	
L 651	(A,76,45) Ferri-Inductor	LAU100K		R 313	(B,134,121)	RS1/16S0R0J	
L 831	(A,131,27) Ferri-Inductor	LAU100K		R 314	(B,126,119)	RS1/16S821J	
L 852	(A,42,21) Inductor	CTF1660					

Circuit Symbol and No.**Part No.****Circuit Symbol and No.****Part No.**

R 315	(B,147,121)	RS1/16S821J	R 802	(A,134,44)	RAB4C102J
R 316	(B,138,121)	RS1/16S821J	R 803	(A,141,28)	RS1/16S221J
A R 317	(B,151,110)	RS1/16S223J	R 823	(A,80,19)	RS1/16S1R0J
R 318	(B,146,110)	RS1/16S223J	R 824	(A,80,17)	RS1/16S473J
R 319	(B,137,128)	RS1/16S223J	R 825	(A,74,12)	RD1/4PU391J
R 320	(B,126,129)	RS1/16S223J	R 831	(B,118,35)	RS1/16S473J
R 321	(B,143,127)	RS1/16S223J	R 832	(B,120,35)	RS1/16S102J
R 322	(B,141,127)	RS1/16S223J	R 833	(B,129,27)	RS1/16S222J
R 325	(B,129,118)	RS1/16S0R0J	R 841	(B,93,14)	RS1/16S221J
R 329	(A,152,110)	RS1/16S0R0J	R 851	(B,30,43)	RS1/16S331J
R 330	(A,145,112)	RS1/16S0R0J	R 852	(B,30,41)	RS1/16S331J
R 331	(B,132,121)	RS1/16S0R0J	R 853	(B,47,36)	RS1/16S0R0J
R 332	(B,129,117)	RS1/16S0R0J	R 855	(B,36,29)	RS1/16S391J
B R 333	(B,146,121)	RS1/16S0R0J	R 856	(A,55,24)	RD1/4PU272J
R 334	(B,136,121)	RS1/16S0R0J	R 857	(B,51,29)	RS1/16S391J
R 402	(B,167,110)	RS1/16S122J	R 860	(B,49,29)	RS1/16S391J
R 404	(B,169,125)	RS1/16S681J	R 861	(A,33,23)	RS1/16S1R0J
R 405	(B,169,131)	RS1/16S681J	R 871	(A,152,52)	RS1/16S102J
R 406	(B,167,125)	RS1/16S681J	R 872	(A,113,41)	RS1/16S102J
R 407	(B,169,137)	RS1/16S681J	R 873	(A,152,51)	RS1/16S0R0J
R 408	(B,167,137)	RS1/16S681J	R 879	(B,108,26)	RS1/16S473J
R 501	(A,54,72)	RS1/16S683J	R 880	(B,109,32)	RS1/16S104J
R 502	(A,54,69)	RS1/16S683J	R 881	(B,101,34)	RS1/16S473J
R 503	(A,54,66)	RS1/16S223J	R 883	(B,107,16)	RS1/16S222J
C R 504	(A,49,61)	RS1/16S223J	R 884	(B,113,27)	RS1/16S472J
R 505	(B,121,118)	RS1/16S103J	R 885	(B,106,14)	RS1/16S222J
R 506	(B,121,120)	RS1/16S103J	R 886	(B,112,34)	RS1/16S222J
R 507	(B,117,122)	RS1/16S331J	R 887	(B,115,15)	RS1/16S222J
R 508	(A,133,115)	RS1/16S102J	R 888	(B,114,34)	RS1/16S222J
R 602	(B,133,58)	RS1/16S104J	R 889	(B,118,14)	RS1/16S222J
R 609	(A,124,72)	RS1/16S473J	R 911	(B,20,71)	RS1/16S222J
R 611	(A,125,47)	RS1/16S0R0J	R 912	(B,22,71)	RS1/16S223J
R 612	(A,127,47)	RS1/16S681J	R 913	(B,17,77)	RS1/16S391J
R 613	(A,128,47)	RS1/16S681J	R 921	(A,81,108)	RD1/4PU392J
R 614	(B,68,21)	RS1/16S102J	R 922	(B,147,60)	RS1/16S392J
D R 615	(B,112,51)	RS1/16S473J	R 923	(B,149,60)	RS1/16S223J
R 619	(A,135,48)	RS1/16S104J	R 924	(B,152,60)	RS1/16S102J
R 620	(A,135,50)	RS1/16S104J	R 931	(A,90,110)	RS1/16S473J
R 631	(B,139,41)	RS1/16S102J	R 932	(A,90,112)	RS1/16S104J
R 633	(B,148,45)	RS1/16S183J	R 933	(A,95,112)	RS1/16S472J
R 634	(B,145,41)	RS1/16S473J	R 934	(A,95,114)	RS1/16S473J
R 635	(B,139,38)	RS1/16S222J	R 935	(A,95,117)	RS1/16S103J
R 641	(A,144,63)	RS1/16S104J	R 936	(A,98,117)	RS1/16S104J
R 651	(A,27,55)	RD1/4PU561J	R 937	(A,91,120)	RS1/16S104J
R 652	(A,22,63)	RD1/4PU221J	R 938	(A,57,113)	RD1/4PU102J
E R 655	(B,87,45)	RS1/16S104J	R 941	(A,61,113)	RD1/4PU102J
R 657	(B,91,32)	RS1/16S102J	R 942	(A,84,122)	RS1/16S103J
R 658	(B,91,30)	RS1/16S102J	R 943	(A,84,125)	RS1/16S104J
R 659	(B,100,42)	RS1/16S102J	R 951	(A,64,118)	RD1/4PU153J
R 660	(B,91,40)	RS1/16S102J	R 952	(A,64,102)	RS1/16S472J
R 661	(A,73,40)	RS1/16S102J	R 953	(A,64,100)	RS1/16S472J
R 662	(B,93,44)	RS1/16S102J	R 954	(A,75,104)	RS1/16S102J
R 663	(A,74,32)	RS1/16S221J	R 955	(A,75,106)	RS1/16S104J
R 664	(A,74,37)	RS1/16S681J	R 971	(B,19,87)	RS1/16S103J
R 665	(B,73,39)	RS1/16S104J	R 972	(B,54,66)	RS1/16S102J
R 666	(B,90,44)	RS1/16S104J			
F R 667	(B,94,26)	RS1/16S104J			
R 668	(B,73,36)	RS1/16S682J			
R 669	(B,73,38)	RS1/16S682J	C 101	(B,21,135)	CKSRYB104K16
R 801	(A,137,19)	RD1/4PU561J	C 102	(A,25,119)	CKSRYB473K25

CAPACITORS

<u>Circuit Symbol and No.</u>		<u>Part No.</u>	<u>Circuit Symbol and No.</u>		<u>Part No.</u>
C 171	(A,68,35)	CCSRCH471J50	C 412	(B,160,93)	CKSRYP103K50
C 172	(A,49,46)	CCSRCH471J50	C 414	(B,172,117)	CKSRYP103K50
C 173	(A,60,42)	CKSRYP105K10	C 416	(B,174,96)	CCSRCH101J50
			C 417	(B,154,94)	CCSRCH470J50
C 174	(A,55,50)	CKSRYP105K10			
C 175	(A,54,45)	CEJQ2R2M50	C 501	(A,124,101)	CEJQ330M10
C 176	(B,62,41)	CKSRYP104K16	C 502	(A,131,94)	CEJQ101M16
C 178	(B,49,40)	CKSRYP472K50	C 601	(A,101,55)	CEJQ4R7M35
C 179	(B,66,37)	CKSRYP472K50	C 602	(B,105,57)	CKSRYP105K10
			C 604	(B,115,55)	CCSRCH200J50
C 180	(A,67,52)	CEJQ1R0M50			
C 181	(A,58,53)	CKSRYP104K16	C 605	(B,113,60)	CCSRCH200J50
C 200	(A,122,79)	CEJQ470M16	C 606	(B,132,52)	CCSRCH470J50
C 203	(B,91,69)	CKSQYB225K10	C 608	(A,121,73)	CCSRCH470J50
C 205	(A,88,68)	CEJQ470M16	C 631	(B,143,41)	CKSRYP105K10
			C 632	(B,147,41)	CKSRYP104K16
C 206	(A,69,88)	CEJQ4R7M35			
C 207	(A,76,88)	CEJQ4R7M35	C 651	(B,25,61)	CKSRYP473K25
C 208	(A,78,100)	CEJQ4R7M35	C 653	(A,36,51)	CEJQ101M16
C 209	(A,81,105)	CEJQ4R7M35	C 654	(A,44,59)	CEJQ101M16
C 210	(A,123,108)	CKSRYP104K16	C 657	(B,95,32)	CKSRYP152K50
			C 658	(B,95,30)	CKSRYP152K50
C 211	(A,123,106)	CKSRYP104K16			
C 212	(A,69,94)	CEJQ1R0M50	C 661	(B,90,27)	CKSRYP105K10
C 213	(A,62,94)	CEJQ1R0M50	C 663	(A,73,42)	CKSRYP105K10
C 214	(A,75,80)	CEJQ1R0M50	C 802	(B,133,23)	CKSRYP224K10
C 215	(A,71,100)	CEJQ1R0M50	C 803	(A,142,34)	CEAT331M10
			C 804	(B,154,35)	CKSRYP104K16
C 216	(A,109,79)	CEJQ100M25			
C 218	(A,86,79)	CEJQ4R7M35	C 805	(B,148,23)	CKSRYP102K50
C 219	(A,85,105)	CEJQ4R7M35	C 806	(B,155,17)	CCSRCH101J50
C 220	(A,93,79)	CEJQ4R7M35	C 807	(B,153,17)	CCSRCH101J50
C 221	(A,91,105)	CEJQ4R7M35	C 821	(B,59,14)	CKSRYP473K25
			C 841	(A,94,16)	CKSRYP104Z25
C 222	(A,100,79)	CEJQ4R7M35			
C 223	(A,97,105)	CEJQ4R7M35	C 851	(B,27,40)	CKSRYP104K16
C 224	(B,89,90)	CCSRCH120J50	C 852	(A,39,39)	CEJQ470M16
C 225	(B,89,88)	CCSRCH120J50	C 854	(A,39,31)	CEJQ101M16
C 226	(B,93,96)	CCSRCH120J50	C 855	(B,35,23)	CKSRYP104K16
			C 856	(B,49,21)	CCSRCH331J50
C 227	(B,89,92)	CCSRCH120J50			
C 230	(A,79,80)	CEJQ100M25	C 857	(B,52,29)	CKSRYP223K50
C 232	(A,80,91)	CKSRYP104K16	C 861	(A,52,21)	CEJQ470M25
C 233	(B,121,77)	CKSRYP104K16	C 901	(A,33,121) 3300µF/16V	CCH1486
C 234	(B,87,64)	CKSRYP105K10	C 902	(B,42,127)	CKSRYP104K16
			C 903	(B,80,149)	CKSRYP225K16
C 301	(A,116,100)	CFTNA224J50			
C 302	(A,109,110)	CFTNA224J50	C 911	(A,25,70) 470µF/16V	CCH1331
C 303	(A,116,110)	CFTNA224J50	C 912	(A,37,70) 470µF/16V	CCH1331
C 304	(A,109,100)	CFTNA224J50	C 913	(B,29,79)	CKSRYP472K50
C 307	(A,124,95)	CEJQ100M25	C 914	(A,33,60)	CEJQ470M10
			C 915	(B,29,67)	CKSRYP103K50
C 309	(B,122,109)	CKSQYB225K10			
C 310	(B,122,104)	CKSQYB225K10	C 921	(B,151,60)	CKSRYP104K16
C 311	(A,148,105)	CEJQ4R7M35	C 931	(A,95,110)	CKSRYP104K16
C 312	(A,141,104)	CEJQ4R7M35	C 941	(A,69,111)	CEJQ1R0M50
C 313	(A,128,112)	CEJQ4R7M35	C 971	(A,25,86)	CEJQ101M16
			C 972	(B,19,97)	CKSRYP103K50
C 314	(A,128,103)	CEJQ4R7M35			
C 315	(A,135,103)	CEJQ4R7M35	C 973	(A,41,82)	CEJQ221M10
C 316	(A,137,109)	CEJQ4R7M35	C 974	(B,19,92)	CKSRYP103K50
C 319	(B,128,122)	CKSRYP472K50			
C 324	(B,148,141)	CKSRYP103K50			
C 401	(B,147,75)	CKSRYP104K16			
C 402	(A,144,71)	CEJQ1R0M50			
C 403	(A,153,71)	CEJQ470M6R3			
C 407	(A,161,113)	CEJQ101M16			
C 408	(B,175,140)	CKSRYP103K50			
C 409	(B,165,131)	CCSRCH470J50			
C 411	(A,157,95)	CEJQ470M6R3			

B**Unit Number :****Unit Name : Keyboard Unit****MISCELLANEOUS**

IC 1811	(A,12,74) IC	GP1UX31RK
IC 1831	(A,38,109) IC	S-1200B33-M5

Circuit Symbol and No.**Part No.****Circuit Symbol and No.****Part No.**

IC 1841 (B,21,95) IC PEG144A
 IC 1871 (A,22,147) IC(P680MP/XN/UC) PD8153A
 IC 1871 (A,22,147) IC(P6800MP/XN/UC) PD8154A

R 1826 (B,8,34)
 R 1827 (B,14,30)
 R 1828 (B,8,30)
 R 1829 (B,13,156)

RS1/16S221J
 RS1/16S181J
 RS1/16S221J
 RS1/16S271J

A

IC 1871 (A,22,147) IC(P6850MP/XN/ES) PD8154A
 Q 1881 (B,20,126) Transistor 2SC4617
 Q 1882 (B,25,120) Transistor 2SC2411K
 D 1811 (A,8,20) LED SML412BC5T(NP)
 D 1812 (A,8,7) LED SML412BC5T(NP)

R 1830 (B,16,156)
 R 1831 (B,19,159)
 R 1833 (A,39,101)
 R 1834 (B,28,66)
 R 1835 (B,36,93)

RS1/16S221J
 RS1/16S221J
 RS1/16S222J
 RS1/16S101J
 RS1/16S101J

D 1813 (A,10,33) LED SML412BC5T(NP)
 D 1814 (A,21,26) LED SML412BC5T(NP)
 D 1815 (A,33,33) LED SML412BC5T(NP)
 D 1816 (A,35,20) LED SML412BC5T(NP)
 D 1817 (A,35,7) LED SML412BC5T(NP)

R 1836 (B,31,94)
 R 1837 (B,39,92)
 R 1838 (B,37,102)
 R 1839 (A,12,141)
 R 1840 (B,33,143)

RS1/16S101J
 RS1/16S101J
 RAB4C101J
 RAB4C101J
 RAB4C101J

B

D 1818 (A,21,10) LED SML412BC5T(NP)
 D 1819 (A,21,72) LED SML412BC5T(NP)
 D 1820 (A,4,55) LED SML412BC5T(NP)
 D 1821 (A,39,55) LED SML412BC5T(NP)
 D 1822 (A,21,38) LED SML412BC5T(NP)

R 1841 (B,33,107)
 R 1842 (B,31,112)
 R 1843 (A,26,104)
 R 1844 (A,21,104)
 R 1845 (B,24,141)

RAB4C101J
 RAB4C101J
 RAB4C101J
 RAB4C101J
 RAB4C101J

D 1823 (A,38,156) LED SML412BC5T(NP)
 D 1831 (B,8,68) Diode 1SS355
 L 1831 (A,36,99) Inductor CTF1617
 L 1881 (B,14,145) Inductor CTF1617
 L 1882 (A,27,125) Inductor CTF1617

R 1846 (B,12,104)
 R 1847 (A,11,94)
 R 1848 (A,12,104)
 R 1849 (A,9,94)
 R 1850 (B,9,104)

RS1/16S101J
 RS1/16S101J
 RS1/16S101J
 RS1/16S101J
 RS1/16S101J

C

TH1881 (B,24,128) Thermistor CCX1037
 X 1841 (B,24,79) Ceramic Resonator 16.000MHz CSS1616
 S 1801 (A,37,159) Push Switch CSG1155
 S 1802 (A,38,148) Push Switch CSG1155
 S 1803 (A,4,22) Push Switch CSG1155

R 1851 (B,10,91)
 R 1852 (B,10,97)
 R 1853 (B,10,94)
 R 1855 (A,6,43)
 R 1856 (A,35,41)

RS1/16S473J
 RS1/16S473J
 RAB4C473J
 RS1/16S101J
 RS1/16S101J

S 1804 (A,7,33) Push Switch CSG1155
 S 1805 (A,4,7) Push Switch CSG1155
 S 1806 (A,21,30) Push Switch CSG1155
 S 1807 (A,36,33) Push Switch CSG1155
 S 1808 (A,38,7) Push Switch CSG1155

R 1857 (A,24,75)
 R 1858 (B,12,67)
 R 1859 (B,10,67)
 R 1860 (B,25,68)
 R 1863 (A,9,106)

RS1/16S101J
 RS1/16S473J
 RS1/16S154J
 RS1/16S104J
 RS1/16S103J

S 1809 (A,38,22) Push Switch CSG1155
 S 1810 (A,21,55) Switch(VOL/SEL) CSX1065
 D VR1881 (B,29,119) Semi-fixed 6.8kΩ CCP1228

R 1881 (B,20,128)
 R 1882 (B,24,127)
 R 1883 (A,24,130)
 R 1884 (A,22,130)
 R 1885 (A,25,117)

RS1/16S183J
 RS1/16S563J
 RS1/16S333J
 RS1/16S392J
 RS1/16S102J

RESISTORS

R 1801 (A,8,114) RS1/16S222J
 R 1802 (A,13,107) RS1/16S222J
 R 1804 (B,22,41) RS1/16S104J
 R 1808 (B,9,60) RS1/16S332J
 R 1809 (B,11,50) RS1/16S103J

R 1886 (A,25,118)
 R 1887 (A,25,120)
 R 1888 (A,25,121)
 R 1889 (B,24,112)

RS1/16S102J
 RS1/16S102J
 RS1/16S102J
 RS1/16S152J

R 1810 (B,9,50) RS1/16S333J
 R 1811 (B,19,38) RS1/16S103J
 R 1812 (B,30,63) RS1/16S222J
 R 1813 (B,28,63) RS1/16S103J
 R 1814 (B,17,83) RS1/16S101J

CAPACITORS

C 1805 (B,8,74) CKSYF106Z10
 C 1811 (A,10,20) CKSRYF104Z25
 C 1812 (A,10,7) CKSRYF104Z25
 C 1813 (A,12,33) CKSRYF104Z25
 C 1814 (A,21,25) CKSRYF104Z25

R 1815 (B,16,82) RS1/16S103J
 R 1816 (B,11,70) RS1/16S2R2J
 R 1817 (B,14,19) RS1/16S181J
 R 1818 (B,8,19) RS1/16S221J
 R 1819 (B,14,25) RS1/16S181J

C 1815 (A,31,34) CKSRYF104Z25
 C 1816 (A,33,20) CKSRYF104Z25
 C 1817 (A,33,7) CKSRYF104Z25
 C 1818 (A,21,12) CKSRYF104Z25
 C 1819 (A,18,71) CKSRYF104Z25

R 1820 (B,8,25) RS1/16S221J
 R 1821 (B,23,15) RS1/16S181J
 R 1822 (B,23,9) RS1/16S221J
 R 1823 (B,16,15) RS1/16S181J
 R 1824 (B,16,8) RS1/16S221J

C 1820 (A,4,52) CKSRYF104Z25
 C 1821 (A,38,60) CKSRYF104Z25
 C 1822 (A,16,38) CKSRYF104Z25
 C 1823 (A,37,154) CKSRYF104Z25
 C 1824 (B,31,67) CKSRYB473K25

R 1825 (B,14,34) RS1/16S181J

Circuit Symbol and No.**Part No.****Circuit Symbol and No.****Part No.**

C 1831 (A,38,112) CKSRYB224K10
 C 1832 (A,37,103) CKSRYB224K10
 C 1833 (A,39,98) CKSRYB103K50
 C 1834 (A,37,95) CSZSR4R7M10
 C 1837 (B,7,71) CKSRYB104K16

C 1871 (B,24,158) CKSRYB103K50
 C 1884 (A,20,130) CKSRYB104K25
 C 1885 (A,25,123) CKSRYB104K16
 C 1886 (A,22,127) CKSRYB104K25
 C 1887 (A,21,115) CKSRYB104K25

R 248 (B,55,74)
 R 307 (A,19,20)
 R 308 (A,17,20)
 R 309 (A,18,18)
 R 310 (A,17,16)

R 601 (B,30,47)
 R 602 (B,28,50)
 R 606 (B,20,54)
 R 701 (B,26,44)
 R 707 (B,32,45)

RS1/16SS105J
 RS1/16SS183J
 RS1/16SS183J
 RS1/16SS183J
 RS1/16SS183J

RS1/16S101J
 RS1/16S101J
 RS1/16S0R0J
 RS1/16SS221J
 RS1/16SS473J

D**Unit Number : CWS1389****Unit Name : Switch Unit**

Switch(OPEN SENSE) CSN1051
 Spring Switch(CLOSE SENSE) CSN1052

R 709 (A,36,35)
 R 710 (B,41,46)
 R 712 (A,45,57)
 R 713 (B,40,57)
 R 716 (B,29,37)

RS1/16SS222J
 RS1/16SS102J
 RS1/16SS222J
 RS1/16SS222J
 RS1/16SS472J

R 724 (B,31,36)
 R 726 (B,23,47)
 R 727 (B,31,42)
 R 729 (B,20,48)
 R 730 (B,20,46)

RS1/16S473J
 RS1/16SS103J
 RS1/16SS473J
 RS1/16SS223J
 RS1/16SS473J

C**Unit Number : CWX3176****Unit Name : CD Core Unit****(S10.5COMP1)**

R 740 (A,38,59)
 R 746 (A,13,38)
 R 750 (A,40,66)
 R 902 (A,20,36)
 R 905 (A,21,36)

RS1/16SS222J
 RS1/16SS104J
 RS1/16SS473J
 RS1/16SS221J
 RS1/16SS221J

MISCELLANEOUS

IC 201 (B,39,70) IC UPD63763CGJ
 IC 203 (A,12,16) IC NJM2886DL3-33
 IC 301 (A,28,18) IC BA5835FP
 IC 701 (A,32,48) IC PE5505A
 Q 101 (B,60,89) Transistor 2SA1577

R 906 (B,20,36)
 R 907 (B,16,62)
 R 908 (B,16,64)
 R 911 (B,20,32)

RS1/16SS221J
 RS1/16SS0R0J
 RS1/16SS0R0J
 RS1/16SS0R0J

Q 701 (B,24,41) Transistor UN2111
 X 201 (B,28,57) Ceramic Resonator 16.934MHz CSS1603
 X 701 (A,24,37) Ceramic Resonator 4.000MHz CSS1652
 S 901 (A,57,57) Switch(HOME) CSN1067
 S 903 (B,23,78) Switch(DSCSNS) CSN1067

CAPACITORS

C 103 (B,57,83)
 C 108 (A,47,66)
 C 201 (B,46,56)
 C 202 (B,47,58)
 C 204 (B,35,48)

CEVW101M16
 CKSSYB104K10
 CKSSYB102K50
 CKSSYB104K10
 CEVW220M6R3

S 904 (B,42,87) Switch(12EJ) CSN1068
 S 905 (B,28,88) Switch(8EJ) CSN1068

C 205 (A,34,63)
 C 208 (B,34,54)
 C 209 (B,31,57)
 C 210 (A,31,66)
 C 216 (B,53,77)

CKSSYB104K10
 CKSSYB104K10
 CKSSYB104K10
 CKSRYB105K10
 CKSSYB332K50

RESISTORS

R 101 (B,61,92) RS1/10SR2R4J
 R 102 (B,63,92) RS1/10SR2R4J
 R 103 (B,63,89) RS1/10SR2R7J
 R 104 (A,52,73) RS1/16SS102J
 R 201 (B,44,57) RS1/16SS102J

C 217 (B,52,79)
 C 218 (B,52,76)
 C 219 (B,52,74)
 C 220 (A,46,77)
 C 221 (B,51,74)

CKSSYB104K10
 CKSSYB473K10
 CKSSYB104K10
 CKSSYB182K50
 CKSSYB104K10

R 202 (A,38,62) RS1/16SS473J
 R 203 (A,37,62) RS1/16SS473J
 R 214 (A,46,79) RS1/16SS472J
 R 216 (A,46,81) RS1/16SS472J
 R 221 (A,44,81) RS1/16SS103J

C 222 (A,46,73)
 C 223 (A,44,74)
 C 224 (B,52,68)
 C 225 (A,47,67)
 C 226 (A,49,67)

CCSSCH560J50
 CCSSCH4R0C50
 CKSSYB104K10
 CKSSYB103K16
 CCSSCH680J50

R 222 (A,45,81) RS1/16SS103J
 R 225 (B,52,78) RS1/16SS103J
 R 226 (B,52,77) RS1/16SS393J
 R 227 (A,44,75) RS1/16SS562J
 R 228 (A,46,72) RS1/16SS122J

C 227 (A,48,65)
 C 228 (A,46,62)
 C 232 (A,12,31)
 C 237 (A,31,67)
 C 239 (A,46,74)

CCSSCH470J50
 CKSSYB103K16
 CKSRYB105K10
 CKSSYB104K10
 CCSSCH220J50

R 229 (A,44,72) RS1/16SS472J
 R 232 (A,46,75) RS1/16SS122J
 R 241 (B,26,63) RS1/16SS333J
 R 243 (B,26,62) RS1/16SS333J
 R 245 (B,26,69) RS1/16SS333J

C 246 (A,42,80)
 C 250 (A,42,81)
 C 251 (A,41,83)

CKSSYB104K10
 CKSRYB102K50
 CKSRYB102K50

Circuit Symbol and No.**Part No.**

	C 303	(A,18,20)	CKSSYB472K25
	C 304	(A,17,17)	CKSSYB103K16
A	C 307	(A,34,15)	CKSSYB104K10
	C 308	(A,17,30)	CKSRYB105K10
	C 601	(B,25,50)	CCSRCH102J50
	C 602	(B,26,51)	CCSRCH102J50
	C 701	(B,25,47)	CKSSYB104K10
	C 703	(B,28,42)	CKSSYB103K16
	C 706	(B,34,43)	CKSSYB104K10
	C 707	(A,36,57)	CKSSYB104K10
	C 714	(A,24,41)	CKSSYB104K10
	C 722	(B,29,45)	CKSQYB475K6R3
	C 903	(B,14,54)	CKSSYB471K50
B	C 907	(B,14,62)	CKSSYB103K16

Miscellaneous Parts List

	Pickup Unit(P10.5)(Service)	CXX1942
M 1	Motor Unit(SPINDLE)	CXC4166
M 2	Motor Unit(LOADING/CARRIAGE)	CXC4026

C

D

E

F